

Shenzhen QAS Lighting Limited

High quality,high lumen SMD Chips double copper 2oz PCB panel

Pure Silicone LED Neon Environmentally friendly and energy efficient

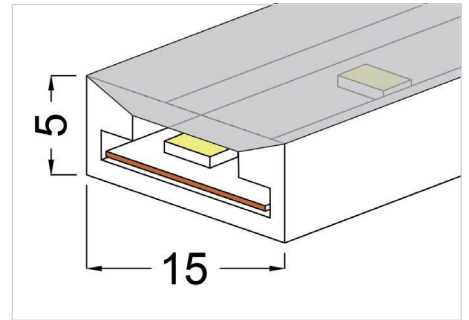
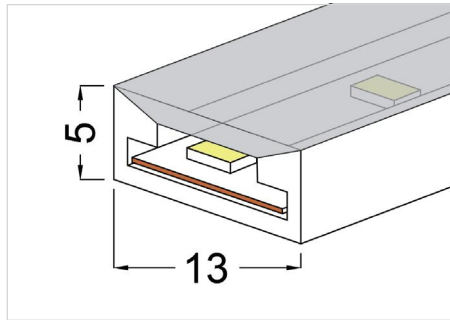
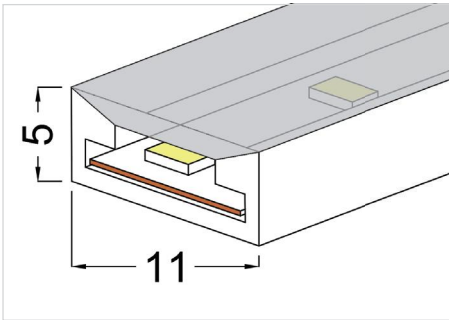
Any colors optional, high reliability and long warranty.Easy assembly and installation with DIY styles

Working temperature -60~100degree,Anti-UV & Resist harsh environment (weak acid,base&salt)

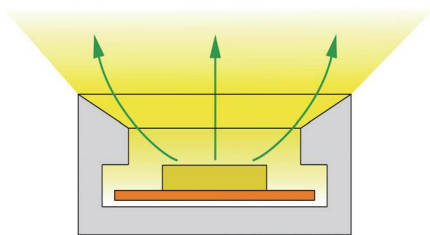
High consistency,smooth and large luminous Angle wth good diffusion effect , lighting dots free



S0511,S0513,S0515



PCB Width(mm)	8	10	12
Weight(g/m)	45	55	60
size(mm)	5*11	5*13	5*15
Beam angle		120°	
IP Grade		IP67	



Single color, RGB, RGBW 4in1 ,RGBW 5in1 or pixel digital strip workable



End cap with hole



End cap no hole

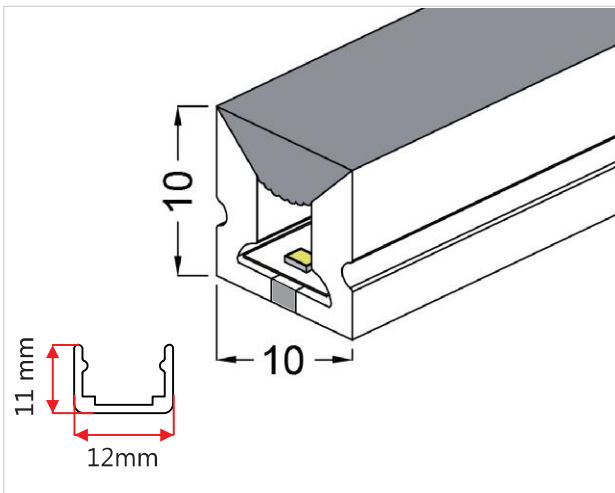
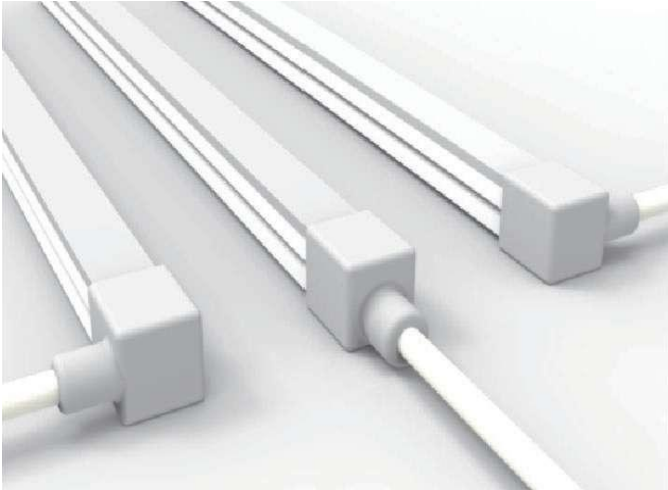


0511/0513
Plastic clip

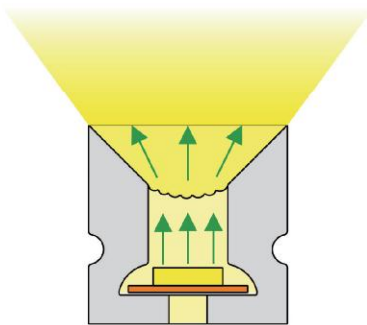


0515
Plastic clip

S1010F



PCB Width(mm)	6
Weight(g/m)	100
size(mm)	10*10
Beam angle	120°



Single color and 5v digital strip workable



End cap with hole

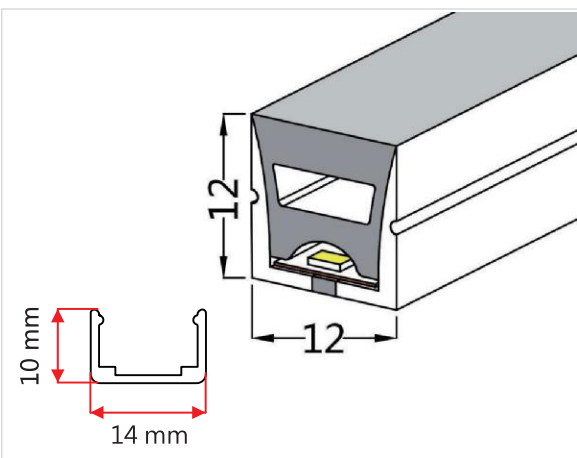
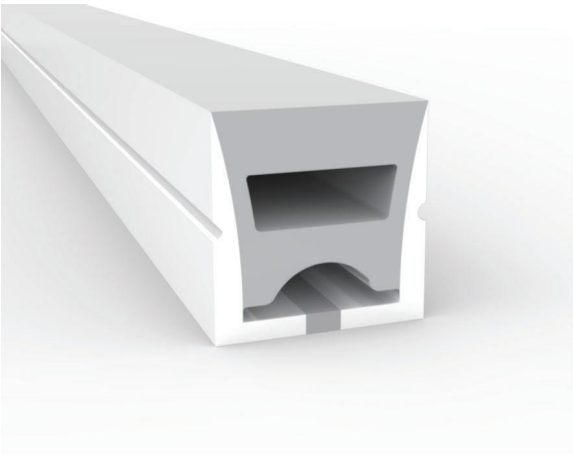
End cap no hole

Aluminum Clip

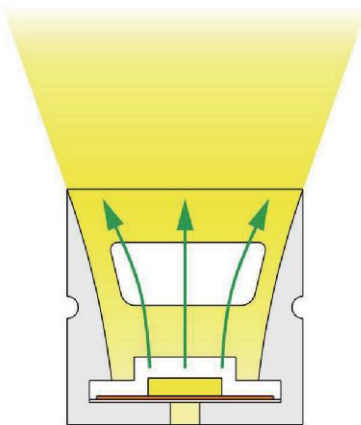
Aluminum Profile

Flexible Profile

S1212



PCB Width(mm)	8
Weight(g/m)	128
size(mm)	12*12
Beam angle	120°



Single color, RGB, pixel digital strip workable



End cap with hole

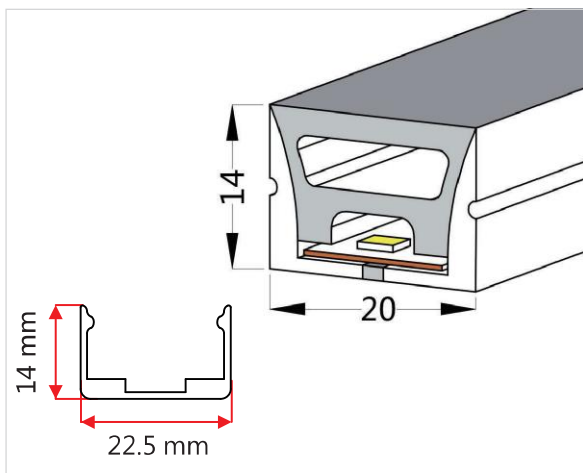
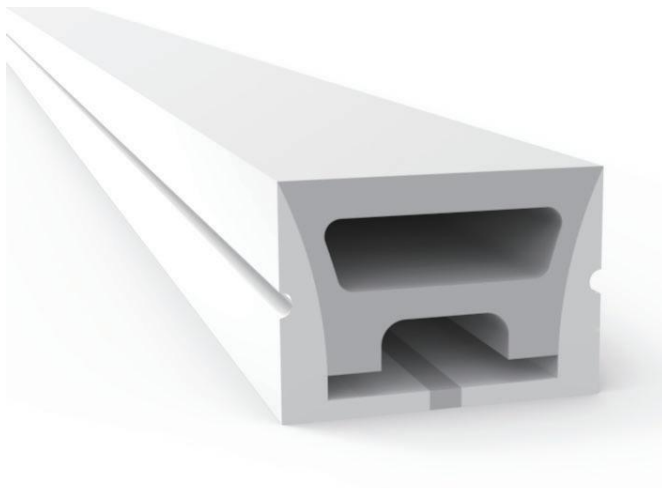
End cap no hole

Aluminum Clip

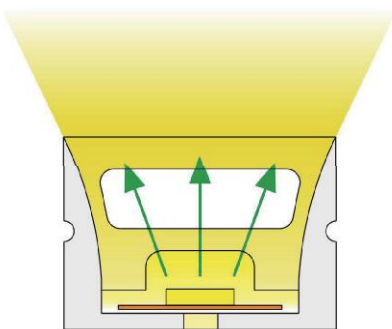
Aluminum Profile

Flexible Profile

S2014



PCB Width(mm)	12
Weight(g/m)	250
size(mm)	20*14
Beam angle	120°



Single color, RGB, RGBW 4in1 ,RGBW 5in1 or pixel digital strip workable



End cap with hole

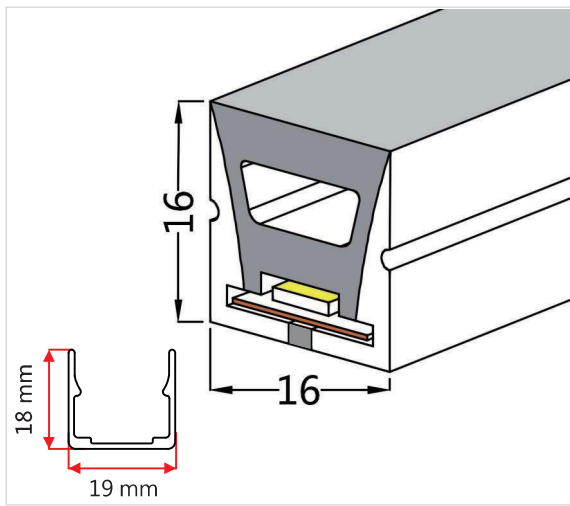
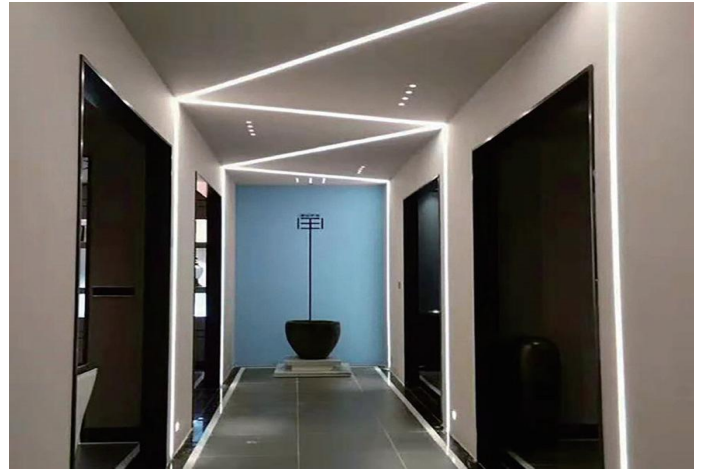
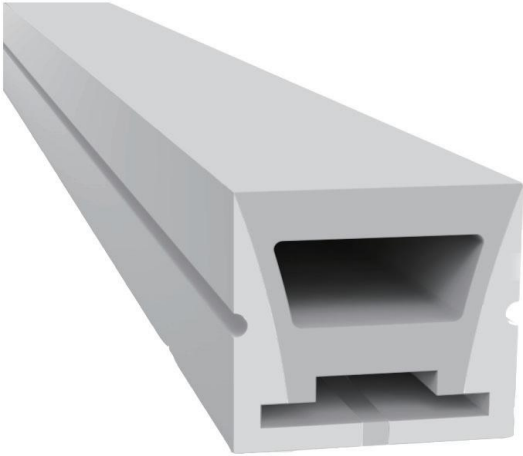
End cap no hole

Aluminum Clip

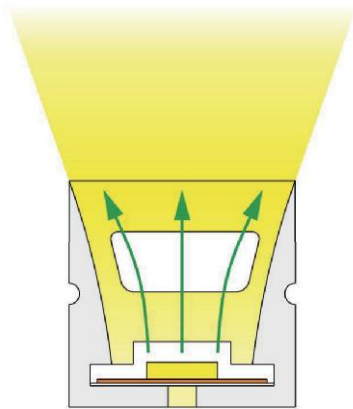
Aluminum Profile

Flexible Profile

S1616F



PCB Width(mm)	10/12
Weight(g/m)	226
size(mm)	16*16
Beam angle	120°

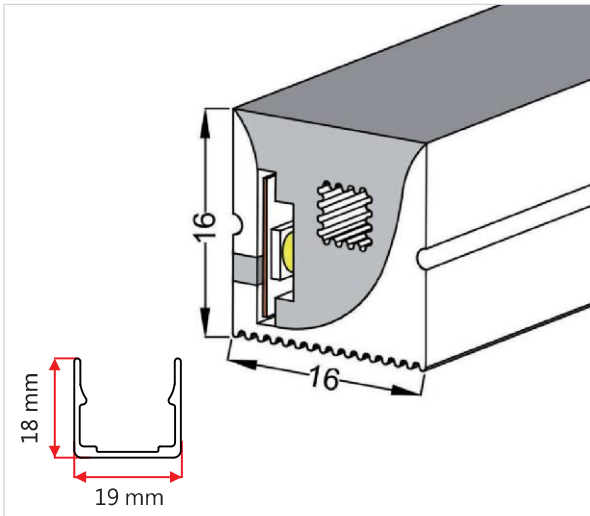
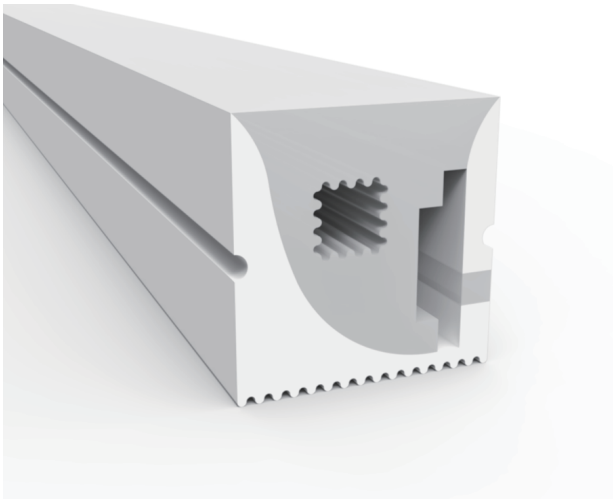


Single color, RGB, RGBW 4in1 ,RGBW 5in1 or pixel digital strip workable



End cap with hole End cap no hole Aluminum Clip Aluminum Profile Flexible Profile

S1515 S1616

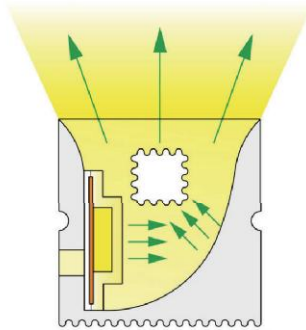
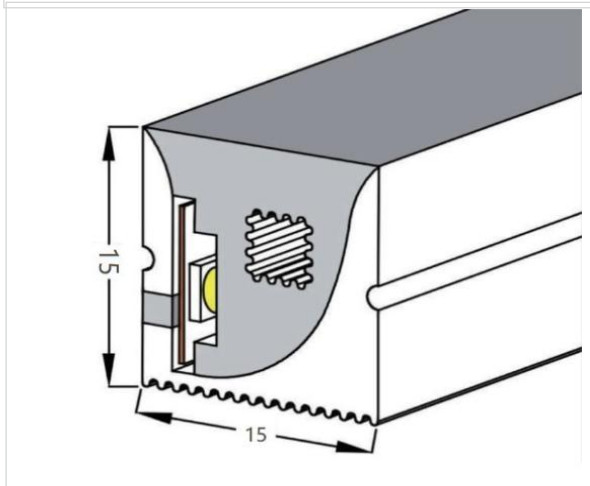


PCB Width(mm) 10/12

Weight(g/m) 276

size(mm) 16*16

Beam angle 120°



Single color, RGB, RGBW 4in1 ,RGBW 5in1 or pixel digital strip workable



End cap with hole

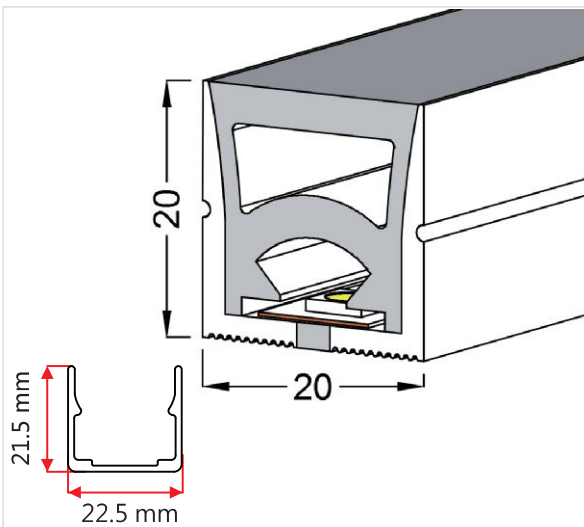
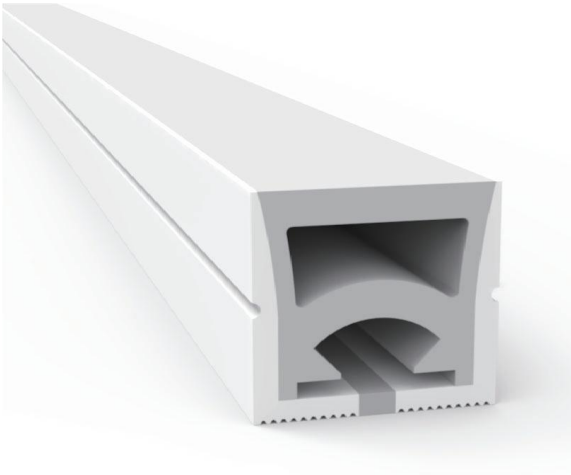
End cap no hole

Aluminum Clip

Aluminum Profile

Flexible Profile

S2020

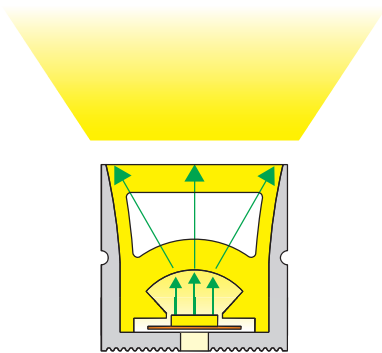


PCB Width(mm) 10/12

Weight(g/m) 320

Section size(mm) 20*20

Beam angle 120°



Single color, RGB, RGBW 4in1 ,RGBW 5in1 or pixel digital strip workable



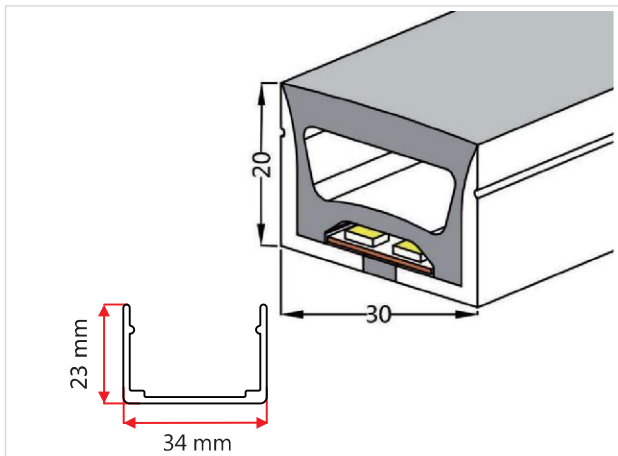
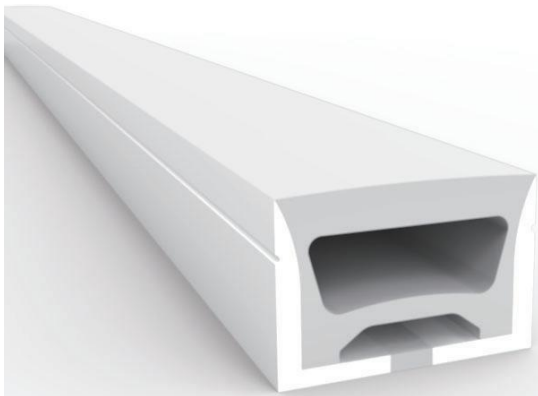
End cap with hole

End cap no hole

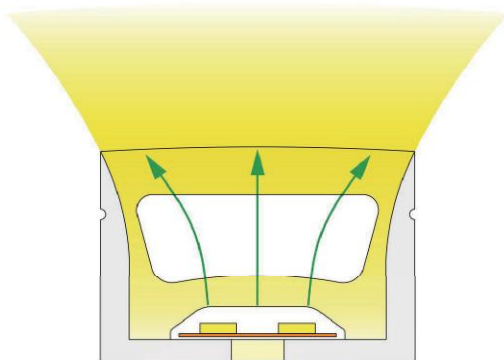
Aluminum Clip

Aluminum Profile

S3020



PCB Width(mm)	15
Weight(g/m)	490
size(mm)	30*20
Beam angle	120°



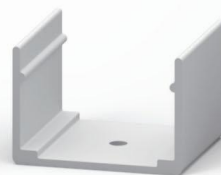
Single color, RGB, RGBW 4in1 ,RGBW 5in1 or pixel digital strip workable



End cap with hole



End cap no hole

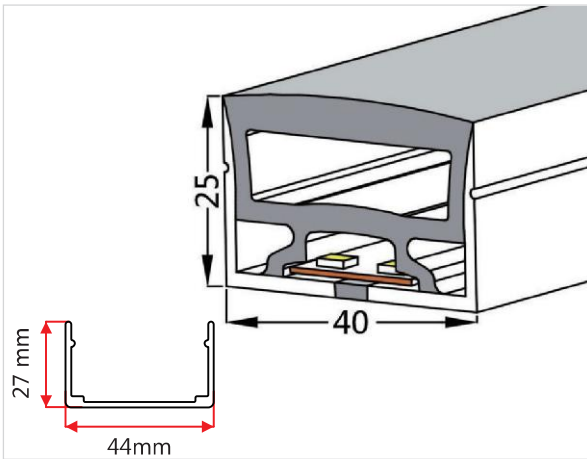


Aluminum Clip

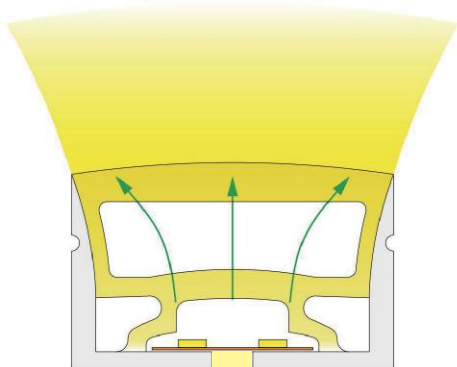


Aluminum Profile

S4025



PCB Width(mm)	20
Weight(g/m)	620
size(mm)	40*25
Beam angle	120°



Single color, RGB, RGBW 4in1 ,RGBW 5in1 or pixel digital strip workable



End cap with hole



End cap no hole

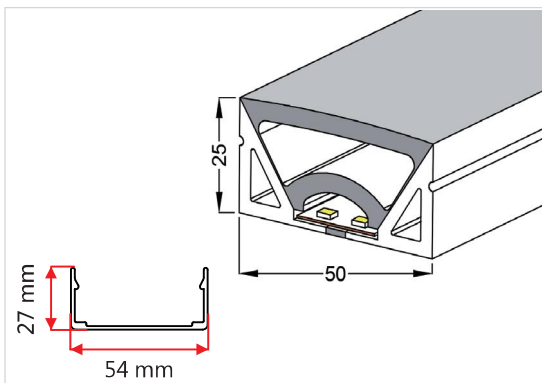
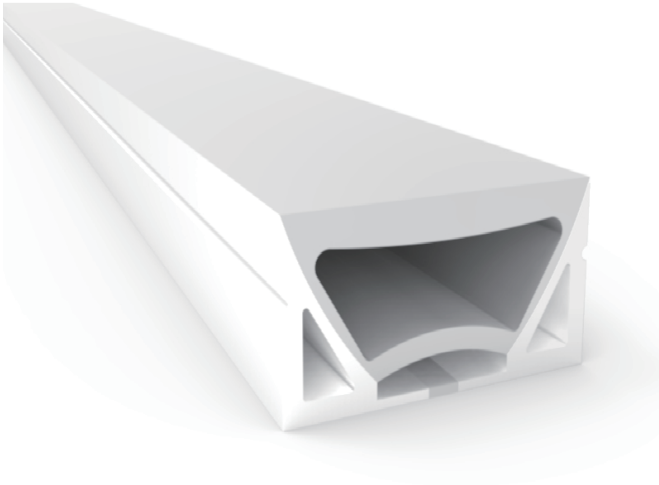


Aluminum Clip



Aluminum Profile

S5025

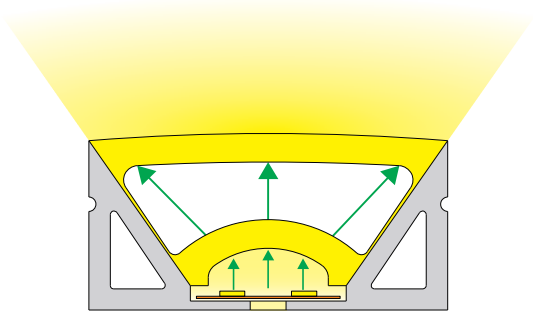


PCB Width(mm) 20

Weight(g/m) 800

size(mm) 50*25

Beam angle 120°



Single color, RGB, RGBW 4in1 ,RGBW 5in1 or pixel digital strip workable



End cap with hole



End cap no hole

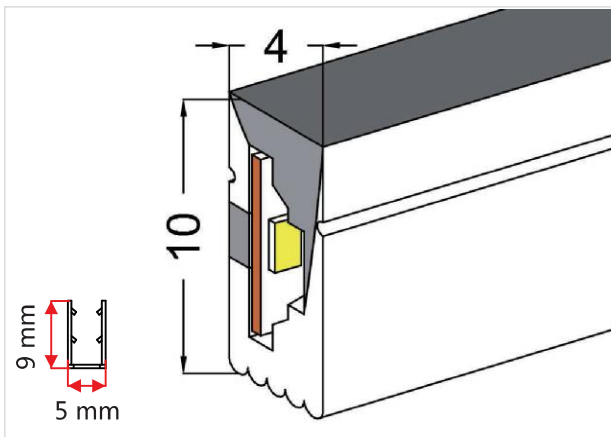
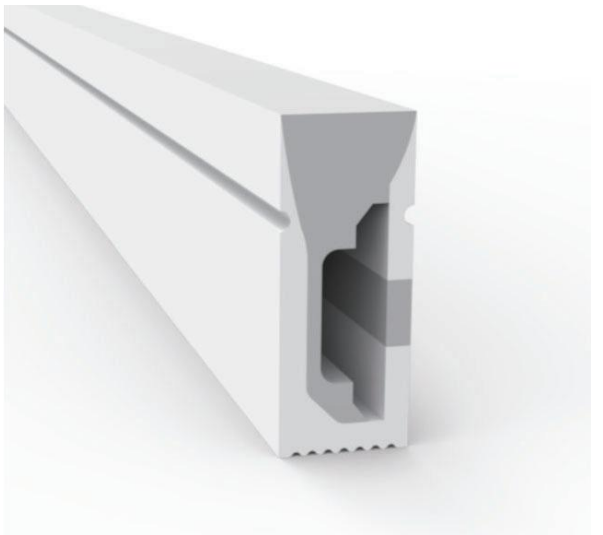


Aluminum Clip

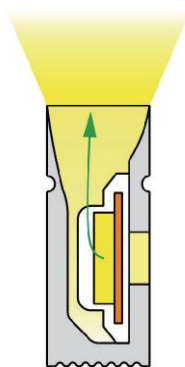


Aluminum Profile

S0410F



PCB Width(mm)	5/6
Weight(g/m)	43/35
size(mm)	4*10
Beam angle	120°



Single color, RGB,5v pixel digital strip workable



End cap with hole



End cap no hole

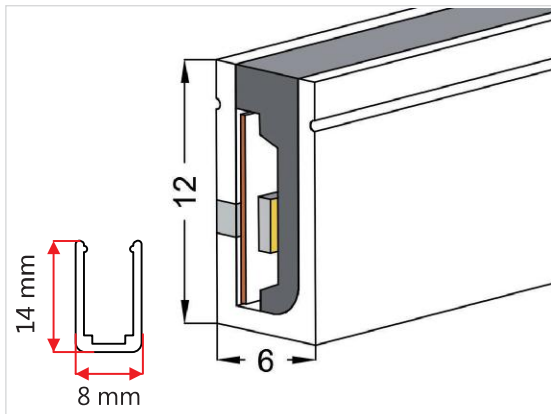
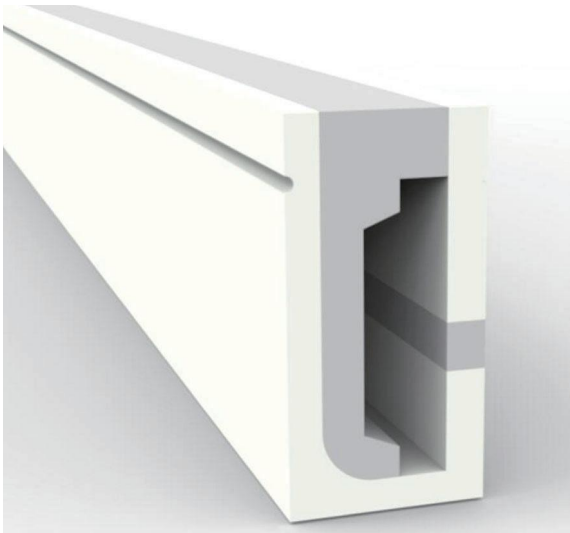


Aluminum Clip



Flexible Profile

S0612H



PCB Width(mm)	8
Weight(g/m)	77
size(mm)	6*12
Beam angle	120°



Single color, RGB,pixel digital strip workable



End cap with hole

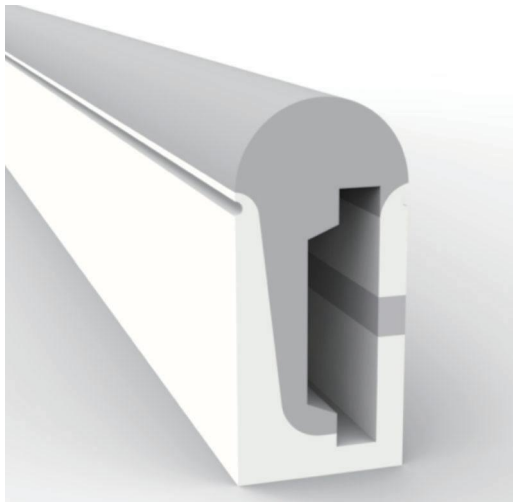
End cap no hole

Aluminum Clip

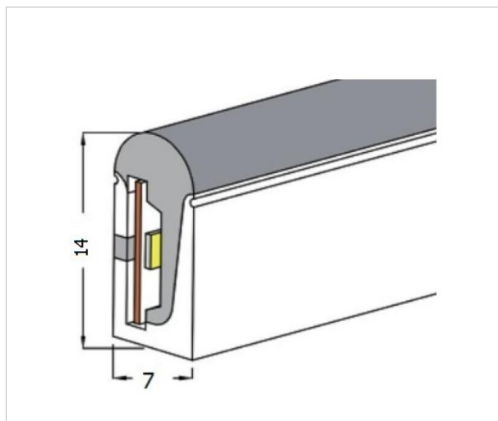
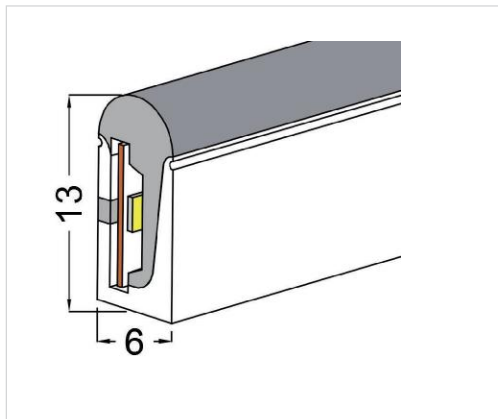
Aluminum Profile

Flexible Profile

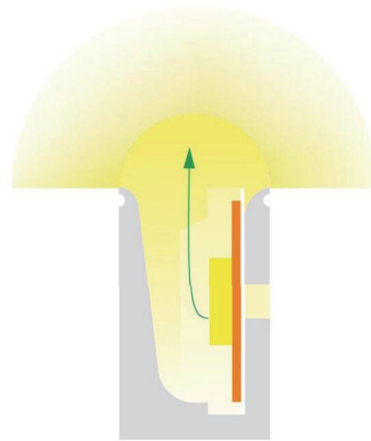
S0613 S0714



Single color, RGB, pixel digital strip workable



PCB Width(mm)	8
Weight(g/m)	77
size(mm)	6*13
Beam angle	180°



End cap with hole

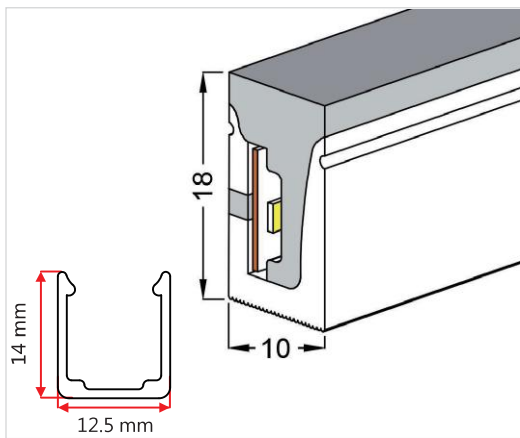
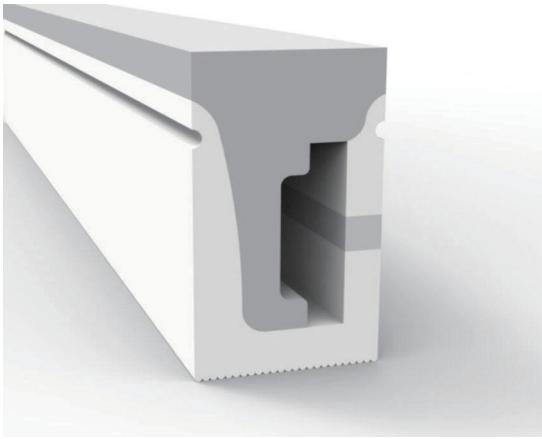
End cap no hole

Aluminum Clip

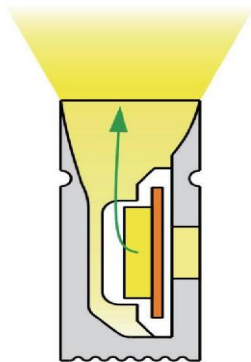
Aluminum Profile

Flexible Profile

S1018



PCB Width(mm)	10
Weight(g/m)	194
size(mm)	10*18
Beam angle	180°



Single color, RGB or pixel digital strip workable



End cap with hole

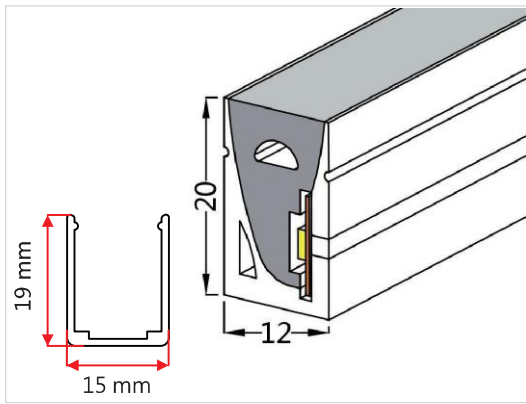
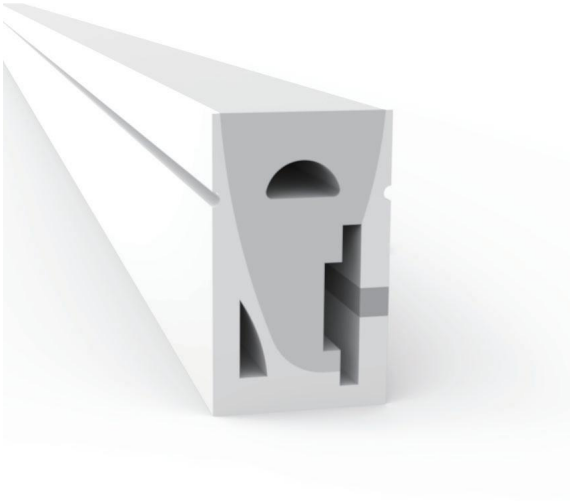
End cap no hole

Aluminum Clip

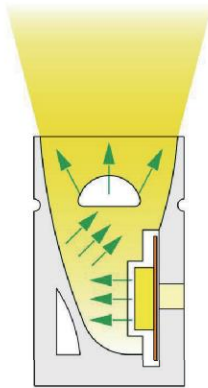
Aluminum Profile

Flexible Profile

S1220H



PCB Width(mm)	10
Weight(g/m)	250
size(mm)	12*20
Beam angle	120°



Single color, RGB or pixel digital strip workable



End cap with hole

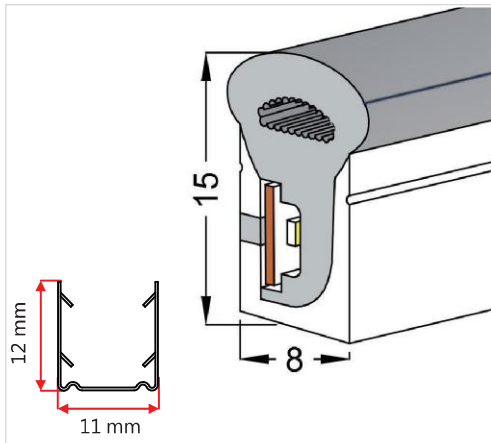
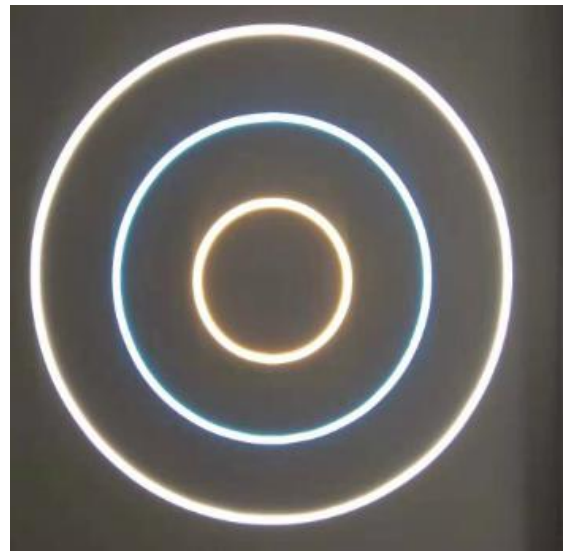
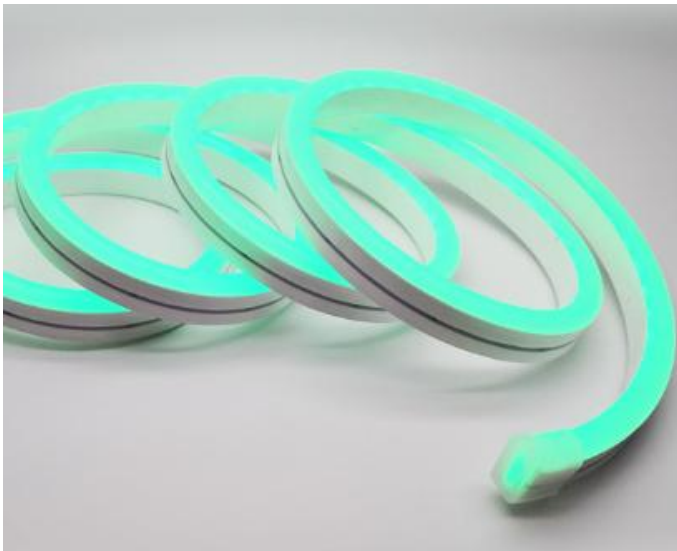
End cap no hole

Aluminum Clip

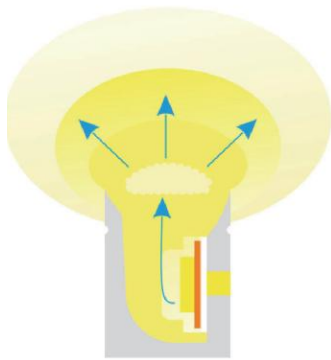
Aluminum Profile

Flexible Profile

S0815H



PCB Width(mm)	6/10
Weight(g/m)	132
size(mm)	8*15
Beam angle	270°



Single color, RGB, pixel digital strip workable



End cap with hole

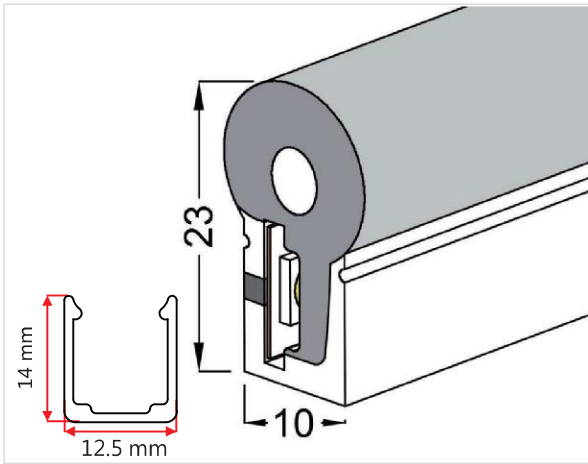
End cap no hole

Aluminum Clip

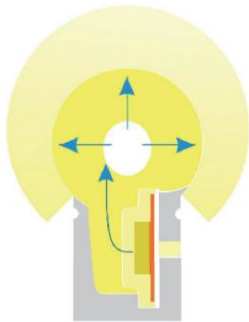
Aluminum Profile

Flexible Profile

S1023



PCB Width(mm)	10
Weight(g/m)	265
Section size(mm)	10*23
Beam angle	270°



Single color, RGB, pixel digital strip workable



End cap with hole

End cap no hole



Aluminum Clip

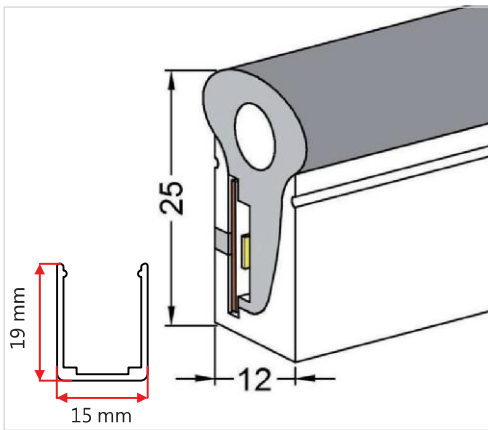
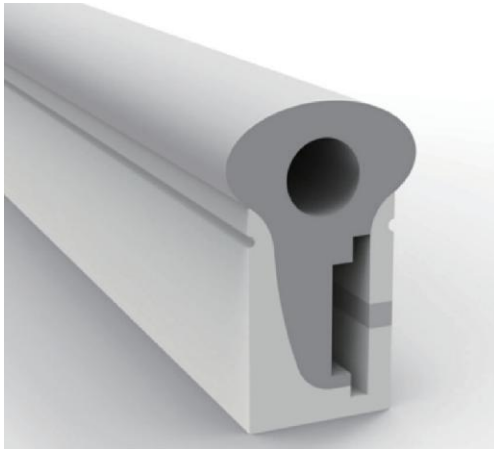


Aluminum Profile



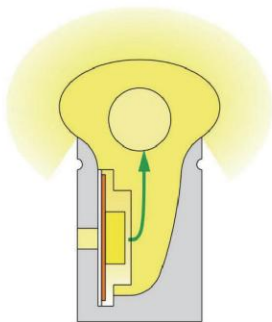
Flexible Profile

S1225H



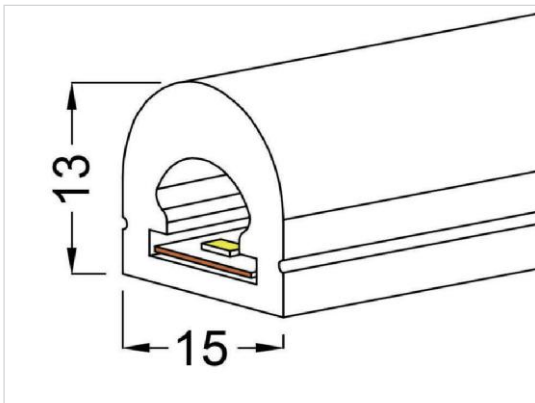
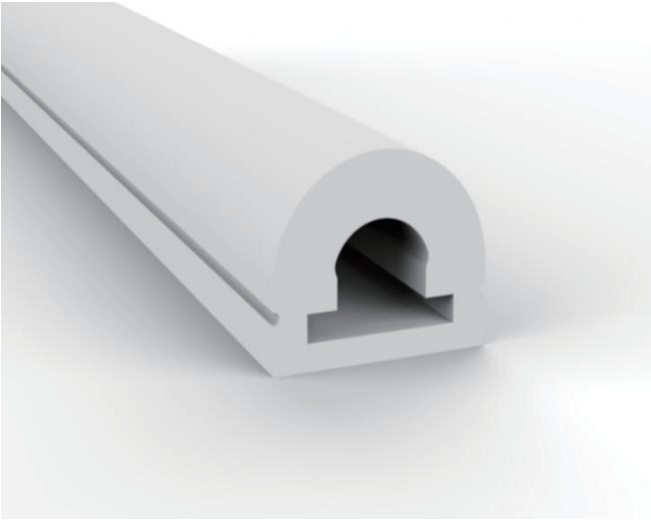
PCB Width(mm)	12
Weight(g/m)	297
size(mm)	12*25
Beam angle	270°

Single color, RGB, RGBW 4in1 ,RGBW 5in1 or pixel digital strip workable

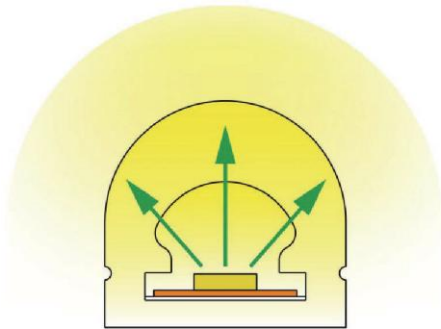


End cap with hole End cap no hole Aluminum Clip Aluminum Profile Flexible Profile

S1315



PCB Width(mm)	10
Weight(g/m)	143
size(mm)	13*15
Beam angle	180°



Single color, RGB, pixel digital strip workable



End cap with hole

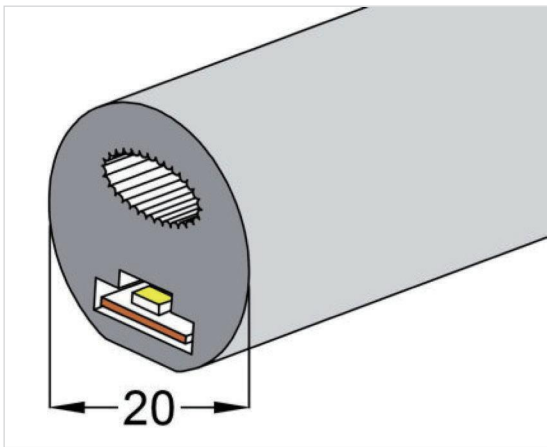
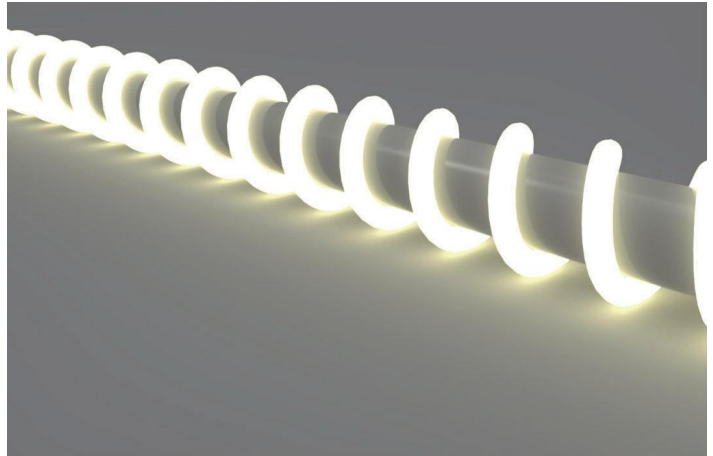
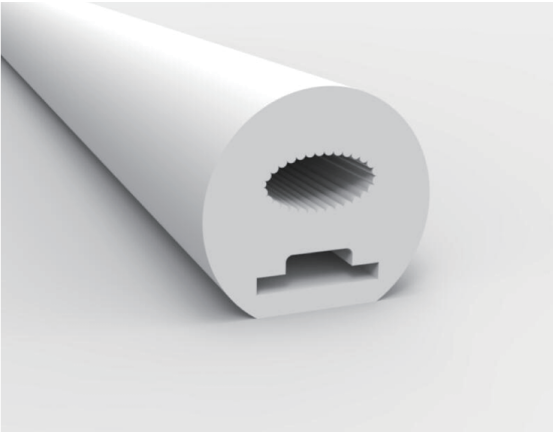


End cap no hole

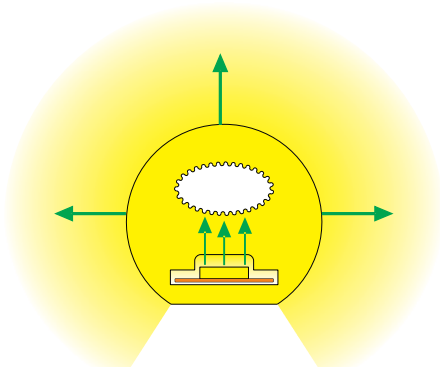


Plastic clip

D20



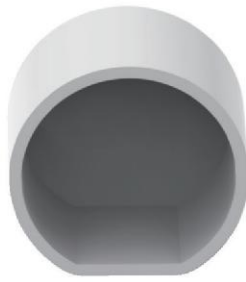
PCB Width(mm)	10
Weight(g/m)	321
size(mm)	φ20
Beam angle	270°



Single color, RGB, pixel digital strip workable



End cap with hole

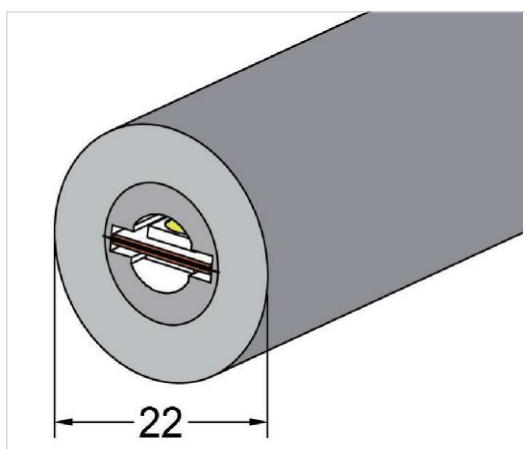
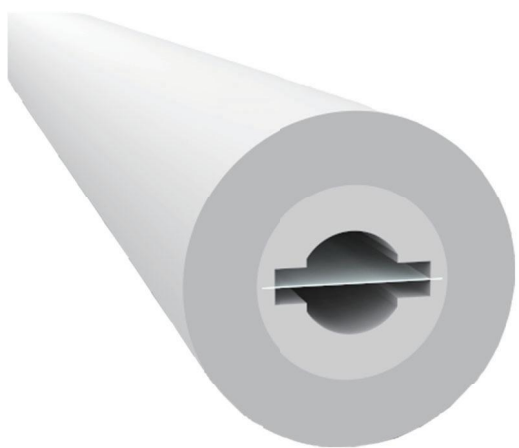


End cap no hole

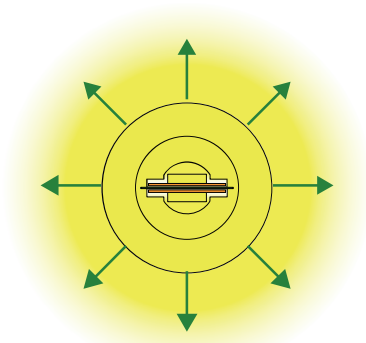


Plastic clip

D22



PCB Width(mm)	double panel 6
Weight(g/m)	432
size(mm)	φ22
Beam angle	360°



Single color, RGB, pixel digital strip workable



End cap with hole

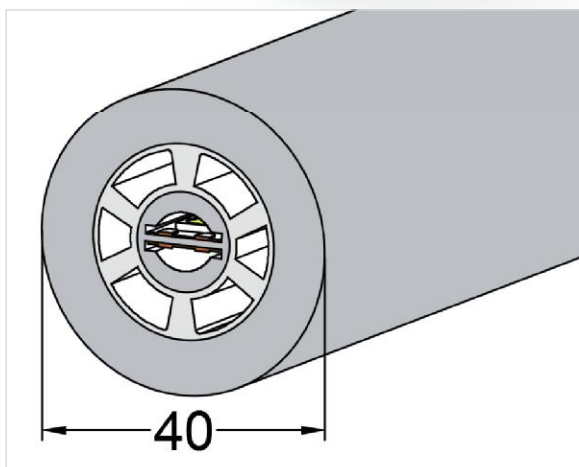
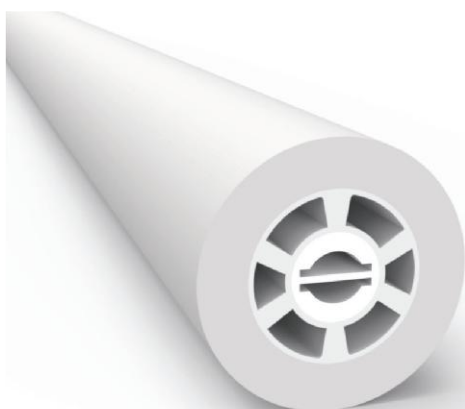


End cap no hole



Plastic clip

D40



PCB Width(mm)

double-sided 10

Weight(g/m)

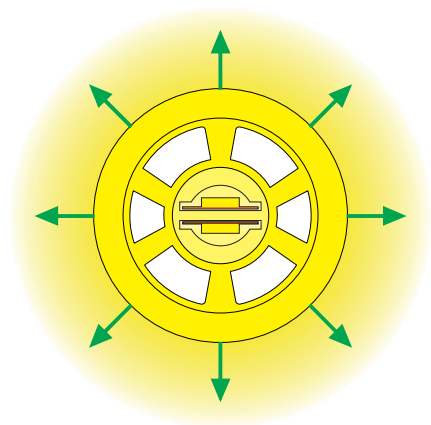
1020

size(mm)

$\phi 40$

Beam angle

360°



Single color, RGB, pixel digital strip workable



End cap with hole



End cap no hole

joint connector example 1010

