



US00D784348S

(12) **United States Design Patent** (10) **Patent No.:** **US D784,348 S**
Zhang (45) **Date of Patent:** **** Apr. 18, 2017**

(54) **FLIP STAND LEATHER PROTECTIVE CASE** 2009/0107858 A1* 4/2009 Huang A45C 9/00
206/214
(71) Applicant: **Zhiguang Zhang**, Guangzhou (CN) 2013/0020216 A1* 1/2013 Chiou G06F 1/1626
206/320
(72) Inventor: **Zhiguang Zhang**, Guangzhou (CN) 2013/0048520 A1* 2/2013 Garrett A45F 5/00
206/320
(**) Term: **15 Years** 2013/0233762 A1* 9/2013 Balaji B65D 25/00
206/736

(21) Appl. No.: **29/539,773**

(22) Filed: **Sep. 17, 2015**

(51) **LOC (10) Cl.** **14-02**

(52) **U.S. Cl.**

USPC **D14/440**

(58) **Field of Classification Search**

USPC D14/250, 440, 447; 206/45.23, 320,

206/45.2; 361/679.55; 294/25; 224/218

CPC G06F 1/1628; G06F 1/1613; G06F 1/1626;

A47B 23/044

See application file for complete search history.

(56) **References Cited**

U.S. PATENT DOCUMENTS

D356,120 S *	3/1995	Allen	D21/335
D364,191 S *	11/1995	Allen	D21/335
D467,429 S *	12/2002	Bone	D3/294
D658,187 S *	4/2012	Diebel	D14/440
D658,188 S *	4/2012	Diebel	D14/440
D658,877 S *	5/2012	Janus	D3/301
D663,304 S *	7/2012	Akana	D14/440
D672,781 S *	12/2012	Lu	D14/440
D678,260 S *	3/2013	Bau	D14/132
D679,279 S *	4/2013	Yang	D14/440
D679,715 S *	4/2013	Akana	D14/440
D681,641 S *	5/2013	Van Den	Nieuwenhuizen
		Nieuwenhuizen	D14/440
D687,438 S *	8/2013	Lu	D14/440
D691,142 S *	10/2013	Diebel	D14/440
D696,253 S *	12/2013	Akana	D14/345
D696,669 S *	12/2013	Akana	D14/440
D713,848 S *	9/2014	Akana	D14/440
D714,791 S *	10/2014	Liu	D14/440
D726,731 S *	4/2015	Kim	D14/440

* cited by examiner

Primary Examiner — Cynthia Underwood

(74) *Attorney, Agent, or Firm* — Novoclaims Patent Services LLC; Mei Lin Wong

(57) **CLAIM**

The ornamental design of a flip stand leather protective case, substantially as shown and described.

DESCRIPTION

FIG. 1 is a perspective view of a flip stand leather protective case in accordance with the present invention.

FIG. 2 is an enlarged front view thereof.

FIG. 3 is an enlarged perspective view showing from another view angle thereof.

FIG. 4 is an enlarged right end view thereof.

FIG. 5 is an enlarged left view thereof.

FIG. 6 is an enlarged bottom view thereof.

FIG. 7 is an enlarged top view thereof.

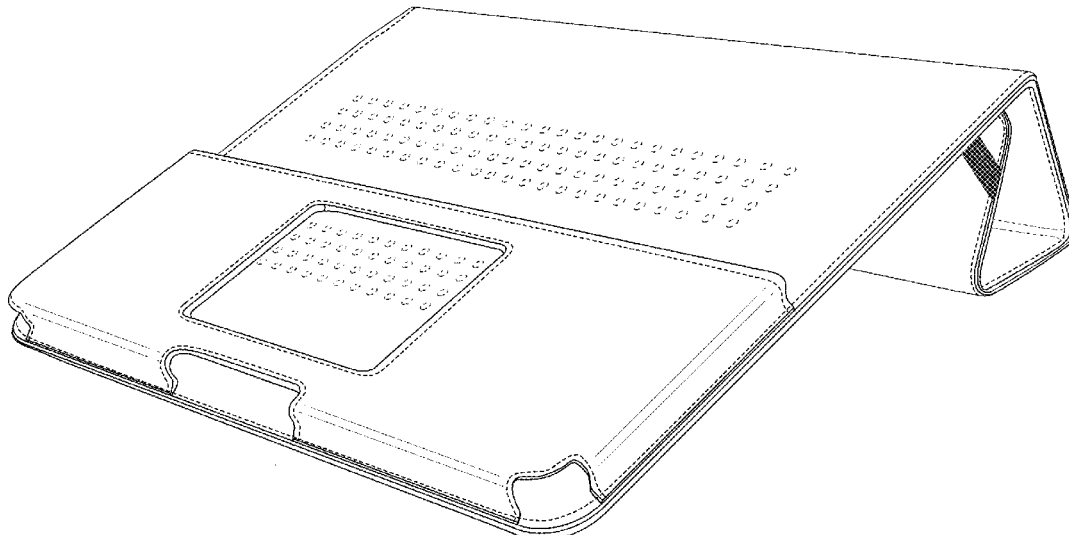
FIG. 8 is a perspective view thereof showing a folding position in use.

FIG. 9 is an enlarged rear view thereof; and,

FIG. 10 is a perspective view thereof showing another folding position in use.

The broken lines along edges of the front cover, the rear cover and the pocket of the flip stand leather protective case represent stitching and form part of the claim. The broken lines in the circles of FIGS. 8 and 9 represent unclaimed subject matter and form no part of the claim.

1 Claim, 10 Drawing Sheets



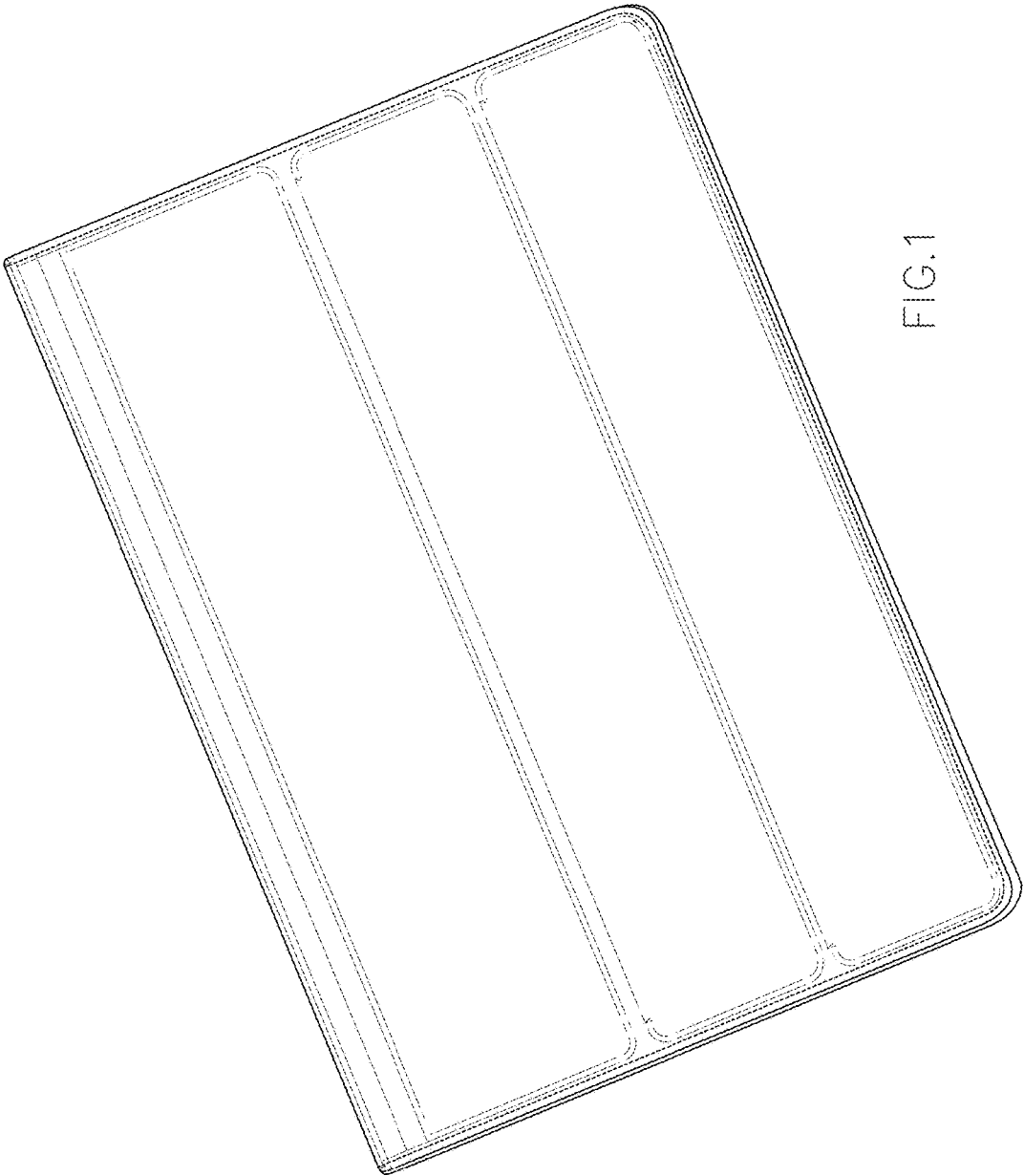


FIG.1

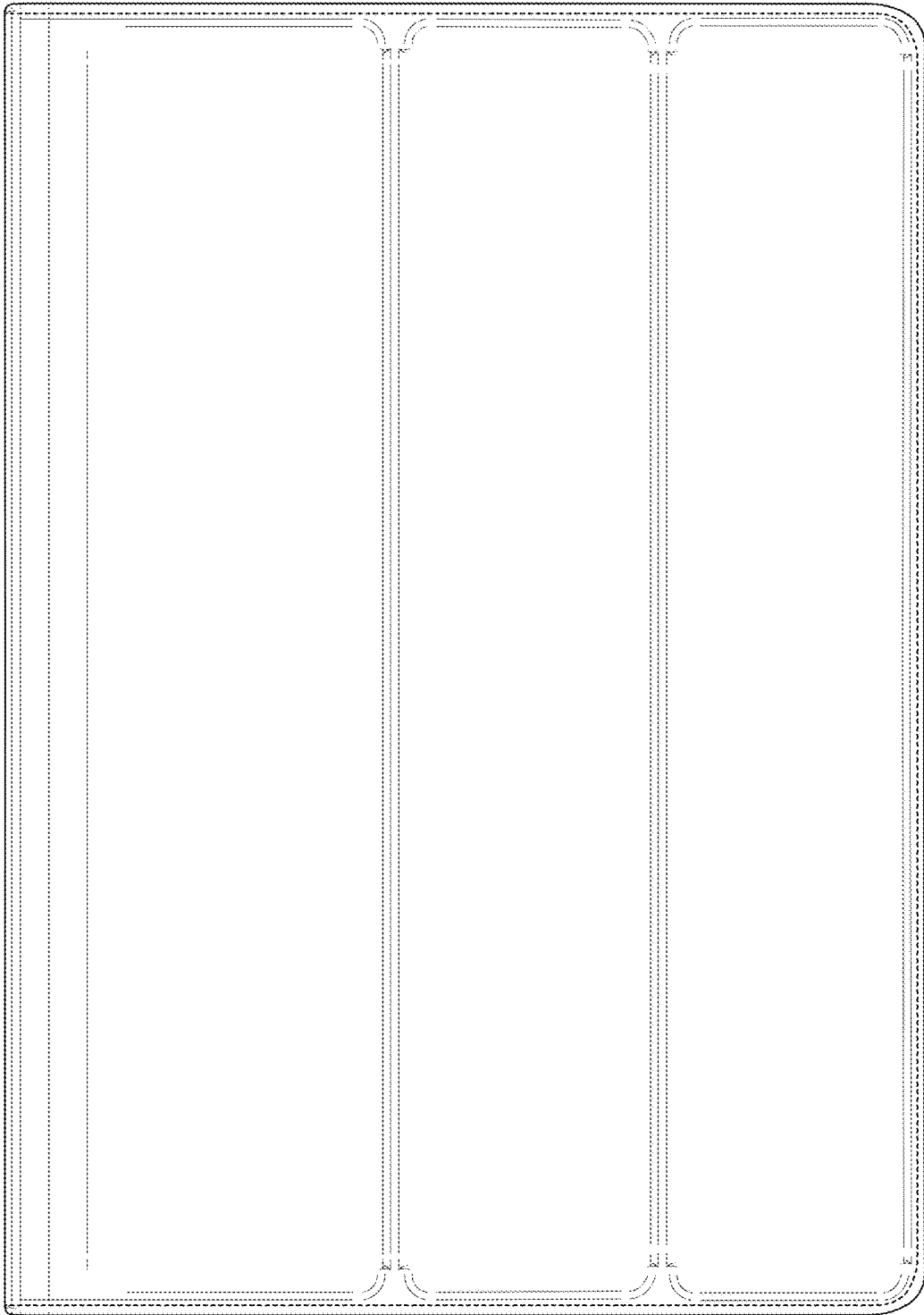


FIG. 2

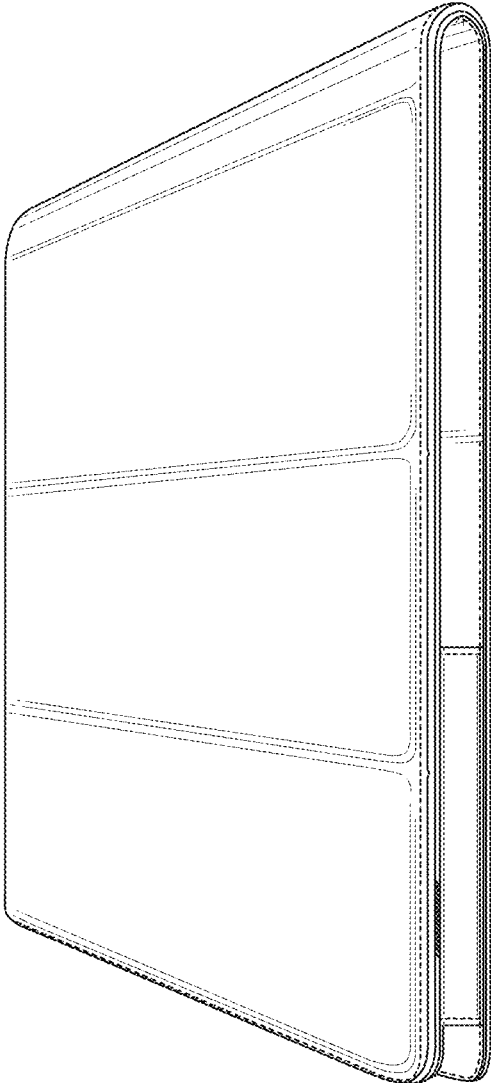


FIG. 3



FIG. 4



FIG. 5



FIG. 6



FIG. 7

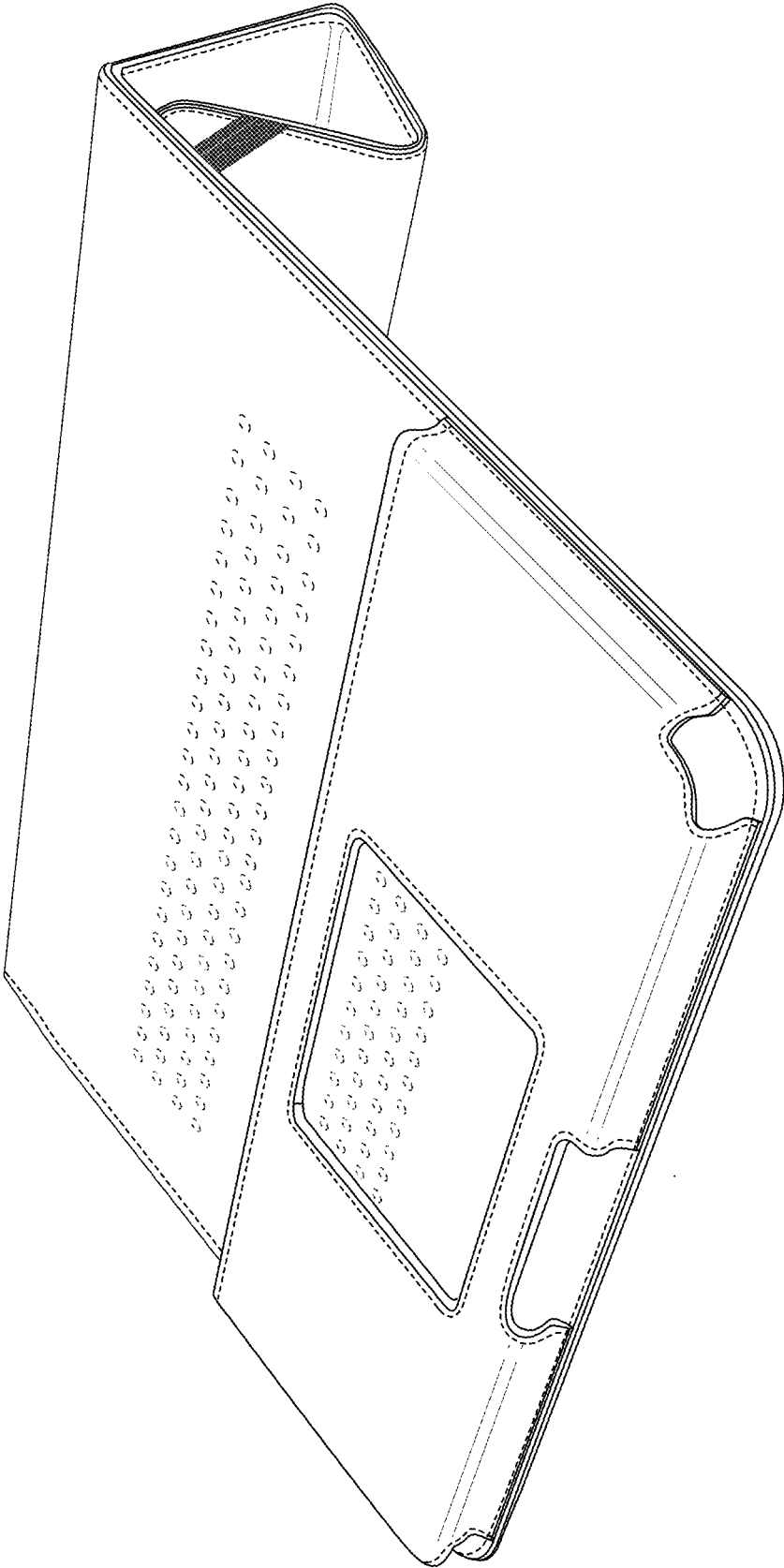


FIG. 8

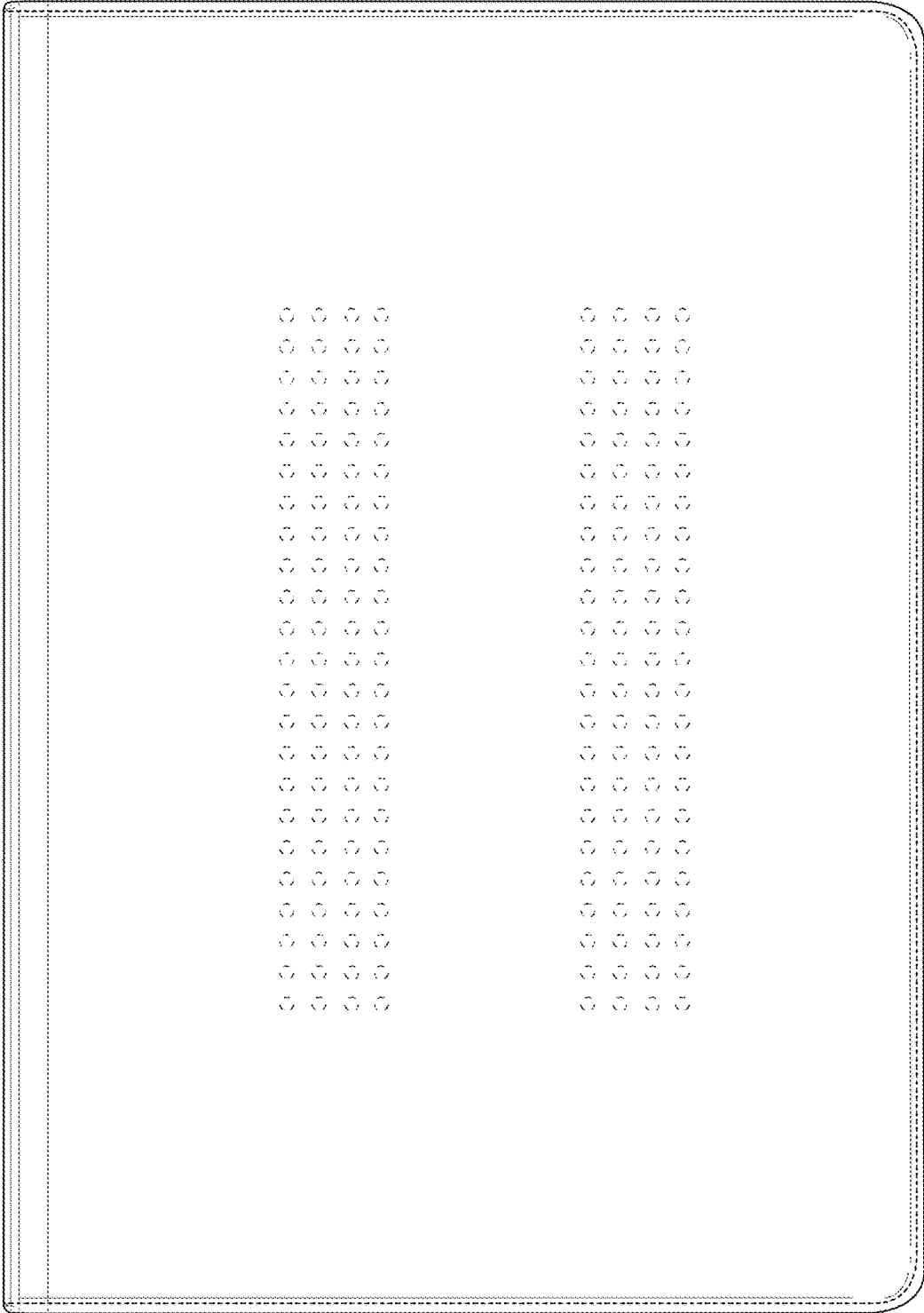


FIG. 9

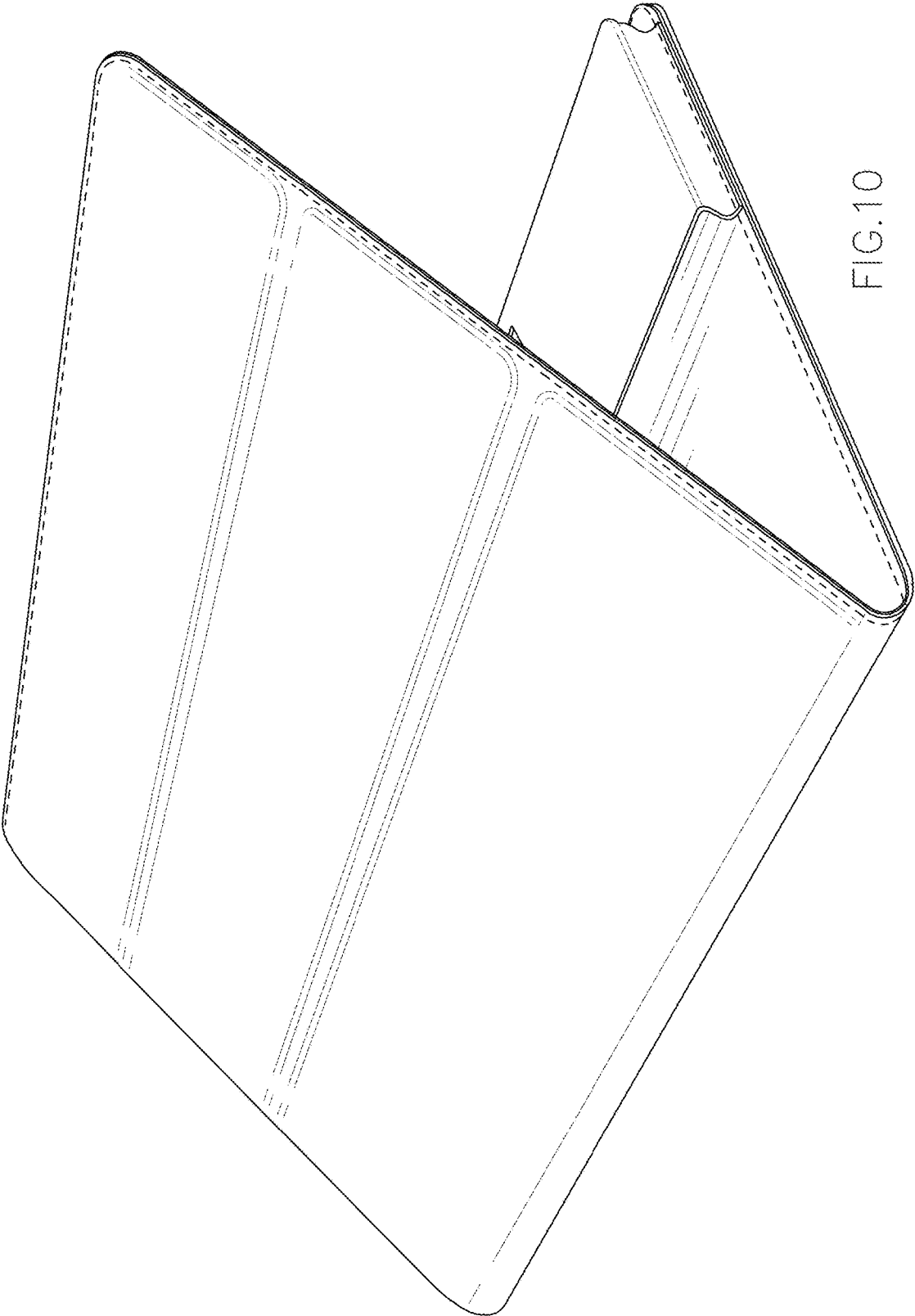


FIG. 10