



# Canada GL Lighting Technology Inc.

7351 Victoria Park Ave, Unit 3, Markham, ON, Canada, L3R 3A5  
T: 905-604-1000 | F: 1-866-756-3987 | [sales@gl-light.ca](mailto:sales@gl-light.ca) | [www.gl-light.ca](http://www.gl-light.ca)

## GL LED Hanging SpotLight



### Technical Specification

Input Voltage: AC90-265V. Beam Angle: 30-45. CRI: > 80.

Luminous efficacy:  $\geq 110$  lm/W. COB LED Life Span:  $\geq 50000$ hr.

Power : 7W,12W,20W and 30W optional.

CCT: 3000K,4000K and 5000K optional.

Size:





# Canada GL Lighting Technology Inc.

7351 Victoria Park Ave, Unit 3, Markham, ON, Canada, L3R 3A5  
T: 905-604-1000 | F: 1-866-756-3987 | [sales@gl-light.ca](mailto:sales@gl-light.ca) | [www.gl-light.ca](http://www.gl-light.ca)



## Telescopic rod

	50-100cm
25-50cm	75-150cm

The irradiation direction is adjustable



Finish

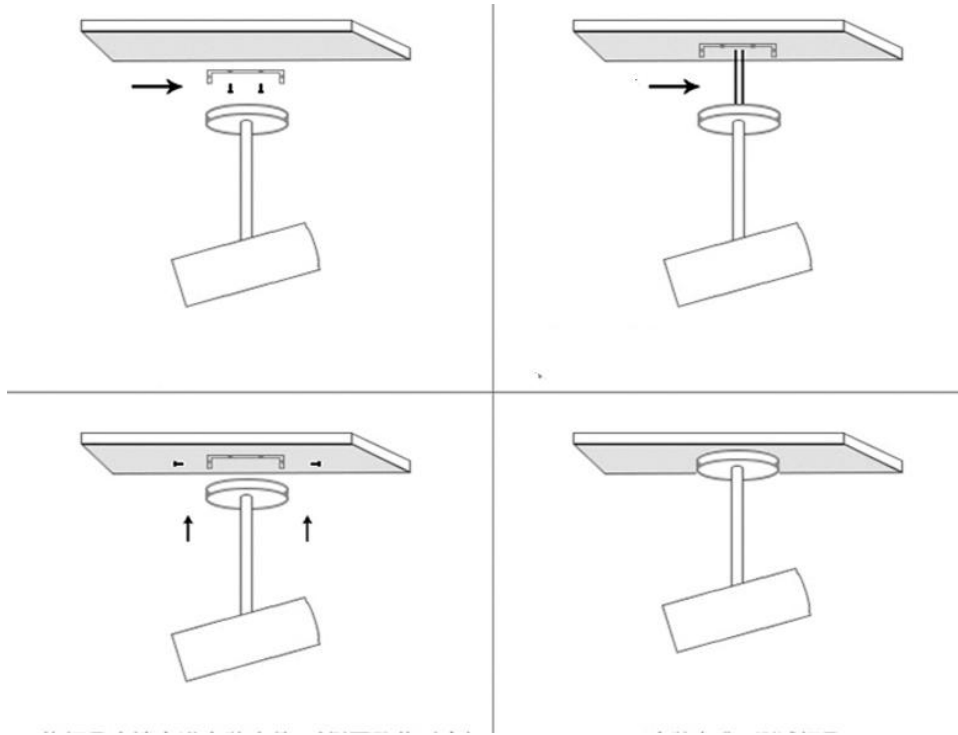




# Canada GL Lighting Technology Inc.

7351 Victoria Park Ave, Unit 3, Markham, ON, Canada, L3R 3A5  
T: 905-604-1000 | F: 1-866-756-3987 | [sales@gl-light.ca](mailto:sales@gl-light.ca) | [www.gl-light.ca](http://www.gl-light.ca)

## Installation guide



### Order Code :

GL	-	HSL	-	XXW	-	XW	-	X	-	XX
		Power				CCT		Finish		Telescopic rod length
		07W				3000K:WW		White		25-50cm: 05
		12W				4000K:NW		W		50-100cm: 10
		20W				5000K:CW		Black		100-150cm: 15
		30W						B		