



Canada GL Lighting Technology Inc.

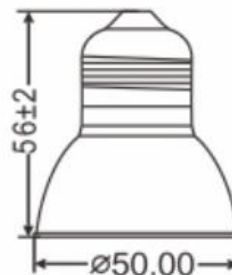
7351 Victoria Park Ave, Unit 3, Markham, ON, Canada, L3R 3A5
 T: 905-604-1000 | F: 1-866-756-3987 | sales@gl-light.ca | www.gl-light.ca

GL Spot And PAR Lighting

Features

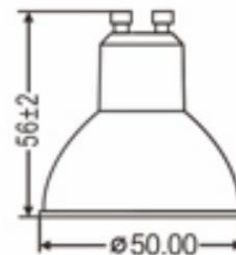
- Super Bright COB-LED, CRI>90 .
- Standard Base,direct lamp replacement .
- Excellent pure aluminiumheat sink.
- Triac Dimmable .
- Operation Temperature: -20~40°C (-4~104°F)

GLE265W-C



Order Code	Voltage/Watts	CCT	Lumens	Beam Angle
GLE265W45DCD-C	120Vac/60Hz	5000-5500K	520	45°
GLE265W45DWD-C	5W	2700-2900K	500	

GLGU105W-C



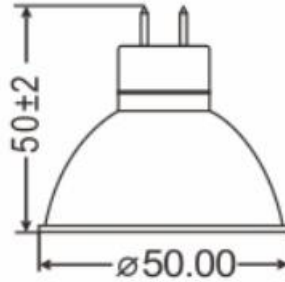
Order Code	Voltage/Watts	CCT	Lumens	Beam Angle
GLGU105W45DCD-C	120Vac/60Hz	5000-5500K	520	45°
GLGU105W45DWD-C	5W	2700-2900K	500	



Canada GL Lighting Technology Inc.

7351 Victoria Park Ave, Unit 3, Markham, ON, Canada, L3R 3A5
 T: 905-604-1000 | F: 1-866-756-3987 | sales@gl-light.ca | www.gl-light.ca

GLGU5.3-MR166W-C



Order Code	Voltage/Watts	CCT	Lumens	Beam Angle
GLGU5.3-MR165W45DCD-C	12Vdc/ac	5000-5500K	500	45°
GLGU5.3-MR165W45DWD-C	5W	2700-2900K	480	

GLPAR206W-C



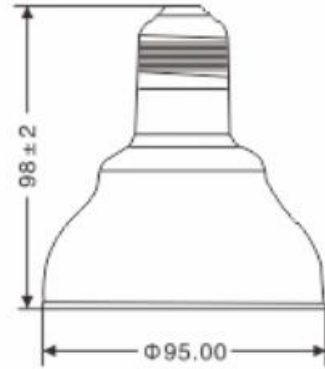
Order Code	Voltage/Watts	CCT	Lumens	Beam Angle
GLPAR206W45DCD-C	120Vac/60Hz	5000-5500K	700	38°
GLPAR206W45DWD-C	6W	2700-2900K	620	



Canada GL Lighting Technology Inc.

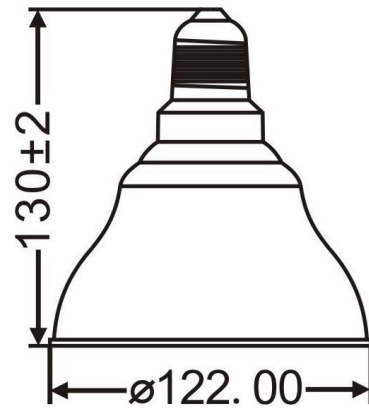
7351 Victoria Park Ave, Unit 3, Markham, ON, Canada, L3R 3A5
 T: 905-604-1000 | F: 1-866-756-3987 | sales@gl-light.ca | www.gl-light.ca

GLPAR308W-C



Order Code	Voltage/Watts	CCT	Lumens	Beam Angle
GLPAR308W45DCD-C	120Vac/60Hz	5000-5500K	900	38°
GLPAR308W45DWD-C	8W	2900-3100K	850	

GLPAR3816/22W-C



Order Code	Voltage/Watts	CCT	Lumens	Beam Angle
GLPAR3816W45DCD-C	120Vac/60Hz	5000-5500K	1450	38° /25°
GLPAR3816W45DWD-C	16W	2900-3100K	1400	
GLPAR3822W45DCD-C	120Vac/60Hz	5000-5500K	2100	
GLPAR3822W45DWD-C	22W	2900-3100K	2000	