

GENERAC®

PWRCELL

SOLAR + BATTERY STORAGE SYSTEM



Save money, prepare for power outages and help the environment with the Generac PWRcell Solar + Battery Storage System



Electricity rates & power outages are increasing

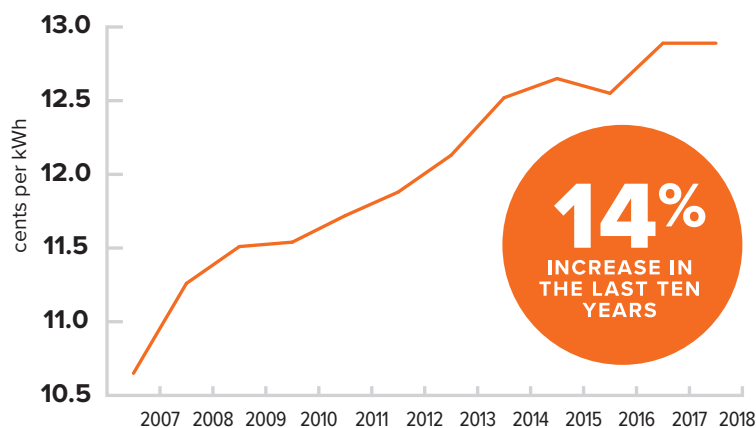
Electric utility rates are on the rise, with no relief in sight. In the past 10 years, electricity rates have increased 14%.¹ Paying more for electricity can prevent you from being able to invest additional dollars toward the things that matter most to you:

- Dream Vacation
- Home Improvement Projects
- Financial Freedom
- Child's/Grandchild's College Fund
- Retirement Savings

In addition, the electrical power grid continues to age, making it less reliable and more susceptible to power outages that can leave you without heating and cooling, refrigeration, and in some areas, water.

You need an innovative solution that will save you money, protect your home from power outages, and is good for the environment.

UNITED STATES ELECTRICITY RATES¹



POWER OUTAGES BY YEAR²

YEAR	TOTAL NUMBER OF OUTAGES	PEOPLE AFFECTED
2008	2,169	25.8 million
2009	2,840	13.5 million
2010	3,149	17.5 million
2011	3,071	41.8 million
2012	2,808	25 million
2013	3,236	14 million
2014	3,634	14.2 million
2015	3,571	13.2 million
2016	3,879	17.9 million

¹Source: EIA (U.S. Energy Information Administration)

²2017 Eaton Blackout Tracker

Save money and be prepared with the Generac PWRcell™

Never be surprised by high electricity bills or utility power outages again when you have the Generac PWRcell solution, a fully integrated solar + battery storage system. With PWRcell, you can easily save money and be prepared for power outages. Best of all, it's environmentally friendly.



SAVINGS POWERED BY THE SUN

Use stored energy from solar panels or the electrical grid to power your home during peak demand times



BACKUP POWER

Provides backup power during utility power outages

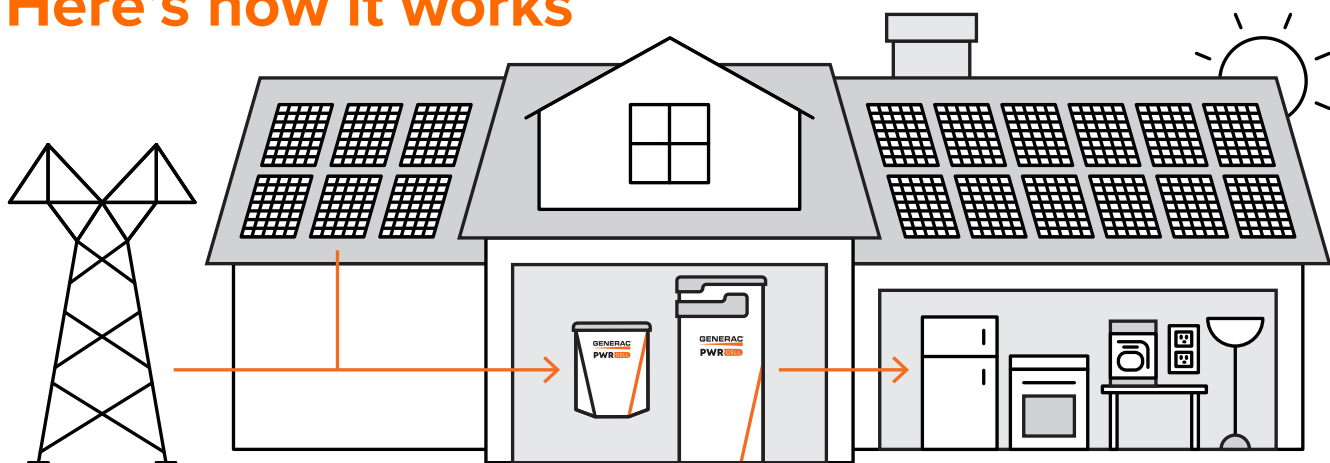


ENVIRONMENTALLY FRIENDLY

Emits no fossil fuels or emissions



Here's how it works



1

PWRcell stores energy from either solar panels* or the electrical grid.

2

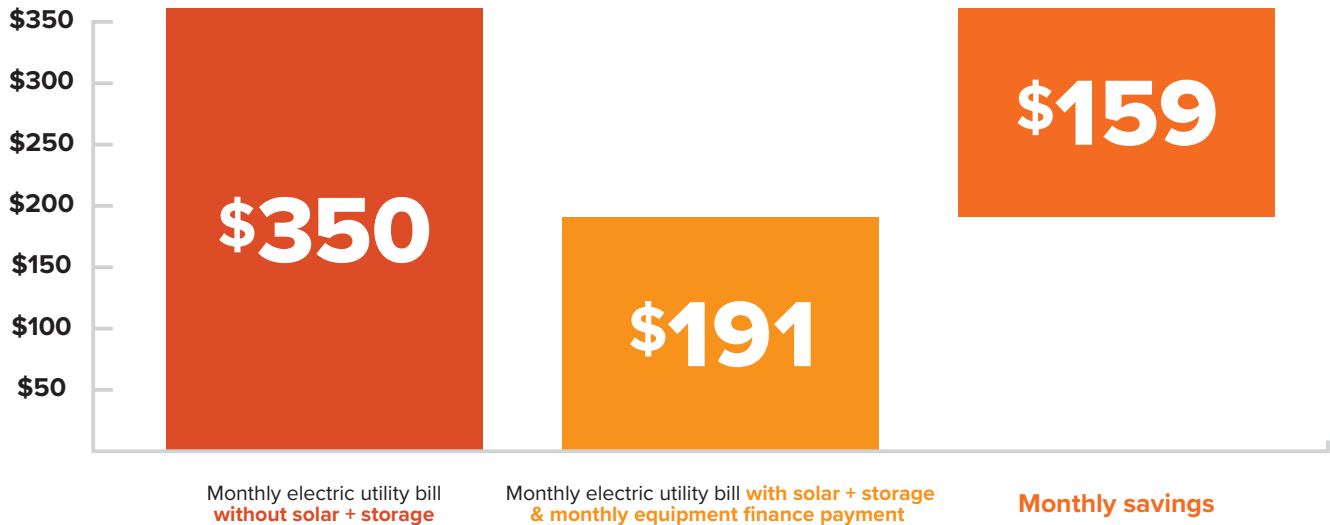
During peak demand times, when utility prices are at their highest, the stored energy can be discharged to power your home, saving you money.

3

During a utility power outage, the energy stored in PWRcell can be discharged to provide backup power. Your family and home stay safe and comfortable.

Eliminate high electricity bills and save thousands with PWRcell

When you have solar panels and the Generac PWRcell battery storage system, you'll be putting thousands of dollars back into your wallet. Here's how:



That's a savings of **\$47,700*** over 25 years!

Cost breakdown

PWRcell Battery Storage System (8.6kWh) <i>INSTALLATION INCLUDED</i>	+\$20,000
22 x Solar Power Panels (7.6kWh) <i>INSTALLATION INCLUDED</i>	+\$23,544
TOTAL SYSTEM COST	\$43,544
26% Investment Tax Credit**	-\$11,321
FINAL COST OF SOLAR SYSTEM	\$32,223

Savings breakdown

Monthly electric utility bill without solar + storage	\$350
Monthly electric utility bill with solar + storage & equipment finance payment	\$191 [†]
ESTIMATED MONTHLY SAVINGS	\$159

Monthly electric utility bill per month based on customer testimonial. Example based on a 3,000-square foot home in San Diego, Calif. Savings and system production will vary based on final design, utility rates, and household energy usage. The actual savings vary based on a number of factors, including weather, shading from growing trees, system components, future electricity use, and the fluctuation of the price of electric in your utility district.

\$0 DOWN[†]
Easy Payment
Plans Available

*Excludes repair or replacement of components outside of warranty.

**Not everyone is eligible for the federal and state tax credits/rebates or can use them. Please consult your tax or legal professional for more details.

[†]Assumes a 25-year loan with a 4% fixed interest rate with a principal of \$43,544. This is not an offer for financing. For special financing, contact a Generac installer.

Why PWRcell?

If you're looking for a fully-integrated solar + battery storage system, Generac's PWRcell is the right product for you. When compared to other storage systems on the market, PWRcell is the clear winner.

In a side-by-side comparison to the Tesla Powerwall, Generac's PWRcell system offers:

- 27% More Battery Capacity
- 34% More Continuous Power
- 43% More Peak Power

	Generac	Tesla Powerwall
Storage Capacity*	17.1kWh	13.5kWh
Continuous Power	6.7kW	5kW
Peak Power	10kW	7kW

*Figure based on single storage cabinet of battery modules Tesla specifications per Tesla Powerwall specification sheet.

THE PWRcell SYSTEM

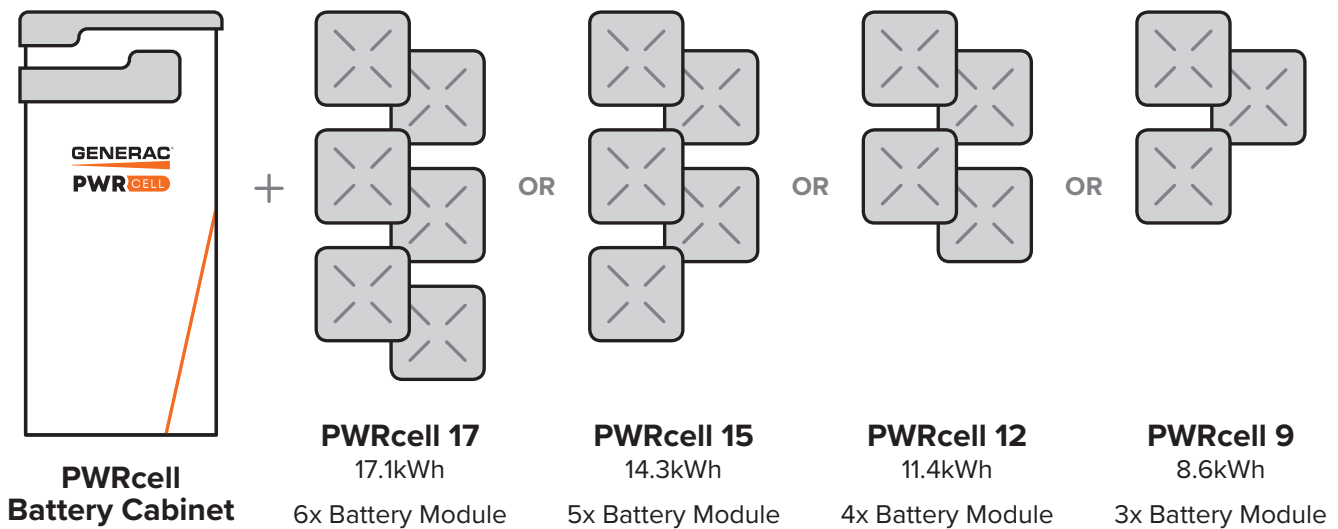
PWRcell's standard system provides 8.6kWh of storage capacity and includes:

- 1 PWRcell Inverter
- 1 Battery Storage Cabinet
- 3 Lithium Ion Battery Modules



CUSTOMIZABLE OPTIONS

Only Generac offers a modular design that allows you to expand your storage capacity as your power needs evolve.



10-Year Limited Warranty included with the PWRcell!

GENERAC®

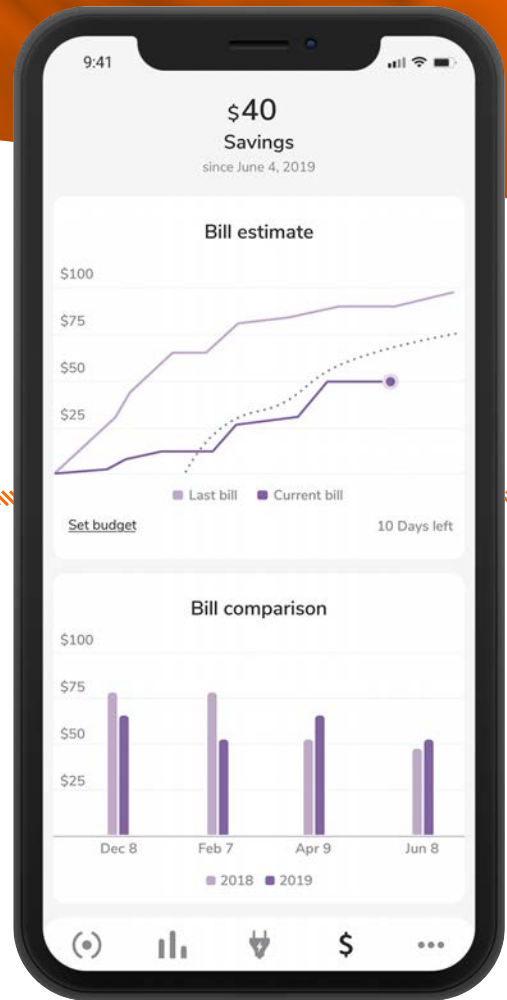
PWRVIEW

HOME ENERGY MONITORING

Save even more on your monthly utility bill with the PWRview Home Energy Monitoring System. PWRview is a standard feature within PWRcell, which allows you to monitor your electricity usage. Using detailed reports, provided in the easy-to-use PWRview app, conveniently access your home's energy information from your smartphone, tablet or computer.

With the PWRview system and app, you can:

- See real-time energy usage at a glance
- Better understand your home's energy profile
- Access daily energy intelligence & insights including daily consumption, solar generation and battery usage, as well as bill estimates and savings
- Eliminate surprises with detailed bill tracking, forecast and history

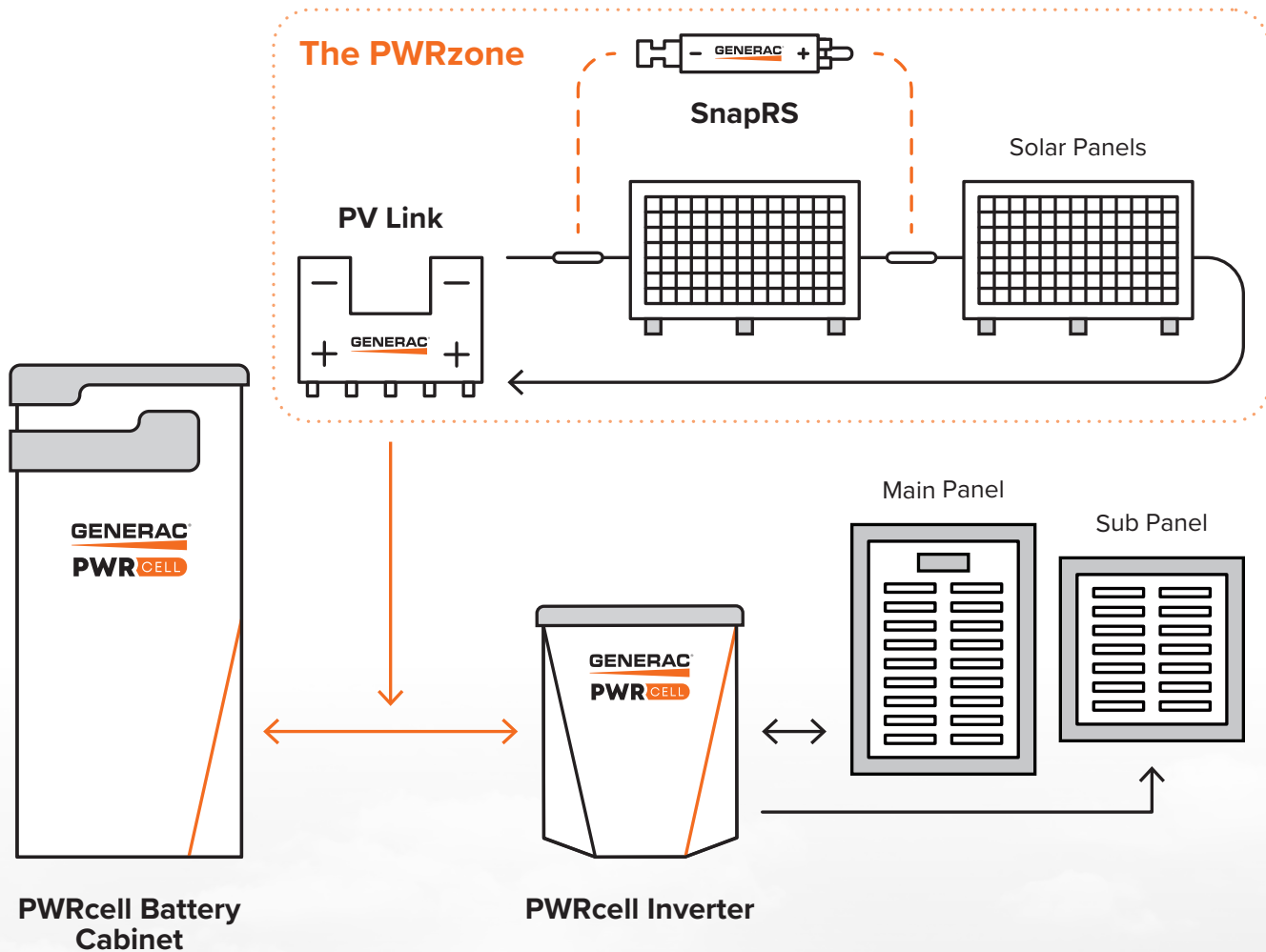


The PWRview for PWRcell app is available for download on Apple® and Android™ devices.



Fully integrated solar + storage

PWRcell is the first fully integrated solar + battery storage system available on the market. And Generac's PWRzone combines fewer complex components, which allows for easier and faster installation.





PV Link
Substring Optimizer



SnapRS
Rapid Shutdown Device

Each PV Link allows you to connect 2 to 9 solar PV modules, enabling you to build a flexible, easy-to-install solar array.

SnapRS is an in-line disconnect device that helps to satisfy module-level rapid shutdown requirements.

SOLAR PANEL CAPABILITY

The PWRcell system can be paired with most DC solar panels (sold separately).

100% NATIONAL ELECTRIC CODE (NEC) COMPLIANT

SnapRS and PV Link Substring Optimizers meet NEC 2017 and NEC 2020 PV rapid shutdown requirements.

SAFE

SnapRS and PV Link Substring Optimizers are listed to UL 1741 and rapid shutdown compliant. PV Link helps to further protect equipment by automatically detecting arc and ground faults.

Why Generac?

Generac has been a leading manufacturer of residential, commercial, industrial and mobile power products since 1959.

We are proud to have helped many customers save money, gain greater independence, and prepare for the unexpected. With innovation rooted in our culture, it is easy to see why Generac is the most trusted brand for power solutions.

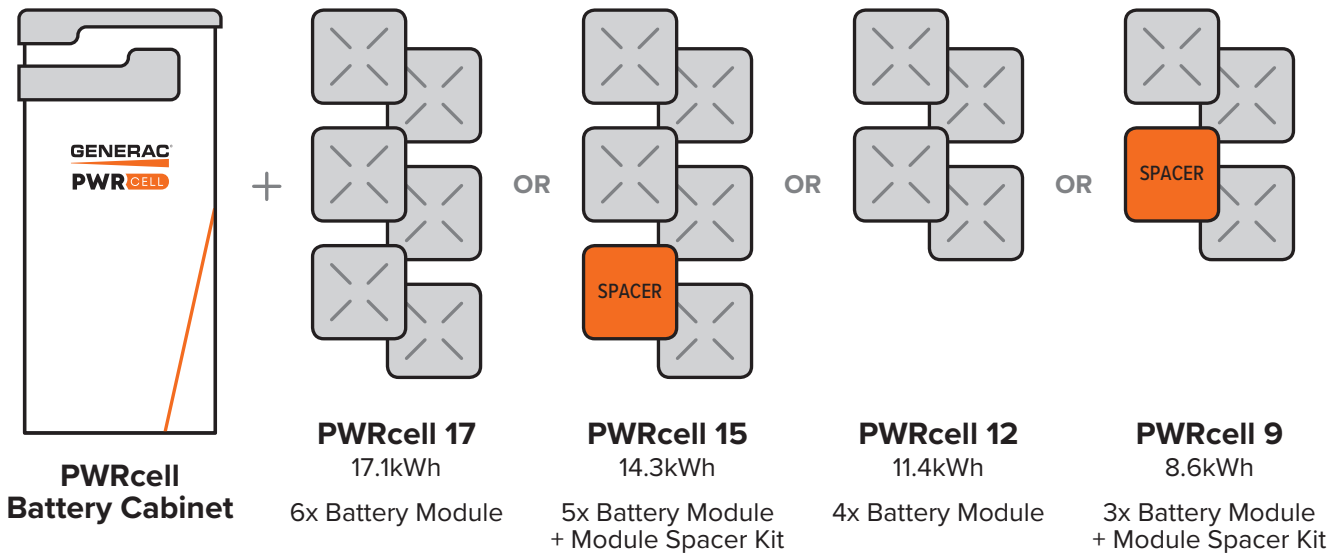
Generac products are designed and engineered in Wisconsin. Our locally based customer support team is available 24-7/365 – so you can feel confident knowing that if you need support, we will be here when you need us the most.



Overview of technical specifications

PWRcell BATTERY CONFIGURATIONS	9	12	15	17
BATTERY MODULES:	3	4	5	6
USABLE ENERGY:	8.6kWh	11.4kWh	14.3kWh	17.1kWh
POWER - RATED CONTINUOUS:	3.4kW	4.5kW	5.6kW	6.7kW
POWER - 60 MINUTES:	4.2kW	5.6kW	7.0kW	8.4kW
POWER - 2 MINUTES:	5.0kW	6.7kW	8.4kW	10.0kW
REbus™ VOLTAGE - INPUT/OUTPUT:	360-420 VDC			
MODULE VOLTAGE:	46.8 VDC			
ROUND-TRIP EFFICIENCY:	96.50%			
DIMENSIONS, L x W x H - IN (MM):	22" x 10" x 68" (559 x 254 x 1727)			

BATTERY CABINET CONFIGURATIONS



PWRcell INVERTER

X7600 SERIES

- 7.6kW 120/240V single-phase
- 50 A Protected Loads 120/240V
- 4 DC Ports for PV and Storage

X11400 SERIES

- 11.4kW 120/208V 3-phase
- 50 A Protected Loads 120/240V
- 4 DC Ports for PV and Storage

SAVINGS POWERED BY THE SUN

WWW.GENERAC.COM

Generac Power Systems, Inc.
S45 W29290 Hwy. 59, Waukesha, WI 53189

www.Generac.com | 888-GENERAC (436-3722)

201902109 REV 05/20

©2020 Generac Power Systems. All rights reserved.
Specifications are subject to change without notice.

GENERAC[®]

The logo features the word "GENERAC" in a bold, black, sans-serif font. Below the text is a thick, orange horizontal bar that tapers to a point on the right side.