



CELEBRATING
**THOUGHTFUL
SECURITY!**
Your tomorrow is our today

Godrej & Boyce Mfg. Co. Ltd.

Godrej Security Solutions, Regd. Office: Plant No. 17, Pirojshanagar, Vikhroli, Mumbai - 400 079.

Toll-free: 1800 108 1400 | Email: secure@godrej.com | Visit: www.godrejsecure.com

Branch Contact Details: Delhi - 9810894307, NCR - 9910894305/ 011 66507261, Lucknow - 9918201680, Jaipur - 9828448889, Chandigarh - 9888662000, Kolkata - 9830885635, Bhubaneswar - 9437062517, Ranchi - 08051237071, Raipur - 9435492684, Guwahati - 9435406437, Patna - 957000250, Mumbai - 9833132527, Ahmedabad - 9825020779, Bhopal - 9826163854, Pune - 9545553928, Hyderabad - 9966403396, Hyderabad (Vijaywada) - 9912345234, Chennai - 9941988688, Bangalore - 9986327492, Coimbatore - 9047444109.

In view of the Godrej Policy of continuous development and improvement, the dimensions as seen on the flyer of the product may not match with the actual product. The colour combinations of the products as seen on this flyer may vary and not match with the actual colour of the product due to printing limitations. Prices may be changed without prior notice.

An ISO 9001:2008 & ISO 14001:2004. BS OHSAS 18001:2007 | Products Marketed and Serviced By Godrej & Boyce Mfg. Co. Ltd.

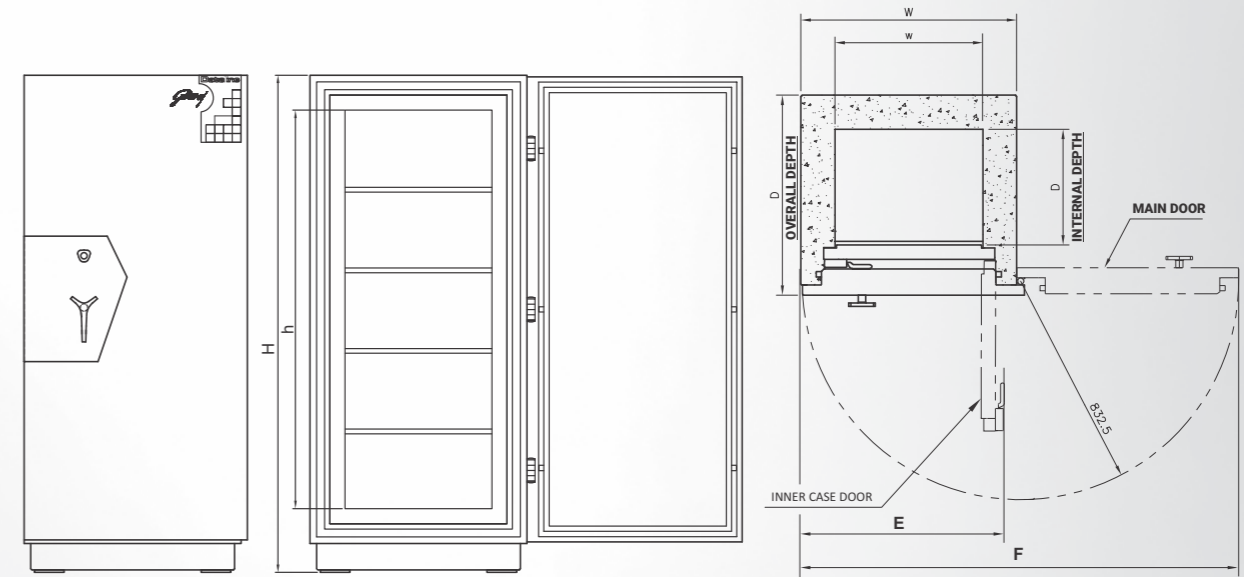


TABLE OF CONTENTS

- About Godrej Security Solutions 01
- Quality Leadership 7 Step 12 Tank Pre-Treatment Process for Quality 02
- A. Safes**
- Defender Plus Safes - with drawers / coin slot 4-5
- Defender Plus Safes with SDL 6-7
- POP Safe 8-9
- D-Tel Depository 10-11
- Gun Cabinet 12-13
- Accessories 14
- B. Strong Room Doors**
- Strong Room Door Class 1 / Class 2 16-18
- High Security Door 19-21
- Single Shutter Grille Gate 22-23
- Emergency Door 24-25
- Plenum Chamber 26
- Fortifi - Strengthening Solution 27
- Steel Fabricated Strong Room 28-29
- Currency Bin Cabinet 30-31
- Tang Bars 32
- Accessories 33-34
- C. Safe Deposit Lockers**
- Safe Deposit Locker Cabinets 36
- Secunex 37-39
- AutoVault 40-41
- Accessories 42-43
- D Fire Resisting Products**
- Fire Resisting Filing Cabinets 46-47
- Fire Resisting Record Cabinets 48-49
- Dataline 50-53

Features

- **Capacity** - 372 litres of economically used space
- **Structure** - Cabinet-within-a-Cabinet type of construction
- **Internal Shell** - A layer of polyurethane material and specially crafted fire resistant compound
- **External Shell** - Double walled, multi-bend and with fire-resistant compounds



Product	External Dimensions			Internal Dimensions	Weight (Kgs)	Volume (Litres)	Capacity				
	HxWxD (mm)	E (mm)	F (mm)	hxwxd (mm)			DLT/L TD Tape	Data Cartridge	AIT Data Cartridge	CD/DVD (R, RW & ram regular)	Zip Disk Media
Dataline M	1875x850x800	1700	1545	1510x560x440	830	372	672	432	1656	1344	1812

*All dimensions are in mm and Tolerance - dimensions ± 5%





DATALINE M CABINET

Superior protection for your vital data

Need

New-age data processing generates tremendous amounts of digital information and existing digital infrastructure often proves to be insufficient to store this colossal amount of data. In such cases, the vital data needs to be transferred on to a retrievable format and stored safely offline.

Offering

Computer media reacts differently to gas and fire and is often of a very sensitive nature if compromised. The **Godrej Dataline M Cabinet** is your answer to storing a large amount of digital data devices securely. Its enhanced capacity offers 350 litres of storage space while its unique cabinet-within-a-cabinet construct protects valuable data from the ravages of fire, dust, heat, moisture, magnetic waves and static electricity.



ABOUT GODREJ SECURITY SOLUTIONS

The leaders in innovation in the Indian security industry, Godrej Security Solutions (GSS) consistently strives to push the envelope, keeping in mind customer needs. Backed by more than a century of experience and expertise, GSS has been at the helm of every breakthrough in the Indian security industry - evolving from a safes manufacturer to a comprehensive security solutions provider offering modern and intelligent technology driven products and services.

Today, GSS exports to more than 55 countries worldwide and offers a wide range of security products that run the gamut from sturdy safes and world-class fire resistant solutions to advanced vault equipment and resilient strong room doors.

With customer convenience being integral to all that we do, we offer solutions that go beyond the expected. Because we firmly believe it is these unexpected touches that have the power to transform. Take for instance, our next-gen safe deposit lockers that go the extra mile by offering complimentary accessories such as a log book and a handy magnetic light. Or for that matter, our range of automated safe deposit lockers that allow patrons to sit comfortably and summon their lockers at the swipe of a card.

Thoughtful innovations that enhance convenience go a long way in reinforcing an institution's credibility, heightening your customer's banking experience. Even as you read this, team GSS is working behind the scenes to evolve new ways to harness technology that will go on to shape tomorrow's products and solutions. Yes, we are changing to keep pace with a dynamic new world but what remains unchanged is our commitment to uphold the Godrej legacy of **stellar quality, exemplary service and complete trust.**





QUALITY LEADERSHIP

At Godrej Security Solutions we always aim to stay one step ahead. Along with pioneering innovative products, we also strive to offer quality security solutions that go the extra mile. When you buy a GSS product you can rest assured that you are receiving a quality product that has gone through a stringent Pre-Treatment Process followed by advanced checks and measures.

The Godrej 7 step 12 Tank Pre-Treatment Process is just one such example of how we do not leave any stone unturned in ensuring quality as well as longevity of our products.

All GSS steel components undergo a 7 step 12 Tank Pre-Treatment Process to combat rusting.

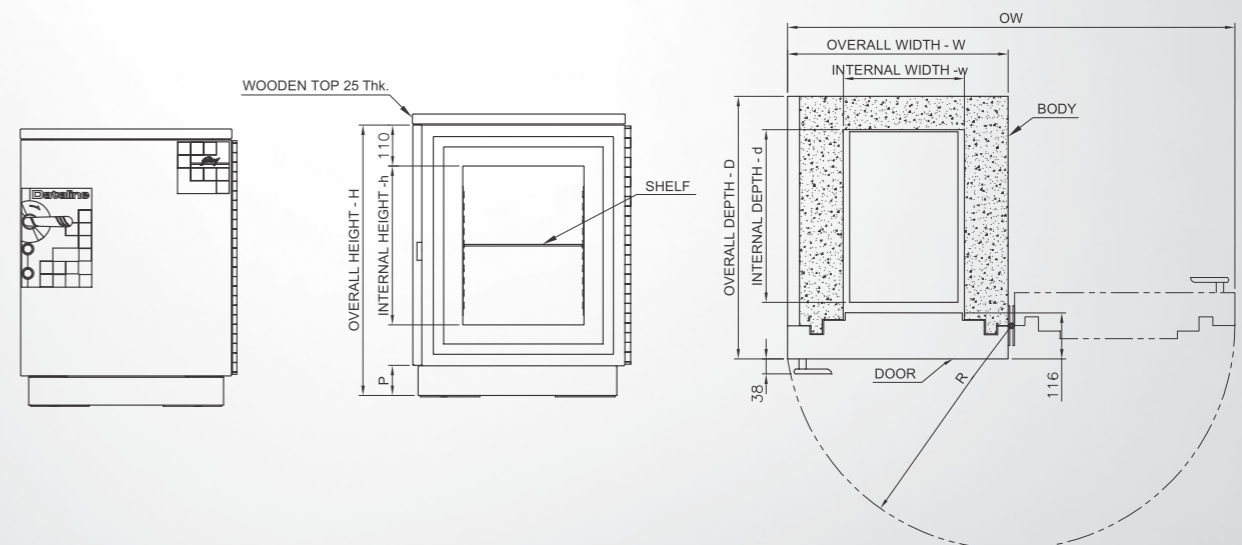


Features

- Resistance to static electrical interference
- Advanced three-layer construction, which protects the contents from moisture, magnetic field and provides thermal insulation
- Available in 3 sizes as 10 L, 53 L and 90 L
- Adjustable shelves to suit all your requirements
- 10-lever high security cylindrical locks for added security

Special Features

- **Tongue and Groove Construction** - Prevents the passage of hot gases in the storage compartment.
- **Snap-shut Mechanism** - Minimizes the time taken to lock a safe during crisis situations.
- **Specifically Formulated Fire Resistant Material** - Acts as a thermal insulator and prevents heat from entering into the safe.
- **In-fill Material Structure** - Shields cabinet from falling debris.
- **Locking Mechanism** - Two high precision locks.



Product	External Dimensions			Internal Dimensions	Weight (Kgs)	Volume (Litres)	Capacity				
	HxWxD (mm)	OW Door at 180 (mm)	OW Door at 90 (mm)	hxwx d (mm)			DLT/LTD Tapes	Data Cartridge	AIT Data Cartridge	CD/DVD (R, RW & ram regular)	Zip Disk Media
10 L	534x425 x476	864	825	250x175 x250	75	10.94	24	21	60	62	68
53 L	698x555 x661	1124	1140	400x305 x435	155	53.07	72	40	204	200	231
90 L	798x655 x676	1324	1255	500x405 x450	215	91.13	135	100	390	400	480

*All dimensions are in mm and Tolerance - dimensions ± 5%



DATA LINE SAFE

Superior protection for your vital data.

Need

In today's modern world, vital data is often stored and exchanged through various computer media such as CDs, pen drives and diskettes. And when this data is threatened, it poses a tremendous security hazard to a company or the individual. The properties of computer media being different from paper documents, their reaction to smoke and gases is also dissimilar; and consequently they require a singular security approach.

Offering

The security of your important data is no longer a worry with the **Godrej Dataline Safe**. Offering three layers of fire resistant compounds to give your digital data the best kind of protection possible, the safe also secures your valuable data against pilferage, humidity, dust, magnetic fields and electrostatics.



SAFES



DEFENDER PLUS RANGE OF SAFES

Uncompromised Security

Need

People entrust the bank with their valuables and expect the bank to take utmost care of all that they hold dear. Banks in turn aim to offer complete peace of mind to their customers by highlighting the state-of-the-art security measures they employ to keep their patrons' cash, valuables and important documents absolutely safe.

Offering

The **Godrej Defender Plus Safe** is a range of burglary resistant strong safes. Fire, torch, drill, arc-cutting and hammer resistant, the Defender Plus Safe is a fully welded, multi-corner bend construct, without a single rivet, making the safe an integral whole. The Defender Plus Safes come in two variants -

Jewel Safes

- Safes with drawers to assist the banker in systematically storing the jewelry obtained through gold loan operations. Jewelry from different customers can be stored separately in different drawers.
- Safes with adjustable holder rods for the convenience of the user so that he/ she can suspend gold bags and other precious fragile articles.

Cash Safes

- Safes with coin slots to store and secure cash flow on a regular basis minus the inconvenience of unlocking the safe. It also enables one to deposit the cash without giving complete access to the safe.
- Safes with lockable, hinged flap doors to divide the storage space for multiple purposes.

*Locking Mechanism for the safes are also available in: (a) Combination Lock (b) Electronic Lock (c) Biometric Lock (d) Time Lock

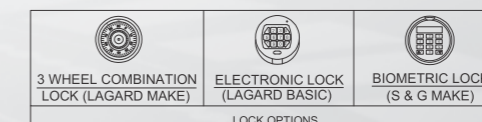
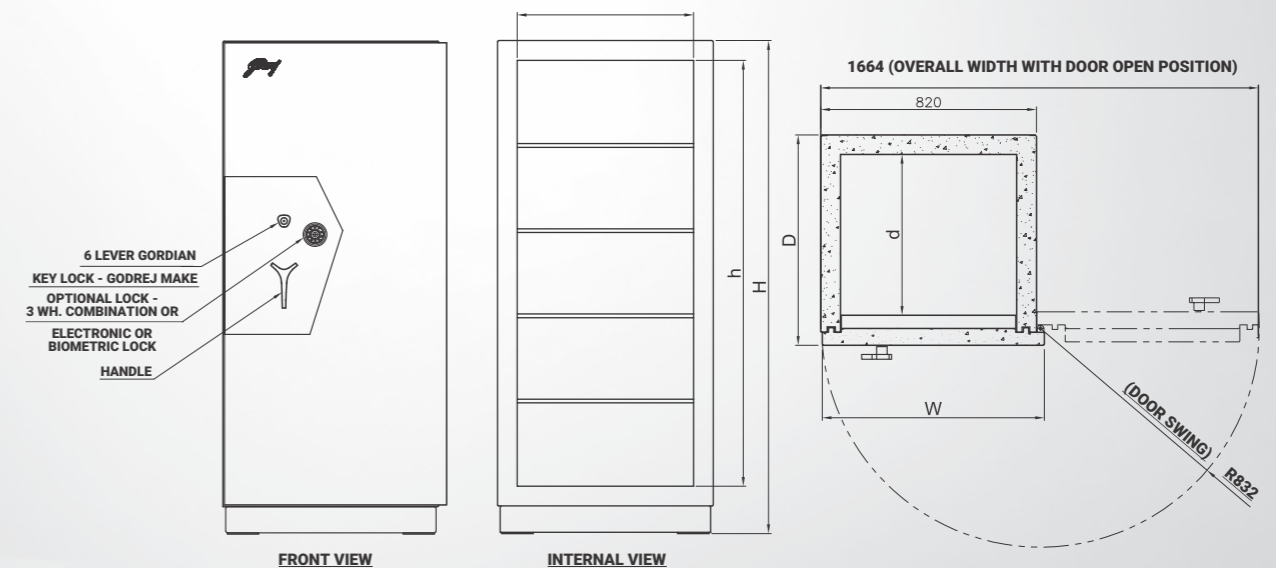


Features

- In-situ insulation for reliable fire resistance
- Strong bolt-work mechanism
- Attractive finish for an elegant look
- Cost-effective storage capacity
- **Certifications:** Holds license for Fire Endurance and Fire & Impact as per BIS IS 14561:2014.

Special Features

- **Tongue and Groove Construction** - Prevents the passage of hot gases in to the storage compartment and withstands temperature up to 1010°C.
- **Inert In-fill Material** - Retains fire - resisting properties for a prolonged period.
- **In-fill Material Structure** - Shields cabinet from falling debris.
- **Locking Options** - Lever Key lock, Dual Control Gordian lock, 3-Wheel Combination lock, Electronic Number lock and Biometric lock.



	Height (H)	Width (W)	Depth (D)	Net Weight (Kgs)	Gross Weight (Kgs)
Outside (mm)	1875	850	800	650	665
Inside (mm)	1620	670	599		

*All dimensions are in mm and Tolerance - dimensions $\pm 5\%$



FIRE RESISTING RECORD CABINETS

Storage just got a whole lot safer

Need

It takes years to build a business and just a few minutes of carelessness to destroy it. A sobering fact to note is that four out of ten businesses never reopen when their important files and records are destroyed in a fire. An accidental fire can get sparked anytime and it doesn't take much for the fire to consume papers that come in its way. Paper work is the lifeline of an organisation and a business with unprotected records is invariably vulnerable to the threat of fire.

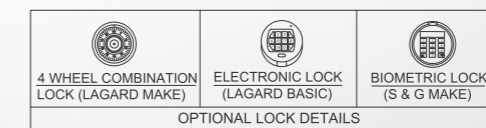
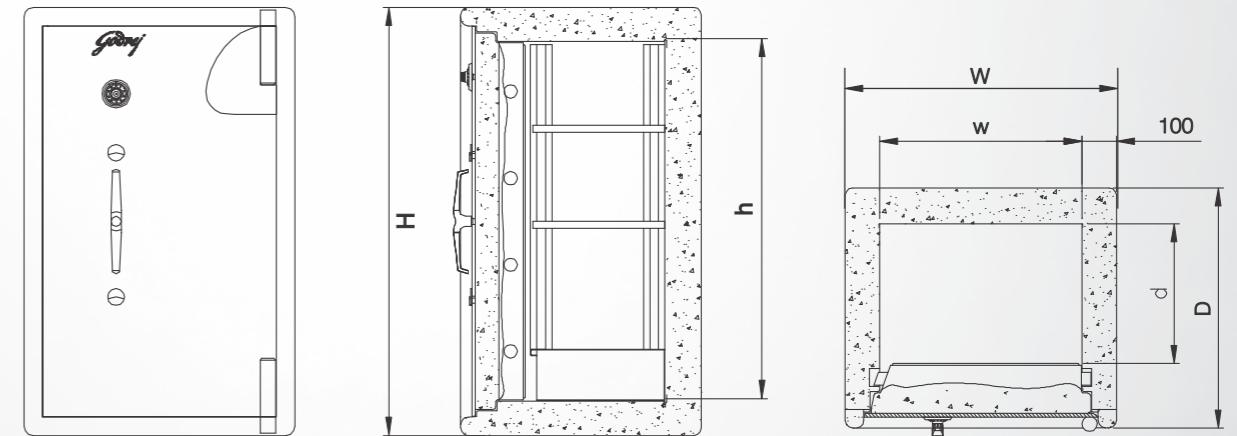
Offering

Godrej Fire Resisting Record Cabinets offer formidable resistance to extreme heat and have several features that allow it to combat fire and gases, such as a highly efficient insulation construct and the use of a proprietary fire-resisting compound. With a net effective storage volume of 0.64 m³ (22 cubic feet), the Godrej Fire Resisting Record Cabinets can accommodate the bulkiest of ledgers, box files and unwieldy bound reports.



Features

- Strong and seamless body with fully welded multi-corner bend construction without a single rivet
- Two step door and frame construction for higher resistance against fire and burglary
- Armoured with Double Duty Barrier (DDB) material in the door and the body
- Torch and Drill Resistant (TDR) Matrix used in TRTL classes of safes
- Strong shooting bolts to secure the door behind the jamb box against dislodging
- Automatic re-locking devices for protection against attack through keyhole
- Dual Control High precision 8-lever locks protected with unique drill-defeat shield in the door
- Class C safes have successfully withstood the one-hour fire resistance test carried out at C.B.R.I., Roorkee, India
- Unique balanced pressure bolt-work to ensure safety from attacks by dislodging
- Tested as per BIS standard IS 550:2014



	Class C (TL 30 D x TL 10 X 5 - FR 30)		Class BB (TRTL 15 X 6)		Class A (TRTL 30 X 6)		Class AA (TRTL 60 X 6)		INTERNAL
	Weight	Out (HxWxD)	Weight	Out (HxWxD)	Weight	Out (HxWxD)	Weight	Out (HxWxD)	In (hxwd)
26	431	662x530x575	485	662x531x596	*	662x531x596	*	662x531x596	462x331x295
31	655	788x633x676	*	788x633x696	717	788x633x696	*	788x633x696	588x433x395
41	826	1042x633x676	930	1042x633x696	*	1042x633x696	*	1042x633x696	842x433x395
49	1174	1246x785x725	1320	1246x785x745	1400	1246x785x745	*	1246x785x745	1046x585x438
61	1433	1551x785x725	1620	1551x785x745	1675	1551x785x745	*	1551x785x745	1351x585x438
81	2490	2044x950x882	2726	2044x950x902	2760	2044x950x902	4760	2044x950x902	1844x750x595
84	*	2125x1304x882	*	2125x1304x902	*	2125x1304x902	*	2125x1304x902	1925x1104x595

Weight - kgs. (* will be made available on request)

*All dimensions are in mm and Tolerance - dimensions ± 5%

SAFE WITH SAFE DEPOSIT LOCKER CABINETS

Give yourself the Double Edge Benefit of Space & Security

Need

It may not be economical or feasible to construct a vault room and provide safe deposit locker facilities everywhere. In such a case, the bank can offer Godrej Safe with Safe Deposit Locker Cabinets

Offering

Safe Deposit Lockers are housed in the **Godrej Defender Plus** range of safes. To cater to the varying needs of bankers, different sizes of lockers can be provided in varying combinations in 3 models of **Godrej Defender Plus Safes** - 61 with 29 lockers, 81 with 36, 46 & 56 lockers and 84 with 90 lockers*

*Customised Locker configurations can also be offered

- Tested as per BIS standard IS 550:2014

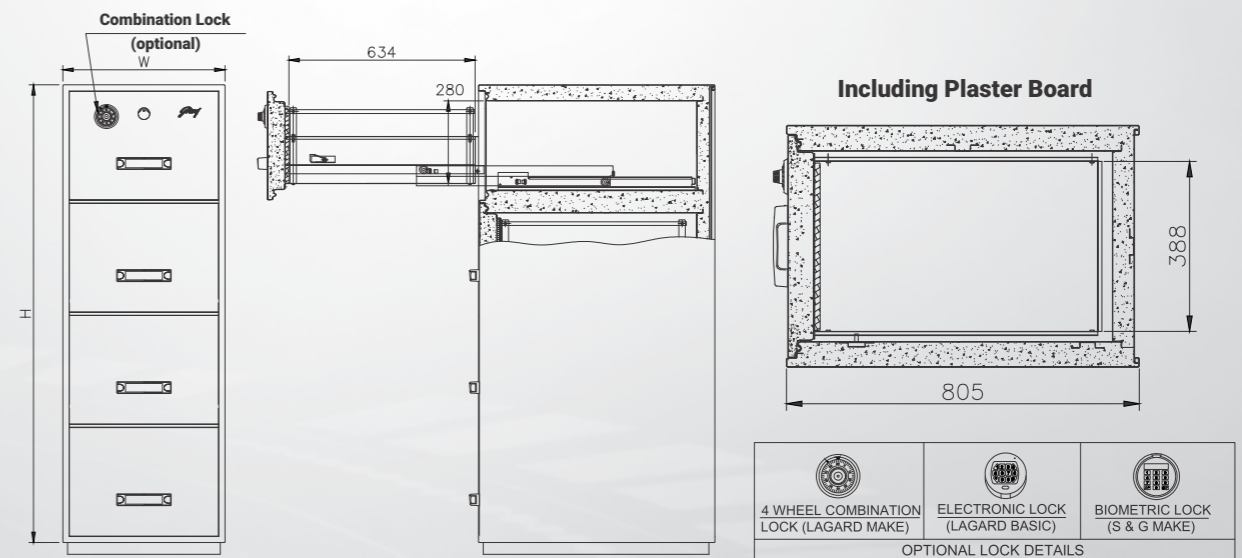


Features

- Can resist fire for one hour or two hours depending on the model
- Unequalled resistance to heat from fires and hot gases
- Unique fire resistant compound can resist more than 1000°C temperature
- Safe and ingenious locking mechanism with an emergency latch
- Drawer isolation catch for independent use and locking
- Press-button release handle with built-in index panel on each drawer
- **Certifications:** Holds license for 1hr and 2hr of Fire Endurance and Fire & Impact as per BIS IS 14561:2014

Unique Features

- **Tongue and Groove Construction** - Prevents the passage of hot gases in to the storage compartment.
- **Snap-shut Mechanism** - Minimizes the time taken to lock a safe during crisis situations.
- **Inert In-fill Material** - Retains fire-resisting properties for a prolonged period.
- **In-fill Material Structure** - Shields the cabinet from falling debris.
- **Unique Locking Solution** - Provides a mechanism to lock select cabinets whilst freely accessing others.
- **Locking Options** - Lever Key locks, Dual Control Gordian lock, 3-wheel Combination locks, Electronic Number locks and Biometric locks.



Cabinet	1Hr FRFC	1Hr FRFC LD	2Hr FRFC	2Hr FRFC LD
	HxWxD (mm)	HxWxD (mm)	HxWxD (mm)	HxWxD (mm)
4 Drawer	1591x543x805	1591x543x670	1599x551x835	1599x551x700
2 Drawer	827x543x805	827x543x670	835x551x835	835x551x700

*All dimensions are in mm and Tolerance - dimensions ± 5%



FIRE RESISTING FILING CABINETS

Fire proof your business

Need

A business with unprotected records is vulnerable to the risk of fire. It takes very little to start a fire, it could be a sparking wire, a smouldering cigarette butt, a short circuit and before you know it vital papers have been charred to ashes. Regular steel cupboards and cabinets cannot protect your documents from the ravages of a fire!

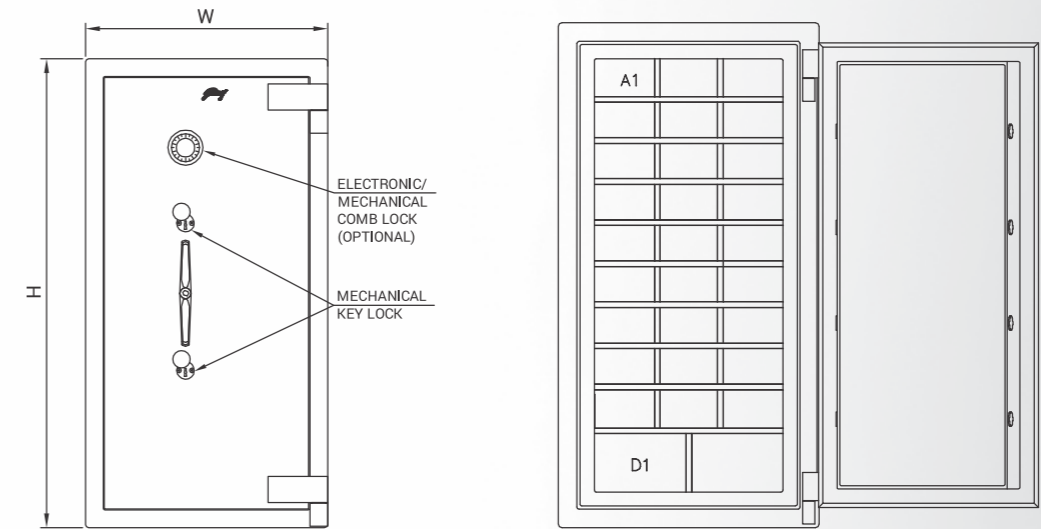
Offering

We know you can take the heat of your business and now your paperwork will too! Godrej Security Solutions brings you **Fire Resisting Filing Cabinets** that can withstand extreme temperatures exceeding 1000°C. Offering exceptional insulation and a robust construct, the cabinets can withstand falling debris and are designed to prevent hot gases and flames from entering the cabinet drawers.

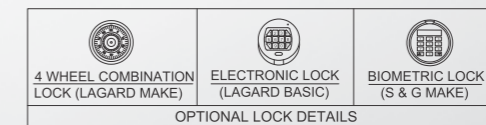
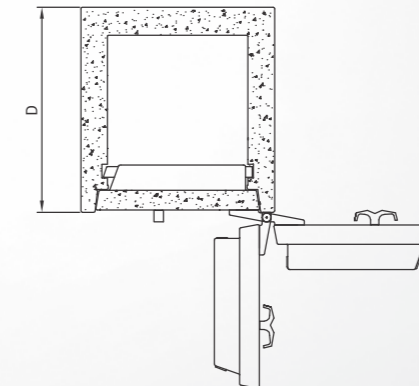


Certifying Body	Standard	FRFC 1Hr & LD FRFC 1Hr	FRFC 2Hr & LD FRFC 2Hr
BIS	IS-14561-2014	60mins	120mins
SP Sweden	NT-017	90mins	120mins
ECB-S	EN-15659	60mins (Highest rating available)	60mins (Highest rating available)

*All dimensions are in mm and Tolerance - dimensions ± 5%



ELEVATION- DOOR OPEN AT 180°



Model	Number of Lockers in Each Type										Gross Wt. (Kgs)	Overall Dimensions		
	A	A1	B	C	D	D1	E	F	F1	Height (H) (mm)		Width (W) (mm)	Depth (D) (mm)	
61 Def Plus Safe with 29 Lockers	-	27				2					1500	1550	785	725
81 Def Plus Safe with 36 Lockers	24			8				2	2		2675	2045	950	880
81 Def Plus Safe with 46 Lockers	40			4				2			2725	2045	950	880
81 Def plus Safe with 56 Lockers	56										2775	2045	950	880
84 Def plus safe with 90 Lockers	90										3600	2125	1300	880

*All dimensions are in mm and Tolerance - dimensions ± 5%

*Customised Locker configurations can also be offered



POP SAFES

Your Personal Cash Manager

Need

Daily cash in banking and other financial establishments is often stored in the drawers of cash counters or tables. Storing the cash in unfortified compartments make it an easy target with any small-time miscreant being able to jiggle open the drawer and make good with the cash.

Offering

Godrej POP safes secure temporary cash, enabling day-to-day operations to be conducted with ease. The riveted joints in these safes offer protection against burglary attempts while the walls of the safe are fortified such that it can resist even high intensity hammer blows.



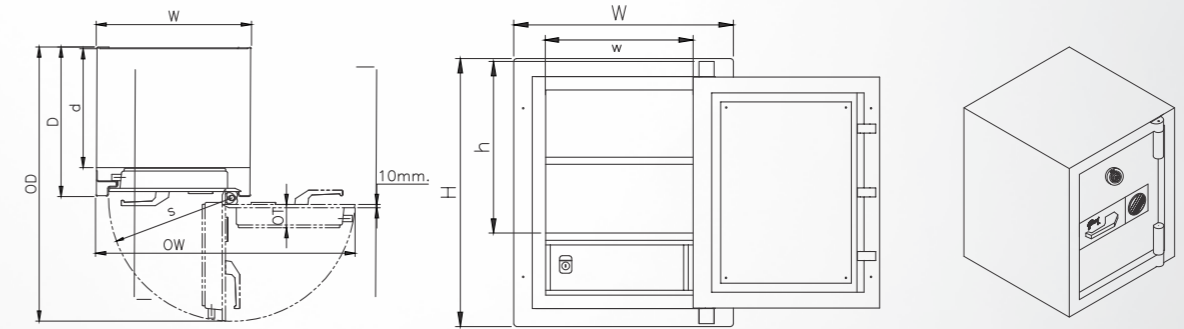
FIRE
RESISTANT
PRODUCTS

RANGE OF FIRE RESISTING PRODUCTS



Features

- Fully welded, multi-bend metal body
- Heavy plate door hinged on strong pivots in a solid steel bearing block
- 3 shooting bolts behind a rebate while the rear edge of its door acts like a continuous vertical bolt
- Drill resistant armour plate to protect the lock and the vital parts of the bolt
- High-precision, dual control, 6-lever lock operated by two keys
- A 3-wheel numerical combination lock can be provided
- A locker with a flap door and a lock for additional security
- Also available with coin slot and baffle tray inside
- Available in dual tone powder coated, Dark Grey/ Light Grey colour finish



Model	22 POP	27 POP
Outside in mm: HxWxD, W/o Handle	560x460x460	685x535x510
Inside in mm: h x w x d	553 (355+200 locker) 455x370	680 (480+200 locker) 530x420
Overall Depth of door at 90° (OD)	827	954
Overall Width of door at 180° (OW)	770	920
Overall Thickness (OT)	70	70
Internal Cubic Capacity (Litre)	80	140
Door Swing (S)	365	441
Godrej Locks	One 6 – lever Dual Control 'Guardian Lock'	One 6 – lever Dual Control 'Guardian Lock'
Lockers	One	One
Shelves	One (removable)	One (removable)
Weight Kgs.	80	102

*All dimensions are in mm and Tolerance - dimensions ± 5%



D-TEL DEPOSITORY SAFE

Security at your Cash Counters

Need

Cashiers often deal with large amounts of cash while conducting over-the-counter transactions with customers. Till this cash is moved into the vault room, the cashiers have to store these bundled notes at their counters. Most of these counters are ordinary wooden drawer cabinets with no additional security and pose easy targets for unscrupulous elements.

Offering

The **Godrej D-Tel Depository Safe** is designed specifically for cash counters in banks and financial institutions that see a constant cash flow. The depository safe comes with two drawers and a storage unit beneath it, offering the functionality of dividing the cash received into petty cash and bundled notes, and storing them separately.



KEY HIVES

Need

To ensure smooth operation of the vault room, a large number of keys need to be stored, inventoried and managed effortlessly - day in and day out.

Offering

Godrej Key Hive key cabinets come in two models and are loaded with keyboards that can hold up to 192 keys.

- Key Hive Model 1 has two keyboards and can secure up to 96 keys.
- Key Hive Model 2 has three keyboards and the capacity to secure 192 keys.



Key Hives

Model	Height (mm)	Width (mm)	Depth (mm)	Weight (Kgs)	Capacity No. of
Model - 1	530	460	150	15	96 Keys
Model - 2	530	460	150	20	192 keys

*All dimensions are in mm and Tolerance - dimensions \pm 5%

ACCESSORIES



STEEL SLEEPERS

Need

In regions of high humidity or in places where seepage and moisture are inevitable, it is important to take that extra step to keep your customers' valuables and documents safe and moisture free.

Offering

Godrej Steel Sleepers prevent moisture present in walls and floors from damaging the locker cabinets and are also handy in the eventuality of flooding, leakage or water logging - preventing water from reaching and damaging the contents of the locker.

Model	Height (mm)	Width (mm)	Depth (mm)	Weight
Steel Sleepers for SDL	575	100	63	6.5 Kgs/pair

*All dimensions are in mm and Tolerance - dimensions ± 5%

LOW SETTEE

Need

Accessing the lower lockers is often tedious, particularly for elderly patrons. Anything that makes the process comfortable and more convenient is always welcome.

Offering

The ergonomic **Godrej Settee**, with easily adjustable dual height settings (low settings), allows customers to comfortably access even the lowest level lockers.



STEP LADDER

Need

In case of tall vault room structures, top rows require easy accessibility.

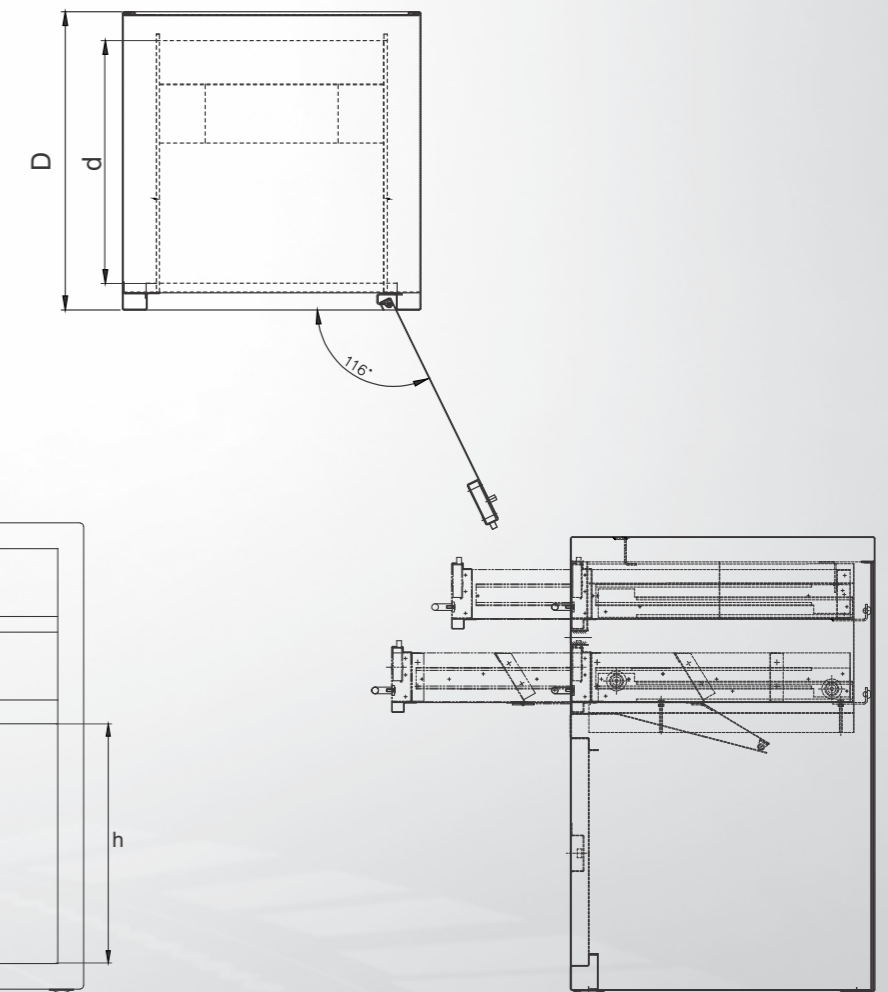
Offering

The **Godrej Step Ladder** offers customers easy reach and mobility enabling them to comfortably access even the top most lockers.



Features

- Made from prime quality CRCA steel
- Multi-bend construction, welded structure without a single rivet giving it enormous strength
- Two drawers with an option for snap-shut mechanism and a storage unit
- Depository mechanism in the second drawer to save cash in the storage unit below
- Cabinet has ideal height and can be doubled up as a desktop pedestal
- The cabinet can be grouted to the floor or side panel
- High-precision 6 lever lock for the drawers and the storage unit
- Two-tone powder coated finish to fight rust and corrosion



External H x W x D (mm)	Internal h x w x d (mm) Safe Storage Unit	No. of Drawers	Internal H x W x D (mm) Drawer
691x460x460	345x455x395	2	75x345x385

*All dimensions are in mm and Tolerance - dimensions ± 5%

GUN CABINET

Secure Firearms

Need

Armed security personnel are an integral part of a financial institution's security system and the firearms they use to protect the premises need to be stored in a reliable and secure storage unit. The absence of such storage is a security lapse for it could lead to the pilferage of arms and ammunition and the risk of guns and ammunition falling into unscrupulous hands.

Offering

The **Godrej Gun Cabinet** comes in various sizes from 2 Gun storage to 6 Gun storage and can safely secure double barrel and pump action guns, along with their ammunition.



Features

- Each cabinet comes with two easily accessible lockers at the top to accommodate ammunition
- Holes provided in each storage cabinet for wall or floor grouting

Benefits to Customers

- Round-the-clock access and quick retrieval times.
- Access in pleasant air-conditioned booths to enhance convenience and privacy.
- Customers can access their lockers simultaneously by provisioning for upto 4 separate booths thus cutting waiting time.
- The locker comes to the customer in the booth minus the inconvenience of accessing the top and bottom row lockers.
- Robotic technology provides high accuracy and reliability.

Features

- 10 locker sizes available
- Modular design
- Compatible with different types of safe deposit boxes
- Flexibility in layout to maintain customer privacy and security
- An option for incorporating a maximum of 4 operation booths for one system
- Option of changing the safe deposit locker box size after installation for maximizing occupancy

How Autovault works



- 1 1st Layer of Security**
A unique access card enables entry into the locker booth.



- 2 2nd Layer of Security**
Insert the card in the card slot.



- 3 3rd Layer of Security**
key in your 4-digit secret pin code on the LCD panel.



- 4 4th Layer of Security**
Use your unique finger identification to access the locker.



- 5 5th Layer of Security**
Use your unique key to unlock the locker.



AUTOVAULT

The smart access anytime locker

Need

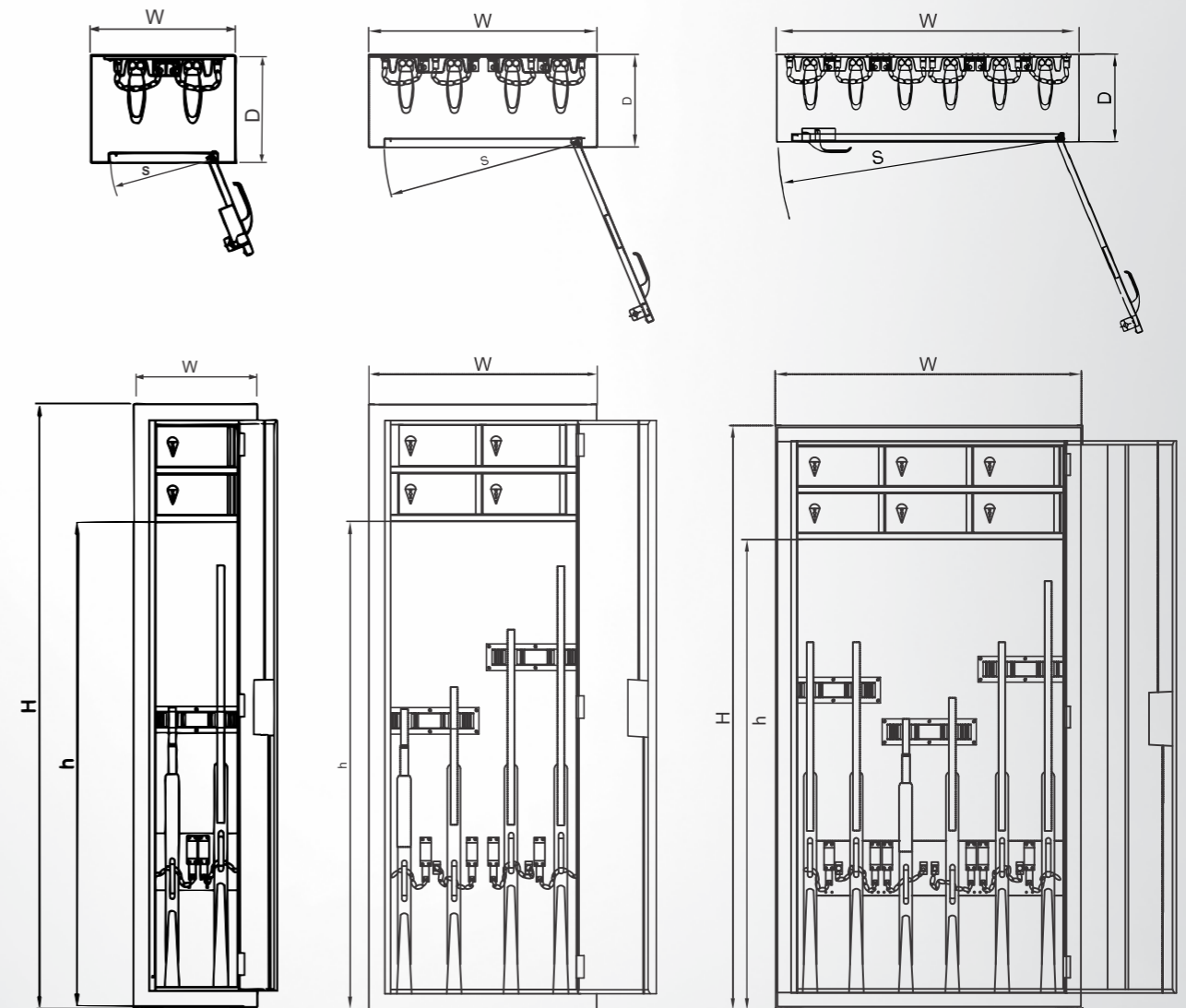
When multiple customers visit the vault room at the same time, they are gripped by insecurities in the absence of seclusion. Customers deserve convenient access to their valuables in absolute privacy whenever they visit the vault room and offering round-the-clock access could be one way of giving patrons the privacy they desire.

Offering

Godrej Autovault, the automated safe deposit locker with next-generation technology, lets customers access their belongings at the swipe of a card anytime without any hassles. With no requirement of manual intervention, the Autovault has a compact, space-saving design and can be customised basis available space. It comes with software that supports multiple languages while non-moving lockers can be replaced with in-demand lockers even after installation.

Benefits to Bankers

- An excellent tool for customer retention.
- Does not need a custodian to operate the lockers.
- No manual Intervention required.
- A premium service that will lead to higher revenues on account of higher rent.
- Highly compact in terms of locker to space ratio.
- 10 different locker sizes to target diverse customer requirements.
- Highly customizable lockers where non-moving lockers can be replaced with in-demand lockers even after installation.



Specifications	2 Gun	4 Gun	6 Gun
External Dimension H x W x D (mm)	1700x350x260	1700x640x260	1700x895x260
Internal Dimension h x w x d (mm)	1370x347x215	1370x637x215	1370x892.5x215
Locker Inside H x W x D (mm)	114x195x130	114x225x130	114x225x130
Door Swing (mm) (s)	250	545	800
Overall Depth when door is at 90° (mm)	500	805	1050
Body & Door	18 Gauge	18 Gauge	18 Gauge
Lockers	Two	Four	Six
Guardian Key Lock	One	One	One
Shooting Bolts	Two	Two	Two

*All dimensions are in mm and Tolerance - dimensions ± 5%

*Customised sizes available for storage of more guns



SAFE ACCESSORIES

Additional security for complete peace of mind

STEEL STANDS

Need

In areas prone to water logging and flooding, the security of a safe and its contents is of vital importance. So along with security, protection from moisture is something that needs to be taken into consideration.



Offering

Customised **Steel Stands** specially designed for Defender Plus Safes keep the safe protected in the event of flooding or water logging. The stands can be customised, basis the height sought, to enable ease of accessibility.

Item No.	Model	Height (mm)	Width (mm)	Depth (mm)
1	26 Defender Plus Safe	600	550	575
2	31/41 Def. Plus Safe	600	655	680
3	49/61 Def. Plus Safe	450	805	730

*All dimensions are in mm and Tolerance - dimensions ± 5%

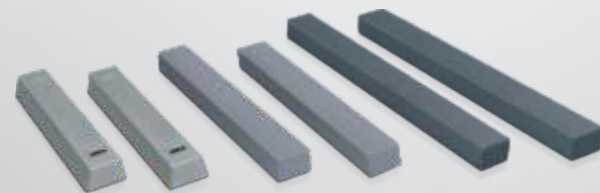
STEEL SLEEPERS

Need

In regions of high humidity or in places where seepage and moisture are inevitable, it is important to take that extra step to keep your customers' valuables and documents safe and moisture free.

Offering

Godrej Steel Sleepers prevent moisture present in walls and floors from damaging the locker cabinets and are also handy in the eventuality of flooding, leakage or water logging - preventing water from reaching and damaging the contents of the locker.



Item No.	Model	Qty / Set	H	W	L	WT. / Set
1	61 SD DEF. Safe	2	65	90	695	3.5 Kgs
2	61 DD DEF. Safe	3	65	90	695	3.5 Kgs
3	81 DEF. Safe	2	65	90	915	4.5 Kgs

*All dimensions are in mm and Tolerance - dimensions ± 5%

Internal Dimensions in mm	TYPES OF INDIVIDUAL LOCKERS IN GODREJ SAFE DEPOSIT LOCKER CABINETS										
	A	B	2A	D	2B	4A	2D	4B	2B1	4D	4D1
	A	B	C	D	E	F	G	H	H1	L	L2
Height	125	159	125	189	159	278	189	321	321	404	385
Width	175	210	352	263	424	352	530	424	210	530	530
Depth	492	492	492	492	492	492	492	492	492	492	492
Type of S. D. L. Cabinet	QUANTITY OF S. D. L. CABINETS										
1	66		6		3						
1A	90										
2		46			2			2	1		
2B		60									
3				28			2			2	
1C/45			45								
1F/21						21					
3D/40				40							
3G/20							20				
L2/10**											10
1A/UB/1B	18										
1A/UB/24	24										
1A/UB/30	30										
H/SP/12								12			
E/SP/24					24						
H1/SP/30									30		

Total Qty. of S. D. Lockers (Per Unit)	Overall Dimensions of S. D. L. Cabinet in mm. HxWxD (Approx.)	Net Weight in Kgs. (Approx.)
75	1075x2000x575	695
90	1075x2000x575	715
51	1075x2000x575	605
60	1075x2000x575	655
32	1075x2000x575	535
45	1075x2000x575	655
21	1075x2000x575	525
40	1075x2000x575	560
20	1075x2000x575	520
10	1075x2000x575	475
18	1075x400x575	135
24	1075x525x575	180
30	1075x650x575	225
12	865x2000x575	408
24	865x2000x575	460
30	1075x2000x575	525

*All dimensions are in mm and Tolerance - dimensions ± 5%

Secunex Accessories



IntelliLight:

An advanced LED light, which gets activated on detecting motion, the magnetic back of the light enables the user to place it anywhere inside the locker to gain better visibility into deep recesses.



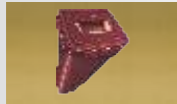
Memory Log with pen:

Complimentary with every SECUNEX locker, this diary lets your customer maintain an inventory of the valuables stored.



SECUNEX Keychain:

A distinctive keychain for quick access and easy visibility.



Secupro:

An airtight and watertight locker accessory, designed to combat humidity, dampness, termites and silverfish is ideal to store documents and valuables in any locker.

Accessories



Inspection Table



Step Ladder



Low Settee



Renter's Personal Lock

STRONG
ROOM
DOORS



STRONG ROOM DOOR

Reliable, Reinforced Security

Need

Establishments like banks and businesses are always under the scanner of unscrupulous eyes, raising an ever-increasing threat to their security. As technology evolves, break-in attempts are also getting more sophisticated with burglars using advanced state-of-the-art tools to attempt their brazen heists. Needless to say, the first step is to fortify the first point of attack - the strong room door.

Offering

Godrej Strong Room Doors combine unique Double Duty Barrier (DDB) material and Torch & Drill (TDR) Matrix to offer superior resistance, not only against common hand tools, picking tools and impact tools, but also against oxy acetylene torches.

Strong Room Door Class I

Consists of a composite slab of thickness 18mm, made of a special layer of flame and arc-resistant alloy that protects against fire, power drilling, oxy acetylene torch and arc cutting. It is further fortified with a composite 62mm layer of Godrej Double Duty Barrier (DDB).

Strong Room Door Class II

Consists of a 25mm slab of Torch & Drill Matrix Slab (TDR), to protect it from attacks by impact tools, drills, oxy acetylene torch and arc cutting. It is further fortified with a 65mm layer of Godrej Double Duty Barrier (DDB). Door comes along with clenching mechanism



Strong Room Door Class II



Clenching Mechanism



SECUNEX

Next-gen Safe Deposit Lockers

Need

A bank locker doesn't just hold valuables. It holds a customer's faith in the bank and it holds your reputation. The whole experience of a security locker, from a patron's perspective, is a very personal one. So thoughtful measures that enhance convenience go a long way in reinforcing an institution's credibility and heightening your customer's banking experience.

Offering

The outcome of extensive research, **Godrej Secunex** is our most thoughtful security locker yet and is designed to enrich the customer experience. Equipped with unique features and complimentary innovative accessories, Godrej Secunex lockers come in a range of sizes that can be customised to ensure optimal usage of space. Godrej Secunex also comes with the added security of ultra keys, which is hard to be duplicated within the strong room.



Features

- High quality steel structure for unmatched strength
- 10 mm thick solid steel door for enhanced protection
- High precision, unpickable, dual-control 7-lever lock
- Built-in 6-lever lock as renter's personal lock
- A padlocking hasp can be fitted on locker doors for additional security
- Available with independent lockers of 10 different sizes
- Equipped with Godrej Ultra Lock - based on multi-row pin cylinder technology
- Available in 2 different fascia options: Sterling Silver, Glittering Gold



SAFE DEPOSIT LOCKER CABINET

Reinforced Security

Need

A bank's infrastructure is limited, bound by the constraints of space and real estate costs. Nonetheless, banks want to broaden their customer base and are constantly in the process of securing new patrons. As a result, banks need a customisable solution to accommodate new customer requirements, within this set space.

Offering

Godrej Safe Deposit Lockers offer unmatched flexibility when it comes to optimizing vault room space. Available in 10 different types of basic locker units with over 1600 configurations, **Godrej Safe Deposit Lockers** come with the added security of ultra keys, which is hard to be duplicated within the strong room.



Features

- High quality steel structure for unmatched strength
- 10 mm thick solid steel door for enhanced protection
- High precision, unpickable, dual-control 7-lever lock
- Built-in 6-lever lock as renter's personal lock
- A padlocking hasp can be fitted on locker doors for additional security
- Available with independent lockers of 10 different sizes
- Equipped with Godrej Ultra Lock - based on multi-row pin cylinder technology

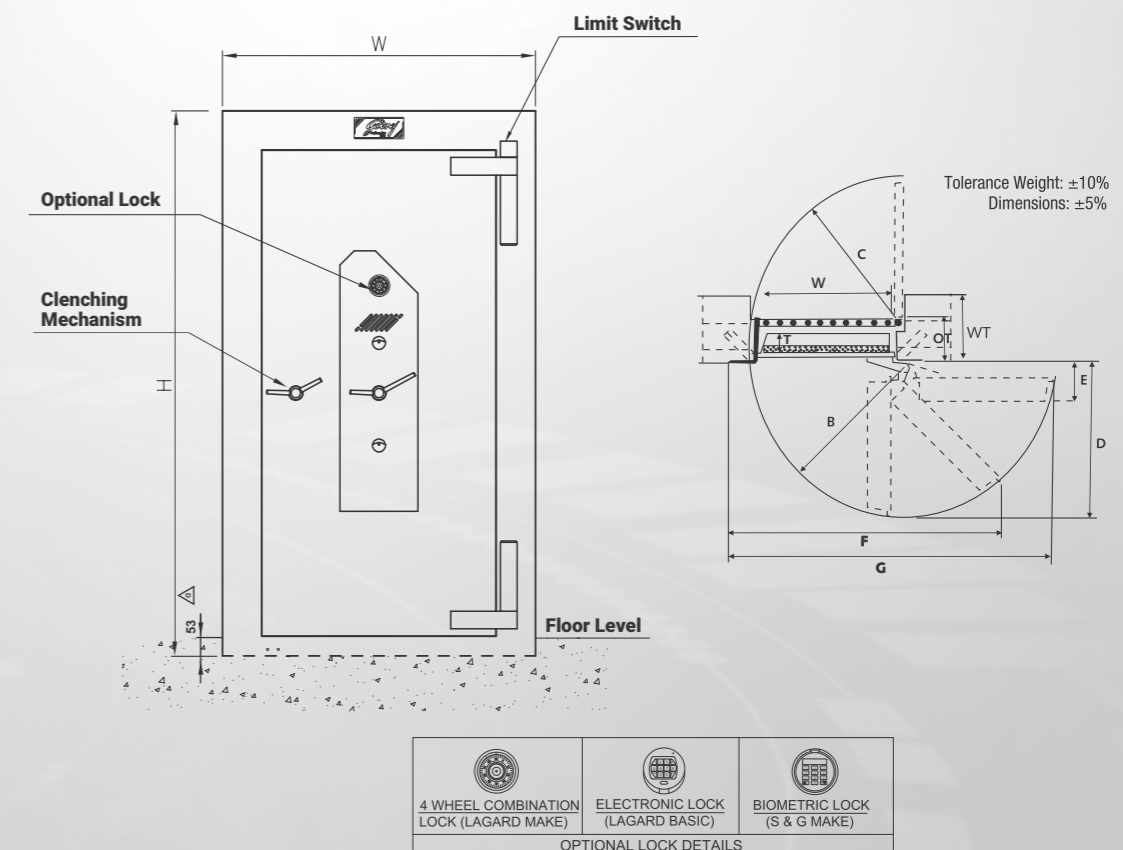
Features

- Superior quality 10 mm thick MS plate in a one piece bent angle door frame
- A unique two step door construction
- Godrej Double Duty Barrier material provides reliable protection against fire
- 12 shooting bolts, each of 38 mm diameter are provided in front and rear to secure the door
- Balanced pressure bolt to protect against dislodging attempts by creating equal neutralizing pressure from within
- Impact resisting shaft for handle which defeats attempts to hammer it in
- Locks and re-locking devices are protected by specially designed drill-defeat shield
- Automatic re-locking device deadlocks the door in case of explosives or mechanical attacks
- Grill gate is secured with high-precision 8-lever lock, and opens on both sides
- Fitted with two dual control high precision 8-lever locks from Godrej*
- A relay micro switch is provided inside to control the lighting inside the vault room
- Tested as per BIS standard IS 11188:2014

*Locking Mechanisms are also available in (a) Combination Lock (b) Electronic Lock (c) Biometric Lock (d) Time Lock

Classification	TRTL (Torch & Tool Resistant)	Godrej & Boyce Equivalent
Class C	TRTL 15, FR 30	CL. I Defender Plus
Class B	TRTL 30, FR 30	CL. II Defender Plus

*All dimensions are in mm and Tolerance - dimensions $\pm 5\%$



Specification	Nomenclature	CLASS-I	CLASS-II	CLASS-II
		Without Clenching		With Clenching
Overall size (mm)	HxW	2178x1220	2178x1220	2178x1250
Clear opening (mm)	HxW	2003x910	2003x910	1953x910
Thickness of door with lockcase (mm)	T	167	187	187
Thickness over lock and vital parts (mm)		85	105	105
Overall door thickness including frame and grille gate (mm)	OT	285	285	285
Recommended for wall thickness (mm)	WT	305-380	380-460	380-460
Door swing (mm)	B	1045	1045	1045
Grille gate swing (mm)	C	1040	1040	1040
Projection of door when opened at 90° (mm)	D	1085	1085	1085
Projection of door when opened at 180° (mm)	E	265	285	285
Overall width of door and frame for max clear opening (mm)	F	1850	1850	1865
Overall width of door and frame when fully opened (mm)	G	2205	2205	2220
Weight (kg)		1035	1120	1200

*All dimensions are in mm and Tolerance - dimensions \pm 5%

SAFE
DEPOSIT
LOCKERS

V-CAGE

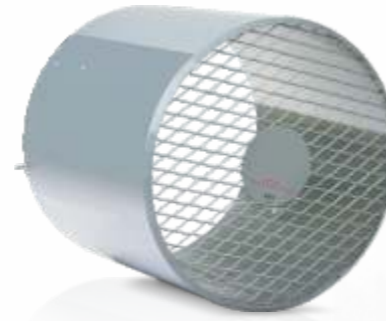
Enhancing Ventilation

Need

Exhaust fans are prone to accidents due to the high fan speed. Any mishap in a high security zone, such as a vault room, is invariably associated with potential security risks that a bank cannot afford to take.

Offering

The **Godrej V-Cage** is a protective cage that encloses the exhaust fan and reduces the risk of accidents. It has a wire mesh on one end to prevent the direct access of air to the fan thus preventing unwanted material from entering the fan and jamming it. The V-Cage also protects the fan from humidity, fire and dust.



V-Cage specifications

V-Cage	Weight (Kgs)		Packaging Dimensions (mm)		Colour
	Net	Gross	Diameter	Depth	
	11	13	420	370	

Recommended Guidelines for ventilation requirements

Situation	Volume (A)	Air Changes / hr. (B)	Air Movement (AxB)	Exhaust Fan Reqd.
Office	20m x 10m x 3m = 600m ³	10	6000 m ³ /hr	3 Nos. 327 mm / 1400 rpm
Strong Room	5m x 5m x 3m = 75m ³	8	600 m ³ /hr	1 Nos. 327 mm / 1400 rpm

*All dimensions are in mm and Tolerance - dimensions ± 5%

AIR VENTILATOR

Safety within Utility

Need

Proper air passage and ventilation are essential requisites for a vault room with at least 6 air changes being recommended per hour.

Offering

The **Godrej Air Ventilator** ensures air passage and proper ventilation in the vault room by pushing out the air from the fan through a box shaped steel channel. The air ventilator can be adjusted within 300mm to 460mm for a perfect grip on the wall. It is fitted with a 10mm thick MS front and rear plates reinforced with 5mm thick Oxy-Acetylene flame resisting plate. Its welded structure protects it against burglary while a pair of baffle plates ensures no flames enter the vault room directly, in the case of a fire breakout. The Godrej Air Ventilator also has perforations to ensure proper airflow.



Universal Air Ventilator Specifications

Universal Air Ventilator	Weight (Kgs)		Packaging Dimensions (mm)			Colour
	Net	Gross	Height	Width	Depth	
	70	85	485	485	425	

*All dimensions are in mm and Tolerance - dimensions ± 5%



HIGH SECURITY DOOR

Better than the Best

Need

Currency chests are a vital part of banking functions as cash is constantly shifted in and out of it. A common target for criminal elements, currency chests are prone to burglary attempts, which in today's times often involve advanced tools and state-of-the-art implements.

Offering

The **Godrej High Security Door** is specially designed for currency chest applications, and is engineered to withstand attacks by common hand tools, power tools, picking tools and arc-cutting torches. The High Security Door's resilient construction is defined by its unique design and strong barrier material like Torch and Drill Resistant Matrix (TDR).



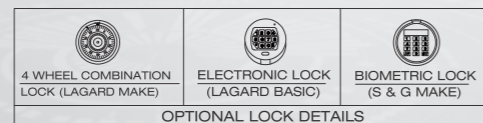
Limit Switch

Features

- **Door Frame:** The door frame is one piece bent rivet-less fully welded 'C' frame imparting superior strength and sturdiness besides giving it a lasting aesthetic finish.
- **Rebate:** 65mm deep box jamb rebate protects shooting bolts against numerous forms of burglary viz. oxy-acetylene flame or electrical arc cutting. Deeper box jamb rebate offers greater resistance against attacks of dislodgement including hydraulic jack attack.
- **Height Adjustment Mechanism:** It comes fitted on the door and pivots for perfect alignment of the door. It allows smooth effortless movement on pivots with arrangements to fine-tune the door movement vertically at site.
- **Door Slab:** The door slab is made using a special monolithic Torch and Drill Resistant layer (TDR Matrix) which is cast-in-situ. TDR is unique to Godrej and it is this, which gives the necessary burglar resistance to our doors. Fire resistance is provided by double duty barrier material, which is filled in addition to the TDR material.
- **Automatic Deadlocking Device - 2 nos.:** Independent, highly sensitive deadlocking devices protect each of these locks against explosives, acid and other tool attacks through the keyhole. These get activated whenever attempts are made to dislodge the lock.
- **Locking Mechanism:** The locking mechanism has a balanced pressure bolt work, which balances the handle operating force by converting it into an equal and opposite balanced force on the lock bolt. This ensures that any force on the pilot wheel is not transmitted to the lock fixing bolts.
- **Shooting Bolt:** A 4-way shooting bolt mechanism - total 16 nos., 6 nos. each on left and right, and 2 nos. each on top and bottom. Shooting bolt on each side offers extra burglar resistance.
- **Locks - 2 nos.:** High precision, un-pickable, dual control locks fabricated using all brass body, brass levers and phosphor-bronze springs and stainless steel keys, which make the lock operations, smooth and effortless. In addition to these locks, one 4-wheel combination lock (100 million combinations) is also provided as a standard feature.
- **Grille Gate:** It is fitted with a high precision 8-lever all brass dual control lock operable from both sides. The Grille gate opens by 180 degrees allowing free use of the inside space.
- **Limit Switch:** Pivot operated limit switch for internal room lighting.
- **Certification:** Tested as per BIS standard IS 11188:2014

Classification	TRTL (Torch & Tool Resistant)	Godrej & Boyce Equivalent
Class A	TRTL 60	HSD 65 MM
Class AA	TRTL 120	HSD 90 MM
Class AAA	TRTL 180	HSD 150 MM

*All dimensions are in mm and Tolerance - dimensions ± 5%



ACCESSORIES

Additional comfort, more convenience and improved security

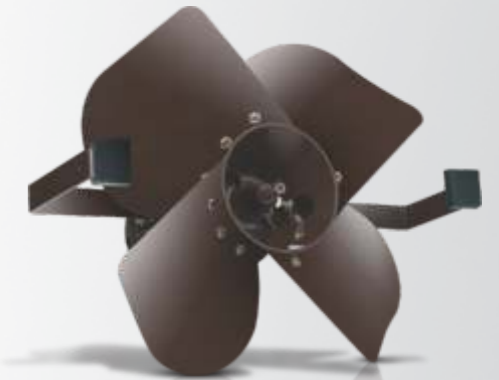
AIR EXHAUST FAN Ventilation for Protection

Need

The air in the vault room needs to be changed as frequently as possible with 6-8 air changes being recommended per hour.

Offering

Godrej Air Exhaust Fans circulate fresh air to ensure better ventilation. The dynamically balanced blades on the bearings ensure prolonged life, while the polyurethane coating resists corrosion. A braced and varnished vacuum impregnated stator winding is used to make them non-hygroscopic.



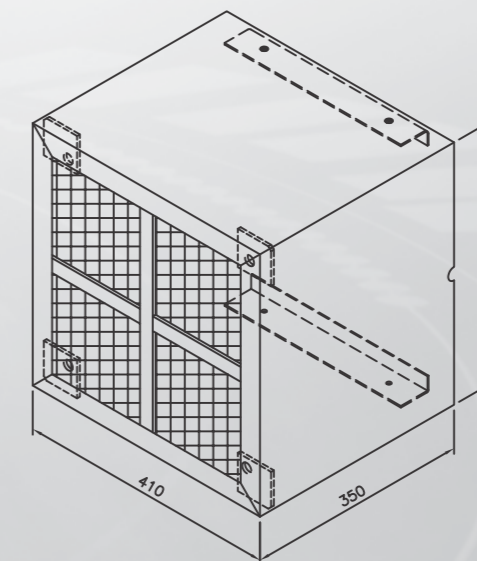
Air Exhaust Fan specifications

Cage for Exhaust Fan	Packaging Dimensions (mm)		
	Height	Width	Depth
	410	410	350

Performance data of Exhaust Fan

Fan Diameter (mm)	Speed (rpm)	Power (watts)	Phase	Current (amp)	Max. Free Air	
305	1400	85	Single	0.36	2000 m ³ /h	1178 ft ³ /min

*All dimensions are in mm and Tolerance - dimensions ± 5%



TANG BARS

Security Reinforced

Need

Banks branches today face threat to the security of the stored valuables from burglars who are equipped with the most modern tools. Valuables stored inside vault rooms and in currency chests are vulnerable to threats if protection is not reinforced. As technology advances break-in attempts and attacks on strong room doors are no more crude amateur affairs with burglars equipped with most modern tools. Hence it is necessary to make the vault rooms in the branches impenetrable to these burglars from every direction i.e. walls, floors, and roof slabs

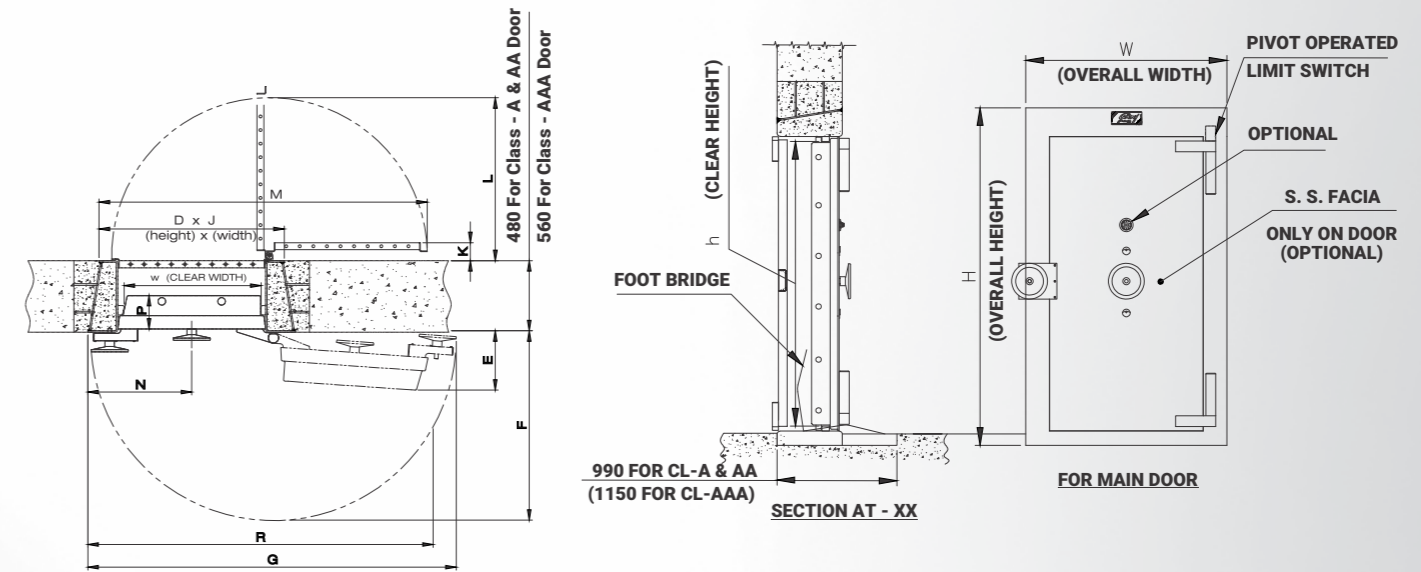
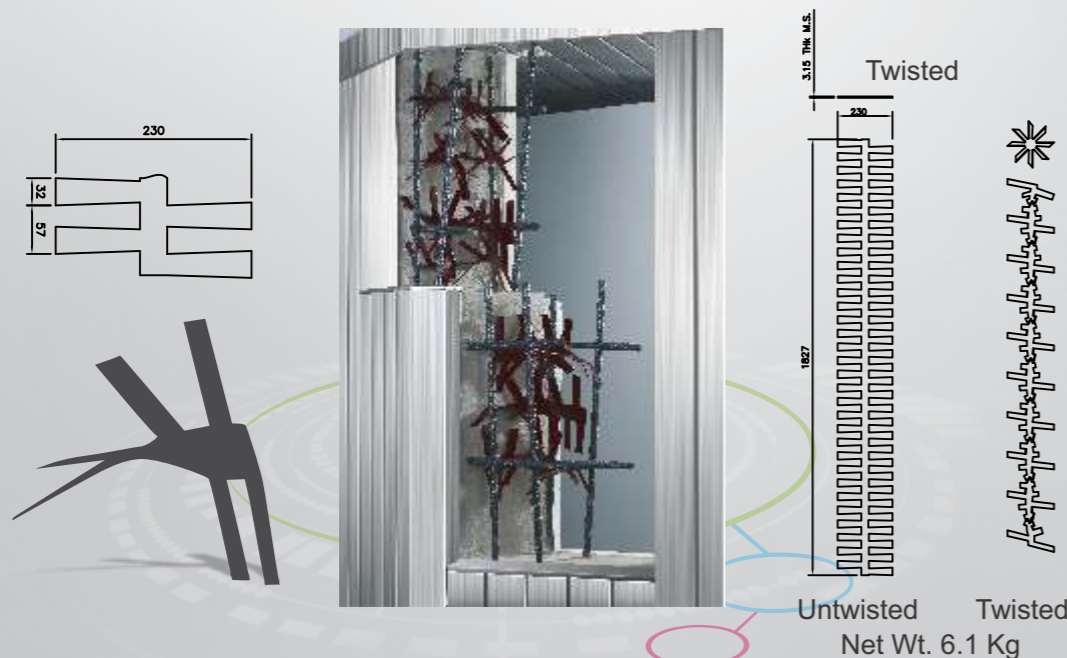
Offering

Introducing Godrej Tang Bars, which when used in construction, reinforce the vault room against attacks from any direction. These Tang bars used to reinforce the high security vaults are made out of MS steel sheets. These strips are punched to form a double combed structure and are twisted before being laid in the wall, floor or roof, reinforcing the high security of vaults.

Features

- Reinforcement is made from mild steel strip to form a double comb structure
- The weight of a single Tang Bar is 6.1 Kg
- The comb strip is twisted into cylindrical shape, forming fangs in all directions
- These fangs overlap and interlock each other and are distributed in walls, roof and floor in a way that they deflect incoming drill giving resistance to burglary attempts made on the vault room
- The tang bars are laid horizontally in one, two or three rows

As Per IS: 15369		
Currency Chest (Vault Room)	Wall Thickness	No of Rows of Tang Bars
Class B	300mm	0
Class A	450mm	1
Class AA	450mm	2
Class AAA	600mm	3



Decription	Reference	Main Door Class-A (65mm) Defender Door	Main Door Class-AA (90mm) Defender Door	Main Door Class-AAA (150mm) Defender Door
Overall size over door frame (mm)	HxW	2350x1400	2350x1400	2400x1515
Clear opening door open at 180° (mm)	hxw	1970x915	1970x915	1970x915
Projection of door open at 180° (mm)	E	350	375	435
Projection of door open at 90° (mm)	F	1305	1305	1320
Overall door thickness (mm)	P	200	225	285
Overall width of door and frame when door is opened at 180° (mm)	G	2535	2535	2635
Minimum overall width of door and frame to give maximum clear opening (mm)	R	2290	2320	2470
Size of door frames (Rear) (mm)	DxJ	2278x1252	2276x1252	2276x1267
Projection of grill gate when opened at 180° (mm)	K	118	118	118
Projection of grill gate when opened at 90° (mm)	L	1100	1100	1115
Overall width of grill gate and frame when grill gates open 180° (mm)	M	2220	2220	2250
Centre line of door opening to edge of frame (mm)	N	708	708	773

*All dimensions are in mm and Tolerance - dimensions ± 5%



SINGLE SHUTTER GRILLE GATE

180° Accessible Security

Need

Customers rely on the bank's high security vault rooms to keep their cash, valuables and important documents safe. A single layer of security is not adequate for a vault room for it also undermines the vault operator's security. Hence, a robust layer of security is needed to secure the vault room, such that it protects, as well as offers discretionary access to the vault room door.

Offering

The **Godrej Single Shutter Grille Gate (SSGG)** creates separate workspaces within a vault room while providing additional security to the vault room and personnel inside it. The SSGG can be locked from both the sides, thus avoiding a security breach in emergency situations.

Features

- Has a dual control high precision 8-lever lock
- Can be operated from both sides giving operational ease
- Enhanced operator's security

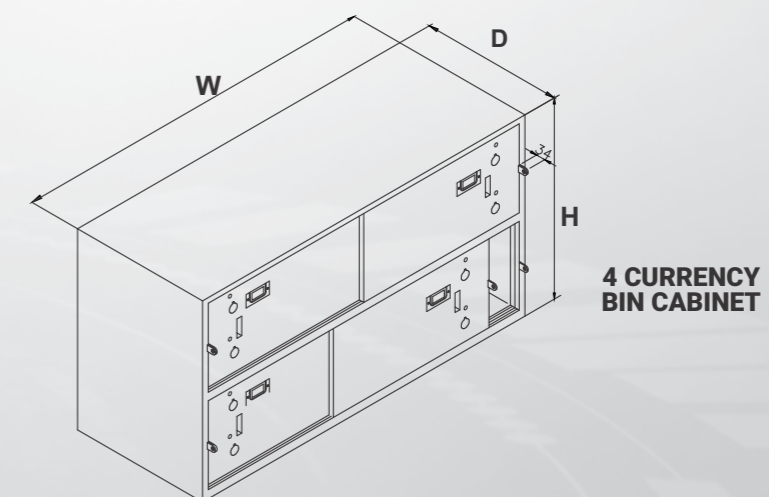
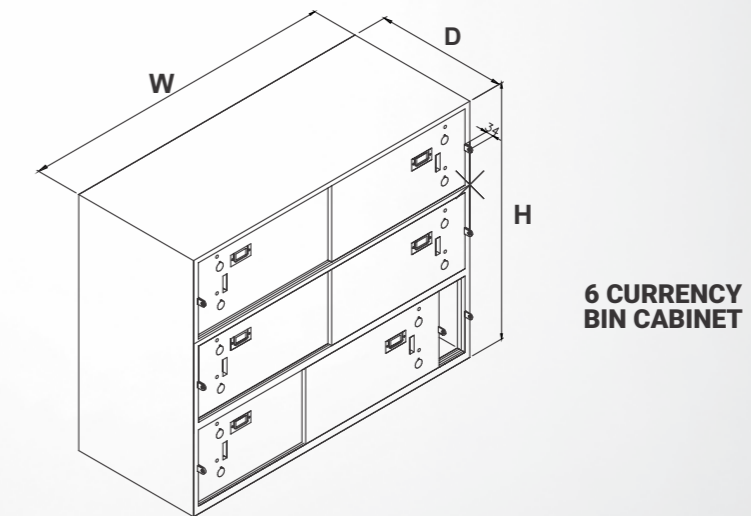


Features

- Fully welded multi-bend construction without a single rivet
- Two highly precise 6-lever locks with a hasp for additional security
- Unique flag indicator that indicates whether a cabinet is locked or not

Currency Bin Cabinets	6 bin	4 bin	4 bin Spl.
Height (mm) (H)	1472	990	990
Width (mm) (W)	1830	1830	1830
Depth (mm) (D)	760	760	610

*All dimensions are in mm and Tolerance - dimensions $\pm 5\%$





CURRENCY BIN CABINET

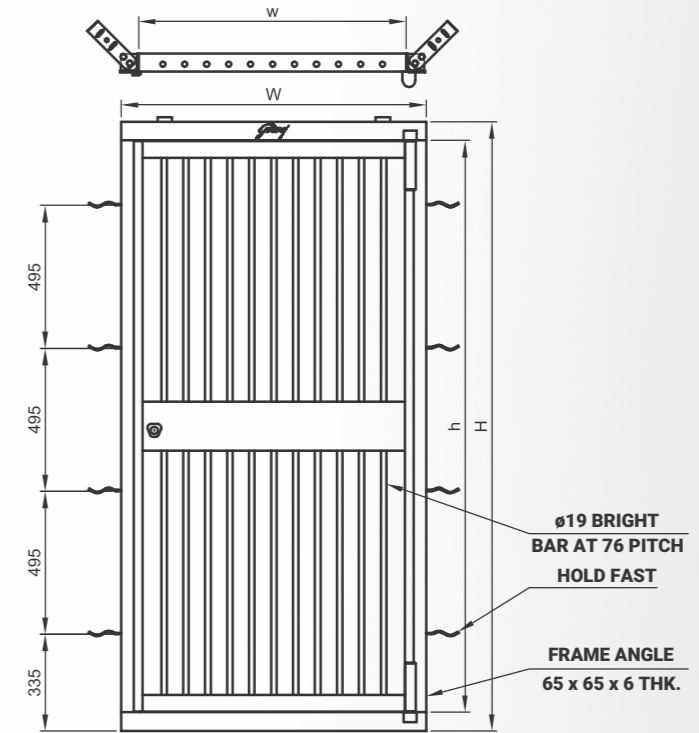
Cash storage made convenient

Need

Banks often store large amounts of cash on premises and bank officials need immediate access to the cash holdings at ease without exposing the large sums of money to unscrupulous eyes. The ideal solution would be an easy to access cash storage device that can be fitted securely in the vault room.

Offering

The **Godrej Currency Bin Cabinet** not only minimizes the need for frequent transportation but also maximizes cash storage - offering both convenience and security. The Currency Bin Cabinets are easy to access via a sliding mechanism and are designed keeping in mind the standard strong room sizes and configurations to make optimal use of the available space.



Overall Size (Front):	Clear Opening:	Gross WT (kgs)
HxW = 2110mm x 1055mm	hxw = 1980mm x 925 mm	200

*All dimensions are in mm and Tolerance - dimensions ± 5%

EMERGENCY DOOR

Uncompromised Security

Need

Since a vault is a high security, high-risk area, it is designed to shut itself automatically in the event of a burglary attempt. In such an eventuality, employees of the bank, who happen to be within, need a safe passage out of the vault.

Offering

In case of an attack, the intelligent safety mechanism from Godrej automatically deadlocks the vault room. However an **Emergency Door** is also provided that offers a safe and secure passage to employees trapped in the vault room during such situations.

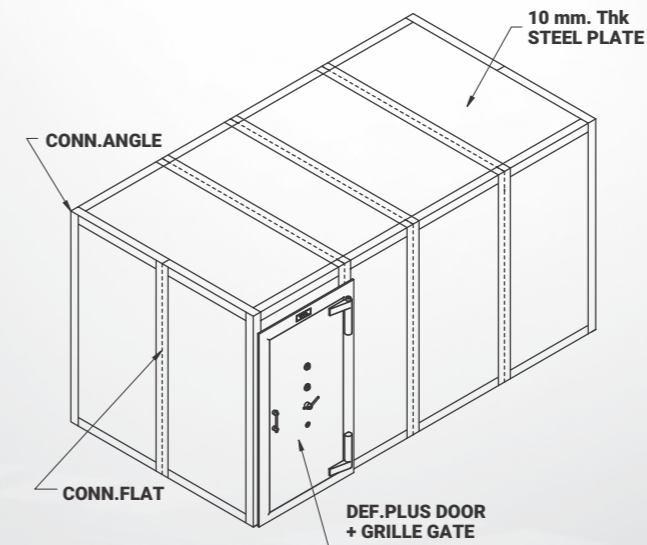
Features

- Customisable as per the vault room and currency chest needs
- Can be combined with plenum chamber for requisite ventilation

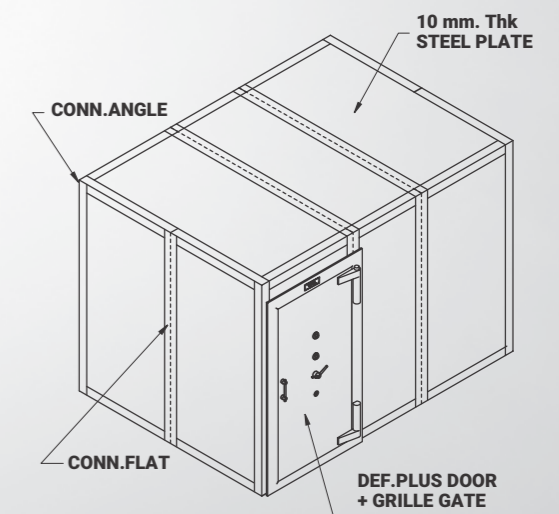


Features

- Can be assembled and dismantled as and when required.
- Knockdown design makes transportation easier, and minimises disturbance to the existing layout during erection.
- Fitted with Godrej Defender Plus Class I Door of Class 'C' category.
- Doorframe fabricated from bent angle section, and secured to the front wall of the room with strong lines of rivets and bolts turned from inside.
- The sides, top and bottom are fabricated using 10mm thick, prime quality steel plates held together with rivets and bolts.
- Optionally, the strong room is also available lined with Godrej unique Non-conducting Fire-Resisting Bricks that are effective for years and do not deteriorate with age.
- All components are anti-rust treated and supplied in red primer.
- Available in two standard sizes (H)8ft x (W)11ft x (D)8ft and (H)8ft x (W)15ft x (D)8ft, but can be manufactured to suit client requirements on request.
- Lined with firebricks from outside making it fire resistant for upto 120 minutes.



SFSR - 8' D x 15' W x 8' H



SFSR - 8' D x 11' W x 8' H



STEEL FABRICATED STRONG ROOM

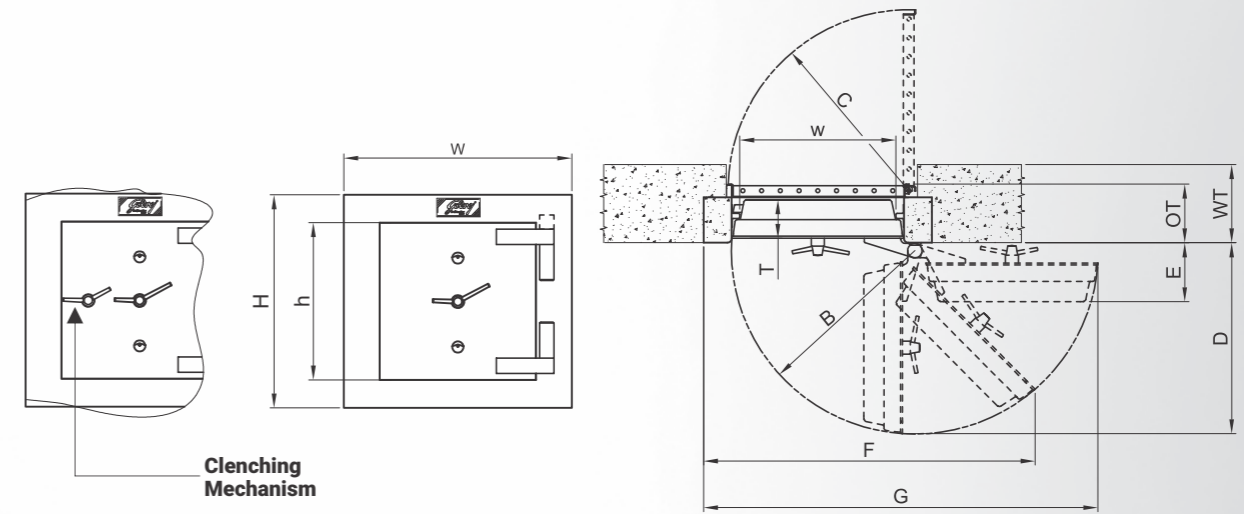
Security deployed at your convenience

Need

Banks need to manage the movement of valuables and the inflow and outflow of cash seamlessly under the best possible security systems. However, regular vault rooms take time to set-up and portability is invariably an issue should a bank shift location or if the lockers need to be moved as part of a bank's expansion plans.

Offering

Introducing the **Godrej Steel Fabricated Strong Room**. Fitted with a Godrej Defender Plus Class I Door, the Strong Room is fire and burglary resistant and is fabricated from prime quality steel plates. Modular in design, it is lined with fire resisting bricks on the outside and can be easily set-up or dismantled, allowing for quick and efficient transportation.



Decription	Reference	Emergency Door Class-C (65mm) Defender Door	Emergency Door Class-B (65mm) Defender Door	Emergency Door Class-A (65mm) Defender Door	Emergency Door Class-AA (90mm) Defender Door	Emergency Door Class-AAA (150mm) Defender Door
Overall size over door frame (mm)	HxW	1034 X 1107	1034 X 1107	1200x1235	1200x1235	1300x1350
Clear opening door open at 180° (mm)	h x w	764 X 757	764 X 757	730x750	730x760	730x750
Projection of door open at 180° (mm)	E	265	285	350	375	435
Projection of door open at 90° (mm)	D	980	980	1140	1140	1155
Overall door thickness (mm)	T	167	187	200	225	285
Overall door thickness with frame & Grill Gate (mm)	OT	285	285	480	480	560
Overall width of door and frame when door is opened at 180° (mm)	G	1930	1930	2210	2210	2285
Minimum overall width of door and frame to give maximum clear opening (mm)	F	1630	1650	1980	2020	2155

*All dimensions are in mm and Tolerance - dimensions ± 5%

PLENUM CHAMBER

Security for Utility

Need

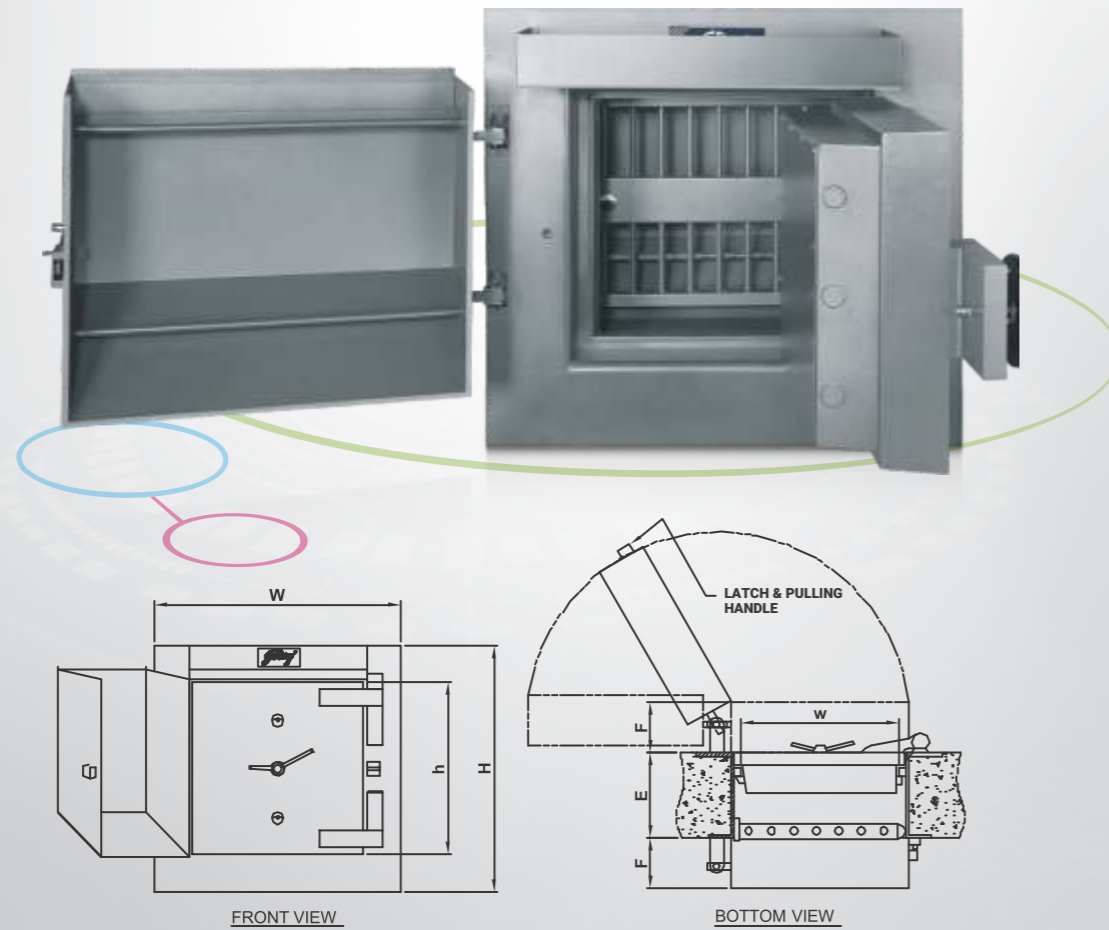
Air ducts are essential to maintain the cooling and ventilation of the vault room. However, ventilation assembly can raise security concerns as the air ducts are directly connected to the external environment and are often wide enough to accommodate a human.

Offering

The **Godrej Plenum Chamber** can be attached to your strong room setup to provide forced ventilation into the vault. Designed to prevent intrusion into the vault rooms via the air ducts, their unique mechanism lets only air pass through and not infiltrators!

Features

- Provides desired level of ventilation in the vault room
- Can be connected to the air ducts of the vault room



Model	W	H	w	h	E	F	CL. OPENING
Def. Plus Class-C Door	1067	994	757	764	325	305	WxH (mm)
Def. Plus Class-B Door	1167	1094	757	764	325	305	WxH (mm)
Class A, AA, AAA Door	1237	11564	762	764	480	305	WxH (mm)

*All dimensions are in mm and Tolerance - dimensions ± 5%

FORTIFI - SOLUTION

Offering Enhanced Security

Need

Strong room doors in banks are often obsolete and are not equipped to resist modern day burglary attempts. As technology advances, break-ins are no longer crude, amateur affairs. Burglars today use highly advanced tools and equipment such as sophisticated power drills, oxy-acetylene torch and arc cutting thus outdated strong room doors do not stand a chance to such onslaughts.

Offering

The solution includes upgradation of strong room doors, the strengthening of the door using **fortified protective slabs** against each region of the door and the upgradation of the locking mechanism.

Features

- Compact and easy to handle fortification process
- Use of fortified protective slabs and a fascia with handle
- Three protective slabs at the top, bottom and centre, weighing 125kg each
- Final slab consisting of a 5mm thick Back Plate with TRTL 30 rating
- Minimum installation time using skilled manpower from Godrej
- Fortification process and final furnishing is completed within three days



*Images from actual site installation