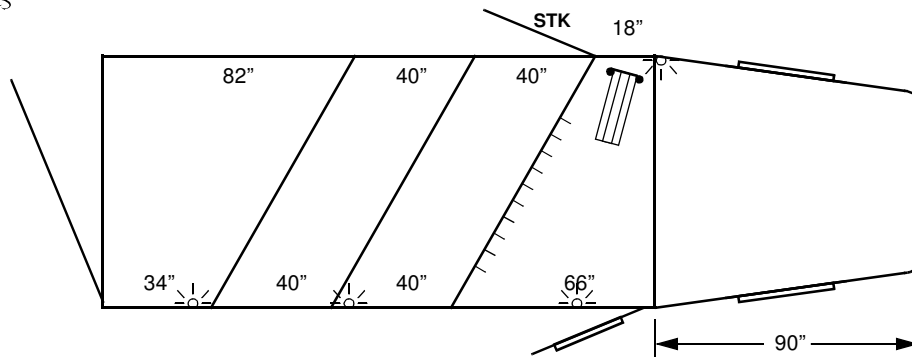




**PLATINUM
MANUFACTURING**

3-H STOCK-COMBO GOOSENECK PLATINUM SERIES 7' X 15' X 7' XG7153C



TOWING

- 2 5/16" ADJUSTABLE COUPLER (25,000# RATING)
- SAFETY CHAINS WITH SAFETY HOOK LATCHES
- 7-WAY FLAT PRONG PLUG & CABLE
- BREAK-AWAY KIT
- DROP LEG JACK

STANDARD FEATURES

- TAPERED NECK FROM 7' TO 5' WITH WINDOWS
- PERMANENT SLANT BULKHEAD WALL
- FLAT TREAD PLATE FLOOR
- FULL WIDTH REAR STOCK DOOR WITH TWO AIR CRACKS AT TOP (NO SLIDER)
- DRESSING ROOM DOOR (LINE) WITH WINDOW AND CAMPER LATCH WITH DEAD BOLT
- ESCAPE DOOR, (STANDARD STOCK TYPE) AT BULKHEAD, STREETSIDE WITH BUTTERFLY LATCH
- SINGLE SIDE WALL CONSTRUCTION, WITH TWO AIR CRACKS AT TOP IN HORSE COMPARTMENT AND SMOOTH SKIN AT TOP IN DRESSING ROOM AREA
- BULKHEAD WALL AND FENDER WELLS ARE RUBBER LINED
- DIVIDERS WITH STAINLESS STEEL SLAM LATCHES
- INSIDE TIES (TWO PER HORSE)
- OUTSIDE TIES (TWO PER HORSE)
- SADDLE RACKS (ONE PER HORSE)
- TEN BRIDLE HOOKS
- PADDING IN HORSE COMPT. ON BULKHEAD WALL AND EACH SIDE OF DIVIDERS
- PADDED BREAST BAR AT FIRST HORSE
- CARPET ON SADDLE RACKS
- CARPET ON BED, DROP AND FLOOR OF DRESSING ROOM AREA
- FLOOR MATS COVERING ENTIRE HORSE COMPARTMENT
- TAPER INNER WHEEL WELLS UP & TEAR DROP FENDERS
- FULL WIDTH RUBBER DOCK BUMPER
- FOUR INTERIOR L.E.D. LIGHTS
- TWO PAIRS OF FULLY ENCLOSED L.E.D. TAIL LIGHTS
- D.O.T. APPROVED L.E.D. RUNNING LIGHTS AND D.O.T. APPROVED REFLECTIVE TAPE

WHEELS & TIRES

- FIVE 16 X 6 STEEL WHEELS
- FIVE 235/85R16 10-PLY RADIAL TIRES
- FOUR HUB CAPS (BABY MOONS)
- SPARE TIRE CARRIER

AXLES

- 102" WIDE RUBBER TORSION
- 5200# 8-BOLT ELECTRIC BRAKES

