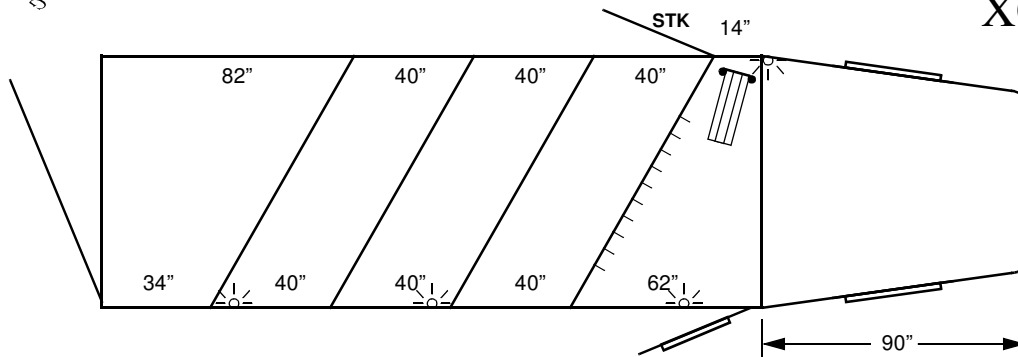




**PLATINUM  
MANUFACTURING**

# 4-H STOCK-COMBO GOOSENECK PLATINUM SERIES 7' X 18' X 7' XG7184C



## TOWING

2 5/16" ADJUSTABLE COUPLER (25,000# RATING)  
SAFETY CHAINS WITH SAFETY HOOK LATCHES  
7-WAY FLAT PRONG PLUG & CABLE  
BREAK-AWAY KIT  
DROP LEG JACK

## STANDARD FEATURES

TAPERED NECK FROM 7' TO 5' WITH WINDOWS  
PERMANENT SLANT BULKHEAD WALL  
FLAT TREAD PLATE FLOOR  
FULL WIDTH REAR STOCK DOOR WITH TWO AIR CRACKS AT TOP (NO SLIDER)  
DRESSING ROOM DOOR (LINE) WITH WINDOW AND CAMPER LATCH WITH DEAD BOLT  
ESCAPE DOOR, (STANDARD STOCK TYPE) AT BULKHEAD, STREETSIDE WITH BUTTERFLY LATCH  
SINGLE SIDE WALL CONSTRUCTION, WITH TWO AIR CRACKS AT TOP IN HORSE COMPARTMENT AND  
SMOOTH SKIN AT TOP IN DRESSING ROOM AREA

BULKHEAD WALL AND FENDER WELLS ARE RUBBER LINED  
DIVIDERS WITH STAINLESS STEEL SLAM LATCHES  
INSIDE TIES (TWO PER HORSE)  
OUTSIDE TIES (TWO PER HORSE)  
SADDLE RACKS (ONE PER HORSE)  
TEN BRIDLE HOOKS  
PADDING IN HORSE COMPT. ON BULKHEAD WALL AND EACH SIDE OF DIVIDERS  
PADDED BREAST BAR AT FIRST HORSE  
CARPET ON SADDLE RACKS  
CARPET ON BED, DROP AND FLOOR OF DRESSING ROOM AREA  
FLOOR MATS COVERING ENTIRE HORSE COMPARTMENT  
TAPER INNER WHEEL WELLS UP & TEAR DROP FENDERS  
FULL WIDTH RUBBER DOCK BUMPER  
FOUR INTERIOR L.E.D. LIGHTS  
TWO PAIRS OF FULLY ENCLOSED L.E.D. TAIL LIGHTS  
D.O.T. APPROVED L.E.D. RUNNING LIGHTS AND D.O.T. APPROVED REFLECTIVE TAPE

## WHEELS & TIRES

FIVE 16 X 6 STEEL WHEELS  
FIVE 235/85R16 10-PLY RADIAL TIRES  
FOUR HUB CAPS (BABY MOONS)  
SPARE TIRE CARRIER

## AXLES

102" WIDE RUBBER TORSION  
7000# 8-BOLT ELECTRIC BRAKES

