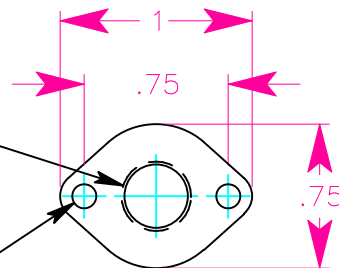


Note: Seal all joints after assembly.

1/8" NPT

30 drill



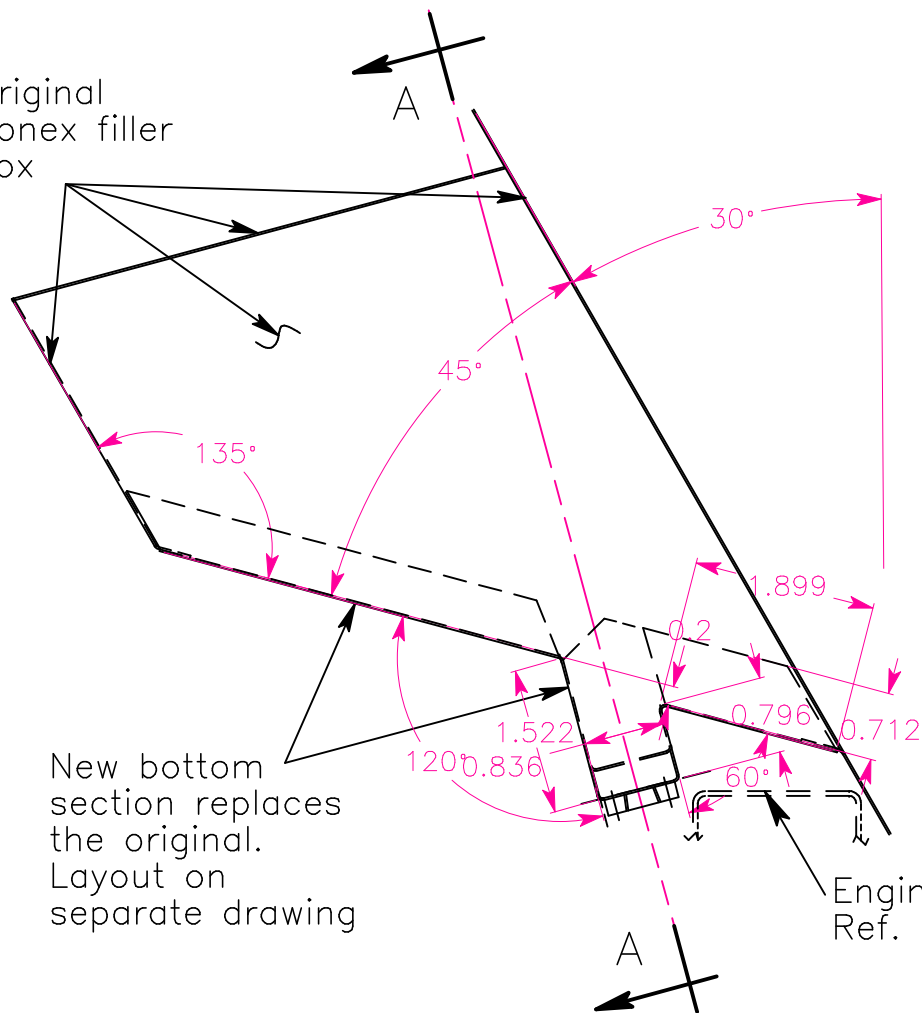
.188



3/16" x 3/4" SS
1" long

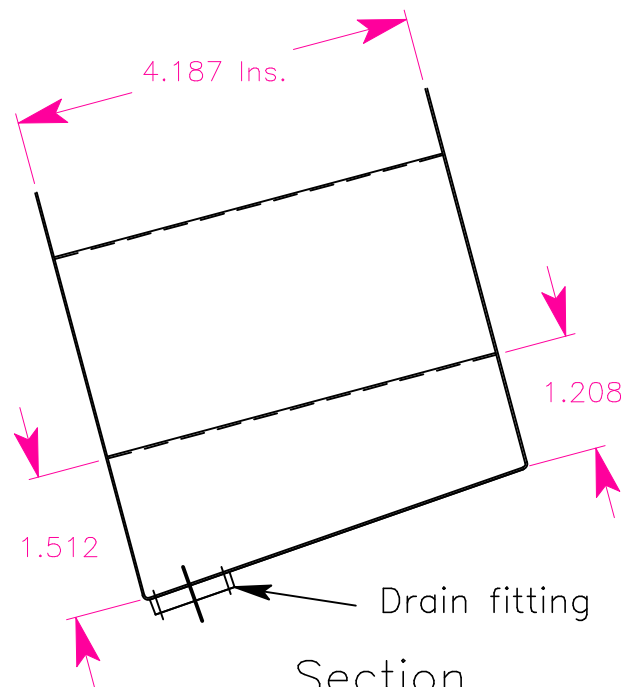
Drain fitting (double size)

Original
Sonex filler
box



New bottom
section replaces
the original.
Layout on
separate drawing

Engine mount
Ref.



Section
A-A

Modified bottom for
firewall filler box.
12-22-2014