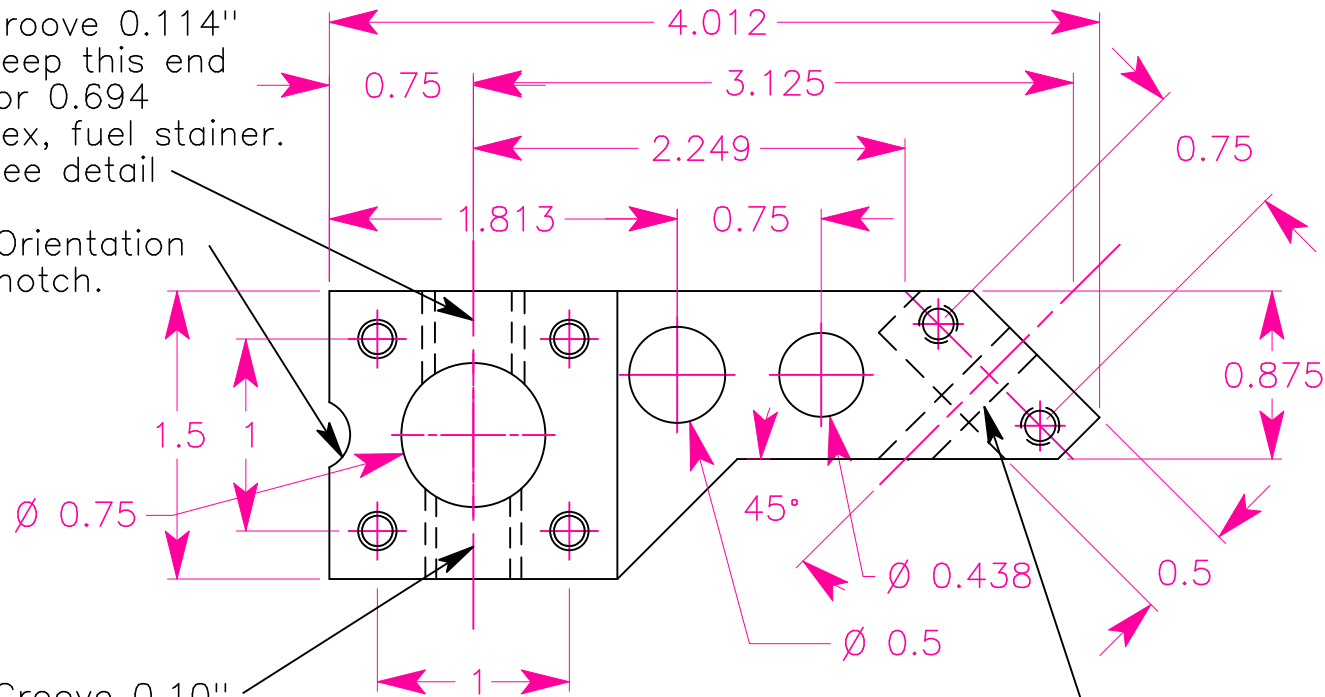


Groove 0.114" deep this end for 0.694 hex, fuel stainer. See detail

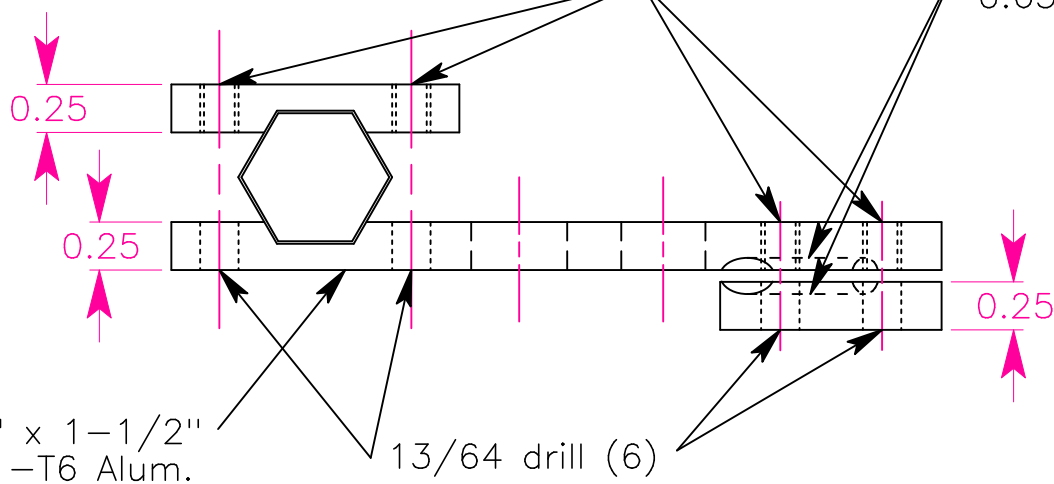
Orientation notch.



Groove 0.10" deep this end for 0.666 hex valve body. See detail.

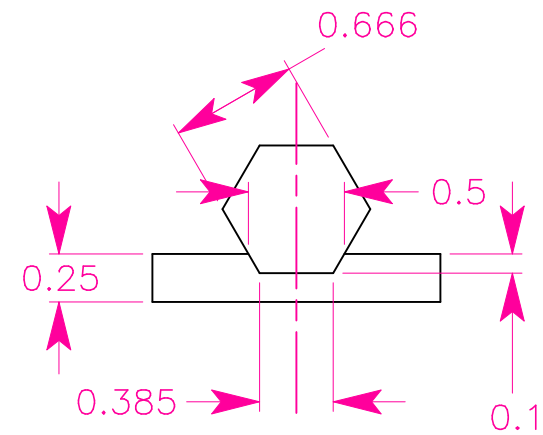
10-32 Tap (6)

3/16" ball end mill 0.63" deep (2)

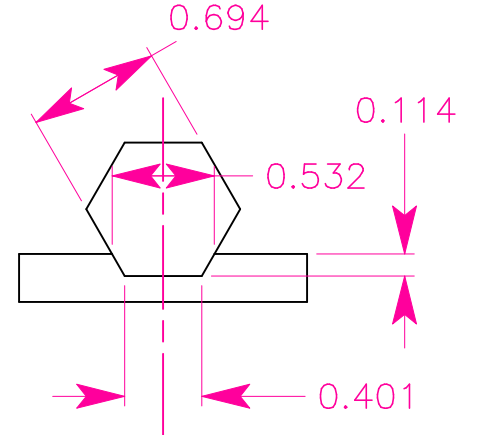


1/4" x 1-1/2" 6061-T6 Alum.

13/64 drill (6)

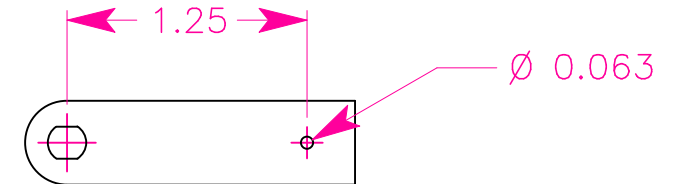


Groove for 0.666" hex on valve body



Groove for 0.694" hex on fuel stainer

Clamp Groove Details.



Valve operating arm drill detail.

Use with ACS # A-740 ratchet type control (Red) Cut length to suit