

ALGARVE[®] CANVAS

PRODUCT INFORMATION



TABLE OF CONTENTS

Description	3
Benefits	4
Design	4
Quality	5
Customisation	6
Comfort	6
Technical details	7
Standard configuration	8
Algarve Canvas weight	9
Algarve Canvas snow load	10
Accessories	12
Certificates & testing	14
Configuration	15
Type	15
Construction method	16
Columns	18
Profiles	20
Mounting bases	21
Water drainage	22
Other tools	24

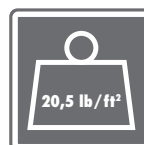




DESCRIPTION

Elegant, horizontal patio cover with a fixed roof, finished with an aesthetic stretch ceiling using Fixscreen technology.

- A single style around your home
- Multi-purpose use as a patio cover or carport
- Double roof structure:
 - Rigid upper roof made of sheet metal with an anti-condensation layer
 - Tautly stretched ceiling made of fibreglass fabric using Fixscreen technology
- Surface-mounted side elements and accessories
- Can be expanded up to 6 x 6 m without additional columns
- Protection from the sun, rain and wind
- Sleek design



One roof section

FIXED ROOF

STRETCH
CEILING

WATERPROOF

BENEFITS

Design



1 MINIMALIST DESIGN

Sleek profiles and invisible screw connections combine to create an elegant structure.

2 TWO-PART JOINABLE

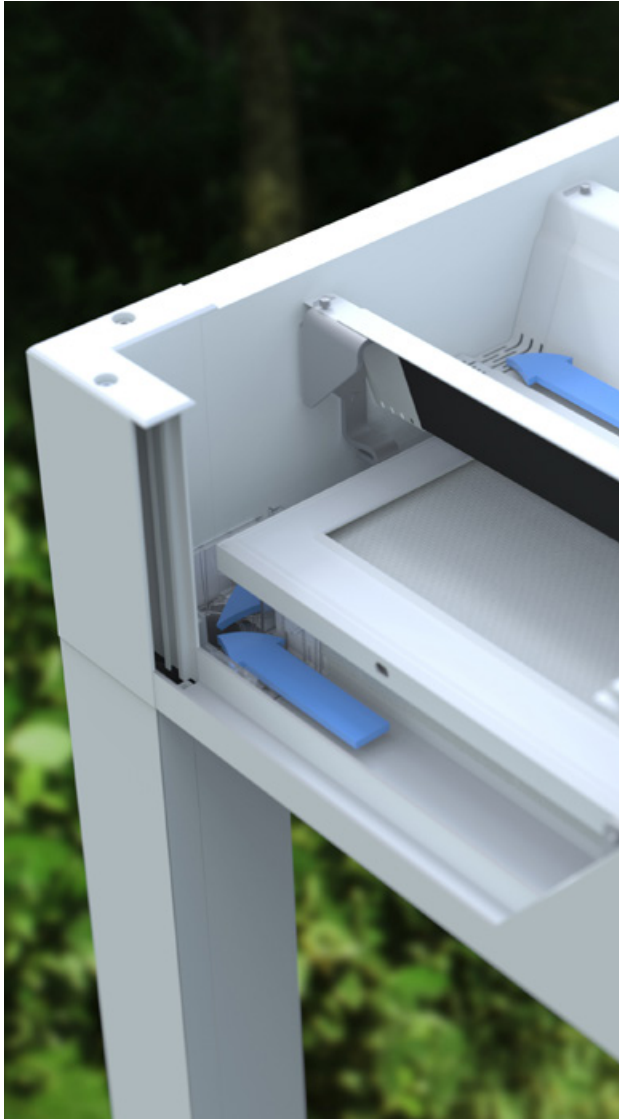
Two roof sections can be joined up to a maximum of 236" x 236" m without any additional columns. The roof sections can be fitted with a bladed or canvas roof, and a combination of blades and canvas is also possible. There is no need for both roof sections to have the same finish.

3 SURFACE-MOUNTED SIDE ELEMENTS

Fixscreens, glass sliding panels, Loggia panels, fixed walls or outdoor curtains can be fitted to the structure as surface-mounted elements.

4 INVISIBLE DRAINAGE VIA DRAINAGE PIPE IN THE COLUMN

Quality



1 UNIQUE END CAPS PROVIDE STRONG CORNER JOINTS

2 INTEGRATED WATER DRAINAGE CHANNELS

Customisation



1 BACK ORDERS POSSIBLE

2 CUSTOMISATION

For more information about the possible accessories, see the 'Accessories' section and/or the product information for the various accessories.

Comfort

QUICK INSTALLATION

Thanks to maximum pre-assembly.

TECHNICAL DETAILS



Dimensions	
Span – Single	Min. 71” - max. 177”
Span – Single with additional beam	Min. 71” - max. 236”
Pivot	Min. 102” - max. 238”
Passage height	Min. 15” - max. 110”
Total height	Passage height + 9 1/16”
Minimum height required when installed under a roof overhang	Passage height + 9 1/4”
Minimum number of water drainage points < 172 sqft	1
Minimum number of water drainage points > 172 sqft	2**
Operating methods	
N/a to roof***	

* Smaller dimensions (span up to min. 32” and pivot up to min. 48”) possible by special request to pre-sales - drawing office.

** Please note: if only one column is used, the water drainage capacity will be limited to 0.40 GPM [gallons per minute].

*** Only applicable to accessories – see Product Information for accessories



Standard configuration

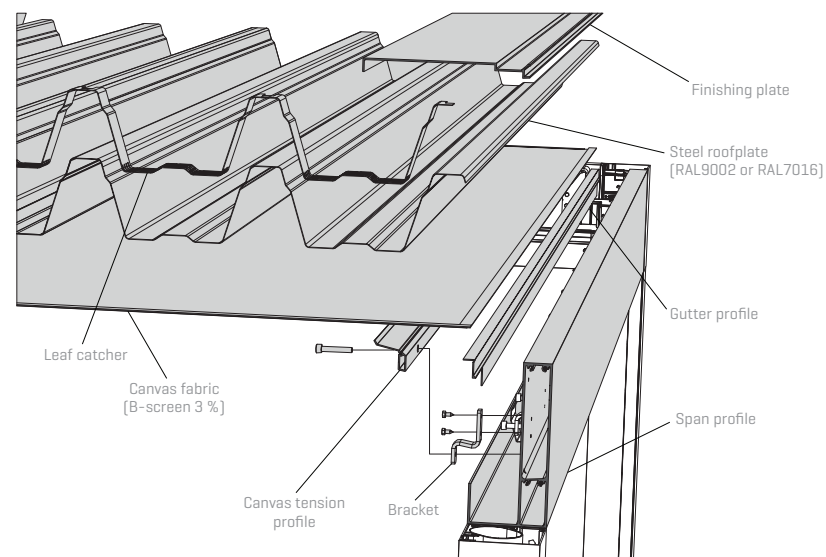
Construction

- Free-standing or façade mounted [against whole wall or partial connection]
- Standard mounting bases [visible or invisible]
- Custom span, pivot and passage height with mm precision
- Load-bearing and water-draining upper roof in steel plate. Top side of steel plate lacquered in white or anthracite colour. Underside of steel sheet covered with anti-condensation cloth
- Aesthetic lower roof finished in stretch fabric with zip technology

To see the full collection of fabrics, please refer to the fabric sampler [available in physical or digital format].

Finish

- Seaside Quality A
- Integrated water drainage [incl. PVC drainage pipes and connection between the gutter and the roof]
- Adjustable installation and drainage holes



Algarve Canvas weight

Total weight (lbs) of entire Algarve Canvas																
Span																
Dimensions in inches	70	78	86	94	102	110	118	125	133	141	149	157	165	173	177	
Pivot	102	245	263	278	296	314	329	347	362	380	397	415	430	446	463	474
	111	280	300	320	342	360	380	400	419	441	461	481	501	523	541	554
	119	287	307	329	349	366	386	406	428	448	468	488	510	530	547	560
	128	294	314	336	355	373	393	415	435	455	474	497	516	536	554	569
	136	327	353	375	397	422	446	468	492	514	541	563	585	611	633	649
	145	336	360	382	404	430	452	474	499	523	547	569	594	618	640	655
	153	342	366	389	413	437	459	481	508	530	554	578	600	624	649	664
	162	349	373	395	419	444	466	490	514	536	563	585	607	633	655	671
	170	384	411	437	463	490	519	545	571	598	624	651	680	706	732	748
	179	391	417	444	470	497	525	552	580	605	631	660	686	713	741	757
	187	397	426	450	477	505	532	558	587	611	640	666	693	721	748	763
	196	430	463	492	523	552	583	613	642	673	704	732	766	794	823	843
	204	439	470	499	530	558	591	620	649	682	710	741	772	801	832	849
	212	446	477	508	536	565	598	627	657	688	717	748	779	810	838	856
	221	481	514	547	580	616	649	680	715	748	783	814	849	882	915	937
229	488	521	554	587	622	655	688	721	757	790	821	856	889	924	944	
238	494	530	560	596	629	662	695	728	763	796	829	863	898	931	951	

The table above shows the weight of the Algarve Canvas frame; the weight of the columns and mounting bases is not included. Each column results in an extra weight of 3.23lbs per foot.

Standard mounting base weight:

- invisible mounting base: 3.82 lbs
- visible mounting base: 7.43 lbs
- visible [corner]: 4.94 lbs

Reinforced mounting base weight:

- invisible mounting base: 15.37 lbs
- visible mounting base: 22.69 lbs
- visible [corner]: 18.01 lbs

Algarve Canvas snow load

Single Algarve Canvas - maximum snow load (psf)																
Span																
Pivot	Dimensions in inches	70	78	86	94	102	110	118	125	133	141	149	157	165	173	177
		102		247	224	205	165	132	107	88	73	61	52	44	38	32
	111	232	209	190	174	160	132	107	88	73	61	52	44	38	32	30
	119	199	179	162	149	137	127	107	88	73	61	52	44	38	32	30
	128	172	155	140	129	118	110	102	88	73	61	52	44	38	32	30
	136	150	135	123	112	103	96	89	83	73	61	52	44	38	32	30
	145	132	119	108	99	91	84	79	73	69	61	52	44	38	32	30
	153	117	105	96	87	81	75	70	65	61	57	52	44	38	32	30
	162	105	94	85	78	72	66	62	58	54	51	48	44	38	32	30
	170	94	84	77	70	64	60	55	52	49	46	43	41	38	32	30
	179	85	76	69	63	58	54	50	47	44	41	39	37	35	32	30
	187	77	69	62	57	52	48	45	42	39	37	35	33	31	30	29
	196	70	63	57	52	48	44	41	38	36	34	32	30	29	27	27
	204	62	56	50	46	42	39	36	34	32	30	28	27	25	24	23
	212	54	49	44	40	37	34	32	30	28	26	24	23	22	21	20
	221	48	43	39	35	32	30	28	26	24	23	21	20	19	18	18
	229	42	38	34	31	28	26	24	23	21	20	19	18	17	16	15
	238	37	33	30	27	25	23	21	20	19	18	16	15	15	14	13

Tables do not exceed 61.45 psf as values above this figure are no longer relevant.

Single Algarve Canvas with additional beam - maximum snow load (psf)																								
		Span																						
	Dimensions in inches	70	78	86	94	102	110	118	125	133	141	149	157	165	173	177	181	188	196	204	212	220	228	236
Pivot	102	415	330	269	223	188	160	138	120	105	93	83	74	66	60	57	54	49	45	41	38	35	32	30
	111	383	305	248	206	173	148	127	111	97	86	76	68	61	55	52	50	45	41	38	35	32	29	27
	119	355	283	230	191	161	137	118	103	90	79	71	63	56	51	48	46	42	38	35	32	29	27	25
	128	332	264	215	178	150	128	110	96	84	74	66	58	53	47	45	43	39	35	32	30	27	25	23
	136	311	247	201	167	140	120	103	89	78	69	61	55	49	44	42	40	36	33	30	28	25	23	21
	145	293	233	189	157	132	112	97	84	73	65	57	51	46	41	39	37	34	31	28	26	24	22	20
	153	276	220	179	148	124	106	91	79	69	61	54	48	43	39	37	35	32	29	26	24	22	20	19
	162	261	208	169	140	118	100	86	75	65	58	51	46	41	37	35	33	30	27	25	23	21	19	18
	170	248	197	160	133	112	95	82	71	62	55	48	43	39	35	33	31	28	26	23	21	20	18	16
	179	236	188	152	126	106	90	78	67	59	52	46	41	37	33	31	30	27	24	22	20	19	17	15
	187	225	179	146	120	101	86	74	64	56	49	44	39	35	31	30	28	26	23	21	19	18	16	15
	196	215	171	139	115	97	82	71	61	53	47	42	37	33	30	28	27	24	22	20	18	17	15	14
	204	206	164	133	110	92	79	67	58	51	45	40	35	32	28	27	26	23	21	19	17	16	14	13
	212	198	157	128	105	89	75	65	56	49	43	38	34	30	27	26	24	22	20	18	16	15	14	13
	221	190	151	123	101	85	72	62	54	47	41	36	32	29	26	24	23	21	19	17	16	14	13	12
229	183	145	118	97	82	69	60	52	45	39	35	31	28	25	23	22	20	18	16	15	14	12	11	
238	176	140	114	94	79	67	57	50	43	38	33	30	27	24	23	21	19	18	16	14	13	12	11	

Tables do not exceed 61.45 psf as values above this figure are no longer relevant.

ACCESSORIES



Comfort pack		Back order
Fixscreen + Lineo Led	-	-
Side infills		
Integrated Fixscreen	-	-
Algarve Fixscreen	✓	-
Lapure Fixscreen	-	-
Triangle	-	-
Loggia sliding panels*	✓	✓
Loggiascreen Canvas sliding door	-	-
Glass sliding panels**	✓	✓
Linius wall**	✓	✓
Linarte wall	-	-
Outdoor curtains	✓	✓
Comfort		
Lighting		
Lineo Led	-	-
UpDown Led	✓	✓
Colomno Led	-	-
Lapure Led	-	-
Comfort and design		
Beam Heat & Sound	-	-
Lineo Luce	-	-
Lineo Fix	-	-
Lineo Heat	-	-
Waterproof wall mounting	-	-
Protecto protective profile	-	-
Automation		
Wind sensor	-	-
Rain sensor	-	-
Sun sensor	-	-

* Up to a free width of 167"

** Subject to use of reinforced mounting bases on adjacent columns

Styling		Back order
Classic Line	✓	-
Wooddesign roof blades	-	-
Columns		
Extra column	✓	-
Shifted column	✓	-
Adjustable wall column	-	-



CERTIFICATES & TESTING

CE – DoP documents

- CE / UKCA / DoC / DoP / ETA

Certificates

- REACH / seaside/coastal powder coating guarantee
- RoHS / AluEco
- VMRG sun protection

Declarations

- Declaration of powder coating
- Declaration of material codes
- Declaration of anodisation layer thickness
- Declaration of glass properties
- Declaration of fire resistance / reaction
- Declaration of asbestos
- Declaration of UV resistance / gtot + others

Test reports – calculations

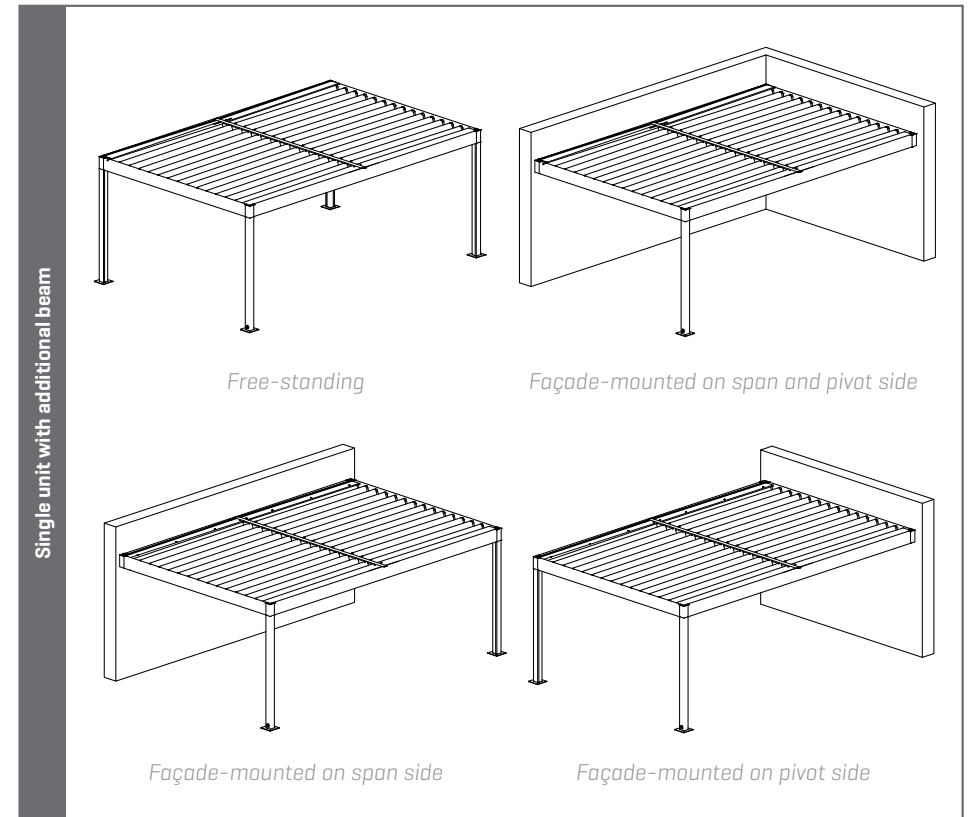
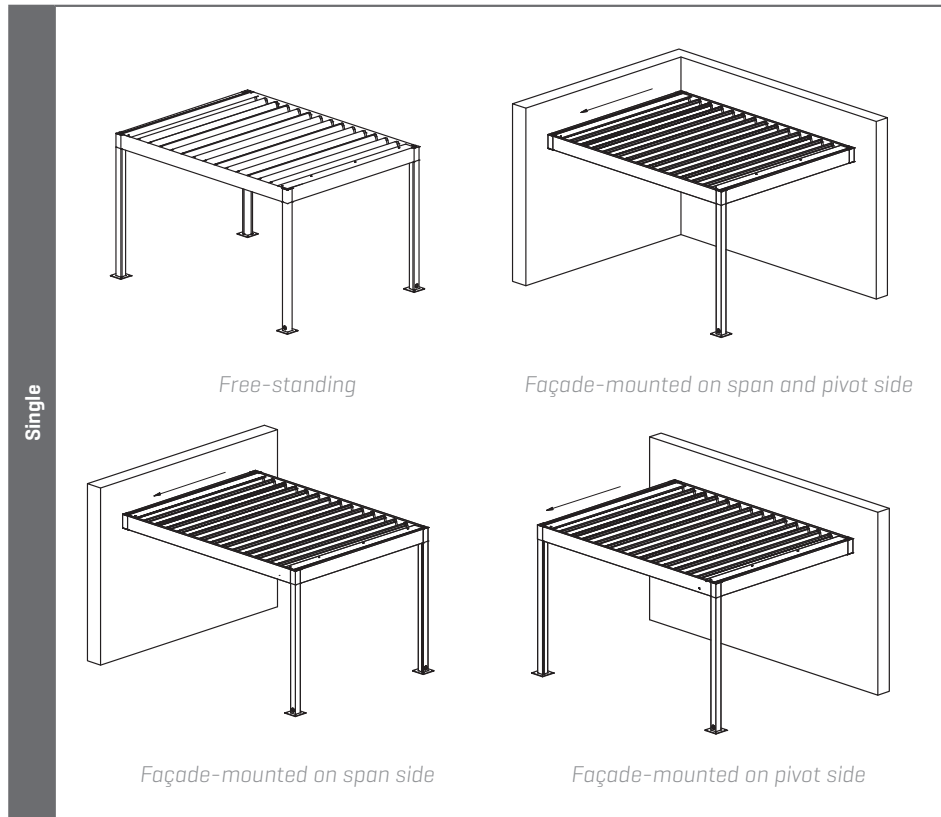
- Environmental statement [recycled aluminium]
- Anchoring requirements

Roof wind guarantee	up to 74 mph - HC 1
Fixscreen wind guarantee when closed	up to 37 mph
Fixscreen operation	up to 31 mph
Water drainage flow	0.53 GPM [gallons per minute]
Load-bearing capacity	20.48 psf



CONFIGURATION

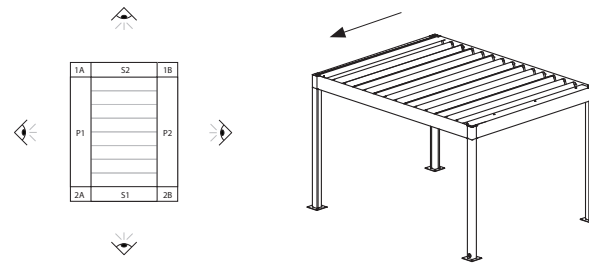
Type



Construction method

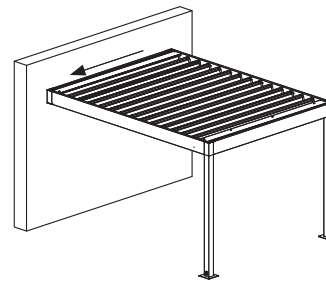
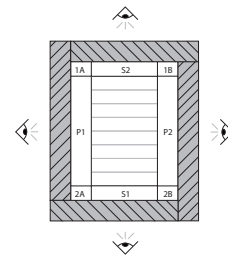
Free-standing

The sides are completely separate from any walls; the cover is not mounted against any walls.

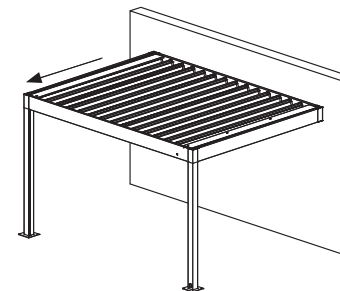


Full-length wall mounted

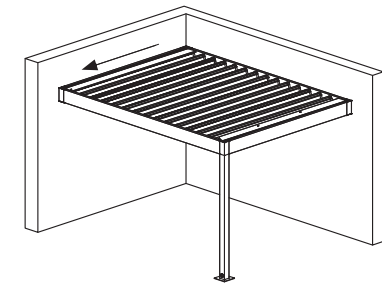
The full length of the side is mounted against a wall.



*full-length wall mounted
[façade mounted]
on span side*



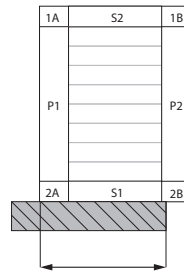
*full-length wall mounted
[façade mounted]
on pivot side*



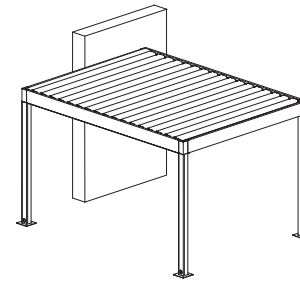
*full-length wall mounted
[façade mounted]
on span and pivot side*

Wall to the left

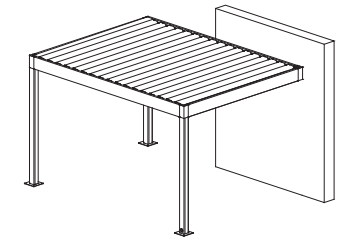
Only part of the side is mounted against a wall. Viewed from outside of the cover, the wall is located on the left side of the beam.



wall length



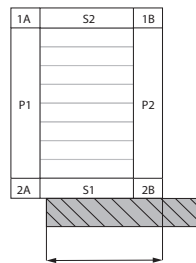
wall to the left [span]



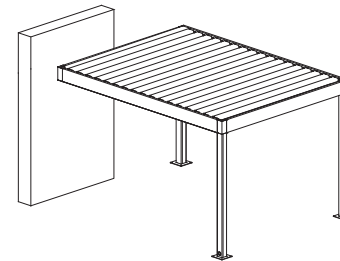
wall to the left [pivot]

Wall to the right

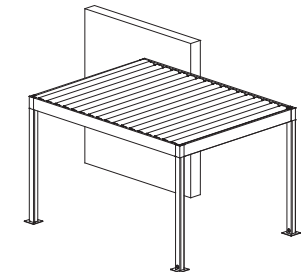
Only part of the side is mounted against a wall. Viewed from outside of the cover, the wall is located on the right side of the beam.



wall length



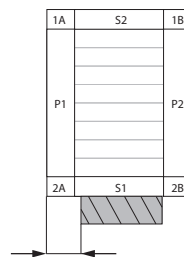
wall to the right [span]



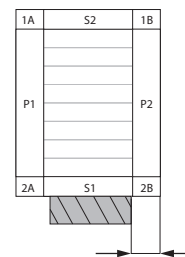
wall to the right [pivot]

Wall in the middle

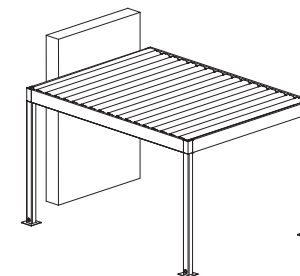
A limited part of the cover is mounted against a wall. There is a free-standing section of the cover both to the left and to the right of the wall. Note: Wall in the middle not selectable by default in Rio, but possible through presales.



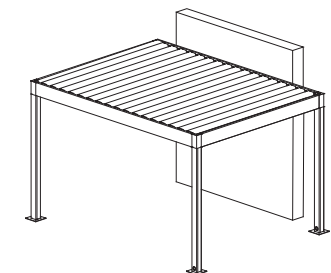
distance on the left to the wall



distance on the right to the wall



wall in the middle [span]

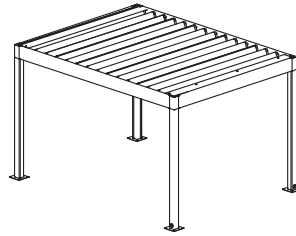


wall in the middle [pivot]

Columns

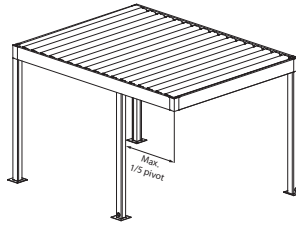
Corner column

A column is provided for each corner as standard. When installing against a wall that guarantees sufficient stability, the column on this side may be omitted.

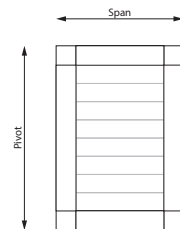


Shifted column

A column can be shifted in the direction of the pivot to a maximum of 1/5 of the pivot length. This guarantees the stability of the structure at all times.



A shifted column for Algarve and Algarve Canvas is entered by entering the required distance from the corner. It is not possible to shift a column in the span direction.

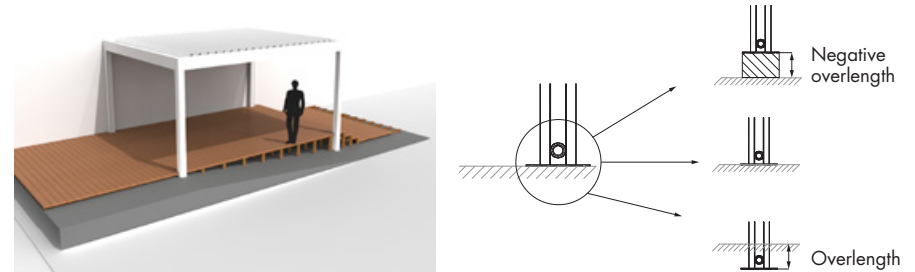


Shorter/longer columns

A column that is longer [positive overlength] or shorter [negative overlength] than the entered passage height may be ordered.

Opting for a positive overlength can be useful to keep a roof perfectly level when your patio slopes downward, for example.

Alternatively, if one of the columns is to be installed on a small wall, for example, it can be shortened [negative overlength].



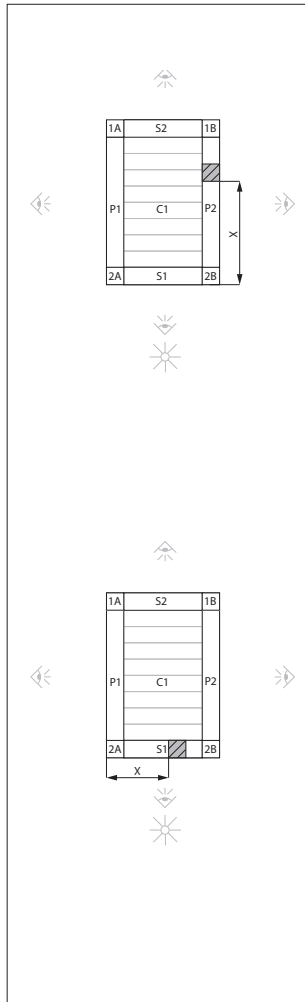
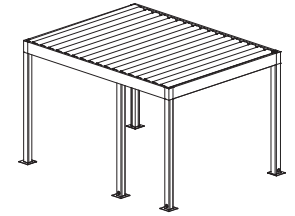
Positive overlength is possible up to the maximum passage height [110"] plus 19" [= 129"].

Negative overlength is possible up to the minimum passage height [= 19"].

Overlength only affects the price if the column length > 118".

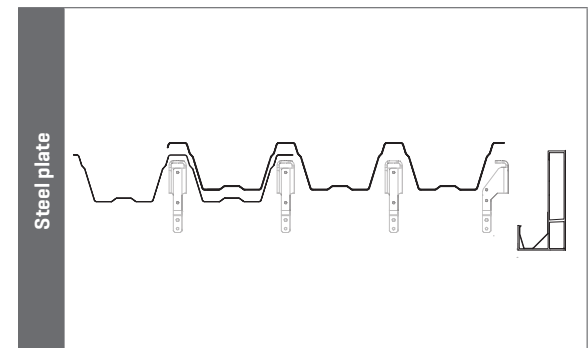
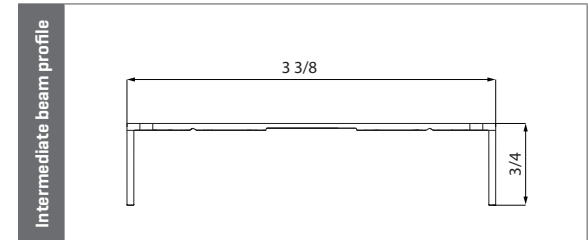
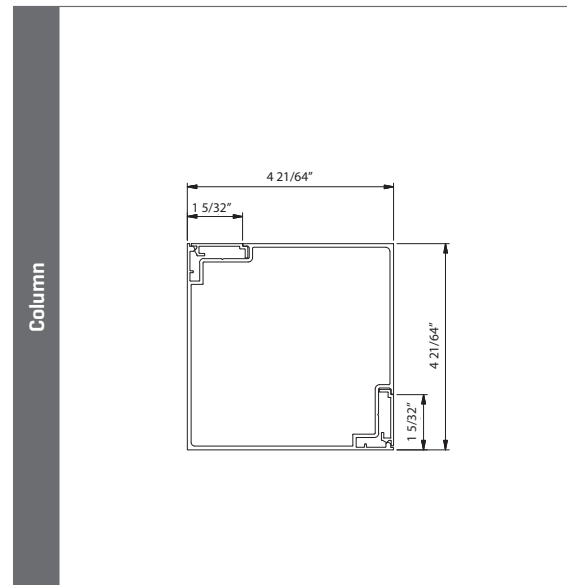
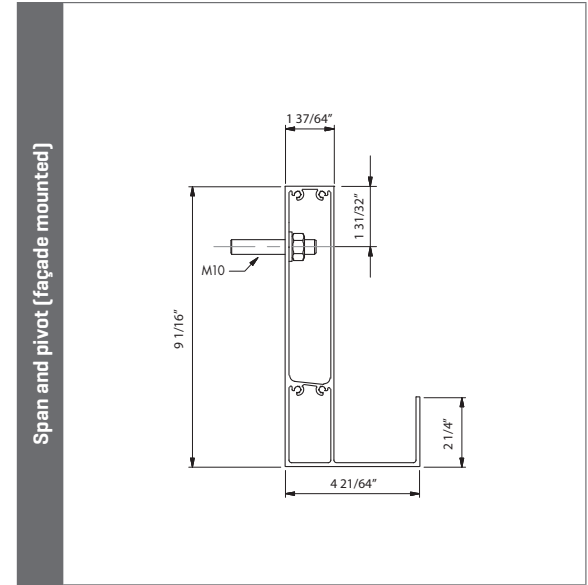
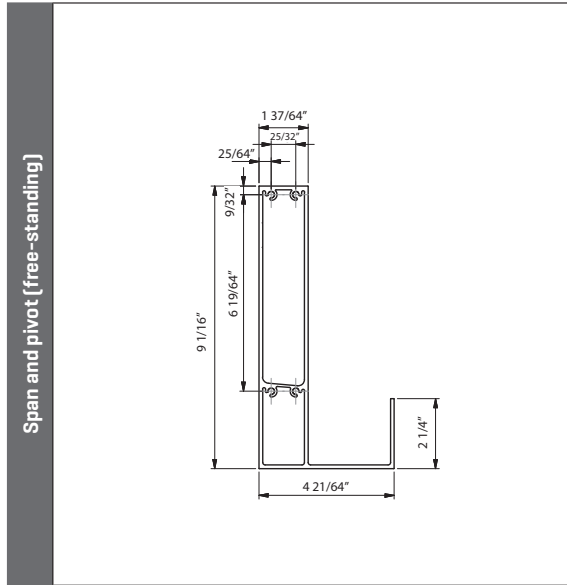
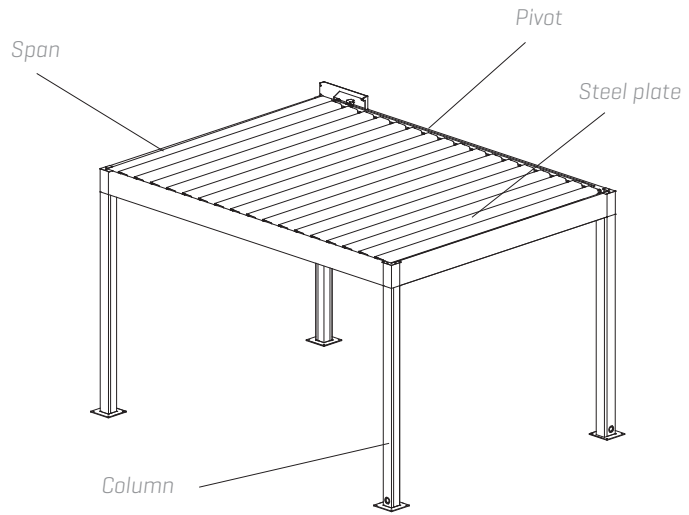
Additional column

One side of the cover can be split into two sections by adding an additional column. The position of the additional column is always viewed from side P1 [additional column on span] or S1 [additional column on pivot].



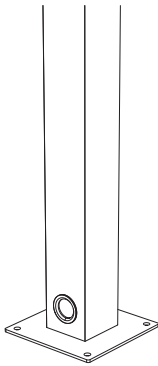
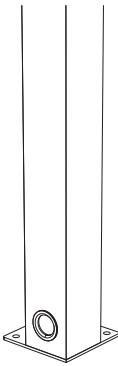

X = position of the intermediate column [mm]

Profiles



Mounting bases

The choice of reinforced or non-reinforced mounting bases will be made automatically based on the strength requirements and/or side infill selection. You can select a finish for your mounting bases from the possible options below.

			
Type	Visible mounting base		Invisible mounting base
Application	Not against a structure	Pivot or span against a structure	All applications
Non-reinforced mounting base	Available at standard price		
Reinforced mounting base	Available at a surcharge		

Water drainage

Water will be drained down an integrated drainpipe in the columns of your choice. Starting at 172 sqm, a minimum of two drainage outlets must be arranged for each roof section, of which at least one drain must be on the lowest side of the steel plate.

For all other dimensions, at least one drain must be provided on the lowest side of the steel plate.

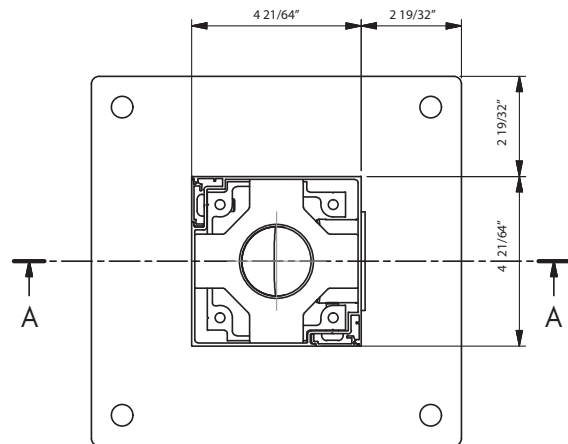
Please note! If there is only one water-draining column and the surface area is greater than 172 sqm, the drainage capacity of the roof will only be 0.40 GPM [gallons per minute].

Three options for the height of the drainpipe:

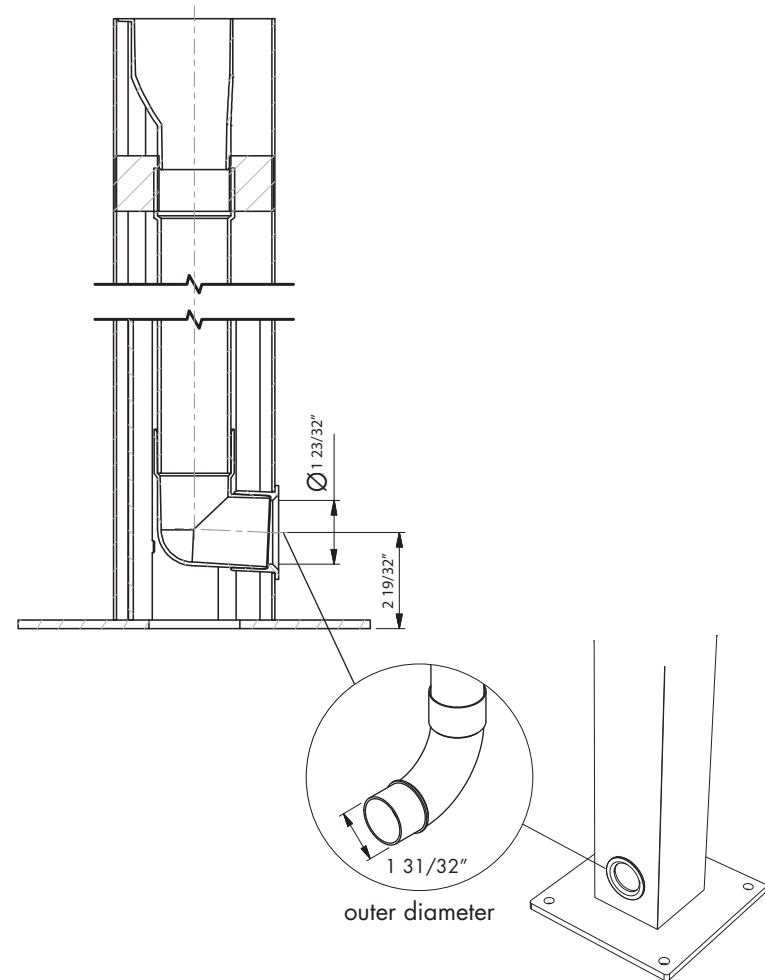
- 2 19/32" relative to the bottom side of the base, regardless of whether or not overlength is applicable[standard].
- 2 19/32" + overlength relative to the bottom side of the base. In case of overlength, you can choose to have the overlength size included in the standard distance of 2 19/32". For example, an overlength of 3 15/16" will result in water drainage at 6 17/32".
- Variable height
Minimum distance = 2 19/32".
Maximum distance = passage height - 1' 4 11/32".
The height is always measured from the top side of the mounting base to the centre of the drainage hole.

	Passage height	Negative overlength	Positive overlength
66 mm relative to bottom side of base [standard]			
66 mm + overlength relative to bottom side of base			
Variable height [mm]			

Drainage - span or pivot side



PVC drainage pipe



OTHER TOOLS

Want to find out more? Visit the Professional Portal on our website (www.renson.eu) to access the following tools.

- Technical drawings
- Training documents
- Installation manual
- User manual
- [Digital photo book & social media](#)
- ...

