

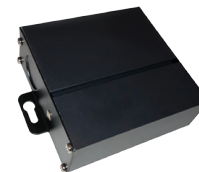
# LED Gimbal Down Lights

Our new and improved directional LED Gimbal Down Lights, are the perfect solution for a multitude of residential and commercial applications. The adjustable LED gimbal fixtures are 80% more efficient than incandescent luminaires and they are available in multiple trim finish options to match any style of décor.



DIMMABLE

UL2108 Certified



## GDL-3

### Features

- Energy efficient – up to 80% energy savings
- High Brightness COB LED's
- Low power consumption
- Warm White and Neutral White color temperatures
- Available in two standard beam angles
- New Construction, IC and remote installations
- cETLus listed for direct contact with insulation and combustible materials
- Easy to install, modular design
- 50,000 hour life
- 3 year limited warranty

### Residential Applications

- Kitchens
- Pantries
- Laundry rooms
- Bathrooms

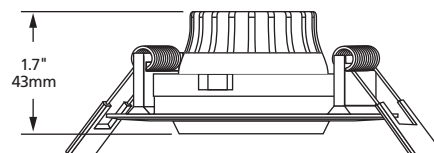
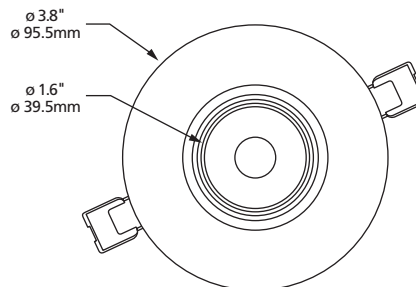
### Commercial Applications

- Lobbies
- Hallways
- Elevators
- Stairways
- Retail
- Restaurants
- Office lighting

### Specifications

Power Consumption	9W
Input Voltage	21V DC*, 320mA constant current
Beam Angle	25/36°
Color Temperature	
Warm White	3000K
Neutral White	4000K
Lumens	
Warm White	650
Neutral White	700
Size	3.8" x 1.7"
Approvals	cETLus listed for damp locations

\* Each fixture requires one constant current power supply.



### Product Code

GDL - 3 - 9W - ZZ - XX - YY

LED Gimbal Down Light	Beam Angle	LED Color	Finish
	25/36°	WW - Warm White NW - Neutral White	WH - White Gloss Enamel BK - Black BZ - Bronze SN - Satin Nickel

NOTE: WH finish is stock, all other options are special order, MOQ required.

# LED Gimbal Down Lights

Our new and improved directional LED Gimbal Down Lights, are the perfect solution for a multitude of residential and commercial applications. The adjustable LED gimbal fixtures are 80% more efficient than incandescent luminaires and they are available in multiple trim finish options to match any style of décor.



## GDL-4

### Features

- Energy efficient – up to 80% energy savings
- High Brightness COB LED's
- Low power consumption
- Warm White and Neutral White color temperatures
- Available in two standard beam angles
- New Construction, IC and remote installations
- cETLus listed for direct contact with insulation and combustible materials
- Easy to install, modular design
- 50,000 hour life
- 3 year limited warranty

### Residential Applications

- Kitchens
- Pantries
- Laundry rooms
- Bathrooms

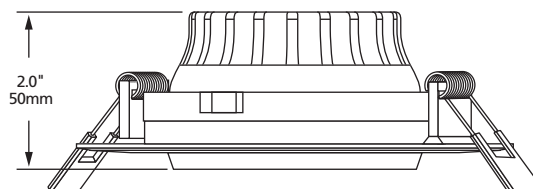
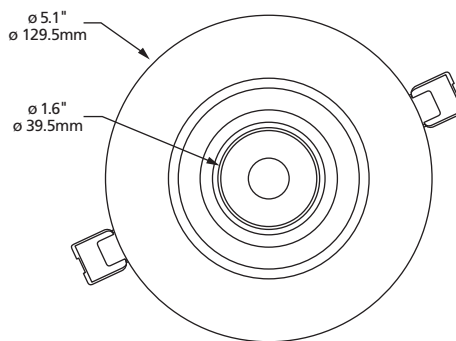
### Commercial Applications

- Lobbies
- Hallways
- Elevators
- Stairways
- Retail
- Restaurants
- Office lighting

### Specifications

Power Consumption	12W
Input Voltage	30V DC*, 320mA constant current
Beam Angle	25/36°
Color Temperature	
Warm White	3000K
Neutral White	4000K
Lumens	
Warm White	870
Neutral White	930
Size	5.1" x 2"
Approvals	cETLus listed for damp locations

\* Each fixture requires one constant current power supply.



### Product Code

GDL - 4 - 12W - ZZ - XX - YY

LED Gimbal Down Light	Beam Angle	LED Color	Finish
	25/36°	WW - Warm White NW - Neutral White	WH - White Gloss Enamel BK - Black BZ - Bronze SN - Satin Nickel

NOTE: WH finish is stock, all other options are special order, MOQ required.