

LED Work Light

The LED Work Light is an energy savings, impact resistant, long life temporary lighting solution for illuminating workplaces, shops, garages, and warehouses.



DIMMABLE



DESIGNLIGHTS
CONSORTIUM

Features

- 50,000 hours life
- Spring Loaded Hook
- 10ft power cord with plug
- 6 KV surge protection
- Hidden, built-in hidden socket
- Eye-catching housing
- Electrolytic stainless steel guard
- Epistar LEDs
- Hollow Heat Sink
- Silicone gaskets for damp location use
- 5 year limited warranty

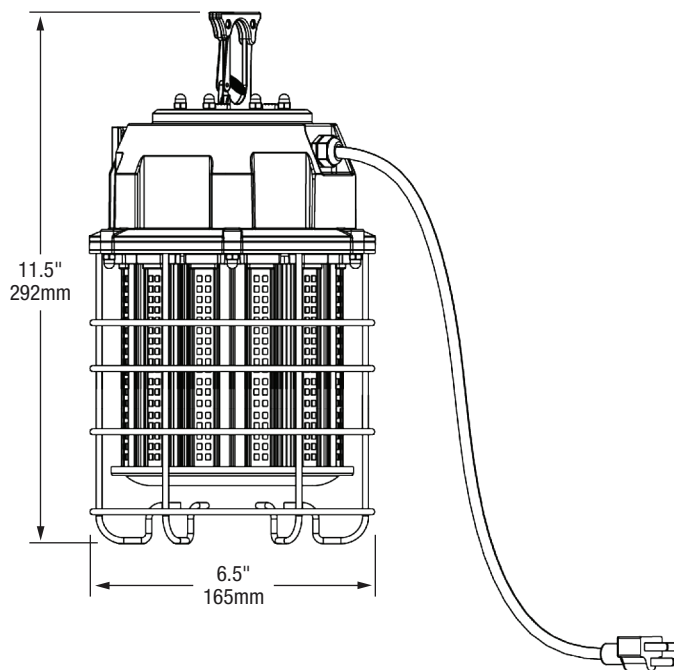
Specifications

| | |
|-------------------|------------------------------------|
| Electrical | AC100–277V, 100W, 50–60Hz |
| Surge Protection | 6 KV |
| Driver | Internal Driver |
| LEDs | Epistar 2835 |
| Number of LEDs | 408 |
| Life Span | 50,000 hours |
| Lumen Output | 12,500 lumens |
| Luminous Efficacy | 125 LM/W |
| CRI | >80 |
| CCT | 5000 K |
| Beam Angle | 360° |
| Dimensions | 6.5" x 11.5" H (165 mm x 292 mm) |
| Net Weight | 2.8 kg |
| Approvals | DLC, cUL, listed for damp location |

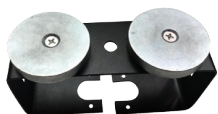
Product Code

LWL-100W-50

Dimensions



Accessories



LWL-MM
Magnet mount kit



LWL-FM
Floor mount kit



LWL-TM
Tripod mount kit