

Silex Touch-Clarity ID65

65" Interactive Display



Main Features

- Anti-Glare tempered chock-proof glass
- Enhanced visual effect and improved touch experience
- High-speed 20/40-point touch for smooth and fast writing experience
- Optional standard OPS slot, integrated plug-in design with easy upgrade and maintenance
- Easily accessible front ports: 3 USB type A, 1 USB type C, 1 HDMI input, 1 Touch USB
- 15Wx2 front speakers
- Front button one key start for simple and convenient operation
- Android 13.0 OS, with practical whiteboard and annotation software features

Specifications

Display:

- Screen size: 65inch
- Screen assembly process: Zero-fit
- Backlight: DLED
- Pitch: 0.372 x 0.372mm
- Display area: 1429.77*805.52mm
- Ratio: 16:9
- Resolution: 3840 x 2160 UHD / 4K
- Brightness: 350cd/m²
- Contrast: 1200:1(Typ.)
- Color: 1.07 Billion
- Viewing angle: 178°,178°
- Refresh rate: 60Hz
- Response time: ≤8ms
- Speaker power: 15W(8Ω)x2 (20W bass optional)
- Color gamut (Typ.): 72%NTSC
- Support HDR

Touch:

- Touch type: IR
- Touch points: Android 20 points/
Windows 40 points
- Touch drive mode: HID drive-free
- Sensing method: Finger or other non-transparent touch sensitive media
- Resolution: 32767x32767
- Touch system communication port: USB 2.0
- Response time: ≤5ms
- Touch accuracy: 1mm

Tempered glass:

- Concave or convex: Concave
- Hardness: Mohs 7H
- Surface treatment: AG Anti-Glare

Camera (optional):

- Built-in camera in the top center
- Sensor: CMOS 1/2.0"
- Field of view (FOV): 120°
- Format: MJPG/YUY
- Support face tracking

Microphone (optional):

- Built-in microphone in the top center
- Number of microphone arrays: 8-way, omnidirectional, noise-canceling microphone
- Pickup distance: 0~12m
- Support 3D noise reduction
- Support Sound source localization

Android:

- Android system version: Android13.0
- Main chip: Amlogic A311D2
- CPU Architecture: 8 core 64Bit CPU
- CPU Working frequency: 1.2MHZ
- CPU Cores: 8 cores
- GPU: G52_MC8
- 4G/8G DDR, 32G/64G Storage

Network:

- LAN: Adaptive10M/100M/1Gbps
- Location: onboard, built-in
- Configuration: WiFi6
- Protocol: Wireless 802.11 a/b/g/n/ac/ax
- Working frequency: 2.4~2.5GHz and 5.15~5.825GHz
- Working distance: 0~12m

Bluetooth:

- Version: 5.0
- Working frequency: 2.4GHz
- Working distance: 0~12m

IO/port:

- Front: USB3.0 type A, HDMI(2.0), Touch USB2.0 type B, USB type C
- Rear: Mic in 3.5mm, RJ45, RS232 (DB9), Line out, TF Slot, HDMI out, Touch USB2.0 type B, HDMI in, USB2.0
- Optional OPS module

Power:

- Working voltage: AC100~240V/50~60Hz
- Maximum power: 325 W
- Energy Efficiency Level (CEL): Level 1
- OPS power supply: DC 12-19V/1.0-7.0A supports OPS-C
- Standby power consumption: <0.5W

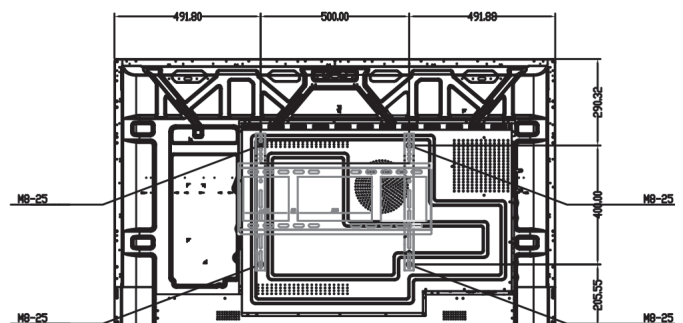
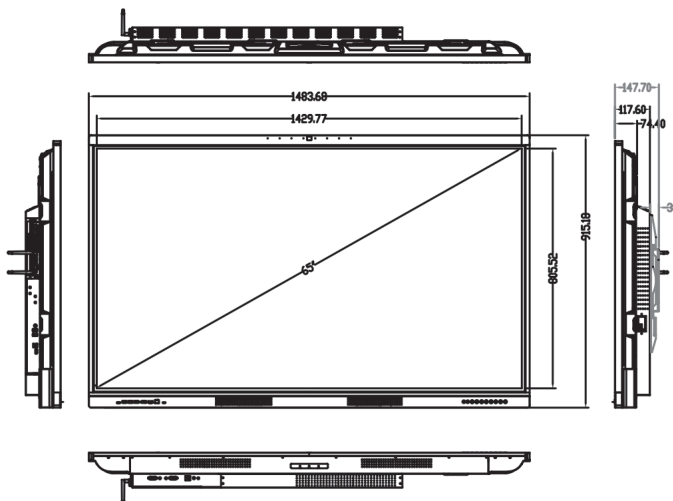


Other Specifications:

- Product size:1483.68*915.18*117.6mm
- Size including bracket: 1483.68*915.18*147.7mm
- Distance between holes: 400*500mm
- Wall mounting dimensions: 1503.68*935.18*147.7mm
Installation principles: widening 20mm on two sides
- Package size:1635*200*1055mm
Package: carton box
- Net Weight/ Gross Weight: 42Kg/53Kg
Net weight (product weight) Gross weight (including accessories and package)
- Installation: Wall mounting (standard)
- Storage environment: Storage temperature: -20°C~55°C ;Storage humidity: 5%RH~90%RH
- Working environment: Working temperature: 0°C~40°C; Working humidity: 10%RH~80%RH
- Altitude: ≤5000m above sea level

Accessories:

- Wall mount bracket, 1.5m power cord, expansion screw, touch pen, warranty card, remote control





© 2024 SillexPro. All rights reserved. SillexPro and any SillexPro product or service name or logo used herein are trademarks of SillexPro. All other trademarks used herein belong to their respective owners. The trademarks and logos displayed herein may not be used without the prior written consent of SillexPro or their respective owners. No portion hereof may be reproduced or transmitted in any form or by any means, for any purpose other than the recipient's personal use, without the express written permission of SillexPro.

www.Sillexpro.com