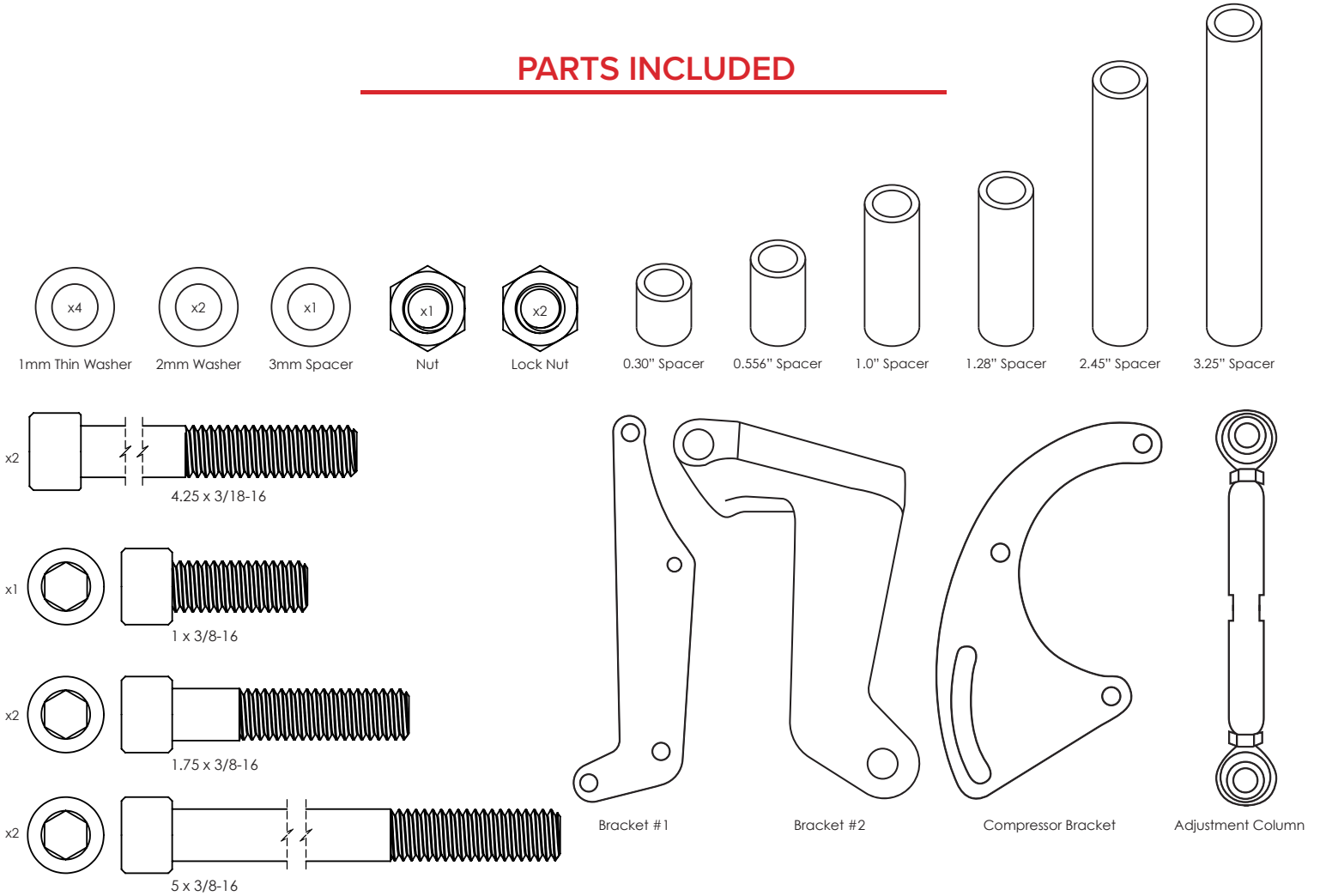


**PARTS INCLUDED**



**BRACKET KIT INSTRUCTIONS**



1. Attach bracket #1 with 4.25 x 3/8 -18 hex bolt, 3.25 inch spacer, and washer to bolt. Finger tighten.



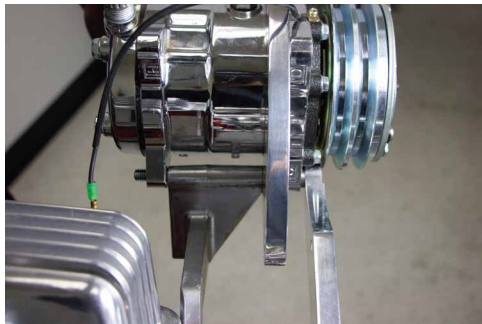
2. Attach bolt 4.25 x 3/8-18 through second bolt opening. Place 2.45 inch spacer against bracket #1. Place adjustable column and 0.30 inch spacer through the bolt. Tighten both bolts.



3. Attach bracket #2 with 1 x 3/8 -18 bolt and washer to head. Tighten.



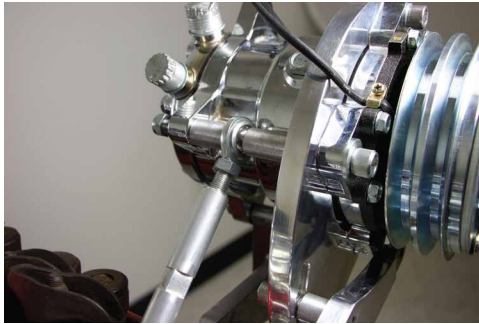
4. Attach compressor bracket with 1.75 x 3/8-18 with washer and nut as shown in figure above. Tighten.



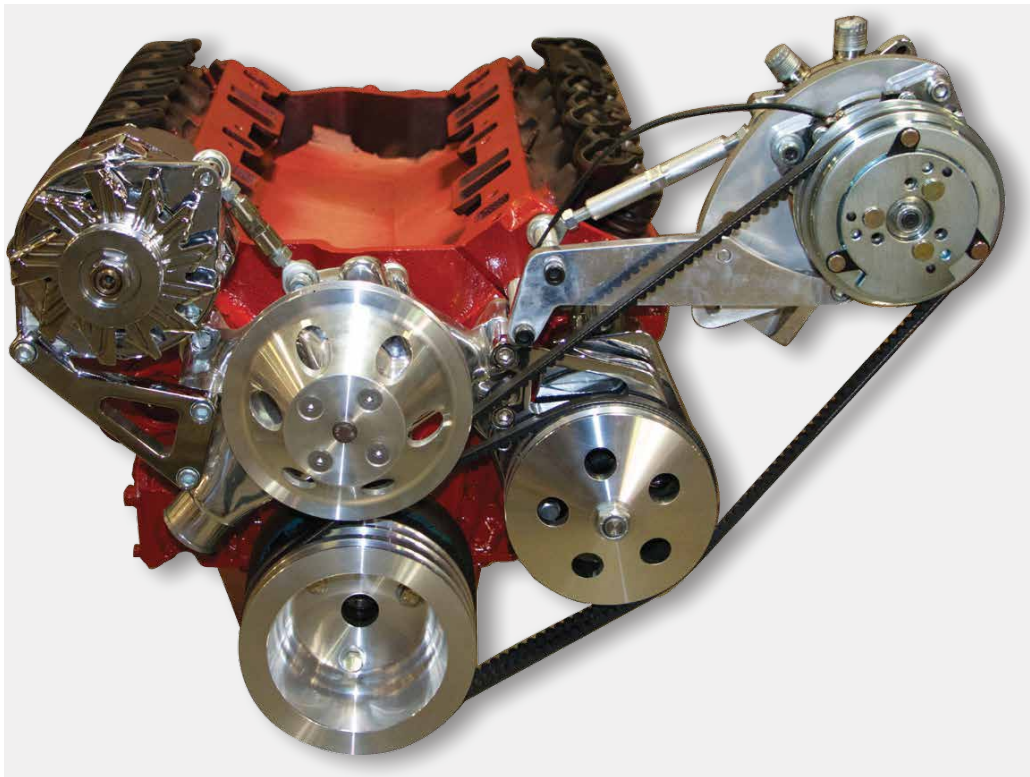
5. Place bracket #2 in between post of A/C compressor. Place 3mm spacer in between front post of compressor and bracket #1. Feed bolt 5 x 3/8-18 with washer threw compressor and brackets. Tighten brackets.



6. Place bolt 1.75 x 3/8-18 with washer thru compressor bracket adjustment slot back. Place 0.556 inch spacer in between compressor bracket and bracket #1. Do not tighten, finger tight.



7. Place bolt 5 x 3/8-18 thru unused compressor top mount. Place spacer 1.28 inch first after compressor mount. Attach other end of adjustment column thru bolt and placing 1.0 inch spacer last before. Tighten.



8. Once belt has been placed on the first groove of the A/C compressor , first groove of the power steering pump, and middle groove of the crankshaft pulley, you can adjust the tension of the v-belt by moving the A/C compressor. Once the correct tension is found, tighten bolt that is connected to the compressor bracket and bracket #1 to lock the A/C compressor in to place.