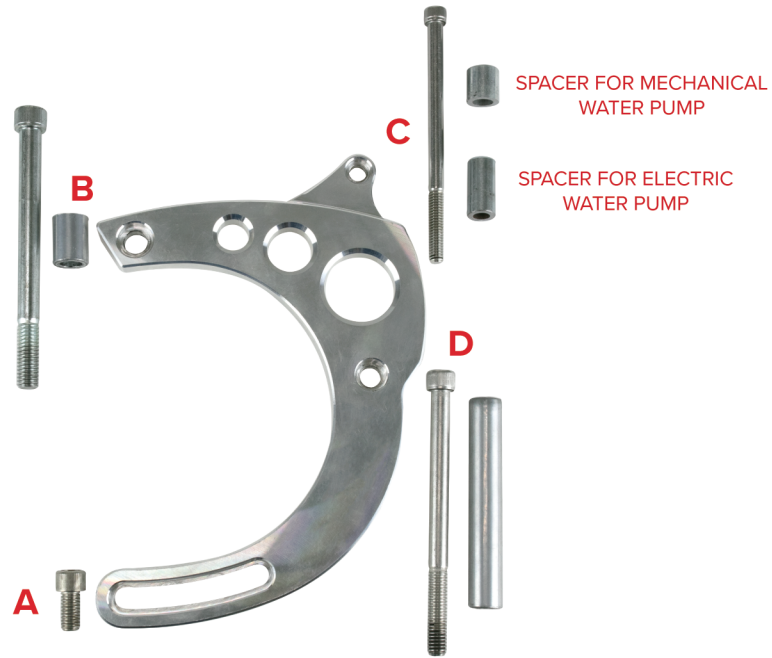
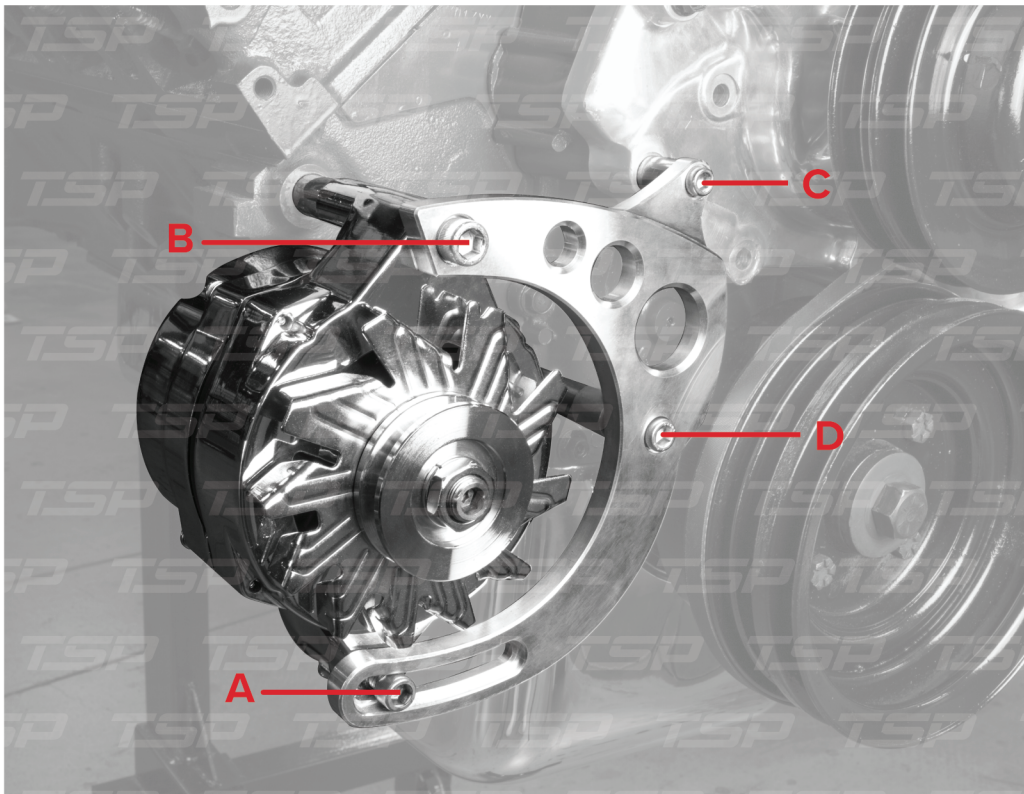


**PARTS INCLUDED**



**INSTALLED JM9114**



\*\*\*CAN BE USED FOR MECHANICAL AND ELECTRIC WATER PUMP\*\*\*