



The President's Message

Greetings to All of our Loyal Members,

The weather has certainly been a welcome event here in the mountains. Luckily it has given us a reasonable amount of snow and rain. We certainly do appreciate all of the water for our beautiful forest. Unfortunately, though, the weather has kept us from meeting in person. Our last two meetings have been over Zoom. It was great to see all of your shining faces on the screen. I would like to personally thank Tracy, WM6T for his superb POTA Presentation. It certainly did answer many of our questions regarding mapping, official POTA parks, how to spot yourself, how to receive awards, and many other interesting tid-bits while working ham radio in the wild. It was also very exciting to learn about how our own Dede, K6DDZ is spearheading a three day hamfest in Big Bear. She reported that during a meeting at Quartzfest 2024 with Bob Turner, W6RHK, Bob Smith, KO6BOB, and Gordon West, WB6NOA there was a discussion regarding the fact that there has been an obvious lack of hamfests in the Southwestern Division, particularly in Southern California. So Dede took the bull by the horns, along with her sidekick Nancy, K6CUB, and is pulling together what is turning into an exciting new event. Read the article in this newsletter for more information and how to sign up.

Well, that's about it for now. I hope the weather will allow us to have in in-person meeting on March 5th at 7:00 p.m. at the Church. Until then, 73



The Calimesa Chamber of Commerce introduced and celebrated their 2023 Community Award Winners at their annual installation and Community Awards Dinner January 25, 2024. Receiving the Award for Citizen of the Year for 2023 was our own Ed Clark, KM6UWI.

Congratulations Ed!

Officers

- **President:**
Vic Marquez, KK6WKI
- **Vice-President:**
Lorna Polley, KJ6GFS
- **Treasurer:**
Nancy Karlson, K6CUB
- **Secretary**
Gail Brarmann, KM6GBN
- **Ed/Membership:**
Tracy Lenocker, WM6T
- **Past Presidents:**
Chrystal Stenberg, KK6API
John Snedden, KT7P
Vic Marquez, KK6WKI
Lorna Polley, KJ6GFS

The Mountain Top ARES group is an ARRL affiliated organization and part of the Mountain Top Amateur Radio Association

Monthly Club Meetings

Club meetings are held on the first Tuesday of each month. The meeting begins at 7:00 p.m. and lasts until approximately 9:00 p.m.

Our meetings are open to everyone; so bring a friend, and keep the hobby growing. There is always a presentation that will pique your interest and add to your knowledge.

Meetings are held at the Lake Arrowhead Community Presbyterian Church
351 South State Highway 173, Lake Arrowhead, CA 92352

Membership

Membership in MTARA is open to any individual interested in learning more about Amateur Radio. An FCC issued license is not required, but is encouraged. Membership is on an annual basis, running for the calendar year. There are no prorated membership fees. Club fees are \$20.00 for a single membership and \$30.00 for a family membership. The necessary forms can be found on the club's home page @ MTARA.club. Current members only need to send in their dues to MTARA, PO Box 2441, Lake Arrowhead, Ca. New members will need to download and send in their forms and payment to the same address.



TREASURER'S REPORT

As of February 6, 2024, the Club's Balance was:

\$14,290.68

Income:

\$350.00

73, Nancy, K6CUB

Local Weekly Nets

	Repeater	Time	Activity	Purpose
Monday	MTARA—2	7:00 p.m.	Weekly Check-In	MTARA News
Monday	144.330 MHz	8:00 p.m.	“Gordo Net”	Simplex Readiness
Tuesday	MTARA—5	7:00 p.m.	“Debbie Net”	Educational Topics
Wednesday	HF	7:30 p.m. First Wednesday	7.223 MHz	Band(s) Status
Friday	MTARA—5	5:00 p.m.	YL Happy Hour	It’s Friday
Daily	CBARC	7:00 a.m.	Tech. Net	Elmer Sessions

Upcoming Calendar Of Events

- February 24th-25th—North American QSO Party-RTTY
- March 2nd-3rd—ARRL International DX Contest-SSB
- March 5th—MTARA Club Meeting, 7 p.m., Location TBD
- March 10th—Daylight Saving Time Begins
- March 24th—North American Sprint-SSB
- April 2nd—MTARA Club Meeting, 7 p.m., Location TBD
- April 18th—World Amateur Radio Day
- April 27th—Morse Code Day
- April 26th-28th—The Big Bear Mini Hamcation



Big Bear Mini Hamcation

The first annual Big Bear Mini Hamcation will be an amateur radio event taking place on April 26-28, 2024 at The Lodge at Big Bear Lake, A Holiday Inn Resort. The focus of the event will be an introduction to emergency communications, overcoming mic-fright, and getting outside to “play radio.” Separate Tech Talk breakout sessions will be held for more advanced ham radio operators.

welcome from ARRL Orange Section Manager/Section Emergency Coordinator **Bob Turner**. The Young Ladies Radio League will hold a meet and greet with **Debbie Johnson**, District 6 Chairwoman and **Vickie Zumwalt**, YLRL President.

Some of the anticipated sessions include:

- *Introduction to Emergency Communications
- *Parks/Summits on the Air – How to POTA or SOTA
- *Working Special Events to Prepare for Emergency Communications and Support the Community
- *Portable and Mobile Antennas
- *How to Contact DX and Intro to Contesting
- *YLs (Women) in Ham Radio/How to set up a “Go Bag”

Amateur radio exams will be offered by K6DDZ.com VE Team for anyone wishing to earn an FCC license which is required for all levels of ham radio.

Opportunities for POTA, SOTA and an off-road event called “I am Lost” will be available.

An outdoor display of various antennas and a demonstration of Amateur Television will be held.

Vendor space is available.

Big Bear Mini Hamcation is an Open Air Big Bear event.

Ham conventions are popular events in the amateur radio community. Over 700 ham radio operators converged on Quartzsite, AZ in January for a weeklong event camping off the grid on BLM land. Other events take place in San Ramon, CA, Dayton, OH, Huntsville, AL, and Orlando, FL. The Big Bear Mini Hamcation will be the first ham conference in Southern California in many years. The idea is to promote a weekend escape to Big Bear and explore the ham radio hobby. Lodging recommendations will be available soon on the website.

An estimated 250 participants across the Southwest are expected to attend.

SPACE IS LIMITED AND IS SELLING FASTER THAN EXPECTED

REGISTER TODAY! CLICK ON THE LINK BELOW!

[Big Bear Mini Hamcation Registration, Fri, Apr 26, 2024 at 3:00 PM | Eventbrite](#)

Quartzfest 2024

by WB6LVC



The usually quiet and sparsely occupied desert lands of Quartzsite, Arizona became much busier during the week of January 21-27 as over 700+ Hams arrived to take part in the annual event of **Quartzfest 2024**. This major event started informally back in 1995, and continued to grow to the amazing gathering that just took place. Unofficially, that's 29 years of off-roaders/Hams gathering "off the grid" to use their radios for communication as well as sharing ideas about equipment uses, taking part in

contests and teaching about new techniques with fellow hams. Many of the coordinators of the event arrived days before the official opening to set up Amateur Television systems, *Starlink* systems and tents for check-in and information posting.

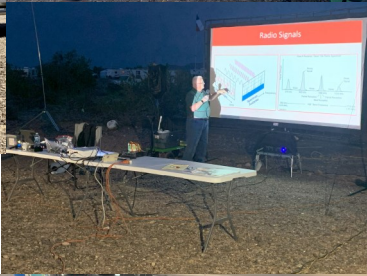
The days all began with a 2-meter Information Net at 7:45 which was repeated with updates at Noon. At 3:45 in the afternoon, all met around the campfire for "Happy Hour" which was a time for announcements, schedule reviews and raffles. If you couldn't make it out to the actual site, you could watch it on the ATN/Cable, Channel 58 (Thank you Gary/W6KVC). During the day, there were seminars both in the morning and in the afternoon. They ranged from POTA/SOTA discussion to DX contesting, types of antennas and their use over to cast iron cooking, crocheting, a hootenanny and much more. There was something for everyone. Sometimes, people just gathered to enjoy the beauty of the desert and being with friends and family.

The weather was much nicer this year, as we did not have the strong winds we had last year. This allowed for better attendance at the seminars which were all held outside, with no tents. We had overcast days in the beginning of the week, followed by a rainy day on Tuesday. But the rain held down the sand whenever the wind blew, so that was perfect. Overall, I would state that all in attendance had a wonderful experience and a fun time sharing the hobby. As you look at the photos, you will see many familiar faces. Hope you enjoy hunting for a friend and seeing the beautiful site where Quartzfest was held. Will you join us next year? We hope so.





Q
2
U
0
A
2
R
4
T
Z
F
E
S
T



Ponder the Pool by AA6GJ

Ponder the Pool is a way for us as Amateur Radio Enthusiasts to dive into selected questions more deeply from each of the current FCC pool of questions used to create the randomly generated Examinations for the Technician, General, and Amateur Extra License. Ponder the Pool is helpful to individuals who are studying for an exam or simply to review concepts that we have already learned.

Because, as we know, if we don't use it, we lose it.

The question we will ponder today comes from the new General Class pool.

Question: **G5B02 – How does the total current relate to the individual currents in a circuit of parallel resistors?**

So, the first thing I like to do is determine the total resistance in the parallel circuit. Since this circuit has unlike resistances, we must use the "reciprocal of the reciprocals" equation as thus: (The circuit we are using is on the next page.)

$$R_T = \frac{1}{\frac{1}{R_1} + \frac{1}{R_2} + \frac{1}{R_3}}$$

$$R_T = \frac{1}{\frac{1}{40 \Omega} + \frac{1}{20 \Omega} + \frac{1}{10 \Omega}}$$

$$R_T = \frac{1}{.025 + .05 + .1}$$

$$R_T = \frac{1}{.175}$$

$R_T = 5.7 \Omega$ **Note:** In a parallel circuit, R_{Total} will always be less than the lowest resistance in the circuit.

OK, so now we know the total resistance of this circuit is 5.7 Ohms.

The next step is to determine the total current in the circuit. We use Ohm's Law for that with this equation:

$$I_T = \frac{E}{R}$$

$$I_T = \frac{60 V}{5.7 \Omega}$$

$$I_T = 10.5 \text{ Amps.}$$

We have learned that voltage in a parallel circuit is constant, therefore, if we use a multimeter to measure the voltage across each of the resistors, we will indeed find 60 Volts. We have also learned that as voltage (V) is constant across all components in a parallel circuit, the current (I) divides through each of the resistors, and since they are unlike resistors, the current would divide unequally. Let's test our theory. We will use Ohm's Law again, this time measuring the current separately through each resistor thusly:

$$I = \frac{E}{R}$$

Note: *I* stands for current intensity.

$$I = \frac{60\text{ V}}{40\ \Omega}$$

$$I_A = 1.5\text{ Amps.}$$

$$I = \frac{60\text{ V}}{20\ \Omega}$$

$$I_B = 3\text{ Amps.}$$

$$I = \frac{60\text{ V}}{10\ \Omega}$$

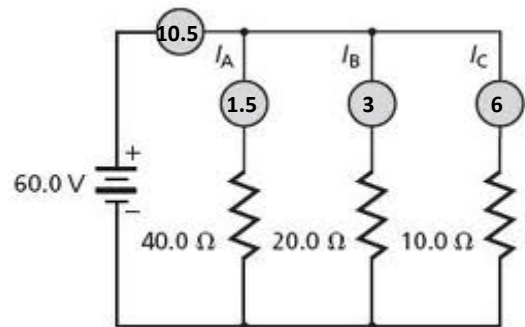
$$I_C = 6\text{ Amps.}$$

We may now solve our problem and answer the question by simply adding the current measurements through each of the components (resistors):

$$I_{Total} = I_A + I_B + I_C$$

$$I_{Total} = 1.5\text{ Amps.} + 3\text{ Amps.} + 6\text{ Amps.}$$

$$I_{Total} = 10.5\text{ Amps.}$$

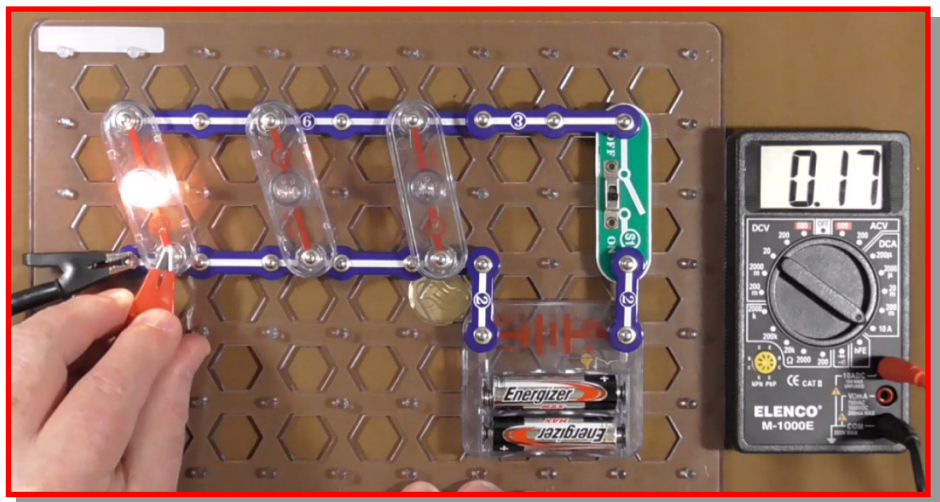


The **total current** equals the **sum** of the currents through each branch.

That is why the official answer to this question is:
G5B02 – It equals the sum of the currents through each branch.

That's *Ponder the Pool* for another month. I hope it was helpful. Stay tuned, next month we will come up with another question to ponder. 73 – Gary
 If you have any questions or comments, drop me an email at AA6GJ@arri.net

Each lamp in this parallel circuit has .17 Amps. flowing through each lamp. If we sum each of the current values, we find that there is .51 Amps. total current flowing when all three lamps are lit.



Amateur Radio Exams Now Online or In-Person!

No Paper! All Electronic! Very Cool!

with K6DDZ & AA6GJ

Now that MTARA is back to in-person meetings, amateur radio testing will be offered before each meeting. Testing will cover all three elements (Technician, General and Amateur Extra). Remote (online) testing is also available by appointment.

For MTARA in-person or remote testing, please go to **K6DDZ.com - Amateur Radio Testing Made Simple.**

ONLY ONE CLICK to:

Order Gordon West's study materials

HamStudy.org Practice Tests (all levels)

Schedule a Test (in-person or remote)

Get Your FCC Registration Number (FRN)

Pay for Your Test

...and even click to Gary's (AA6GJ) video training for more in-depth knowledge

Let's keep it simple! Any questions, email Dede Hermon at DedeK6DDZ@gmail.com

And if you are DTH (Down the Hill)

You can test all classes of license with the

**West End Amateur Radio
Group**



That's my team AA6GJ and the Group

If you are interested, drop me an email at AA6GJ@arrl.net to set a time, either online or in-person or to just get information. We can help you with your FRN, too.

73,

Gary

<https://GaryRJohnson.org>

Mountain Top Amateur Radio Association

The Amateur's Code by Paul M. Segal, W9EEA (1928)

The Radio Amateur is:

CONSIDERATE never knowingly operating in such a way as to lessen the pleasure of others.

LOYAL offering loyalty, encouragement and support to other amateurs, local clubs and the American Radio Relay League, through which Amateur Radio in the United States is represented nationally and internationally.

PROGRESSIVE with knowledge abreast of science, a well built and efficient station, and operation beyond reproach.

FRIENDLY with slow and patient operation when requested, friendly advice and counsel to the beginner, kindly assistance, co-operation and consideration for the interests of others. These are the hallmarks of the amateur spirit.

BALANCED Radio is an avocation, never interfering with duties owed to family, job, school or commu-

MTARA Shirts, Jackets, and More

We have many items available with our club logo.

The information for ordering is as follows:

- Name Tags—Harlan Technologies, Name Tags by Gene (715) 340-1299, www.hampubs.com
- Mouse Pads—Check with Jodi, WA6JL
- Polo Shirts—Port Authority 510L Dark Green, 510K Dark Green, Long Sleeve Dark Green.—Check with Brandy
- Jackets—Forest Green or Black J317. Sizes Small to 6X
- Brandy will also embroider hats. You must supply the hat.
- Contact:

Hurt Ink

2651 Coleen Lane

San Bernardino, CA 92407

(909) 815-6852

hurtink815@gmail.com

www.hurtink.com

