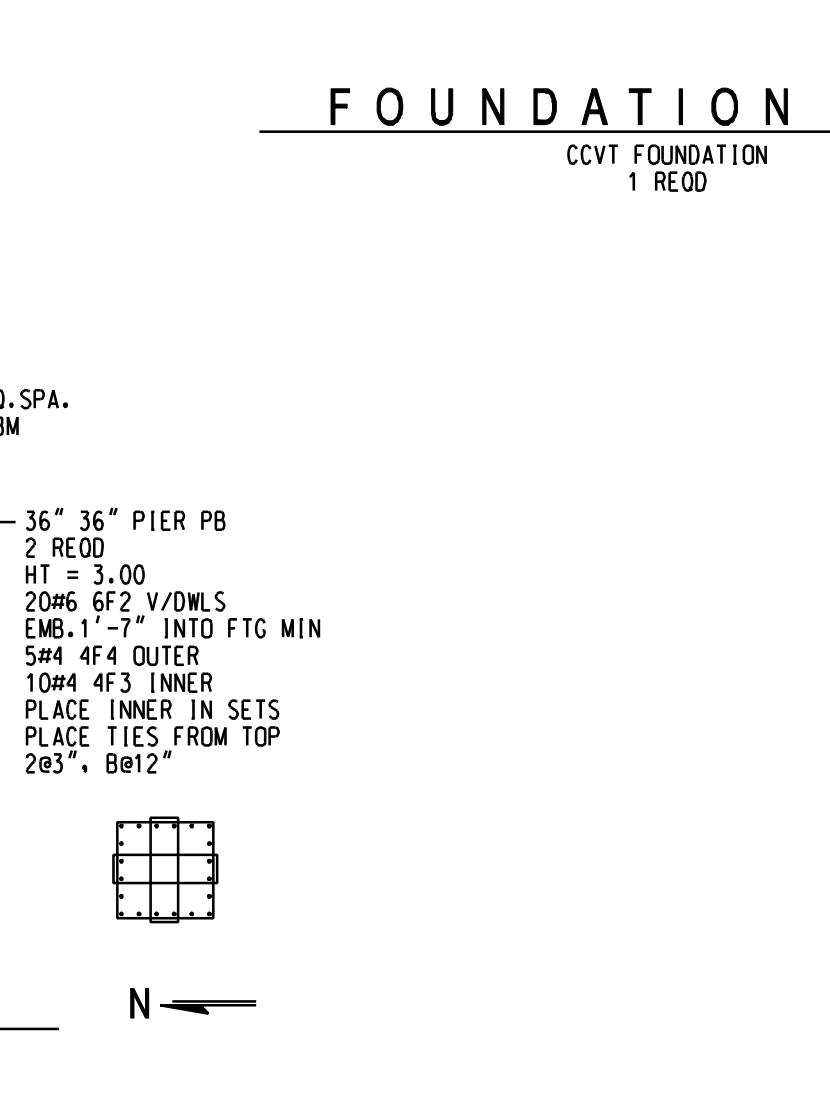
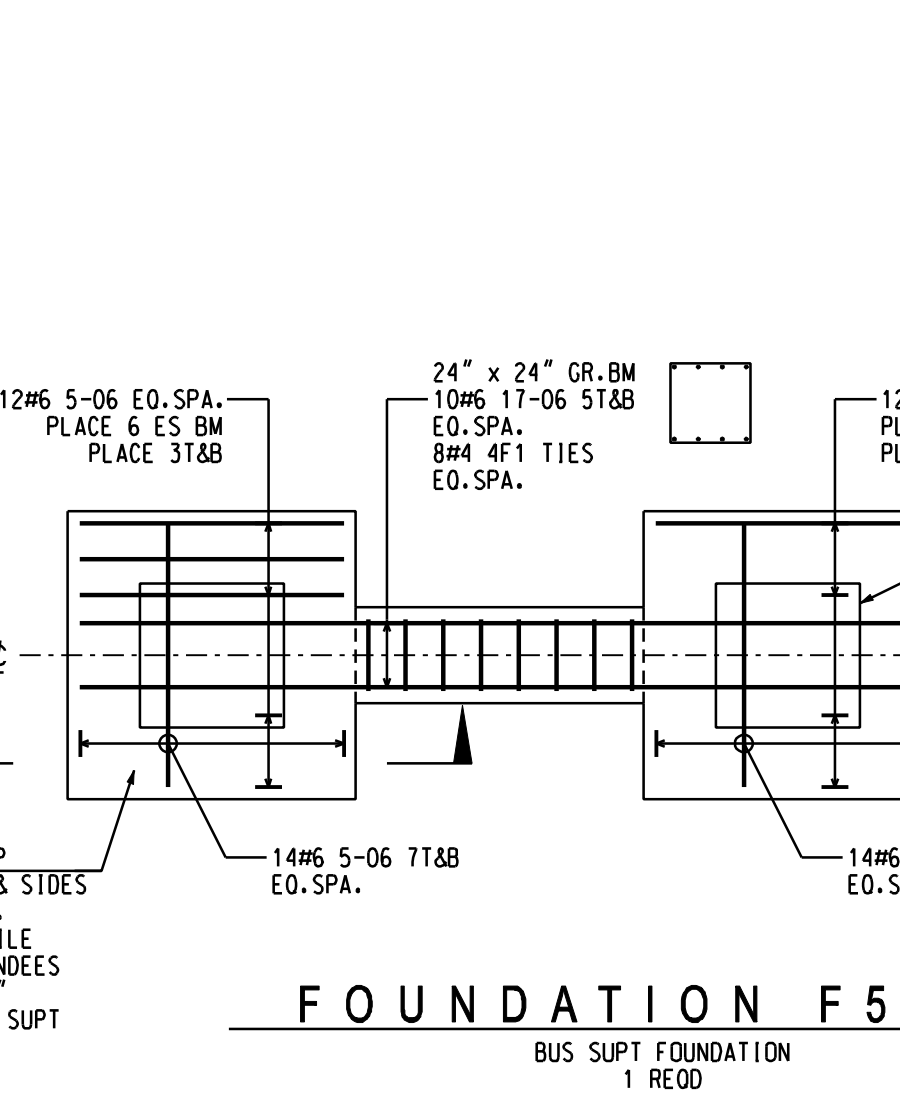
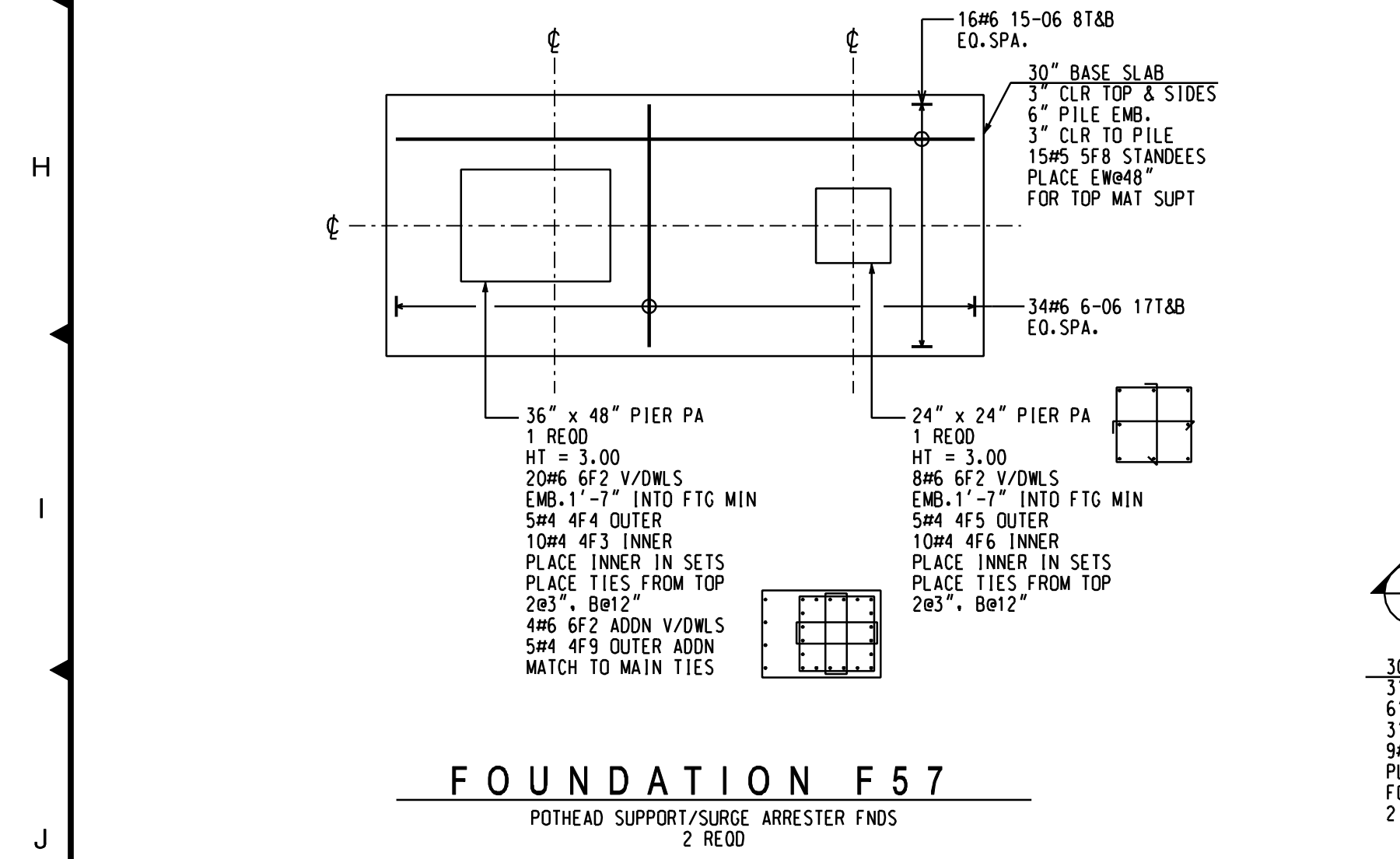
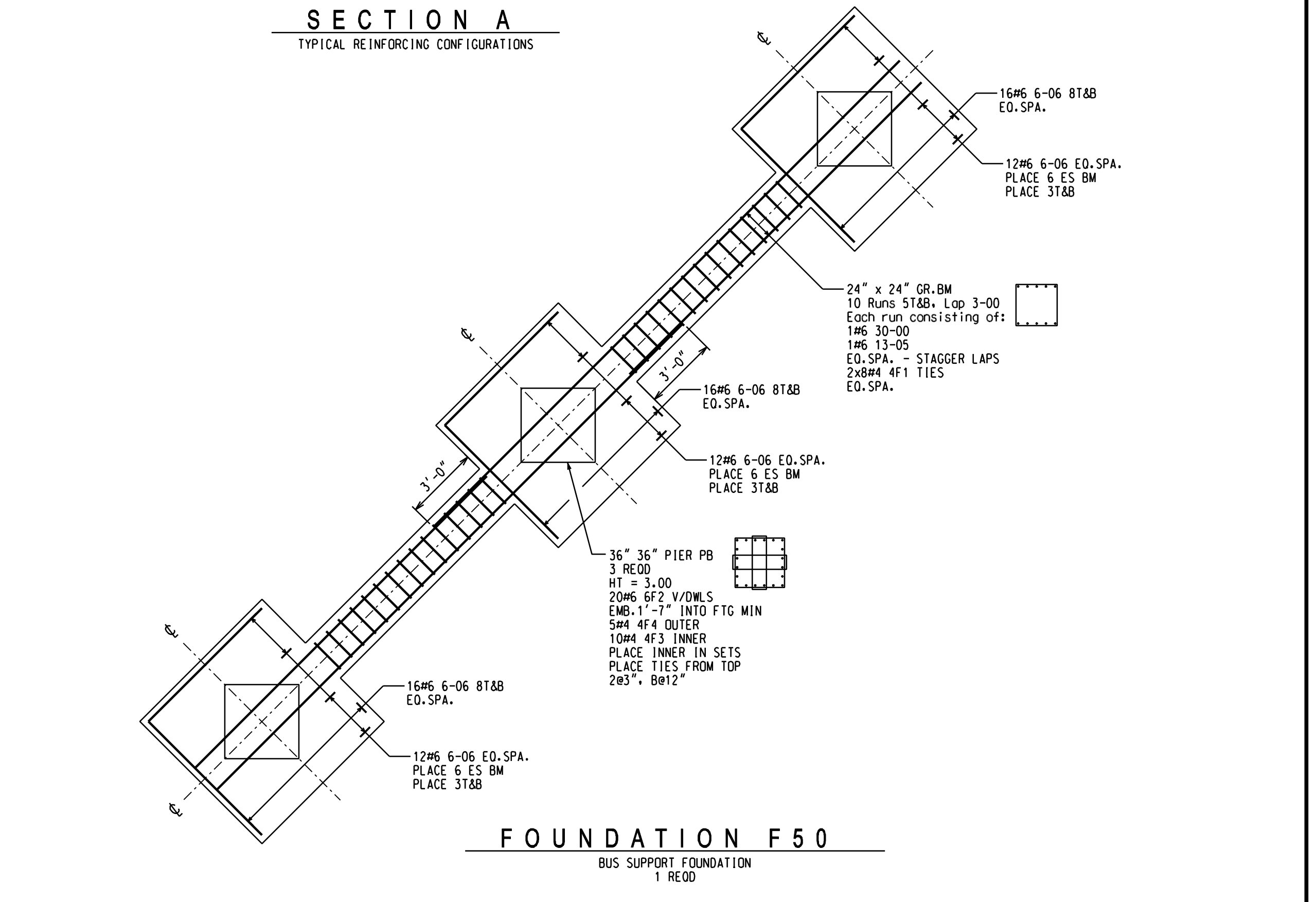
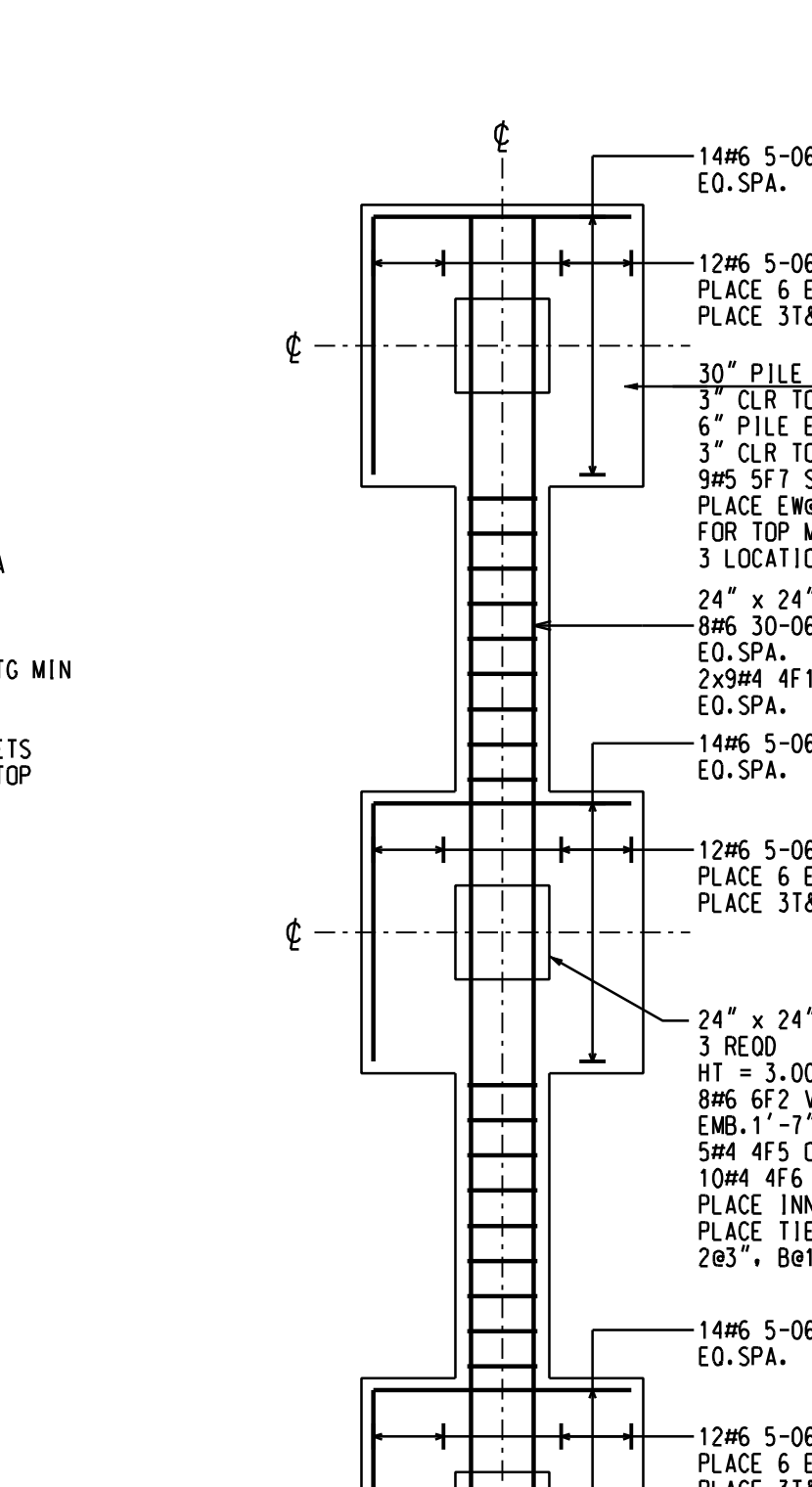
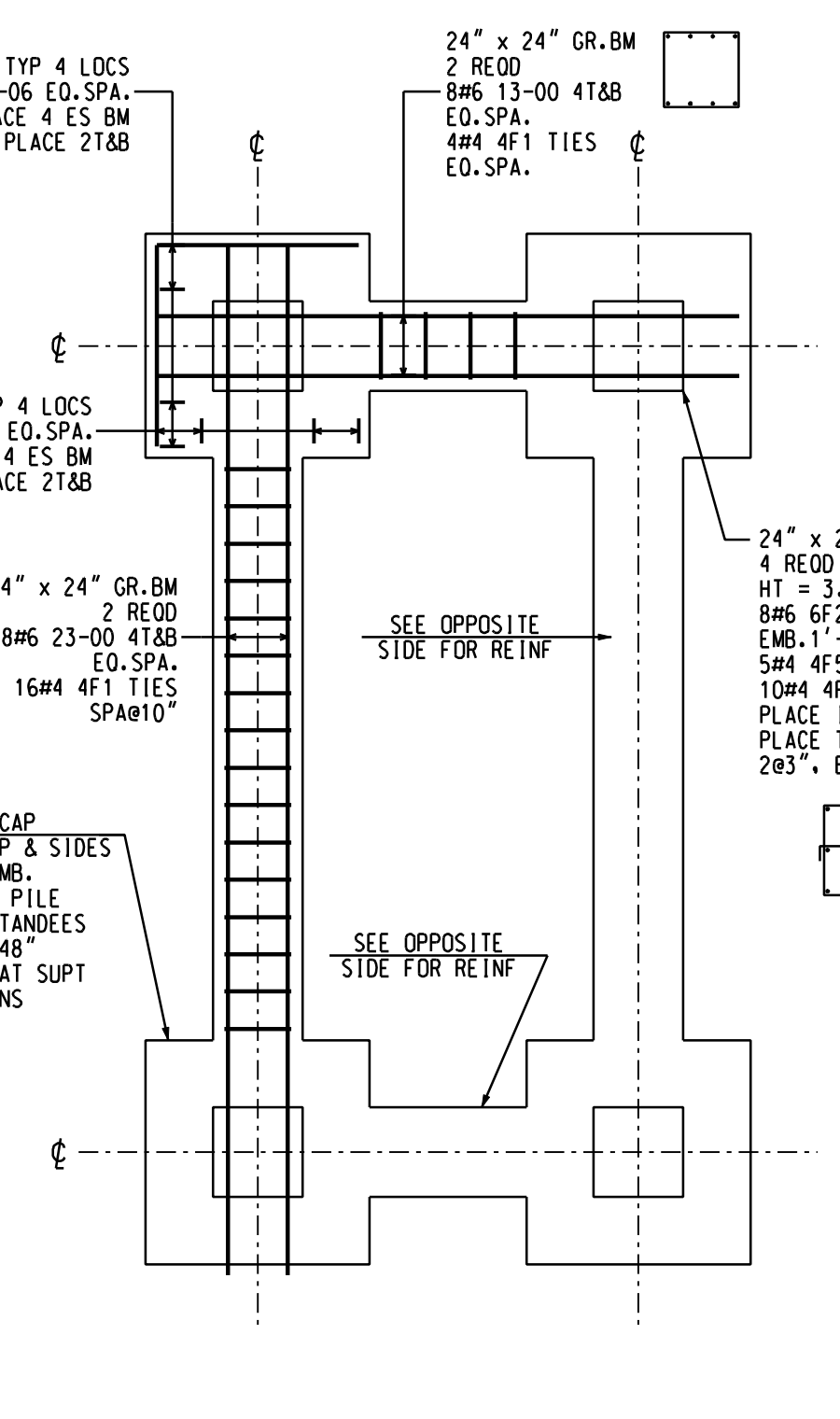
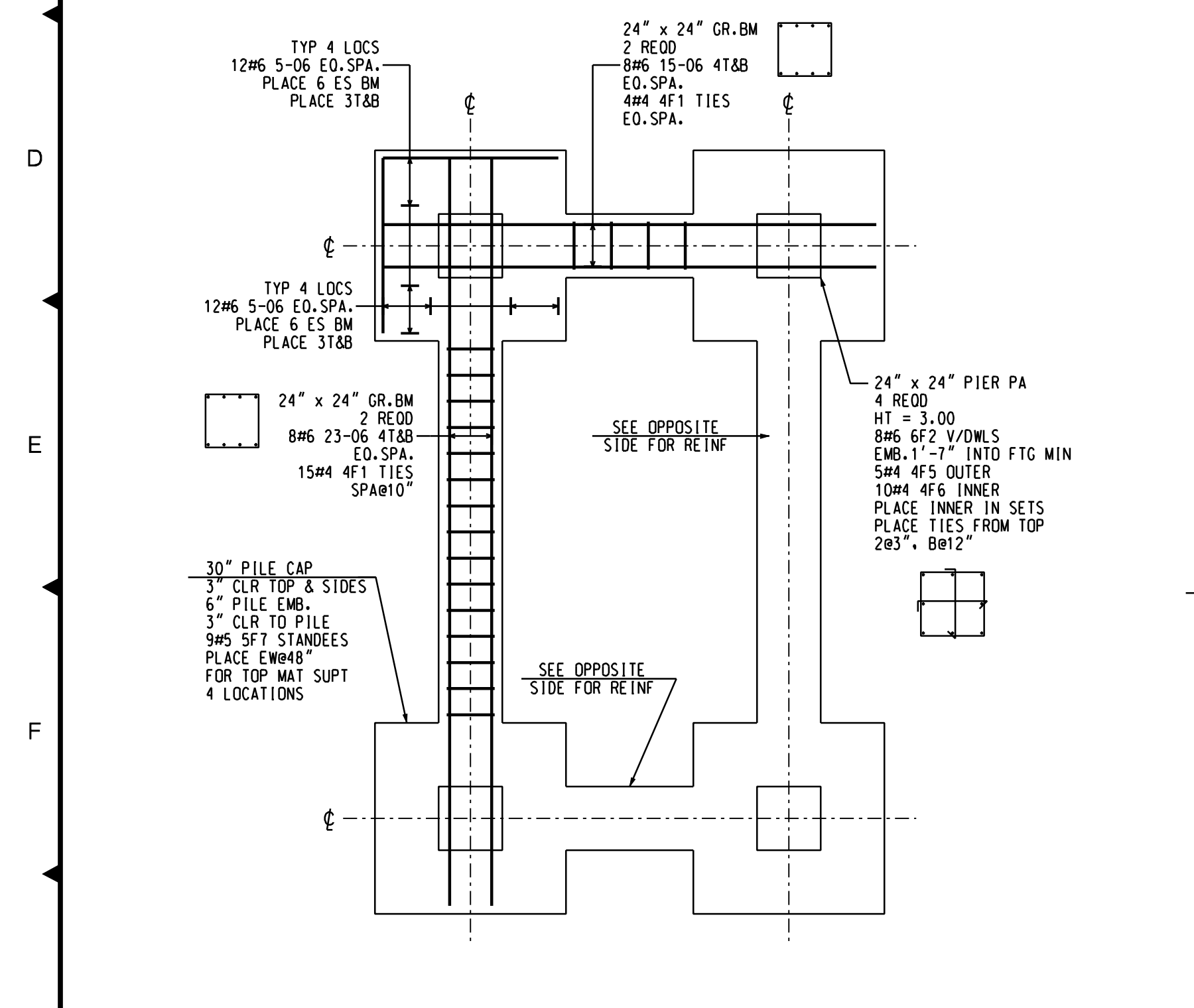
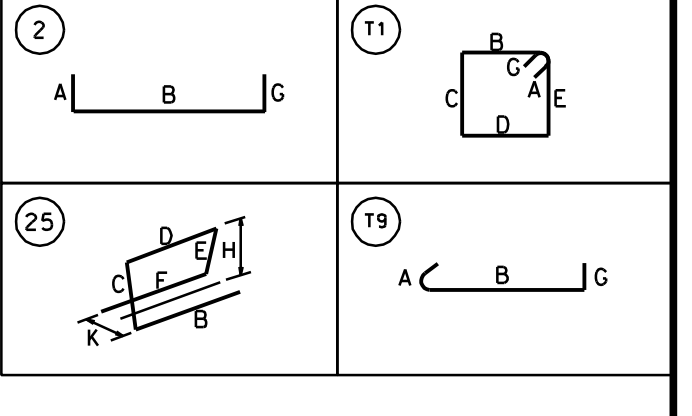
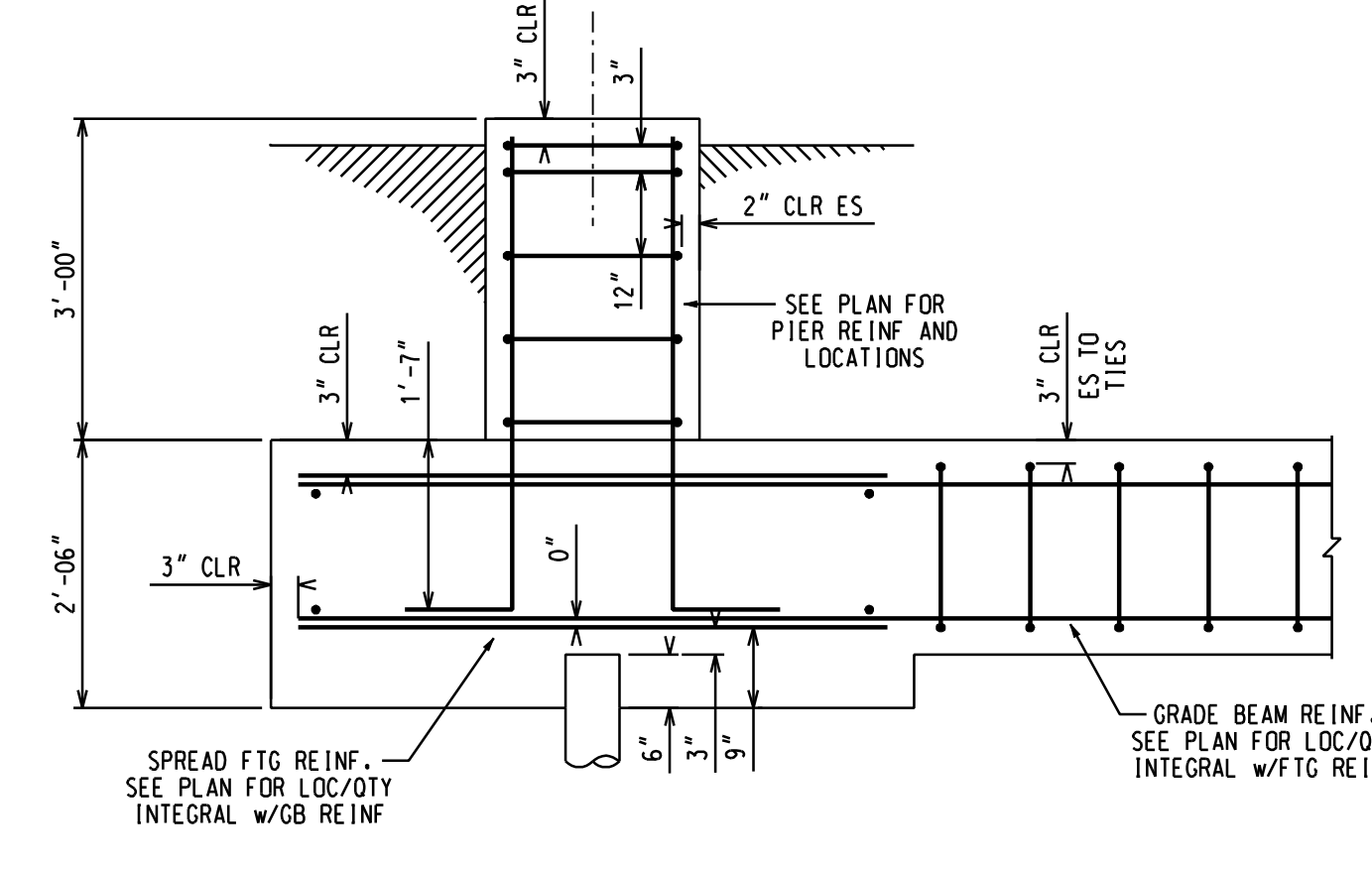
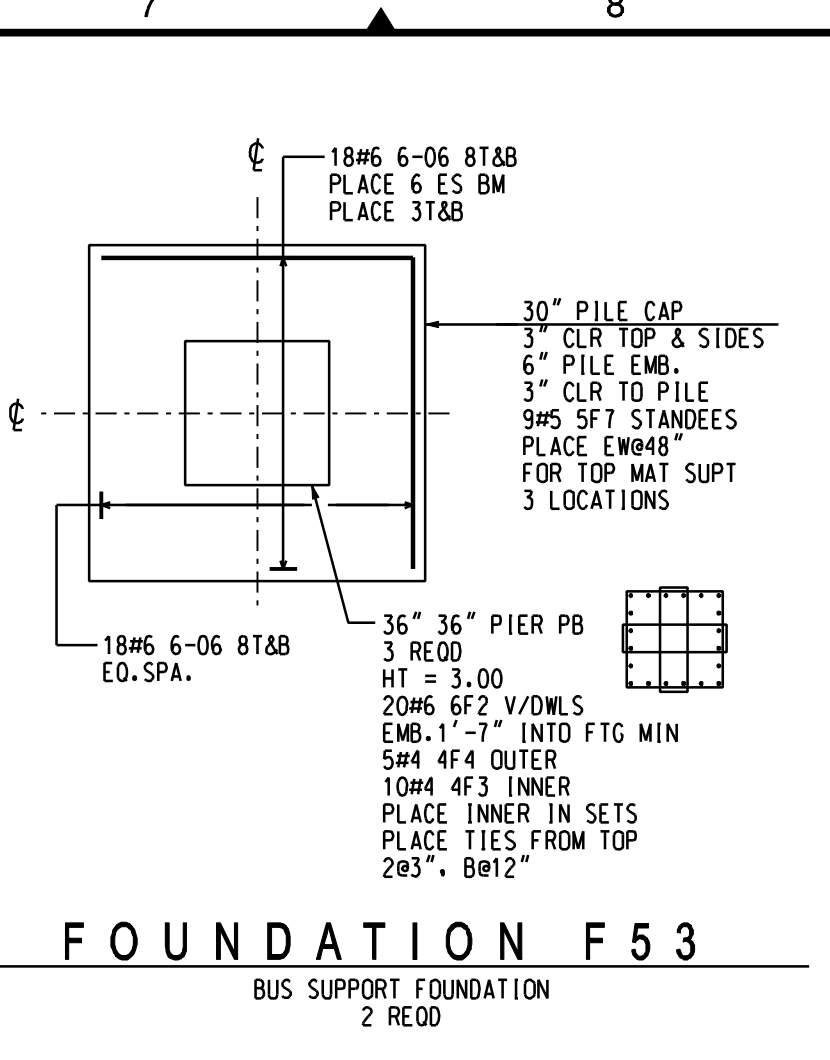
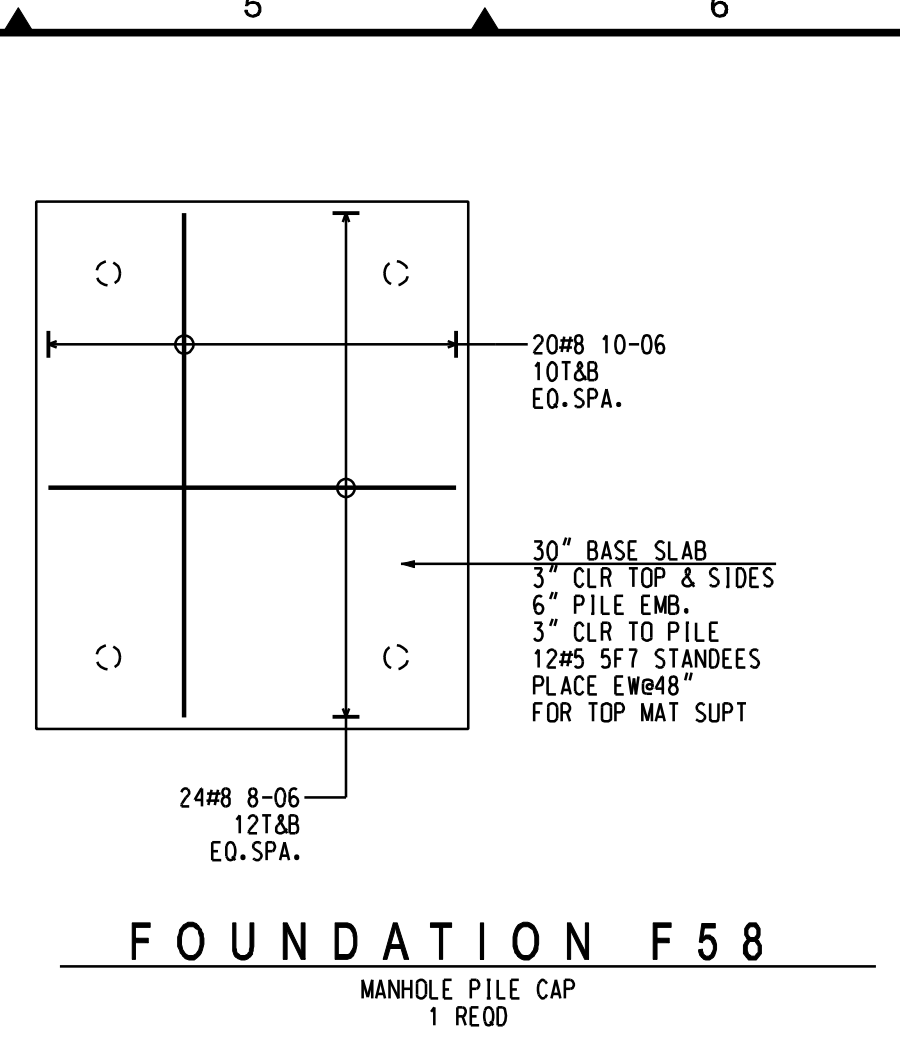
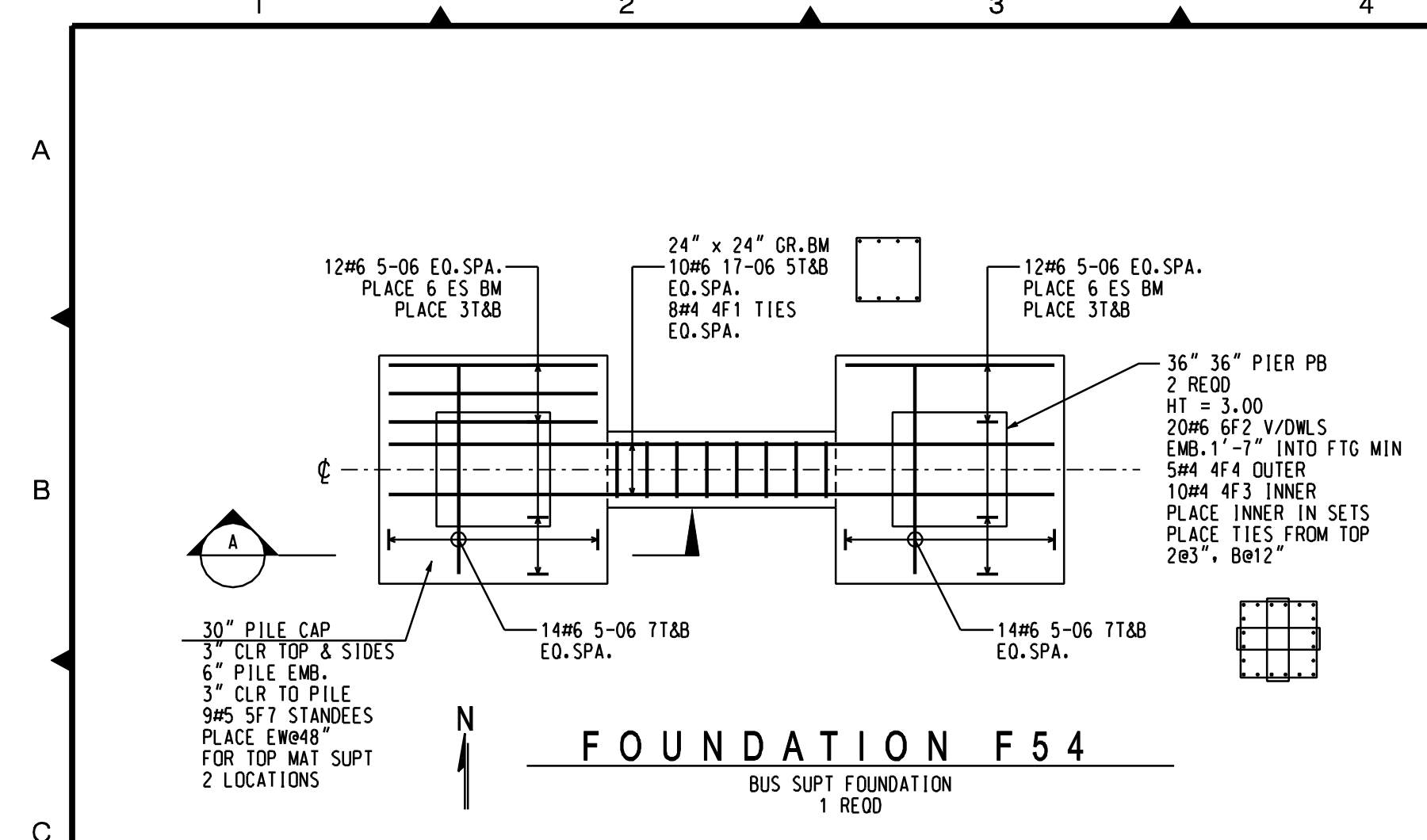


SIZE	EP	BAR MARK	BND V TYP	CO	BENDING DIMENSIONS												
					A	B	C	D	E	F/R	G	H	J	K	O		
6	6F2		2	1-00	4-05												
5	5F7		25		1-06	1-021	1-021	1-021	1-021	1-021							
5	5F8		25		1-06	1-031	1-031	1-031	1-031	1-031							
4	4F1		T1	0-042	1-06	1-06	1-06	1-06	1-06	0-042							
4	4F3		T1	0-042	2-08	0-08	2-08	0-08	0-08	0-042							
4	4F4		T1	0-042	2-08	2-08	2-08	2-08	2-08	0-042							
4	4F5		T1	0-042	1-08	1-08	1-08	1-08	1-08	0-042							
4	4F6		T9	0-042	1-08					0-042							
4	4F9		T1	0-042	3-08	2-08	3-08	2-08	0-042								



DETAILED PER DRAWINGS ISSUED
FOR CONSTRUCTION DATED 12-11-07
303093 A 2816-0
303094 A 2816-0

PLEASE NOTE:
THIS REINFORCING STEEL PLACING DRAWING IS TO BE USED IN CONJUNCTION WITH CONTRACT DRAWINGS AND SPECIFICATIONS. ALL ELEVATIONS AND DIMENSIONS SHOWN ON THIS DRAWING ARE FOR THE REINFORCING DETAILING AND PLACING ONLY. THEY SHOULD NOT BE USED FOR CONSTRUCTION WITHOUT THE VERIFICATION AND APPROVAL OF THE PROJECT ENGINEER OR CONTRACTOR.

