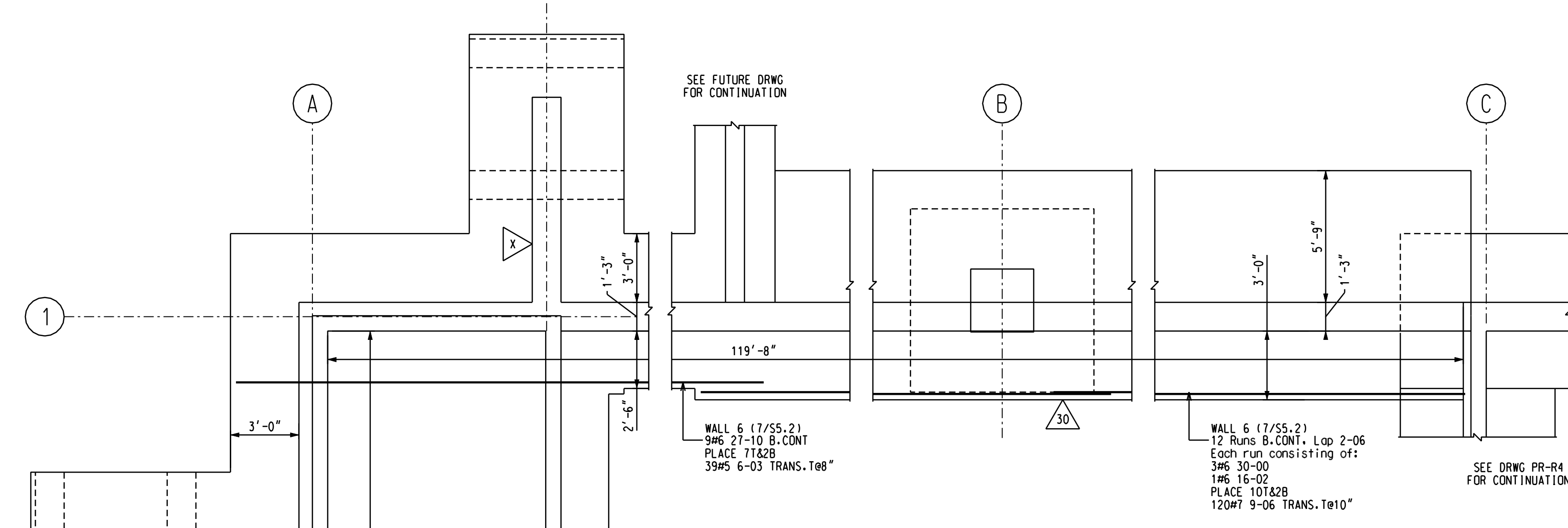
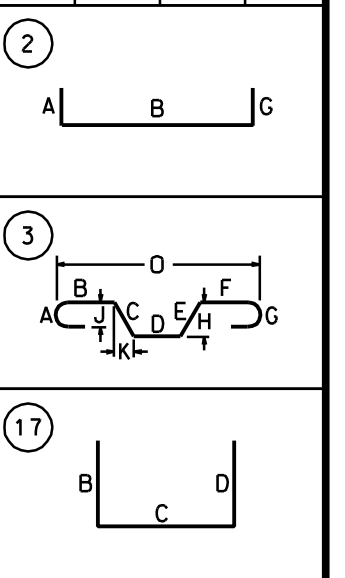
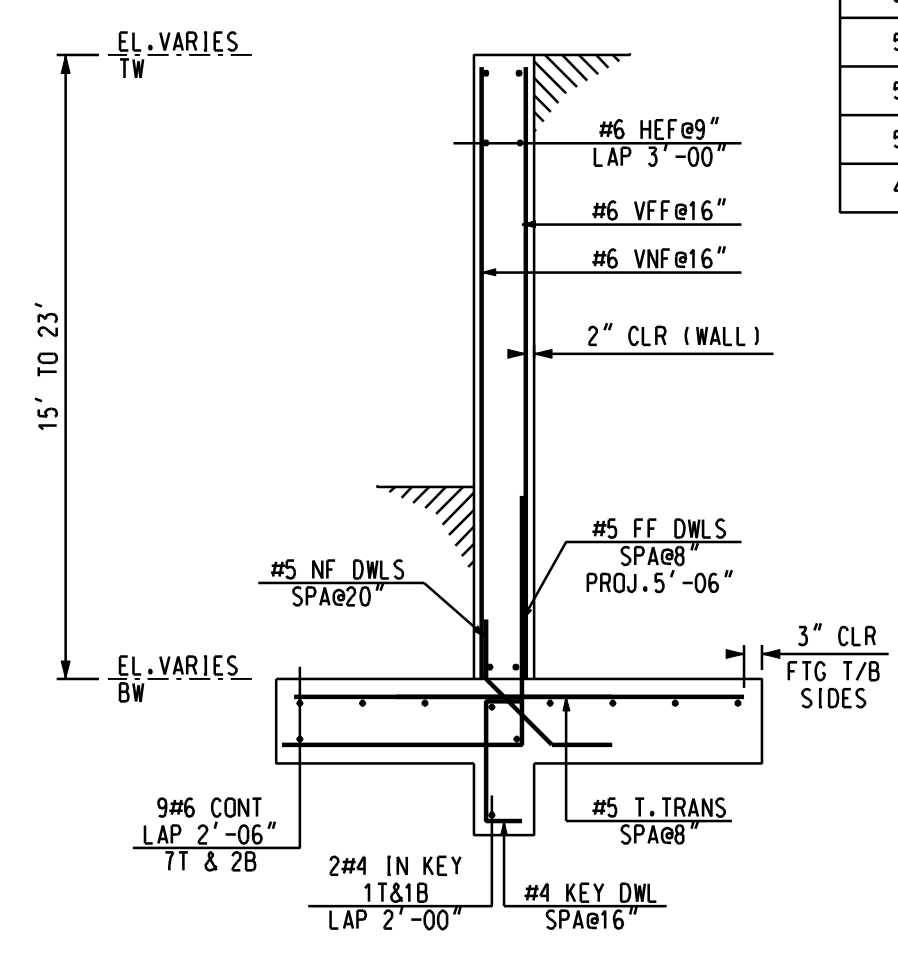
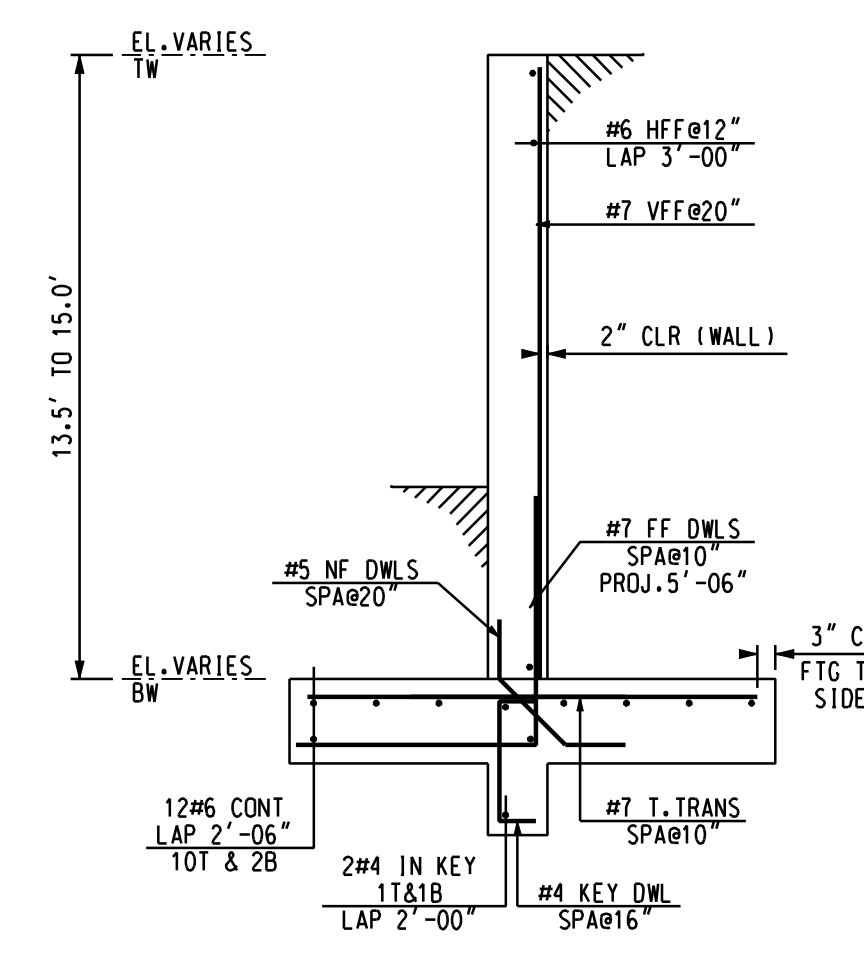


SIZE	EP	BAR MARK	BND	TYP	CD	A	B	C	D	E	F/R	G	H	J	K	D
7		7W59		17		3-09	6-06									
6		6W30		17		2-06	2-06									
6		6W55		17		3-00	3-00									
5		5W32		2	0-10	6-06										
5		5W54		17		3-03	6-06									
5		5W67		3		0-10	2-00	0-10				0-07		0-07	3-021	
5		5W76	S	2	0-10	5-05										
5		5W76	+	2	0-10	0-10										
4		4W20		17		0-06	1-08	0-06								

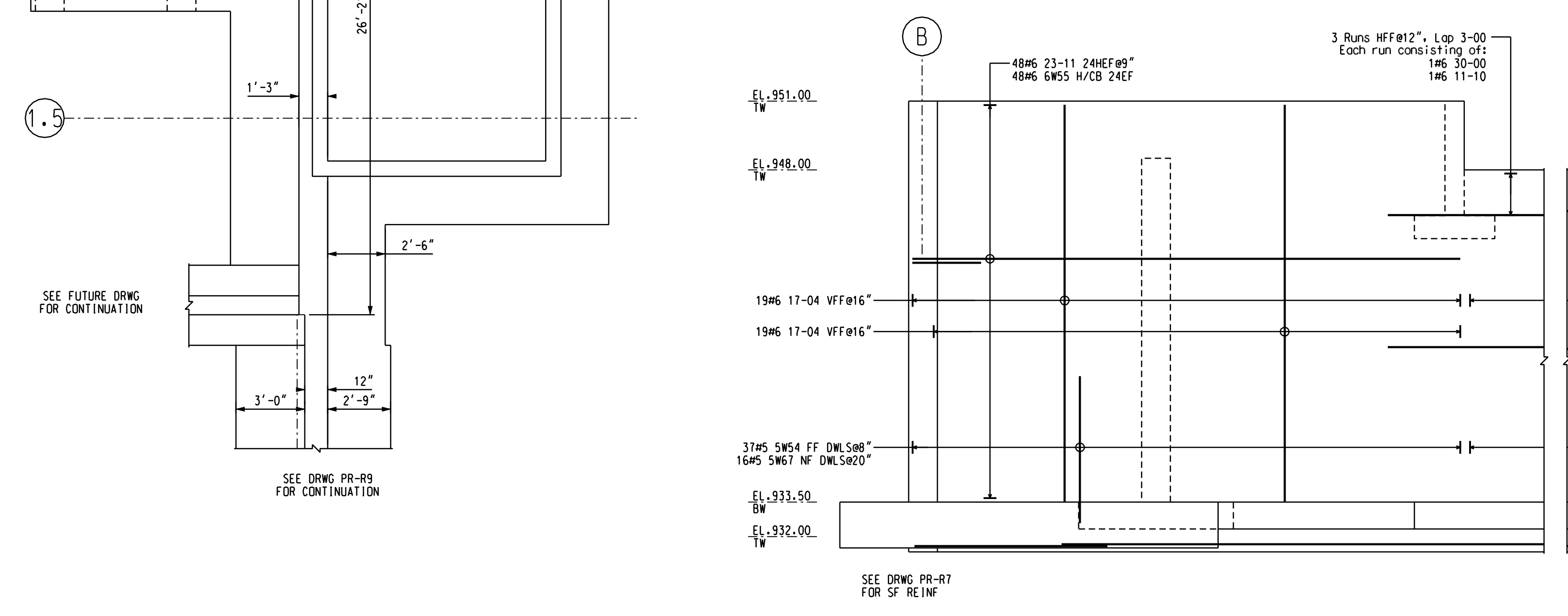


PART PLAN - PARKING RAMP RW
VERIFY ALL DIMENSIONS AND ELEVATIONS SHOWN THIS SHEET

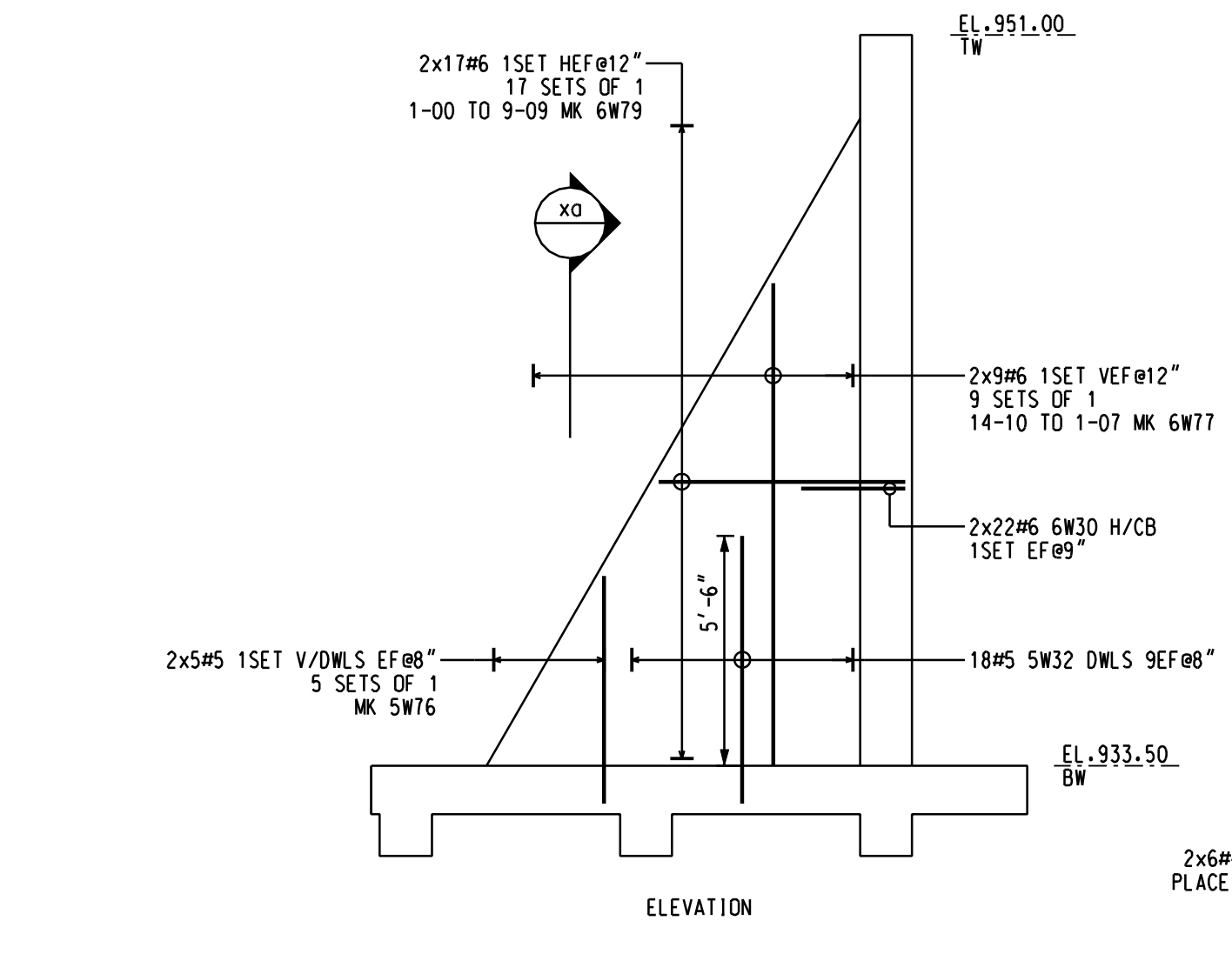
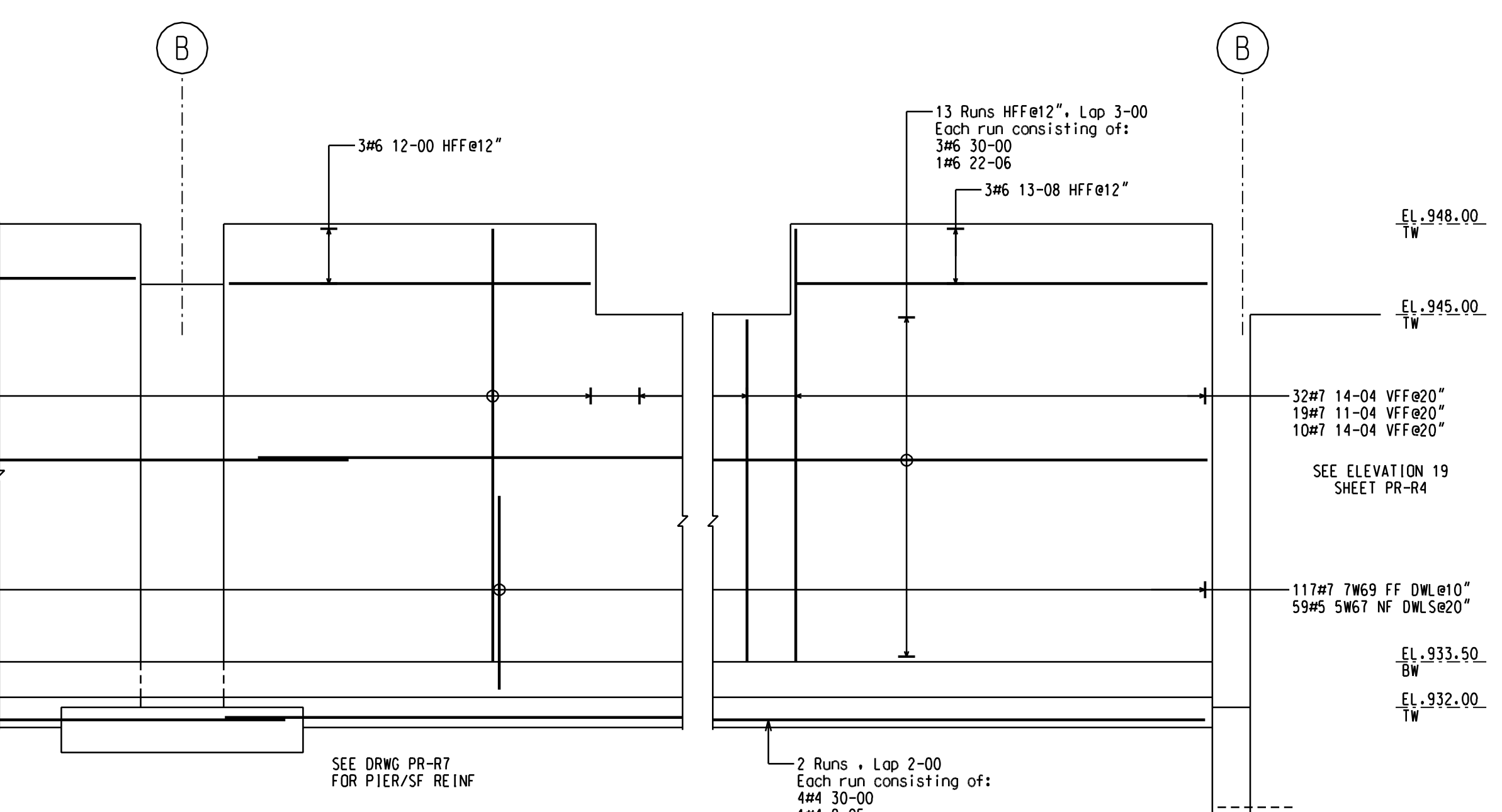


SECTION RW6

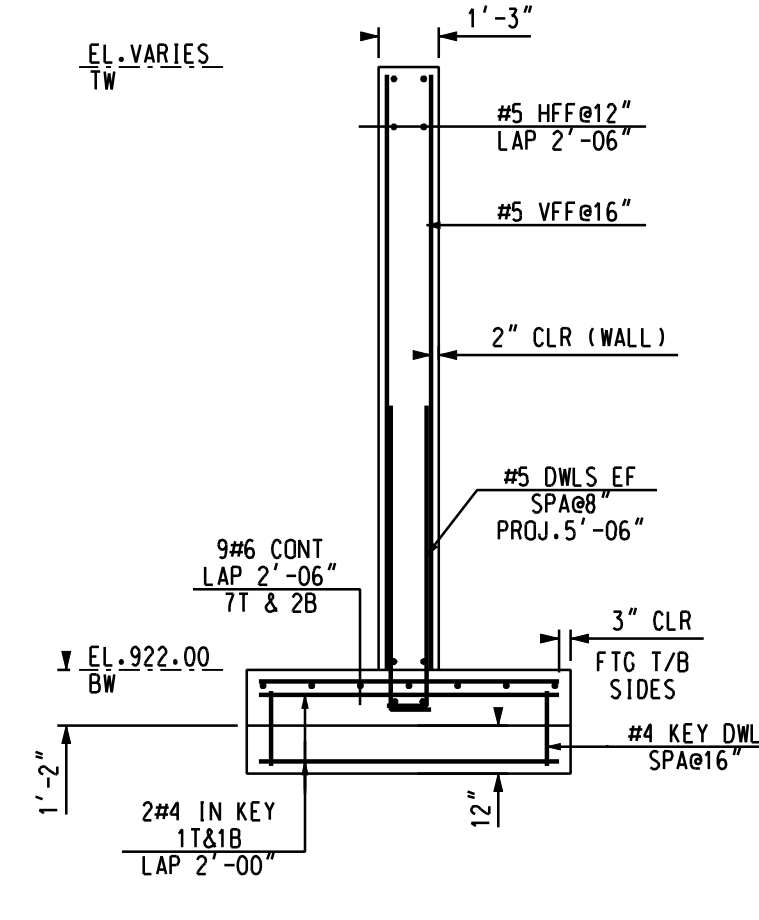
SECTION RW7



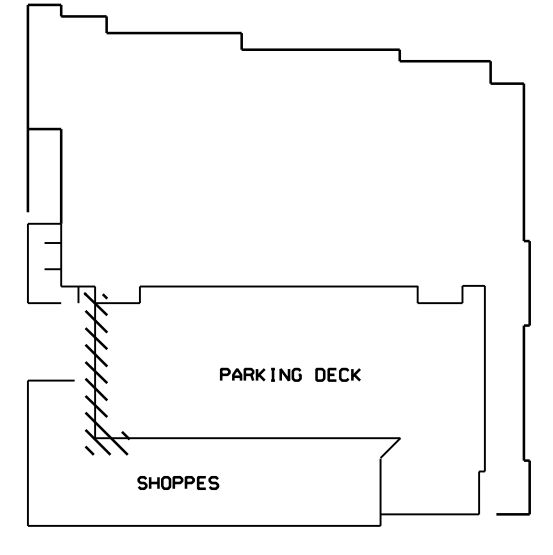
ELEVATION 30



DETAIL X
2 REQUIRED



SECTION XA



KEY PLAN

REFERENCE DWGS. - SB.2, S5.1, S5.2, S5.3

- REINFORCING BARS
ASTM A615 GRADE 60
UNLESS NOTED
LAP ALL CONTINUOUS BARS AS NOTED
- | | | |
|------|------|-------|
| *3 - | *6 - | *9 - |
| *4 - | *7 - | *10 - |
| *5 - | *8 - | *11 - |

LEGEND:
IF INSIDE FACE OF OUTSIDE FACE
NF NEAR FACE
FF FAR FACE
EF EACH FACE
EW EACH WAY

D DOWEL
V VERTICAL
H HORIZONTAL
B/BOT BOTTOM
T TOP
SB SUPPORT BARS

NOTICE

SHORTAGES, IMPROPER FABRICATION OR CLAIMS FOR ANY OTHER REASON MUST BE REPORTED TO THIS COMPANY WITHIN A PERIOD OF 30 DAYS OF DELIVERY. THIS COMPANY RESERVES THE RIGHT TO FIELD INSPECT PRIOR TO REPLACEMENT OR RECONDITIONING OF NONCONFORMING MATERIAL, AND WILL NOT HONOR CHARGES FOR WORK DONE IN THE FIELD WITHOUT SPECIFIC AUTHORIZATION FROM THIS COMPANY.

REINFORCING STEEL PLACING DRAWINGS ONLY USE IN CONJUNCTION WITH CONTRACT DRAWINGS & SPECIFICATIONS. ELEVATIONS & DIMENSIONS SHOWN ON THIS DRAWING ARE FOR DETAILING PURPOSES ONLY AND SHOULD NOT BE USED FOR CONSTRUCTION UNLESS VERIFIED BY ENGINEER OR CONTRACTOR.

