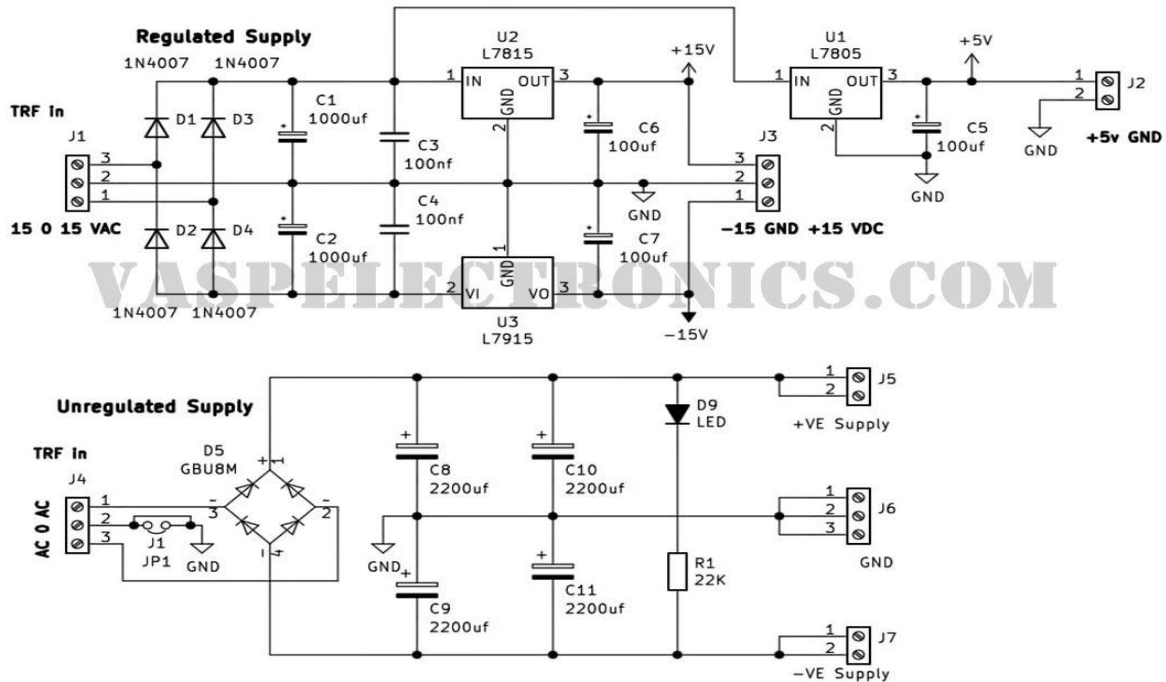


Regulated & unregulated Power Supply List of Parts

No.	Description	References	Value	Quantity Per PCB
1	Unpolarized capacitor	C3 C4	100nf 63V	2
2	Polarized capacitor	C1 C2	1000uf 35V	2
3	Polarized capacitor	C5 C6 C7	100uf 25V	3
4	Polarized capacitor	C8 C9 C10 C11	2200uf 50V	4
5	1N4007, RL207	D1 D2 D3 D4	1N4007	4
6	GBU1010 , GBU8M, GBU808	D5	GBU808	1
7	LED 5mm	D9	LED	1
8	Screw Terminal 2 Pole	J2	+5v GND	1
9	Screw Terminal 2 Pole	J5	+VE Supply	1
10	Screw Terminal 3 Pole	J3	-15 GND +15 VDC	1
11	Screw Terminal 2 Pole	J7	-VE Supply	1
12	Screw Terminal 3 Pole	J1	15 0 15 VAC	1
13	Screw Terminal 3 Pole	J4	AC 0 AC	1
14	Screw Terminal 3 Pole	J6	GND	1
15	Wire Jumper	JP1	J1	1
16	Resistor 1/4 watt	R1	22K	1
17	L7805	U1	L7805	1
18	L7815 / L7812	U2	L7815	1
19	L7915 / I7912	U3	L7915	1

Combined Regulated & Unregulated Power Supply Board Circuit



For More Info Please Visit - VASPElectronics.com