



JNT-EVC10  
Charging Station  
Spec Sheet

# JNT-EVC10: Level 2 AC EV Charger

## Features



# JNT-EVC10: Level 2 AC EV Charger

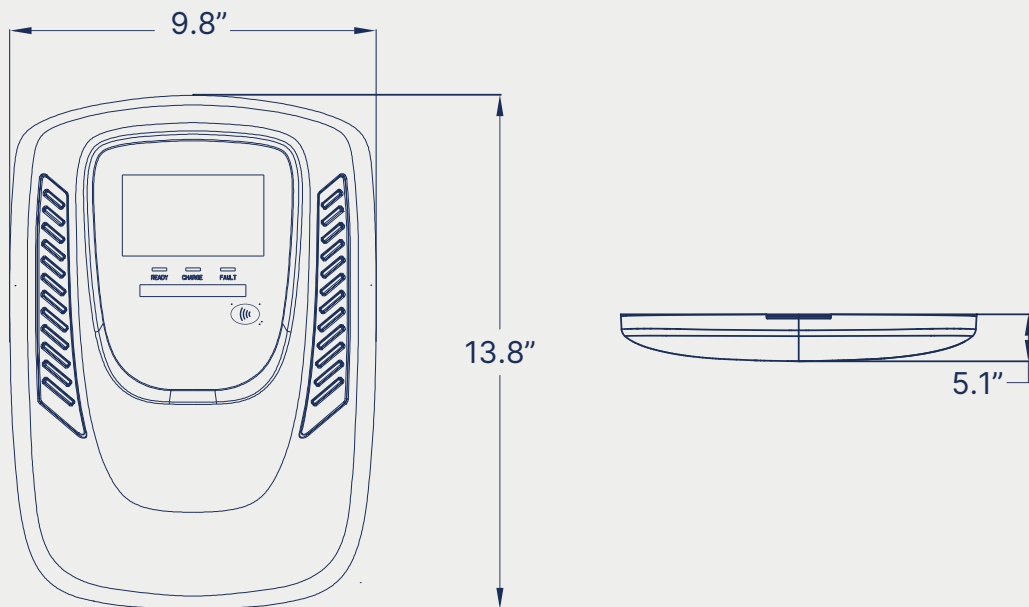
# Specifications

Power Specifications		
Input	Input Rating	200-240 VAC
	Frequency	60Hz
	Input Current	16-48 amps
Output	Output Current	16-48 amps
User Interface & Control		
User Authentication	RFID (ISO 14443)	
Communications		
External	LAN + 4G or Wi-Fi (All Optional)	
Internal	OCPP 1.6 JSON (OCPP 2.0 Compatible)	
Environmental		
Operating Temperature	-30°C – +50°C / -22°F – +122°F	
Humidity Maximum	95%	
Altitude	≤ 2000 m / ≤ 6561 ft	
IP Code	IP3X	
Cooling Method	Natural Cooling	
Mechanical		
Product Dimensions	35.05 cm x 24.89 cm x 12.95 cm / 13.8" x 9.8" x 5.1"	
Package Dimensions	76.45 cm x 33.02 cm x 19.30 cm / 30.1" x 13.0" x 7.6"	
Net Weight	8.21 kg / 18.1 lbs	
Gross Weight	9.21 kg / 20.3 lbs	
Charging Outlet	18ft Standard (25ft Optional with Surcharge)	
Protections		
CCID	CCID20	
Protection Features	Overcurrent, Undervoltage, Overvoltage, Residual-Current, Surge Protection, Short-Circuit, Over Temperature, Ground Fault, Current Leakage	
Regulations		
Certificate	UL 2594, UL 2231-1/-2	
Safety	ETL	
Wireless Certificate	Industry Canada (IC) / Federal Communications Commission (FCC)	
Charging Interface	SAE J1772	

# JNT-EVC10: Level 2 AC EV Charger Pedestal Options



## Schematic Diagram



# Thank you!

[sales@hypercharge.com](mailto:sales@hypercharge.com)

+1 (866) 764-5433



[hypercharge.com](http://hypercharge.com)