



JNT-EVC11  
Charging Station  
Spec Sheet

# JNT-EVC11: Level 2 AC EV Charger

# Features

Stylish PC casing material with Anti-UV treatment for yellowing protection

OCPP 1.6J Network Connectivity

IK08 & IP3X for Indoor & Outdoor Applications



Station ID:

LED Indicator

RFID Reader for Quick Start Charging



Wi-Fi/LAN

32 amp and 7.6kW output

18 ft Charging Cable

SAE J1772 Charging Plug



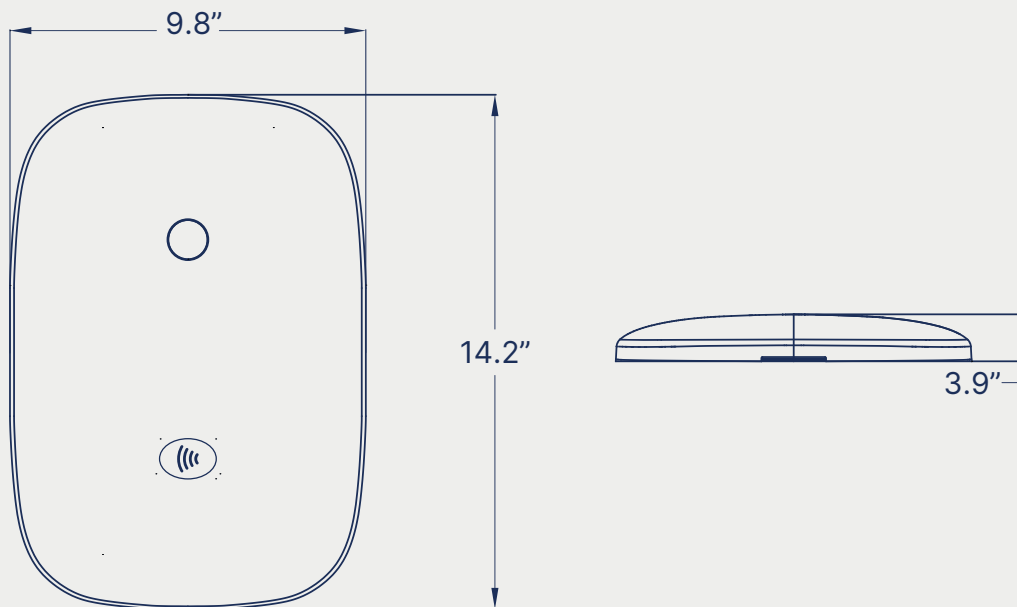
# JNT-EVC11: Level 2 AC EV Charger Specifications

Model No.	EVC11/32AC
Input Voltage	208-240Vac
Frequency	50-60Hz
Amperage	32A
Max. Power Output	7.6kW
Net Weight	12.1lbs
Gross Weight	14.6lbs
Product Dimensions	14.2" x 9.8" x 3.9"
Package Dimensions	19.6" x 13.7" x 9.3"
<b>Protections &amp; Standards</b>	
Charging Interface	SAE J1772 Compliant, Type 1 Plug
Safety Compliance	UL2594, UL2231-1/-2, ETL
Multiple Protection	UVP, OVP, RCD(CCID20), SPD, Ground Fault Protection, OCP, OTP, Control Pilot Fault Protection
<b>Environmental</b>	
Operating Temp.	-22°F to 122°F
Relative Humidity	Up to 95% non-condensing
Cable Length	18ft Standard (25ft Optional with Surcharge)

# JNT-EVC11: Level 2 AC EV Charger Pedestal Options



## Schematic Diagram



# Thank you!

[sales@hypercharge.com](mailto:sales@hypercharge.com)

+1 (866) 764-5433



[hypercharge.com](http://hypercharge.com)