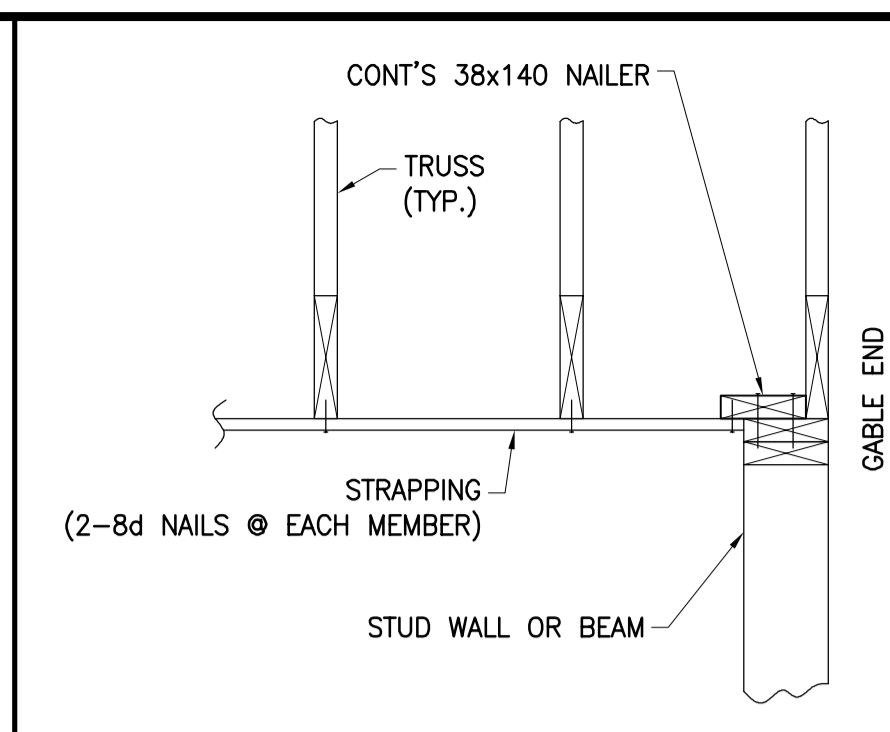
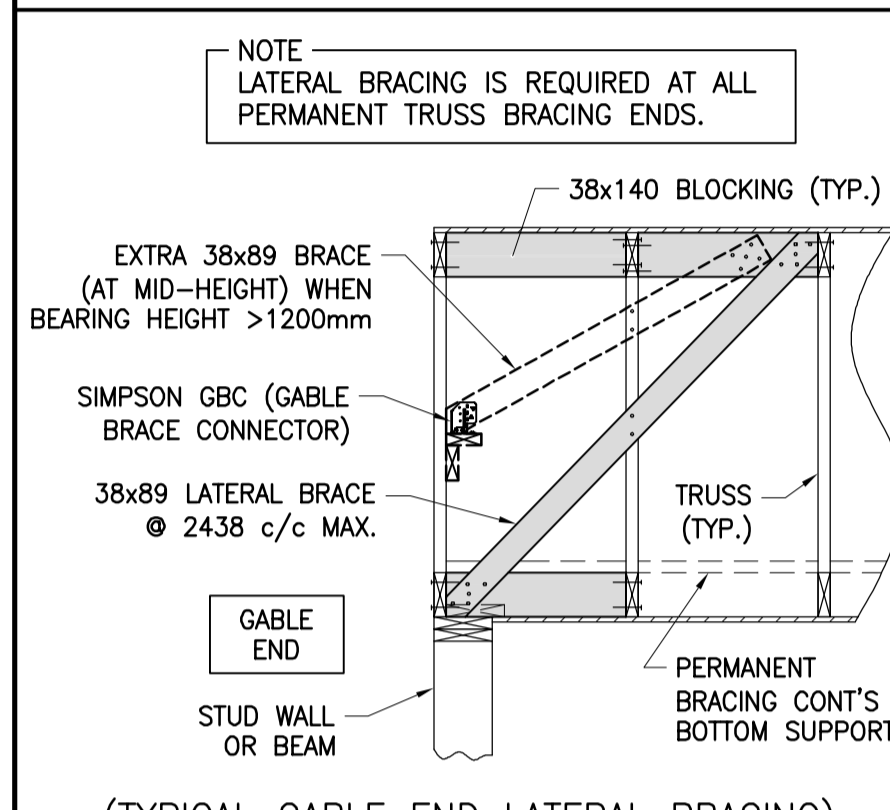


ROOF PLAN
SCALE: 1:75 (NOTE 1)



TYPICAL GABLE END WOOD BLOCKING DETAIL
SCALE: N.T.S.



TRUSS DETAIL No.2
SCALE: N.T.S.

COPYRIGHT PROTECTED:
Copyright for the design and drawings prepared by or on behalf of the Architect belong to the Architect. These drawings and specifications are instruments of the Architect's service and shall remain the property of the Architect.
Submissions or distribution of the aforementioned to meet official regulatory requirements or for other purposes in connection with the Project is not to be construed as publication in derogation of the Architect's reserved rights.
Except for reference purposes, the drawings and specifications shall not be used for additions or alterations to the Project or on any other project.

GENERAL NOTES

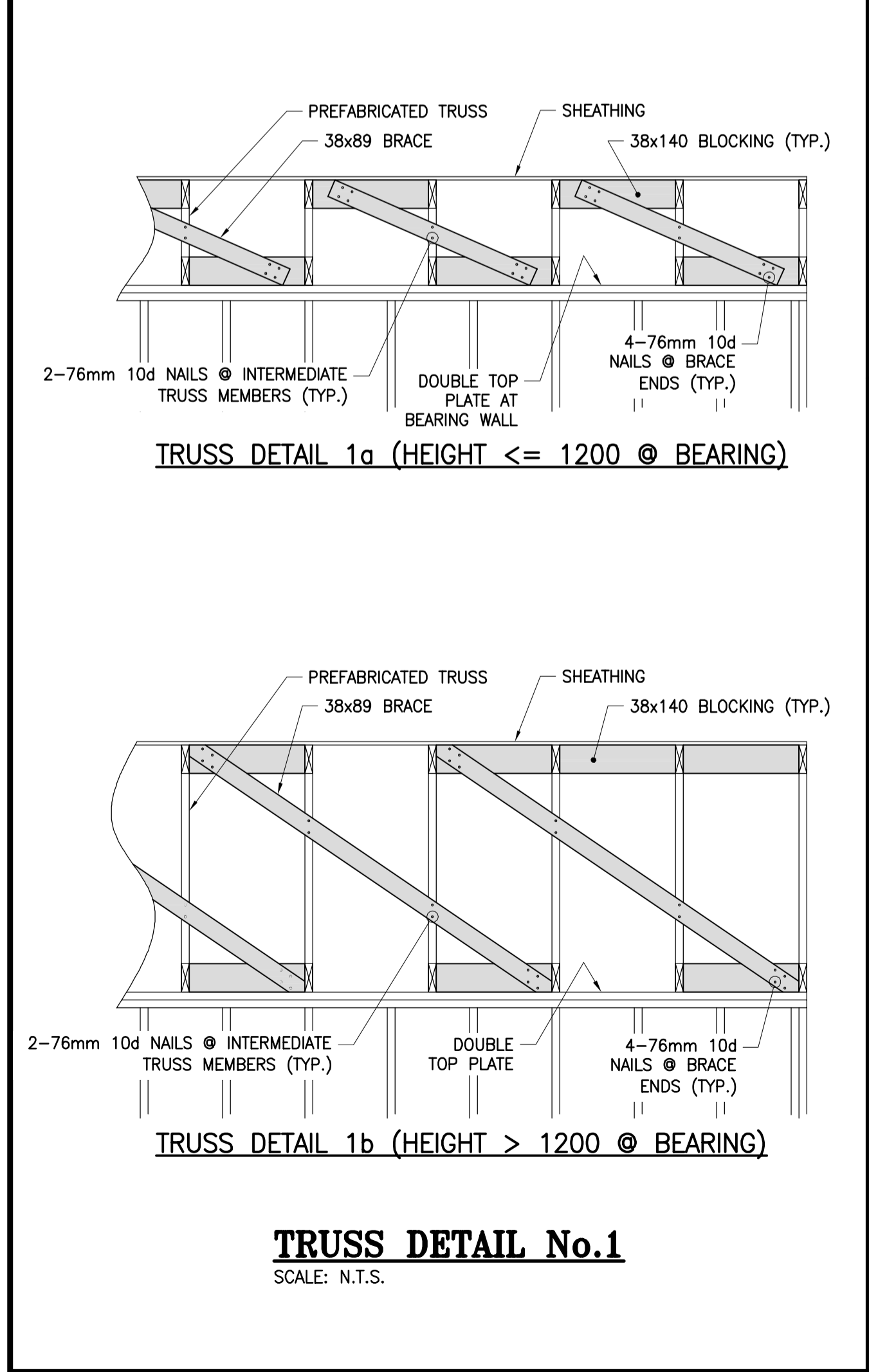
- REFER TO ARCH. FOR ALL ELEVATIONS AND SLOPE OF ROOFS.
- TRUSS TO TRUSS CONNECTIONS BY TRUSS MANUFACTURER.

SPECIFIC NOTES

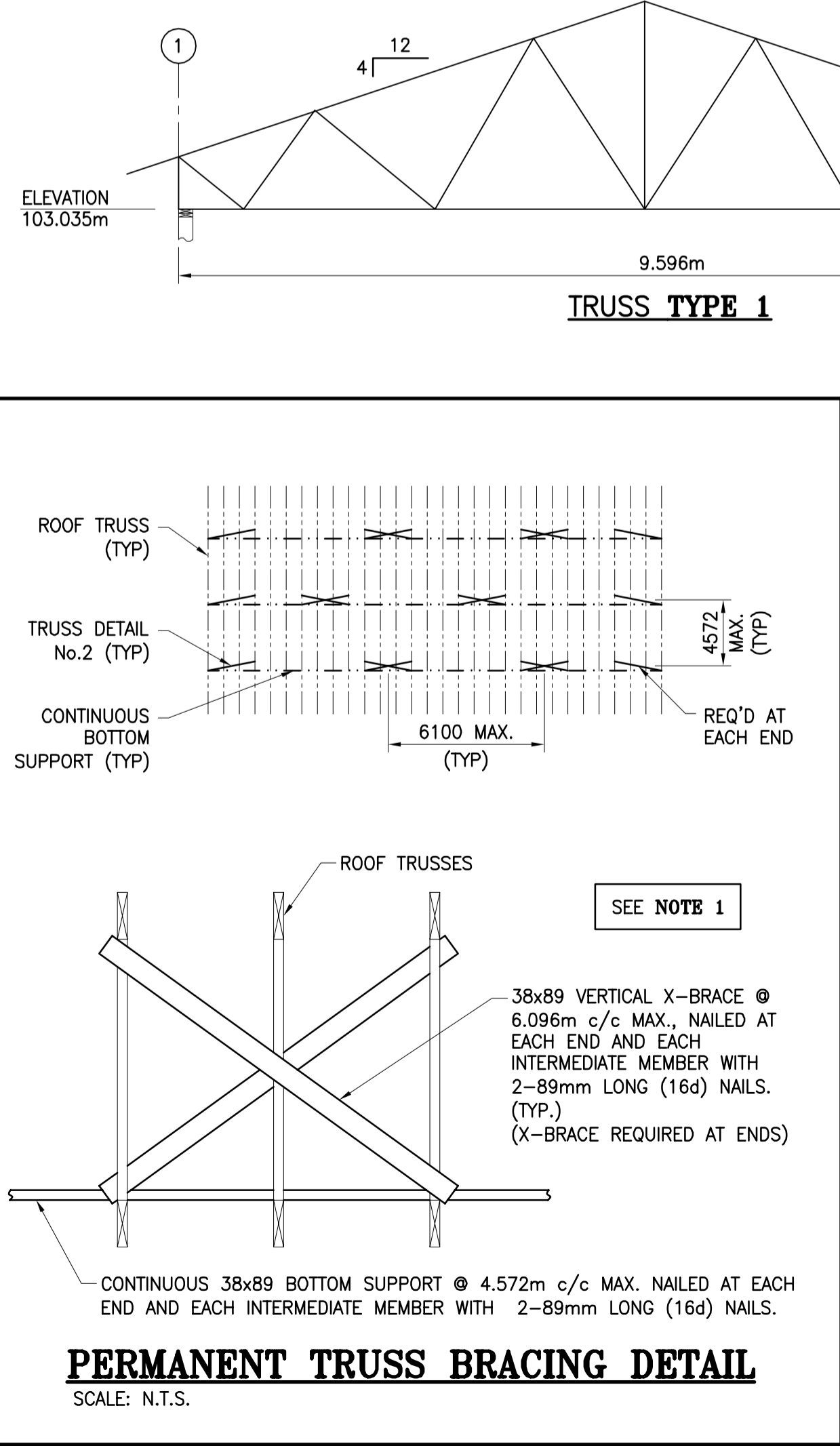
1. TEMPORARY SHORING DURING ERECTION SHALL BE THE CONTRACTOR'S RESPONSIBILITY AND IS NOT REPLACED BY PERMANENT BRACING.
2. REMOVE ROOF FINISH ROOFING TO INSTALL NEW VALLEY TRUSSES ON EXISTING ROOF SHEATHING.
3. REFER TO ARCH. FOR TRUSS HEELS AND OVERHANGS DIMENSIONS.
4. PROVIDE LATERAL SUPPORT TO DOOR TRACK USING 45° BRACES (SEE ARCH. FOR TRACK DETAILS AND LOCATION)

NO.	REVISION	DATE
0	ISSUED FOR TENDER	2022/03/04

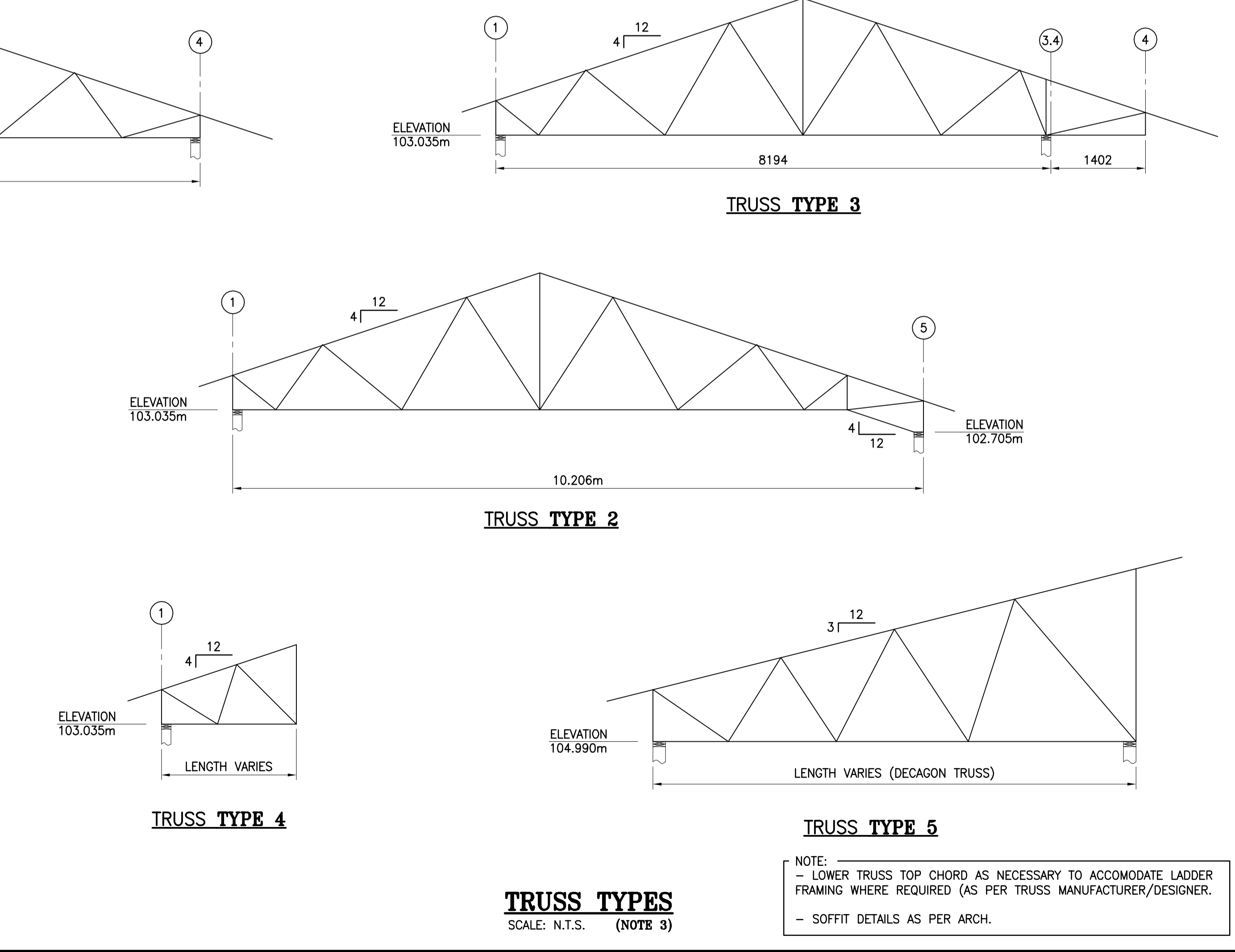
A	DETAIL NUMBER
B	REFERENCE DWG. NO.



TRUSS DETAIL No.1
SCALE: N.T.S.

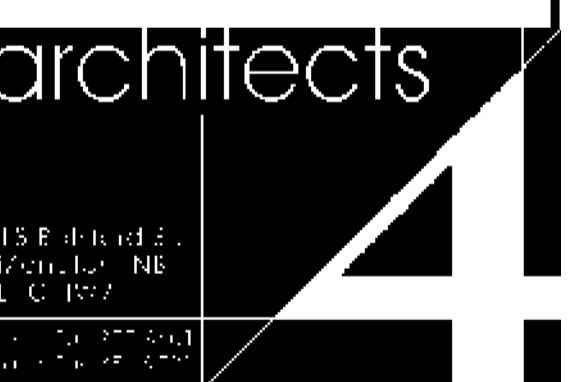


PERMANENT TRUSS BRACING DETAIL
SCALE: N.T.S.



TRUSS TYPES
SCALE: N.T.S. (NOTE 3)

TRUSS TYPE 5
NOTE:
- LOWER TRUSS TOP CHORD AS NECESSARY TO ACCOMMODATE LADDER FRAMING WHERE REQUIRED (AS PER TRUSS MANUFACTURER/DESIGNER).
- SOFFIT DETAILS AS PER ARCH.



TCFSA Administration Building Addition
Tobique First Nation, NB

- STRUCTURAL -
ROOF PLAN & DETAILS

SCALE: AS SHOWN
October, 2021

PLOT DATE: 2022-03-04