

# PARTS LIST

MODEL  
**540**



# ZAMBONI®

## ZAMBONI USA

Frank J. Zamboni & Co., Inc.  
15714 Colorado Ave, Paramount CA 90723 U.S.A.  
Phone: 562.633.0751 Fax: 562.633.9365

## ZAMBONI CANADA

Zamboni Company Ltd.  
38 Morton Ave. East., Box 1388, Brantford Ontario, N3T 5T6 Canada  
Phone: 519.758.5000 Fax: 519.758.0500

---

## IMPORTANT SAFETY NOTICE

In addition to following proper operational procedures, periodic lubrication and maintenance is important for the safe and reliable performance of your Zamboni ice resurfacing machine.

Improper operation, improper maintenance or lack of maintenance of this machine is dangerous and could result in injury or death.

Read, understand and observe all safety precautions, warnings and labels described in this machine's Operating Instructions before performing lubrication or maintenance and prior to operating this machine.

These warnings in the manuals and on the machine are identified by the symbol:

### DANGER



Operations that may cause product damage are identified on the product and in this publication. Zamboni cannot anticipate every possible circumstance that might involve potential hazard.

### DANGER



Do not operate or perform maintenance on this machine unless you have read and understood the machine's Operating Instructions. Improper machine operation and maintenance is dangerous and could result in injury or death. Contact Zamboni for free replacement manuals. Proper operation and maintenance is your responsibility.

---

This Parts List is applicable to all Zamboni Model 540 ice resurfacers (beginning with serial number 7584) and includes identification of optional equipment not present on all machines.

The right column of the Parts List indicates the serial number range of the machines for which a given part is applicable. Items which are listed without an index number are usually closely related to the preceding indexed item and in most cases identify a fastener used with that indexed item.

### WHEN ORDERING REPLACEMENT PARTS, PLEASE SUPPLY THE FOLLOWING:

- Part Number (please use the new part number if old and new are listed)
- Description
- Quantity required
- Model number and serial number of your machine
- Shipping instructions (air, surface, parcel post)

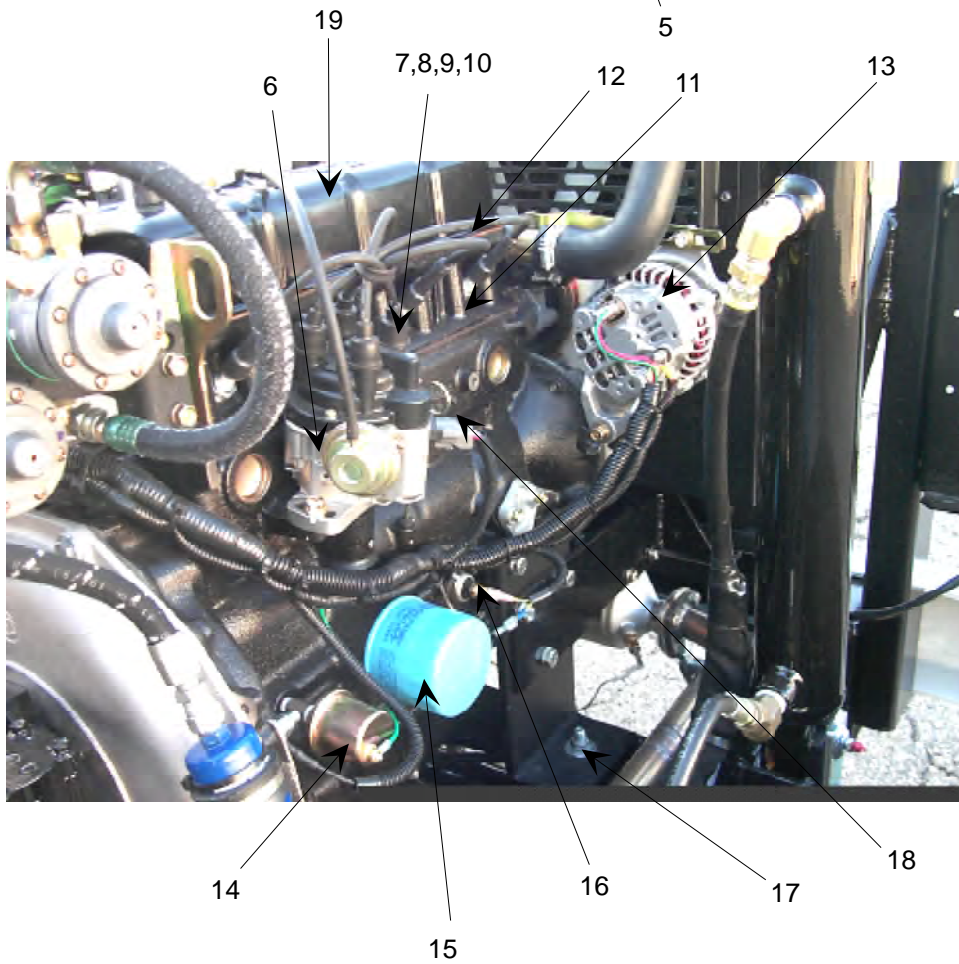
For a list of the most current publications or if you have any questions regarding the correct part number for your machine, please contact our customer service department:

Frank J Zamboni & Co., Inc.  
15714 Colorado Avenue  
Paramount CA 90723 U.S.A.  
Phone: 562.633.0751  
Fax: 562.633.9365

**ZAMBONI®**  
**MODEL 540 PARTS LIST**  
**CONTENTS**

<u>GROUP</u>	<u>DESCRIPTION</u>
1.010	ENGINE
1.020	ENGINE COOLING
1.021	ENGINE EXHAUST SYSTEM
1.030	ENGINE FUEL SYSTEM - LPG
1.040	ENGINE FUEL SYSTEM - GAS
1.050	POWER TRAIN
1.060	TRANSFER CASE
2.000	ELECTRICAL SYSTEM
3.010	AXLES, DRIVE SHAFTS, WHEELS, TIRES, & SUSPENSION
3.020	FRONT AXLE
3.030	REAR AXLE
4.010	HYDROSTAT CONTROL
4.020	STEERING SYSTEM
4.030	BRAKING SYSTEM
5.010	INSTRUCTION PLATES & NAMEPLATES
5.020	BODY PANELS
6.010	VERTICAL CONVEYOR
7.010	HYDROSTATIC DRIVE SYSTEM
7.020	HYDRAULIC SYSTEM
7.030	HYDRAULIC ACCESSORY PUMP
7.040	CHECK VALVE MANIFOLD AND HAND PUMP
7.050	HYDRAULIC OIL TANK
7.060	HYDRAULIC CONTROL VALVES
8.010	SNOW TANK
9.010	ICE MAKING WATER TANK
9.020	WASH WATER TANKS W/O WASH WATER TRANSFER SYSTEM
10.010	OPERATOR'S AREA
11.010	ICE CONDITIONER
11.020	CONDITIONER LIFT
12.010	BOARD BRUSH
13.010	ZAMBONI EDGER ATTACHMENT

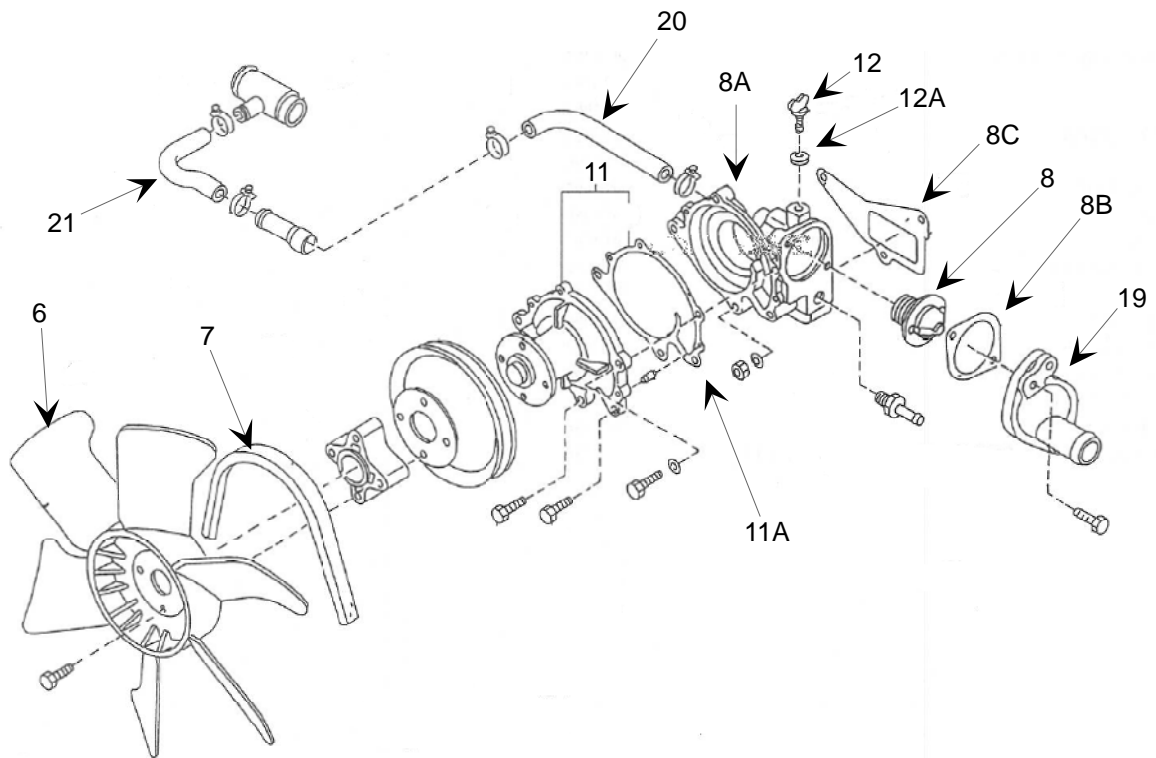
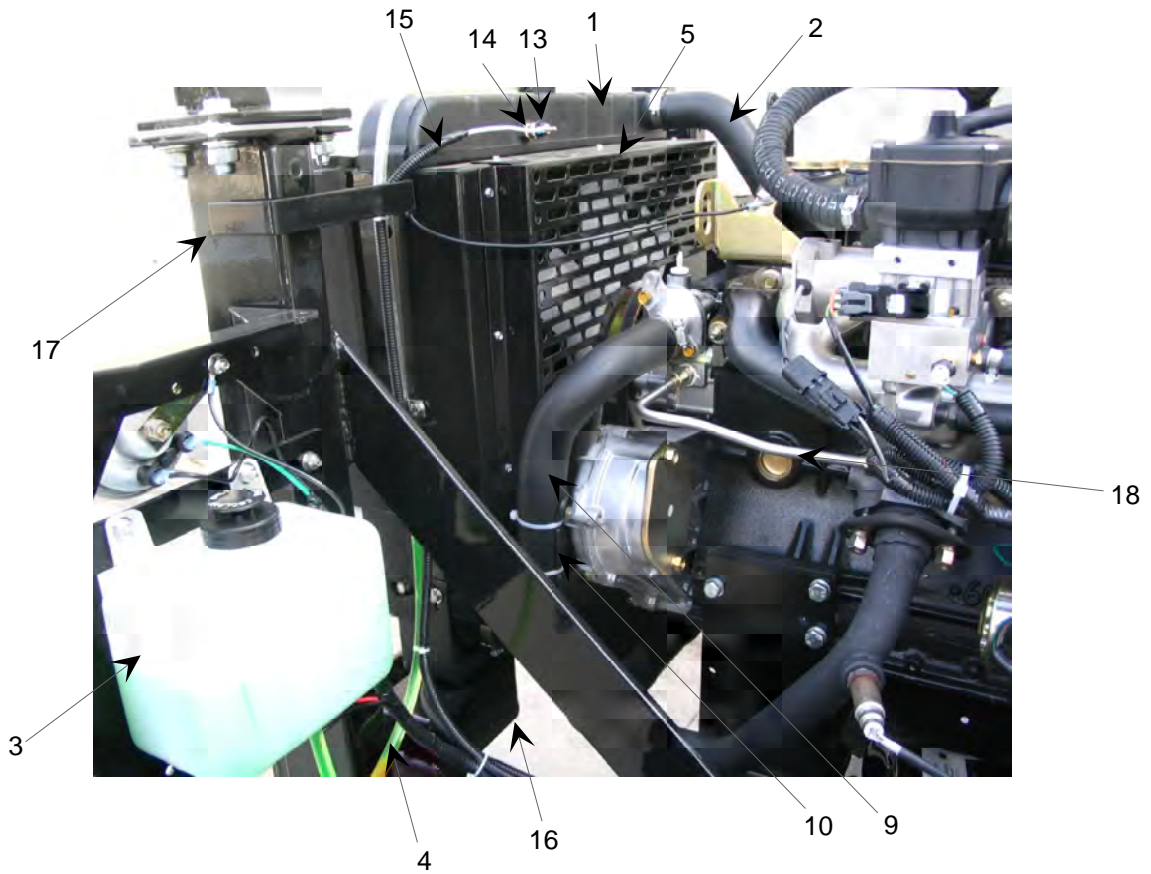
**GROUP 1.010 ENGINE**



**GROUP 1.010 ENGINE**

IND	PART NO	COMMON to 500	DESCRIPTION	QTY	SERIAL NO
1	3A-05115	N	ENGINE, 2.5L H25,	1	7584 -
	3A-05116	N	LONG BLOCK, ENGINE, 2.5L	1	7584 -
2	RH-9064A	N	HOSE, COOLANT, 2 X 16	1	7584 -
3	3R-0525A	N	AIR CLEANER CANISTER ASSY.	1	7584 -
4	3R-0525B	N	AIR FILTER ELEMENT	1	7584 -
5	3E-05550	N	STARTER MOTOR W/ SOLENOID	1	7584 -
	3E-0555S	N	SOLENOID, STARTER MOTOR	1	7584 -
6	3E-05250	N	DISTRIBUTOR ASSY.	1	7584 -
7	3E-0525A	N	DISTRIBUTOR CAP	1	7584 -
8	3E-0525B	N	DISTRIBUTOR ROTOR HEAD	1	7584 -
9	3E-0525C	N	DISTRIBUTOR COVER	1	7584 -
10	3E-0540A	N	DISTRIBUTOR PICK UP KIT	1	7584 -
	3E-0540B	N	CONNECTOR ASSY, DISTRIBUTOR	1	7584 -
	3E-0540C	N	IGNITION UNIT, DISTRIBUTOR	1	7584 -
11	3E-0535A	N	SPARK PLUG	4	7584 -
12	3E-05450	N	SPARK PLUG WIRES, SET	1	7584 -
13	3E-1525A	N	ALTERNATOR, 50 AMP SERVICE	1	7584 -
14	7K-50060	N	SENDING UNIT, OIL PRESSURE	1	7584 -
15	3R-0535A	N	OIL FILTER, ORIGINAL EQUIPMENT, NISSAN	1	7584 -
	3R-0535B	N	OIL FILTER, MANN FILTER	1	7584 -
	3R-0535C	N	OIL FILTER, UNION FILTER (JAPAN)	1	7584 -
16	3L-0400N	N	SWITCH, LOW OIL PRESSURE	1	7584 -
17	3M-17710	Y	ISOLATOR, ENGINE	4	7584 -
	HA-13018	Y	SCREW, HEX HEAD, 7/16-20 X 2½	4	7584 -
	HA-12860	Y	WASHER, FLAT, 7/16	4	7584 -
	HD-12862	Y	WASHER, SPLIT LOCK, 7/16	4	7584 -
	HA-13981	Y	LOCKNUT, 7/16-20	4	7584 -
18	3L-0540A	N	DIPSTICK, ENGINE OIL, NISSAN H25	1	7584 -
19	3A-0525V	N	VALVE COVER, H25 NISSAN	1	7584 -
N/S	3L-0540B	N	WASHER, OIL DRAIN PLUG, H25	1	7584 -
N/S	3L-0540C	N	CAP, OIL FILLER, NISSAN H25	1	7584 -
N/S	3A-0525C	N	CYLINDER HEAD, 2.5L H25	1	7584 -
N/S	3A-0525D	N	CYLINDER HEAD, REBUILT, 2.5L H25	1	7584 -
N/S	3B-0525A	N	BOLT, CYL HEAD, NISSAN H25	10	7584 -
N/S	3B-05256	N	INTAKE VALVE, NISSAN H25	4	7584 -
N/S	3B-05257	N	EXHAUST VALVE, NISSAN H25	4	7584 -
N/S	3B-05255	N	VALVE SEAL, NISSAN H25	8	7584 -
N/S	3B-0525G	N	RING GEAR, ENGINE FLYWHEEL, H25 NISSAN	1	7584 -
N/S	3D-05400	N	EXHAUST MANIFOLD, NISSAN 2.5L	1	7584 -
N/S	3D-0525B	N	GASKET, INTAKE & EXHAUST MANIFOLD	1	7584 -
N/S	2D-0525A	N	GASKET, HEAD	1	7584 -
N/S	2D-0525B	N	GASKET, VALVE COVER	1	7584 -
N/S	3D-0505D	N	STUD, INTAKE/EXHAUST MANIFOLD, H25	6	7584 -
N/S	3D-0505E	N	NUT, INTAKE/EXHAUST MANIFOLD, H25	6	7584 -
N/S	3D-0505F	N	WASHER, INTAKE/EXHAUST MANIFOLD, H25	4	7584 -
N/S	3D-0505G	N	WASHER, EXHAUST MANIFOLD, H25	2	7584 -
N/S	3D-0505H	N	BOLT, EXHAUST MANIFOLD, H25	2	7584 -
N/S	3D-0505M	N	NUT, WALVE COVER, H25	2	7584 -
N/S	3D-0505J	N	WASHER, VALVE COVER, H25	2	7584 -
N/S	3D-0505K	N	CONNECTOR, WATER, H25	1	7584 -
N/S	3D-0505L	N	STUD, VALVE COVER, H25	2	7584 -

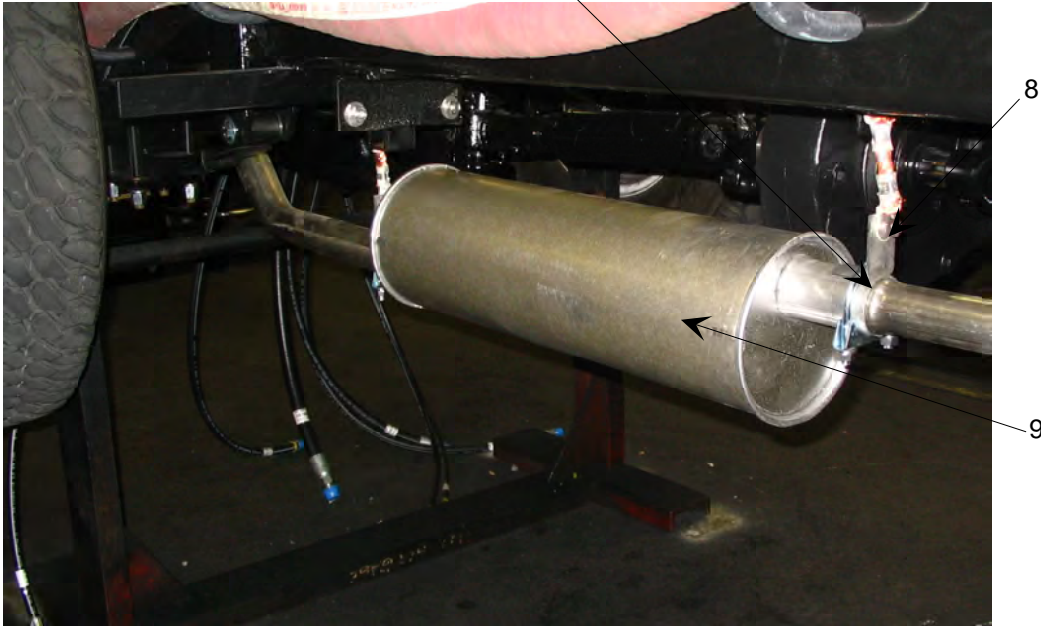
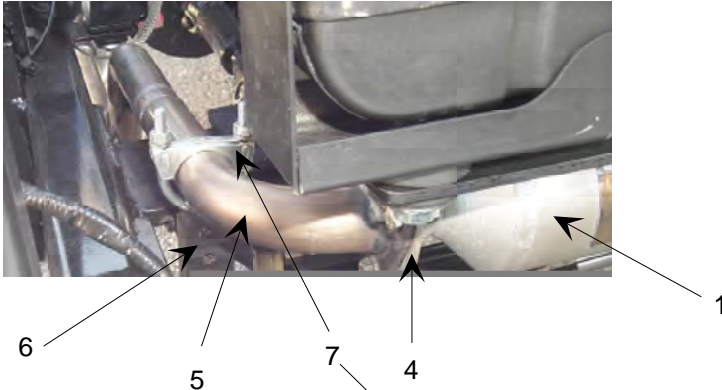
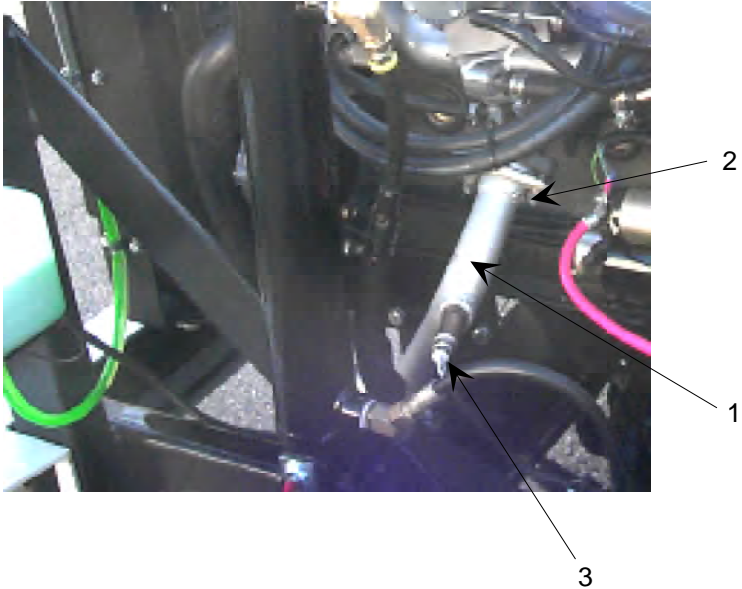
**GROUP 1.020 ENGINE COOLING**



**GROUP 1.020 ENGINE COOLING**

IND	PART NO	COMMON to 500	DESCRIPTION	QTY	SERIAL NO
1	3C-05400	N	RADIATOR W/ CAP	1	7584 -
	3C-0540E	N	RADIATOR, REBUILD	1	7584 -
	3C-0540F	N	RADIATOR CAP	1	7584 -
2	26-0526D	N	HOSE, UPPER RADIATOR	1	7584 -
3	3C-0541B	N	BOTTLE, OVERFLOW	1	7584 -
4	RH-2088A	N	HOSE, OVERFLOW	1	7584 -
5	49-75250	N	GUARD, FAN	1	7584 -
6	3C-0525C	N	FAN	1	7584 -
7	42-05250	N	BELT, FAN & ALTERNATOR	1	7584 -
8	3C-19525	N	THERMOSTAT, 180°F	1	7584 -
8A	3C-1952E	N	HOUSING, THERMOSTAT	1	7584 -
8B	3C-1952A	N	GASKET, THERMOSTAT OUTLET	1	7584 -
8C	3C-1952G	N	GASKET, THERMOSTAT HOUSING	1	7584 -
9	26-0526C	N	HOSE, LOWER RADIATOR	1	7584 -
10	5P-05250	N	RUBBER GUARD, COOLANT HOSES	2	7584 -
11	2P-05250	N	WATER PUMP,	1	7584 -
11A	SP-0252A	N	GASKET, WATER PUMP	1	7584 -
12	3C-1952B	N	DRAIN COCK, WATER PUMP, NISSAN H25	1	7584 -
12A	3C-1952C	N	GASKET, DRAIN COCK	1	7584 -
13	3H-0560L	N	SENSOR, COOLANT	1	8328 -
	7K-50540	N	RADIATOR SIGHT GAUGE	1	8015 - 8327
N/S	3H-0560M	N	MODULE, COOLANT LEVEL DETECTOR	1	8328 -
14	F1-05400	N	BUSHING, 1/8 NPT TO 1/4 NPT	1	8328 -
15	75-05400	N	LOOM, LOW COOLANT ALARM	1	8328 -
16	3C-0540G	N	RADIATOR ISOLATION BRACKET	1	8328 -
N/S	3M-17715	N	ISOLATOR, RADIATOR	2	7584 -
17	5T-52520	N	ISOLATOR BRACKET, TOP LEFT	1	8328 -
N/S	5T-52530	N	ISOLATOR BRACKET, TOP RIGHT	1	8328 -
18	3C-54000	N	TUBE, COOLANT, WATER PUMP/MANIFOLD	1	7584 -
19	3C-1952D	N	OUTLET, COOLANT, FLANGE W/PORT, H25	1	7584 -
20	26-0526F	N	HOSE, COOLANT, THERMOSTAT	1	7584 -
21	26-0526E	N	HOSE, COOLANT BYPASS	1	7584 -
	KZ-00541	N	KIT, COOLANT SENSOR	1	7584 -
	KZ-00542	N	KIT, RADIATOR ISOLATION MOUNT, 540	1	7584 -

**GROUP 1.021 ENGINE EXHAUST SYSTEM**

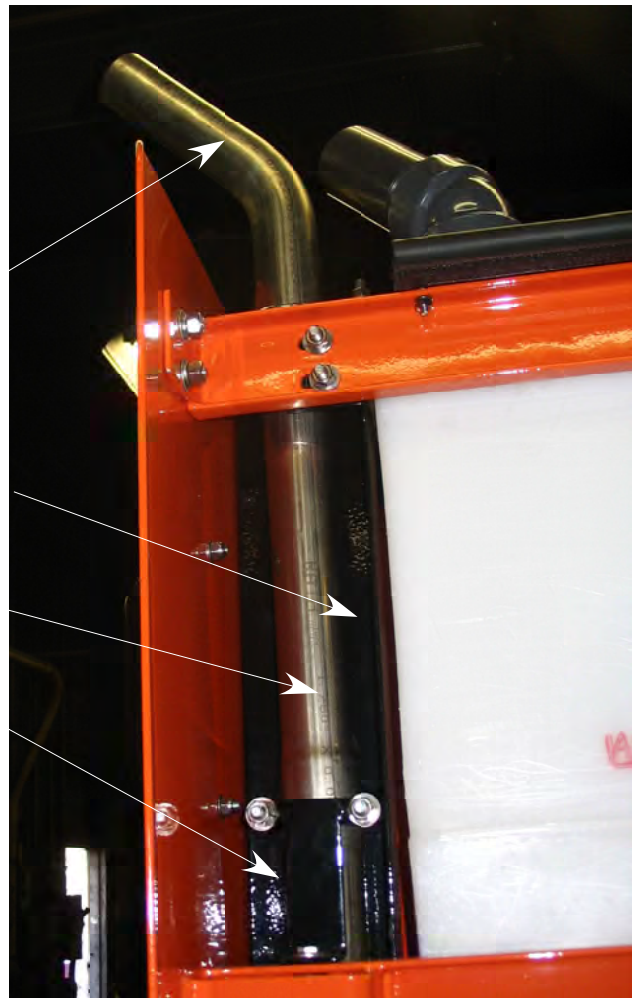




**GROUP 1.021 ENGINE EXHAUST SYSTEM**

IND	PART NO	COMMON to 500	DESCRIPTION	QTY	SERIAL NO
1	3D-0505A	N	EXHAUST PIPE MAIN W/CATALYTIC CONVERTER	1	7584 -
N/S	49-0525A	N	HEAT SHIELD, FAN BELT	1	7584 - 8338
2	HM-13980	N	HEX NUT, M8 X 1.25	2	7584 -
	3D-0505D	N	STUD, INTAKE/EXHAUST MANIFOLD, H25	6	7584 -
	3D-0505E	N	NUT, INTAKE/EXHAUST MANIFOLD, H25	6	7584 -
3	3H-0550L	N	OXYGEN SENSOR	1	7584 -
4	2D-17950	Y	GASKET, EXHAUST	1	7584 -
	HA-08013	N	SCREW, HEX HEAD, 5/16-18 X 1¼	3	7584 -
	HA-08862	N	WASHER, LOCK, 5/16	3	7584 -
	HA-08980	N	NUT, HEX, 5/16-18	3	7584 -
5	3D-0505B	N	EXHAUST PIPE, INTERMEDIATE	1	7584 -
6	3D-4028B	N	EXHAUST HANGER, FLEXIBLE	1	7584 -
7	27-31540	N	CLAMP, MUFFLER, 1 3/4	3	7584 -
8	3D-4028C	N	HANGER, EXHAUST PIPE, COPPER	2	7584 -
9	3D-17920	Y	MUFFLER	1	7584 -
10	KZ-4028A	N	KIT, EXHAUST HANGER RETROFIT	1	7584 - 7995
	5T-23041	N	BRACKET, EXHAUST HANGER, REAR	1	7995 -
11	3D-18050	Y	TAIL PIPE	1	7584 -
12	5T-23030	Y	BRACKET, EXHAUST PIPE	1	7584 -
13	5T-23011	Y	BRACKET, EXHAUST HEAT SHIELD	1	7584 -
14	3D-18080	Y	EXHAUST PIPE	1	7584 -

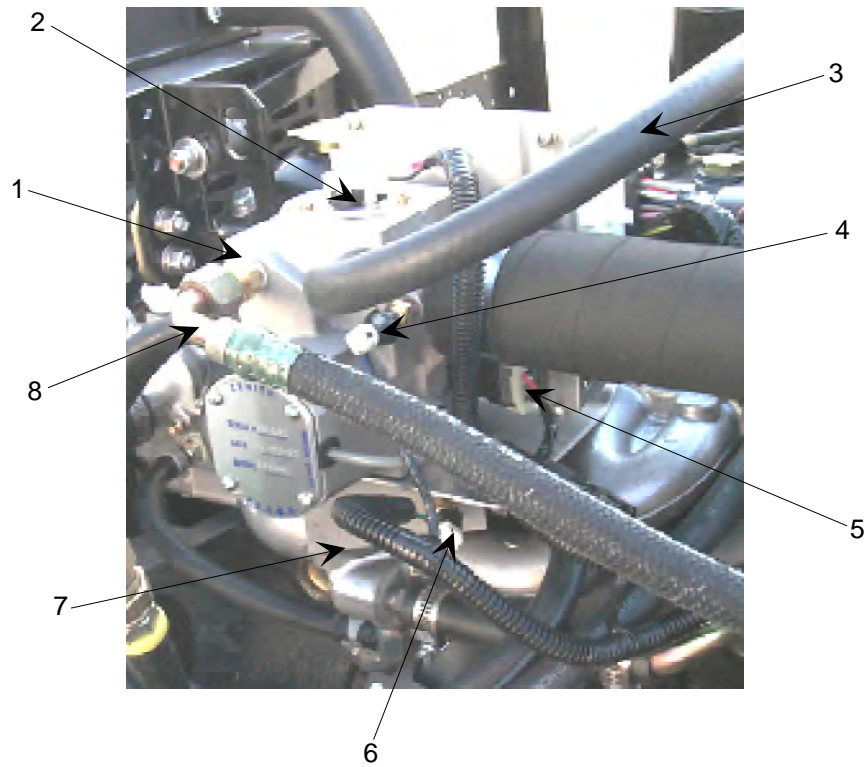
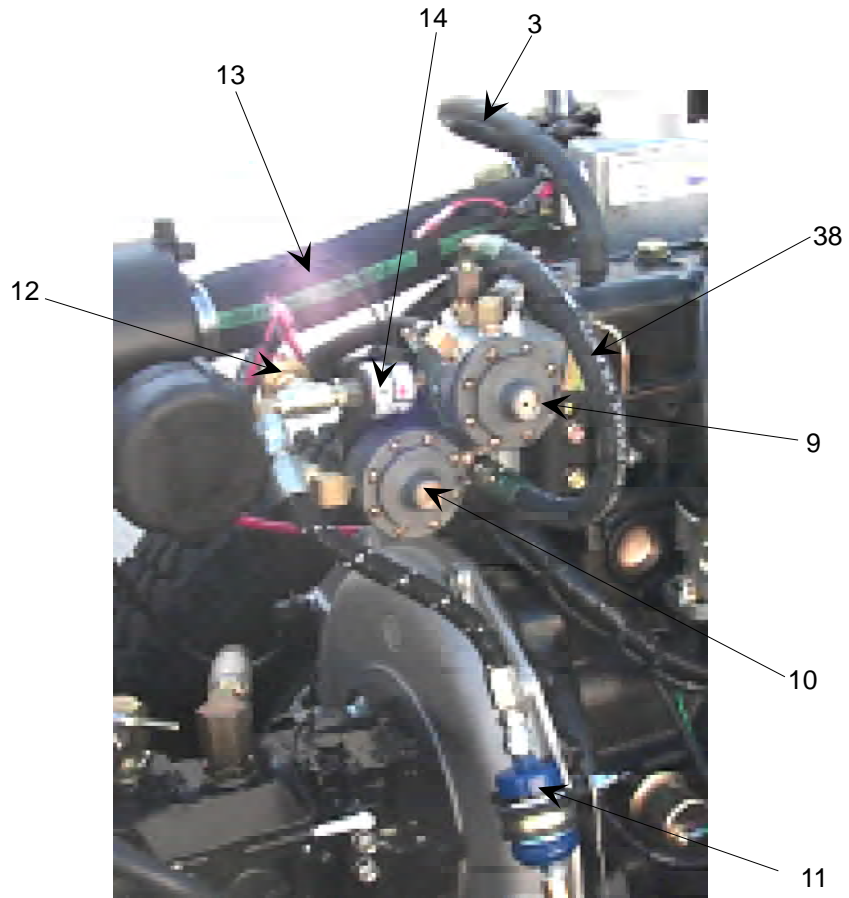
**GROUP 1.021 ENGINE EXHAUST SYSTEM**



**GROUP 1.021 ENGINE EXHAUST SYSTEM**

IND	PART NO	COMMON to 500	DESCRIPTION	QTY	SERIAL NO
1	3D-0505A	N	EXHAUST PIPE MAIN W/CATALYTIC CONVERTER	1	7584 -
N/S	49-0525A	N	HEAT SHIELD, FAN BELT	1	7584 - 8338
N/S	FL-1812A	Y	PLUG, SQ HD, BRASS, 3/8 NPT	1	7584 -
2	HM-13980	N	HEX NUT, M8 X 1.25	2	7584 -
3	3H-0550L	N	OXYGEN SENSOR	1	7584 -
4	2D-17950	Y	GASKET, EXHAUST	1	7584 -
	HA-08013	N	SCREW, HEX HEAD, 5/16-18 X 1¼	3	7584 -
	HA-08862	N	WASHER, LOCK, 5/16	3	7584 -
	HA-08980	N	NUT, HEX, 5/16-18	3	7584 -
5	3D-0505B	N	EXHAUST PIPE, INTERMEDIATE	1	7584 -
6	3D-4028B	N	EXHAUST HANGER, FLEXIBLE	1	7584 -
7	27-31540	N	CLAMP, MUFFLER, 1 3/4	3	7584 -
8	3D-4028C	N	HANGER, EXHAUST PIPE, COPPER	2	7584 -
9	3D-17920	Y	MUFFLER	1	7584 -
10	KZ-4028A	N	KIT, EXHAUST HANGER RETROFIT	1	7584 - 7995
	5T-23041	N	BRACKET, EXHAUST HANGER, REAR	1	7995 -
11	3D-18050	Y	TAIL PIPE	1	7584 -
12	5T-23030	Y	BRACKET, EXHAUST PIPE	1	7584 -
13	5T-23011	Y	BRACKET, EXHAUST HEAT SHIELD	1	7584 -
14	3D-18080	Y	EXHAUST PIPE	1	7584 -
15	3D-18070	Y	INTERMEDIATE EXHAUST PIPE	1	7584 -
N/S	3D-18060	Y	FLEX SEGMENT EXHAUST PIPE	1	7584 -

**GROUP 1.030 ENGINE FUEL SYSTEM - LPG**  
**[ZEEMS-1]**



**GROUP 1.030 ENGINE FUEL SYSTEM - LPG - [ZEEMS-1]**

IND	PART NO	COMMON to 500	DESCRIPTION	QTY	SERIAL NO
1	3F-0525L	N	LPG E.F.I. ASSEMBLY	1	7584 -
2	3F-8526L	N	LPG ELECTRONIC FUEL INJECTOR	1	7584 -
3	3F-0560H	N	HOSE, CRANKCASE BREATHER	1	7584 -
4	3H-0545L	N	SENSOR, AIR TEMPERATURE	1	7584 -
5	3H-0540L	N	SENSOR, MAP	1	7584 -
6	3H-0555L	N	SENSOR, ENGINE COOLANT TEMPERATURE	1	7584 -
7	3F-0540L	N	GASKET KIT, MANIFOLD TO EFI ASSEMBLY	1	7584 -
8	P4-3104C	N	HOSE, LPG SUPPLY TO EFI ASSEMBLY	1	7584 -
9	3F-72465	N	LPG PRIMARY REGULATOR/VAPORIZER	1	7584 -
10	3F-72460	N	LPG SECONDARY REGULATOR	1	7584 -
11	3R-1525L	N	INLINE FILTER, LPG, VALTEK TYPE 91	1	7584 -
ALT	KZ-1525L	N	KIT, INLINE FILTER, LPG, VALTEK (INCL CLAMP +HW)	1	7584 -
ALT	3R-1546L	N	INLINE FILTER, LPG, PARKER	1	7584 -
N/S	3R-1526C	N	FILTER, COALESCING, LPG	1	7584 -
N/S	3R-1526D	N	FILTER ELEMENT, .01 MICRON	1	7584 -
N/S	3R-1526E	N	FILTER ELEMENT, 1 MICR	1	7584 -
12	7P-0043C	Y	SWITCH, LOW FUEL PRESSURE	1	7584 -
13	RH-9064A	N	HOSE, COOLANT, 2 X 16	1	7584 -
14	3F-72455	N	LPG, LOCK OFF, ELECTRIC	1	7584 -
N/S	75-1852L	N	WIRE HARNESS, ENGINE LOOM, LPG	1	7584 -
	3F-72456	N	KIT, THROTTLE BODY ASSY W/ECU, LP	1	7584 -
	3F-72457	N	KIT, REGULATOR/INJECTOR SERVICE, LP	1	7584 -

**THROTTLE BODY PARTS BREAKDOWN (See 1.030-B)**

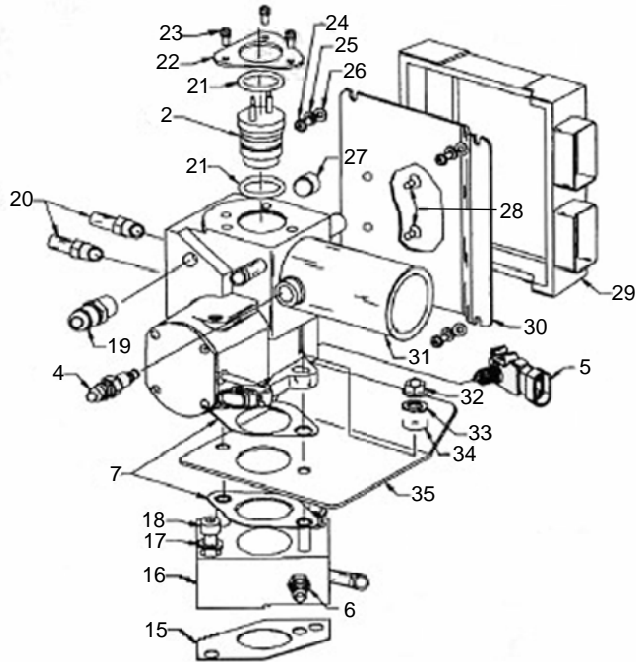
15	3F-0540U	N	GASKET, ADAPTOR, INTAKE MANIFOLD	1	7584 -
16	3F-0545U	N	ADAPTOR BLOCK	1	7584 -
17	HM-13862	N	LOCKWASHER, ADAPTOR BLOCK	2	7584 -
18	HM-13013	N	SOCKET HEAD CAP SCREW, ADAPTOR BLOCK	2	7584 -
19	3F-0534L	N	FITTING, LPG, INLET	1	7584 -
20	3F-0532L	N	FITTING, WATER INLET	2	7584 -
21	3H-0535L	N	O-RING SET, LPG, TOP & BOTTOM	1	7584 -
22	3H-0532L	N	LPG, INJECTOR RETAINER	1	7584 -
23	3H-0533L	N	LPG, RETAINING SCREW, INJECTOR	3	7584 -
24	HF-02507	N	RETAINING SCREW, ECU	4	7584 -
25	HF-02862	N	LOCKWASHER, ECU	4	7584 -
26	HF-02860	N	WASHER, ECU	4	7584 -
27	3F-0520U	N	PIPE PLUG, THROTTLE BODY	1	7584 -
28	HA-04606	N	SCREW, RETAINING, ECU PLATE TO THROTTLE BODY	3	7584 -
29	3H-0525L	N	ELECTRONIC CONTROL UNIT(ECU)	1	7584 -
30	3F-0555U	N	RETAINING PLATE, ECU	1	7584 -
31	3F-0530L	N	LPG, THROTTLE BODY	1	7584 -
32	HF-09981	N	NUT, RETAINING, HEAT SHIELD	2	7584 -
33	HF-08862	N	LOCKWASHER, HEAT SHIELD	2	7584 -
34	HF-08861	N	WASHER, HEAT SHIELD	2	7584 -
35	3F-0550U	N	HEAT SHIELD	1	7584 -

**REGULATOR/VAPORIZER PARTS BREAKDOWN (See 1.030-B)**

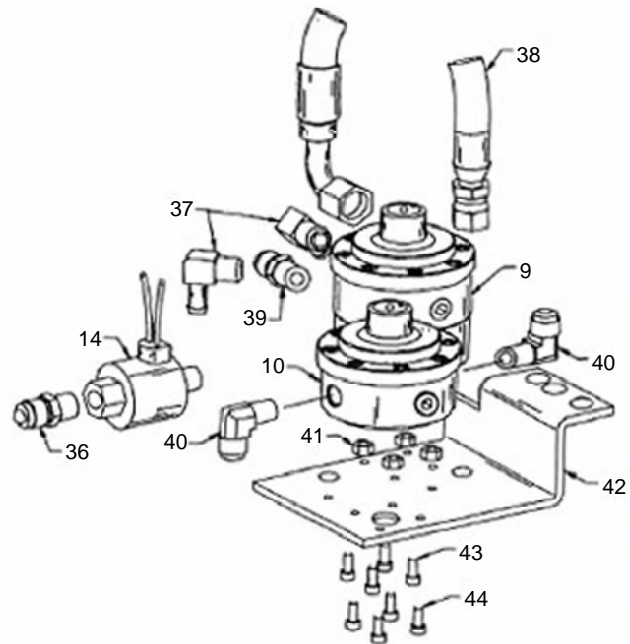
36	F1-65120	N	LPG, MAIN INLET, FITTING	1	7584 -
37	FW-20620	N	LPG, COOLANT, FITTING	2	7584 -
38	P4-3056A	N	LPG, HOSE ASSY., PRIMARY-SECONDARY	1	7584 -
39	F1-65140	N	LPG, REGULATOR FITTING	1	7584 -
40	F2-72120	N	LPG, FITTING, INLET/OUTLET	2	7584 -
41	HA-03010	N	SPACERS, PRIMARY REGULATOR	4	7584 -
42	3F-72468	N	LPG, BRACKET, REGULATORS	1	7584 -
43	HA-03006	N	LPG, RETAINING SCREW, PRIMARY REGULATOR	4	7584 -
44	HA-03005	N	LPG, RETAINING SCREW, SECONDARY REGULATOR	4	7584 -

**GROUP 1.030 ENGINE FUEL SYSTEM-LPG**  
**[ZEEMS-1]**

**THROTTLE BODY**  
**PARTS BREAKDOWN**



**REGULATOR/VAPORIZER**  
**PARTS BREAKDOWN**



**GROUP 1.030 ENGINE FUEL SYSTEM - LPG - [ZEEMS-1]**

IND	PART NO	COMMON		DESCRIPTION	QTY	SERIAL NO
			to 500			
1	3F-0525L	N		LPG E.F.I. ASSEMBLY	1	7584 -
2	3F-8526L	N		LPG ELECTRONIC FUEL INJECTOR	1	7584 -
3	3F-0560H	N		HOSE, CRANKCASE BREATHER	1	7584 -
4	3H-0545L	N		SENSOR, AIR TEMPERATURE	1	7584 -
5	3H-0540L	N		SENSOR, MAP	1	7584 -
6	3H-0555L	N		SENSOR, ENGINE COOLANT TEMPERATURE	1	7584 -
7	3F-0540L	N		GASKET KIT, MANIFOLD TO EFI ASSEMBLY	1	7584 -
8	P4-3104C	N		HOSE, LPG SUPPLY TO EFI ASSEMBLY	1	7584 -
9	3F-72465	N		LPG PRIMARY REGULATOR/VAPORIZER	1	7584 -
10	3F-72460	N		LPG SECONDARY REGULATOR	1	7584 -
11	3R-1525L	N		INLINE FILTER, LPG, VALTEK TYPE 91	1	7584 -
ALT	KZ-1525L	N		KIT, INLINE FILTER, LPG, VALTEK (INCL CLAMP +HW)	1	7584 -
ALT	3R-1546L	N		INLINE FILTER, LPG, PARKER	1	7584 -
N/S	3R-1526C	N		FILTER, COALESCING, LPG	1	7584 -
N/S	3R-1526D	N		FILTER ELEMENT, .01 MICRON	1	7584 -
N/S	3R-1526E	N		FILTER ELEMENT, 1 MICRON	1	7584 -
N/S	3R-1526H	N		DISK NUT, FILTER ELEMENT	1	7584 -
12	7P-0043C	Y		SWITCH, LOW FUEL PRESSURE	1	7584 -
13	RH-9064A	N		HOSE, COOLANT, 2 X 16	1	7584 -
14	3F-72455	N		LPG, LOCK OFF, ELECTRIC	1	7584 -
N/S	75-1852L	N		WIRE HARNESS, ENGINE LOOM, LPG	1	7584 -
	3F-72456	N		KIT, THROTTLE BODY ASSY W/ECU, LP	1	7584 -
	3F-72457	N		KIT, REGULATOR/INJECTOR SERVICE, LP	1	7584 -

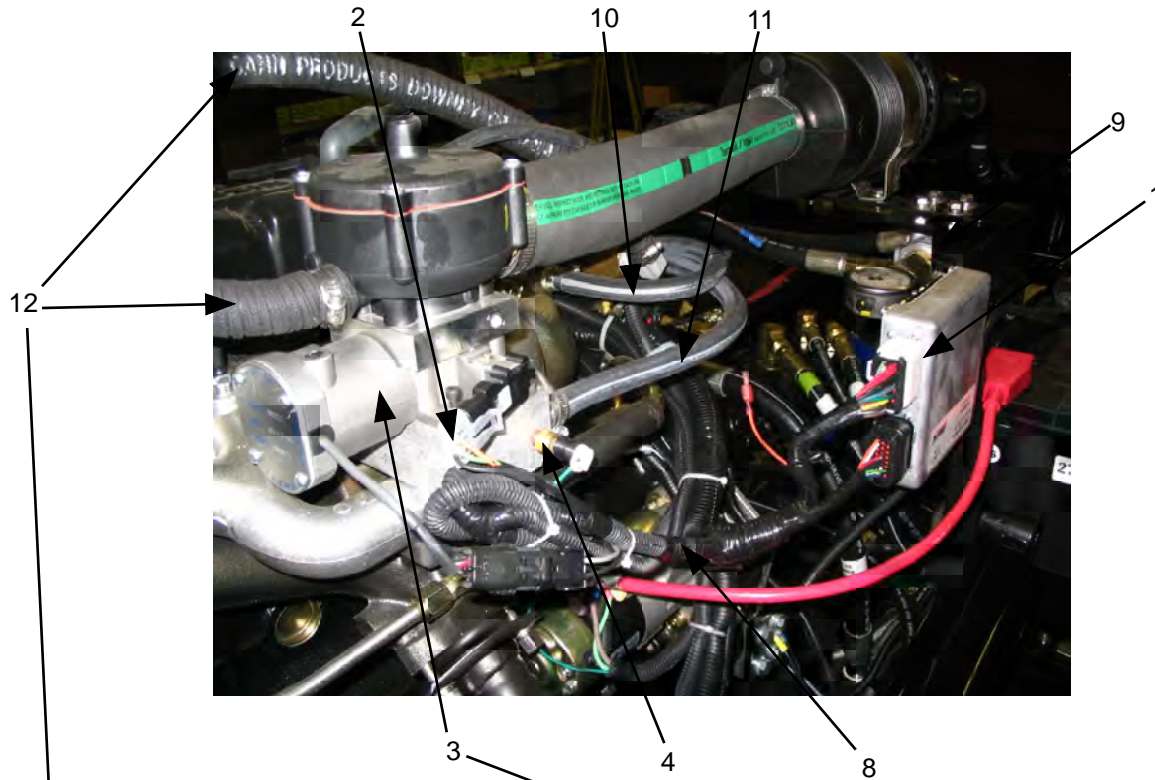
**THROTTLE BODY PARTS BREAKDOWN (See 1.030-B)**

15	3F-0540U	N		GASKET, ADAPTOR, INTAKE MANIFOLD	1	7584 -
16	3F-0545U	N		ADAPTOR BLOCK	1	7584 -
17	HM-13862	N		LOCKWASHER, ADAPTOR BLOCK	2	7584 -
18	HM-13013	N		SOCKET HEAD CAP SCREW, ADAPTOR BLOCK	2	7584 -
19	3F-0534L	N		FITTING, LPG, INLET	1	7584 -
20	3F-0532L	N		FITTING, WATER INLET	2	7584 -
21	3H-0535L	N		O-RING SET, LPG, TOP & BOTTOM	1	7584 -
22	3H-0532L	N		LPG, INJECTOR RETAINER	1	7584 -
23	3H-0533L	N		LPG, RETAINING SCREW, INJECTOR	3	7584 -
24	HF-02507	N		RETAINING SCREW, ECU	4	7584 -
25	HF-02862	N		LOCKWASHER, ECU	4	7584 -
26	HF-02860	N		WASHER, ECU	4	7584 -
27	3F-0520U	N		PIPE PLUG, THROTTLE BODY	1	7584 -
28	HA-04606	N		SCREW, RETAINING, ECU PLATE TO THROTTLE BODY	3	7584 -
29	3H-0525L	N		ELECTRONIC CONTROL UNIT(ECU)	1	7584 -
30	3F-0555U	N		RETAINING PLATE, ECU	1	7584 -
31	3F-0530L	N		LPG, THROTTLE BODY	1	7584 -
32	HF-09981	N		NUT, RETAINING, HEAT SHIELD	2	7584 -
33	HF-08862	N		LOCKWASHER, HEAT SHIELD	2	7584 -
34	HF-08861	N		WASHER, HEAT SHIELD	2	7584 -
35	3F-0550U	N		HEAT SHIELD	1	7584 -

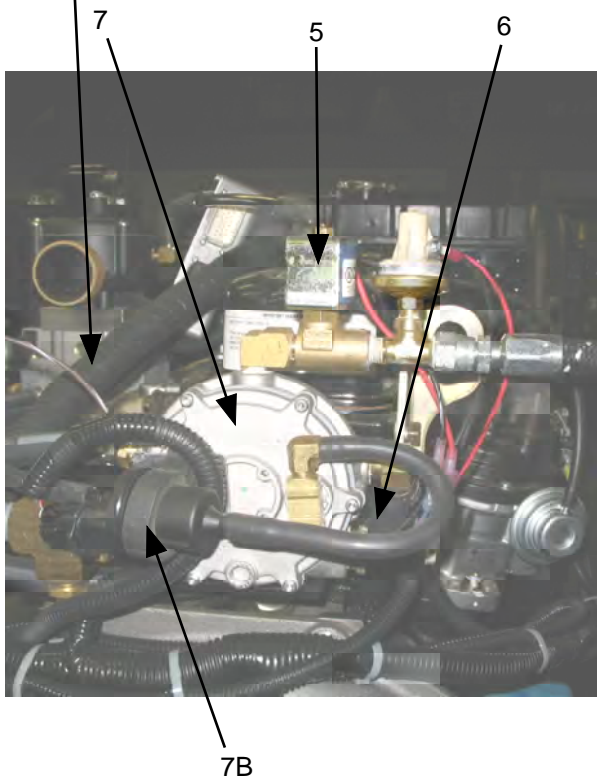
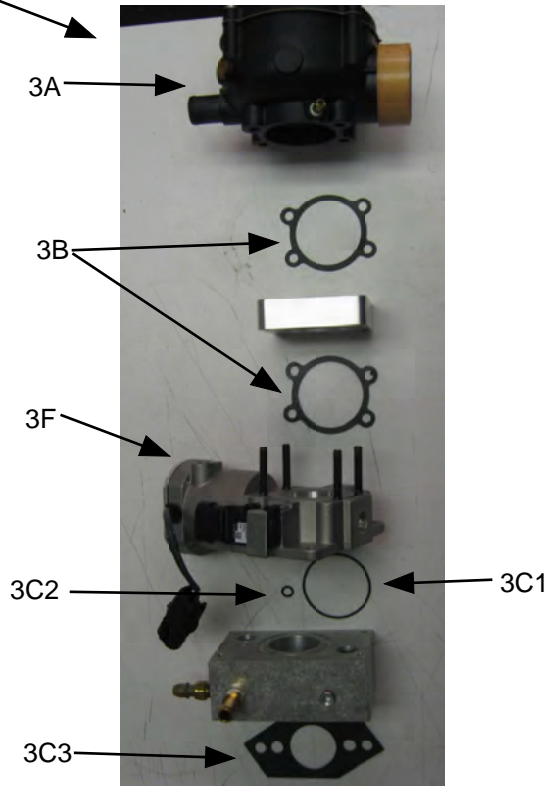
**REGULATOR/VAPORIZER PARTS BREAKDOWN (See 1.030-B)**

36	F1-65120	N		LPG, MAIN INLET, FITTING	1	7584 -
37	FW-20620	N		LPG, COOLANT, FITTING	2	7584 -
38	P4-3056A	N		LPG, HOSE ASSY., PRIMARY-SECONDARY	1	7584 -
39	F1-65140	N		LPG, REGULATOR FITTING	1	7584 -
40	F2-72120	N		LPG, FITTING, INLET/OUTLET	2	7584 -
41	HA-03010	N		SPACERS, PRIMARY REGULATOR	4	7584 -
42	3F-72468	N		LPG, BRACKET, REGULATORS	1	7584 -
43	HA-03006	N		LPG, RETAINING SCREW, PRIMARY REGULATOR	4	7584 -
44	HA-03005	N		LPG, RETAINING SCREW, SECONDARY REGULATOR	4	7584 -

**GROUP 1.030 ENGINE FUEL SYSTEM-LPG**  
**[ZEEMS-2]**



ITEM 3 - EXPLODED VIEW





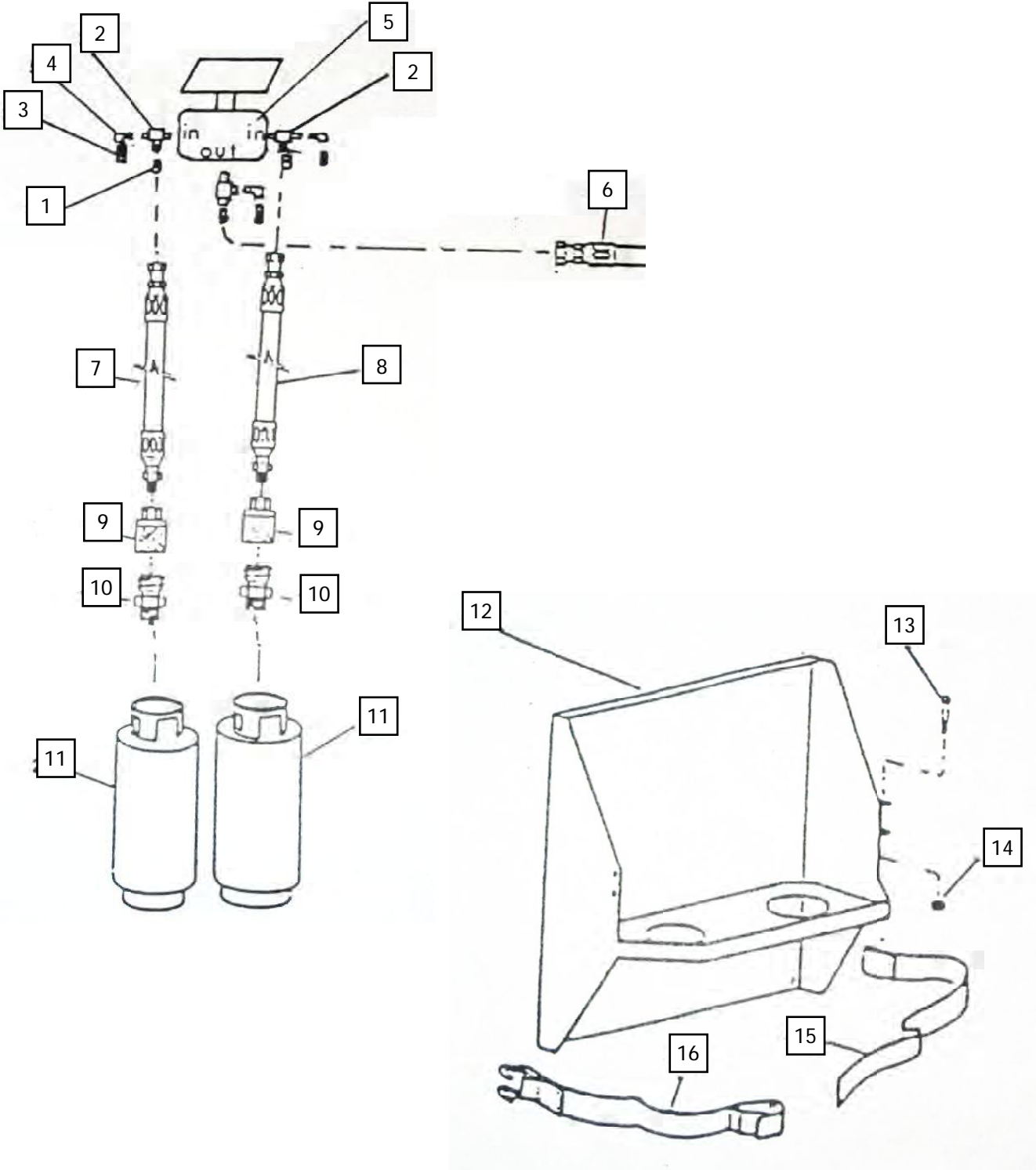
**GROUP 1.030 ENGINE FUEL SYSTEM - LPG - [ZEEMS-2]**

IND	PART NO	COMMON to 500	DESCRIPTION	QTY	SERIAL NO
1	3H-0565L	N	ELECTRONIC CONTROL UNIT (ECU) W/ SCREWS	1	8339 -
2	3H-0540L	N	SENSOR, MAP	1	8339 -
3	INACTIVE	N	INACTIVE	1	8339 -
3A	3F-8527L	N	MIXER ASSEMBLY	1	8339 -
3B	2D-0540A	N	GASKET, THROTTLE BODY/MIXER, ZEEMS 2	2	8339 -
3C1*	2D-0540B	N	KIT, GASKET/O-RING, ZEEMS II GOVERNOR (GASKET KIT CONTAINS 3C, 3C2 & 3C3)	1	8339 -
3C2*		N	O-RING, THROTTLE BODY, 1/2"	1	8339 -
3C3*		N	GASKET ADAPTOR, MANIFOLD TO EFI, 540	1	8339 -
3F	3F-0545L	N	GOVERNOR/THROTTLEBODY ASSY, ZEEMS 2	1	8339 -
4	3H-0555L	N	SENSOR, COOLANT TEMPERATURE	1	8328 -
5	3F-72455	N	LPG, LOCKOFF, ELECTRIC	1	8339 -
6	3H-0555L	N	SENSOR, LP TEMPERATURE	1	8339 -
7	3F-72466	N	VAPORIZER/REGULATOR ASSEMBLY	1	8339 -
N/S	3F-72540	N	LPG CONVERTOR, MIXER, COBRA	1	8339 -
7B	3E-72540	N	VACUUM SOLENOID (A/F RATIO TRIM) VALVE	1	8339 -
N/S	3E-72541	N	ORIFICE VENT, TRIM VACUUM VALVE	1	8339 -
8	75-1853L	N	WIRING HARNESS, ENGINE LOOM, LPG [ZEEMS 2]	1	8339 -
9	5T-0565L	N	BRACKET, ECU MOUNT	1	8358 -
10	RH-1104A	N	HOSE, COOLANT, 26"	1	8358 -
11	RH-1060A	N	HOSE, COOLANT, 15"	1	8358 -
	27-2006A	N	HOSE CLAMP	4	8358 -
12	RL-3010A	N	VAPOR HOSE, 3/4"X2-1/2', ZEEMS 2, 540 LP	1	8358 -
N/S	3H-0550L	N	SENSOR, OXYGEN	1	8339 -
N/S	3R-1525L	N	INLINE FILTER, LPG, VALTEK TYPE 91	1	7584 -
ALT	KZ-1525L	N	KIT, INLINE FILTER, LPG, VALTEK (INCL CLAMP +HW)	1	7584 -
ALT	3R-1546L	N	INLINE FILTER, LPG, PARKER	1	7584 -

\* 2D-0540B IS A KIT THAT CONTAINS ITEMS 3C1, 3C2, & 3C3.

\*\* ITEM 3 WAS 3F-0575L AND IS NO LONGER AVAILABLE. SUBS TO ITEM 3F, ZPN 3F-0545L.

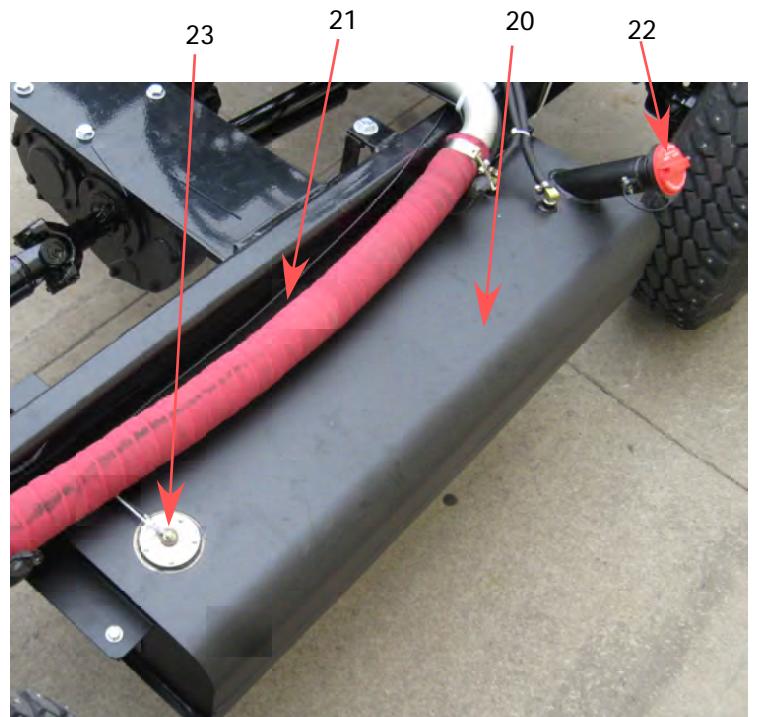
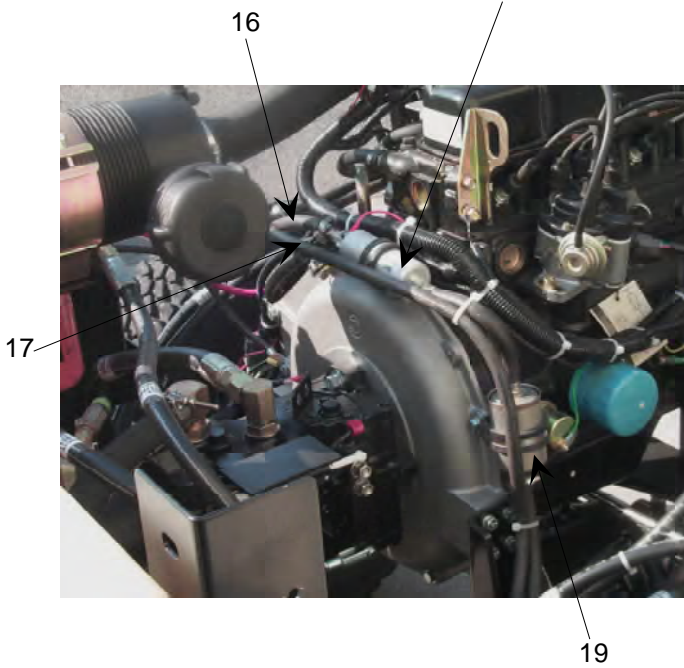
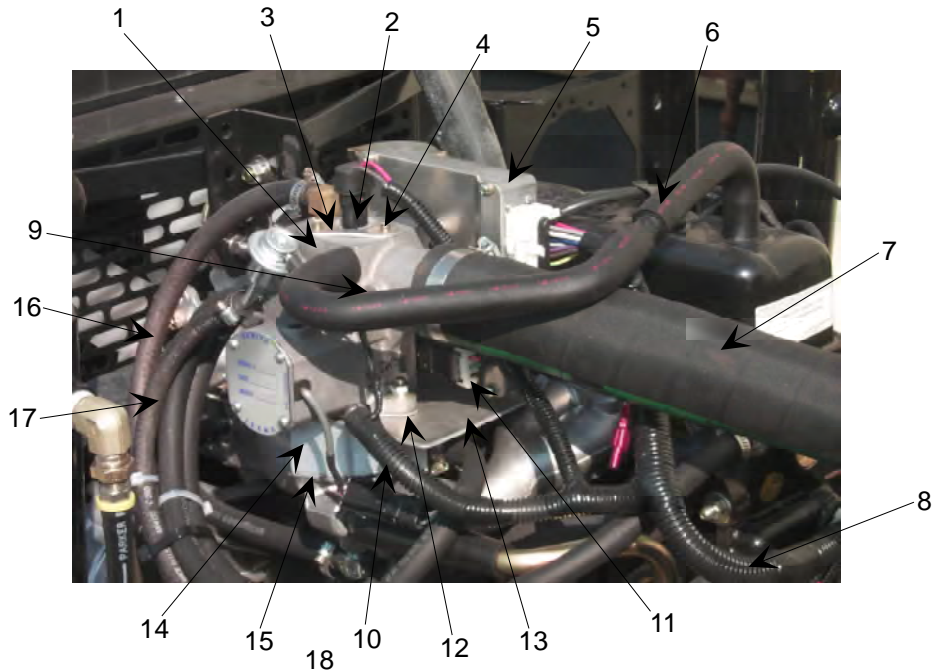
**GROUP 1.030 ENGINE FUEL SYSTEM-LPG**



**GROUP 1.030 ENGINE FUEL SYSTEM - LPG**

IND	PART NO	COMMON to 500	DESCRIPTION	QTY	SERIAL NO
1	F5-62450	Y	ADAPTER, 04MP X 06 MALE SAE 45	3	7584 -
2	FL-82170	Y	TEE, 04MP X 04FP RUN, 04FP BRANCH	3	7584 -
3	2V-72770	Y	RELIEF VALVE	3	7584 -
4	FL-69550	Y	90EL, 04MP X 04FP	3	7584 -
5	2V-72760	Y	MANUAL 3-WAY VALVE, PROPANE	1	7584 -
	2V-72765	Y	HANDLE, 3-WAY VALVE	1	7584 -
	KZ-0043C	N	KIT, LPG-MANUAL VALVE, 540	1	7584 -
6	P4-3600B	N	HOSE ASSY, FUEL, 3/8 X 150	1	7584 -
N/S	PF-3065D	N	HOSE ASSY, FUEL, 3/8 X 14	1	7584 -
7	P4-3110B	Y	HOSE ASSY, FUEL, 3/8 X 26	1	7584 -
8	P4-3135B	Y	HOSE, 3/8 X 32, 06FS X 04MP	1	7584 -
9	FW-3901F	Y	HOSE DISCONNECT, FEMALE HALF	2	7584 -
10	FW-3801M	Y	HOSE DISCONNECT, MALE HALF	2	7584 -
11	7A-72790	Y	TANK, LPG FUEL	2	7584 -
12	46-05230	Y	BRACKET, FUEL TANK MOUNTING	1	7584 -
13	HA-06018	Y	SCREW, 1/4-20 X 2-1/2	1	7584 -
14	HA-06981	Y	LOCKNUT, 1/4-20	1	7584 -
15	1M-0510B	Y	STRAP	1	7584 -
16	1M-0510A	Y	STRAP WITH BUCKLE	1	7584 -

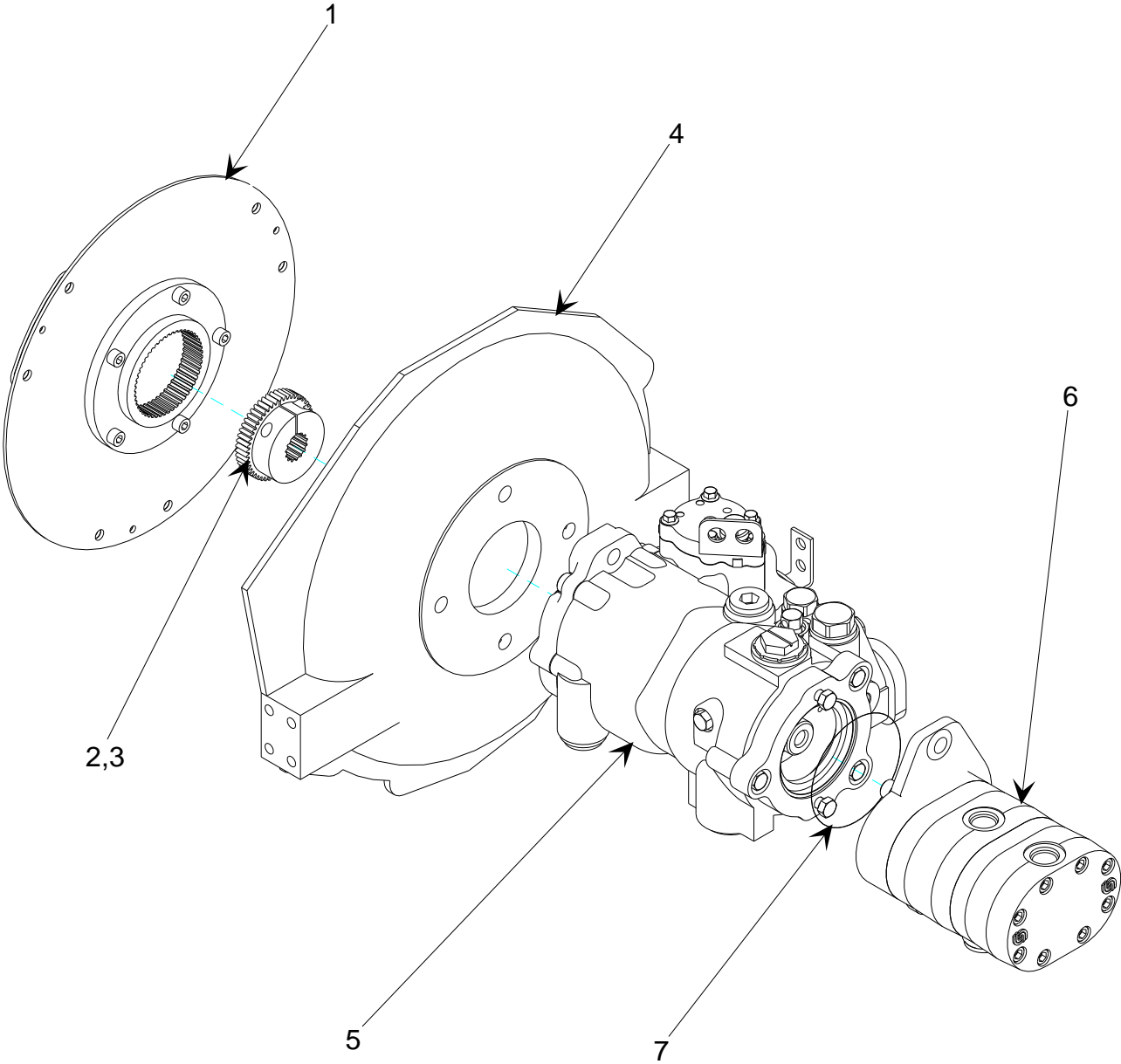
**GROUP 1.040 ENGINE FUEL SYSTEM-GAS**



**GROUP 1.040 ENGINE FUEL SYSTEM - GAS**

IND	PART NO	COMMON to 500	DESCRIPTION	QTY	SERIAL NO
1	3F-0530G	N	THROTTLE BODY, GAS	1	7584-
	3F-72458	N	THROTTLE BODY ASSY W/ECU, GAS, 540	1	7584-
2	3H-0530G	N	GAS ELECTRONIC FUEL INJECTOR	1	7584-
N/S	3H-0535G	N	O-RING SET, GAS, TOP & BOTTOM	1	7584-
3	3H-0532G	N	INJECTOR RETAINER PLATE	1	7584-
4	3H-0533G	N	INJECTOR RETAINER SCREWS	3	7584-
5	3H-0525G	N	ELECTRONIC CONTROL UNIT(ECU), GAS	1	7584-
6	3F-0560H	N	HOSE, CRANKCASE BREATHER	1	7584-
7	RH-9064A	N	HOSE, AIR CLEANER TO THROTTLE BODY	1	7584-
8	75-1852G	N	LOOM, ELECTRICAL CONTROLS	1	7584-
9	3H-0545L	N	SENSOR, AIR TEMPERATURE	1	7584-
10	3H-0555L	N	SENSOR, TEMPERATURE	1	7584-
11	3H-0540L	N	SENSOR, MAP	1	7584-
12	3F-0540L	N	GASKET KIT, MANIFOLD TO EFI ASSEMBLY	1	7584-
13	3F-0550U	N	HEAT SHIELD, ECU	1	7584-
14	3F-0545U	N	ADAPTOR BLOCK	1	7584-
15	3F-0540U	N	GASKET, ADAPTOR, INTAKE MANIFOLD	1	7584-
16	P6-3000A	N	HOSE, FUEL, SUPPLY, 3/8	A/R	7584-
17	P6-2000A	N	HOSE, FUEL, RETURN, 5/16	A/R	7584-
18	3F-79540	N	PUMP, FUEL, ELECTRIC	1	7584-
19	3R-1525G	N	FILTER, FUEL, IN-LINE	1	7584-
20	7A-15240	N	TANK, GAS	1	7584-
	HF-08011	Y	SCREW, HEX HEAD, 5/16-18 x 1", S.S.	4	7584 -
	HF-08861	Y	SS FLAT WASHER, SAE PATTERN 5/16	8	7584 -
	HF-08862	Y	LOCKWASHER, SPLIT, 5/16" STAINLESS STEEL	4	7584 -
	HF-08903	Y	SS HEX NUT, 5/16-18	4	7584 -
21	1V-05530	Y	HEAT SHIELD, GAS TANK	1	7584-
22	7D-18990	N	CAP, GAS TANK	1	7584 -
23	3F-4005A	Y	SENDING UNIT, FUEL LEVEL	1	7584 -

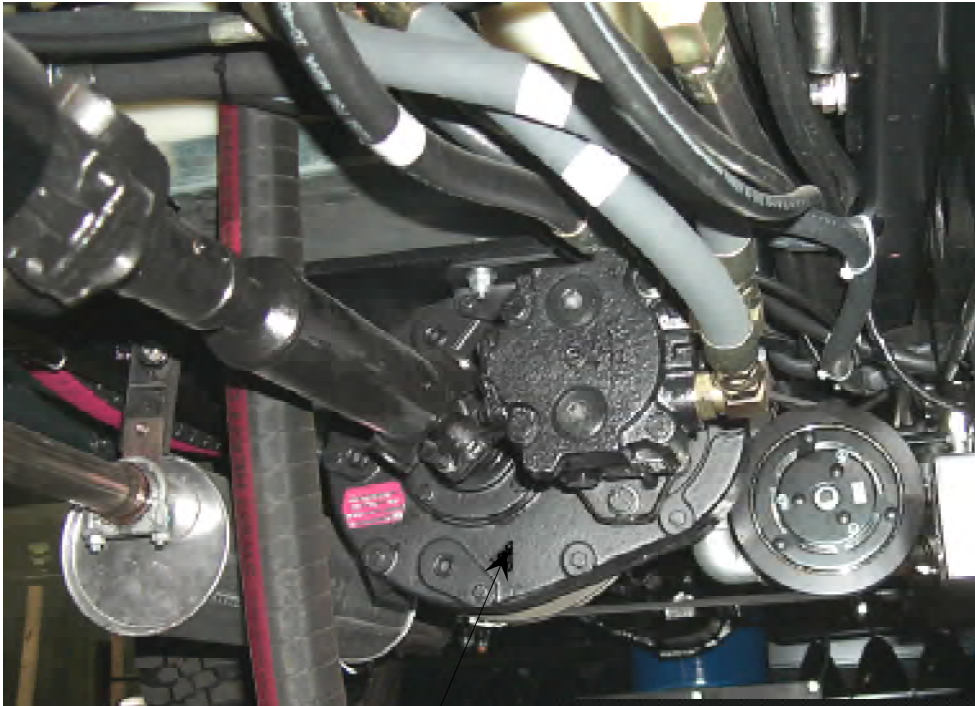
**GROUP 1.050 POWER TRAIN**



**GROUP 1.050 POWER TRAIN**

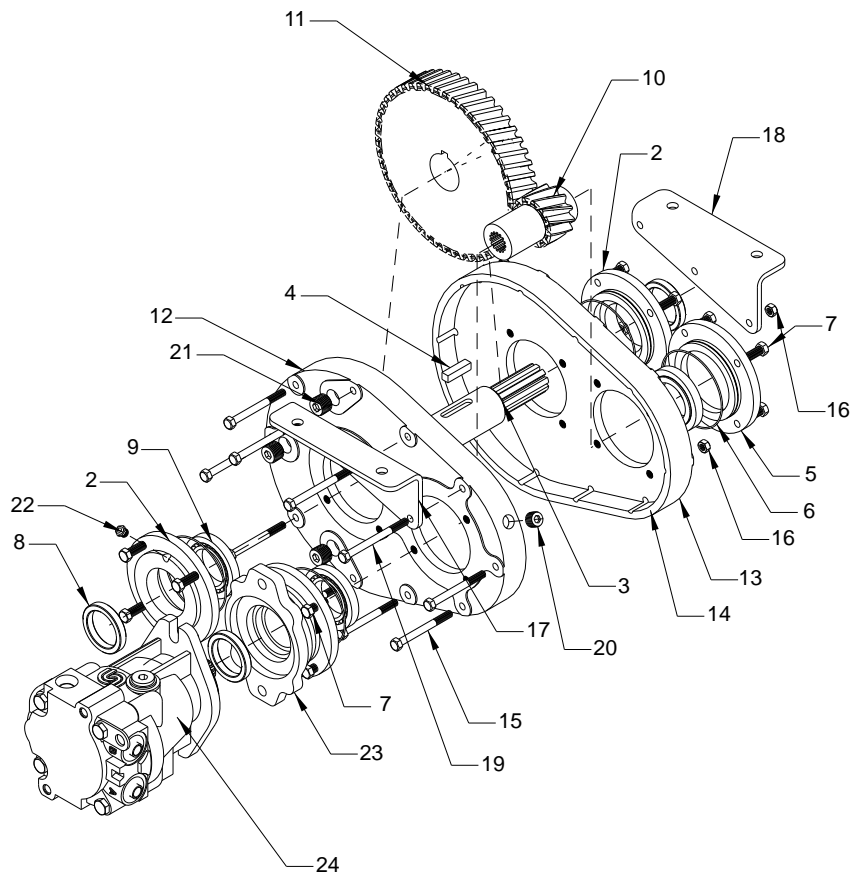
IND	PART NO	COMMON to 500	DESCRIPTION	QTY	SERIAL NO
1	3B-1780A	N	DRIVE PLATE	1	7584-
2	3B-1785A	N	DRIVE COUPLING, 13T	1	7584-
3	HM-23023	N	BOLT, M16 X 1.5 X 50MM	1	7584-
4	2J-0525A	N	FLYWHEEL HOUSING	1	7584-
5	2P-05860	Y	HYDROSTATIC PUMP	1	7584-
6	2P-06500	N	ACCESSORY HYDRAULIC PUMP	1	7584-
7	2E-0045B	Y	O-RING	1	7584-

**GROUP 1.060 TRANSFER CASE**



1

**PARTS BREAKDOWN**

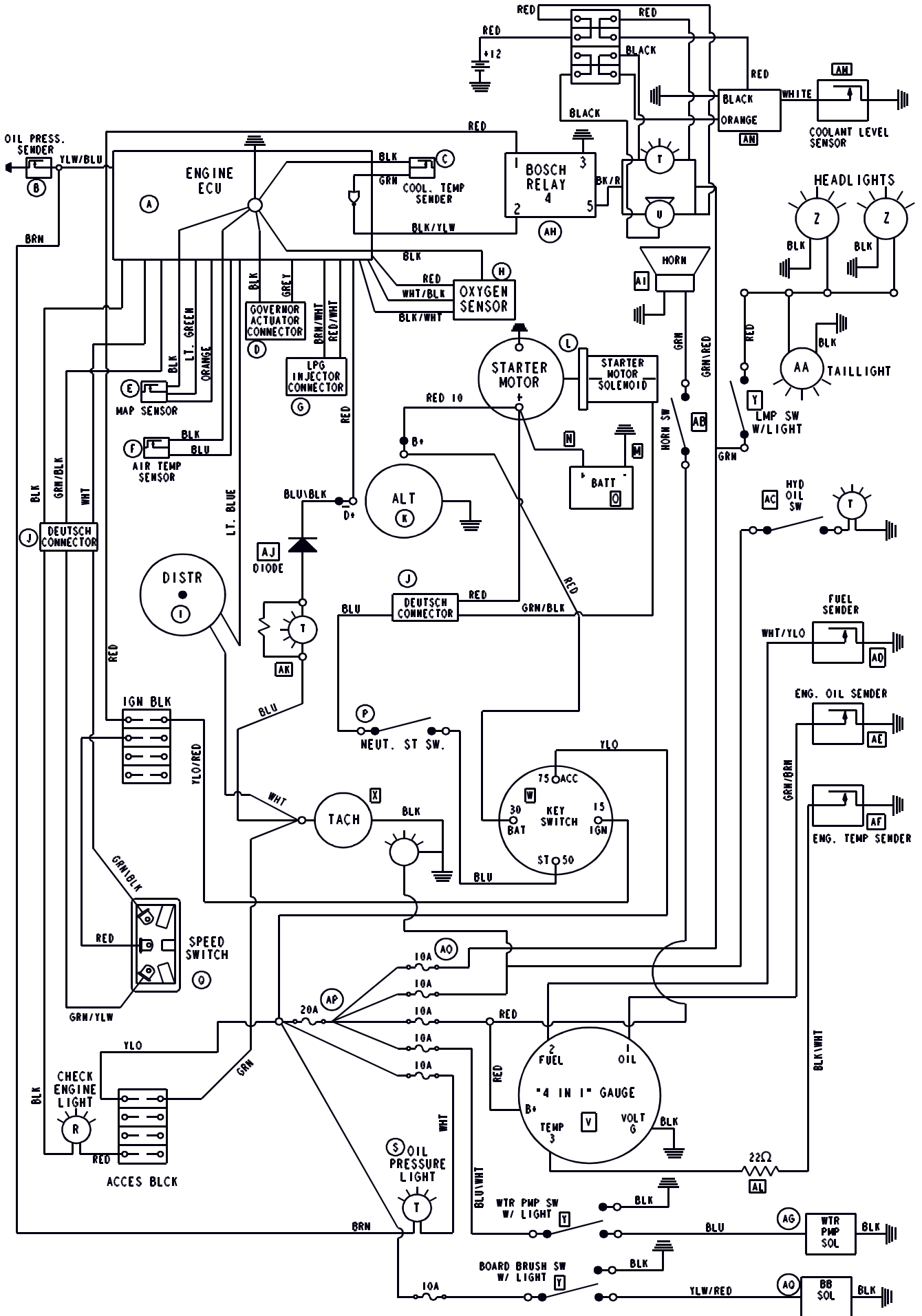




**GROUP 1.060 TRANSFER CASE**

IND	PART NO	COMMON to 500	DESCRIPTION	QTY	SERIAL NO
1	2J-05890	Y	GEAR BOX, 4-1, B2 FLG. W/SPLINE LUBE DUCTING	1	7584-
2	2J-7513C	Y	CAP, OPEN END	1	7584-
3	2J-7513D		SHAFT, OUTPUT	1	7584-
N/S	2J-7513H	Y	SPACER, OUTPUT SHAFT (ALSO INCL IN KZ-75130)	2	7584-
4	15-54114	Y	KEY, OUTPUT SHAFT	1	7584-
5		Y	CAP, CLOSED END, NOT SERVICED	1	7584-
6	2E-0044B	Y	O-RING SEALS, CAPS	4	7584-
7	HA-10011	Y	SCREW, HEX HEAD, 3/8-16 X 1	12	7584-
8	2F-93200	Y	OIL SEAL (ALSO INCL IN KZ-75130)	3	7584-
9	BO-5186W	Y	BEARING SET, CUP & CONE	4	7584-
10		Y	GEAR, INPUT, NOT SERVICED	1	7584-
11		Y	GEAR, OUTPUT, NOT SERVICED	1	7584-
12		Y	HOUSING HALF, MOTOR SIDE, NOT SERVICED	1	7584-
13		Y	HOUSING HALF, CLOSED SIDE, NOT SERVICED	1	7584-
14	2J-7513A	Y	GASKET, CASE, USE 2J-7513J & 2J-7513K	1	7584-
15	HA-08021	Y	SCREW, HEX CAP, 5/16-18 X 3/4	7	7584-
16	HA-08981	Y	LOCKNUT, HEX, 5/16-18	10	7584-
17		Y	MOUNTING BRKT., MOTOR SIDE, NOT SERVICED	1	7584-
18		Y	MOUNTING BRKT., CLOSED SIDE, NOT SERVICED	1	7584-
19	HA-08023	Y	SCREW, HEX HD, 5/16-18 X 3-3/4	3	7584-
20	FL-1812B	Y	PLUG, 3/8 NPT	1	7584-
21	FL-18160	Y	PLUG, 1/2 NPT	3	7584-
22	3R-06000	Y	VENT PLUG. 1/8 NPT	1	7584-
23	2J-0589H	Y	FLANGE, B2 WITH LUBE DUCT	1	7584-
24	2M-06020	N	MOTOR, HYDROSTATIC SUNDSTRAND, SERIES 44	1	7584-
	KZ-75130	Y	KIT, INCLUDES ITEMS 8,14, & N/S ALSO INCLUDES DK-75130, INSTRUCTIONS FOR SETTING BEARING END PLAY	1	7584-
N/S	2J-7513J	Y	GASKET/SHIM, END CAP (ALSO INCL IN KZ-75130)	AR	7584-
	2J-7513K	Y	GASKET/SHIM, END CAP (ALSO INCL IN KZ-75130)	AR	7584-
N/S	2D-05110		GASKET, TRANSFER CASE TO HYDROSTATIC MOTOR	1	7584-

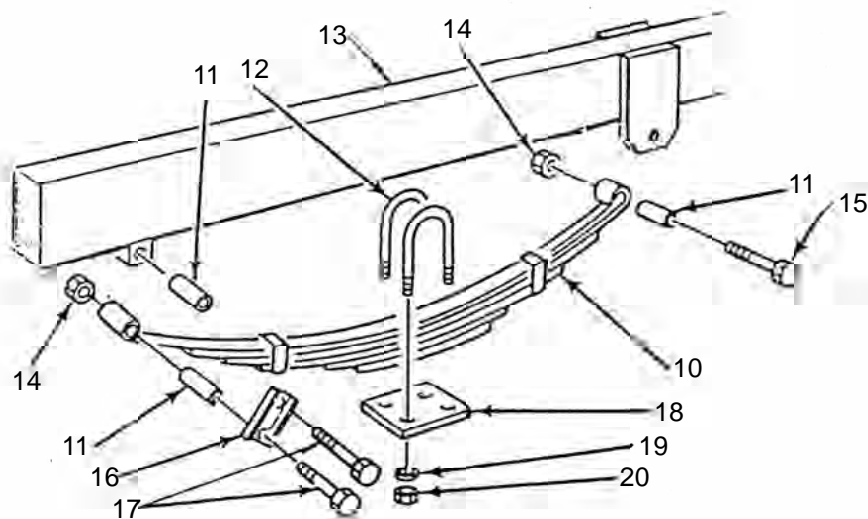
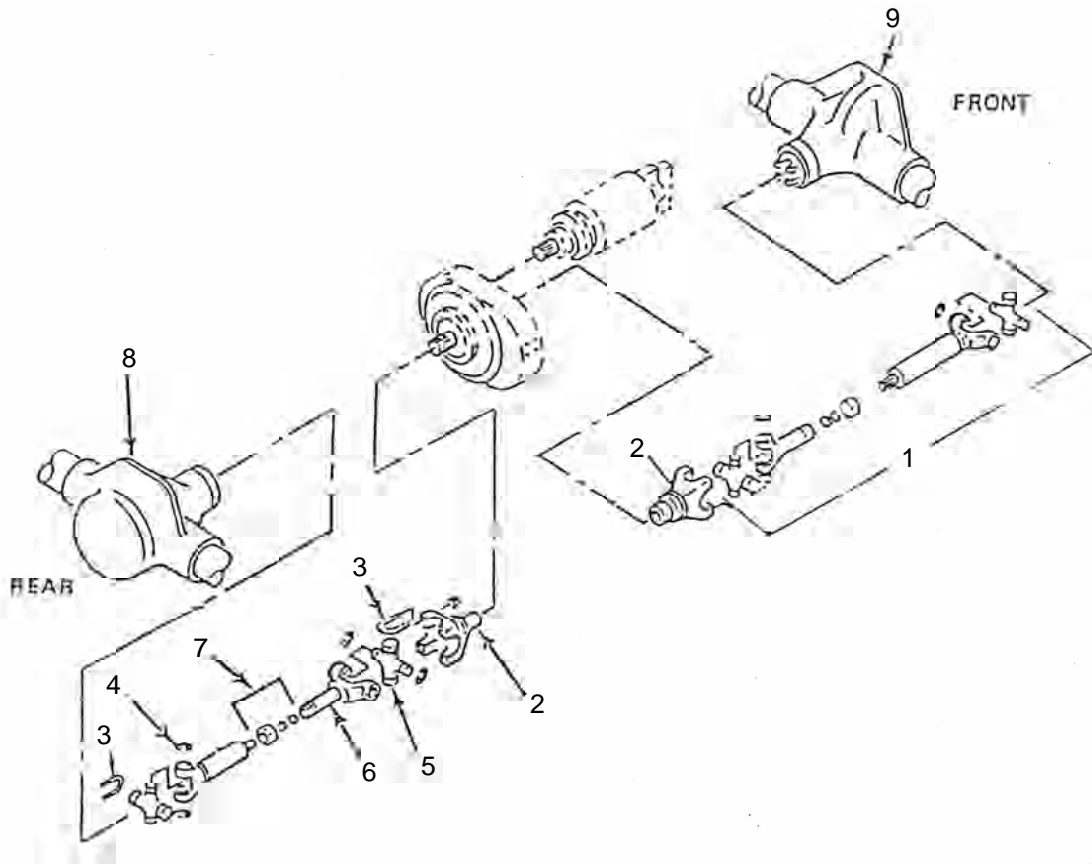
GROUP 2.000 ELECTRICAL SYSTEM



**GROUP 2.000 ELECTRICAL SYSTEM**

IND	PART NO	COMMON		DESCRIPTION	QTY	SERIAL NO
			to 500			
A	3H-0525L	N		ECU, ENGINE, LPG	1	7584 -
	3H-0525G	N		ECU, ENGINE, GAS	1	7584 -
	75-66540	N		GROUND STRAP, ENGINE	1	7584 -
B	3L-0400N	N		SWITCH, OIL PRESSURE	1	7584 -
C	3H-0555L	N		SENSOR, COOLANT TEMPERATURE	1	7584 -
D	75-0535N	N		CONNECTOR, GOVERNOR ACTUATOR	1	7584 -
E	3H-0540L	N		SENSOR, MAP	1	7584 -
F	3H-0545L	N		SENSOR, AIR TEMPERATURE	1	7584 -
G	75-0531L	N		CONNECTOR, LPG INJECTOR	1	7584 -
	75-0531G	N		CONNECTOR, GAS INJECTOR	1	7584 -
H	3H-0550L	N		SENSOR, OXYGEN	1	7584 -
I	3E-05250	N		DISTRIBUTOR ASSY.	1	7584 -
J	75-06145	N		CONNECTOR, DEUTSCH, 12 PIN, PLUG	1	7584 -
	75-06143	N		CONNECTOR, DEUTSCH, 12 PIN, RECEPTACLE	1	7584 -
	75-06144	N		LOCKING WEDGE, DEUTSCH, PIN, RECEPTACLE	1	7584 -
	75-06142	N		LOCKING WEDGE, DEUTSCH, SOCKET, PLUG	1	7584 -
	75-06123	N		CONTACTS, DEUTSCH, PIN,	8	7584 -
	75-06113	N		CONTACTS, DEUTSCH, SOCKET	8	7584 -
	75-06124	N		SEALING PLUG, DEUTSCH	8	7584 -
K	3E-1525A	N		ALTERNATOR	1	7584 -
L	3E-05550	N		STARTER MOTOR ASSY.	1	7584 -
	3E-0555A	N		STARTER MOTOR SOLENOID	1	7584 -
M	75-76550	Y		CABLE, BATTERY, 23 INCH(NEG.)	1	7584 -
N	75-76540	N		CABLE, BATTERY, 20 INCH(POS.)	1	7584 -
O	77-75230	Y		BATTERY, 12 V	1	7584 -
P	7P-7962A	Y		SWITCH ASSY., NEUTRAL START	1	7584 -
Q	7P-77365	Y		SWITCH, RPM SPEED	1	7584 -
R	7L-1525A	N		LIGHT ASSY., CHECK ENGINE LIGHT	1	7584 -
N/S	7L-1525C	N		LAMP ASSY, GREEN LED, GREEN MEANS GO	1	7584 -
S	7L-78460	Y		LIGHT ASSY., INDICATOR LIGHT	4	7584 -
T	7L-78462	Y		BULB, INDICATOR LIGHT	4	7584 -
U	7X-0500A	Y		BUZZER ALARM, ENGINE TEMPERATURE	1	7584 -
V	7K-50030	N		GAUGE, 3-IN-1, (OIL, WATER TEMP, VOLTS), LPG	1	7584 -
	7K-50040	N		GAUGE, 4-IN-1, (OIL, WATER TEMP, VOLTS), GAS	1	7584 -
W	7P-04400	Y		SWITCH, IGNITION	1	7584 -
X	7K-7728A	Y		TACH-HOUR METER, LCD, SS BEZEL	1	7584 -
Y	7P-77262	Y		SWITCH, UNIVERSAL	2	7584 -
Z	7L-17969	Y		ASSY., HEADLAMP	2	7584 -
AA	7L-17780	Y		TAIL LAMP	1	7584 -
AB	7P-76369	Y		SWITCH, HORN	1	7584 -
AC	3R-06523	Y		SWITCH, HYDRAULIC OIL FILTER	1	7584 -
AD	3F-4005A	Y		SENDER, FUEL	1	7584 -
AE	7K-50060	N		SENDER, ENGINE OIL PRESSURE	1	7584 -
AF	7K-9001D	N		SENDER, ENGINE TEMPERATURE	1	7584 -
AG	2P-37571	Y		WATER PUMP ASSY.	1	7584 -
AH	3E-18525	N		RELAY, BOSCH, ENGINE TEMPERATURE	1	7584 -
AI	7X-10420	Y		HORN, VEHICLE WARNING	1	7584 -
AJ	3E-0262D	Y		DIODE, ALTERNATOR	1	7584 -
AK	7L-1001A	Y		RESISTOR, ALT. LAMP SHUNT	1	7584 -
	75-18525	N		WIRE HARNESS, MAIN LOOM	1	7584 -
	75-1852L	N		WIRE HARNESS, ENGINE LOOM, LPG	1	7584 -
	75-1853L	N		WIRE HARNESS, ENGINE LOOM, LPG, ZEEMS 2	1	7584 -
	75-1852G	N		WIRE HARNESS, ENGINE LOOM, GAS	1	7584 -
	75-1826E	Y		WIRE HARNESS, INSTRUMENT PANEL	1	7584 -
	AL	3E-54000	N		RESISTOR, TEMP GAUGE	1
AM	3H-0560L	N		SENSOR, COOLANT LEVEL	1	7584 -
AN	3H-0560M	N		MODULE, COOLANT LEVEL DETECTOR	1	7584 -
	75-05400	N		WIRING, RADIATOR LOW COOLANT SENSOR	1	7584 -
AO	78-77530	Y		FUSE, 10 AMP (SUB 78-77590)	5	7584 -
AP	78-77520	Y		FUSE, 20 AMP (SUB 78-77570)	1	7584 -
	78-77525	N		FUSE, 25 AMP	1	7584 -
N/S	78-77420	Y		FUSE HOLDER, PANEL MOUNT	10	7584 -
AQ	2V-9029C	Y		COIL, SOLENOID VALVE, BB	1	7584 -

**GROUP 3.010 AXLES, DRIVE SHAFTS, WHEELS, TIRES, SUSPENSION**



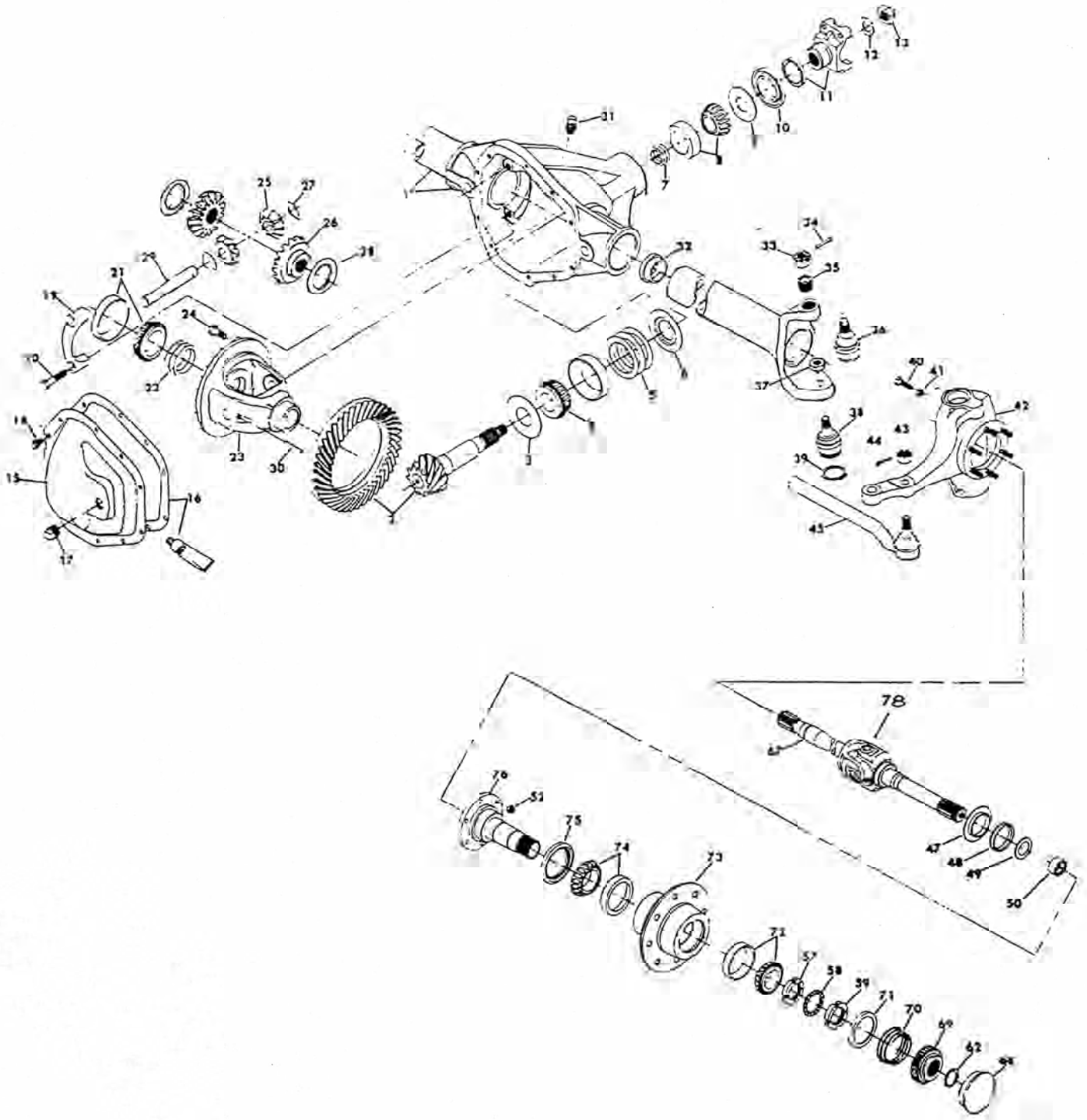
**GROUP 3.010 AXLES, DRIVE SHAFTS, WHEELS, TIRES, SUSPENSION**

IND	PART NO	COMMON to 500	DESCRIPTION	QTY	SERIAL NO
1	1H-16200	Y	DRIVE SHAFT	2	7584 -
2	1H-74670	Y	END YOKE, DRIVE SHAFT	2	7584 -
	HD-12862	Y	FLAT WASHER, SPECIAL 7/16	2	7584 -
	HA-12862	Y	LOCKWASHER, 7/16	2	7584 -
	HA-12014	Y	SCREW, HEX HEAD, 7/16-14 X 1 1½	2	7584 -
3	1L-73040	Y	U-BOLT, NUT & WASHER	8	7584 -
	1H-74695	Y	STRAP ASSEMBLY(ONLY FOR 60 REAR AXLE)	2	7584-
4	1F-73060	Y	SNAP-RING	8	7584 -
5	1F-73050	Y	CROSS BEARING W/DUST CAP	4	7584 -
6	1F-72950	Y	SLIP TUBE YOKE	2	7584 -
7	1F-72970	Y	DUST CAP ASSY.	2	7584 -
8	1D-72921	Y	REARAXLE ASSY., INCL. HUBS, DRUMS, BRAKE ASSY.	1	7584 -
	FD-04210	Y	STREET ELBOW, REAR AXLE	1	7584 -
9	1D-16681	Y	FRONT AXLE ASSY., INCL. HUBS	1	7584 -
	FD-04210	Y	STREET ELBOW, FRONT AXLE	1	7584 -
	1A-2600C	Y	ASSY., WHEEL & TIRE, CHROME	4	7584 -
	1B-2600C	Y	WHEEL, CHROME	4	7584 -
	1B-51722	Y	TIRE WITH TRACTION STUDS	4	7584 -
	1B-10000	Y	STUD, TRACTION (APPRX. 86 PCS. PER TIRE)	AR	7584 -
	HD-1600C	Y	NUT, LUG, STEEL CHROME	32	7584 -
	1F-1668A	Y	ASSY., STEERING KNUCKLE, LEFT SIDE	1	7584 -
	1F-1668B	Y	ASSY., STEERING KNUCKLE, RIGHT SIDE	1	7584 -
10	1L-75100	Y	LEAF SPRING ASSY.	2	7584 -
11	10-40500	Y	BUSHING, SPRING SHACKLE	6	7584 -
12	1K-73360	Y	U-BOLT	4	7584 -
13	1V-52500	N	CHASSIS	1	7584 -
14	HA-13981	Y	LOCKNUT, HEX, 7/16-20	6	7584 -
15	HA-13021	Y	SCREW, HEX HEAD, 7/16-20 X 3¼	2	7584 -
16	1M-40510	Y	STRAP, SPRING, SHACKLE	4	7584 -
17	HA-13020	Y	SCREW, HEX HEAD, 7/16-20 X 3	4	7584 -
18	1P-73340	Y	PLATE, U-BOLT	2	7584 -
19	HA-14862	Y	LOCKWASHER, ½	8	7584 -
20	HD-15981	Y	NUT, SPECIAL HEX, ½-20	8	7584 -
N/S	1K-16470	Y	U-BOLT, FRONT AXLE	4	7584 -
	HA-14862	Y	LOCKWASHER, ½	8	7584 -
	HD-15981	Y	NUT, SPECIAL HEX, ½-20	8	7584 -

AXLE OIL CAPACITY - use 90W gear oil

Front axle                    6.1 U. S. pints/2.7L  
Rear axle                      9.1 U. S. pints/4.3L

**GROUP 3.020 FRONT AXLE**



**Group 3.020 FRONT AXLE**

IND	PART NO	COMMON to 500	DESCRIPTION	QTY	SERIAL NO
	1D-16680	Y	AXLE, ASS'Y, FRONT, INCL. HUBS (044BA103-1)		7584 -
1	**	Y	HOUSING-AXLE		7584 -
2	*	Y	GEAR & PINION ASS'Y-DRIVE		7584 -
3	*	Y	SLINGER PINION BEARING INNER		7584 -
4	BO-5315V	Y	KIT-INNER PINION BEARING	1	7584 -
5	*	Y	SHIM-DRIVE PINION ADJUSTING		7584 -
6	*	Y	BAFFLE-PINION BEARING		7584 -
7	*	Y	SHIM-PINION BEARING ADJUSTING		7584 -
8	BO-5028V	Y	KIT-OUTER PINION BEARING	1	7584 -
9	*	Y	SLINGER-PINION BEARING OUTER		7584 -
10	2F-3250A	Y	SEAL-PINION	1	7584 -
11	1F-95510	Y	END YOKE ASSEMBLY	1	7584 -
12	HA-22861	Y	WASHER-PINION NUT	1	7584 -
13	HA-23981	Y	NUT-PINION	1	7584 -
15	*	Y	COVER-CARRIER W/PLUG		7584 -
16	1F-94660	Y	GASKET-CARRIER COVER	1	7584 -
17	FL-18210	Y	PLUG-COVER	1	7584 -
18	1F-95549	Y	BOLT-CARRIER COVER	10	7584 -
19	**	Y	CAP-DIFFERENTIAL BEARING		7584 -
20	1F-72919	Y	BOLT-DIFFERENTIAL BEARING CAP	4	7584 -
21	BO-5255V	Y	KIT-DIFFERENTIAL BEARING	1	7584 -
22	*	Y	SHIM-DIFFERENTIAL BEARING		7584 -
23	*	Y	CASE-DIFFERENTIAL		7584 -
24	1F-72918	Y	BOLT-DRIVE GEAR	10	7584 -
25	*	Y	PINION-DIFFERENTIAL		7584 -
26	*	Y	GEAR-DIFFERENTIAL		7584 -
27	*	Y	THRUST WASHER-DIFFERENTIAL PINION		7584 -
28	*	Y	THRUST WASHER-DIFFERENTIAL GEAR		7584 -
29	*	Y	SHAFT-DIFFERENTIAL		7584 -
30	15-81620	Y	LOCK-DIFFERENTIAL SHAFT	1	7584-
31	1F-72916	Y	PLUG-VENT	1	7584 -
32	2F-93460	Y	SEAL & GUIDE-TUBE	2	7584 -
33	*	Y	NUT-HEX. SLOTTED	2	7584 -
34	HA-52712	Y	PIN-COTTER	2	7584 -
35	1F-94470	Y	RING-ADJUSTING SPLIT	2	7584 -
36	SEE KIT H	Y	SOCKET ASS'Y-UPPER		7584 -
37	HA-23982	Y	NUT-HEX. JAM	2	7584 -
38	SEE KIT H	Y	SOCKET ASS'Y-LOWER		7584 -
39	HA-7112A	Y	RING-SNAP	2	7584 -
40	1F-72917	Y	SCREW-STOP	2	7584 -
41	HA-11982	Y	NUT-JAM	2	7584 -
42	SEE KIT F&G	Y	KNUCKLE ASS'Y		7584 -
43	HA-17985	Y	NUT-HEX. SLOTTED	2	7584 -
44	HA-57211	Y	PIN-COTTER	2	7584 -
45	4D-18970	Y	TIE ROD ASS'Y	1	7584 -
47	INCL W/#67	Y	SLINGER-SPINDLE YOKE		7584 -
48	2F-95310	Y	SEAL-OIL, SPINDLE		7584 -
49	1F-95460	Y	SPACER-WHEEL BEARING SPINDLE		7584 -
50	1X-92080	Y	BEARING ASS'Y-NEEDLE		7584 -
52	HA-11981	Y	NUT-BRAKE MOUNTING	6	7584 -
57	1F-95440	Y	NUT & PIN ASS'Y-INNER LOCK	2	7584 -

**Group 3.020 FRONT AXLE**

IND	PART NO	COMMON to 500	DESCRIPTION	QTY	SERIAL NO
58	1F-95450	Y	LOCK-RETAINING NUT	2	7584 -
59	1F-95390	Y	NUT-WHEEL BEARING ADJUSTING	2	7584 -
62	HA-7080A	Y	RING SNAP	2	7584 -
67LT	1F-95280	Y	SHAFT & JOINT ASSY.	1	7584 -
67RT	1F-95270	Y	SHAFT & JOINT ASSY.	1	7584 -
68	1F-95400	Y	DUST COVER	2	7584 -
69	1F-95410	Y	GEAR-AXLE DRIVE	2	7584 -
70	1F-95420	Y	SPRING-PRESSURE	2	7584 -
71	1F-95430	Y	PLATE-SPRING RETAINING	2	7584 -
72	BL-6501A	Y	OUTER WHEEL BEARING, CONE	2	7584 -
	BL-6501M	Y	OUTER WHEEL BEARING, CUP	2	7584 -
73	1F-95330	Y	HUB-WHEEL	2	7584 -
74	BL-6104A	Y	INNER WHEEL BEARING, CONE	2	7584 -
	BJ-6104M	Y	INNER WHEEL BEARING, CUP	2	7584 -
75	2F-95380	Y	SEAL-OIL	2	7584 -
76	SEE KIT D	Y	SPINDLE-WHEEL BEARING	2	7584 -
77	HD-15306	Y	STUD, WHEEL, ½-20, R. H.	16	7584 -
78	1F-95263	Y	CROSS, SHAFT & JOINT ASSY.	2	7584 -

\* PART NOT SERVICED INDIVIDUALLY

\*\* CONSULT ZAMBONI FACTORY

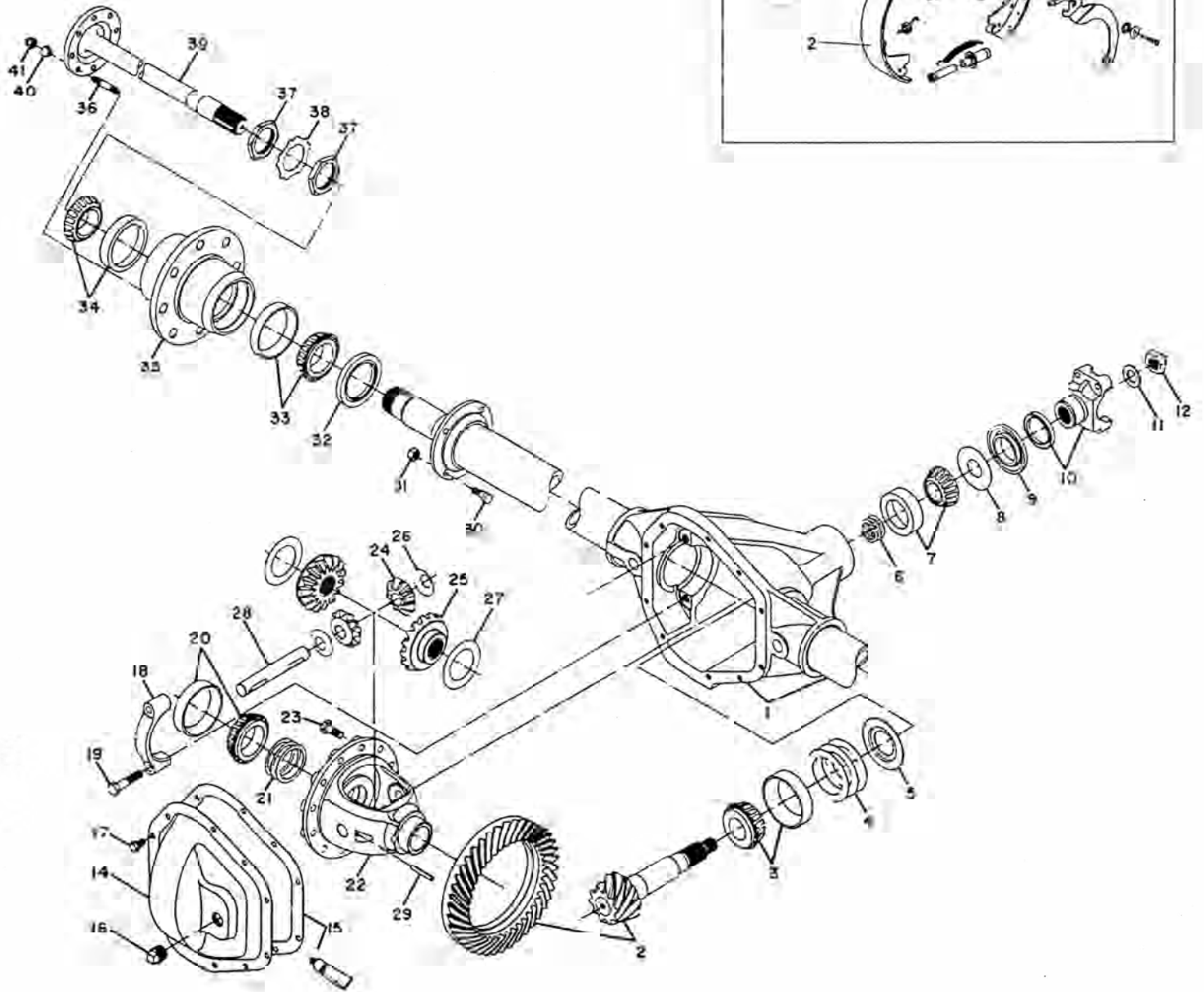
*LEFT SIDE INDICATES DRIVER'S SIDE OF THE RESURFACER FOR BOTH FRONT AND REAR AXLES.*

KIT A	1F-95060	DRIVE GEAR AND PINION ASSEMBLY (Includes Items 2,3,4,5,6,7,8,9,10,12,13,16,22,24)	1	7584 -
KIT B	1F-94970	DIFFERENTIAL CASE ASSEMBLY (Includes Items 16,21,22,23,24,25,26,27,28,29,30)	1	7584 -
KIT C	1F-95590	DIFFERENTIAL PARTS (Includes Items 16,18,24,25,26,27,28,29,30)	1	7584 -
KIT D	1F-95300	WHEEL BEARING SPINDLE (Includes Items 48,49,50,76) ***		7584 -
KIT F	1F-1668B	STEERING KNUCKLE - R. H. (Includes Items 33,34,35,36,37,38,39,42)	1	7584 -
KIT G	1F-1668A	STEERING KNUCKLE - L.H. (Includes Items 33,34,35,36,37,38,39,42)	1	7584 -
KIT H	1F-93610	SOCKET ASSEMBLY (Includes Items 33,34,35,36,37,38,39) ***		7584 -

\*\*\* ONE KIT REQUIRED PER SIDE



**GROUP 3.030 REAR AXLE**



**GROUP 3.030 REAR AXLE**

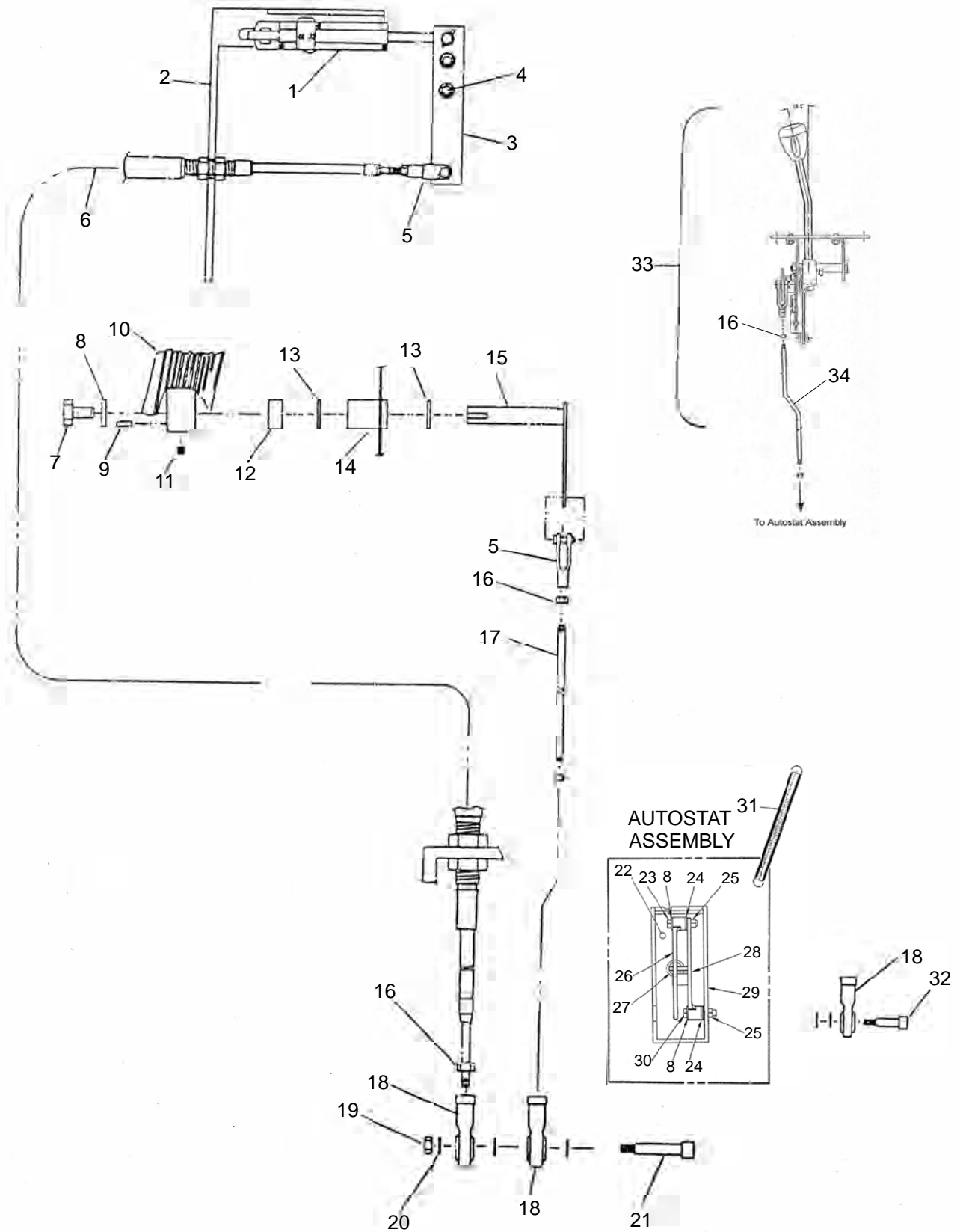
IND	PART NO	COMMON to 500	DESCRIPTION	QTY	SERIAL NO
1	1D-72922	Y	AXLE ASSY. W/HUB, DRUM & BRAKE	1	7584 -
2	9493	Y	RING & PINION	1	7584-
3	BH-6803A	Y	INNER PINION BEARING, CONE	1	7584 -
	BH-6803M	Y	INNER PINION BEARING, CUP	1	7584 -
4	9480	Y	SHIM SET	1	7584 -
5	1F-7292C	Y	BAFFLE	1	7584 -
6	1F-7292A	Y	SHIM SET	1	7584 -
7	BH-5885A	Y	OUTER PINION BEARING, CONE	1	7584 -
	BH-5885M	Y	OUTER PINION BEARING, CUP	1	7584 -
8	1F-7292B	Y	SLINGER	1	7584 -
9	2F-3051A	Y	PINION SEAL	1	7584 -
10	9552	Y	END YOKE ASSEMBLY	1	7584 -
11	NPN	Y	WASHER	1	7584 -
12	HA-27988	Y	NUT	1	7584 -
14	9548	Y	COVER	1	7584 -
15	9547	Y	GASKET DIFFERENTIAL COVER	1	7584 -
16	NPN	Y	DRAIN PLUG	1	7584 -
17	NPN	Y	CARRIER COVER BOLT*	10	7584 -
			(* CAN SUB HF-10009, HF-10861, HF-00862)		
18-29	9492	Y	CARRIER ASSEMBLY	1	7584 -
23-29	9557	Y	SPIDER GEARS	1	7584 -
20	B0-3387A	Y	BEARINGS FOR CASE, CONE	1	7584 -
	B0-3382M	Y	BEARINGS FOR CASE, CUP	1	7584 -
21	9479	Y	CARRIER SHIM KIT	1	7584 -
30	NPN	Y	BOLT	4	7584 -
31	NPN	Y	NUT	4	7584 -
32	2F-4258A	Y	SEAL	1	7584 -
33	BO-3370V	Y	INNER WHEEL BEARING KIT	2	7584 -
34	BO-3359V	Y	OUTER WHEEL BEARING KIT	2	7584 -
35	1F-00200	Y	HUB & DRUM ASSEMBLY	1	7584 -
36	1F-6001A	Y	STUD	16	7584 -
37	9442	Y	NUT BEARING ADJUSTMENT	4	7584 -
38	9445	Y	LOCKWASHER	2	7584 -
39	9342	Y	AXLE SHAFT LH & RH	2	7584 -
40	9553	Y	ADAPTER, STUD	16	7584 -
41	1F-6002A	Y	LOCKNUT	16	7584 -
N/S	9512	Y	FLANGE GASKET	2	7584 -
N/S	1F-6000B	Y	LUG STUD	16	7584 -
N/S	9492	Y	KIT, CASE FOR DIFFERENTIAL, 60 REAR	1	7584 -
N/S	9493	Y	KIT, RING & PINION, 60 REAR	1	7584 -

N/S = NOT SHOWN

**BRAKE DRUM ASSEMBLY**

1	1J-7292L	Y	WHEEL CYLINDER, LEFT WHEEL	1	7584 -
	1J-7292R	Y	WHEEL CYLINDER, RIGHT WHEEL	1	7584-
2&3	1J-7292B	Y	BRAKE SHOE SET	1	7584 -
	1J-0552A	Y	BRAKE DRUM ASSEMBLY, LH	1	7584 -
	1J-0552B	Y	BRAKE DRUM ASSEMBLY, RH	1	7584 -
N/S	1J-05523	Y	BRAKE BLEEDER VALVE/FITTING	1	7584 -

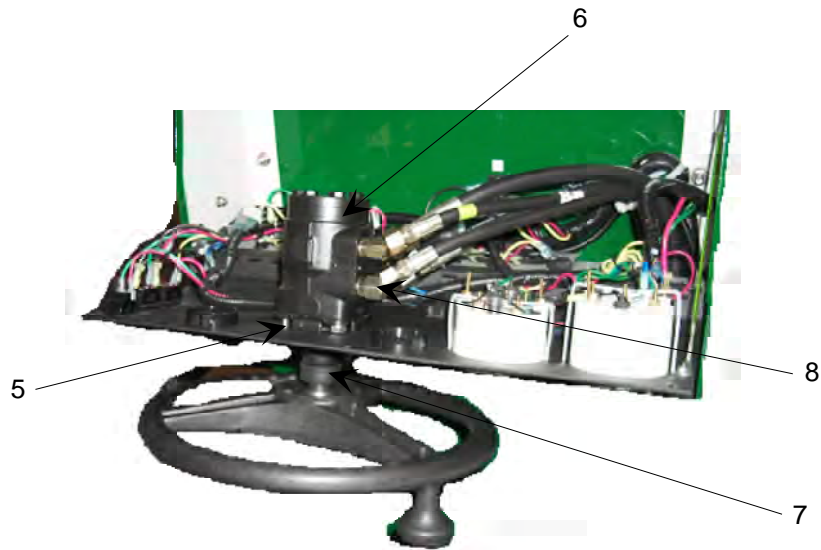
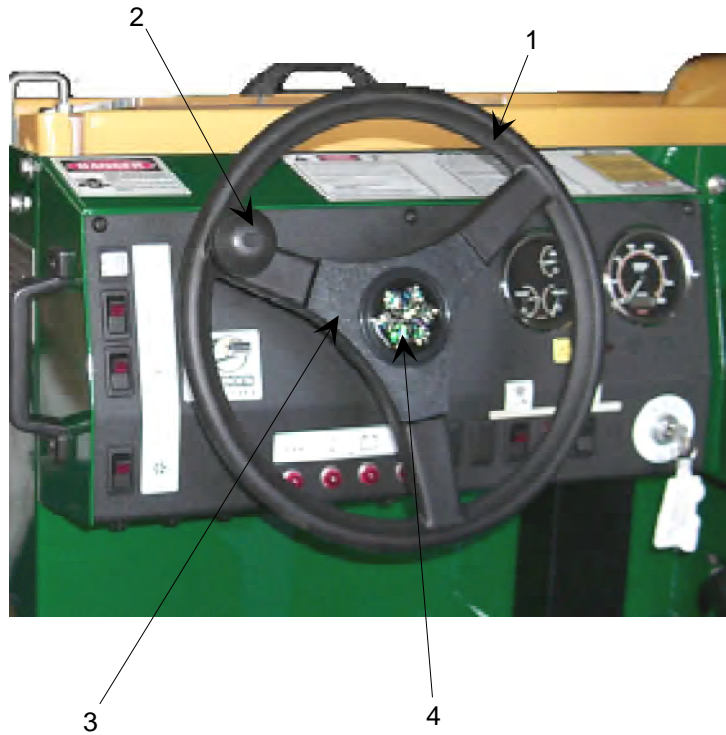
**GROUP 4.010 HYDROSTAT CONTROL**



**GROUP 4.010 HYDROSTAT CONTROL**

IND	PART NO	COMMON to 500	DESCRIPTION	QTY	SERIAL NO
1	7P-7962A	Y	SWITCH, NEUTRAL START	1	7584 -
	32-05010	Y	HARDWARE KIT, NEUTRAL START SWITCH MOUNTING	1	7584 -
2	5T-00500	Y	BRACKET, CABLE & NEUTRAL START SWITCH MOUNT	1	7584 -
3	39-07000	Y	LEVER, SWASH PLATE CONTROL	1	7584 -
4	HA-10009	Y	SCREW, HEX HEAD, 3/8-16 X 3/4	2	7584 -
	HA-10862	Y	WASHER, LOCK, 3/8	2	7584 -
	HA-10980	Y	NUT, HEX HEAD, 3/8-16	2	7584 -
5	36-0510A	Y	CLEVIS YOKE & PIN ASSY.	2	7584 -
6	33-0503C	Y	CABLE, HYDROSTATIC CONTROL	1	7584 -
7	HA-08009	Y	SCREW, HEX HEAD, 5/16-18 X 3/4	1	7584 -
8	HA-08860	Y	WASHER, FLAT, 5/16	3	7584 -
9	15-01100	Y	KEY, SQUARE, 3/16 X 1	1	7584 -
10	4M-05001	Y	FOOT PEDAL	1	7584 -
11	HD-0840F	Y	SCREW, SET, SOCKET, 5/16-18 X 3/8	1	7584 -
12	11-2424C	Y	COLLAR, CLAMPING, 3/4 X 1 1/4	1	7584 -
13	1X-05000	Y	THRUST BEARING, 3/4 X 1 1/4	2	7584 -
14	5T-0600A	Y	BRACKET, CONTROL MOUNTING	1	7584 -
15	39-06005	Y	WELDMENT, FOOT PEDAL LEVER	1	7584 -
16	HA-04980	Y	NUT, HEX HEAD, #10-32	6	7584 -
17	4E-06002	Y	FOOT CONTROL ROD	1	7584 -
18	4J-04030	Y	ROD END	3	7584 -
19	HA-02981	Y	NUT, LOCK, NYLON, #8-32	2	7584
20	HA-03867	Y	WASHER, FLAT, #10 SAE	5	7584 -
21	HH-00064	Y	SCREW, SHOULDER, 3/16 X 1	1	7584 -
22	32-05000	Y	AUTOSTAT ASSY. (INCLUDES ITEMS 8, 23-31)	1	7584 -
23	HA-11015	Y	SCREW, HEX HEAD, 3/8-24 X 1 3/4	1	7584 -
24	10-0520A	Y	BUSHING, FLANGED, OILITE, 7/8	1	7584 -
25	HA-11980	Y	NUT, HEX HEAD, 3/8-24	2	7584 -
26	32-0500B	Y	LEVER, LEFT ARM	1	7584 -
27	1L-0520B	Y	SPRING, EXTENSION	1	7584 -
28	32-0500A	Y	LEVER, RIGHT ARM	1	7584 -
29	32-0500C	Y	WELDMENT, FRAME	1	7584 -
30	HA-11016	Y	SCREW, HEX HEAD, 3/8-24 X 2	1	7584 -
31	1L-0520A	Y	SPRING, EXTENSION	1	7584 -
32	HH-00040	Y	SCREW, SHOULDER, 3/16 X 5/8	1	7584 -
33	32-06525	N	ASSY., SINGLE HAND LEVER CONTROL	1	7584 -
34	4E-06001	Y	SHIFT CONTROL ROD	1	7584 -

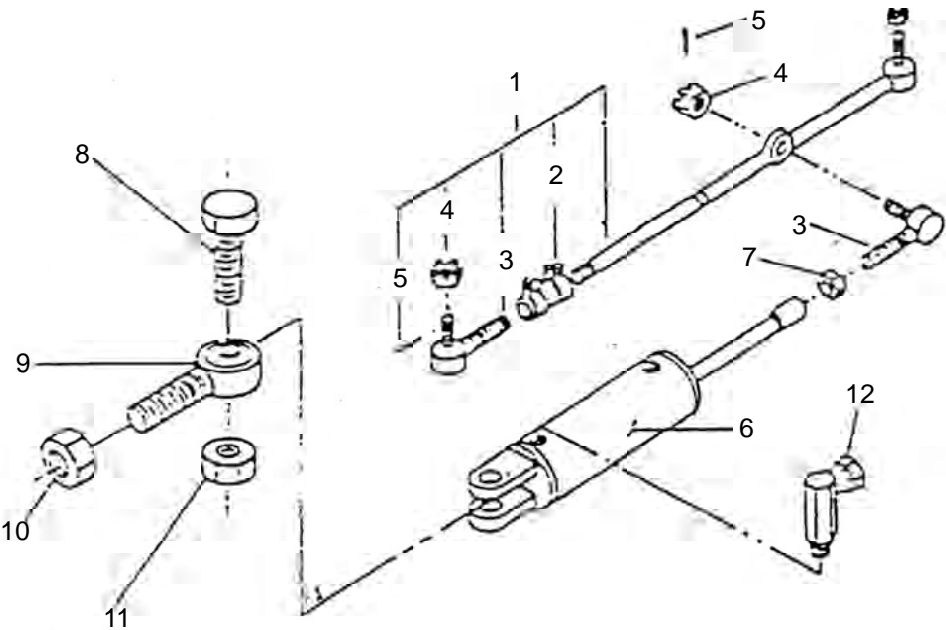
**GROUP 4.020 STEERING SYSTEM**



**GROUP 4.020 STEERING SYSTEM**

IND	PART NO	COMMON to 500	DESCRIPTION	QTY	SERIAL NO
1	4C-05205	Y	STEERING WHEEL	1	7584 -
N/S	HA-24982	Y	NUT, STEERING WHEEL	1	7584-
2	4C-05202	Y	KNOB, STEERING WHEEL	1	7584-
	HA-08017	Y	BOLT, 5/16-18 X 2¼	1	7584 -
	HA-08981	Y	LOCKNUT, 5/16-18	1	7584 -
3	4C-05201	Y	CAP, STEERING WHEEL	1	7584 -
4	81-79700	Y	DECAL, SNOW FLAKE	1	7584 -
5	HA-10013	Y	SCREW,HEX HD,3/8-16 X 1¼	2	7584 -
	HA-10862	Y	LOCKWASHER,3/8	2	7584 -
6	4C-0500A	Y	CONTROL,POWER STEERING, CHAR-LYNN/EATON	1	7584 - 7753
	KZ-3763B	Y	SEAL KIT, STEERING CONTROL, CHAR-LYN/EATON	1	7584 - 7753
	4C-05100	N	CONTROL,POWER STEERING, SAUER	1	7754 -
	4C-0510A	N	SEAL KIT, STEERING CONTROL, SAUER	1	7754 -
7	4C-79980	Y	COLUMN, STEERING CONTROL	1	7584 -
8	F1-75040	Y	ADAPTER, 45° ELBOW, 08MB X 06FS	4	7584 -

**GROUP 4.020 STEERING SYSTEM**

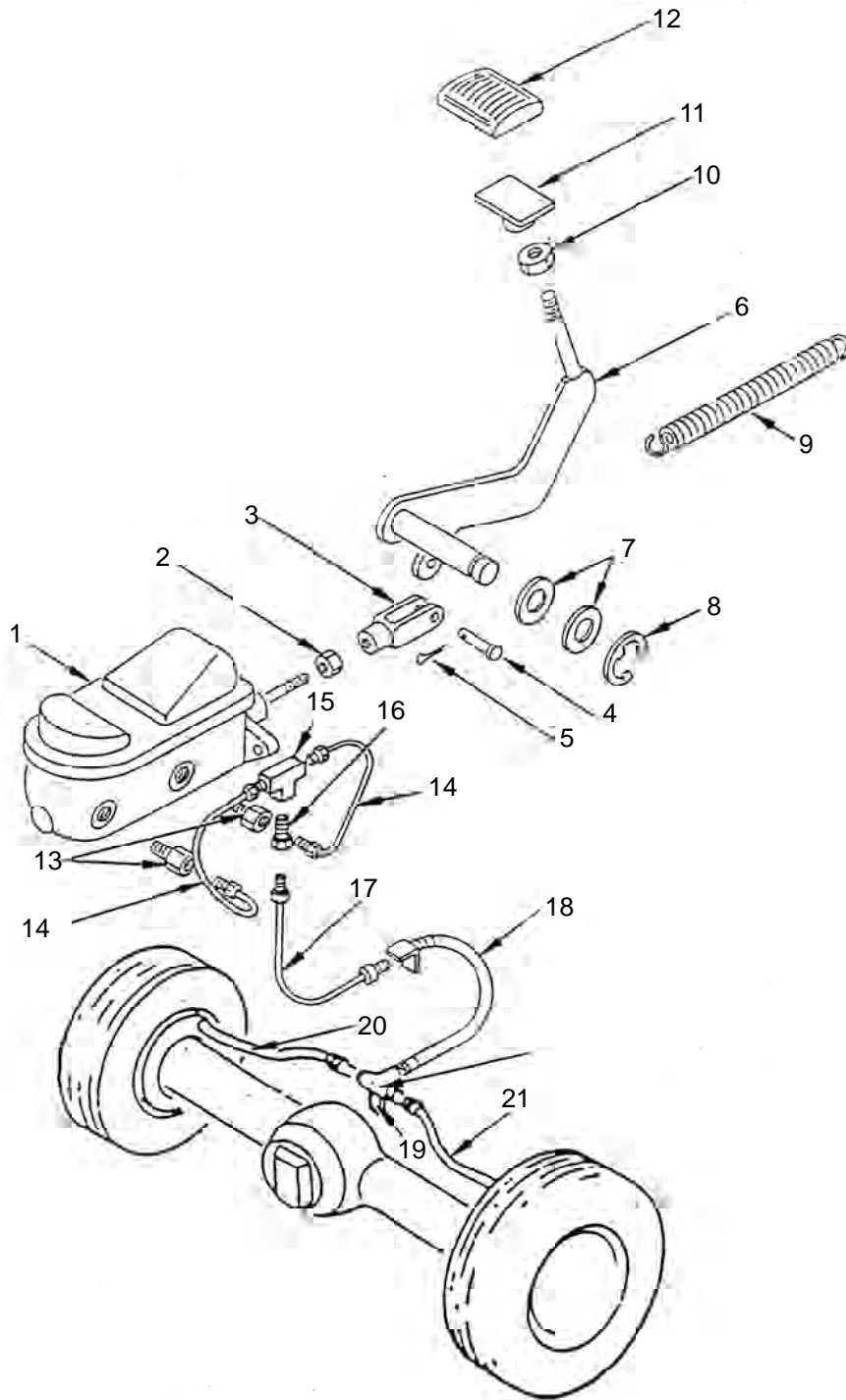


**GROUP 4.020 STEERING SYSTEM**

IND	PART NO	COMMON to 500	DESCRIPTION	QTY	SERIAL NO
1	4D-18971	Y	TIE ROD (INCLUDES 2,3,4,5)	1	7584 -
2	4D-01000	Y	SLEEVE & CLAMP ASSY., TIE ROD	1	7584 -
3	4J-01000	Y	ROD END, LEFT HAND THREAD	2	7584 -
4	HA-17985	Y	NUT, HEX SLOTTED, 9/16-18	2	7584 -
5	HA-52711	Y	COTTER PIN, 1/8 X 1	2	7584 -
6	2X-2008B	Y	CYLINDER, HYDRAULIC, 2 X 8	1	7584 -
	2X-2008L	Y	SEAL KIT FOR 2X-2008B CYLINDER	1	7584 -
7	HD-56981	Y	HEX NUT, LEFT HAND THREAD, 7/8-18	1	7584 -
8	HA-18018	Y	SCREW, HEX HEAD, 5/8-11 X 1½	1	7584 -
9	4J-04040	Y	ROD END, MALE, TWO PIECE, 5/8-18	1	7584 -
10	HA-19982	Y	NUT, HEX, THIN, 5/8-18	1	7584 -
11	HA-18986	Y	NUT, TRI-LOCK, HEX, 5/8-11	1	7584 -
12	F2-69050	Y	FITTING, 90° ELBOW, 06MP X 04FS	2	7584 -



**GROUP 4.030 BRAKING SYSTEM**



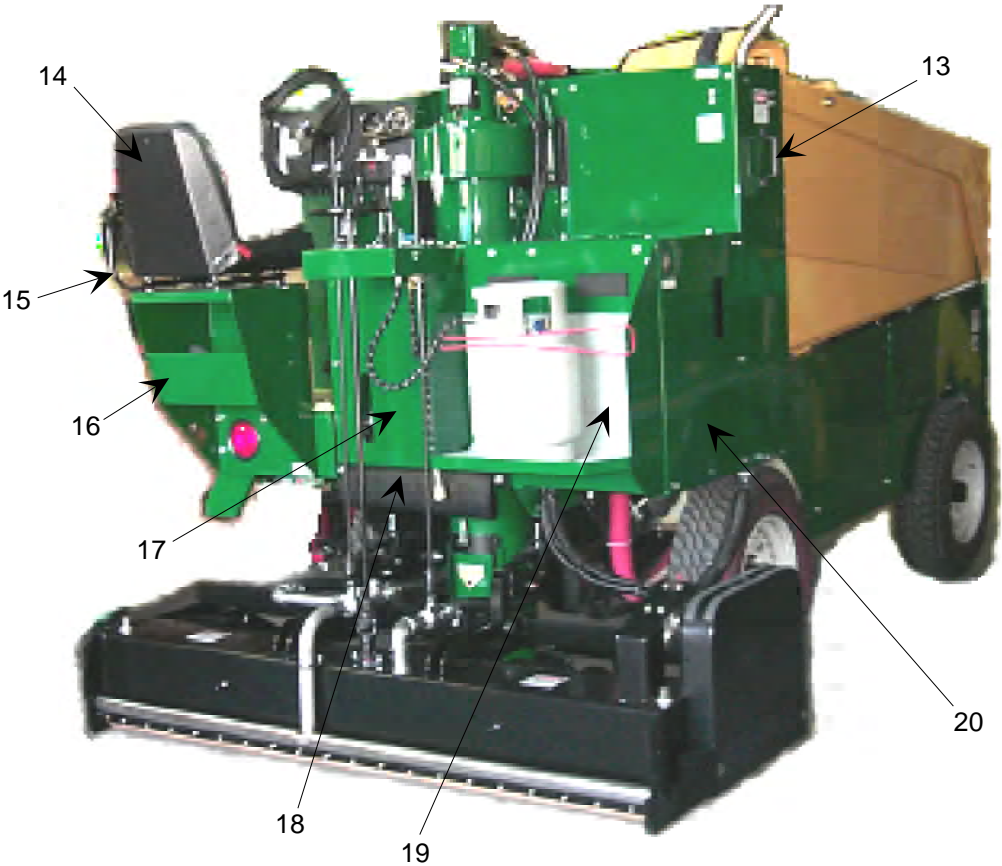
**GROUP 4.030 BRAKING SYSTEM**

IND	PART NO	COMMON to 500	DESCRIPTION	QTY	SERIAL NO
1	4M-31560	Y	MASTER CYLINDER	1	7584 -
	KZ-31560	Y	REBUILT KIT, MASTER CYLINDER		7584 -
	HA-10014	Y	SCREW, HEX HEAD, 3/8-16 X 1½	2	7584 -
	HA-10860	Y	WASHER, FLAT, 3/8	2	7584 -
	HA-10862	Y	LOCKWASHER, 3/8	2	7584 -
	HA-10980	Y	NUT, HEX, 3/8-16	2	7584 -
2	HA-11980	Y	NUT, HEX, 3/8-24	1	7584 -
3	36-01570	Y	YOKE, CLEVIS, 3/8-24	1	7584 -
4	HA-63312	Y	PIN, CLEVIS 3/8 X 31/32	1	7584 -
5	HA-51711	Y	COTTER PIN, 3/32 X 1	1	7584 -
6	4F-34220	Y	BRAKE PEDAL ARM	1	7584 -
7	HA-30861	Y	WASHER, FLAT, 1	2	7584 -
8	HA-7064A	Y	E-RING, EXTERNAL, 1	1	7584 -
9	1L-0520A	Y	BRAKE RETURN SPRING	1	7584 -
10	HA-18980	Y	HEX NUT, 5/8-11	1	7584 -
11	4M-40480	Y	PEDAL, BRAKE	1	7584 -
12	4M-40490	Y	BRAKE PEDAL COVER	1	7584 -
13	4M-40402	Y	ADAPTER, BRAKE LINE	2	7584 -
14	4P-30800	Y	BRAKE LINE TUBE ASSY, 8	2	7584 -
15	4M-40400	Y	TEE, BRAKE LINE, 3/16	1	7584 -
16	4M-40401	Y	BRAKE LINE ADAPTER	1	7584 -
17	4P-34000	Y	BRAKE LINE TUBE ASSY, 40	1	7584 -
18	4M-17580	Y	BRAKE HOSE ASSY	1	7584 -
19	5T-73680	Y	BRACKET, 1-7/8 X 1 X 1/8	1	7584 -
20	4P-32000	Y	BRAKE LINE TUBE ASSY, 20	1	7584 -
21	4P-33000	Y	BRAKE LINE TUBE ASSY, 30	1	7584 -
	1L-33500	Y	BRAKE SPRING SET	2	7584 -
	1J-7292B	Y	BRAKE SHOES (SET)	1	7584 -

**GROUP 5.010 INSTRUCTION PLATES & NAMEPLATES**

IND	PART NO	COMMON to 500	DESCRIPTION	QTY	SERIAL NO
	81-16040	Y	ZAMBONI NAMEPLATE	1	7584 -
	HF-01304	Y	STAINLESS STEEL SCREW	6	7584 -
	81-18440	Y	BOARD BRUSH SERIAL NUMBER	1	7584 -
	81-18790	Y	SERIAL NUMBER & PATENT	1	7584 -
	83-0400J	Y	CONTROL RODS	1	7584 -
	81-79550	Y	TIRE PRESSURE, 75 PSI	4	7584 -
	81-41370	Y	HYDRAULIC OIL	1	7584 -
	81-74180	Y	WARNING,USE UNLEADED GAS (WITH CAT CONV)	1	7584 -
	81-75500	Y	DECAL, DANGER...HANDS & FEET	3	7584 -
	83-75520	Y	BLADE ANGLE	1	7584 -
	81-7555A	Y	UNLEADED GASOLINE	1	7584 -
	83-75570	Y	ICE-MAKING WATER	1	7584 -
	83-75580	Y	WASH WATER	1	7584 -
	83-77070	Y	CONTROL VALVE, LEFT	1	7584 -
	83-77075	Y	CONTROL VALVE, RIGHT	1	7584 -
	81-21260	Y	CAUTION-EXPANSION TANK CAP	1	7584 -
	83-0500A	Y	FUSE PANEL	1	7584 -
	81-0500B	Y	HYDRAULIC FILTER INFORMATION	1	7584 -
	81-0510A	Y	HYDROSTAT BY-PASS	1	7584 -
	81-2000A	Y	DANGER... DO NOT OPERATE..	1	7584 -
	81-2000B	Y	DANGER... USE SAFETY STAND...	1	7584 -
	81-2000C	Y	DANGER... MOVING PARTS... (4 X 4)	5	7584 -
	81-2000D	Y	DANGER... NO STEPPING...	2	7584 -
	81-2000N	Y	DANGER... NO RIDERS...	2	7584 -
	81-2000H	Y	DANGER... ROTATING PARTS...	2	7584 -
	81-2000F	Y	DANGER... MOVING PARTS... (3 X 3)	1	7584 -
	81-2000P	Y	DANGER... EXHAUST GASES...	1	7584 -
	81-06200	Y	ENGINE RPM, ELECTRONIC GOVERNOR	1	7584 -
	81-50010	Y	OPERATING INSTRUCTIONS	1	7584 -
	81-50015	Y	KEY SWITCH	1	7584 -
	81-79100	Y	SWITCHES	1	7584 -
	81-79300	Y	WARNING LIGHTS	1	7584 -
	81-50525	N	CHECK ENGINE LIGHT	1	7584 -
	81-50526	N	GREEN MEANS GO	1	7584 -
	81-50527	N	COOLANT ALARM	1	8355 -

**GROUP 5.020 BODY PANELS**



**GROUP 5.020 BODY PANELS**

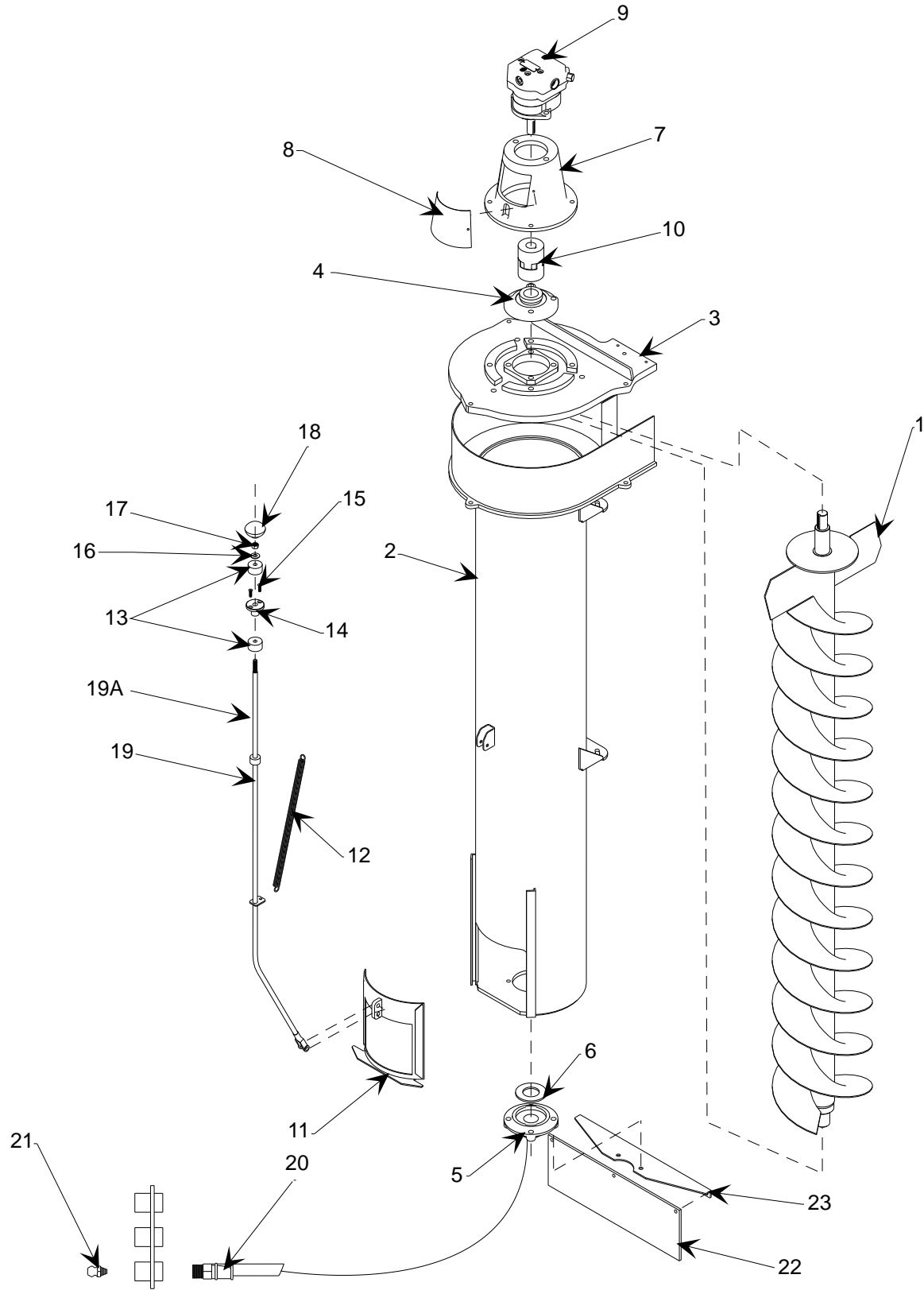
IND	PART NO	COMMON		DESCRIPTION	QTY	SERIAL NO
			to 500			
1	46-17540	N		FRONT PANEL	1	7584-
	HA-10009	Y		SCREW, HEX HEAD, 3/8-16-3/4	8	7584-
	HA-10860	Y		WASHER, FLAT, 3/8	8	7584-
	HA-10981	Y		NUT, HEX, NY-LOCK, 3/8	8	7584-
3	8T-15805	Y		BUMPER	1	7584-
	HA-14213	Y		CARRIAGE SCREW, 1/2-13 X 1 1/4	4	7584-
	HA-14986	Y		NUT, HEX, TRI-LOCK, 1/2-13	4	7584-
4	8R-16800	Y		GUIDE WHEEL	1	7584-
	HP-32894	Y		WASHER, FLAT, NYLON	1	7584-
	HF-10013	Y		SCREW, HEX HEAD, 3/8-16 X 1-1/4	1	7584-
	HF-10981	Y		NYLON NUT, HEX LOCK, 3/8-16	1	7584-
	HF-08860	Y		WASHER, FLAT, 5/16	2	7584-
5	15-15520	Y		SHAFT & STRAP, GUIDE WHEEL	1	7584-
6	46-25521	N		PANEL, FRONT DOOR, LH	1	7584-
7	46-25541	N		PANEL, FRONT DOOR, RH	1	7584-
8	47-17720	Y		HINGE, DOOR PANEL	2	7584-
	HA-04706	Y		SCREW, FILLISTER HEAD, #10-32 X 1/2	16	7584-
	HA-04981	Y		NUT, LOCK, #10-32	16	7584-
	1L-0520C	Y		SPRING, DOOR	2	7584-
9	46-15535	Y		PANEL, REAR, LH	1	7584-
10	46-15540	Y		PANEL, REAR, RH	1	7584-
	HA-08009	Y		SCREW, HEX HD, 5/16-18 X 3/4	8	7584-
	HA-08862	Y		WASHER, FLAT, 5/16	8	7584-
	HA-08981	Y		NUT, HEX, LOCK, 5/16	8	7584-
	8T-12540	Y		BUMPER, DOOR	2	7584-
	HA-04711	Y		SCREW, FILLISTER HEAD, #10-32 X 1	2	7584-
	HD-05862	Y		FLAT WASHER, SPECIAL	2	7584-
	HA-04981	Y		NUT, HEX, LOCK, #10-32	2	7584-
11	47-17840	Y		LATCH, LEFT SIDE, DOOR	1	7584-
12	47-17850	Y		LATCH, RIGHT SIDE, DOOR	1	7584-
13	4A-40510	Y		HAND GRIP	2	7584-
14	7H-72900	Y		SEAT ASSEMBLY	1	7584-
15	7H-1524C	Y		HAND RAIL	1	7584-
16	7H-05220	Y		SUPPORT, OPERATOR'S SEAT	1	7584-
17	46-15394	Y		REAR PANEL, LEFT	1	7584-
18	49-42460	Y		FLAP, REAR PANEL	1	7584-
	1M-42100	Y		STRAP, FLAP RETAINER	1	7584-
19	46-05230	Y		PANEL, FUEL TANK MOUNTING (LPG)	1	7584-
	46-15400	Y		REAR PANEL, RIGHT SIDE (GASOLINE)	1	7584-
20	46-15212	Y		PANEL, RIGHT, TOP AND SIDE	1	7584-

## HARDWARE WITH 17-20:

17 - (4) A, (4) B, (3) C, (3) D, (5) M  
 18 - (2) E, (2) F, (2) G, (2) H, (2) I, (2) B  
 19 - (7) A, (7) B, (7) E, (7) F, (7) M  
 20 - (7) A, (7) B, (7) C, (7) D, (3) J, (3) K, (6) M

A	HF-08011	Y		SCREW, HEX HEAD, 5/16-18 X 1, SS		7584-
B	HF-08862	Y		LOCKWASHER, SS, 5/16		7584-
C	HF-06860	Y		WASHER, FLAT, 1/4		7584-
D	HD-08862	Y		WASHER, FLAT, NYLON, .318IDX.751ODX062THK		7584-
E	HD-08865	Y		WASHER, FLAT, NYLON, .344ID X .875OD X .062THK		7584-
F	HF-08860	Y		WASHER, FLAT, 5/16, S.S.		7584-
G	HD-08007	Y		STUD, 5/16-18 X 1-3/4, ALL THD		7584-
H	HF-08903	Y		SS HEX NUT, 5/16-18		7584-
I	HA-08990	Y		WINGNUT, 5/16-18		7584-
K	HF-08009	Y		SCREW, HEX HEAD, 5/16-18 X 3/4, SS		7584-
L	HA-08981	Y		NUT, HEX LOCK, 5/16-18		7584-
M	HA-08900	Y		NUT, SPEED "J" TYPE, 5/16		7584-

**GROUP 6.010 VERTICAL CONVEYOR**



**GROUP 6.010 VERTICAL CONVEYOR**

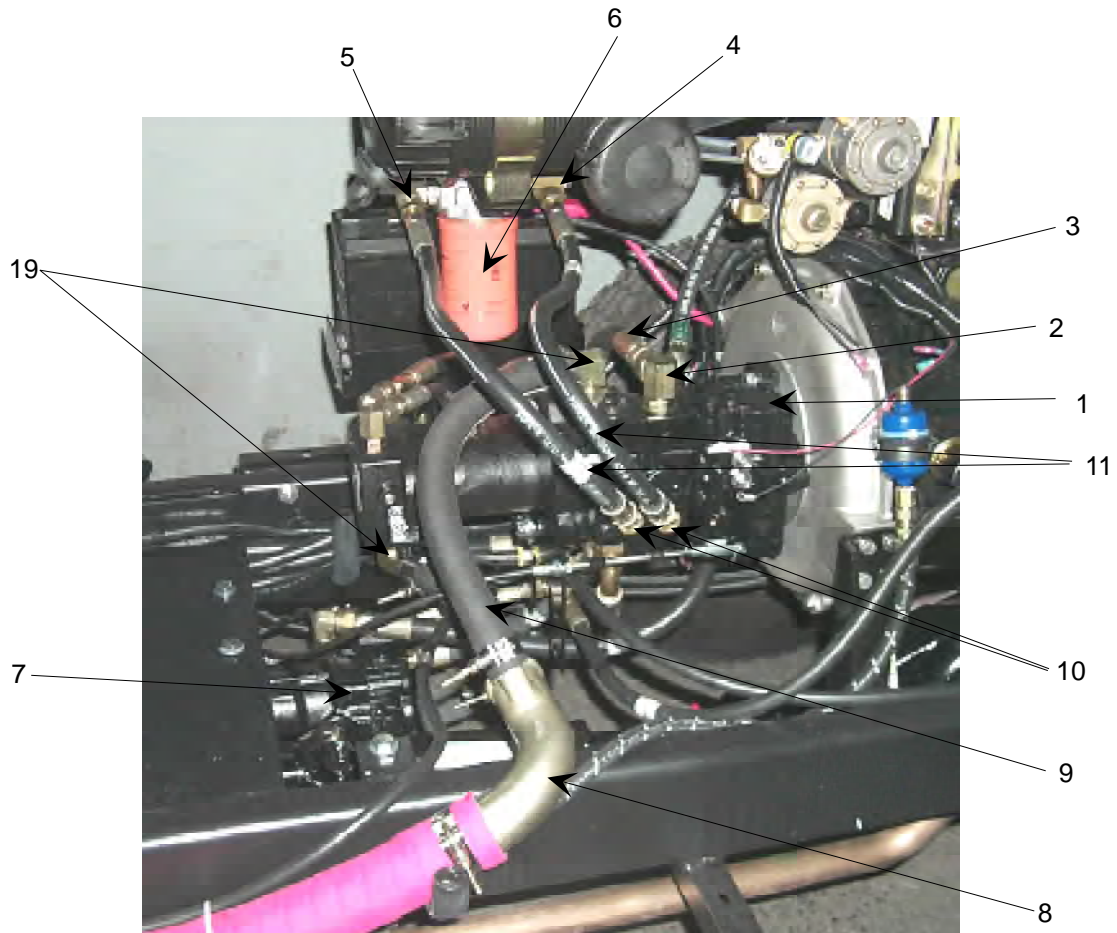
IND	PART NO	COMMON		DESCRIPTION	QTY	SERIAL NO
			to 500			
1	5A-69740	Y		VERTICAL CONVEYOR	1	7584 -
2	5A-06020	Y		HOUSING, VERTICAL CONVEYOR	1	7584 -
	HA-10011	Y		SCREW, HEX HEAD, 3/8-16 X 1	4	7584 -
	HA-10984	Y		K-LOCKNUT, 3/8-16	4	7584 -
3	5A-05100	Y		COVER, SLINGER HOUSING	1	7584 -
	HF-1501S	Y		SCREW, HEX HEAD, 1/2-20 X 3/8	3	7584 -
	HA-10030	Y		SCREW, HEX HEAD, 3/8-16 X 7	3	7584 -
	HA-10862	Y		WASHER, LOCK, 3/8	3	7584 -
	HA-10860	Y		WASHER, FLAT, 3/8	6	7584 -
	HA-10980	Y		NUT, HEX, 3/8-16	3	7584 -
4	1X-36642	Y		BEARING, VERTICAL CONVEYOR, TOP	1	7584 -
	HE-10003	Y		SCREW, HEX HEAD, SHOULDER, 3/8-16 X 1 1/2	4	7584 -
	HA-10862	Y		WASHER, LOCK, 3/8	4	7584 -
	HA-10860	Y		WASHER, FLAT, 3/8	4	7584 -
	1Z-1669B	Y		GREASE FITTING, 1 3/4 LONG	1	7584 -
5	1X-36642	Y		BEARING, VERTICAL CONVEYOR, BOTTOM	1	7584 -
	HA-10014	Y		SCREW, HEX HEAD, 3/8-16 X 1 1/2	4	7584 -
	HA-10862	Y		WASHER, LOCK, 3/8	4	7584 -
6	HA-30870	Y		WASHER, SAE, FLAT, 1 1/2	1	7584-
7	3M-11000	Y		MOTOR MOUNT	1	7584 -
	HA-10011	Y		SCREW, HEX HEAD, 3/8-16 X 1	4	7584 -
	HA-10862	Y		WASHER, LOCK, 3/8	4	7584 -
	HA-10860	Y		WASHER, FLAT, 3/8	4	7584 -
8	3M-11020	Y		COVER PLATE	1	7584 -
	HF-04206	Y		SCREW, SS, BUTTON HEAD, 10-32 X 1/2	2	7584 -
	HA-03862	Y		WASHER, LOCK, #10	2	7584 -
9	2M-75090	Y		MOTOR, HYDRAULIC	1	7584 -8346*
	2M-0402B	Y		SEAL, 50PSI (VICKERS)	1	7584 -8346*
	2M-75700	N		MOTOR, HYDRAULIC (CASAPPA)	1	8347*-
	2M-7570B	N		KIT, SEAL (CASAPPA)	1	8347*-
	KZ-7570V	N		KIT, VERT CONVEYOR MOTOR (CASAPPA)	1	7584 -8346*
	*S/Ns 8328, 8331-8333, 8335 & 8337 ALSO USE 2M-75700					
	HA-10013	Y		SCREW, HEX HEAD, 3/8-16 X 1 1/4	2	7584 -
10	2A-0450D	Y		COUPLING	1	7584 -
	2A-0450C	Y		INSERT, URETHANE SPIDER, SHOCK DAMPENING	1	7584 -

**GROUP 6.010 VERTICAL CONVEYOR**

IND	PART NO	COMMON		DESCRIPTION	QTY	SERIAL NO
			to 500			
11	5C-69630	Y		SNOW BREAKER	1	7584 -
	HA-10014	Y		SCREW, HEX HEAD, 3/8-16 X 1½	1	7584 -
	HA-10981	Y		NUT, HEX, NY-LOCK, 3/8-16	1	7584 -
12	1L-75450	Y		SPRING, SNOW BREAKER	1	7584 -
	HA-1101S	Y		ANCHOR BOLT	1	7584 -
	HA-77100	Y		RING	1	7584 -
13	8T-75380	Y		BUMPER, SNOW BREAKER, ROD	2	7584 -
14	13-19925	Y		BUSHING, SNOW BREAKER ROD	1	7584 -
15	HF-04309	Y		SCREW, SOCKET FLAT HEAD, 10-32 X 3/4	2	7584 -
16	HA-10860	Y		WASHER, FLAT, 3/8	1	7584 -
17	HA-11980	Y		NUT, HEX, 3/8-24	1	7584 -
18	4B-40830	Y		KNOB, CONTROL ROD	1	7584 -
19	5C-16930	Y		ROD, SNOW BREAKER CONTROL	1	7584 -
19A	5C-16920	Y		ROD, EXTENSION	1	7584 -
20	PL-0135B	Y		HOSE, LUBRICATION, 1/8 X 53	1	7584 -
21	1Z-01580	Y		GREASE FITTING, 1/8 NPT	3	7584 -
22	5A-06036	Y		SNOW FLAP RUBBER	1	7584 -
23	5A-06037	Y		BRACKET, SNOW FLAP	1	7584 -
	HA-06009	Y		SCREW, HEX HEAD, ¼-20 X 3/4	3	7584 -
	HA-06862	Y		WASHER, LOCK, ¼	3	7584 -
	HA-06860	Y		WASHER, SAE, FLAT, ¼	6	7584 -
	HA-06980	Y		NUT, HEX, ¼-20	3	7584 -
N/S	15-02116	Y		KEY , ¼ SQUARE X 1½	1	7584 -
N/S	15-01116	Y		KEY , 3/16 SQUARE X 1½	1	7584 -
N/S	5C-16920	Y		EXTENSION, SNOW BREAKER	1	7584 -



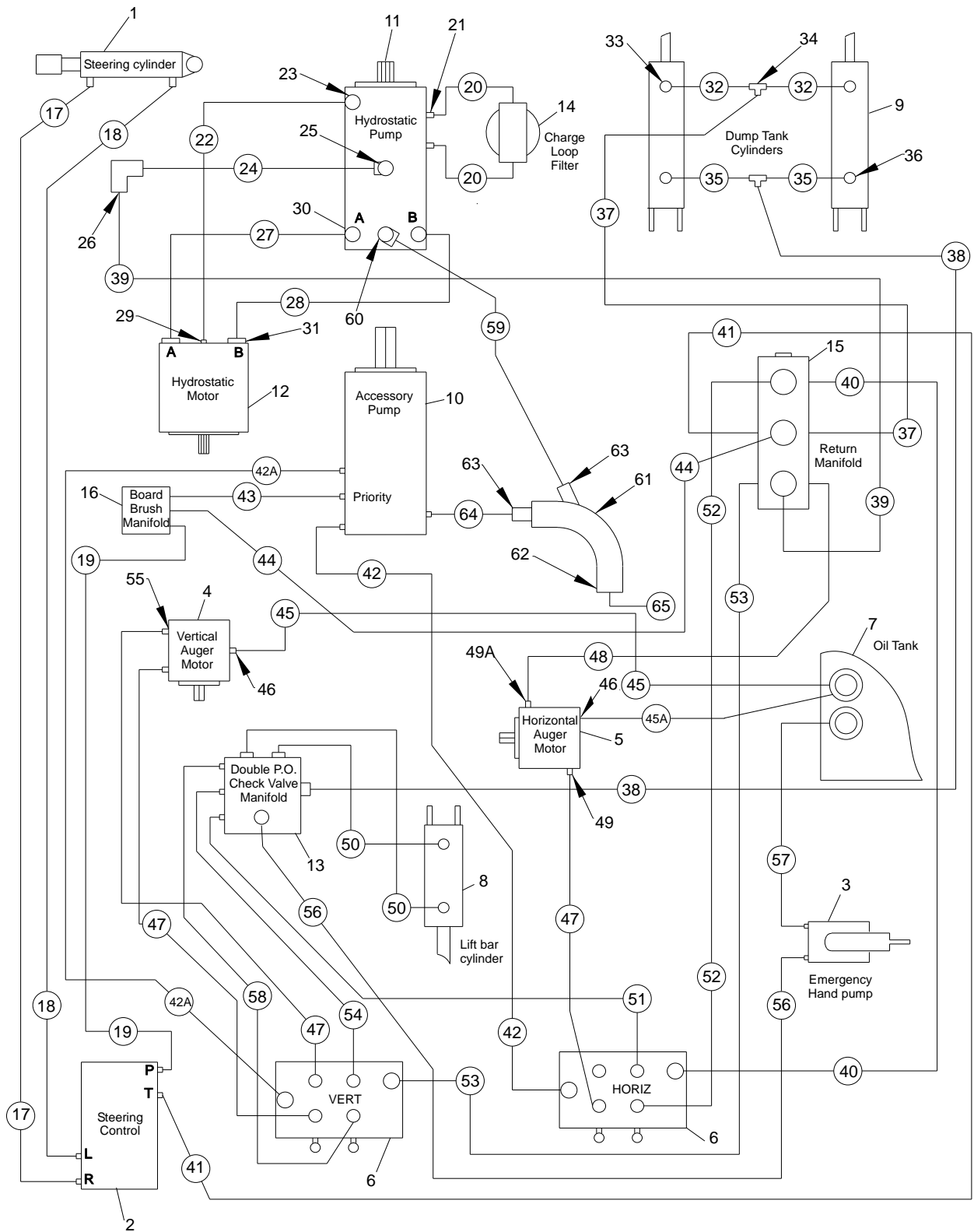
**GROUP 7.010 HYDROSTATIC DRIVE SYSTEM**



**GROUP 7.010 HYDROSTATIC DRIVE SYSTEM**

IND	PART NO	COMMON to 500	DESCRIPTION	QTY	SERIAL NO
1	2P-05860	N	PUMP, HYDROSTATIC, M46	1	7584 -
	KZ-0586P	N	KIT, SEAL, SPOOL, M46 PUMP	1	7584 -
	2P-05863	N	KIT, SHAFT SEAL, M46 PUMP	1	7584 -
	KZ-0587S	N	KIT, SHAFT (15T LONG X 13T)	1	7584 -
N/S	F1-64400	Y	FITTING, STRAIGHT, 12MB X 12FS	1	7584 -
2	F1-69120	Y	FITTING, 90° ELBOW, 12MB X 12FS	1	7584 -
3	PM-6080B	Y	HOSE, 3/4 X 20.0, 12MP X 12MP	1	7584 -
4	F1-7369A	Y	ADAPTER, 90° ELBOW, WITH TEST PORT	1	7584 -
	FD-18060	Y	PLUG, 04 MP	1	7584 -
5	F1-69110	Y	ADAPTER, 90° ELBOW, 12MB X 08FS	2	7584 -
6	3R-07000	Y	FILTER ASSEMBLY, MANIFOLD & ELEMENT	1	7584 -
	3R-07001	Y	FILTER ELEMENT	1	7584 -
	3R-07002	Y	FILTER INDICATOR	1	7584 -
	3R-07003	Y	FILTER HEAD	1	7584 -
7	2M-06020	N	MOTOR, HYDROSTATIC, M44 W/LOOP FLUSHING	1	7584 -
8	23-05525	N	MANIFOLD, HYDRAULIC OIL SUPPLY	1	7584 -
N/S	5P-05250	N	RUBBER GUARD W/ 3EA CABLE TIES	1	7584 -
9	PX-3071A	N	HOSE, 1 X 17.5, SUCTION	1	7584 -
	27-2202A	Y	CLAMP, T-BOLT, 1 INCH HOSE	2	7584 -
10	F1-75080	Y	FITTING, 45° ELBOW, 10MB X 08FS	2	7584 -
11	PM-4116B	Y	HOSE, 1/2 X 29.0, 08MP X 08MP	2	7584 -
12	F1-69090	N	FITTING, 90° ELBOW, 08FS X 10MB	1	7584 -
13	PC-4086B	Y	HOSE, HI-PRESS., 1 X 21.5, 12TN X 12F745	1	7584 -
14	PC-4073B	Y	HOSE, HI-PRESS., 1 X 18.0, 12TN X 12F745	1	7584 -
15	F1-67390	Y	FITTING, 90° ELBOW, 12MB X 12MJ	2	7584 -
16	F1-69100	Y	FITTING, 90° ELBOW, 10MB X 12FS	1	7584 -
17	PM-6092B	Y	HOSE, 3/4 X 23.0, 12MP X 12MP	1	7584 -
18	PM-3164C	Y	HOSE, 3/8 X 41.0, 06MP X 06FJTN	1	7584 -
19	FW-11300	Y	90° ELBOW, 1 INCH HOSE X 16MB	2	7584 -
20	F1-69050	Y	FITTING, 90° ELBOW, 08MB X 06FS	1	7584 -
N/S	F1-62360	Y	ADAPTER, 16MB X 12MJ	2	7584 -

### GROUP 7.020 HYDRAULIC SYSTEM



**GROUP 7.020 HYDRAULIC SYSTEM**

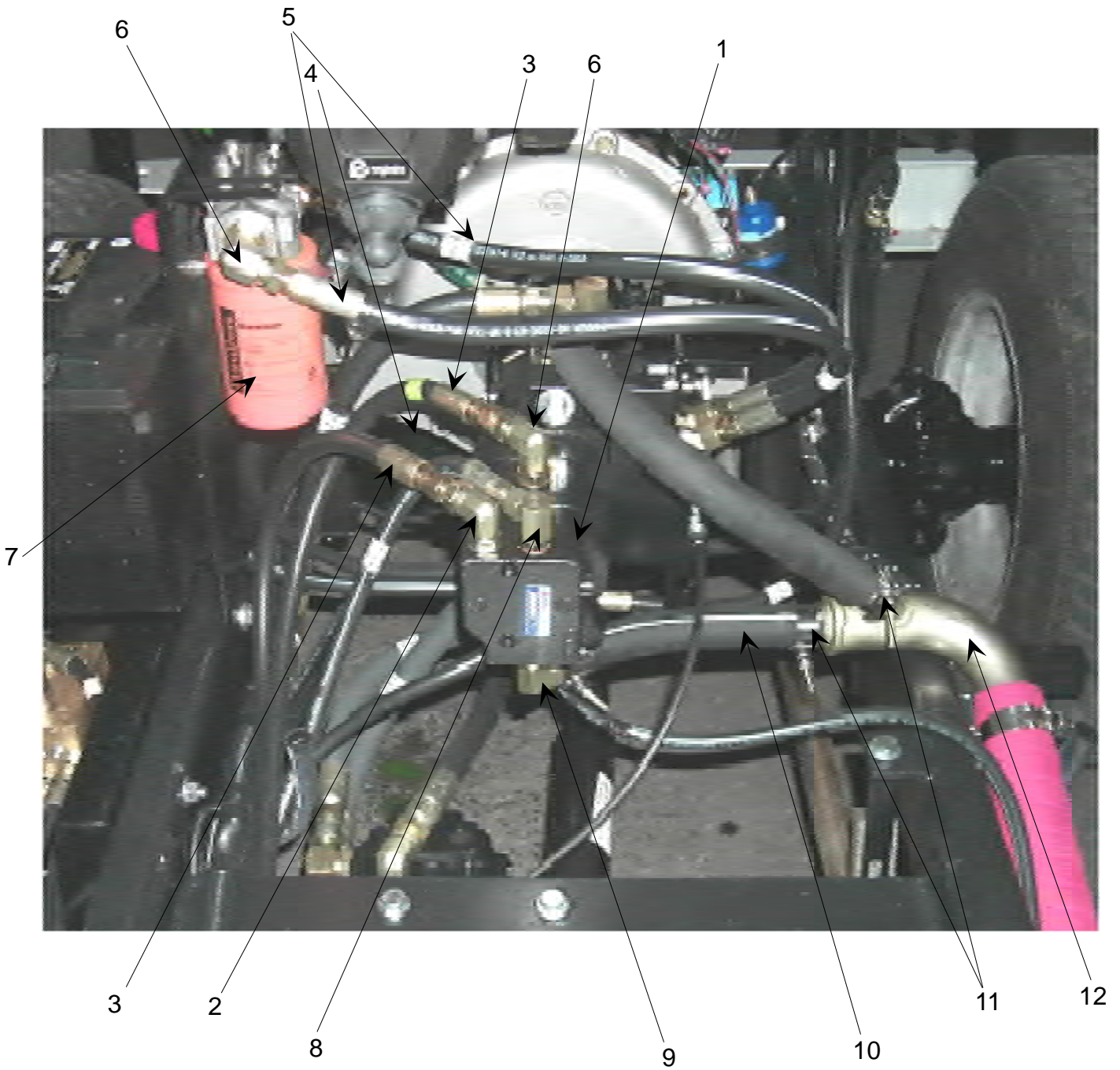
IND	PART NO	COMMON to 500	DESCRIPTION	QTY	SERIAL NO
1	2X-2008B	Y	STEERING CYLINDER	1	7584 -
2	4C-05100	Y	STEERING CONTROL	1	7584 -
	4C-0510A	Y	SEAL KIT, STEERING CONTROL	1	7584 -
3	2P-20000	Y	HAND PUMP	1	7584 -
4	2M-75090	Y	MOTOR VERTICAL CONVEYOR	1	7584 - 8346*
	2M-75700	N	MOTOR VERTICAL CONVEYOR (CASAPPA)	1	8347*-
	KZ-7570V	N	KIT, VERT CONVEYOR MOTOR (CASAPPA) KIT INCLUDES ITEMS 4, 46, & 55	1	7584 - 8346*
	*S/Ns 8328, 8331-8333, 8335 & 8337 ALSO USE 2M-75700				
5	2M-0403A	Y	MOTOR, HORIZONTAL CONVEYOR (CONDITIONER)	1	7584 - 8641
	2M-75700	N	MOTOR, HORIZONTAL CONVEYOR (CASAPPA)	1	8642 -
	2M-7570B	N	KIT, SEAL (CASAPPA)	1	8642 -
	KZ-7570H	Y	KIT, HORIZ MOTOR, CASAPPA	1	7584 - 7641
6	2V-75060	Y	VALVE, HYDRAULIC CONTROL	2	7584 -
7	7A-15806	Y	HYDRAULIC OIL TANK	1	7584 -
8	2X-3005A	Y	CONDITIONER LIFT BAR CYLINDER	1	7584 -
9	2X-2514A	Y	DUMP TANK CYLINDER	2	7584 -
10	2P-06500	N	HYDRAULIC DOUBLE PUMP	1	7584 -
11	2P-05860	Y	HYDROSTATIC PUMP	1	7584 -
12	2M-06020	Y	HYDROSTATIC MOTOR	1	7584 -
13	2V-44596	Y	MANIFOLD, CHECK VALVE W/FITTINGS	1	7584 -
14	3R-07000	Y	FILTER ASSY. HYDRAULIC SYSTEM, CHARGE LOOP	1	7584 -
15	7A-15890	Y	MANIFOLD, OIL TANK RETURN	1	7584 -
16	2V-9035A	Y	MANIFOLD, BOARD BRUSH	1	7584 -
17	PM-1692B	Y	HOSE, 1/4 X 168.0, 06MP X 04MP	1	7584 -
18	PM-1705B	Y	HOSE, 1/4 X 174.0, 06MP X 04MP	1	7584 -
19	PM-3540B	Y	HOSE, 3/8 X 135.0, 06MP X 06MP	1	7584 -
20	PM-4116B	Y	HOSE, 1/2 X 29.0, 08MP X 08MP	2	7584 -
21	F1-75080	Y	FITTING, 45° ELBOW, 10MB X 08FS	2	7584 -
22	PM-6092B	Y	HOSE, 3/4 X 23.0, 12MP X 12MP	1	7584 -
23	F1-64400	Y	FITTING, STRAIGHT, 12MB X 12FS	1	7584 -
24	PM-6080B	Y	HOSE, 3/4 X 20.0, 12MP X 12MP	1	7584 -
25	F1-69120	Y	FITTING, 90° ELBOW, 12MB X 12FS	1	7584 -
26	F2-70130	N	FITTING, 90° ELBOW, 12FP X 12FS	1	7584 -
27	PC-4073B	Y	HOSE, HI-PRESS., 1 X 18.0, 12TN X 12F745	1	7584 -
28	PC-4086B	Y	HOSE, HI-PRESS., 1 X 21.5, 12TN X 12F745	1	7584 -
29	F1-69100	Y	FITTING, 90° ELBOW, 10MB X 12FS	1	7584 -
30	F1-62360	Y	FITTING, STRAIGHT, 16MB X 12MJ	2	7584 -
31	F1-67390	Y	FITTING, 90° ELBOW, 12MB X 12MJ	2	7584 -
32	P6-1200B	Y	HOSE, LO-PRESS., 3/8 X 50.0, 06MP X 06MP	2	7584 -
33	F2-69090	Y	FITTING, 90° ELBOW, 08MP X 06FS	2	7584 -
34	F2-81030	Y	FITTING, TEE, 06FS X 06FS X 06FS	2	7584 -
35	PM-1152B	N	HOSE, 1/4 X 38.0, 06MP X 06MP	2	7584 -
36	F2-75080	Y	FITTING, 45° ELBOW, 08MP X 06FS	2	7584 -
37	P6-1506A	Y	HOSE, LO-PRESS., 3/8 X 122.0, 06MP X 06MP	1	7584 -
38	PM-1454A	Y	HOSE, 1/4 X 109.0, 06MP X 06MP	1	7584 -
39	PM-6456B	Y	HOSE, 3/4 X 114.0, 12MP X 12MP	1	7584 -
40	PM-4084C	Y	HOSE, 1/2 X 21.0, 08MB X 08MB90	1	7584 -
41	PM-3252B	Y	HOSE, 3/8 X 63.0, 06MP X 06MP	1	7584 -
42	PM-4500A	Y	HOSE, 1/2 X 125.0, 08MB X 08MP	1	7584 -
42A	PM-4500A	Y	HOSE, 1/2 X 125.0, 08MB X 08MP	1	7584 -
	*IF MACHINE IS EQUIPPED WITH AUTOMATIC SNOWBREAKER, 42A IS HOSE BELOW:				
	PM-4488B	Y	HOSE, 1/2 X 122.0, 08MP X 08MP	1	7584 -
43	PM-3164C	Y	HOSE, 3/8 X 41.0, 06MP X 06FJTN	1	7584 -

**GROUP 7.020 HYDRAULIC SYSTEM**

IND	PART NO	COMMON to 500	DESCRIPTION	QTY	SERIAL NO
44	PM-3436D	Y	HOSE, 3/8 X 112.0, 06MP X 06MP	1	7584 -
45	PM-3260A	Y	HOSE, 3/8 X 65.0, 06MP X 06MP90	1	7584 - 8641
	F1-18030	N	PLUG, MALE O-RING BOSS, 06MP (TANK END)	1	8642 -
	KZ-72380	N	KIT, CASE DRAIN, HYD MOTORS	1	8642 -
45A	KZ-72380	N	KIT, CASE DRAIN, HYD MOTORS	1	8347 -
N/S	F2-81130	N	FITTING, TEE, 06FS X 06FS X06MP	1	8347 -
46	F2-69080	Y	FITTING,90° SHORT ELBOW, 06MP X 06FS	1	7584 - 8641
	F1-18010	N	PLUG, MALE O-RING BOSS, 04MB	1	8642 -
47	PM-4260B	Y	HOSE, 1/2 X 65.0, 08MB X 08MP	3	7584 -
48	PM-6158B	Y	HOSE, 3/4 X 45.0,12MP X 12MP	1	7584 -
49	F1-69110	N	FITTING, 90° ELBOW, 12MB X 08FS	1	7584 -
49A	F1-69120	Y	FITTING, 90° ELBOW, 12MB X 12FS	1	7584 -
50	PM-1144D	Y	HOSE, 1/4 X 36.0,06MP X 06MP	2	7584 -
51	PM-3132C	Y	HOSE, 3/8 X 33.0, 08MB X 08MB	1	7584 -
52	PM-3092F	Y	HOSE, 3/8 X 23.0, 08MB X 08MB	1	7584 -
53	PM-4132C	Y	HOSE, 1/2 X 33.0, 08MB X 08MB90	1	7584 -
54	PM-3156C	Y	HOSE, 3/8 X 39.0, 08MB X 08MB	1	7584 -
55	F2-69130	Y	FITTING, 90° SHORT ELBOW, 12MP X 08FS	2	7584 - 8346
	F1-69110	Y	FITTING, 90° ELBOW, 12MP X 08FS	2	8347 -
56	PM-1072C	Y	HOSE, 1/4 X 18.0, 04MP X 06MP	1	7584 -
57	PM-1104A	Y	HOSE, 1/4 X 26.0, 06MP X 06MP90	1	7584 -
58	PM-3136E	Y	HOSE, 3/8 X 34.0, 08MB X 08MB	1	7584 -
59	PX-3071A	N	HOSE, 1 X 17.5, SUCTION	1	7584 -
60	FW-11300	Y	FITTING, 90° ELBOW, 1 INCH HOSE X 16MB	1	7584 -
61	23-05525	N	MANIFOLD, HYDRAULIC OIL SUPPLY	1	7584 -
62	27-2204K	Y	CLAMP, T-BOLT, 2 INCH HOSE	1	7584 -
63	27-2202A	Y	CLAMP, T-BOLT, 1 INCH HOSE	4	7584 -
64	PX-3040A	Y	HOSE, 1 X 10, SUCTION	1	7584 -
65	PX-6328A	N	HOSE, 2 X 82, SUCTION	1	7584 -

KZ-72380 INCLUDES ITEMS 45 (VA HOSE), 45A (HA HOSE), (2) 46 (ELBOW), & N/S (TEE)

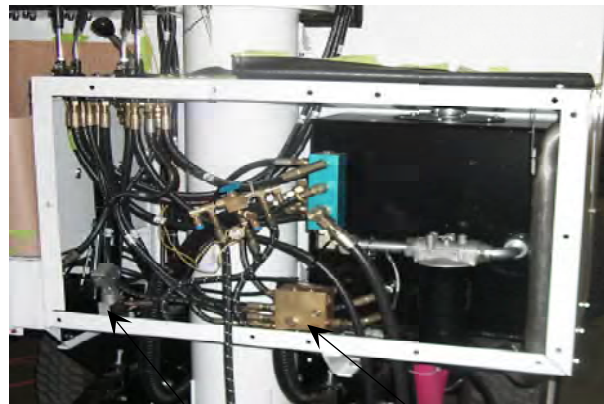
**GROUP 7.030 HYDRAULIC ACCESSORY PUMP**



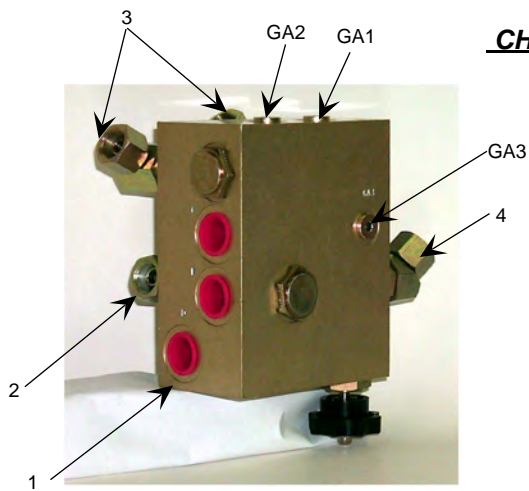
**GROUP 7.030 HYDRAULIC ACCESSORY PUMP**

IND	PART NO	COMMON to 500	DESCRIPTION	QTY	SERIAL NO
1	2P-06500	N	PUMP, HYD., DOUBLE	1	7584 -
	2P-0650A	N	SHAFT SEAL, PUMP, D-SERIES	1	7584 -
	HA-14014	Y	SCREW, HEX HEAD, ½ -13 X 1½	2	7584 -
	HA-14862	Y	WASHER, LOCK, ½	2	7584 -
2	F1-69090	Y	FITTING, 90° ELBOW, 12MB X 08FS	1	7584 -
3	PM-4500A	Y	HOSE, ½ X 125.0, 08MB X 08MP	2	7584 -
4	PM-3164C	Y	HOSE, 3/8 X 41.0, 06MP X 06FJTN	1	7584 -
5	PM-4116B	Y	HOSE, ½ X 29, 8MP X 8MP	2	7584 -
6	F1-69110	Y	FITTING, 90° ELBOW, 12MB X 08FS	2	7584 -
7	3R-07000	Y	FILTER ASSEMBLY, MANIFOLD & ELEMENT	1	7584 -
	3R-07001	Y	FILTER ELEMENT	1	7584 -
	3R-07002	Y	FILTER INDICATOR	1	7584 -
	3R-07003	Y	FILTER HEAD	1	7584 -
8	F1-69050	Y	FITTING, 90° ELBOW, 08MB X 06FS	1	7584 -
9	FW-11300	Y	FITTING, 90° ELBOW, 16MB X 16HB	1	7584 -
10	PX-3040A	Y	HOSE, 1 X 10, SUCTION	1	7584 -
11	27-2202A	Y	CLAMP, T-BOLT, 1 INCH HOSE	2	7584 -
12	23-05525	N	MANIFOLD, HYDRAULIC OIL SUPPLY	1	7584 -

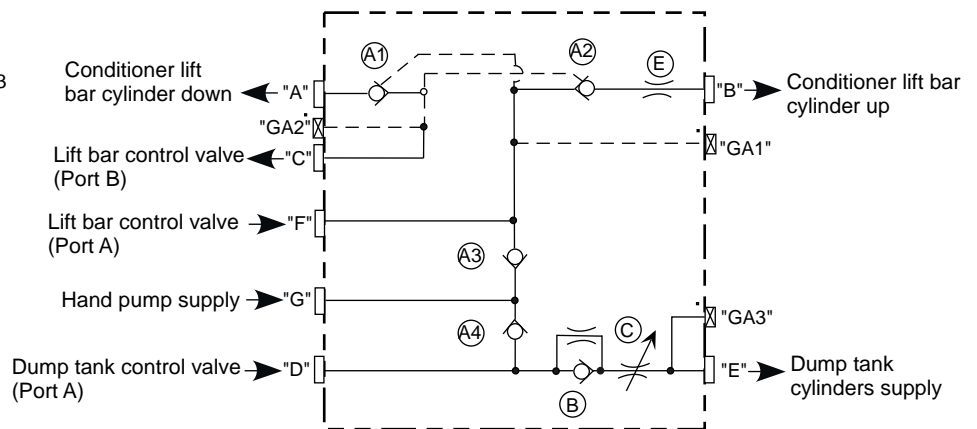
**GROUP 7.040 CHECK VALVE MANIFOLD AND HAND PUMP**



Hand Pump      Check Valve Manifold



**CHECK VALVE MANIFOLD**



**Hydraulic Schematic**

**HYDRAULIC HAND PUMP**

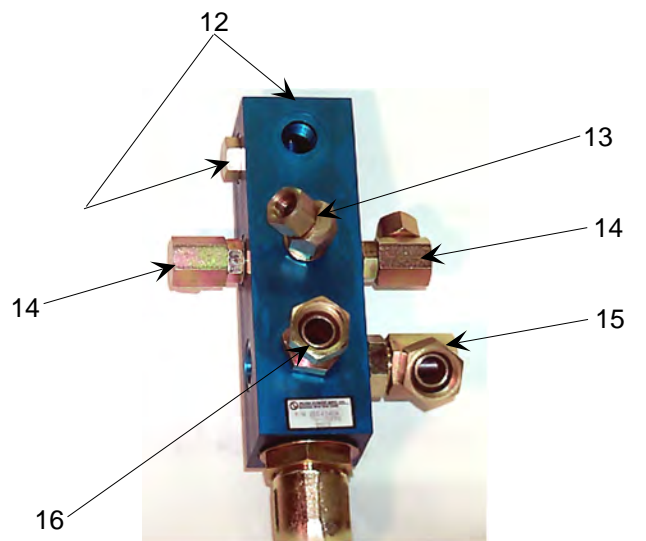
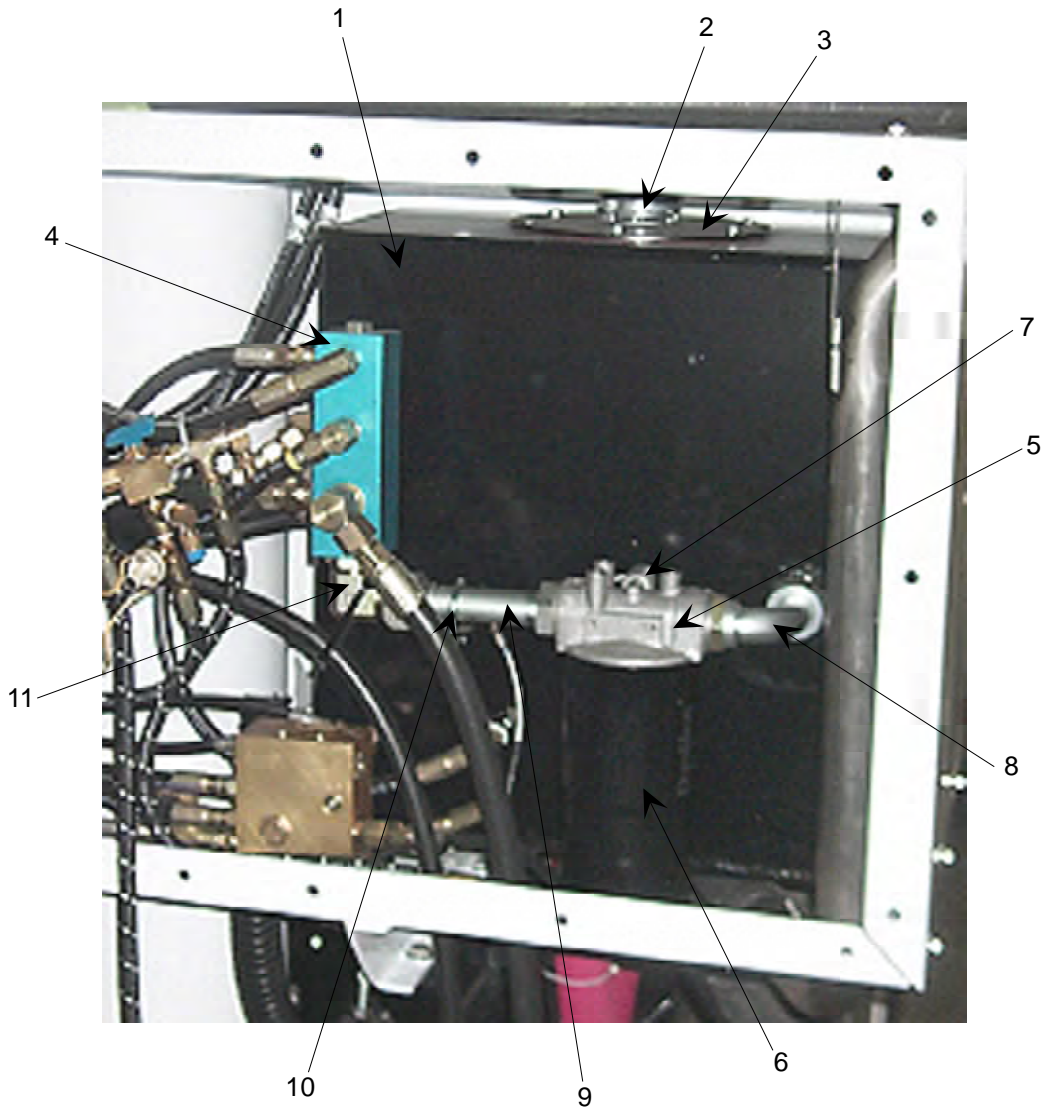




**GROUP 7.040 CHECK VALVE MANIFOLD & HYDRAULIC HAND PUMP**

IND	PART NO	COMMON to 500	DESCRIPTION	QTY	SERIAL NO
<b><u>CHECK VALVE MANIFOLD</u></b>					
1	2V-44596	Y	CHECK VALVE MANIFOLD ASSY. W/ FITTINGS	1	7584 -
	2V-44595	Y	CHECK VALVE MANIFOLD ONLY	1	7584 - 8377
	2V-44620	N	CHECK VALVE MANIFOLD ONLY (FP)	1	8378 -
A1-A4	2V-44591	Y	CARTRIDGE VALVE, CHECK VALVE MANIFOLD	4	7584 -
B	2V-44592	Y	RESTRICTOR CHECK VALVE, CHECK VALVE MANIFOLD	1	7584 -
C	2V-44597	Y	ADJUSTING NEEDLE, CHECK VALVE MANIFOLD	1	7584 -
E	2V-44598	Y	ORIFICE PLUG, CHECK VALVE MANIFOLD	1	7584 -
2	F1-69030	Y	FITTING, 90° ELBOW, 06MB X 06FS	1	7584 -
3	F1-69050	Y	FITTING, 90° ELBOW, 08MB X 06FS	2	7584 -
4	F1-75040	Y	FITTING, 45° ELBOW, 08MB X 06FS	1	7584 -
<b><u>HYDRAULIC HAND PUMP</u></b>					
1	2P-20000	Y	HAND PUMP W/RELIEF VALVE, W/OUT HANDLE	1	7584 -
	2P-20001	Y	SERVICE KIT FOR POWER PACKER PUMP	1	7584 -
2	2P-2000H	Y	HANDLE, HAND PUMP, MONARCH	1	7584 -
3	F1-69010	Y	FITTING, 90° ELBOW, SHORT, 04FS X 04MB	1	7584 -
4	F1-64510	Y	FITTING, STRAIGHT, 04FP X 04MB	1	7584 -
5	HA-06116	Y	SCREW,SKT HD CAP, 1/4-20 X 2	2	7584 -
	HA-06862	Y	LOCKWASHER,1/4,SPLIT LOCK	2	7584 -
	HA-06980	Y	NUT,HEX,1/4-20,GRD 5	2	7584 -

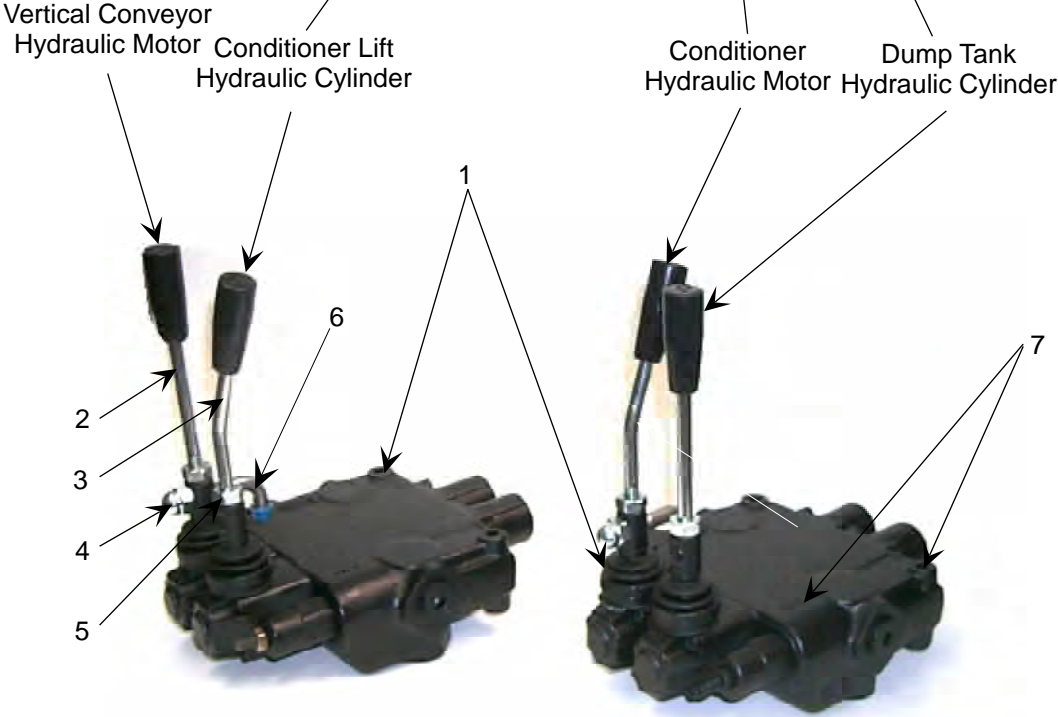
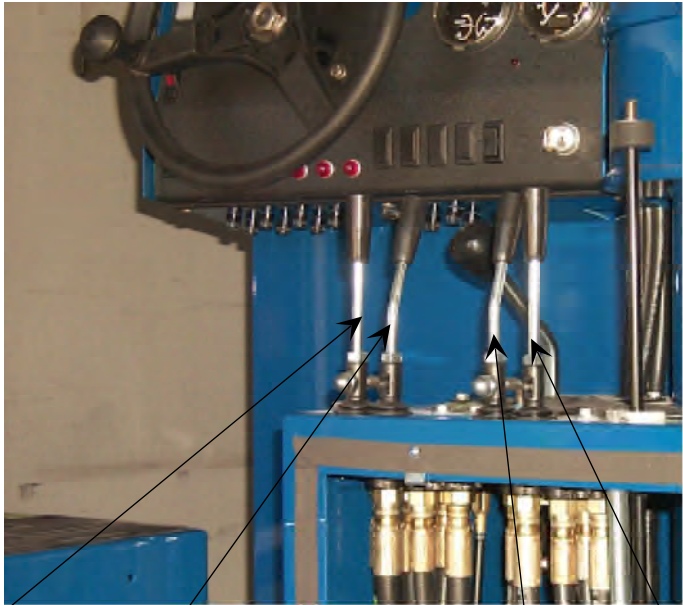
**GROUP 7.050 HYDRAULIC OIL TANK**



**GROUP 7.050 HYDRAULIC OIL TANK**

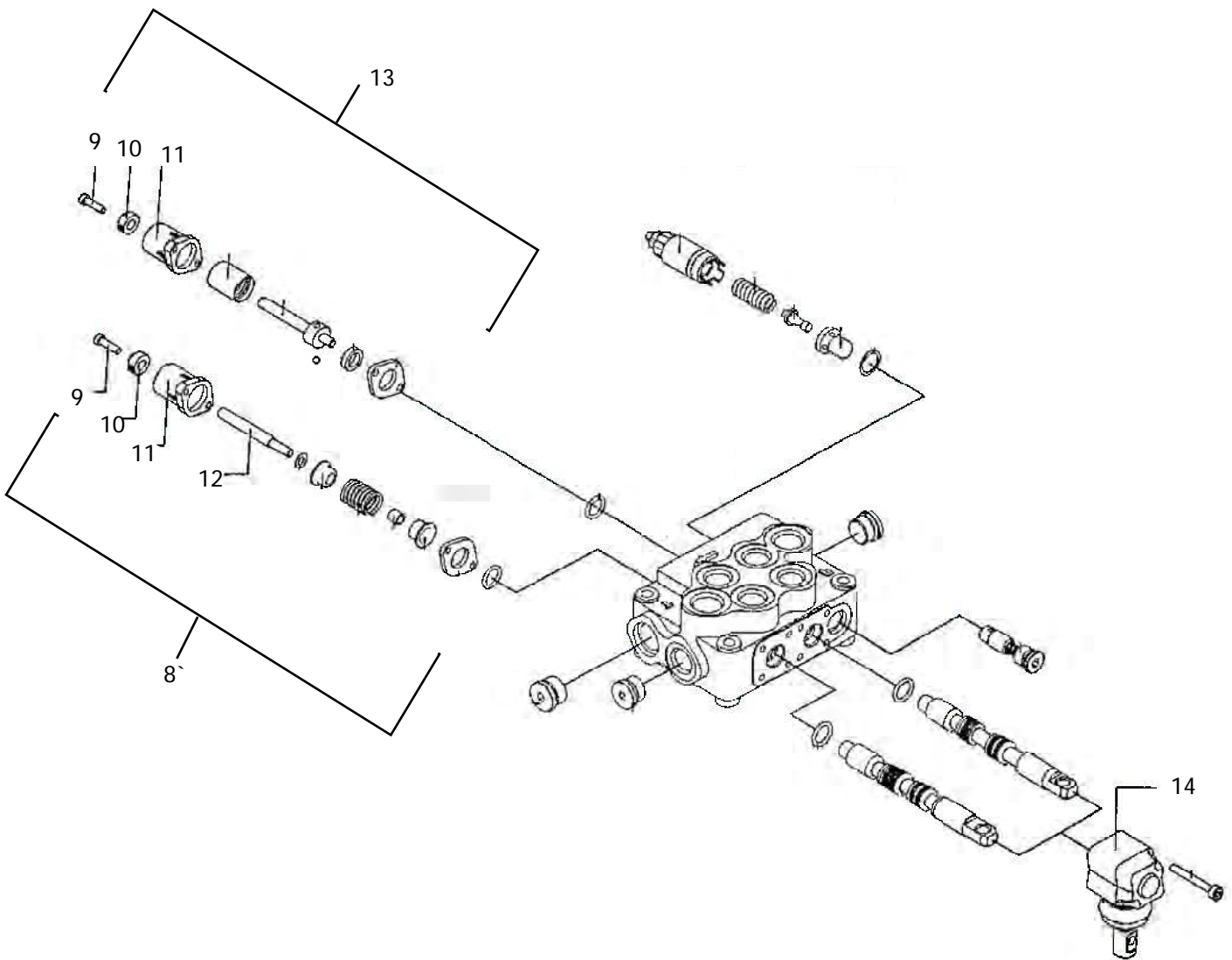
IND	PART NO	COMMON to 500	DESCRIPTION	QTY	SERIAL NO
1	7A-15806	Y	TANK, HYDRAULIC OIL	1	7584 -
	HA-10013	Y	SCREW, HEX HD, 3/8-16 X 1¼	3	7584 -
	HA-10860	Y	FLAT WASHER, 3/8	3	7584 -
	HA-10981	Y	LOCKNUT, HEX, 3/8-16	3	7584 -
N/S	7K-15740	Y	SIGHT GAUGE, OIL LEVEL	1	7584 -
2	7D-50010	Y	FILLER, BREATHER	1	7584 -
3	7A-15809	Y	PLATE, LID	1	7584 -
	2D-15800	Y	GASKET, LID PLATE	1	7584 -
	HA-06009	Y	SCREW, HEX HD, ¼-20 X 3/4	6	7584 -
N/S	FD-18220	Y	PLUG, 3/4, BOTTOM	1,2	7584 -
4	7A-15890	Y	MANIFOLD, HYDRAULIC OIL RETURN	1	7584 -
	3R-06510	Y	HYDRAULIC FILTER ASSEMBLY	1	7584 -
5	3R-06511	Y	FILTER HEAD (C/WITH ANTI-DRAIN CHECK VALVE)	1	7584 -
6	3R-06521	Y	FILTER ELEMENT	1	7584 -
7	3R-06523	Y	PRESSURE SWITCH	1	7584 -
8	F1-71220	Y	FITTING, 90° ELBOW, SPECIAL	1	7584 -
9	F1-71210	Y	FITTING, NIPPLE ADAPTOR, 20MB X 20FJ	1	7584 -
10	1K-0535B	Y	U-BOLT, 2 3/16, NO PLATE	1	7584 -
11	F1-67500	Y	FITTING, 90° ELBOW, 20MB X 20FJ	1	7584 -
12	F1-18040	Y	FITTING, PLUG, 08MB	3	7584 -
13	F1-75040	Y	FITTING, 45° ELBOW, 08MB X 06FS	1	7584 -
14	F1-69050	Y	FITTING, 90° ELBOW, 08MB X 06FS	3	7584 -
15	F1-69120	Y	FITTING, 90° ELBOW, 12MB X 12FS	1	7584 -
16	F1-64400	Y	FITTING, STRAIGHT, 12MB X 12FS	1	7584 -
N/S = NOT SHOWN (INSIDE TANK)					
N/S	FD-0136A	Y	NIPPLE, CLOSE, 1½	1	7584 -
N/S	3R-50055	Y	DIFFUSER	1	7584 -
N/S	FD-13360	Y	COUPLING, 1½	1	7584 -
	FD-0136M	Y	NIPPLE, 1½ X 3	1	7584 -
N/S	3R-50060	Y	STRAINER	1	7584 -
N/S	FD-04360	Y	STREET EL, 1½ X 90	1	7584 -

**GROUP 7.060 HYDRAULIC CONTROL VALVES**

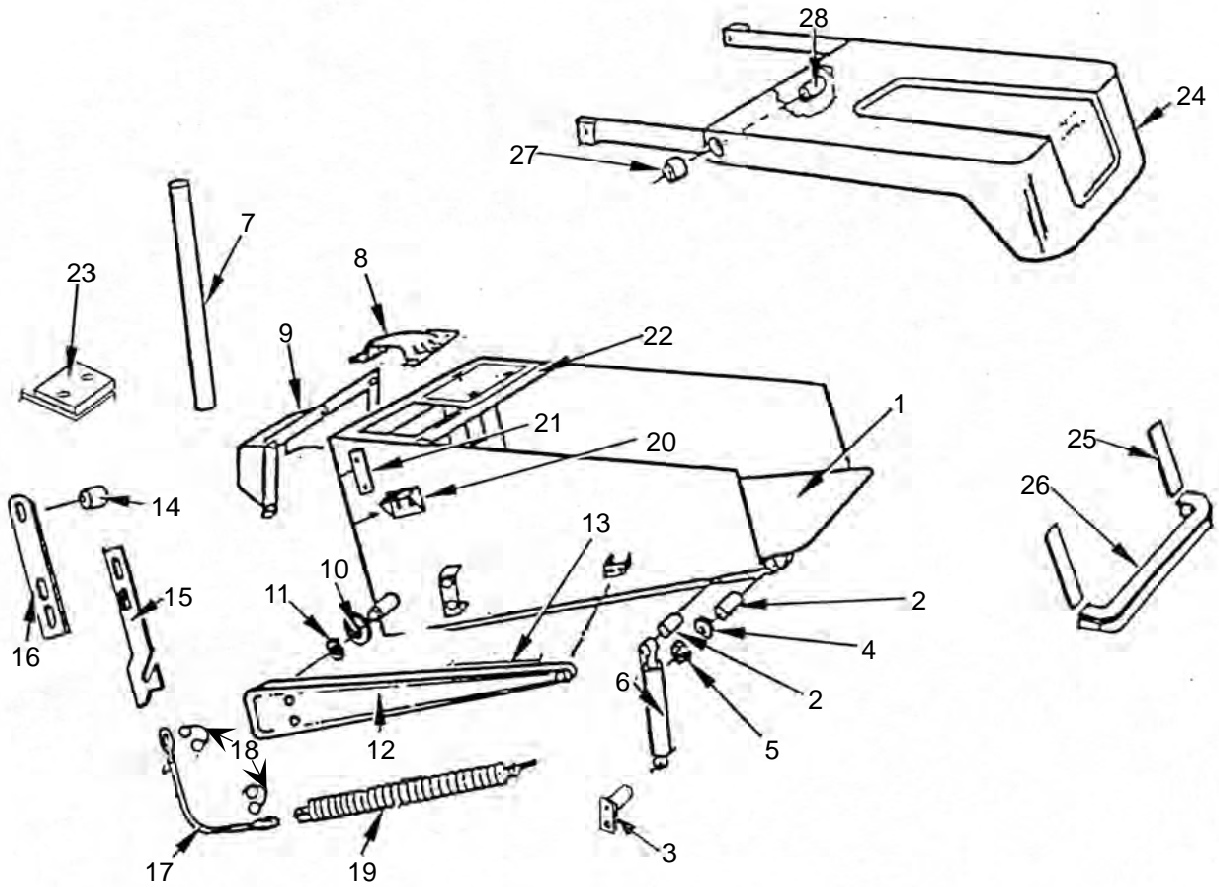


**GROUP 7.060 HYDRAULIC CONTROL VALVES**

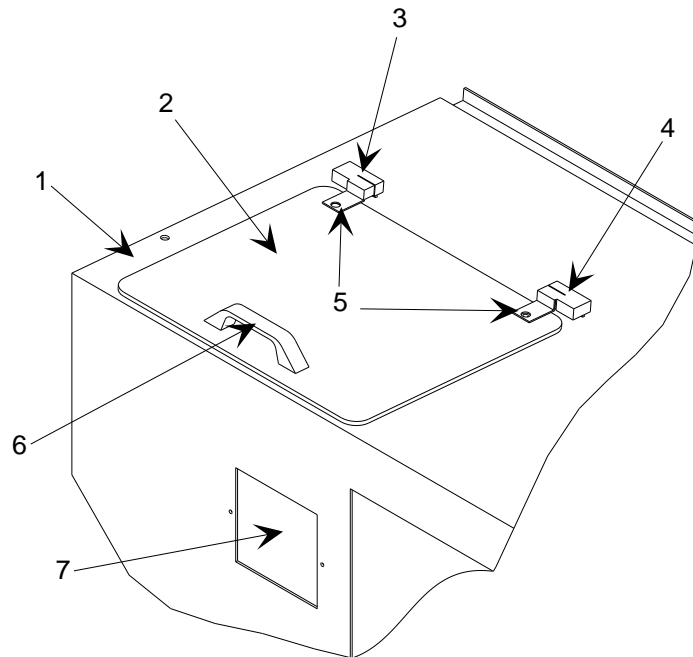
IND	PART NO	COMMON to 500	DESCRIPTION	QTY	SERIAL NO
1	2V-75060	Y	VALVE, HYDRAULIC CONTROL	2	7584 -
	2V-75065	Y	KIT, SEAL-HYDRAULIC CONTROL VALVES	2	7584-
2	2V-75070	Y	HANDLE, STRAIGHT, CONTROL VALVE	2	7584 -
3	2V-75080	Y	HANDLE, BENT, CONTROL VALVE	2	7584 -
4	HM-17985	Y	NUT, ACORN	2	7584 -
5	HM-17982	Y	NUT, JAM	4	7584 -
6	46-05195	Y	BRACKET, TRAVEL STOP	2	7584 -
7	HA-08018	Y	SCREW, HEX HEAD, 5/16-18 X 2-1/2	6	7584 -
	HA-08860	Y	WASHER, FLAT, 5/16	6	7584 -
	HA-08981	Y	LOCKNUT, 5/16-18	6	7584 -
8	2V-75096	Y	END CAP ASSY, SPRING TO CENTER W/ ROD	1	7584 -
9	2V-75067	Y	END CAP SCREWS	2	7584 -
10	2V-75091	Y	COLLAR, MICROSWITCH ACTIVATOR	2	7584 -
11	2V-75094	Y	END CAP W/ HOLE	2	7584 -
12	2V-75095	Y	SWITCH ROD	1	7584 -
13	2V-75090	Y	END CAP ASSY, DETENT W/ ROD	1	7584 -
14	2V-75068	Y	HANDLE LINK CAP ASSY	1	7584 -
N/S	2V-75066	Y	END CAP, NO HOLE	1	7584 -



**GROUP 8.010 SNOW TANK**



**SNOW TANK WINDOW DETAIL**



**GROUP 8.010 SNOW TANK**

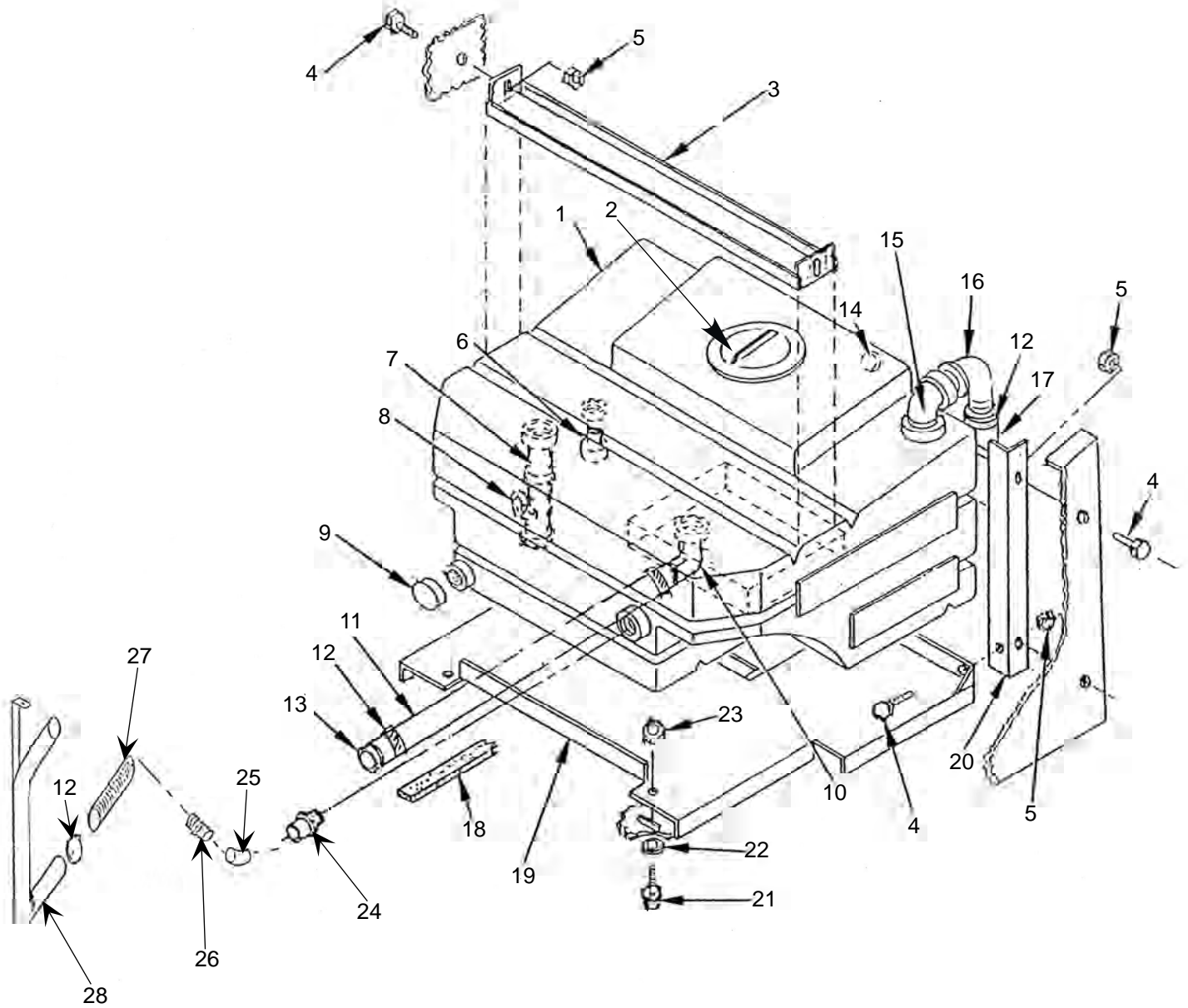
IND	PART NO	COMMON to 500	DESCRIPTION	QTY	SERIAL NO
1	7A-15500	Y	WELDMENT ASSY., SNOW TANK	1	7584 -
2	16-70581	Y	PIN, PIVOT	4	7584 -
3	5T-70575	Y	BRACKET, CAPTURED PIN	2	7584 -
	HA-08009	Y	SCREW, HEX HEAD, 5/16-18 X 3/4	2	7584-
	HA-08980	Y	NUT, HEX, 5/16-18	2	7584-
	1Z-01580	Y	FITTING, GREASE, 1/8 NPT	2	7584-
4	N/A	N/A	N/A	N/A	N/A
5	HA-7064A	Y	E-RING, EXTERNAL, 1" SHAFT	10	7584 -
6	2X-2514A	Y	CYLINDER, SNOW TANK	2	7584 -
	2X-2514L	Y	SEAL KIT FOR CYLINDER 2X-2514A	1	7584-
7	49-38590	Y	SAFETY STAND	1	7584 -
8	7D-73420	Y	VENT, SNOW TANK	1	7584 -
	HA-06011	Y	SCREW, HEX HEAD, 1/4-20 X 1	6	7584 -
	HA-06981	Y	NUT, LOCK, HEX, 1/4-20	6	7584 -
9	49-18380		SNOW SHIELD, CLEAR PLASTIC	1	7584 -
	49-18370	Y	SNOW SHIELD, METAL (ONLY W/O PLASTIC WW TANK)	1	7584 -
10	41-42000	Y	PULLEY, LID LIFT	2	7584 -
11	HA-14860	Y	FLAT WASHER, 1/2	2	7584 -
	HA-10862	Y	FLAT WASHER, 3/8	2	7584-
	HA-08009	Y	SCREW, HEX HS, 5/16-18 X 3/4	2	7584 -
	HA-08862	Y	LOCKWASHER, 5/16, SPLIT	2	7584 -
12	49-17680	Y	GUARD, SNOW TANK LID SPRING	2	7584 -
	HD-08984	Y	NUT, INSERT, 5/16-18	6	7584 -
	HA-08511	Y	SCREW, TRUSS HEAD, 5/16-18 X 1	6	7584 -
	HD-08862	Y	WASHER, FLAT, NYLON	6	7584 -
13	2H-0520A	Y	EDGE LINER, CAPPLUG	2	7584 -
14	10-19070	Y	BUSHING	2	7584 -
	HA-14016	Y	SCREW, HEX HEAD, 1/2-13 X 2	2	7584 -
	HA-14986	Y	NUT, HEX, 1/2-13	2	7584 -
15	4F-15870	Y	LID HOOK, LID LIFT ARM	2	7584 -
16	4F-15880	Y	LINK, LID LIFT ARM	4	7584 -
	HA-10014	Y	SCREW, HEX HEAD, 3/8-16 X 1 1/2	4	7584 -
	HA-10981	Y	NUT, NY-LOCK, 3/8-16	4	7584 -
17	33-40330	Y	CABLE, LID LIFT	2	7584 -
18	27-03210	Y	CLAMP, WIRE ROPE	4	7584 -
19	1L-38730	Y	SPRING, LID LIFT	2	7584 -
	HA-10980	Y	NUT, HEX, 3/8-16	2	7584 -
	HC-10215	Y	EYEBOLT & NUT, WIRE, 3/8 X 5	2	7584 -
20	5T-10010	Y	BRACKET, STOP ADJ.	2	7584 -
	HA-14213	Y	SCREW, CARRIAGE, 1/2-13 X 1 1/4	4	7584 -
	HA-14862	Y	WASHER, LOCK, 1/2	4	7584 -
	HA-14980	Y	NUT, HEX, 1/2-13	4	7584 -
21	7B-0520A	Y	WEAR STRIP	2	7584 -
	HA-06611	Y	SCREW, SKT, FLTHEAD, 1/4-20 X 1	4	7584 -
	HA-06981	Y	NUT, LOCK, HEX, 1/4-20	4	7584 -
22	2F-0013C	Y	KIT, REAR SEAL, SNOW TANK LID	1	7584 -
23	8P-12680	Y	PAD & WASHER ASSY.	2	7584 -
	7A-15318	Y	SHIM, SNOW TANK, BACK, 1/8" THK	2	7584 -
	7A-15317	Y	SHIM, SNOW TANK, BACK, 1/4" THK	2	7584 -
	HA-10011	Y	SCREW, HEX HEAD, 3/8-16 X 1	4	7584 -
	HA-10981	Y	NUT, NYLOCK, 3/8-16	4	7584 -

**GROUP 8.010 SNOW TANK**

IND	PART NO	COMMON to 500	DESCRIPTION	QTY	SERIAL NO
24	7B-05860	Y	LID, SNOW TANK	1	7584 -
	7B-0521A	Y	WEAR PAD, PLASTIC	2	7584 -
	HA-06609	Y	SCREW, FLAT HEAD, 1/4-20 X 3/4	2	7584 -
	HA-06981	Y	NUT, LOCK, HEX, 1/4-20	2	7584 -
	7B-0522A	Y	BRACE ROD, RH	1	7584 -
	7B-0522B	Y	BRACE ROD, LH	1	7584 -
	HF-13980	Y	NUT, HEX HEAD, 7/16-20	4	7584 -
	HF-13981	Y	NUT, LOCK, HEX, 7/16-20	4	7584 -
N/S	KZ-0522A	Y	KIT, SNOW TANK LID ARM BRACE	1	7584 -
25	2F-00110	Y	SEAL, NEOPRENE	2	7584 -
26	2F-0010A	Y	SEAL, NEOPRENE	2	7584 -
27	10-2126A	Y	BUSHING	2	7584 -
	HD-1861M	Y	SCREW, HEX HEAD, 5/8-11 X 3/4. W/ZERK	2	7584 -
	HA-18860	Y	WASHER, FLAT, 5/8	4	7584 -
	HA-18986	Y	NUT, TRI-LOCK, 5/8-11	2	7584 -
28	13-3728A	Y	SPACER	2	7584 -
<b>SNOW TANK WINDOW DETAIL</b>					
1	7A-15500	Y	WELDMENT, SNOW TANK	1	7584 -
2	49-04401	Y	SNOW TANK WINDOW	1	7584 -
	2F-00160	Y	SEAL, SNOW TANK	8'	7584 -
	2H-0600A	Y	STRIP, MAGNETIC	1 1/2'	7584 -
	ZR-54402	Y	TAPE, GLOSS BLACK, 1" WIDE	6'	7584 -
3	47-15500	Y	HING, SNOW TANK WINDOW, LH	1	7584 -
4	47-15505	Y	HING, SNOW TANK WINDOW, RH	1	7584 -
	HA-04704	Y	SCREW, FILLISTER HEAD, #10-32 X 3/8	4	7584 -
	HA-04706	Y	SCREW, FILLISTER HEAD, #10-32 X 1/2	4	7584 -
	HA-03862	Y	WASHER, LOCK, #10	4	7584 -
	HA-03867	Y	WASHER, FLAT, #10	4	7584 -
5	49-04405	Y	BRACKET, HINGE MOUNTING	2	7584 -
	49-04406	Y	BRACKET, LIMITER	1	7584 -
6	4A-40520	Y	HANDLE, SNOW TANK WINDOW	1	7584 -
7	7A-15525	Y	COVER PLATE	1	7584 -
	HA-04706	Y	SCREW, FILLISTER HEAD, #10-32 X 1/2	2	7584 -
	HA-04981	Y	NUT, LOCK, HEX, #10-32	2	7584 -
	HA-03867	Y	WASHER, FLAT, #10	2	7584 -
N/S	KZ-0522A	Y	SNOW TANK LID ARM BRACE (INCLUDES ALL * ITEMS)	1	7584 -
	7B-0521A	Y	PLASTIC WEAR PAD*	2	7584 -
	HA-06609	Y	SCREW, FLAT HEAD, 1/4-20 X 3/4*	4	7584 -
	HA-06981	Y	NUT, LOCK, HEX, 1/4-20*	4	7584 -
	7B-0522A	Y	BRACE ROD, RH*	1	7584 -
	7B-0522B	Y	BRACE ROD, LH*	1	7584 -
	HA-13860	Y	WASHER, FLAT, SAE, 7/16	4	7584 -
	HA-13980	Y	NUT, HEX, 7/16-20*	4	7584 -
	HA-13981	Y	NUT, LOCK, HEX, 7/16-20*	4	7584 -



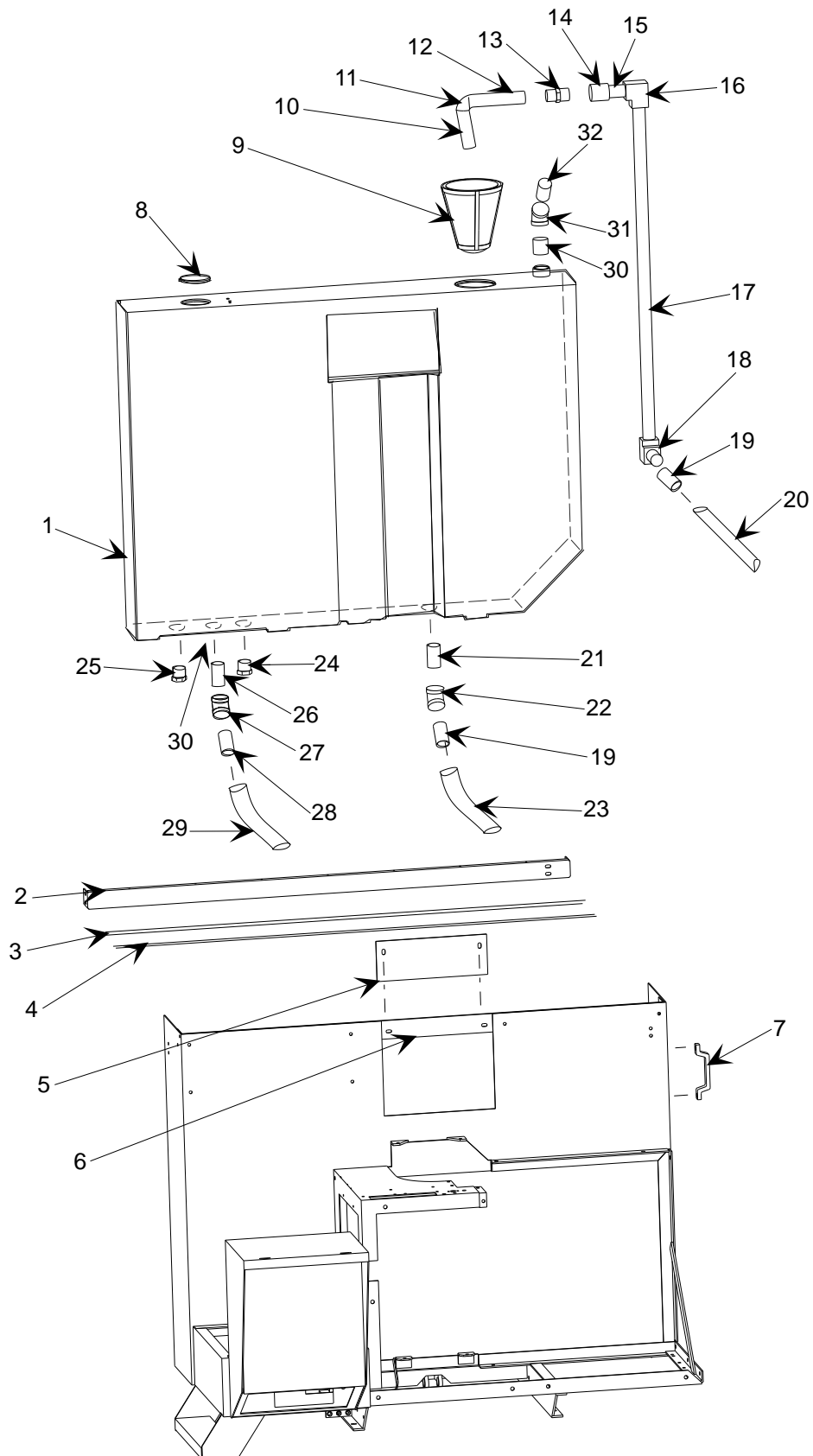
**GROUP 9.010 ICE MAKING WATER TANK**



**GROUP 9.010 ICE MAKING WATER TANK**

IND	PART NO	COMMON to 500	DESCRIPTION	QTY	SERIAL NO
1	7A-0530A	Y	ICE MAKING WATER TANK	1	7584 -
2	7A-0520B	Y	COVER, ICE MAKING WATER TANK	1	7584 -
3	7A-05204	Y	CHANNEL, HOLD DOWN, PLASTIC TANK	1	7584 -
4	HF-08011	Y	SCREW, HEX HEAD, 5/16-18 X 1	8	7584 -
5	HA-08981	Y	NUT, HEX LOCK, 5/16-18	8	7584 -
6	FP-0800A	Y	PLUG, PLASTIC, ½ NPT	1	7584 -
7	FT-46048	Y	NIPPLE, PLASTIC, 2 X 3	1	7584 -
8	2V-33240	Y	VALVE, GATE, BRASS 2"	1	7584 -
9	FV-09162	Y	PLUG, PLASTIC, 1½ NPT	1	7584 -
10	FF-04360	Y	STREET ELBOW, 1½ X 90°	1	7584 -
	FD-15220	Y	REDUCING BUSHING, 1½ X 1¼	1	7584 -
	FW-10080	Y	COMB. NIPPLE, 1½ HOSE X 1¼ NPT	1	7584 -
11	RC-4146A	Y	HOSE, KANAFLEX, 1½ X 62	1	7584 -
12	27-2036A	Y	CLAMP, HOSE, 2 3/4	5	7584 -
13	FW-10080	Y	FITTING, STRAIGHT, 20MP X 24HB	1	7584 -
14	FV-09164	Y	PLUG, PLASTIC, 2 NPT	1	7584 -
15	FP-32001	Y	FITTING, 90° STREET ELBOW, PLASTIC	1	7584 -
16	FP-3232A	Y	FITTING, 90° ELBOW, PLASTIC, 32MP X 32HB	1	7584 -
17	RC-8140A	Y	HOSE, 2 X 25	1	7584 -
18	2F-00120	Y	SEAL, FOAM ¼ X 3/4	8	7584 -
19	7A-00500	Y	TRAY, WATER TANK	1	7584 -
20	7A-05220	Y	SUPPORT, PLASTIC TANK SIDE PANEL	1	7584 -
21	HA-14013	Y	SCREW, HEX HEAD, ½-13 X 1¼	4	7584 -
22	HA-14860	Y	WASHER, FLAT, ½	4	7584 -
23	HA-14986	Y	NUT, HEX TRI-LOCK, ½-13	4	7584 -
24	FF-01412	Y	NIPPLE, GALV., 2 X 5"	1	7584 -
25	FF-03400	Y	FITTING, 45° ELBOW, GALV., 2	1	7584 -
26	FW-10110	Y	NIPPLE, COMB., 32MP X 32HB	1	7584 -
27	PX-6000A	Y	HOSE, 2 X 15½	1	7584 -
28	7A-05207	Y	FILL TUBE, STAINLESS	1	7584 -
N/S	5T-16065	Y	BRACKET, WATER TANK TRAY, NO BOARD BRUSH	1	7584 -

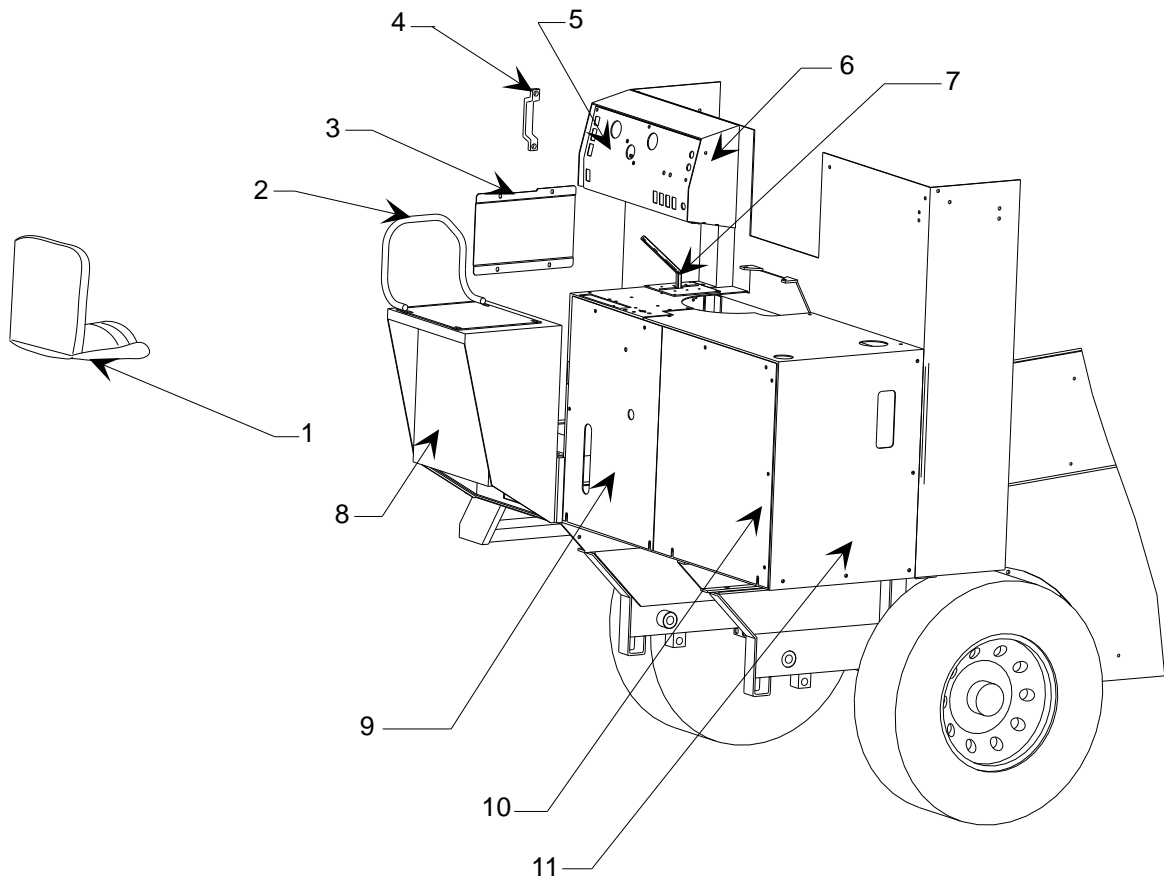
**GROUP 9.020 WASH WATER TANKS W/O WASH WATER TRANSFER SYSTEM**



**GROUP 9.020 WASH WATER TANKS W/O WASH WATER TRANSFER SYSTEM**

IND	PART NO	COMMON to 500	DESCRIPTION	QTY	SERIAL NO
1	7A-05355	Y	PLASTIC WASH WATER TANK	1	7584 -
2	7F-05051	Y	STIFFENER	1	7584 -
	HF-10509	Y	SCREW, SS, BUTTON HD, 3/8-16 X 3/4	4	7584 -
	HF-10982	Y	NUT, SS, THIN, 3/8-16	4	7584 -
	HF-10860	Y	WASHER, SS, FLAT, 3/8	4	7584 -
	HF-10862	Y	WASHER, SS, LOCK 3/8	4	7584 -
3	2F-00140	Y	SEAL	5'	7584 -
4	7F-05070	Y	BRACKET, SNOW TANK SEAL	1	7584 -
	HF-06009	Y	SCREW, SS, HEX HEAD, 1/4-20 X 3/4	7	7584 -
	HF-06860	Y	WASHER, SS, FLAT 1/4	7	7584 -
	HF-06862	Y	WASHER, SS, LOCK, 1/4	7	7584 -
5	7F-05203	Y	AUGER OPENING FILLER, PLASTIC WW TANK	1	7584 -
	2F-00145	Y	TRIM SEAL	1	7584 -
6	7F-05066	Y	STIFFENER, PLASTIC WASH WATER TANK, TOP	1	7584 -
7	4A-40510	Y	HANDLE	1	7584 -
	HF-06106	Y	SCREW, SS, SOCKET HEAD CAP, 1/4-20 X 1/2	2	7584 -
	HF-06981	Y	NUT, SS, LOCK, 1/4-20	2	7584 -
	HF-06862	Y	WASHER, SS, LOCK, 1/4	2	7584 -
	HF-06860	Y	WASHER, SS, FLAT, 1/4-20	2	7584 -
8	7A-05357	Y	COVER	1	7584 -
9	7C-04885	Y	BASKET, SCREEN	1	7584 -
	49-04880	Y	SPLASH GUARD, BASKET	1	7584 -
	23-07035	Y	PIPE, WASH WATER RETURN LINE (INCLUDES ALL * ITEMS)	1	7584 -
10	4T-0916C	Y	HOSE, CLEAR, 1 1/4 X 6	1	7584 -
11	FP-2020C	Y	FITTING, 90° ELBOW, PLASTIC, 1 1/4	1	7584 -
12	4T-0914C	Y	HOSE, CLEAR, 1 1/4 X 4	1	7584 -
13	FP-2020B	Y	FITTING, STRAIGHT, PLASTIC, 20MP X 20HB	1	7584 -
14*	FV-33560	Y	FITTING, PLASTIC, COUPLING, 20MP	1	7584 -
15*	FV-64016	Y	NIPPLE, PLASTIC, 1 1/4 X 2	1	7584 -
16*	FV-02561	Y	FITTING, PLASTIC, 90° ELBOW, 20FP X 1 1/4 SLIP	1	7584 -
17*	FV-64384	Y	PIPE, PLASTIC, 1 1/4 X 47 1/2	1	7584 -
18*	FV-02562	Y	FITTING, PLASTIC, 90° ELBOW, 20FP X 20FP	1	7584 -
19	FW-10080	Y	FITTING, STRAIGHT, 20MP X 24HB	2	7584 -
20	RC-4110A	Y	HOSE, KANAFLEX, 1 1/2 X 29	1	7584 -
21	FV-2605A	Y	NIPPLE, PLASTIC, 1 1/4 X 3	1	7584 -
22	FV-05060	Y	FITTING, 45° ELBOW, 20FP	1	7584 -
23	RC-4114A	Y	HOSE, KANAFLEX, 1 1/2 X 37 1/2	1	7584 -
24	FV-09162	Y	FITTING, PLASTIC PLUG, 1 1/2	1	7584 -
25	FV-09164	Y	FITTING, PLASTIC PLUG, 2	1	7584 -
26	FV-2700A	Y	NIPPLE, CLOSE, 1 1/2	1	7584 -
27	FV-05572	Y	FITTING, PLASTIC, 45° ELBOW, 1 1/2	1	7584 -
28	FP-2426B	Y	FITTING, PLASTIC, STRAIGHT, 24MP X 24HB	1	7584 -
29	4T-0312A	Y	HOSE, CLEAR, 1 1/2 X 24	2'	7584 -
30	FV-2806B	Y	NIPPLE, CLOSE, 2"	1	7584 -
31	FV-08052	Y	FITTING, 45° ELBOW, 2"	1	7584 -
32	FV-66028	Y	NIPPLE, TOE, 2" X 5"	1	7584 -
N/S	FV-2637C	Y	PIPE (INSIDE PLASTIC TANK)	1	7584 -
N/S	5T-05320	Y	BRACKET (INSIDE PLASTIC TANK)	1	7584 -
	HF-06509	Y	SCREW, SS, THRUS HD, 1/4-20 X 3/4	2	7584 -
N/S	2F-19745	Y	SEAL, WASHWATER TANK	2	7584 -
	7F-05054	Y	BRACKET, SEAL	2	7584 -
	HD-06670	Y	CLIP, FLAT HEAD, PLASTIC, .250" DIA.	4	7584 -
	HF-06510	Y	NUT, HEX LOCK, SS, 1/4-20	4	7584 -
	HD-08862	Y	NYLON FLAT WASHER, 5/16" ID x .062 THICK	4	7584 -
	HF-06006	Y	SCREW, HEX HD, 1-4/20 X 1/2, SS	4	7584 -
N/S	5T-01030	N	SHIM, DOWN-PRESSURE, 1/2"	2	8041 -
	5T-01031	N	SHIM, DOWN-PRESSURE, 1/4"	2	8041 -

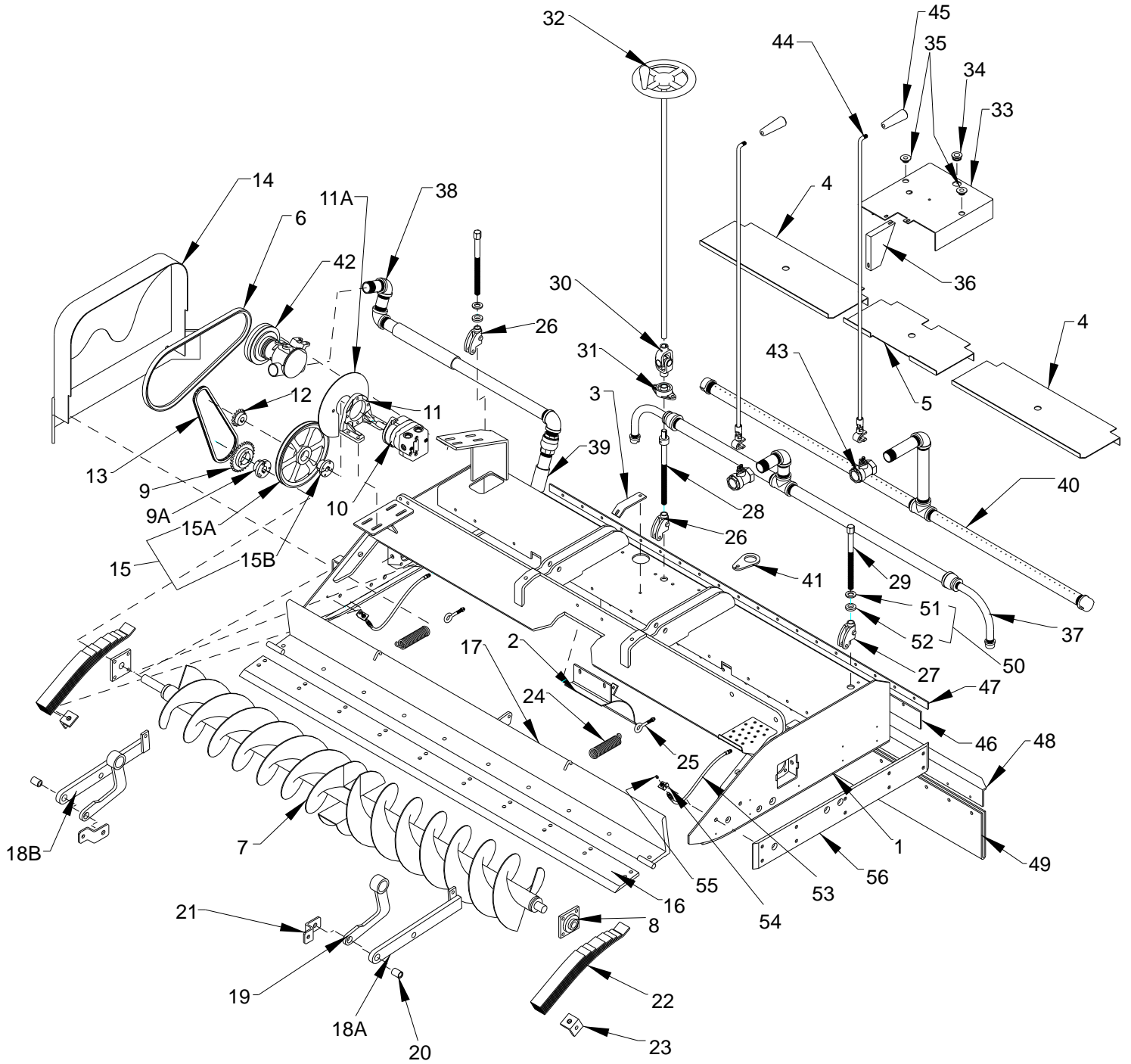
**GROUP 10.010 OPERATOR'S AREA**



**GROUP 10.010 OPERATOR'S AREA**

IND	PART NO	COMMON to 500	DESCRIPTION	QTY	SERIAL NO
1	7H-72900	Y	SEAT ASSEMBLY	1	7584 -
2	7H-1524C	Y	HAND RAIL	1	7584 -
	HF-08904	Y	LOCKNUT, NYLON INSERT, 5/16-18, SS	4	7584 -
	HF-08860	Y	WASHER, FLAT, 5/16, SS	4	7584 -
N/S	7H-0520A	Y	SEAT BELT, RETRACTABLE	1	7584 -
	HA-14011	Y	SCREW, HEX HEAD, 1/2-13 X 1	1	7584 -
	HA-14861	Y	WASHER, FLAT, SAE 1/2-13	1	7584 -
	HA-14986	Y	NUT, HEX, TRI-LOCK, 1/2-13	1	7584 -
3	7F-05026	Y	COVER, ACCESS PANEL	1	7584 -
	HA-06900	Y	SPEEDNUT, 1/4-20	4	7584 -
	HF-06505	Y	SCREW, SS, 1/4-20 X 3/4	4	7584 -
	HF-06862	Y	LOCKWASHER, SS, 1/4	4	7584 -
	HF-06861	Y	FLAT WASHER, SS, 1/4 SAE	4	7584 -
	HD-13861	Y	FLAT WASHER, NYLON, 1/4	4	7584 -
4	4A-40510	Y	HANDLE	1	7584 -
5	46-05515	Y	DASH, HINGED	1	7584 -
	HA-72902	Y	SPEED NUT, 5/16-18	6	7584 -
	HA-08509	Y	SCREW, BUTTON HEAD, 5/16-18 X 3/4	6	7584 -
6	46-05540	Y	INSTRUMENT PANEL, HINGED FACE	1	7584 -
	HA-10011	Y	SCREW, HEX HEAD, 3/8-16 X 1	4	7584 -
	HA-10981	Y	NUT, HEX, NY-LOCK, 3/8-16	4	7584 -
	27-30010	Y	CLAMP, WIRE HARNESS	1	7584 -
	33-0010B	Y	CABLE, INSTRUMENT PANEL SUPPORT	1	7584 -
7	32-06525	N	ASSY., SINGLE HAND LEVER CONTROL	1	7584 -
8	7H-05220	Y	SUPPORT, OPERATOR'S SEAT	1	7584 -
9	46-15394	Y	REAR PANEL, LEFT	1	7584 -
	HA-08009	Y	SCREW, HEX HEAD, 5/16-18 X 3/4	4	7584 -
	HA-08862	Y	WASHER, LOCK, 5/16	5	7584 -
	HA-08860	Y	WASHER, FLAT, 5/16	5	7584 -
	HD-08862	Y	WASHER, PLASTIC, 5/16	5	7584 -
	HA-08900	Y	NUT, SPEED "J" TYPE, 5/16	5	7584 -
	HD-08007	Y	STUD, 5/16-18 X 1 3/4	1	7584 -
	HA-08990	Y	NUT, WING, 5/16-18	1	7584 -
10	46-15400	Y	REAR PANEL, RIGHT(GASOLINE ONLY)	1	7584 -
	HA-08009	Y	SCREW, HEX HEAD, 5/16-18 X 3/4	6	7584 -
	HA-08862	Y	LOCKWASHER, 5/16	7	7584 -
	HA-08860	Y	WASHER, FLAT, 5/16	7	7584 -
	HD-08862	Y	WASHER, PLASTIC, 5/16	7	7584 -
	HA-08900	Y	NUT, SPEED "J" TYPE, 5/16	7	7584 -
	HD-08007	Y	STUD, 5/16-18 X 1 3/4	1	7584 -
	HA-08990	Y	NUT, WING, 5/16-18	1	7584 -
11	46-15212	Y	REAR PANEL, TOP RIGHT	1	7584 -
	HA-08009	Y	SCREW, HEX HEAD, 5/16-18 X 3/4	7	7584 -
	HA-08862	Y	LOCKWASHER, 5/16	7	7584 -
	HA-08900	Y	NUT, SPEED "J" TYPE, 5/16	6	7584 -
	HD-08862	Y	WASHER, PLASTIC, 5/16	7	7584 -

**GROUP 11.010 ICE CONDITIONER**



**GROUP 11.010 ICE CONDITIONER**

IND	PART NO	COMMON to 500	DESCRIPTION	QTY	SERIAL NO
	5F-74500	Y	COND ASSY. (LESS MOTOR, PUMP, VALVES, BLADE)		7584 -
1	5H-75160	Y	FRAME WELDMENT, PRIMED	1	7584 -
2	49-39590	Y	SNOW SHIELD	1	7584 -
	HF-10013	Y	SCREW, S.S., HEX HEAD, 3/8-16 X 1¼	2	7584 -
	HF-10860	Y	WASHER, S.S., FLAT, 3/8	2	7584 -
	HF-10981	Y	NUT, S.S., HEX, NY-LOCK, 3/8-16	2	7584 -
3	5T-10210	Y	BRACKET, SNOW SHIELD	1	7584 -
	HF-10009	Y	SCREW, S.S., HEX HEAD, 3/8-16 x 3/4	1	7584 -
	HF-10862	Y	WASHER, S.S., LOCK, 3/8	1	7584 -
4	46-77490	Y	COVER, CONDITIONER, END	2	7584 -
5	46-39760	Y	COVER, CONDITIONER, CENTER	1	7584 -
6	42-75440	Y	BELT, WATER PUMP DRIVE 51"	1	7584 -
7	5A-38250	Y	CONVEYOR SCREW, HORIZONTAL	1	7584 -
8	1X-33490	Y	BALL BEARING, FLANGED	2	7584 -
	HF-12313	Y	SCREW, S.S., SOCKET FLAT HEAD, 7/16-14 X 1¼	4	7584 -
	HF-12013	Y	SCREW, S.S., HEX HEAD, 7/16-14 X 1¼	8	7584 -
	HF-12981	Y	NUT, S.S., HEX, LOCK, 7/16-14	8	7584 -
9	43-4028A	Y	SPROCKET, 28 TEETH	1	7584 -7761
	43-73370	N	SPROCKET, 35 TEETH	1	7762 -
9A	43-73380	Y	BUSHING, TAPER LOCK, 1 INCH BORE	1	7584 -
	15-02116	Y	KEY, ¼ SQUARE X 1½	1	7584 -
10	2M-0403A	Y	MOTOR, HYDRAULIC, HORIZONTAL CONVEYOR	1	7584 - 8641
	KZ-7570H	N	KIT, HORIZ CONVEYOR MOTOR (CASAPPA)	1	7584 - 8641
	2M-75700	N	MOTOR, HYD, HORIZONTAL CONVEYOR (CASAPPA)	1	8642 -
	2M-7570B	N	KIT, SEAL, (CASAPPA)	1	8642 -
	HF-10013	Y	SCREW, S.S., HEX HEAD, 3/8-16 X 1¼	2	7584 -
11	2M-53160	Y	BRACKET, MOTOR MOUNTING*	1	7584 -
	HF-10013	Y	SCREW, HEX HEAD, 3/8-16 X 1¼	4	7584 -
	HF-10860	Y	WASHER, S.S., FLAT, 3/8	4	7584 -
	HF-10981	Y	NUT, S.S., HEX, LOCK, 3/8-16	4	7584 -
			(*JACK BOLTS, QTY (2) EA: HA-12719, HA-12980, HA-12862, HA-12860)		
11A	49-77220	Y	SHIELD, PULLEY, MOTOR MOUNTING	1	7584 -
12	43-39290	Y	SPROCKET, 15 TEETH	1	7584 -
	15-01125	Y	KEY, 3/16 SQUARE X 2	1	7584 -
13	44-4071A	Y	CHAIN, CONVEYOR DRIVE, 71 PITCH (28 TOOTH)	1	7584 -7761
	44-73480	N	CHAIN, CONVEYOR DRIVE, 75 PITCH (35 TOOTH)	1	7762 -
	44-4001C	Y	CONNECTING LINK, CHAIN	1	7584 -
	44-4001D	Y	HALF LINK, OFFSET	1	7584 -
14	49-72090	Y	GUARD, CONVEYOR CHAIN	1	7584 -
	HF-18313	Y	SCREW, S.S. SKT FLT HEAD, 5/8-11 X 1¼	2	7584 -
15	KZ-7717A	Y	KIT, SHEAVE & BUSHING W/INSTRUCTIONS	1	7584 -
15A	41-77240	Y	SHEAVE (ONLY)	1	7584 -
15B	41-77210	Y	BUSHING (ONLY)	1	7584 -
	HF-06113	Y	SCREW	2	7584 -
	HF-07813	Y	LOCKWASHER	2	7584 -
16	5K-33630	Y	BLADE, CONDITIONER	1	7584 -
	HF-14316	Y	SCREW, S.S. STEEL SKT FLAT HEAD, ½-13 X 2	10	7584 -
	HF-14862	Y	WASHER, S.S., LOCK, ½	10	7584 -
	HF-14980	Y	NUT, S.S., HEX, ½-13	10	7584 -
N/S	5K-0520A	Y	BLADE PROTECTOR, PLASTIC	1	7584 -



**Group 11.010 ICE CONDITIONER**

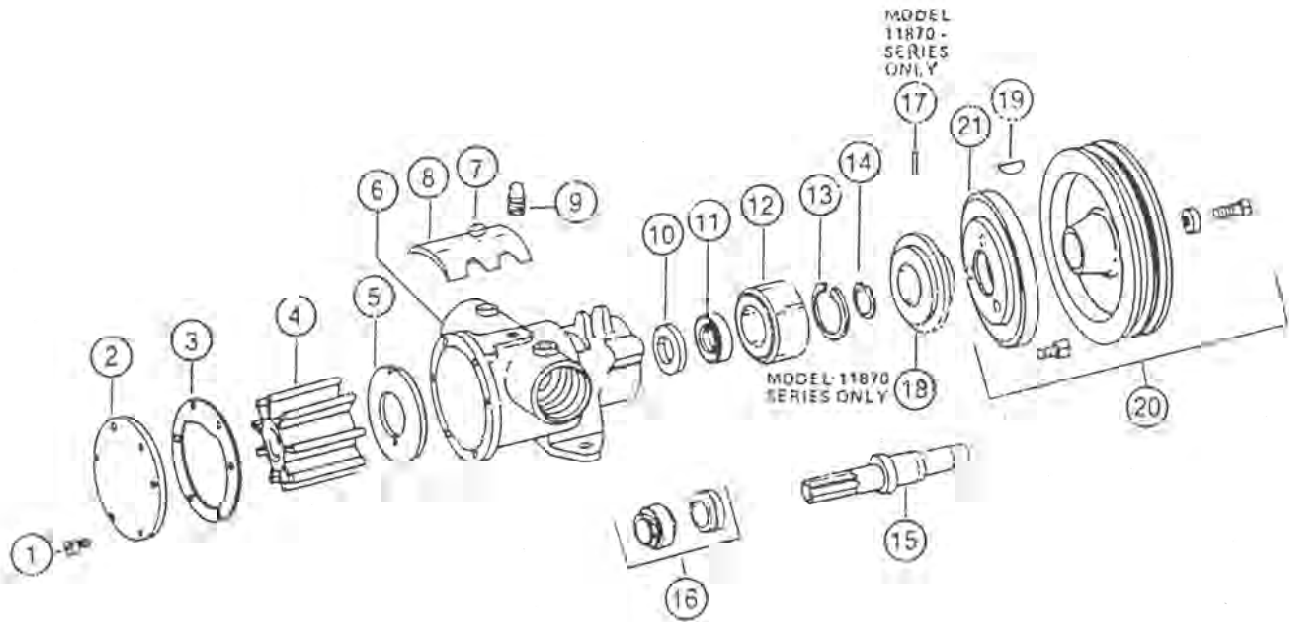
IND	PART NO	COMMON		DESCRIPTION	QTY	SERIAL NO
		to 500				
17	5K-78890	Y		BAR, BLADE SUPPORT	1	7584 -
18	5F-33410	Y		ARM, BLADE FULCRUM, LEFT	1	7584 -
18	5F-33420	Y		ARM, BLADE FULCRUM, RIGHT	1	7584 -
19	5F-33455	Y		ARM, BLADE HAMMER, LEFT OR RIGHT	2	7584 -
20	13-22160	Y		SPACER, FULCRUM ARM	2	7584 -
	HF-18318	Y		SCREW, S.S., SOCKET FLAT HEAD, 5/8-11 X 2½	1	7584 -
	HF-18018	Y		SCREW, S.S., HEX HEAD, 5/8-11 X 2½	1	7584 -
	HF-18860	Y		WASHER, S.S., FLAT, 5/8	2	7584 -
	HA-18987	Y		NUT, THIN, TRI-LOCK, 5/8-11	2	7584 -
21	5T-10220	Y		BRACKET, HAMMER ARM SUPPORT	2	7584 -
	HF-14313	Y		SCREW, S.S., SOCKET FLAT HEAD, ½-13 X 1¼	1	7584 -
	HF-14013	Y		SCREW, S.S., HEX HEAD, ½-13 X 1¼	1	7584 -
	HA-14986	Y		NUT, HEX TRI-LOCK, ½-13	2	7584 -
22	1L-33481	Y		LEAF SPRING	2	7584 -
	HD-2251L	Y		SET-SCREW, SQUARE HEAD, 3/4-10 X 3	2	7584 -
23	5T-16100	Y		BRACKET, LEAF SPRING SUPPORT	2	7584 -
	HF-14313	Y		SCREW, S.S., SOCKET FLAT HEAD, ½-13 X 1¼	1	7584 -
	HF-14013	Y		SCREW, S.S., HEX HD, ½-13 X 1¼	1	7584 -
	HA-14986	Y		NUT, HEX TRI-LOCK, ½-13	2	7584 -
24	1L-33580	Y		EXTENSION SPRING	2	7584 -
25	HC-1011X	Y		EYE BOLT	2	7584 -
	HF-10980	Y		NUT, HEX, 3/8-16	2	7584 -
26	36-3393B	N		CLEVIS ASSY, RH & CENTER	2	8041, 8059 -
	36-33930	Y		CLEVIS ASSY, RH & CENTER	2	7584 - 8040,8042,8043
27	36-3393C	N		CLEVIS ASSY, LH	1	8041, 8059 -
	36-3393A	Y		CLEVIS ASSY, LH	1	7584 - 8040,8042,8043
	16-35000	N		CLEVIS PIN, 1/2 X 1-1/2	3	8041, 8059 -
	HA-12015	Y		SCREW, HEX HD, 7/16-14 X 1-1/4	3	7584 - 8040,8042,8043
	HA-12981	Y		NUT, 7/16-14	3	7584 - 8040,8042,8043
	1Z-01620	Y		GREASE FITTING	3	7584 -
28	5F-33510	Y		ADJUSTING SCREW, BLADE ANGLE	1	7584 -
29	5F-37340	Y		ADJUSTING SCREW, BLADE HEIGHT	2	7584 -
30	2B-33570	Y		UNIVERSAL JOINT, BLADE ADJUSTING	1	7584 -
	15-01100	Y		KEY, 3/16 SQUARE X 1	1	7584 -
	15-01016	Y		KEY, 3/16 SQUARE X ½	1	7584 -
31	1X-0440A	Y		BEARING, BLADE ADJUSTING HANDWHEEL	1	7584 -
	HF-10011	Y		SCREW, HEX HD, 3/8-16 X 1, SS	2	7584 -
	HF-10981	Y		NYLON NUT, HEX LOCK, 3/8-16, SS	2	7584 -
32	4C-1873A	Y		HANDWHEEL & ROD ASSY, BLADE ANGLE ADJUSTING	1	7584 -
33	38-16530	Y		GUIDE PANEL, CONDITIONER CONTROLS	1	7584 -
34	4X-0500B	Y		NYLON GROMMET, .80 I.D.	1	7584 -
	HA-7080A	Y		RETAINER, NYLON GROMMET	1	7584 -
35	4X-0500C	Y		NYLON GROMMET, .60 E.D.	2	7584 -
	HA-7056A	Y		RETAINER, NYLON GROMMET	2	7584 -
36	5T-40030	Y		BRACKET, ROD GUIDE BRACE	1	7584 -
	HF-08009	Y		SCREW, HEX HD, 5/16-18 X 3/4	1	7584 -
	HF-08981	Y		NUT, S.S., HEX, LOCK, 5/16-18	1	7584 -
	HF-08862	Y		WASHER, S.S., LOCK, 5/16	1	7584 -
	HF-08860	Y		WASHER, S.S., FLAT, 5/16	1	7584 -
37	5X-70690	Y		WASH WATER DISCHARGE ASSY	1	7584 -
38	KZ-72270	Y		WASH WATER SUCTION ASSY (INCL CHECK VALVE)	1	7584 -
	2V-10050	Y		CHECK VALVE	1	7584 -
	FF-0131A	Y		NIPPLE, 1¼, CLOSED	1	7584 -
	FW-43652	Y		NIPPLE, 1¼ X 3½	1	7584 -

**Group 11.010 ICE CONDITIONER**

IND	PART NO	COMMON to 500	DESCRIPTION	QTY	SERIAL NO
39	RE-5012A	Y	HOSE, 1-5/8 X 3½	1	7584 -
	27-2028A	Y	CLAMP, 1-5/8 HOSE	1	7584 -
N/S	5T-10180	Y	SUPPORT BRACKET, SUCTION/DISCHARGE ASSY.	1	7584 -
	HA-10020	Y	SCREW, HEX HD, 3/8-16 X 3	1	7584 -
	HA-10981	Y	NUT, HEX, NY-LOCK, 3/8-16	1	7584 -
40	5X-70680	Y	ICE MAKING WATER DISCHARGE ASSY.	1	7584 -
	5X-0520A	Y	ICE MAKING WATER DISCHARGE ASSY, SS	1	7584 -
41	5T-10170	Y	BRACKET, DISCHARGE SUPPORT	1	7584 -
	HF-10009	Y	SCREW, S.S., HEX HEAD, 3/8-16 X 3/4	1	7584 -
	HF-10862	Y	WASHER, S.S., LOCK, 3/8	1	7584 -
42	2P-37570	Y	PUMP, WASH WATER	1	7584 -
	HF-10013	Y	SCREW, S.S., HEX HEAD, 3/8-16 X 1¼	4	7584 -
	HF-10860	Y	WASHER, S.S., FLAT, 3/8	8	7584 -
	HF-10981	Y	NUT, S.S., HEX, LOCK, 3/8-16	4	7584 -
	2P-33850	Y	IMPELLER, WATER PUMP	1	7584 -
	2A-6000H	Y	CLUTCH ASSY, WATER PUMP (INCLUDES COIL)	1	7584 -
	8F-37470	Y	COIL, WATER PUMP CLUTCH	1	7584 -
	84-37570	Y	IMPELLER PULLER	1	7584 -
43	2V-79701	Y	BALL VALVE, 1¼	2	7584 -
	KZ-79701	Y	KIT, VALVE STEM NUT	1	7584 -
	2F-79701	Y	SEAL KIT	1	7584 -
44	4E-16490	Y	ROD, ICE MAKING & WASH WATER CONTROL	2	7584 -
45	4B-31460	Y	HANDLE, CONTROL ROD	2	7584 -
46	5M-33550	Y	SQUEEGEE	1	7584 -
47	1M-33560	Y	STRAP, SQUEEGEE RETAINING	1	7584 -
	HF-10013	Y	SCREW, S.S., HEX HEAD, 3/8-16 X 1-1/4	19	7584 -
	HF-10981	Y	NUT, S.S., HEX, NYLOCK, 3/8-16	19	7584 -
N/S	4R-00300	Y	LOWER SUPPORT BRCKT PVC	2	7584 -
48	5R-33600	Y	BAR, WATER SPREADER SUPPORT	1	7584 -
49	5P-33620	Y	TOWEL, WATER SPREADER	1	7584 -
	HF-08311	Y	SCREW, S.S., SKT FLAT HEAD, 5/16-18 X 1	17	7584 -
	HF-08981	Y	NUT, S.S., LOCK, 5/16-18	17	7584 -
50	5K-33640	Y	KIT, BEARING & WASHERS, BLADE ADJUSTING	2	7584 -
51	HF-22860	Y	WASHER, S.S., FLAT, 3/4	2	7584 -
52	1X-13500	Y	THRUST BEARING, BLADE ADJUSTING	2	7584 -
53	PL-0056B	Y	HOSE, REMOTE GREASING	2	7584 -
54	5T-30100	Y	BRACKET, REMOTE GREASING COUPLING	2	7584 -
55	1Z-01580	Y	FITTING, GREASE, REMOTE GREASING	2	7584 -
56	5H-0501A	Y	POLY-RUNNER, CONDITIONER	1	7584 -
	HF-06309	Y	SCREW, SS, SHCS, 1/4-20 X 5/8	10	7584 -
N/S	2H-08000	Y	TAPE, ANTI-SLIP, (FT.)	2.7'	7584 -
N/S	HA-12719	N	HYDRAULIC MOTOR JACK BOLT, 7/16-14, 2-3/4	2	7584-
N/S	HA-12980	N	NUT, 7/16-14	2	7584-
N/S	HA-12862	N	WASHER, SPLIT, 7/16	2	7584-
N/S	HA-12860	N	FLAT WASHER, USS, 7-16	2	7584-

# EXPLODED VIEW

**TO REMOVE PULLEY  
USE HF-18018, 5/8-11**

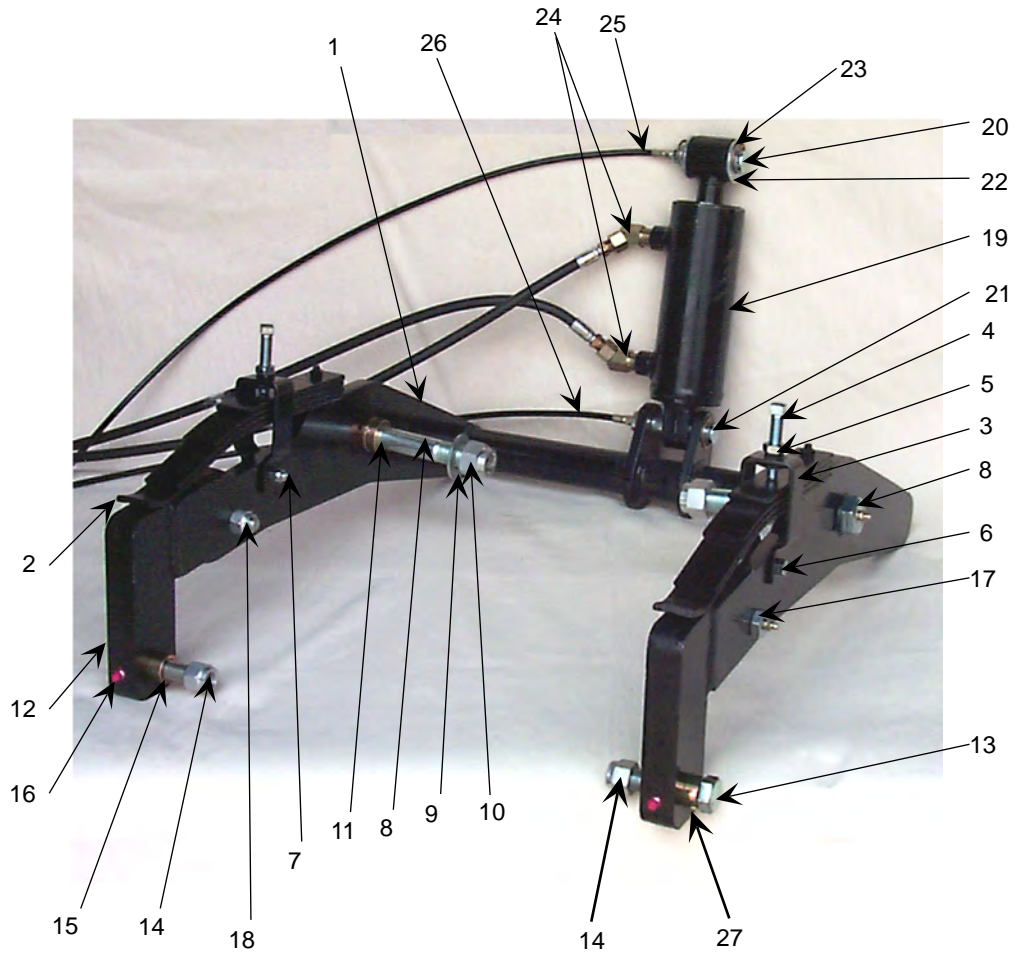


## PARTS LIST FOR 2P-37570 OR 3874 WATER PUMP

KEY	DESCRIPTION	QUANTITY REQUIRED	PART NUMBER	KIT 3758	KIT 3759	KIT 3760
1	Screw (End Cover)	5	9366	♦		
2	End Cover	1	9358	♦		
3	Gasket	1	816	♦		
4	Impeller	1	2P-33850 - Rubber 2P-33851 - Synthetic; 2P-33852 - Blue/Run dry			♦
5	Wear Plate	1	819	♦		
6	Body	1	2P-37575			
7	Screw (Cam)	1	HD-0640P			
8	Cam, Brass	1	9367	♦		
9	Pipe Plug	2	FL-18070			
10	Slinger	1	2P-3757A			
11	Seal (Bearing)	1	817		♦	
12	Ball Bearing (Pump)	1	9404			
13	Retaining Ring (Bearing to Body)	1	HA-7152A			
14	Retaining Ring (Bearing to Shaft)	1	HA-7076A			
15	Shaft	1	19-07000		♦	
16	Seal (Shaft)	1	9359	♦	♦	♦
17	Roll Pin (Adaptor)	2	15-81230			
18	Adaptor	1	2P-37580			
19	Key (Clutch Drive)	1	15-70505		♦	
20	Clutch Assy, Complete 12V	1	2A-6000H			
21	Field Coil (Replacement)	1	8F-37470			
	Bearing, Clutch	1	1X-6000H			

♦ = Kit, General Water Pump Repair Z<sup>®</sup> Part No. 3758  
 ▼ = Kit, Water Pump Shaft Replacement Z<sup>®</sup> Part No. 3759  
 ◆ = Kit, Service Water Pump Z<sup>®</sup> Part No. 3760

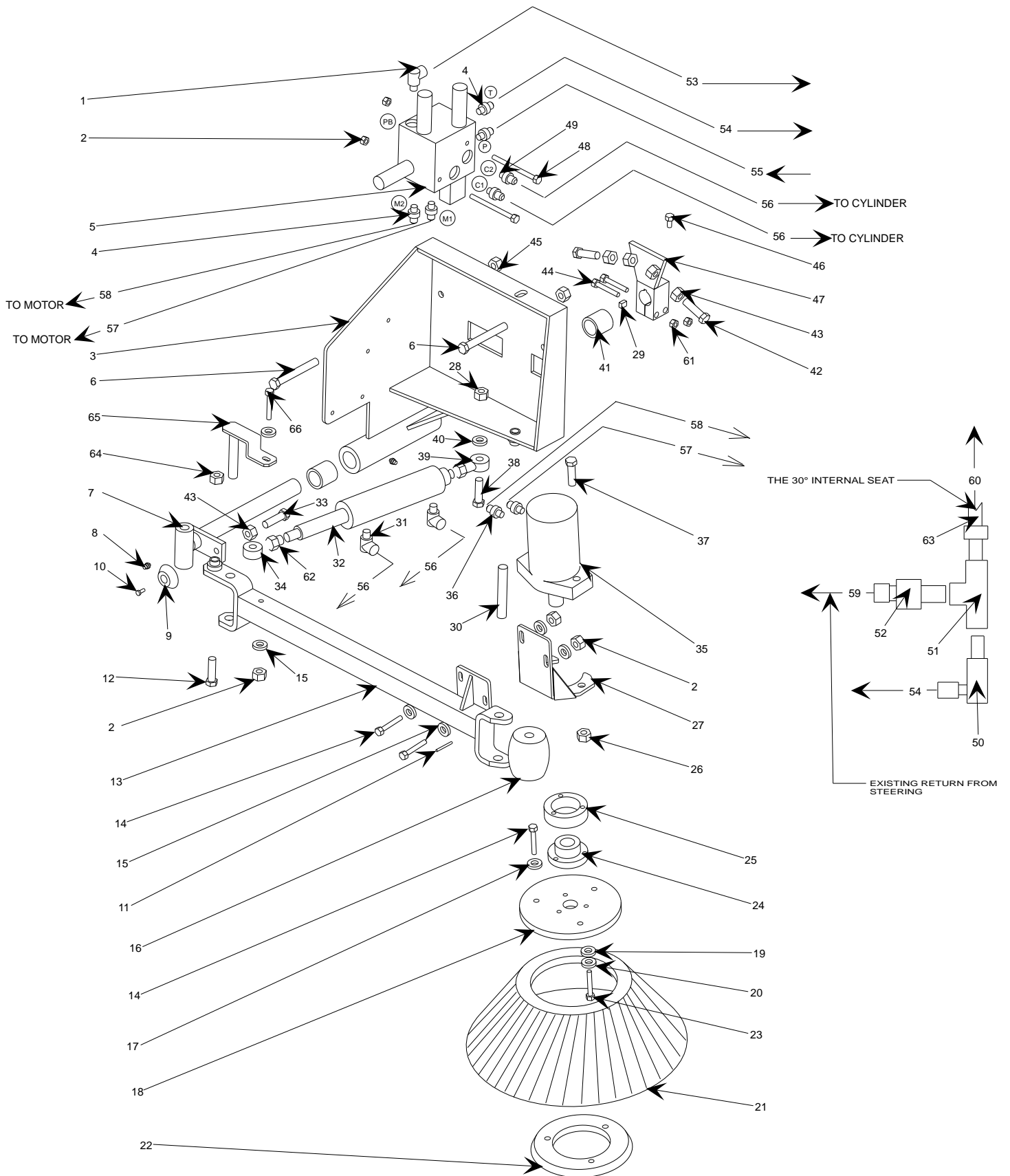
**GROUP 11.020 CONDITONER LIFT**



**Group 11.020 CONDITIONER LIFT**

IND	PART NO	COMMON to 500	DESCRIPTION	QTY	SERIAL NO
	5J-7777A	Y	LIFT BAR ASSEMBLY	1	7584 -
1	5J-77770	Y	LIFT BAR	1	7584 -
2	1L-67540	Y	SPRING, LEAF, DOWN PRESSURE	2	7584 -
3	38-77770	Y	GUIDE, CONDITIONER LEAF SPRING	2	7584 -
4	HD-1451F	Y	SCREW, SET, 1/2-13 X 2 1/2	2	7584 -
5	HA-14982	Y	NUT, HEX, 1/2-13	2	7584 -
6	HA-10015	Y	SCREW, HEX HEAD, 3/8-16 X 1 3/4	2	7584 -
7	HA-10981	Y	NUT, NY-LOCK, HEX HEAD, 3/8-16	2	7584 -
8	HD-3062D	Y	SCREW, W/ZERK, 1-8 X 6	2	7584 -
N/S	10-4828A	Y	TENSION BUSHING, 1-3/4 X 1 1/2 X 3/4	2	7584 -
9	HA-30861	Y	WASHER, FLAT, 1	2	7584 -
10	HA-30986	Y	NUT, HEX FLEXLOCK, 1-8	2	7584 -
11	10-39610	Y	BUSHING, 1 1/2 X 1 X 13/16	2	7584 -
12	5J-04020	Y	YOKE, LIFT ARM	2	7584 -
13	HA-22021	Y	SCREW, SHOULDER, 3/4-10 X 3 1/4	2	7584 -
14	HA-22986	Y	NUT, HEX FLEXLOCK, 3/4-10	2	7584 -
15	10-2424A	Y	BUSHING, YOKE TO LIFT BAR	2	7584 -
16	1Z-01580	Y	FITTING, GREASE, 1/8 NPT	2	7584 -
17	HD-1861F	Y	SCREW, W/ZERK, 5/8-11 X 2 1/2	2	7584 -
18	HA-18986	Y	NUT, HEX FLEXLOCK, 5/8-11	2	7584 -
N/S	10-71300	Y	BUSHING (INSIDE HOLES ON LIFT BAR)	2	7584 -
19	2X-3005A	Y	CYLINDER, CONDITIONER DOWN PRESSURE	1	7584 -
	2X-3005L	Y	SEAL KIT, CYLINDER	1	7584 -
20	16-70560	Y	PIN, PIVOT	1	7584 -
21	16-70570	Y	PIN, PIVOT	1	7584 -
22	HA-30861	Y	WASHER, FLAT, 1	2	7584 -
23	HA-7064A	Y	E-RING, EXTERNAL, 1 INCH SHAFT	2	7584 -
24	F2-75080	Y	FITTING, 45° ELBOW, 06FS X 08MP	2	7584 -
25	PL-0120B	Y	HOSE, LUBRICATION, 1/8 X 38	1	7584 -
26	PL-0130B	Y	HOSE, LUBRICATION, 1/8 X 48	1	7584 -
27	10-3220A	Y	TENSION BUSHING, 1 1/4 X 1 X 3/4	2	7584 -
N/S	10-3220B	Y	TENSION BUSHING, 1 1/4 X 1 X 1/2	4	7584 -
			(2 PCS UPPER CYLINDER MOUNT ON WASH WATER TANK)		
	KZ-09099		BUSHING & BOLT KIT, LIFT BAR	1	7584 -
			INCLUDES ITEMS 8,9,10,11,13,14,15,17,18,23, 10-71300 & GREASE FITTING CAPS		

**GROUP 12.010 BOARD BRUSH**



**Group 12.010 BOARD BRUSH**

IND	PART NO	COMMON to 500	DESCRIPTION	QTY	SERIAL NO
1	F1-69030	Y	FITTING, 90° ELBOW, 06MB X 06FS	1	7584 -
2	HA-08981	Y	NUT, LOCK, HEX, 5/16-18	5	7584 -
3	4F-55250	Y	WELDMENT, MOUNT PAN, BOARD BRUSH	1	7584 -
4	F1-62090	Y	FITTING, STRAIGHT, 06MB X 06MJ	4	7584 -
5	2V-9035A	Y	MANIFOLD, BB	1	7584 -
	2V-9045A	N	MANIFOLD, BB (FP)	1	
6	HA-13020	Y	SCREW, HEX HEAD, 7/16-20 X 3	3	7584 -
	HA-13021	Y	SCREW, HEX HEAD, 7/16-20 X 3 ¼	1	7584 -
7	4F-55106	Y	SHAFT, PIVOT ARM, BOARD BRUSH	1	7584 -
8	1Z-01620	Y	FITTING, GREASE, ¼-28 STRAIGHT	2	7584 -
9	8T-12530	Y	BUMPER	1	7584 -
10	HA-04706	Y	SCREW, FILLISTER HEAD, #10-32 X ½	1	7584 -
11	15-81116	Y	ROLL PIN	2,1	7584 -
12	HA-14017	Y	SCREW, HEX HEAD, ½-13 X 2¼	1	7584 -
13	4F-55005	Y	WELDMENT, BOARD BRUSH ARM	1	7584 -
14	HA-08011	Y	SCREW, HEX HEAD, 5/16-18 X 1	5	7584 -
15	HA-08860	Y	WASHER, FLAT, 5/16	6	7584 -
16	8R-0500A	Y	ROLLER	1	7584 -
17	HA-08862	Y	WASHER, LOCK, 5/16	3	7584 -
18	5V-62024	Y	PLATE, BOARD BRUSH UPPER	1	7584 -
19	N/A				
20	HA-06862	Y	WASHER, LOCK, 1/4	3	7584 -
21	5V-62020	Y	BRUSH	1	7584 -
22	5V-62022	Y	BRUSH RING, RETAINING	1	7584 -
23	HA-06012	Y	SCREW, SOCKET HEAD, ¼-20 X 1-3/8	3	7584 -
24	43-73380	Y	BUSHING	1	7584 -
25	5V-0500B	Y	ADAPTER	1	7584 -
26	HA-12981	Y	LOCKNUT, HEX, 7/16 X 4	2	7584 -
27	4F-55045	Y	BRACKET, MOTOR MTG.	1	7584 -
28	HA-15986	Y	NUT, LOCK, FLEX, ½-20	1	7584 -
29	15-02108	Y	KEY, ¼ SQUARE X 1¼	1	7584 -
30	15-62130	Y	PIN, HINGE	1	7584 -
31	F2-69010	Y	FITTING, 90° ELBOW, 02MP X 02FS	2	7584 -
32	2X-87600	Y	HYDRAULIC CYLINDER	1	7584 -
33	HA-14008	Y	SCREW, HEX HEAD, ½-13 X 1¼ W/ #10-32 THD	1	7584 -
34	4J-04060	Y	ROD END	1	7584 -
35	2M-62060	Y	HYDRAULIC MOTOR	1	7584 -
36	F1-62180	Y	FITTING, STRAIGHT, 10MB X 06MJ	2	7584 -
37	HA-12013	Y	SCREW, HEX HEAD, 7/16-14 X 1¼	2	7584 -
38	HA-15018	Y	SCREW, HEX HD, ½-20 X 2½	1	7584 -
39	4J-04050	Y	ROD END	1	7584 -
40	HA-14861	Y	FLATWASHER, ½	2	7584 -
41	10-3624H	Y	BUSHING	2	7584 -

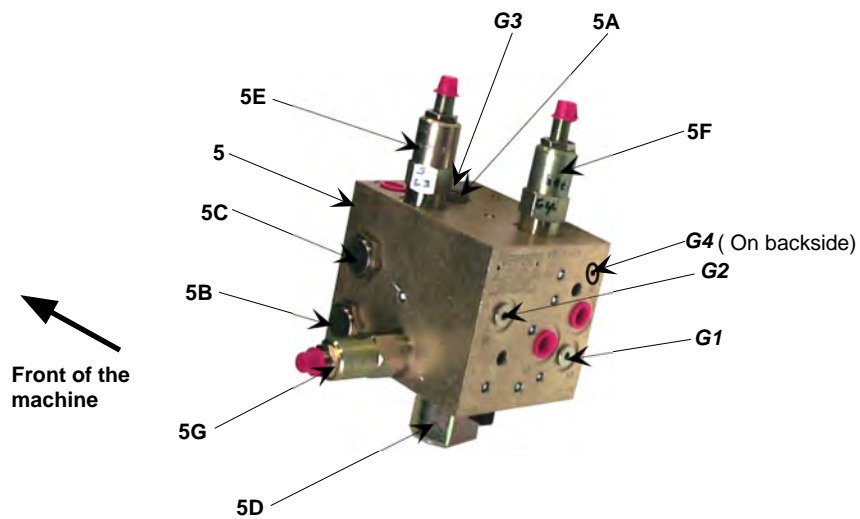
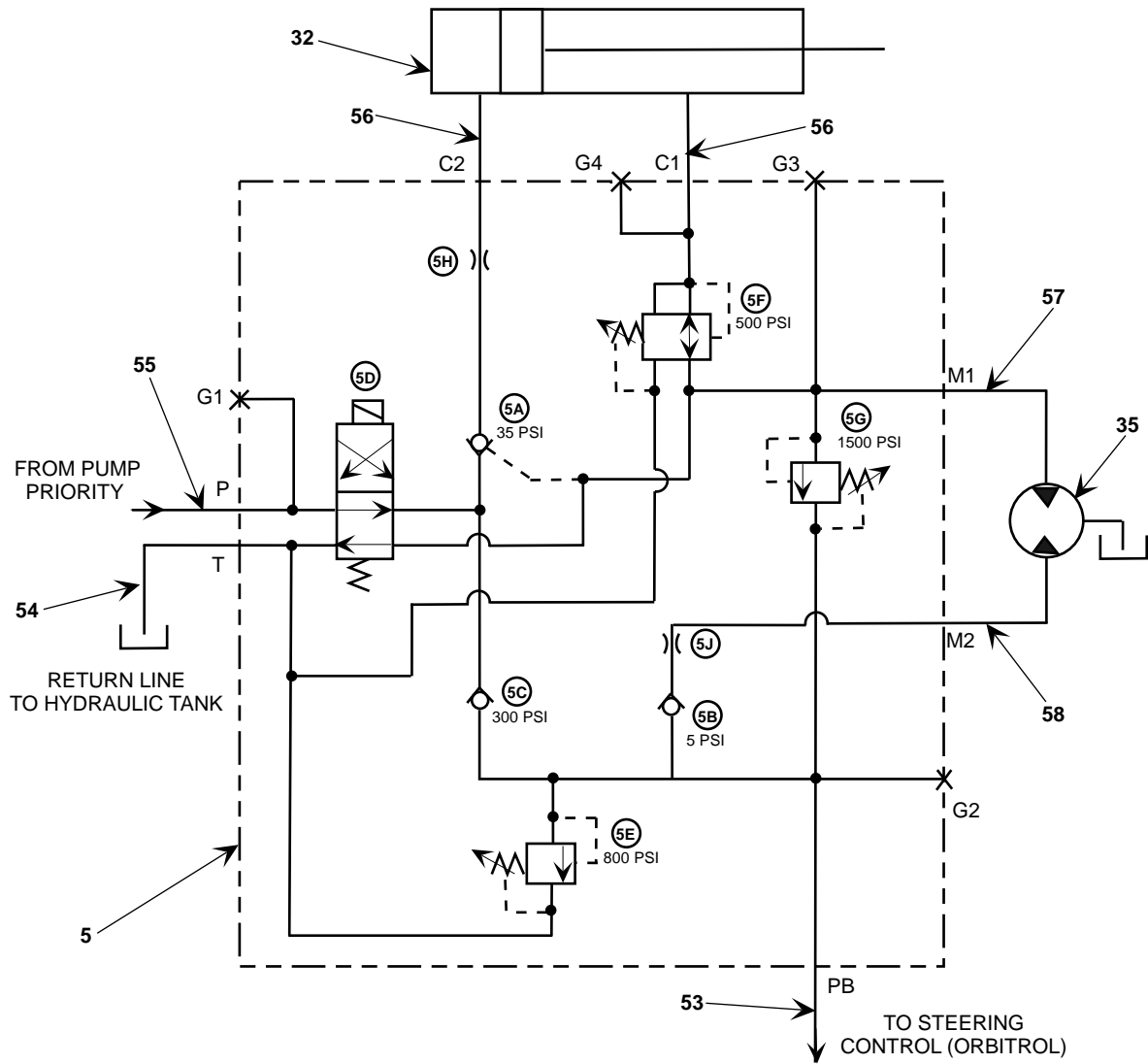
**Group 12.010 BOARD BRUSH**

IND	PART NO	COMMON to 500	DESCRIPTION	QTY	SERIAL NO
42	HA-14014	Y	SCREW, HEX HEAD, ½ -13 X 1½	2	7584 -
43	HA-14982	Y	NUT, HEX, THIN, ½-13	3	7584 -
44	HA-10017	Y	SCREW, HEX HEAD, 3/8-16 X 2¼	2	7584 -
45	HA-13981	Y	NUT, LOCK, HEX, 7/16-20	4	7584 -
46	HA-06009	Y	SCREW, HEX HEAD, ¼-20 X 3/4	1	7584 -
47	4F-55143	Y	STOP PLATE	1	7584 -
48	HA-08027	Y	SCREW, HEX HEAD, 5/16-18 X 5 3/4	2	7584 -
49	F1-62070	Y	FITTING, STRAIGHT, 06MB X 04MJ	2	7584 -
50	F2-69080	Y	FITTING, 90° ELBOW, 06FS X 06MP	1	7584 -
51	FL-81550	Y	FITTING, TEE, 06FP X 06FP X 06FP	1	7584 -
52	F2-64080	Y	FITTING, STRAIGHT, 06FS X 06MP	1	7584 -
53	PM-3540B	Y	HOSE, 3/8 X 135, 06MP X 06MP	1	7584 -
54	PM-3164C	Y	HOSE, 3/8 X 41, 06FJIC X 06MP	1	7584 -
55	PM-3184C	Y	HOSE, 3/8 X 46, 06FJIC X 06MP	1	7584 -
56	PM-1072A	Y	HOSE, ¼ X 18, 02MP X 04FJIC	2	7584 -
57	PM-3102B	Y	HOSE, 3/8 X 25, 06FJ X 06MP	1	7584 -
58	PM-3102A	Y	HOSE, 3/8 X 26, 06FJ X 06MP	1	7584 -
59	PM-3436D	Y	HOSE, 3/8 X 112, 06MP X 06MP	1	7584 -
60	F1-69050	Y	FITTING, 90° ELBOW, 08MB X 06FS	1	7584 -
61	HA-10981	Y	NUT, HEX, NY-LOCK, 3/8-16	2	7584 -
62	HA-15988	Y	NUT, HEX, THIN, ½-20	2	7584 -
63	FL-62260	Y	NIPPLE, HEX, BRASS, 06MP X 06MP	1	7584 -
64	HA-14986	Y	NUT, HEX, TRI-LOCK ½-13	2	7584 -
65	15-62140	Y	PIN, ARM	1	7584 -
66	HA-08017	Y	SCREW, HEX HEAD, 5/16-18 X 2¼	1	7584 -



## GROUP 12.010 BOARD BRUSH

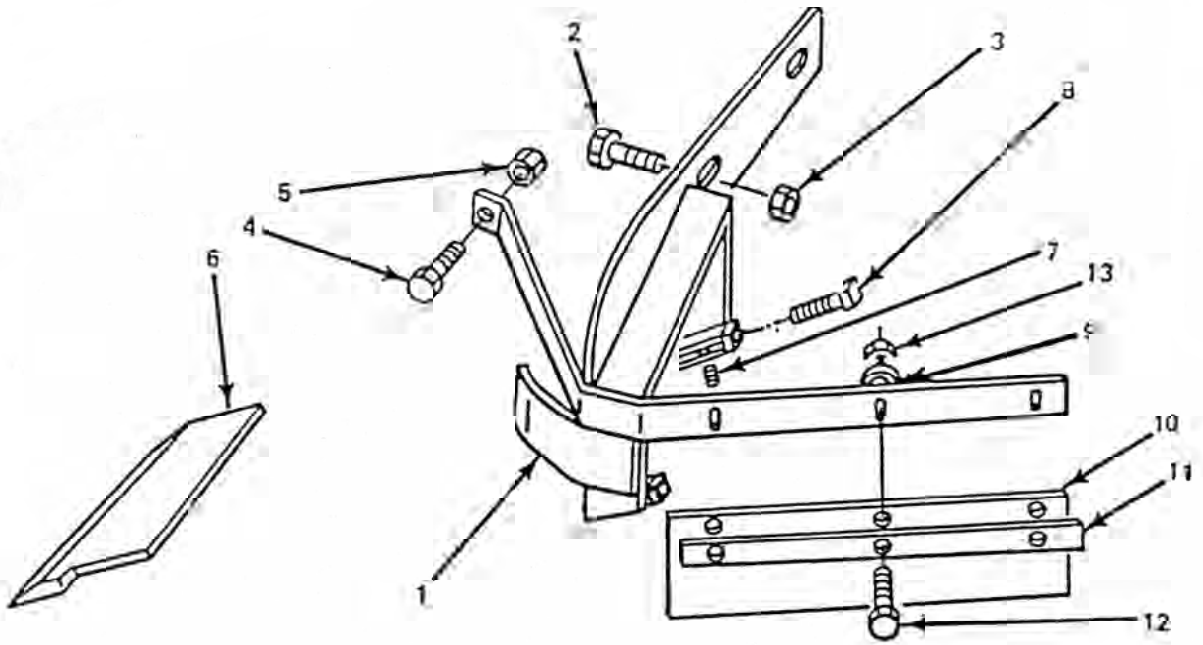
### Hydraulic Schematic



**Group 12.010 BOARD BRUSH**

IND	PART NO	COMMON to 500	DESCRIPTION	QTY	SERIAL NO
5	2V-9035A	Y	CONTROL VALVE MANIFOLD BLOCK	1	7584 -
	2V-9045A	N	CONTROL VALVE MANIFOLD BLOCK	1	
5A	2V-9035B	Y	CHECK VALVE 35 PSI, MANIFOLD BLOCK	1	7584 -
5B	2V-9035C	Y	CHECK VALVE, 5 PSI, MANIFOLD BLOCK	1	7584 -
5C	2V-9035D	Y	CHECK VALVE, 300 PSI, MANIFOLD BLOCK	1	7584 -
5D	2V-9035E	Y	SOLENOID VALVE, MANIFOLD BLOCK	1	7584 -
	2V-9029C	Y	COIL, SOLENOID VALVE, MANIFOLD BLOCK	1	7584 -
5E	2V-9035F	Y	RELIEF VALVE, 800 PSI, MANIFOLD BLOCK	1	7584 -
5F	2V-9035H	Y	PRESSURE REDUCING VALVE, MANIFOLD BLOCK	1	7584 -
	2V-9035L	Y	SEAL KIT FOR 2V-9035H	1	7584 -
5G	2V-9035G	Y	RELIEF VALVE, 1500 PSI, MANIFOLD BLOCK	1	7584 -
	2V-9035M	Y	SEAL KIT FOR 2V-9035F & G	1	7584 -
5H	2V-9035J	Y	REMOVABLE ORIFICE, MANIFOLD BLOCK	1	7584 -
5J	2V-9035K	Y	REMOVABLE ORIFICE, MANIFOLD BLOCK	1	7584 -

**GROUP 13.010 ZAMBONI EDGER ATTACHMENT**



**Group 13.010 ZAMBONI EDGER ATTACHMENT**

IND	PART NO	COMMON to 500	DESCRIPTION	QTY	SERIAL NO
	KZ-74820	Y	EDGER KIT, INCLUDING ITEMS 1 THRU 13	1	7584 -
1	5E-71200	Y	FRAME, EDGER	1	7584 -
2	HA-18015	Y	SCREW, HEX HEAD, 5/8-11 X 1-3/4	2	7584 -
3	HA-18986	Y	NUT, HEX TRI-LOCK, 5/8-11	2	7584 -
4	HA-14014	Y	SCREW, HEX HEAD, 1/2-13 X 1 1/2	1	7584 -
5	HA-14986	Y	NUT, HEX TRI-LOCK, 1/2-13	1	7584 -
6	5E-71770	Y	BLADE, EDGER	1	7584 -
7	HD-0840F	Y	SOCKET SET SCREW, 5/8-16 X 3/8	2	7584 -
8	HD-1451F	Y	SET SCREW, SQUARE HEAD, 1/2-13 X 2 1/2	2	7584 -
9	HF-10860	Y	WASHER, S.S., FLAT, 3/8	3	7584 -
10	5M-76500	Y	SQUEEGEE, EDGER	1	7584 -
11	1M-33780	Y	BAR, SQUEEGEE, RETAINING	1	7584 -
12	HF-10014	Y	SCREW, S.S., HEX HEAD, 3/8-16 X 1 1/2	3	7584 -
13	HF-10981	Y	NUT, S.S., LOCK, HEX, 3/8-16	3	7584 -