

# PARTS LIST

MODEL  
**546**



# ZAMBONI®

## ZAMBONI USA

Frank J. Zamboni & Co., Inc.  
15714 Colorado Ave, Paramount CA 90723 U.S.A.  
Phone: 562.633.0751 Fax: 562.633.9365

## ZAMBONI CANADA

Zamboni Company Ltd.  
38 Morton Ave. East., Box 1388, Brantford Ontario, N3T 5T6 Canada  
Phone: 519.758.5000 Fax: 519.758.0500

DM-54610 / REV 12/16

---

## IMPORTANT SAFETY NOTICE

In addition to following proper operational procedures, periodic lubrication and maintenance is important for the safe and reliable performance of your Zamboni ice resurfacing machine.

Improper operation, improper maintenance or lack of maintenance of this machine is dangerous and could result in injury or death.

Read, understand and observe all safety precautions, warnings and labels described in this machine's Operating Instructions before performing lubrication or maintenance and prior to operating this machine.

These warnings in the manuals and on the machine are identified by the symbol:

### DANGER



Operations that may cause product damage are identified on the product and in this publication. Zamboni cannot anticipate every possible circumstance that might involve potential hazard.

### DANGER



Do not operate or perform maintenance on this machine unless you have read and understood the machine's Operating Instructions. Improper machine operation and maintenance is dangerous and could result in injury or death. Contact Zamboni for free replacement manuals. Proper operation and maintenance is your responsibility.

---

This Parts List is applicable to this Zamboni ice resurfer and includes identification of optional equipment not present on all machines.

The right column of the Parts List indicates the serial number range of the machines for which a given part is applicable. Items which are listed without an index number are usually closely related to the preceding indexed item and in most cases identify a fastener used with that indexed item.

### WHEN ORDERING REPLACEMENT PARTS, PLEASE SUPPLY THE FOLLOWING:

- Part Number (please use the new part number if old and new are listed)
- Description
- Quantity required
- Model number and serial number of your machine
- Shipping instructions (air, surface, parcel post)

For a list of the most current publications or if you have any questions regarding the correct part number for your machine, please contact our customer service department:

#### ZAMBONI USA

Frank J. Zamboni & Co., Inc.

15714 Colorado Ave, Paramount CA 90723 U.S.A.

Phone: 562.633.0751 Fax: 562.633.9365

#### ZAMBONI CANADA

Zamboni Company Ltd.

38 Morton Ave. East., Box 1388, Brantford Ontario, N3T 5T6 Canada

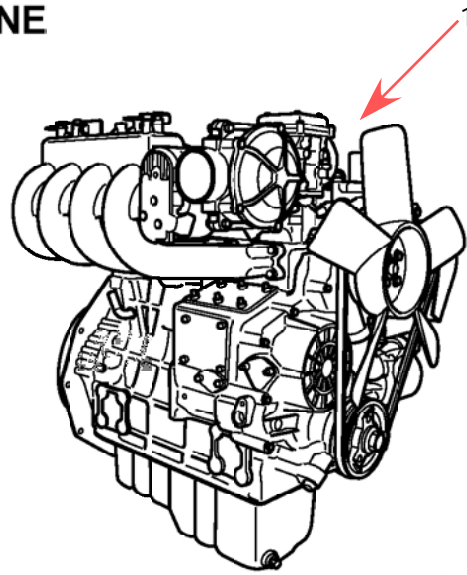
Phone: 519.758.5000 Fax: 519.758.0500

**ZAMBONI®**  
**MODEL 546 PARTS LIST**  
**CONTENTS**

<b><u>GROUP</u></b>	<b><u>DESCRIPTION</u></b>
1.1	ENGINE
1.2	ENGINE COOLING
1.3	ENGINE EXHAUST SYSTEM
1.4	ENGINE FUEL SYSTEM - LPG
1.5	ENGINE FUEL SYSTEM - GAS
1.6	POWER TRAIN
1.7	TRANSFER CASE
2.1	ELECTRICAL SYSTEM
3.1	AXLES, DRIVE SHAFTS, WHEELS, TIRES, & SUSPENSION
3.2	FRONT AXLE
3.3	REAR AXLE
4.1	HYDROSTAT CONTROL
4.2	STEERING SYSTEM
4.3	BRAKING SYSTEM
5.1	INSTRUCTION PLATES & NAMEPLATES
5.2	BODY PANELS
6.1	VERTICAL CONVEYOR
7.1	HYDROSTATIC DRIVE SYSTEM
7.2	HYDRAULIC SYSTEM
7.3	HYDRAULIC ACCESSORY PUMP
7.4	CHECK VALVE MANIFOLD & HAND PUMP
7.5	HYDRAULIC OIL TANK
7.6	HYDRAULIC CONTROL VALVES
8.1	SNOW TANK
9.1	ICE MAKING WATER TANK
9.2	WASH WATER TANK (W/O WASH WATER TRANSFER SYSTEM)
10.1	OPERATOR PLATFORM
11.1	CONDITIONER
11.2	CONDITIONER LIFT
12.1	BOARD BRUSH
13.1	EDGER ATTACHMENT

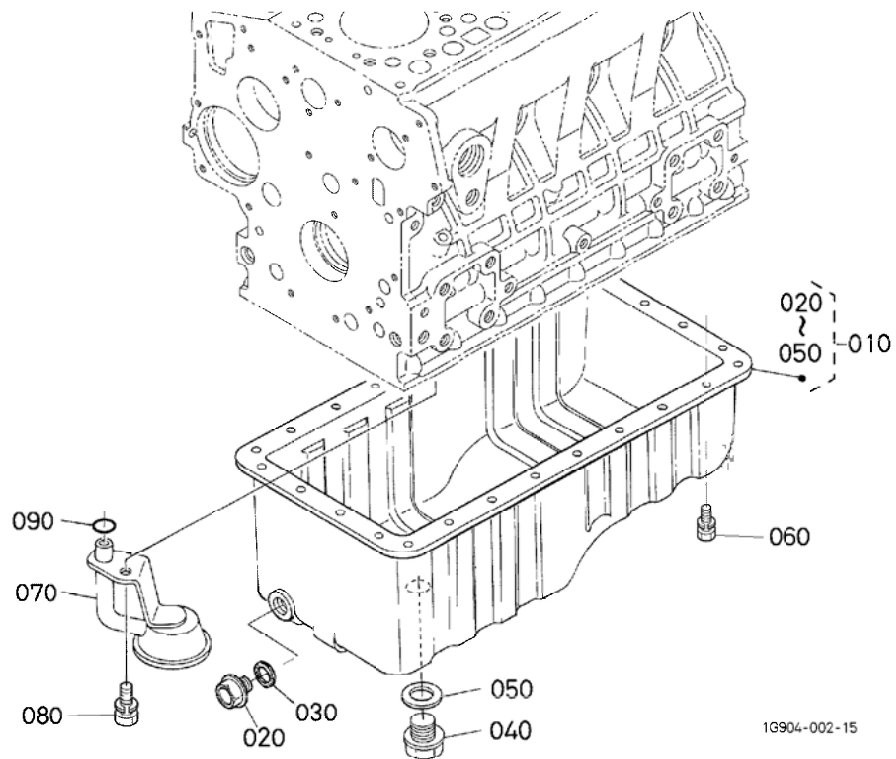
**GROUP 1.1 - ENGINE**

**ENGINE**



**000200 OIL PAN**

---



**1.1-A**



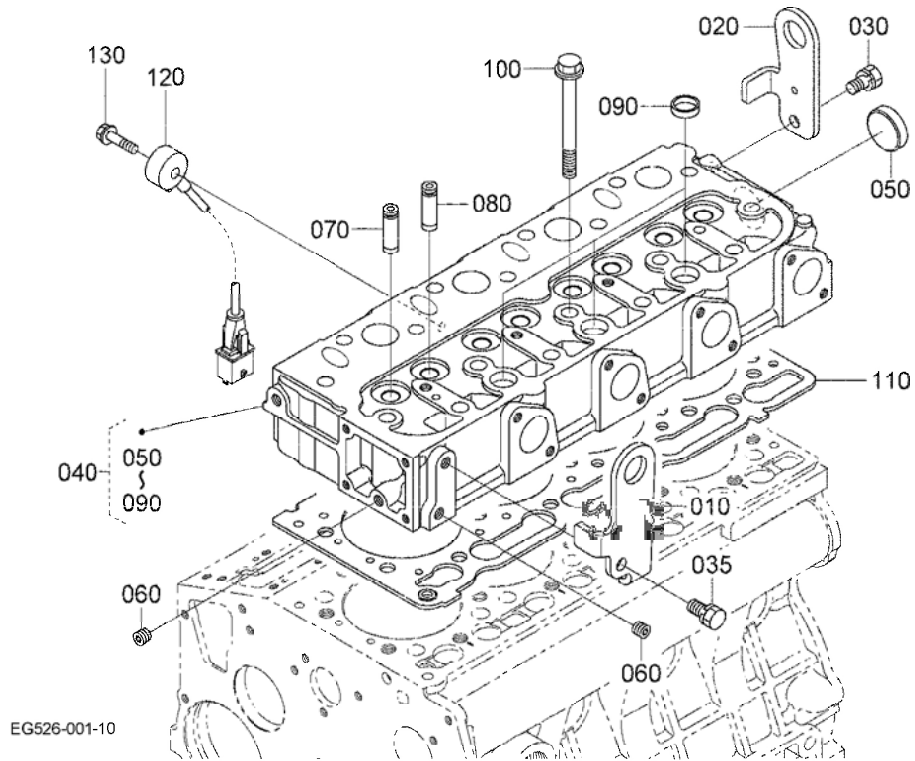
**GROUP 1.1 - ENGINE**

IND	PART NO	COMMON to 500	DESCRIPTION	QTY	SERIAL NO
<b>ENGINE</b>					
1	3A-0546L	N	ENGINE, KUBOTA 1.6L, LP	1	10133 -
	3A-0546G	N	ENGINE, KUBOTA 1.6L, GAS	1	10133 -
<b>OIL PAN</b>					
010	3L-0546A	N	KIT, OIL PAN	1	10133 -
020	3L-0546B	N	PLUG, DRAIN	1	10133 -
030	2D-1546Y	N	GASKET, DRAIN PLUG, FRONT	1	10133 -
040	3L-0546D	N	PLUG, DRAIN	1	10133 -
050	2D-1546Z	N	GASKET, DRAIN PLUG, BOTTOM	1	10133 -
060	3L-0546F	N	BOLT, SEMS	26	10133 -
070	3L-0546G	N	FILTER, OIL PAN	1	10133 -
080	3A-0546B	N	BOLT, SEMS	1	10133 -
090	3L-0546J	N	O-RING	1	10133 -

**GROUP 1.1 - ENGINE**

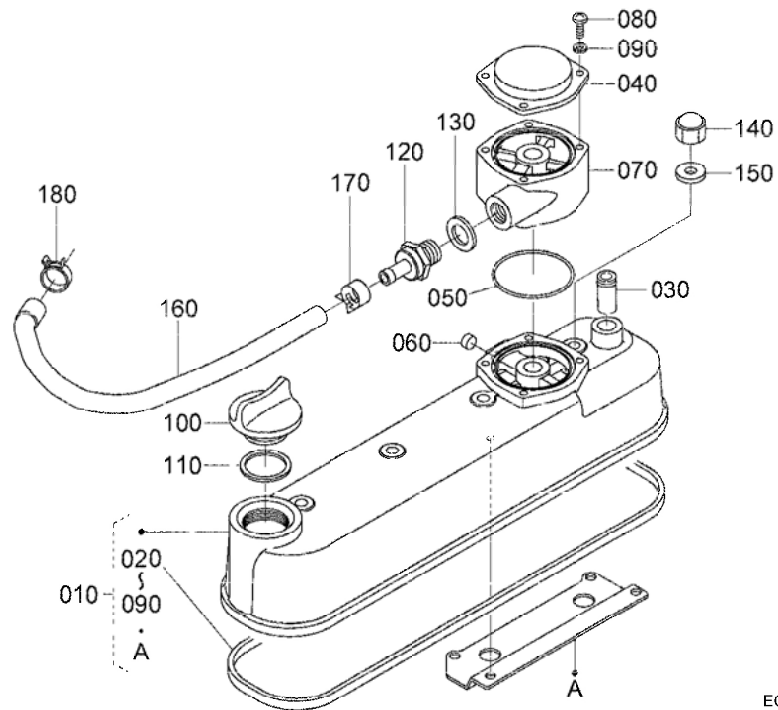
**000300 CYLINDER HEAD**

---



**000500 HEAD COVER**

---



**GROUP 1.1 - ENGINE**

IND	PART NO	COMMON to 500	DESCRIPTION	QTY	SERIAL NO
-----	---------	------------------	-------------	-----	-----------

**CYLINDER HEAD**

010	5T-0546C	N	BRACKET, REAR	1	10133 -
020	5T-0546D	N	BRACKET, LEFT	1	10133 -
030	3A-0546A	N	BOLT, SEMS	1	10133 -
035	3A-0546B	N	BOLT, SEMS	1	10133 -
040	3A-0546C	N	CYLINDER HEAD ASSY, GAS	1	10133 -
	3A-0546H	N	CYLINDER HEAD ASSY, LP	1	10133 -
050	3A-0546D	N	CAP, SEALING, REAR	1	10133 -
060	3A-0546E	N	PLUG	2	10133 -
070	3A-0546F	N	GUIDE, INLET VALVE	4	10133 -
080	3A-0546J	N	GUIDE, EXHAUST VALVE	4	10133 -
090	3A-0546K	N	CAP, SEALING	3	10133 -
100	3A-0546M	N	BOLT, CYLINDER HEAD	9	10133 -
110	2D-1546A	N	GASKET, CYL HEAD	1	10133 -
120	3H-5460H	N	SENSOR, KNOCK	1	10133 -
130	3A-0546N	N	BOLT, KNOCK SENSOR	1	10133 -

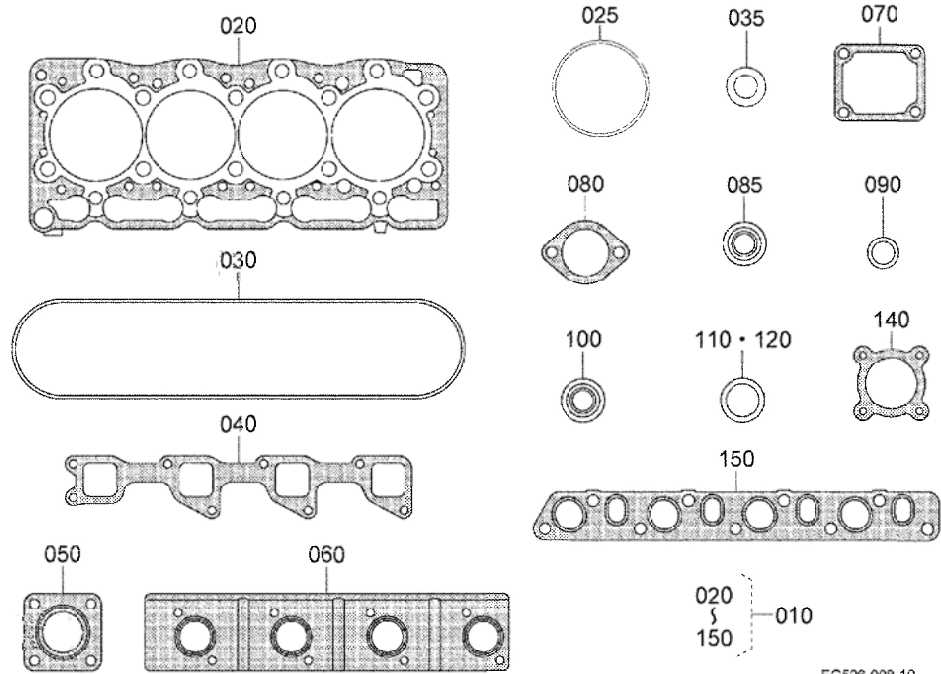
**HEAD COVER**

010	3A-0546P	N	VALVE COVER	1	10133 -
020	2D-1546B	N	GASKET, HEAD COVER	1	10133 -
030	3C-0546F	N	PIPE, WATER RETURN	1	10133 -
040	3A-0546Q	N	COVER, BREATHER	1	10133 -
050	2F-0546A	N	O-RING, BREATHER	2	10133 -
060	3A-0546U	N	CAP, SEALING	1	10133 -
070	3A-0546V	N	SPACER, BREATHER	1	10133 -
080	3A-0546W	N	SCREW, BREATHER	4	10133 -
090	3A-0546X	N	WASHER, SPRING LOCK	4	10133 -
100	3L-0546K	N	PLUG, OIL FILLER	1	10133 -
110	2F-0546B	N	O-RING, OIL FILLER PLUG	1	10133 -
120	3A-0546Y	N	VALVE, PCV	1	10133 -
130	2E-0546F	N	PACKING, PCV	1	10133 -
140	3A-05461	N	NUT	4	10133 -
150	2D-1546G	N	GASKET, VALVE COVER NUT	4	10133 -
160	3A-05462	N	TUBE, BREATHER	1	10133 -
170	3A-05463	N	CLAMP, HOSE	1	10133 -
180	3A-05464	N	BAND, PIPE	1	10133 -

**GROUP 1.1 - ENGINE**

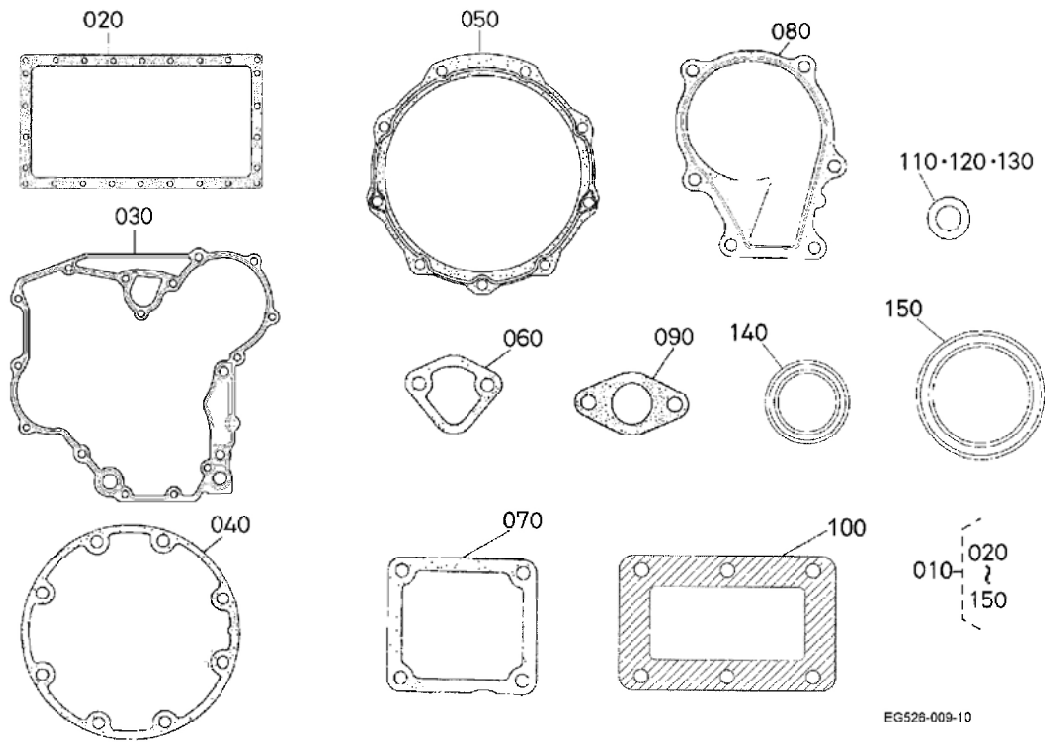
**090001 UPPER GASKET KIT[OPTION]**

---



**090002 LOWER GASKET KIT[OPTION]**

---



**GROUP 1.1 - ENGINE**

IND	PART NO	COMMON to 500	DESCRIPTION	QTY	SERIAL NO
<b>UPPER GASKET KIT</b>					
010G	KV-0546G	N	KIT, GASKET, UPPER, GAS (INCL ALL ITEMS BELOW)	1	10133 -
010L	KV-0546L	N	KIT, GASKET, UPPER, LP (INCL ALL ITEMS BELOW)	1	10133 -
020	2D-1546A	N	GASKET, CYL HEAD	1	10133 -
025	2F-0546A	N	O-RING, BREATHER	2	10133 -
030	2D-1546B	N	GASKET, HEAD COVER	1	10133 -
035	2E-0546F	N	PACKING, PCV	1	10133 -
040	2D-1546C	N	GASKET, INLET MANIFOLD	1	10133 -
050	2D-1546D	N	GASKET, EXHAUST MANIFOLD OUTLET	1	10133 -
060	3D-54640	N	GASKET, EXHAUST MANIFOLD INLET	1	10133 -
070	2D-1546E	N	GASKET, WATER FLANGE	1	10133 -
080	2D-1546F	N	GASKET, THERMOSTAT	1	10133 -
085	3C-0546J	N	WASHER, SEAL, COOLANT TEMP	1	10133 -
090	2F-0546B	N	O-RING, OIL FILLER PLUG	1	10133 -
100	2D-1546G	N	GASKET, VALVE COVER NUT	4	10133 -
110	2E-0546B	N	SEAL, INLET VALVE STEM	4	10133 -
120	2E-0546C	N	SEAL, OUTLET VALVE STEM	4	10133 -
140	2D-1546H	N	GASKET, THROTTLE BODY	1	10133 -
150G	2D-1546J	N	GASKET, INJECTOR FLANGE, GAS	1	10133 -
150L	2D-15463	N	GASKET, INJECTOR FLANGE, LP	4	10133 -

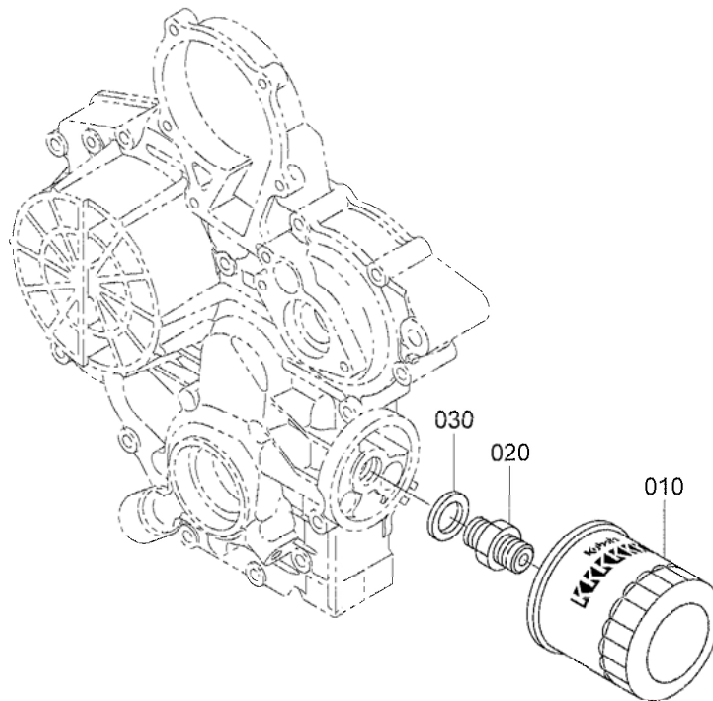
**LOWER GASKET KIT**

010	KV-05465	N	KIT, GASKET, LOWER (INCL ALL ITEMS BELOW)	1	10133 -
020	2D-1546K	N	GASKET, OIL PAN	1	10133 -
030	2D-1546L	N	GASKET, GEAR CASE	1	10133 -
040	2D-1546M	N	GASKET, BEARING CASE	1	10133 -
050	2D-1546N	N	GASKET, BEARING CASE COVER	1	10133 -
060	2D-1546P	N	GASKET, FUEL PUMP, GASOLINE	1	10133 -
070	2D-1546Q	N	GASKET, COVER	1	10133 -
080	2D-1546T	N	GASKET, WATER PUMP	1	10133 -
090	2D-1546W	N	GASKET, FORK LEV SHAFT COVER	1	10133 -
100	13-0546A	N	SHIM, INJECTION PUMP COVER	1	10133 -
110	2D-1546X	N	GASKET, BOLT	4	10133 -
120	2D-1546Y	N	GASKET, DRAIN PLUG, FRONT	1	10133 -
130	2D-1546Z	N	GASKET, DRAIN PLUG, BOTTOM	1	10133 -
140	2E-0546D	N	SEAL, OIL, GEAR CASE	1	10133 -
150	2E-0546E	N	SEAL, OIL, MAIN BEARING CASE	1	10133 -

**GROUP 1.1 - ENGINE**

**000600 OIL FILTER**

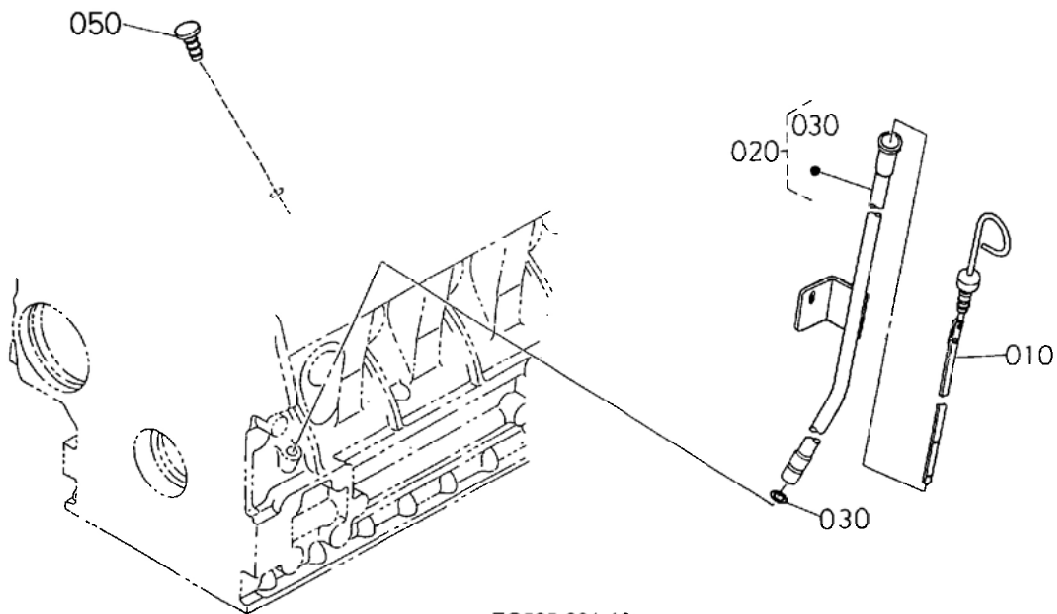
---



EG525-012-10

**000700 DIPSTICK AND GUIDE**

---



EG525-001-10

Zamboni Model 546

**GROUP 1.1 - ENGINE**

IND	PART NO	COMMON to 500	DESCRIPTION	QTY	SERIAL NO
-----	---------	------------------	-------------	-----	-----------

**OIL FILTER**

010	3R-0546A	N	OIL FILTER	1	10133 -
020	3R-0546B	N	JOINT, PIPE, OIL FILTER	1	10133 -
030	3R-0546C	N	WASHER, OIL FILTER	1	10133 -

ENGINE OIL: SAE 10W-30, 6L (1.58 GAL)

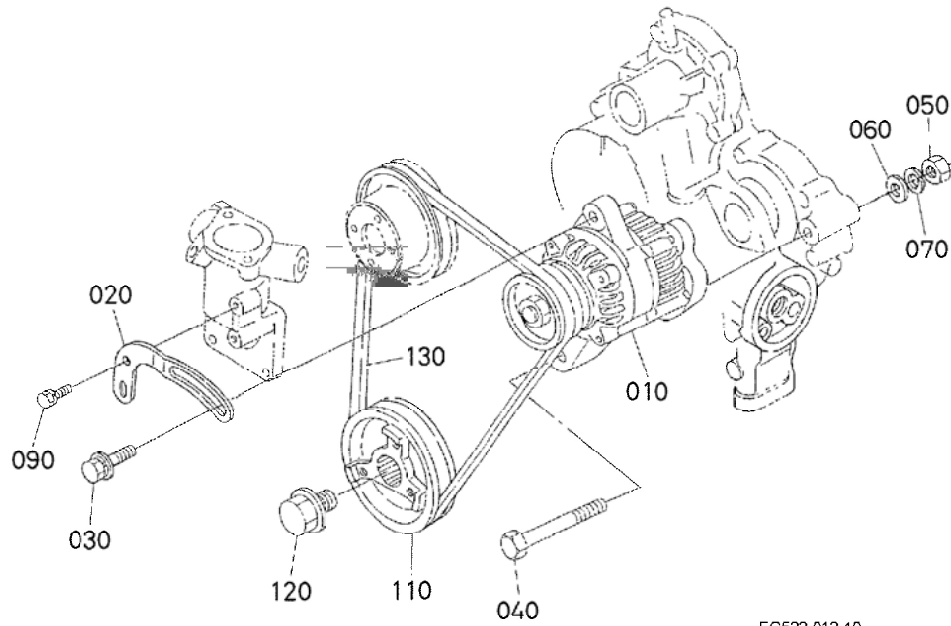
**DIPSTICK AND GUIDE**

010	3L-54650	N	GAUGE, OIL	1	10133 -
020	3L-54651	N	ASSY GUIDE, OIL GAUGE	1	10133 -
030	3L-54652	N	O-RING, OIL GAUGE	1	10133 -
050	3L-54653	N	PLUG, OIL GAUGE	1	10133 -

**GROUP 1.1 - ENGINE**

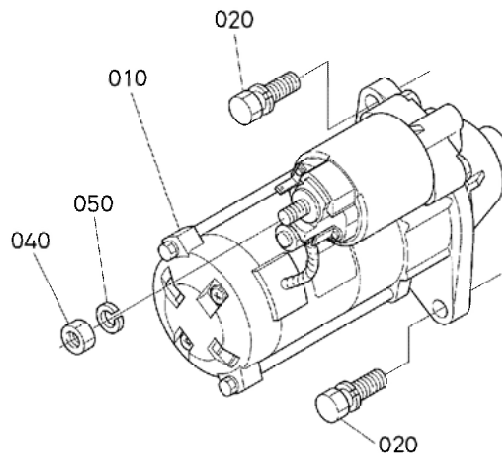
**040200 ALTERNATOR AND PULLEY**

---



**040400 STARTER**

---





**GROUP 1.1 - ENGINE**

IND	PART NO	COMMON to 500	DESCRIPTION	QTY	SERIAL NO
<b>ALTERNATOR AND PULLEY</b>					
010	3E-1546A	N	ALTERNATOR	1	10133 -
020	5T-1546A	N	BRACKET, ALTERNATOR	1	10133 -
030	3E-1546B	N	BOLT, SEMS, ALT BRACKET	1	10133 -
040	3E-1546C	N	HEX BOLT	1	10133 -
050	3E-1546D	N	HEX NUT	1	10133 -
060	3E-1546E	N	WASHER	1	10133 -
070	3E-1546F	N	WASHER, SPRING LOCK	1	10133 -
090	3E-1546G	N	BOLT, SEMS, ALTERNATOR	1	10133 -
110	3C-0546B	N	PULLEY, CRANKSHAFT	1	10133 -
120	3C-0546A	N	BOLT, CRANKSHAFT PULLEY	1	10133 -
130	42-05460	N	BELT, FAN & ALTERNATOR	1	10133 - 10162
	42-05462	N	BELT, FAN & ALTERNATOR, V2	1	10163 -

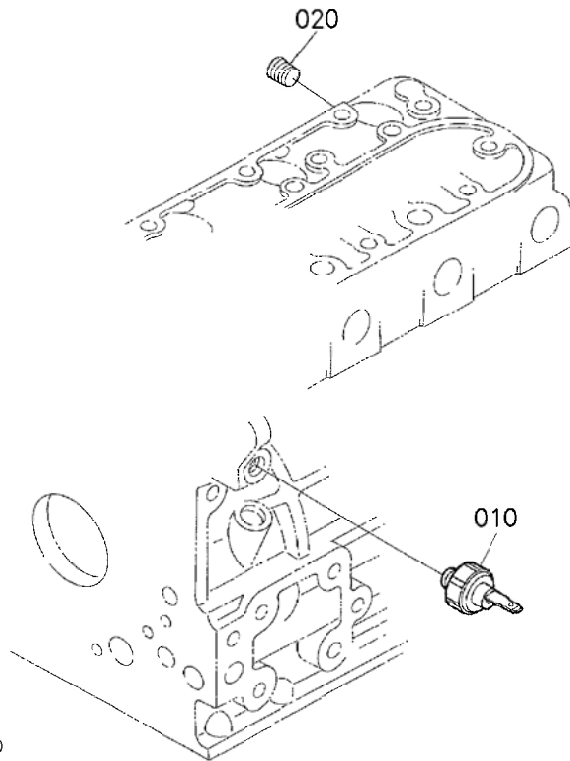
**STARTER**

010	3E-54600	N	STARTER MOTOR	1	10133 -
020	3E-5460A	N	BOLT, SEMS	2	10133 -
040	3E-5460B	N	HEX NUT	1	10133 -
050	3E-5460C	N	WASHER, SPRING LOCK	1	10133 -

**GROUP 1.1 - ENGINE**

**040600 OIL SWITCH/THERMOMETER**

---



EG525-018-10

Zamboni Model 546

**GROUP 1.1 - ENGINE**

IND	PART NO	COMMON to 500	DESCRIPTION	QTY	SERIAL NO
-----	---------	------------------	-------------	-----	-----------

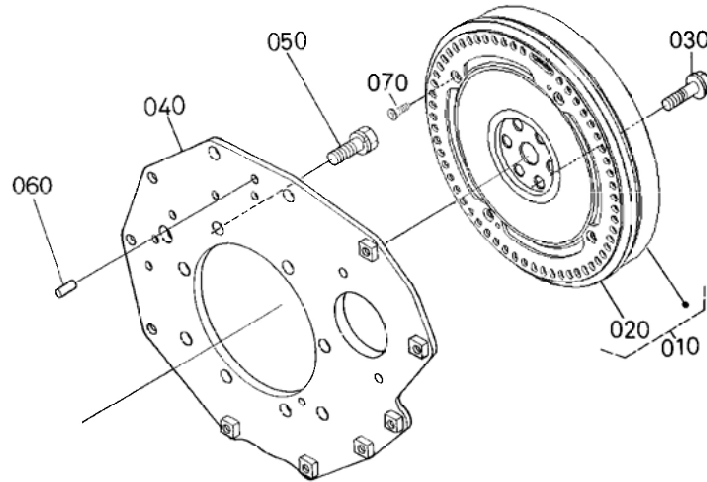
**OIL SWITCH/THERMOMETER**

010	3L-0546L	N	SWITCH, OIL	1	10133 -
020	3L-0546M	N	PLUG	1	10133 -

**GROUP 1.1 - ENGINE**

**010300 FLYWHEEL**

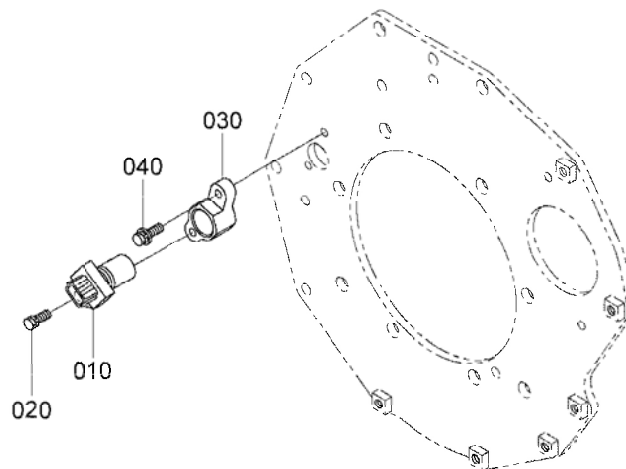
---



EG525-007-10

**026000 SENSOR(ENGINE)**

---



EG525-015-10

**GROUP 1.1 - ENGINE**

IND	PART NO	COMMON to 500	DESCRIPTION	QTY	SERIAL NO
-----	---------	------------------	-------------	-----	-----------

**FLYWHEEL**

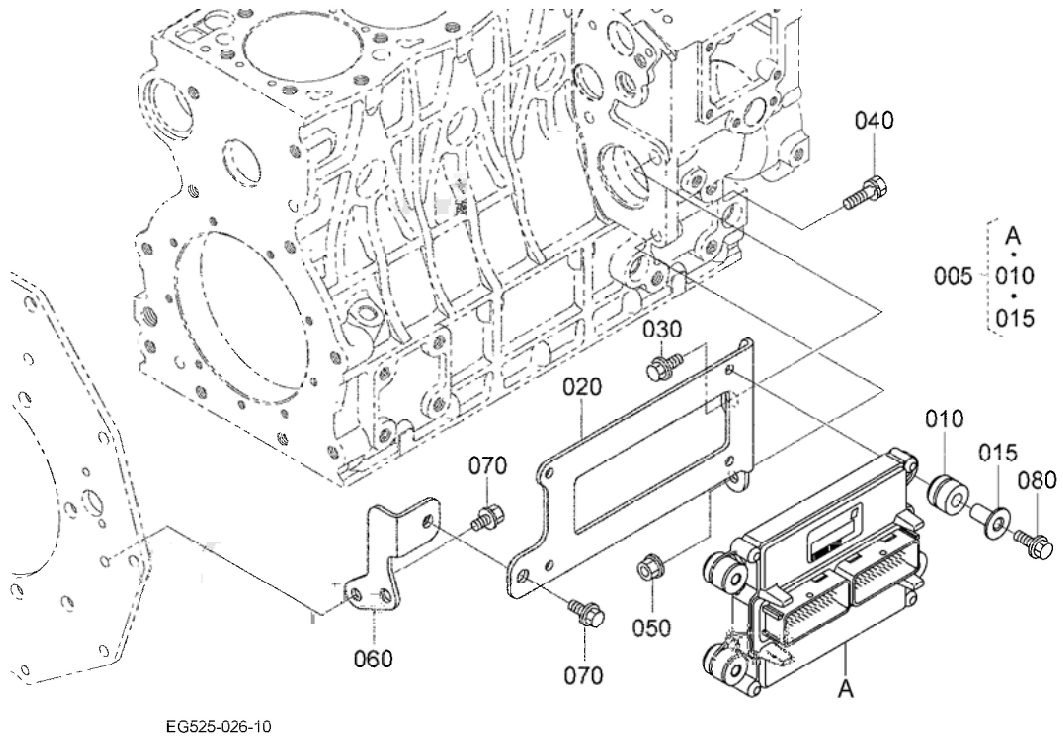
010	3B-05460	N	FLYWHEEL, COMPLETE	1	10133 -
020	3B-05461	N	GEAR, RING	1	10133 -
030	3B-05462	N	BOLT, FLYWHEEL	6	10133 -
040	3B-05463	N	PLATE, MOUNT, BELLHOUSING	1	10133 -
050	3B-05464	N	BOLT, BELLHOUSING MOUNT	8	10133 -
060	3B-05465	N	PIN, STRAIGHT	2	10133 -
070	3B-05466	N	SCREW, FLAT HEAD (PHILLIPS)	4	10133 -

**SENSOR(ENGINE)**

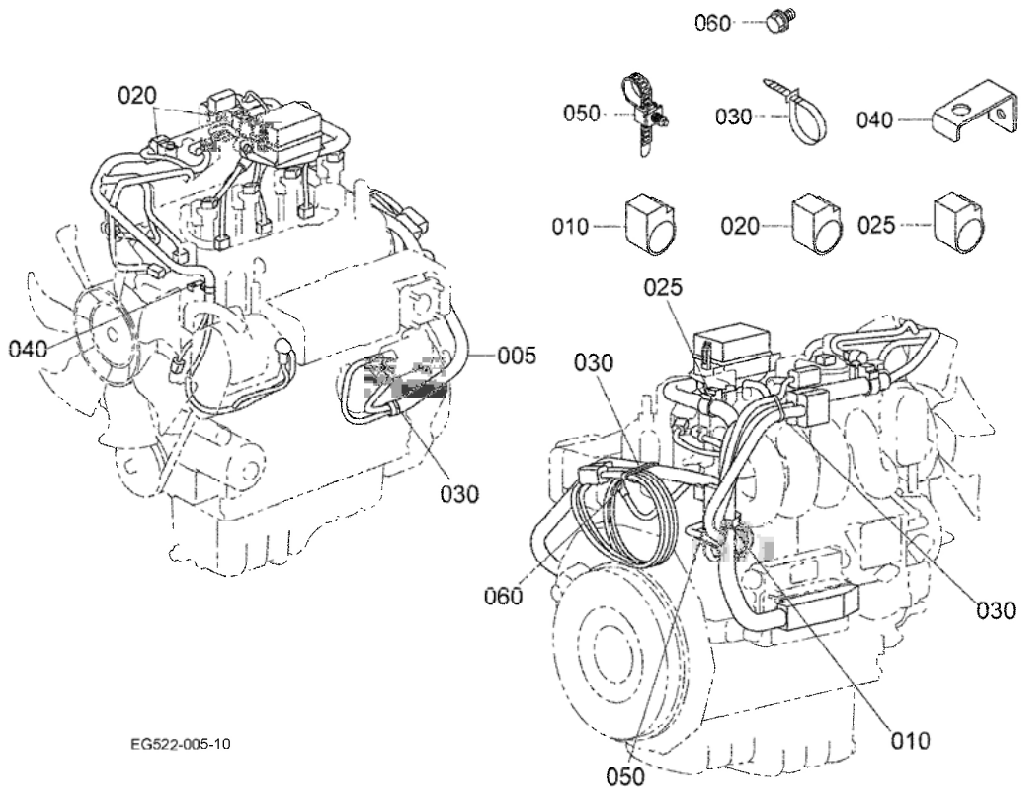
010	3H-5460J	N	SPEED (CRANK) SENSOR	1	10133 -
020	3F-0546L	N	BOLT, FLANGE, END, FUEL DEL PIPE/SENSOR	1	10133 -
030	3H-5460K	N	HOLDER, SPEED SENSOR	1	10133 -
040	3E-5464A	N	BOLT, FLANGE, IGN COIL/SENSOR	1	10133 -

**GROUP 1.1 - ENGINE**

**080700 ECU**



**080602 WIRE HARNESS**



**GROUP 1.1 - ENGINE**

IND	PART NO	COMMON to 500	DESCRIPTION	QTY	SERIAL NO
<b>ECU</b>					
005	3H-5460G	N	ECU ASSY, GAS	1	**10133 -
	3H-5460L	N	ECU ASSY, LP	1	**10133 -
010	3H-54600	N	ISOLATOR, ECU	4	10133 -
015	3H-54605	N	SPACER, ECU	4	10133 -
020	3H-54610	N	BRACKET, ECU, MAIN	1	10133 -
030	3H-54615	N	BOLT, FLANGE, ECU BRACKET	1	10133 -
040	3H-54620	N	BOLT, SEMS, ECU	1	10133 -
050	3H-54625	N	NUT, FLANGE, ECU	1	10133 -
060	3H-54630	N	BRACKET, MOUNTING, ECU	1	10133 -
070	3H-54635	N	BOLT, FLANGE, HARNESS	2	10133 -
080	3H-54640	N	BOLT, FLANGE, ECU MOUNT	4	10133 -
<b>WIRE HARNESS</b>					
005	75-1546G	N	WIRE HARNESS, ENGINE, GAS	1	**10133 -
	75-1546L	N	WIRE HARNESS, ENGINE, LP	1	**10133 -
010	3H-54645	N	CLAMP, RIGHT	1	10133 -
020	3H-54650	N	CLAMP, TOP	2	10133 -
025	3H-54655	N	CLAMP, TOP REAR	1	10133 -
030	3H-54660	N	CLAMP, REAR	3	10133 -
040	3H-54665	N	BRACKET, HARNESS	1	10133 -
050	3H-54670	N	CLAMP, RIGHT REAR	1	10133 -
060	3H-54635	N	BOLT, FLANGE, HARNESS	1	10133 -
N/S	7T-5523K	N	ECU COMPUTER INTERFACE (CABLE ONLY)	1	*10133 -
N/S	KZ-54620	N	KIT, LAPTOP DIAGNOSTIC	1	*10133 -
N/S	7T-5523L	N	DISPLAY, FAULT CODE CAN READER	1	**10133 - 10155
N/S	7D-54500	N	CAP, ECU CONNECTION PLUG	1	10133 -
N/S	75-18541	N	PLUG, ECU GROUND JUMPER	1	**10156 -

**FAULT CODES:**

\* All machine S/Ns are capable of having fault codes read via 7T-5523K - ECU COMPUTER INTERFACE  
KZ-54620 contains cable connection + DS-54620 cd/software required. The GCP ECU software password  
for the Kubota engine is NQBX-5W1M-AN53-W1DD.

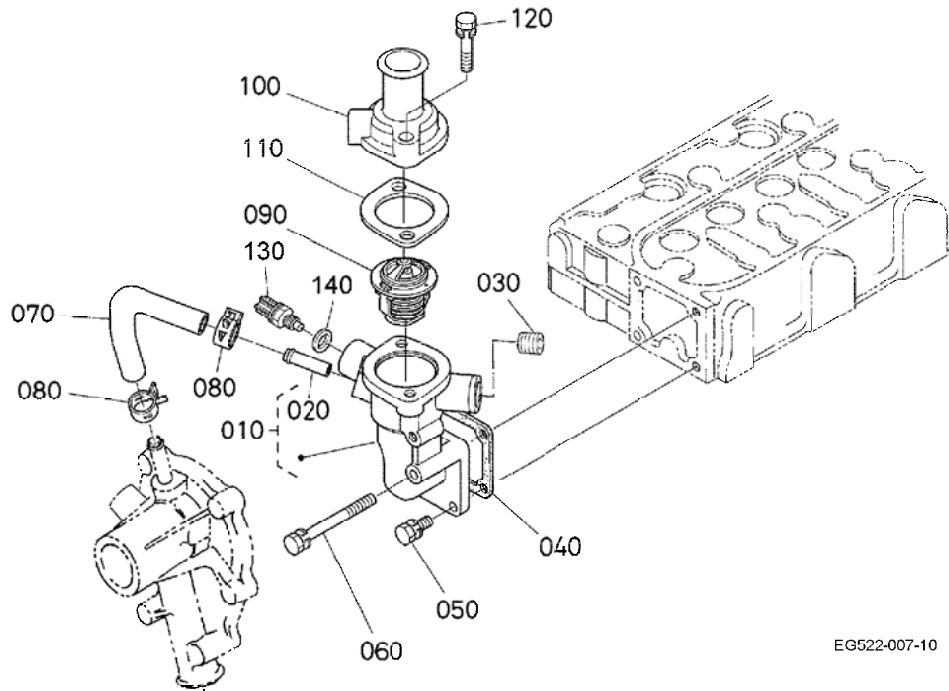
\*\* Machine S/Ns 10133 - 10155 are equipped with ECUs and wiring harnesses that cannot flash fault codes  
via MIL lamp & require 7T-5523L - DISPLAY, FAULT CODE CAN READER to obtain fault codes without  
7T-5523K - ECU COMPUTER INTERFACE

\*\* Machine S/Ns 10156+ are equipped with ECUs and wiring harnesses that are cable of flashing fault codes  
via MIL lamp using 75-18541 - PLUG, ECU GROUND JUMPER

**GROUP 1.2 - ENGINE COOLING**

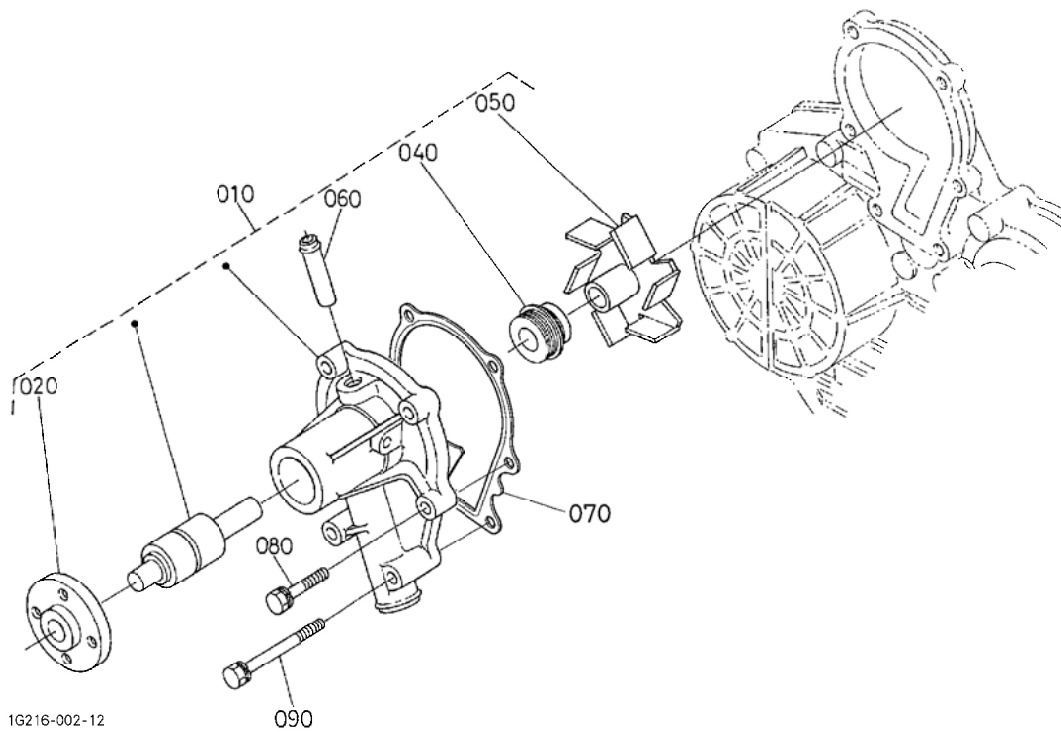
**050000 WATER FLANGE AND THERMOSTAT**

---



**050100 WATER PUMP**

---





**GROUP 1.2 - ENGINE COOLING**

IND	PART NO	COMMON to 500	DESCRIPTION	QTY	SERIAL NO
<b>WATER FLANGE AND THERMOSTAT</b>					
010	3C-54650	N	FLANGE, WATER, COMPLETE	1	10133 -
020	3C-54655	N	WATER RETURN PIPE, STRAIGHT	1	10133 -
030	3C-54660	N	PLUG	1	10133 -
040	2D-1546E	N	GASKET, WATER FLANGE	1	10133 -
050	3E-1546G	N	BOLT, SEMS, WATER FLANGE	3	10133 -
060	3C-54665	N	BOLT, SEMS, WATER FLANGE	1	10133 -
070	3C-54670	N	WATER RETURN PIPE, ELBOW	1	10133 -
080	3C-54675	N	HOSE CLAMP	2	10133 -
090	3C-19546	N	THERMOSTAT ASSY	1	10133 -
100	3C-54680	N	COVER, THERMOSTAT	1	10133 -
110	2D-1546F	N	GASKET, THERMOSTAT	1	10133 -
120	3C-54685	N	BOLT, SEMS, THERMOSTAT	2	10133 -
130	3H-5460C	N	SENSOR, WATER TEMP	1	10133 -
140	3C-0546J	N	WASHER, SEAL, COOLANT TEMP	1	10133 -

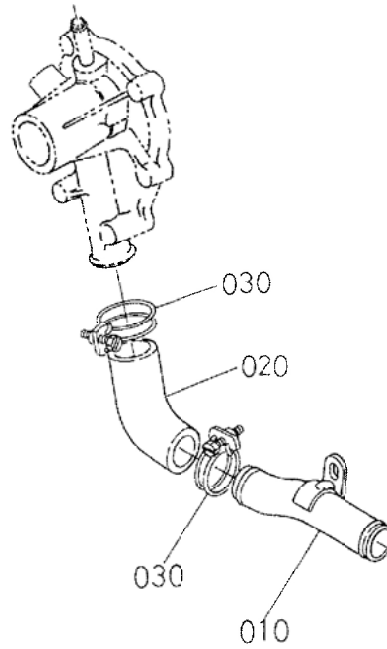
**WATER PUMP**

010	3C-54645	N	WATER PUMP ASSY, GAS	1	10133 -
	3C-54640	N	WATER PUMP ASSY, LP	1	10133 -
020	3C-54690	N	FLANGE, WATER PUMP	1	10133 -
040	3C-54695	N	SEAL ASSY, WATER PUMP	1	10133 -
050	3C-54605	N	IMPELLER, WATER PUMP	1	10133 -
060	3C-54615	N	PIPE, WATER RETURN, WATER PUMP	1	10133 -
070	2D-1546T	N	GASKET, WATER PUMP	1	10133 -
080	3C-54625	N	BOLT, SEMS, WATER PUMP, SHORT	4	10133 -
090	3C-54635	N	BOLT, SEMS, WATER PUMP, LONG	2	10133 -

**GROUP 1.2 - ENGINE COOLING**

**050300 WATER PIPE**

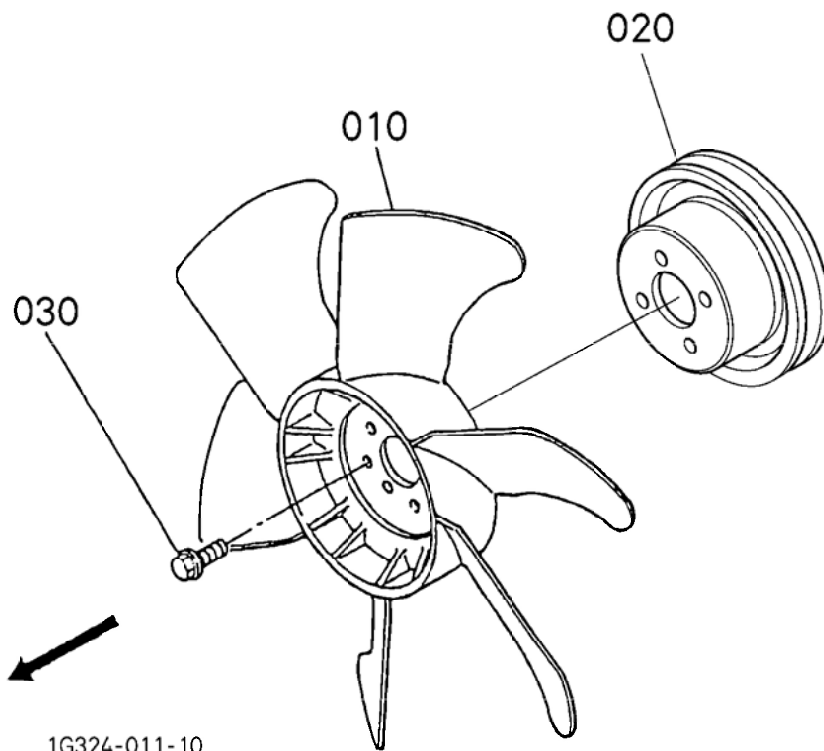
---



EG522-008-10

**050400 COOLER FAN**

---

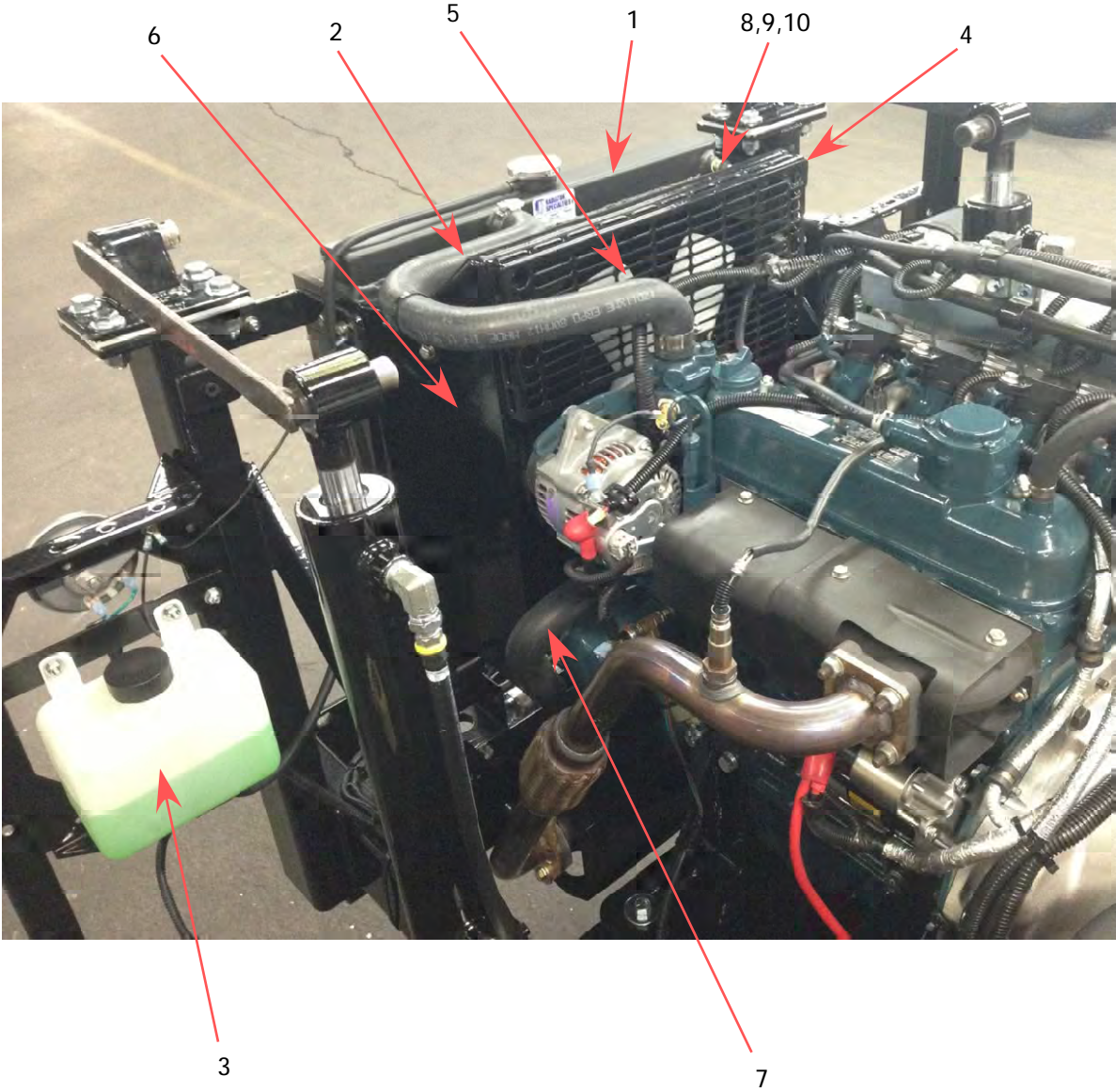


1G324-011-10

**GROUP 1.2 - ENGINE COOLING**

IND	PART NO	COMMON to 500	DESCRIPTION	QTY	SERIAL NO
<b>WATER PIPE</b>					
010	3C-0546L	N	PIPE, WATER PUMP, STRAIGHT	1	10133 -
020	3C-0546M	N	PIPE, WATER PUMP, ELBOW	1	10133 -
030	3C-0546N	N	HOSE CLAMP	2	10133 -
<b>COOLER FAN</b>					
010	3C-0546C	N	FAN	1	10133 -
020	3C-0546D	N	PULLEY, FAN	1	10133 -
030	3C-0546K	N	BOLT, FLANGE	4	10133 -

**GROUP 1.2 - ENGINE COOLING**



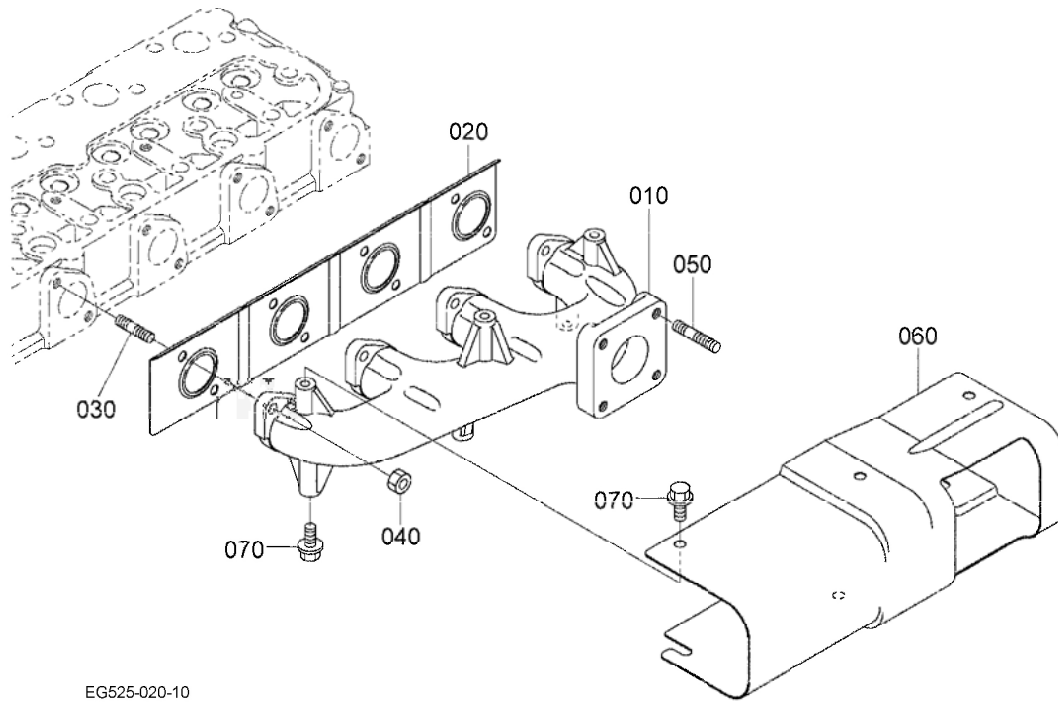
**GROUP 1.2 - ENGINE COOLING**

IND	PART NO	COMMON to 500	DESCRIPTION	QTY	SERIAL NO
1	3C-05460	N	RADIATOR W/ CAP	1	10133 -
	3C-0540H	N	RADIATOR CAP	1	10133 -
	3M-17730	N	ISOLATOR, BUSHING	6	10133 -
	1V-54613	N	BRACKET, RADIATOR ISOLATOR, TOP LEFT	1	10133 -
	1V-54612	N	BRACKET, RADIATOR ISOLATOR, TOP RIGHT	1	10133 -
	HA-06011	N	SCREW, HEX HEAD, 1/4-20 X 1	2	10133 -
	HF-06861	N	WASHER, SAE, 1/4	4	10133 -
	HF-06862	N	LOCKWASHER, 1/4	2	10133 -
	HA-06980	N	NUT, HEX, 1/4	2	10133 -
	1V-54614	N	BRACKET, RADIATOR ISOLATOR, TAB	4	10133 -
	HA-0601A	N	SCREW, HEX HEAD, W/SHANK, 1/4-20 X 1	4	10133 -
	HF-06862	N	LOCKWASHER, SPLIT-LOCK, 1/4	4	10133 -
	HF-06861	N	WASHER, SAE, 1/4	4	10133 -
2	3C-54620	N	HOSE, UPPER RADIATOR	1	10133 -
	27-2016A	N	CLAMP, HOSE, 3/4" x 1-1/2"	2	10133 -
3	3C-0541B	N	BOTTLE, OVERFLOW	1	10133 -
4	3C-0546E	N	GUARD, FAN	1	10133 -
5	3C-0546C	N	FAN	1	10133 -
6	3C-05461	N	SHROUD, RADIATOR	1	10133 -
7	3C-54630	N	HOSE, LOWER RADIATOR	1	10133 -
	27-2016A	N	CLAMP, HOSE, 3/4" x 1-1/2"	2	10133 -
8	3H-0560L	N	SENSOR, COOLANT LEVEL	1	10133 -
N/S	3H-0560M	N	MODULE, COOLANT LEVEL DETECTOR	1	10133 -
9	FL-15060	N	BUSHING, 1/8 NPT TO 1/4 NPT	1	10133 -
10	75-05400	N	LOOM, COOLANT ALARM	1	10133 -

**GROUP 1.3 - ENGINE EXHAUST SYSTEM**

**060200 EXHAUST MANIFOLD**

---



EG525-020-10



**GROUP 1.3 - ENGINE EXHAUST SYSTEM**

IND	PART NO	COMMON to 500	DESCRIPTION	QTY	SERIAL NO
-----	---------	------------------	-------------	-----	-----------

**EXHAUST MANIFOLD**

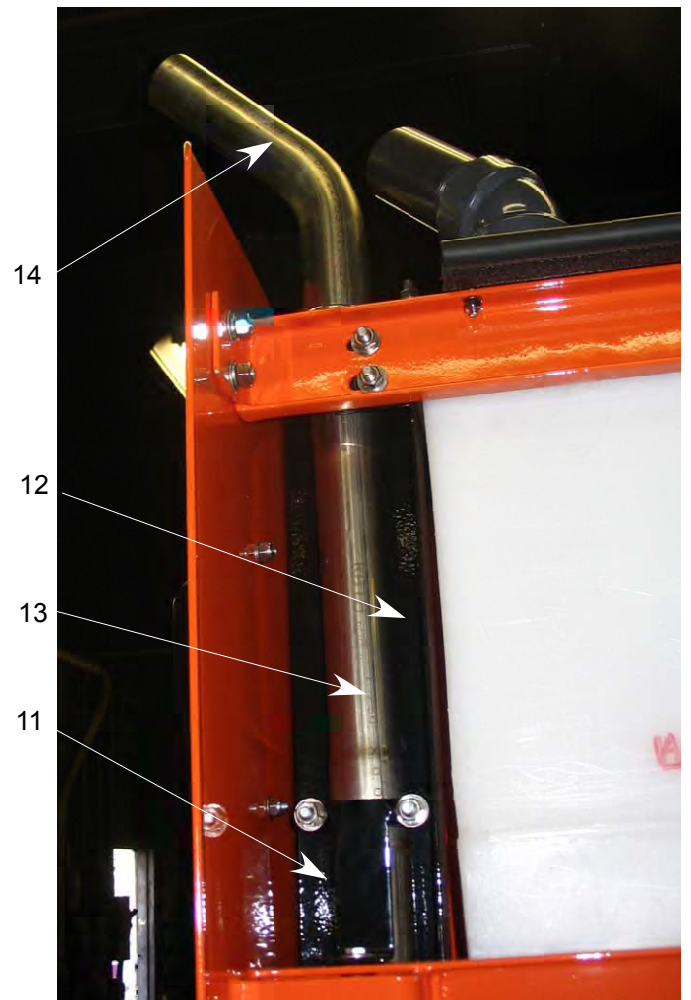
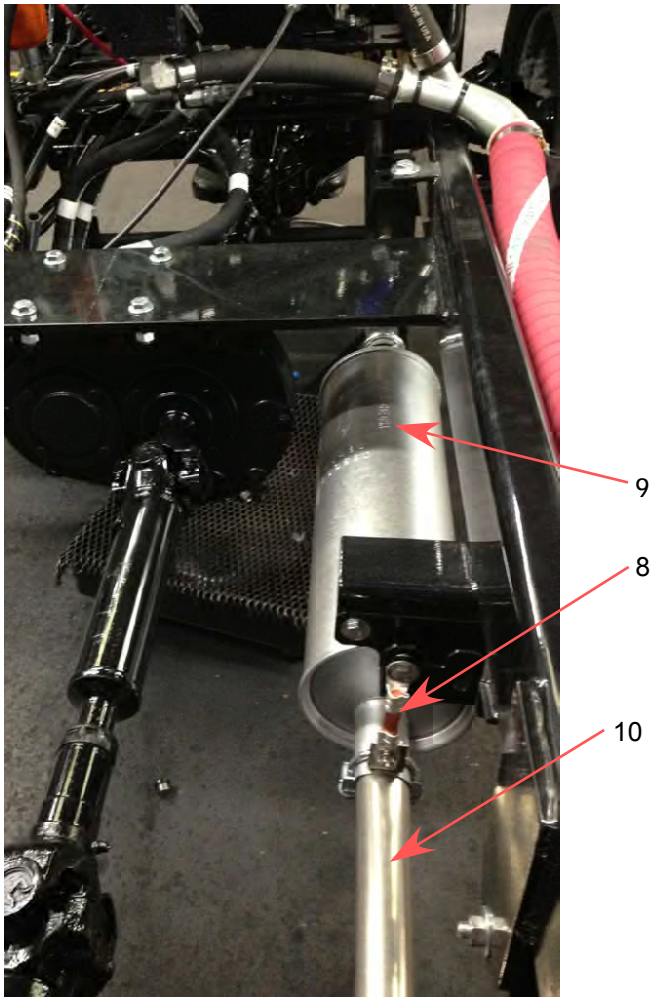
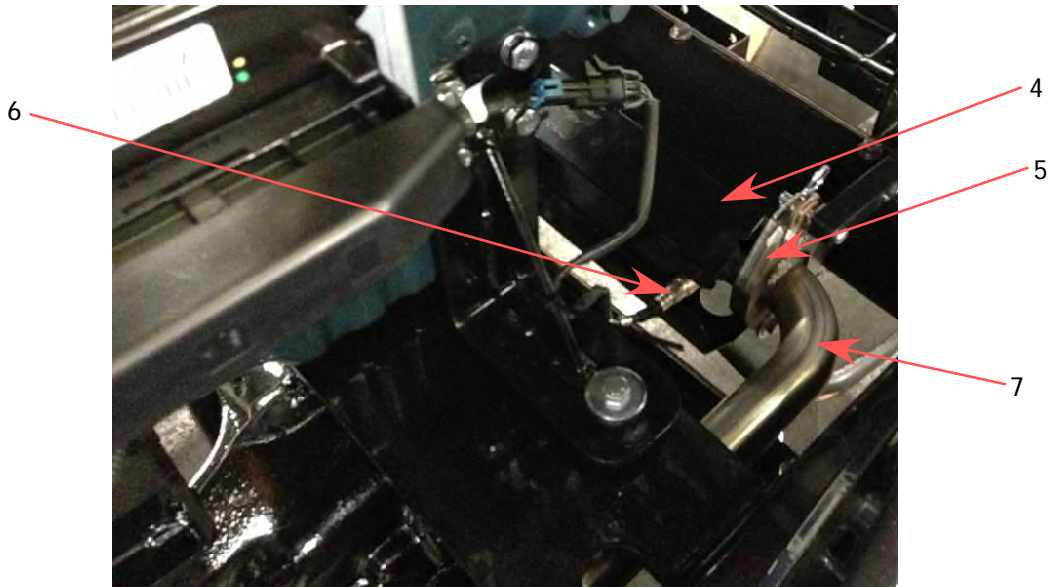
010	3D-54650	N	EXHAUST MANIFOLD	1	10133 -
020	3D-54640	N	GASKET, EXHAUST MANIFOLD INLET	1	10133 -
030	3D-54660	N	STUD, EXHAUST MANIFOLD	8	10133 -
040	3D-54670	N	NUT, EXHAUST MANIFOLD	8	10133 -
050	3D-54680	N	STUD, OUTLET, EXHAUST MANIFOLD	4	10133 -
060	49-0546A	N	HEAT SHIELD, EXHAUST MANIFOLD	1	10133 -
070	3C-0546K	N	BOLT, FLANGE, FAN/EXH MANIFOLD	6	10133 -

**EXHAUST - PRE-CAT**

1	3H-5460B	N	OXYGEN SENSOR, PRE-CAT/POST-CAT	1	10133 -
2	2D-1546D	N	GASKET, EXHAUST MANIFOLD OUTLET	1	10133 -
3	3D-05460	N	EXHAUST PIPE, MANIFOLD TO CAT, W/ FLEX	1	10133 -



**GROUP 1.3 - ENGINE EXHAUST SYSTEM**



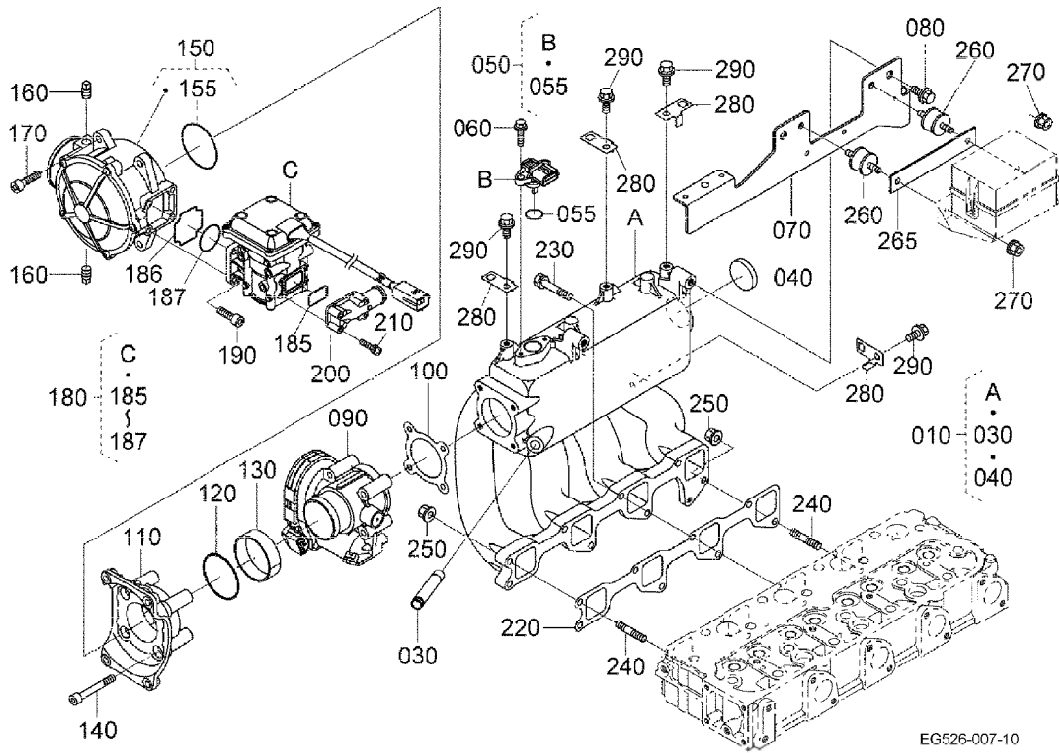


**GROUP 1.3 - ENGINE EXHAUST SYSTEM**

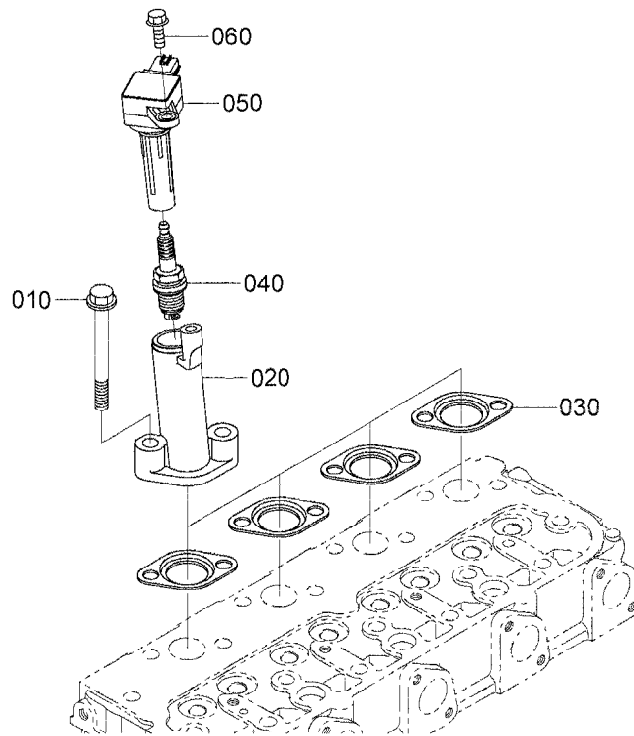
IND	PART NO	COMMON to 500	DESCRIPTION	QTY	SERIAL NO
4	3D-0546B	N	CATALYTIC CONVERTOR	1	10133 -
N/S	2D-15461	N	GASKET, CAT, INLET	1	10133 -
5	2D-15462	N	GASKET, CAT, OUTLET	1	10133 -
6	3H-5460B	N	OXYGEN SENSOR, PRE-CAT/POST-CAT	1	10133 -
7	3D-0546C	N	EXHAUST PIPE, CAT TO MUFFLER	1	10133 -
	27-31540	N	CLAMP, MUFFLER, 1 3/4	4	10133 -
8	3D-4028C	N	HANGER, EXHAUST PIPE, COPPER	2	10133 -
9	3D-17920	Y	MUFFLER, IMCO	1	10133 - 10967
	3D-17960	N	MUFFLER, WALKER	1	10968 -
	5T-23050	N	BRACKET, EXHAUST HANGER, FRONT	1	10133 -
	5T-23051	N	BRACKET, EXHAUST HANGER, REAR	1	10133 -
10	3D-18050	Y	TAIL PIPE	1	10133 -
11	5T-23030	Y	BRACKET, EXHAUST PIPE	1	10133 -
12	5T-23011	Y	BRACKET, EXHAUST HEAT SHIELD	1	10133 -
13	3D-18070	Y	EXHAUST PIPE, INTERMEDIATE	1	10133 -
14	3D-18080	Y	EXHAUST PIPE, UPPER	1	10133 -

**GROUP 1.4 - ENGINE FUEL SYSTEM - LPG**

**060100 INLET MANIFOLD**



**030200 IGNITION COIL**



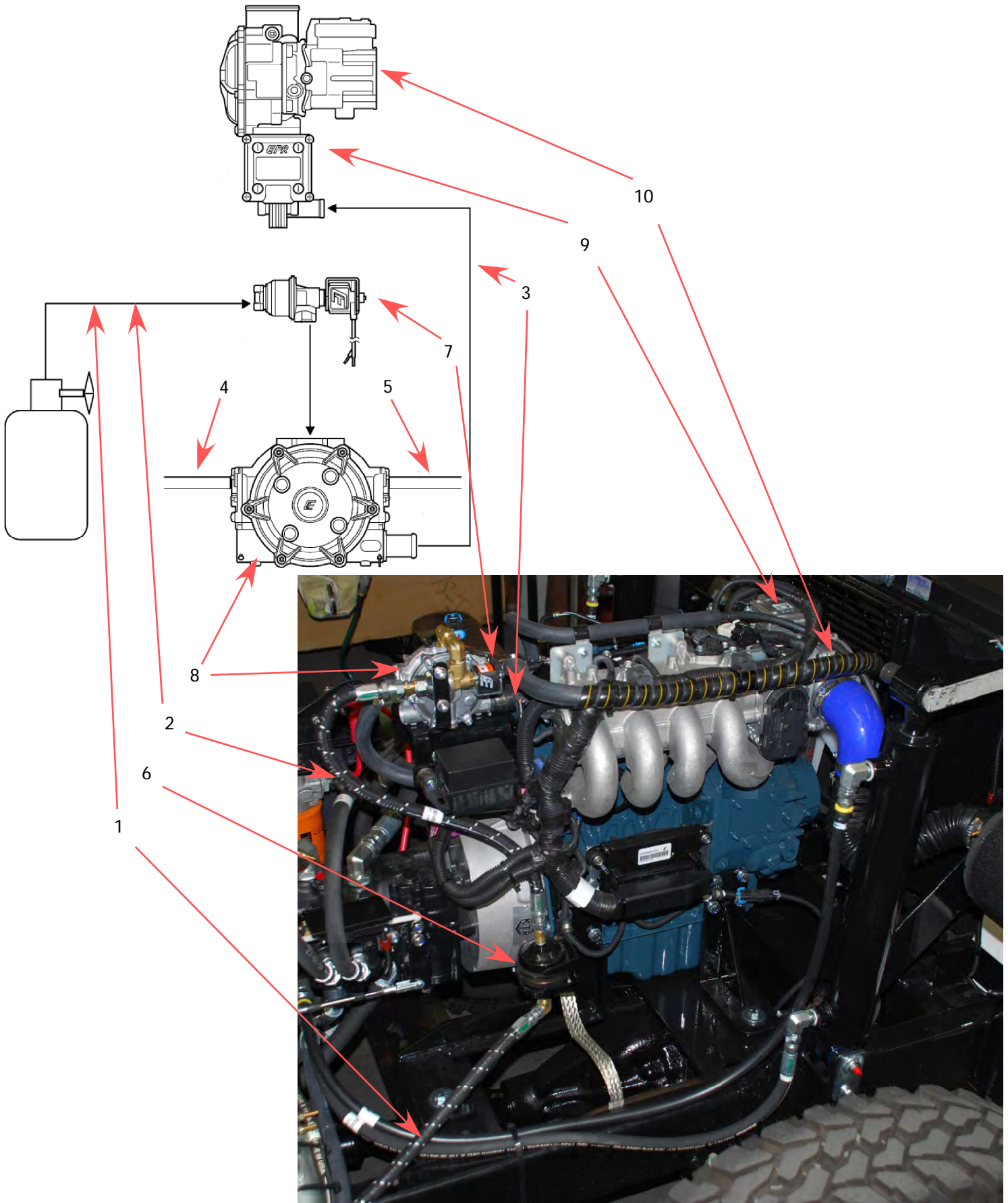
**GROUP 1.4 - ENGINE FUEL SYSTEM - LPG**

IND	PART NO	COMMON to 500	DESCRIPTION	QTY	SERIAL NO
<b>INLET MANIFOLD - LP</b>					
010	3F-54630	N	MANIFOLD, INLET, COMPLETE	1	10133 -
030	3F-54605	N	JOINT, BREATHER TUBE	1	10133 -
040	3F-54610	N	CAP, SEALING, INLET MANIFOLD	1	10133 -
050	3H-5460D	N	SENSOR, MAP	1	10133 -
055	3F-54615	N	O-RING, MAP SENSOR	1	10133 -
060	3F-54620	N	BOLT, FLANGE, MAP SENSOR	2	10133 -
070	3F-54625	N	BRACKET, FUSE BOX	1	10133 -
080	3F-54640	N	BOLT, FLANGE, FUSE BOX BRACKET	2	10133 -
090	3F-54645	N	THROTTLE BODY, COMPLETE	1	10133 -
100	2D-1546H	N	GASKET, THROTTLE BODY	1	10133 -
110	3F-54685	N	ADAPTER, THROTTLE BODY	1	10133 -
120	3F-54690	N	O-RING, THROTTLE BODY ADAPTER	1	10133 -
130	3F-54695	N	SPACER, THROTTLE BODY ADAPTER	1	
140	3F-54705	N	BOLT, THROTTLE BODY ADAPTER	4	10133 -
150	3F-85546	N	MIXER	1	10133 -
N/S	26-07130	N	ELBOW, HOSE REDUCER, INTAKE	1	10133 -
N/S	4T-07130	N	COUPLING, INTAKE	1	10133 -
N/S	3R-75450	N	AIR CLEANER CANISTER	1	10133 -
N/S	RC-75456	N	HOSE, AIR CLEANER, 16"	1	10133 -
155	3F-54710	N	SEAL, MIXER	1	10133 -
160	3F-54715	N	PLUG, MIXER	2	10133 -
170	3F-54720	N	BOLT, MIXER	4	10133 -
180	3F-72546	N	EPR, LP REGULATOR	1	10133 -
185	3F-54725	N	SEAL, 1, EPR	1	10133 -
186	3F-54730	N	SEAL, 2, EPR	1	10133 -
187	3F-54735	N	SEAL, 3, EPR	1	10133 -
190	3F-54740	N	BOLT, EPR	4	10133 -
200	3F-54745	N	FLANGE, INLET, EPR	1	10133 -
210	3F-54750	N	SCREW SEMS, EPR	4	10133 -
220	2D-1546C	N	GASKET, INLET MANIFOLD	1	10133 -
230	3F-54655	N	BOLT, SEMS, INLET MANIFOLD	6	10133 -
240	3F-54660	N	BOLT, STUD, INLET MANIFOLD	2	10133 -
250	3F-54665	N	NUT, FLANGE, INLET MANIFOLD/FUSE BOX	2	10133 -
260	3F-54670	N	RUBBER ISOLATOR, FUSE BOX	2	10133 -
265	3F-54675	N	PLATE, FUSE BOX	1	10133 -
270	3F-54665	N	NUT, FLANGE, INLET MANIFOLD/FUSE BOX	2	10133 -
280	3F-54680	N	BRACKET, HARNESS	4	10133 -
290	3F-0546J	N	BOLT, FLANGE, INJECTOR/INLET MANIFOLD	4	10133 -
N/S	4T-01020	N	VACUUM TUBING, 1/4" X 31"	1	10133 -

**IGNITION COIL**

010	3A-0546M	N	BOLT, CYLINDER HEAD	8	10133 -
020	3F-0546N	N	FLANGE, IGNITION COIL	4	10133 -
030	2D-15463	N	GASKET, INJECTOR FLANGE, LP	4	10133 -
040	3E-54650	N	SPARK PLUG	4	10133 -
050	3E-54640	N	COIL, IGNITION	4	10133 -
060	3E-5464A	N	BOLT, FLANGE, IGNITION COIL	4	10133 -

**GROUP 1.4 - ENGINE FUEL SYSTEM - LPG**

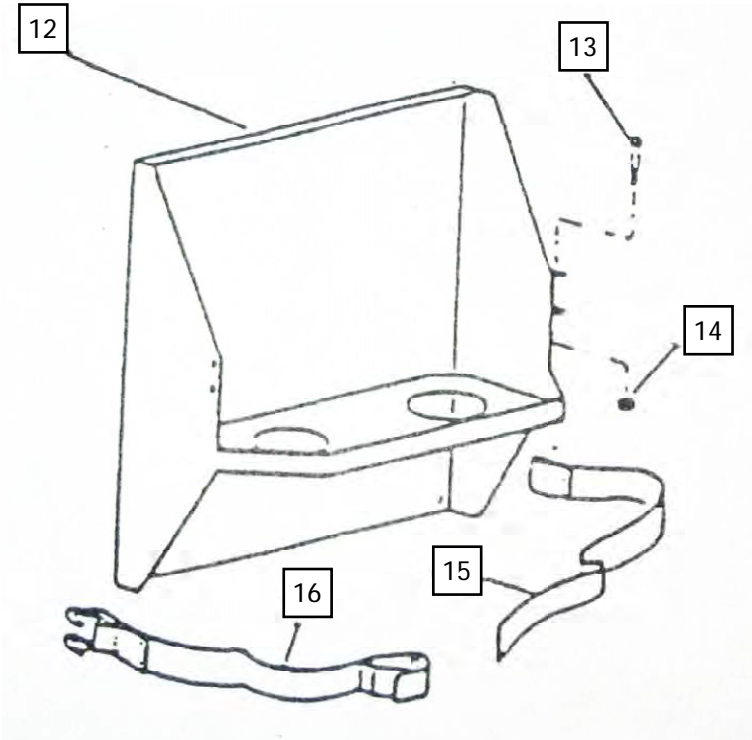
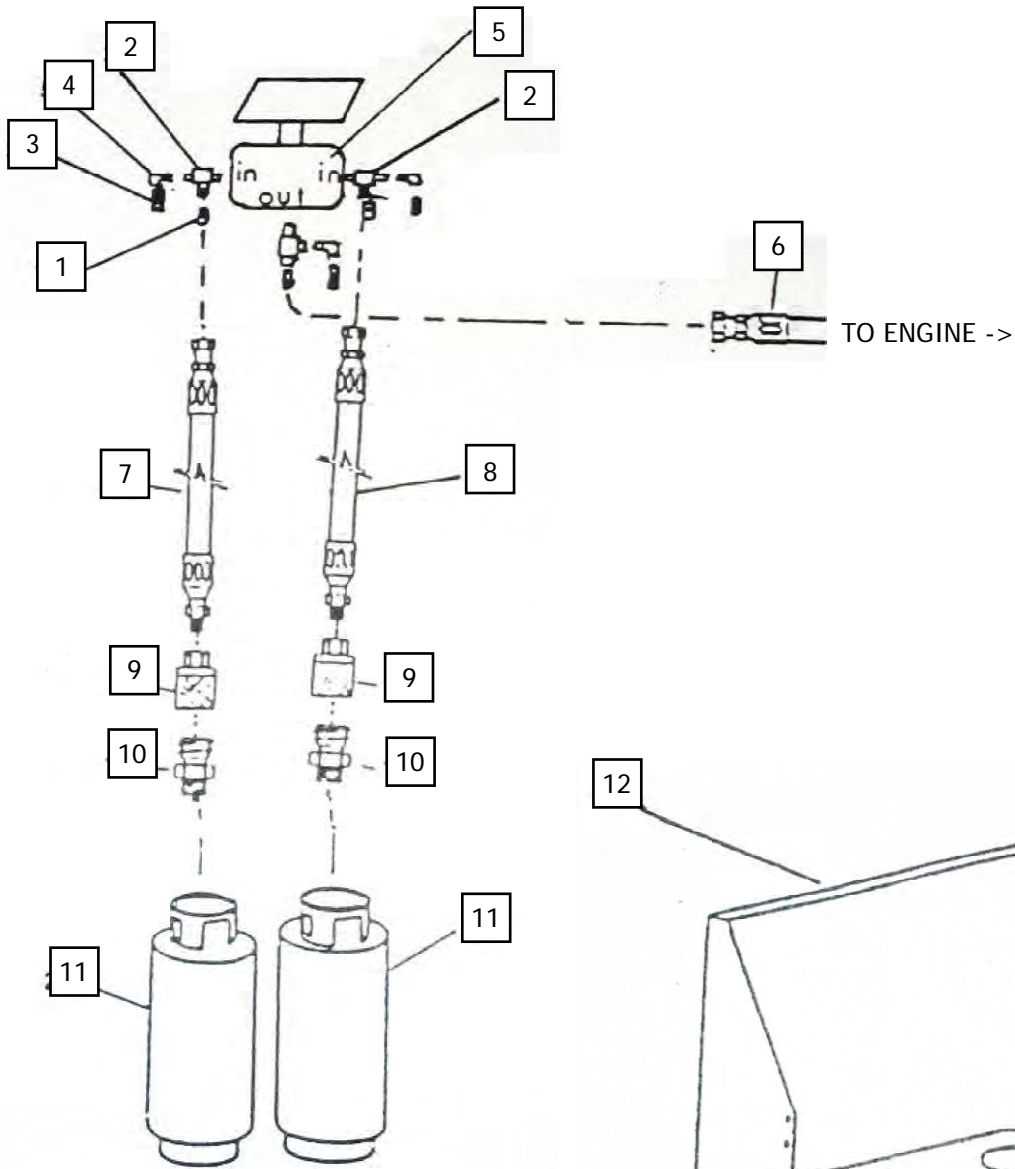


1.4-B

**GROUP 1.4 - ENGINE FUEL SYSTEM - LPG**

IND	PART NO	COMMON to 500	DESCRIPTION	QTY	SERIAL NO
1	P4-3600B	N	HOSE, LP SUPPLY	1	10133 -
2	P4-3080B	N	HOSE, LP, FUEL FILTER TO VAPORIZER	1	10133 -
3	P4-54616	N	HOSE, LP VAPOR	1	10133 -
4	RH-3072A	N	HOSE, COOLANT, 18"LG	1	10133 -
5	RH-3144A	N	HOSE, COOLANT, 36" LG	1	10133 -
6	3R-1546L	N	INLINE FILTER, LPG, PARKER	1	10133 -
7	3F-72547	N	SOLENOID VALVE, LPG LOCKOFF	1	10133 -
8	3F-72548	N	VAPORIZER, DSR	1	10133 -
	KZ-72548	N	VAPORIZER REBUILD KIT	1	10133 -
	FP-27200	N	ELBOW, PLASTIC	2	10133 -
9	3F-72546	N	EPR, LP REGULATOR	1	10133 -
10	3F-85546	N	MIXER, LP	1	10133 -
	75-1546L	N	WIRE HARNESS, ENGINE, LP	1	10133 -
	75-15460	N	WIRE HARNESS, PIGTAIL	1	10133 -
	3H-5460L	N	ELECTRONIC CONTROL UNIT (ECU), LPG	1	10133 -

**GROUP 1.4 - ENGINE FUEL SYSTEM - LPG**



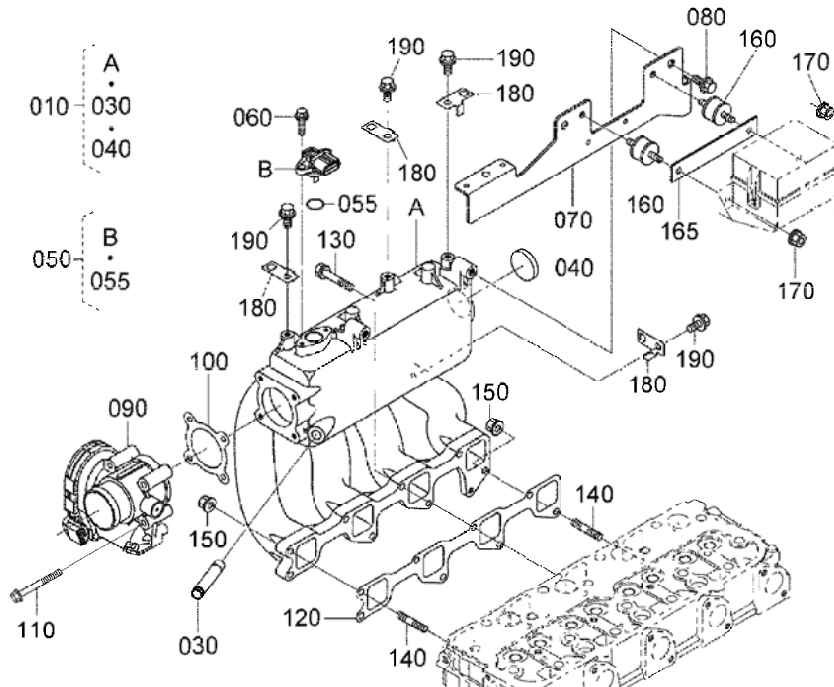
**GROUP 1.4 - ENGINE FUEL SYSTEM - LPG**

IND	PART NO	COMMON to 500	DESCRIPTION	QTY	SERIAL NO
1	F5-62450	Y	ADAPTER, 04MP X 06 MALE SAE 45	3	10133 -
2	FL-82170	Y	TEE, 04MP X 04FP RUN, 04FP BRANCH	3	10133 -
3	2V-72770	Y	RELIEF VALVE	3	10133 -
4	FL-69550	Y	90EL, 04MP X 04FP	3	10133 -
5	2V-72760	Y	MANUAL 3-WAY VALVE, PROPANE	1	10133 -
	2V-72765	Y	HANDLE, 3-WAY VALVE	1	10133 -
	KZ-0043C	N	KIT, LPG-MANUAL VALVE, 540	1	10133 -
N/S	7P-0043C	Y	SWITCH, PRESSURE, LPG LOW FUEL	1	10133 -
6	P4-3600B	N	HOSE ASSY, FUEL, 3/8 X 150, 06F5 X 06F5	1	10133 -
N/S	PF-3080B	N	HOSE ASSY, FUEL, 3/8 X 22, 06F5 X 06F5	1	10133 -
7	P4-3110B	Y	HOSE ASSY, FUEL, 3/8 X 26, 06FS X 04MP	1	10133 -
8	P4-3135B	Y	HOSE, 3/8 X 32, 06FS X 04MP	1	10133 -
9	FW-3901F	Y	HOSE DISCONNECT, FEMALE HALF	2	10133 -
10	FW-3801M	Y	HOSE DISCONNECT, MALE HALF	2	10133 -
11	7A-72790	Y	TANK, LPG FUEL	2	10133 -
12	46-05230	Y	BRACKET, FUEL TANK MOUNTING	1	10133 -
	HF-06311	Y	SCREW, SS, FLAT HD SOCKET CAP, 1/4-20X1	8	10133 -
	HF-06510	Y	NUT, HEX LOCK, SS, 1/4-20	8	10133 -
	HF-06860	Y	WASHER, FLAT, 1/4, S.S.	8	10133 -
	HD-08862	Y	NYLON FLAT WASHER, 5/16" ID	8	10133 -
	8P-05000	Y	RUBBER PAD, NEOPRENE	1	10133 -
	HF-06309	Y	SCREW, SS, 1/4-20 X 3/4	8	10133 -
	HF-06510	Y	NUT, HEXLOCK, SS, 1/4-20	8	10133 -
	HD-13861	Y	WASHER, NYLON, 1/4	8	10133 -
	HF-06861	Y	WASHER, SS, 1/4	8	10133 -
	7B-0535A	Y	WEAR STRIP, LPG TANK BRACKET	22.5"	10133 -
	2H-0500A	Y	TRIM STRIP, BLACK PLASTIC	1	10133 -
13	HA-06018	Y	SCREW, 1/4-20 X 2-1/2	1	10133 -
14	HA-06981	Y	LOCKNUT, 1/4-20	1	10133 -
15	1M-0510B	Y	STRAP	1	10133 -
16	1M-0510A	Y	STRAP WITH BUCKLE	1	10133 -

**GROUP 1.5 - ENGINE FUEL SYSTEM - GAS**

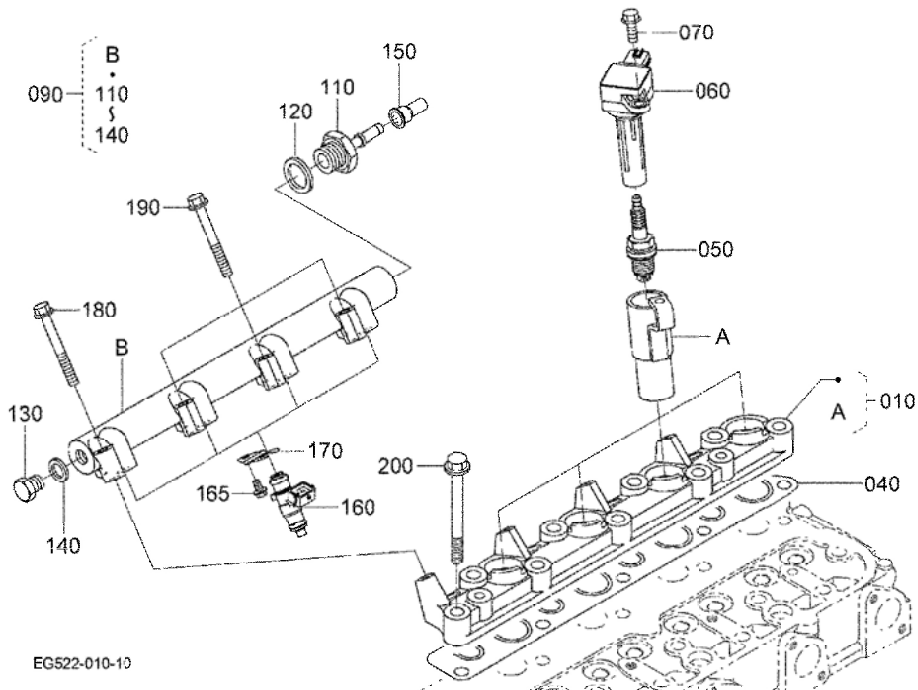
# 060100 INLET MANIFOLD

---



# 030200 IGNITION COIL AND DELIVERY PIPE

---



EG522-010-10



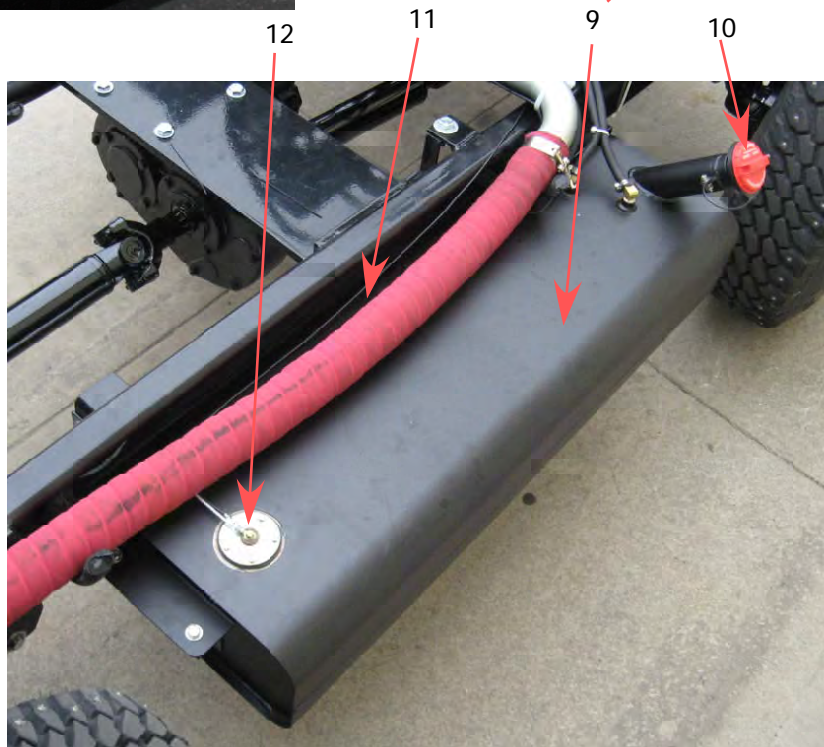
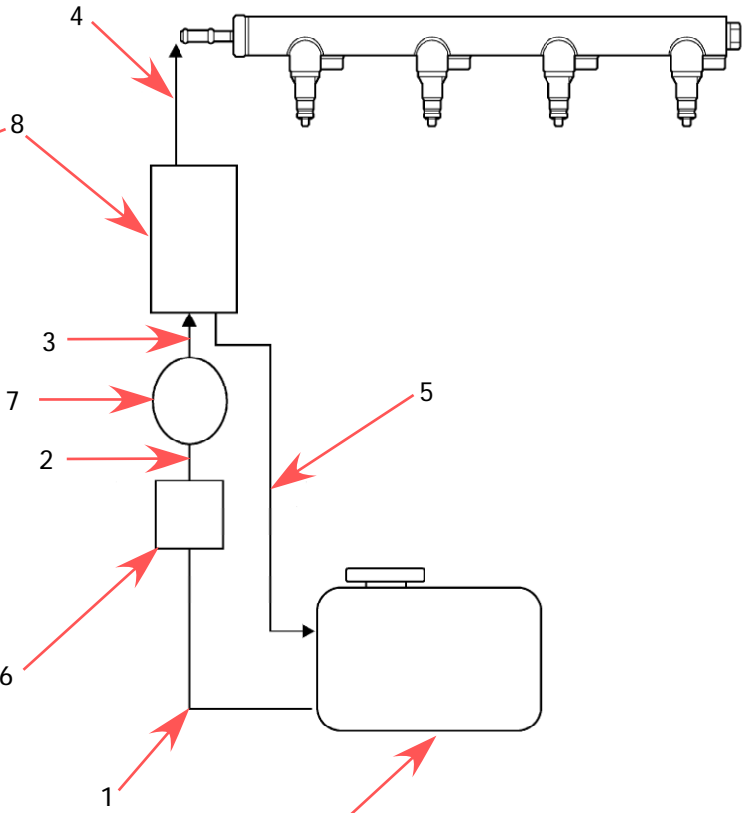
**GROUP 1.5 - ENGINE FUEL SYSTEM - GAS**

IND	PART NO	COMMON to 500	DESCRIPTION	QTY	SERIAL NO
<b>INLET MANIFOLD - GAS</b>					
010	3F-54630	N	MANIFOLD, INLET, COMPLETE	1	10133 -
030	3F-54605	N	JOINT, BREATHER TUBE	1	10133 -
040	3F-54610	N	CAP, SEALING, INLET MANIFOLD	1	10133 -
050	3H-5460D	N	SENSOR, MAP	1	10133 -
055	3F-54615	N	O-RING, MAP SENSOR	1	10133 -
060	3F-54620	N	BOLT, FLANGE , MAP SENSOR	2	10133 -
070	3F-54625	N	BRACKET, FUSE BOX	1	10133 -
080	3F-54640	N	BOLT, FLANGE, FUSE BOX BRACKET	2	10133 -
090	3F-54645	N	THROTTLE BODY, COMPLETE	1	10133 -
100	2D-1546H	N	GASKET, THROTTLE BODY	1	10133 -
110	3F-54650	N	BOLT, FLANGE, THROTTLE BODY	4	10133 -
N/S	3R-75450	N	AIR CLEANER CANISTER	1	10133 -
N/S	RC-75457	N	HOSE, AIR CLEANER, 18"	1	10133 -
120	2D-1546C	N	GASKET, INLET MANIFOLD	1	10133 -
130	3F-54655	N	BOLT, SEMS, INLET MANIFOLD	6	10133 -
140	3F-54660	N	BOLT, STUD, INLET MANIFOLD	2	10133 -
150	3F-54665	N	NUT, FLANGE, INLET MANIFOLD/FUSE BOX	2	10133 -
160	3F-54670	N	RUBBER ISOLATOR, FUSE BOX	2	10133 -
165	3F-54675	N	PLATE, FUSE BOX	1	10133 -
170	3F-54665	N	NUT, FLANGE, INLET MANIFOLD/FUSE BOX	2	10133 -
180	3F-54680	N	BRACKET, HARNESS	4	10133 -
190	3F-0546J	N	BOLT, FLANGE, INJECTOR/INLET MANIFOLD	4	10133 -
N/S	4T-01020	N	VACUUM TUBING, 1/4" X 31"	1	10133 -

**IGNITION COIL AND DELIVERY PIPE**

010	3F-0546A	N	FLANGE, INJECTOR	1	10133 -
040	2D-1546J	N	GASKET, INJECTOR FLANGE	1	10133 -
050	3E-54650	N	SPARK PLUG	4	10133 -
060	3E-54640	N	COIL, IGNITION	4	10133 -
070	3E-5464A	N	BOLT, FLANGE, IGNITION COIL	4	10133 -
090	3F-0546B	N	FUEL DELIVERY PIPE	1	10133 -
110	3F-0546C	N	JOINT, FUEL DELIVERY PIPE	1	10133 -
120	3F-0546D	N	PACKING, FUEL DELIVERY PIPE	1	10133 -
130	3F-0546E	N	PLUG, FUEL DELIVERY PIPE	1	10133 -
140	3F-0546F	N	GASKET, FUEL DELIVERY PIPE	1	10133 -
150	3F-0546G	N	CAP, FUEL, DELIVERY PIPE	1	10133 -
160	3F-0546H	N	INJECTOR	4	10133 -
165	3F-0546J	N	BOLT, FLANGE, INJECTOR	4	10133 -
170	3F-0546K	N	STOPPER, INJECTOR	4	10133 -
180	3F-0546L	N	BOLT, FLANGE, END, FUEL DELIVERY PIPE	1	10133 -
190	3F-0546M	N	BOLT, FLANGE , FUEL DELIVERY PIPE	3	10133 -
200	3A-0546M	N	BOLT, CYLINDER HEAD	9	10133 -

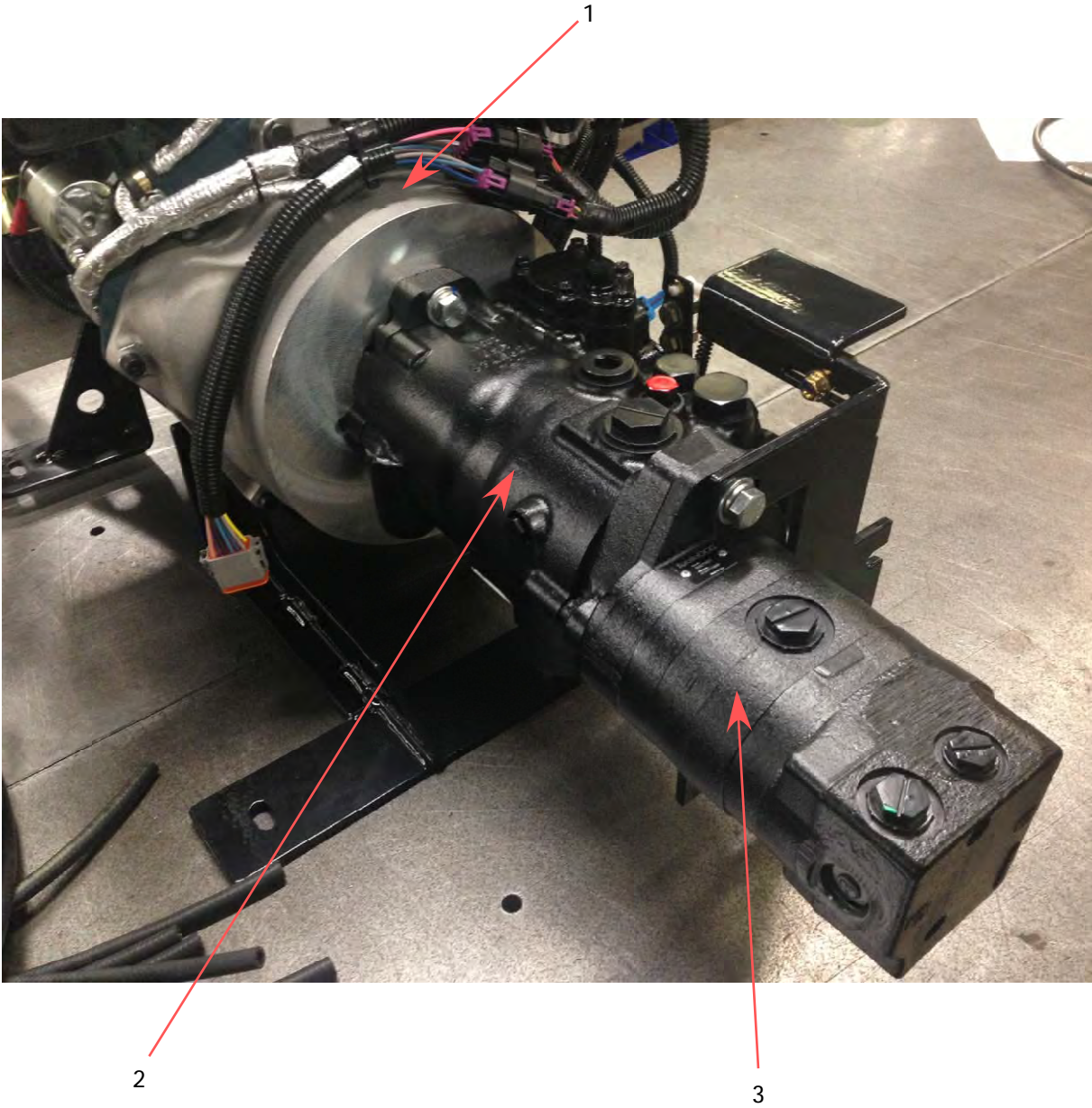
**GROUP 1.5 - ENGINE FUEL SYSTEM - GAS**



**GROUP 1.5 - ENGINE FUEL SYSTEM - GAS**

IND	PART NO	COMMON to 500	DESCRIPTION	QTY	SERIAL NO
1	P6-3545J	N	HOSE, FUEL, 5/16" X 10" LG (TANK TO FILTER)	1	10133 -
2	P6-3545K	N	HOSE, FUEL, 5/16" X 53" LG (FILTER TO PUMP)	1	10133 -
3	P6-3545L	N	HOSE, FUEL, 5/16" X 16.5" LG (PUMP TO MANIFOLD)	1	10133 -
4	P6-3545M	N	HOSE, FUEL, 5/16" X 66.5" LG (MANI TO DEL PIPE)	1	10133 -
5	P6-2545E	N	HOSE, FUEL, 1/4" X 77" LG (MANI TO TANK RETURN)	1	10133 -
6	3R-54610	N	FILTER, FUEL, INLINE	1	10133 -
7	3F-54500	N	PUMP, FUEL, ELECTRIC	1	10133 -
8	3F-80546	N	MANIFOLD, FUEL	1	10133 -
9	7A-15240	N	TANK, GAS	1	10133 -
	HF-08011	Y	SCREW, HEX HEAD, 5/16-18 x 1", S.S.	4	10133 -
	HF-08861	Y	SS FLAT WASHER, SAE PATTERN 5/16	8	10133 -
	HF-08862	Y	LOCKWASHER, SPLIT, 5/16" STAINLESS STEEL	4	10133 -
	HF-08903	Y	SS HEX NUT, 5/16-18	4	10133 -
10	7D-19100	N	CAP, GAS TANK, TETHERED	1	10133 -
	7D-19101	N	TETHER, CAP, GAS TANK	1	10133 -
11	1V-05530	Y	HEAT SHIELD, GAS TANK	1	10133 -
12	3F-4005A	Y	SENDING UNIT, FUEL LEVEL	1	10133 -
	75-1546G	N	WIRE HARNESS, ENGINE, GAS	1	10133 -
	75-15460	N	WIRE HARNESS, PIGTAIL	1	10133 -
	75-15461	N	WIRE HARNESS, FUEL MANIFOLD, GAS	1	10133 -
	75-15462	N	WIRE HARNESS, FUEL PUMP, GAS	1	10133 -
	3H-5460G	N	ELECTRONIC CONTROL UNIT(ECU), GAS	1	10133 -

**GROUP 1.6 - POWER TRAIN**



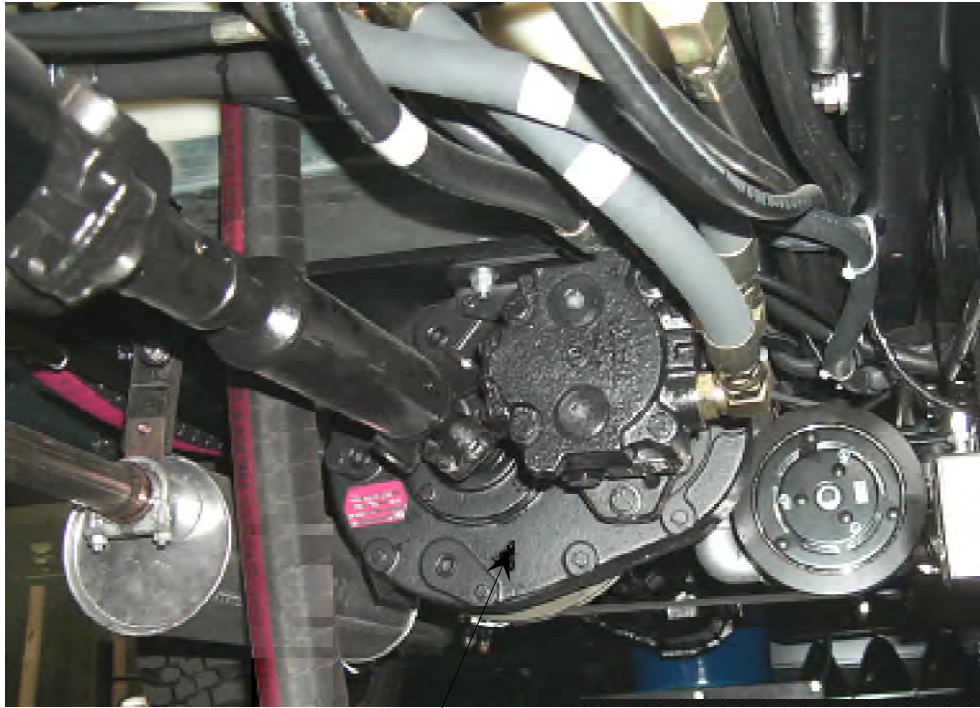
**GROUP 1.6 - POWER TRAIN**

IND	PART NO	COMMON to 500	DESCRIPTION	QTY	SERIAL NO
1	2J-0546A	N	FLYWHEEL HOUSING	1	10133 -
	3B-05460	N	FLYWHEEL	1	10133 -
	2J-54610	N	FLANGE, DRIVE PLATE	1	10133 -
	2J-54620	N	DRIVE COUPLING	1	10133 -
2	2P-05860	Y	HYDROSTATIC PUMP	1	10133 -
3	2P-06500	N	HYDRAULIC DOUBLE PUMP, CAP RLF	1	10133 - 10977
					10979 - 11239
	2P-06600	N	HYDRAULIC DOUBLE PUMP, CARTRIDGE RLF	1	10978, 11240 -



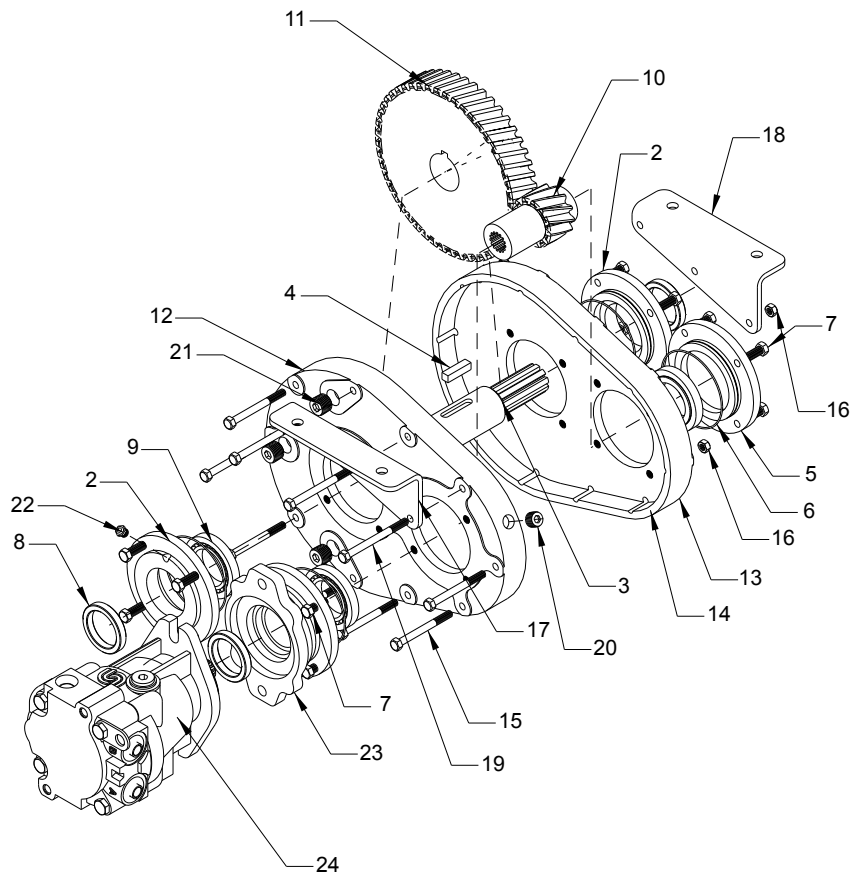
**GROUP 1.7 - TRANSFER CASE**

**HUB CITY GEARBOX**



1

**PARTS BREAKDOWN**

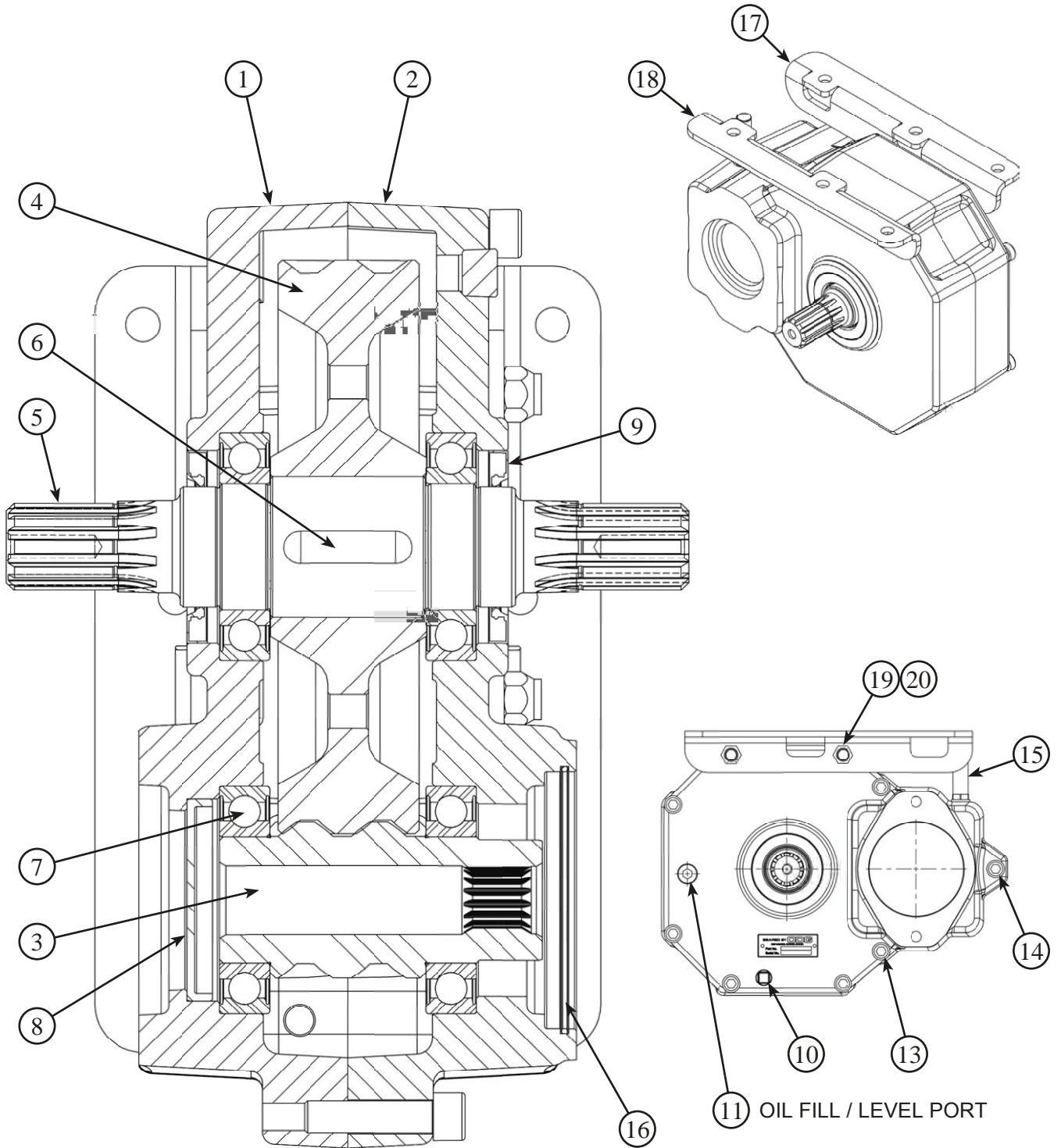


**1.7-A**

**GROUP 1.7 - TRANSFER CASE**

IND	PART NO	COMMON to 500	DESCRIPTION	QTY	SERIAL NO
1	2J-05890	Y	GEAR BOX, 4-1, B2 FLG. W/SPLINE LUBE DUCTING	1	10133 - 10207
2	2J-7513C	Y	CAP, OPEN END	1	10133 - 10207
3	2J-7513D		SHAFT, OUTPUT	1	10133 - 10207
N/S	2J-7513H	Y	SPACER, OUTPUT SHAFT (ALSO INCL IN KZ-75130)	2	10133 - 10207
4	15-54114	Y	KEY, OUTPUT SHAFT	1	10133 - 10207
5		Y	CAP, CLOSED END, NOT SERVICED	1	10133 - 10207
6	2E-0044B	Y	O-RING SEALS, CAPS	4	10133 - 10207
7	HA-10011	Y	SCREW, HEX HEAD, 3/8-16 X 1	12	10133 - 10207
8	2F-93200	Y	OIL SEAL (ALSO INCL IN KZ-75130)	3	10133 - 10207
9	BO-5186W	Y	BEARING SET, CUP & CONE	4	10133 - 10207
10		Y	GEAR, INPUT, NOT SERVICED	1	10133 - 10207
11		Y	GEAR, OUTPUT, NOT SERVICED	1	10133 - 10207
12		Y	HOUSING HALF, MOTOR SIDE, NOT SERVICED	1	10133 - 10207
13		Y	HOUSING HALF, CLOSED SIDE, NOT SERVICED	1	10133 - 10207
14	2J-7513A	Y	GASKET, CASE, USE 2J-7513J & 2J-7513K	1	10133 - 10207
15	HA-08021	Y	SCREW, HEX CAP, 5/16-18 X 3/4	7	10133 - 10207
16	HA-08981	Y	LOCKNUT, HEX, 5/16-18	10	10133 - 10207
17		Y	MOUNTING BRKT., MOTOR SIDE, NOT SERVICED	1	10133 - 10207
18		Y	MOUNTING BRKT., CLOSED SIDE, NOT SERVICED	1	10133 - 10207
19	HA-08023	Y	SCREW, HEX HD, 5/16-18 X 3-3/4	3	10133 - 10207
20	FL-1812B	Y	PLUG, 3/8 NPT	1	10133 - 10207
21	FL-18160	Y	PLUG, 1/2 NPT	3	10133 - 10207
22	3R-06000	Y	VENT PLUG. 1/8 NPT	1	10133 - 10207
23	2J-0589H	Y	FLANGE, B2 WITH LUBE DUCT	1	10133 - 10207
24	2M-06020	N	MOTOR, HYDROSTATIC SUNDSTRAND, SERIES 44	1	10133 - 10207
	KZ-75130	Y	KIT, INCLUDES ITEMS 8,14, & N/S ALSO INCLUDES DK-75130, INSTRUCTIONS FOR SETTING BEARING END PLAY	1	10133 - 10207
N/S	2J-7513J	Y	GASKET/SHIM, END CAP (ALSO INCL IN KZ-75130)	AR	10133 -
	2J-7513K	Y	GASKET/SHIM, END CAP (ALSO INCL IN KZ-75130)	AR	10133 -
N/S	2D-05110		GASKET, TRANSFER CASE TO HYDROSTATIC MOTOR	1	10133 -

**GROUP 1.7 - TRANSFER CASE**



1.7-B

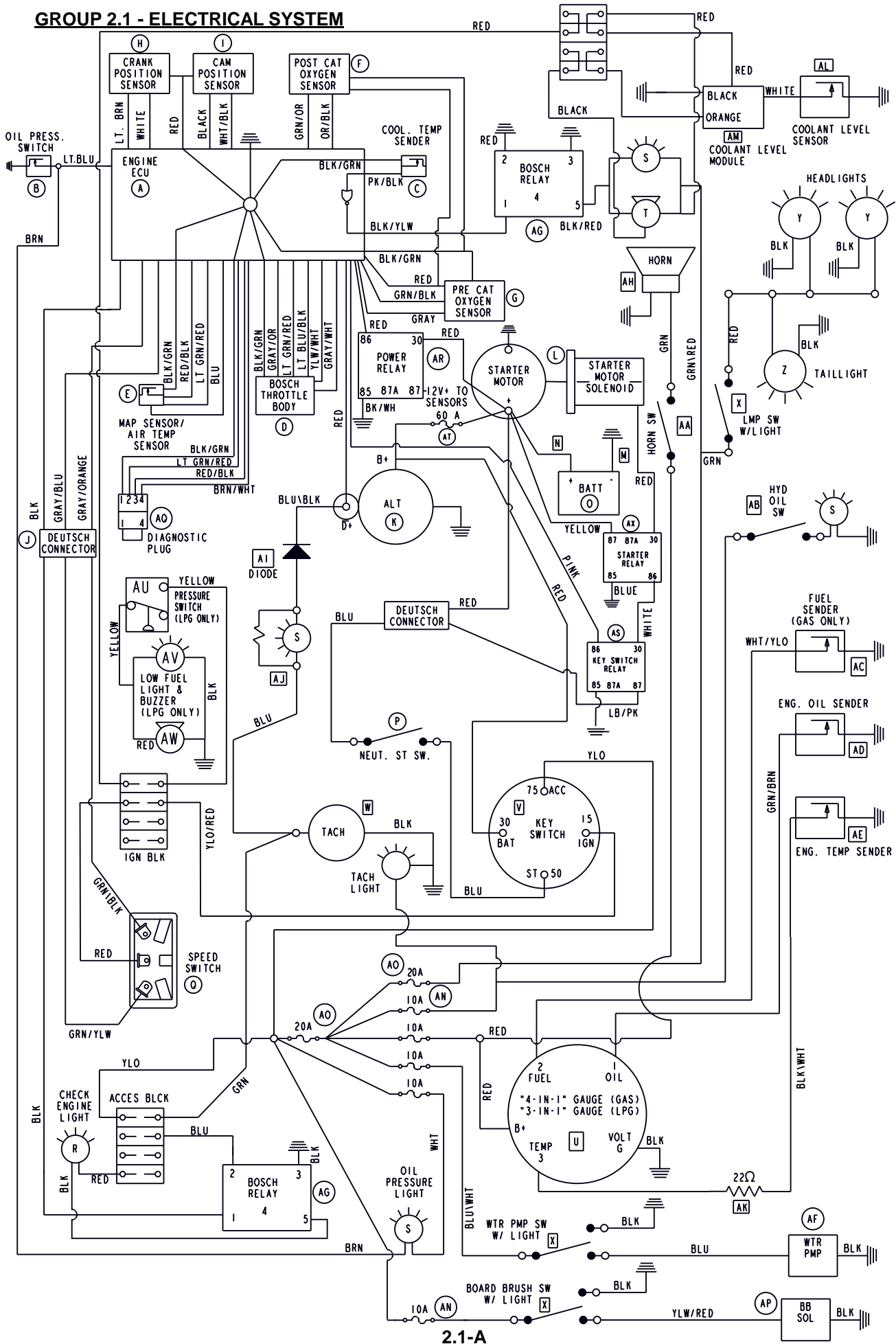


**GROUP 1.7 - TRANSFER CASE**

IND	PART NO	COMMON to 500	DESCRIPTION	QTY	SERIAL NO
<b><u>ODG GEARBOX</u></b>					
	2J-05900	N	GEAR BOX, TRANSFER CASE 4-1	1	10208 -
1&2		N	HOUSING HALF, TRANSFER CASE (NOT SERVICED)		10208 -
3	2J-0590C	N	PINION GEAR, INPUT	1	10208 -
4	2J-0590D	N	OUTPUT GEAR, 4:1 RATIO	1	10208 -
5	2J-0590B	N	SHAFT, OUTPUT	1	10208 -
6	15-05116	N	KEY, 1/2"SQ X 1.5 LONG	1	10208 -
7	1X-05900	N	BEARING, SINGLE ROW DEEP GROOVE	4	10208 -
8	2F-05905	N	OIL SEAL, END CAP 80MM 9D X 10MM THK	1	10208 -
9	2F-05900	N	OIL SEAL, 1.875 X 3.00 X .312	2	10208 -
10	FL-1812M	N	PLUG, SQ HD STL, MAGNETIC	1	10208 -
11	FL-18160	N	PLUG, 1/2 NPT HEX SKT	1	10208 -
12	16-04710	N	PIN, DOWEL, 1/4 X 7/8	2	10208 -
13	HA-14120	N	CAPSCREW, SKT HD, 1/2-13 X 3	6	10208 -
14	HA-14116	N	CAPSCREW, SKT HD, 1/2-13 X 2	1	10208 -
15	3R-05900	N	BREATHER, GEAR BOX	1	10208 -
16	2E-0155B	N	O-RING, .094 THK X 4.0 ID BN 70	1	10208 -
17	2J-05905	N	MOUNT, ODG TRANSFER CASE	1	10208 -
18	2J-05910	N	MOUNT, ODG TRANSFER CASE	1	10208 -
19	HA-15027	N	BOLT, HX HD, 1/2-20 X 5.5	2	10208 -
20	HA-15986	N	NUT, STOVER, 1/2-20	2	10208 -

**OIL CAPACITY APPROX. 4.22 U.S PINTS OR 2 LITRES 80W90 WEIGHT = 108 LB.**

**GROUP 2.1 - ELECTRICAL SYSTEM**



2.1-A

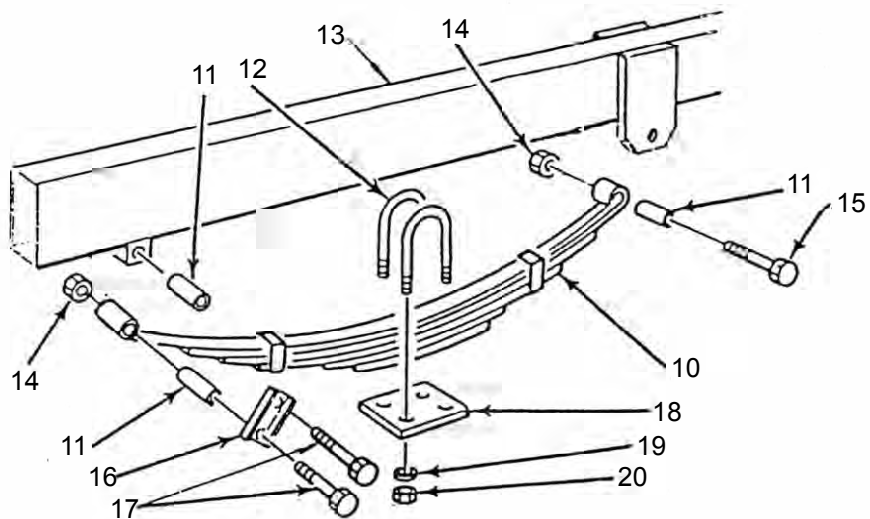
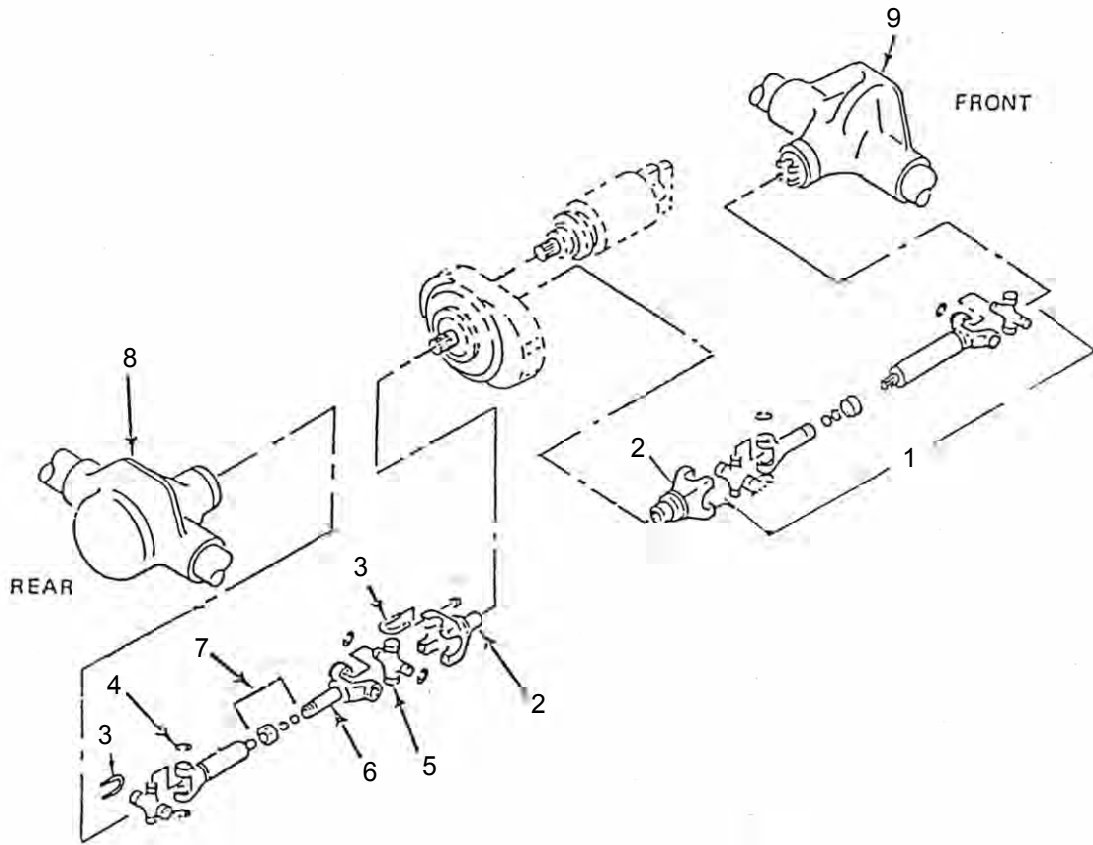
**GROUP 2.1 - ELECTRICAL SYSTEM**

IND	PART NO	COMMON		DESCRIPTION	QTY	SERIAL NO
			to 500			
A	3H-5460L	N		ECU, ENGINE, LPG	1	10133 -
	3H-5460G	N		ECU, ENGINE, GAS	1	10133 -
B	3L-0546L	N		SWITCH, OIL PRESSURE	1	10133 -
C	3H-5460C	N		SENSOR, COOLANT TEMPERATURE	1	10133 -
D	75-0545N	N		CONNECTOR, THROTTLE BODY	1	10133 -
E	3H-5460D	N		SENSOR, MAP	1	10133 -
F	3H-5460B	N		OXYGEN SENSOR, POST CAT	1	10133 -
G	3H-5460B	N		OXYGEN SENSOR, PRE CAT	1	10133 -
H	3H-5460J	N		SENSOR, SPEED (CRANK)	1	10133 -
I	3H-5460F	N		SENSOR, CAMSHAFT POSITION	1	10133 -
J	75-06145	N		CONNECTOR, DEUTSCH, 12 PIN, PLUG	1	10133 -
	75-06143	N		CONNECTOR, DEUTSCH, 12 PIN, RECEPTACLE	1	10133 -
	75-06144	N		LOCKING WEDGE, DEUTSCH, PIN, RECEPTACLE	1	10133 -
	75-06142	N		LOCKING WEDGE, DEUTSCH, SOCKET, PLUG	1	10133 -
	75-06123	N		CONTACTS, DEUTSCH, PIN,	8	10133 -
	75-06113	N		CONTACTS, DEUTSCH, SOCKET	8	10133 -
	75-06124	N		SEALING PLUG, DEUTSCH	8	10133 -
K	3E-1546A	N		ALTERNATOR	1	10133 -
L	3E-54600	N		STARTER MOTOR ASSY.	1	10133 -
M	75-76552	N		CABLE, BATTERY, 42", NEG, BLK	1	10133 -
N	75-17996	N		CABLE, BATTERY, 40", POS, RED	1	10133 -
	75-40060	N		CABLE, POS POST TO 3/8" LUG, 10" RED	1	10133 -
O	77-75250	Y		BATTERY, 12 V	1	10133 -
N/S	7P-40020	N		SWITCH, BATTERY DISCONNECT, BLK	1	10133 - 11466
	7P-40040	N		SWITCH, BATTERY DISCONNECT, RED	1	11467 -
P	7P-7962A	Y		SWITCH ASSY., NEUTRAL START	1	10133 -
Q	7P-77365	Y		SWITCH, RPM SPEED	1	10133 -
R	7L-1526A	N		LIGHT ASSY., CHECK ENGINE LIGHT	1	10133 -
N/S	7L-1525C	N		LAMP ASSY, GREEN LED, GREEN MEANS GO	1	10133 -
S	7L-78460	Y		LIGHT ASSY., INDICATOR LIGHT	4	10133 - 10094
	7L-78462	Y		BULB, INDICATOR LIGHT	4	10133 - 10094
	7L-78470	N		INDICATOR LIGHT, RED, LED	4	10095 -
T	7X-0500A	Y		BUZZER ALARM, ENGINE TEMPERATURE	1	10133 -
U	7K-50030	N		GAUGE, 3-IN-1, (OIL, WATER TEMP, VOLTS), LPG	1	10133 -
	7K-50040	N		GAUGE, 4-IN-1, (OIL, WATER TEMP, VOLTS), GAS	1	10133 -
V	7P-04400	Y		SWITCH, KEY	1	10133 -
W	7K-7729A	Y		TACH-HOUR METER, LCD, SS BEZEL	1	10133 -
X	7P-77262	Y		SWITCH, UNIVERSAL	3	10133 -
Y	7L-17981	N		HEADLIGHT, PLASTIC HOUSING	2	10133 -
	7L-17990	N		BULB	2	10133 -
Z	7L-17780	Y		TAIL LAMP	1	10133 -

**GROUP 2.1 - ELECTRICAL SYSTEM**

IND	PART NO	COMMON to 500	DESCRIPTION	QTY	SERIAL NO
AA	7P-76369	Y	SWITCH, HORN	1	10133 -
AB	3R-06523	Y	SWITCH, HYDRAULIC OIL FILTER	1	10133 -
AC	3F-4005A	Y	SENDER, FUEL	1	10133 -
AD	7K-50060	N	SENDER, ENGINE OIL PRESSURE, 80 PSI	1	10133 - 11465
	7K-50100	N	SENDER, ENGINE OIL PRESSURE, 100 PSI	1	11466
AE	7K-9001D	N	SENDER, ENGINE TEMPERATURE	1	10133 -
AF	8F-37470	Y	WATER PUMP CLUTCH COIL	1	10133 -
AG	3E-18525	N	RELAY, BOSCH, ENGINE TEMPERATURE	2	10133 -
AH	7X-10420	Y	HORN, VEHICLE WARNING	1	10133 -
AI	3E-0262D	Y	DIODE, ALTERNATOR	1	10133 -
AJ	7L-1001A	Y	RESISTOR, ALT. LAMP SHUNT	1	10133 -
	75-19546	N	WIRE HARNESS, MAIN LOOM	1	10133 -
	75-1546G	N	WIRE HARNESS, ENGINE LOOM, GAS	1	10133 -
	75-1546L	N	WIRE HARNESS, ENGINE LOOM, GAS	1	10133 -
	75-15460	N	WIRE HARNESS, PIGTAIL	1	10133 -
	75-15461	N	WIRE HARNESS, FUEL MANIFOLD, GAS	1	10133 -
	75-1826E	Y	WIRE HARNESS, INSTRUMENT PANEL	1	10133 -
AK	3E-54000	N	RESISTOR, TEMP GAUGE	1	10133 -
AL	3H-0560L	N	SENSOR, COOLANT LEVEL	1	10133 -
AM	3H-0560M	N	MODULE, COOLANT LEVEL DETECTOR	1	10133 -
AN	78-77560	N	CIRCUIT BREAKER, 10 AMP	11	10133 - 10143
				10	10144 -
AO	78-77570	N	CIRCUIT BREAKER, 20 AMP	1	10133 - 10143
				2	10144 -
AP	2V-9029C	Y	COIL, SOLENOID VALVE, BOARD BRUSH MANIFOLD	1	10133 -
AQ	75-18541	N	PLUG, ECU GROUND JUMPER	1	10133 -
AR	3E-54570	N	RELAY, POWER	1	10133 -
AS	3E-54580	N	RELAY, STARTER	1	10133 -
AT	78-54560	N	FUSE, ALTERNATOR, 60A	1	10133 -
AU	7P-0043C	N	SWITCH, PRESSURE, LPG LOW FUEL	1	10133 -
AV	7P-77267	N	LIGHT, LPG LOW-FUEL	1	10133 -
AW	7X-05400	N	ALARM, LPG LOW-FUEL	1	10133 -
N/S	3E-54670	N	RELAY, FUEL PUMP (GAS ONLY)	0,1	10133 -
N/S	78-54505	N	5A FUSE (AUTOMOTIVE STYLE)	1-2	10133 -
N/S	78-54510	N	10A FUSE (AUTOMOTIVE STYLE)	1	10133 -
N/S	78-54515	N	15A FUSE (AUTOMOTIVE STYLE)	2-3	10133 -

**GROUP 3.1 - AXLES, DRIVE SHAFTS, WHEELS, TIRES & SUSPENSION**



3.1-A

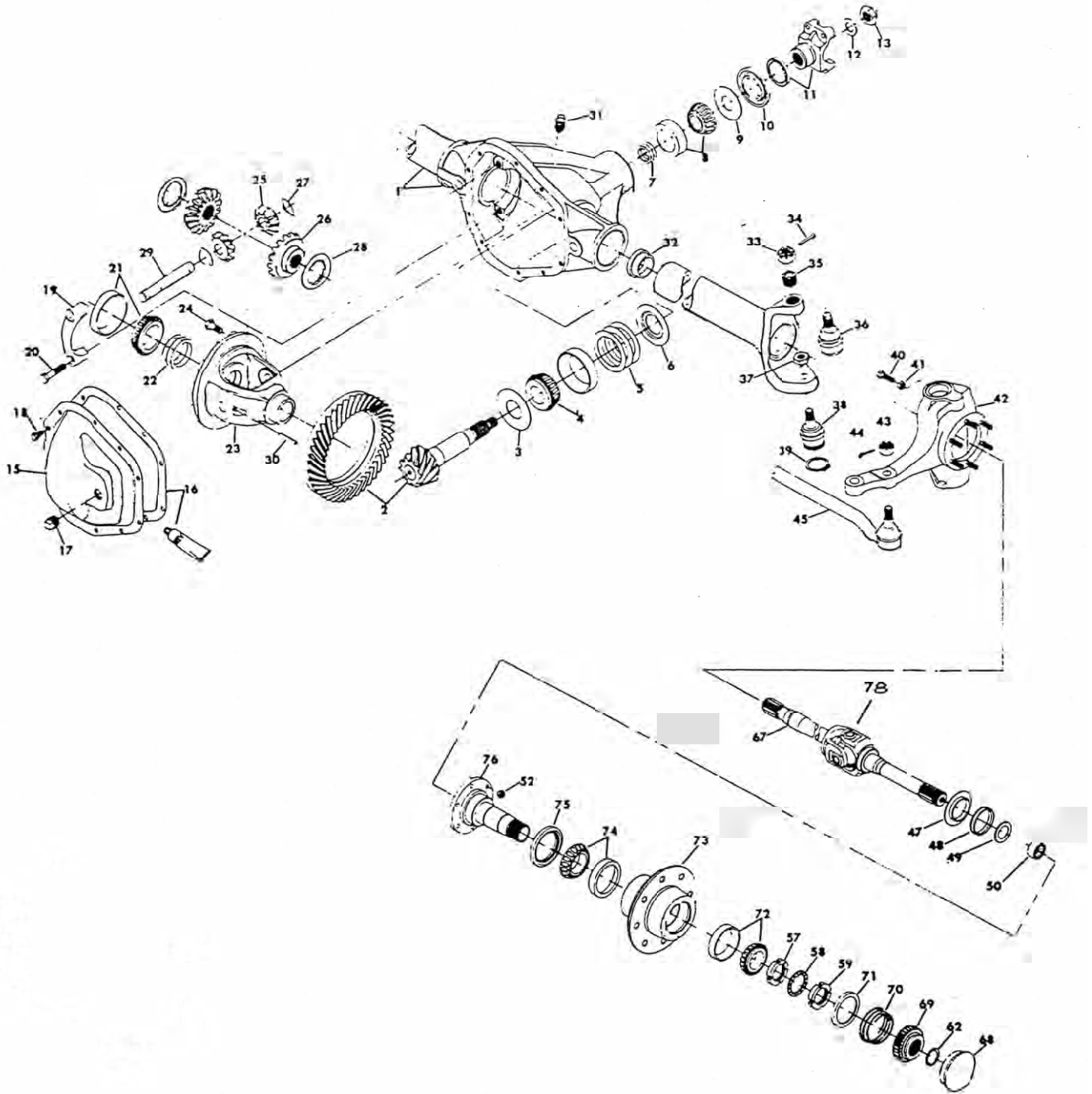
**GROUP 3.1 - AXLES, DRIVE SHAFTS, WHEELS, TIRES & SUSPENSION**

IND	PART NO	COMMON to 500	DESCRIPTION	QTY	SERIAL NO
1	1H-16200	Y	DRIVE SHAFT	2	10133 -
2	1H-74670	Y	END YOKE, DRIVE SHAFT	2	10133 -
	HD-12862	Y	FLAT WASHER, SPECIAL 7/16	2	10133 -
	HA-12862	Y	LOCKWASHER, 7/16	2	10133 -
	HA-12014	Y	SCREW, HEX HEAD, 7/16-14 X 1 1½	2	10133 -
3	1L-73040	Y	U-BOLT, NUT & WASHER	8	10133 -
	1H-74695	Y	STRAP ASSEMBLY(OONLY FOR 60 REAR AXLE)	2	10133 -
4	1F-73060	Y	SNAP-RING	8	10133 -
5	1F-73050	Y	CROSS BEARING W/DUST CAP	4	10133 -
6	1F-72950	Y	SLIP TUBE YOKE	2	10133 -
7	1F-72970	Y	DUST CAP ASSY.	2	10133 -
8	1E-16660	N	REAR AXLE, IN HUBS, WITH BRAKE CABLES	1	10133 -
	FD-04160	Y	STREET ELBOW, REAR AXLE	1	10133 -
9	1D-16681	Y	FRONT AXLE ASSY., INCL. HUBS	1	10133 -
	FD-04210	Y	STREET ELBOW, FRONT AXLE	1	10133 -
	1A-2600C	Y	ASSY, WHEEL & TIRE, CHROME	4	10133 - 11486
	1A-2700C	N	ASSY, WHEEL & TIRE, ALUM	4	11487 -
	1B-2600C	Y	WHEEL, CHROME	4	10133 - 11486
	1B-2700A	N	WHEEL, ALUM	4	11487 -
	1B-51722	Y	TIRE WITH TRACTION STUDS	4	10133 -
	1B-10000	Y	STUD, TRACTION (APPRX. 86 PCS. PER TIRE)	AR	10133 -
	HD-1600C	Y	NUT, LUG, STEEL CHROME	32	10133 -
	1F-1668A	Y	ASSY., STEERING KNUCKLE, LEFT SIDE	1	10133 -
	1F-1668B	Y	ASSY., STEERING KNUCKLE, RIGHT SIDE	1	10133 -
10	1L-75100	Y	LEAF SPRING ASSY.	2	10133 -
11	10-40500	Y	BUSHING, SPRING SHACKLE	6	10133 -
12	1K-73360	Y	U-BOLT	4	10133 -
13	1V-52500	N	CHASSIS	1	10133 -
14	HA-13981	Y	LOCKNUT, HEX, 7/16-20	6	10133 -
15	HA-13021	Y	SCREW, HEX HEAD, 7/16-20 X 3¼	2	10133 -
16	1M-40510	Y	STRAP, SPRING, SHACKLE	4	10133 -
17	HA-13020	Y	SCREW, HEX HEAD, 7/16-20 X 3	4	10133 -
18	1P-73340	Y	PLATE, U-BOLT	2	10133 -
19	HA-14862	Y	LOCKWASHER, ½	8	10133 -
20	HD-15981	Y	NUT, SPECIAL HEX, ½-20	8	10133 -
N/S	1K-16470	Y	U-BOLT, FRONT AXLE	4	10133 -
	HA-14862	Y	LOCKWASHER, ½	8	10133 -
	HD-15981	Y	NUT, SPECIAL HEX, ½-20	8	10133 -

AXLE OIL CAPACITY - use 90W gear oil

Front axle                    6.1 U. S. pints/2.7L  
Rear axle                      9.1 U. S. pints/4.3L

**GROUP 3.2 - FRONT AXLE**



**GROUP 3.2 - FRONT AXLE**

IND	PART NO	COMMON to 500	DESCRIPTION	QTY	SERIAL NO
	1D-16680	Y	AXLE, ASS'Y, FRONT, INCL. HUBS (044BA103-1)		10133 -
1	**	Y	HOUSING-AXLE		10133 -
2	*	Y	GEAR & PINION ASS'Y-DRIVE		10133 -
3	*	Y	SLINGER PINION BEARING INNER		10133 -
4	BO-5315V	Y	KIT-INNER PINION BEARING	1	10133 -
5	*	Y	SHIM-DRIVE PINION ADJUSTING		10133 -
6	*	Y	BAFFLE-PINION BEARING		10133 -
7	*	Y	SHIM-PINION BEARING ADJUSTING		10133 -
8	BO-5028V	Y	KIT-OUTER PINION BEARING	1	10133 -
9	*	Y	SLINGER-PINION BEARING OUTER		10133 -
10	2F-3250A	Y	SEAL-PINION	1	10133 -
11	1F-95510	Y	END YOKE ASSEMBLY	1	10133 -
12	HA-22861	Y	WASHER-PINION NUT	1	10133 -
13	HA-23981	Y	NUT-PINION	1	10133 -
15	*	Y	COVER-CARRIER W/PLUG		10133 -
16	1F-94660	Y	GASKET-CARRIER COVER	1	10133 -
17	FL-18210	Y	PLUG-COVER	1	10133 -
18	1F-95549	Y	BOLT-CARRIER COVER	10	10133 -
19	**	Y	CAP-DIFFERENTIAL BEARING		10133 -
20	1F-72919	Y	BOLT-DIFFERENTIAL BEARING CAP	4	10133 -
21	BO-5255V	Y	KIT-DIFFERENTIAL BEARING	1	10133 -
22	*	Y	SHIM-DIFFERENTIAL BEARING		10133 -
23	*	Y	CASE-DIFFERENTIAL		10133 -
24	1F-72918	Y	BOLT-DRIVE GEAR	10	10133 -
25	*	Y	PINION-DIFFERENTIAL		10133 -
26	*	Y	GEAR-DIFFERENTIAL		10133 -
27	*	Y	THRUST WASHER-DIFFERENTIAL PINION		10133 -
28	*	Y	THRUST WASHER-DIFFERENTIAL GEAR		10133 -
29	*	Y	SHAFT-DIFFERENTIAL		10133 -
30	15-81620	Y	LOCK-DIFFERENTIAL SHAFT	1	10133 -
31	1F-72916	Y	PLUG-VENT	1	10133 -
32	2F-93460	Y	SEAL & GUIDE-TUBE	2	10133 -
33	*	Y	NUT-HEX. SLOTTED	2	10133 -
34	HA-52712	Y	PIN-COTTER	2	10133 -
35	1F-94470	Y	RING-ADJUSTING SPLIT	2	10133 -
36	SEE KIT H	Y	SOCKET ASS'Y-UPPER		10133 -
37	HA-23988	Y	NUT-HEX. JAM	2	10133 -
38	SEE KIT H	Y	SOCKET ASS'Y-LOWER		10133 -
39	HA-7112A	Y	RING-SNAP	2	10133 -
40	1F-72917	Y	SCREW-STOP	2	10133 -
41	HA-11982	Y	NUT-JAM	2	10133 -
42	SEE KIT F&G	Y	KNUCKLE ASS'Y		10133 -
43	HA-17985	Y	NUT-HEX. SLOTTED	2	10133 -
44	HA-57211	Y	PIN-COTTER	2	10133 -
45	4D-18970	Y	TIE ROD ASS'Y	1	10133 -
47	INCL W/#67	Y	SLINGER-SPINDLE YOKE		10133 -
48	2F-95310	Y	SEAL-OIL, SPINDLE		10133 -
49	1F-95460	Y	SPACER-WHEEL BEARING SPINDLE		10133 -
50	1X-92080	Y	BEARING ASS'Y-NEEDLE		10133 -
52	HA-11981	Y	NUT-BRAKE MOUNTING	6	10133 -
57	1F-95440	Y	NUT & PIN ASS'Y-INNER LOCK	2	10133 -



**GROUP 3.2 - FRONT AXLE**

IND	PART NO	COMMON to 500	DESCRIPTION	QTY	SERIAL NO
58	1F-95450	Y	LOCK-RETAINING NUT	2	10133 -
59	1F-95390	Y	NUT-WHEEL BEARING ADJUSTING	2	10133 -
62	HA-7080A	Y	RING SNAP	2	10133 -
67LT	1F-95280	Y	SHAFT & JOINT ASSY.	1	10133 -
67RT	1F-95270	Y	SHAFT & JOINT ASSY.	1	10133 -
68	1F-95400	Y	DUST COVER	2	10133 -
69	1F-95410	Y	GEAR-AXLE DRIVE	2	10133 -
70	1F-95420	Y	SPRING-PRESSURE	2	10133 -
71	1F-95430	Y	PLATE-SPRING RETAINING	2	10133 -
72	BL-6501A	Y	OUTER WHEEL BEARING, CONE	2	10133 -
	BL-6501M	Y	OUTER WHEEL BEARING, CUP	2	10133 -
73	1F-95330	Y	HUB-WHEEL	2	10133 -
74	BL-6104A	Y	INNER WHEEL BEARING, CONE	2	10133 -
	BJ-6104M	Y	INNER WHEEL BEARING, CUP	2	10133 -
75	2F-95380	Y	SEAL-OIL	2	10133 -
76	SEE KIT D	Y	SPINDLE-WHEEL BEARING	2	10133 -
77	HD-15306	Y	STUD, WHEEL, 1/2-20, R. H.	16	10133 -
78	1F-95263	Y	CROSS, SHAFT & JOINT ASSY.	2	10133 -

\* PART NOT SERVICED INDIVIDUALLY

\*\* CONSULT ZAMBONI FACTORY

*LEFT SIDE INDICATES DRIVER'S SIDE OF THE RESURFACER FOR BOTH FRONT AND REAR AXLES.*

KIT A	1F-95060	DRIVE GEAR AND PINION ASSEMBLY (Includes Items 2,3,4,5,6,7,8,9,10,12,13,16,22,24)	1	10133 -
KIT B	1F-94970	DIFFERENTIAL CASE ASSEMBLY (Includes Items 16,21,22,23,24,25,26,27,28,29,30)	1	10133 -
KIT C	1F-95590	DIFFERENTIAL PARTS (Includes Items 16,18,24,25,26,27,28,29,30)	1	10133 -
KIT D	1F-95300	WHEEL BEARING SPINDLE (Includes Items 48,49,50,76) ***		10133 -
KIT F	1F-1668B	STEERING KNUCKLE - R. H. (Includes Items 33,34,35,36,37,38,39,42)	1	10133 -
KIT G	1F-1668A	STEERING KNUCKLE - L.H. (Includes Items 33,34,35,36,37,38,39,42)	1	10133 -
KIT H	1F-93610	SOCKET ASSEMBLY (Includes Items 33,34,35,36,37,38,39) ***		10133 -

\*\*\* ONE KIT REQUIRED PER SIDE



**GROUP 3.3 - REAR AXLE**

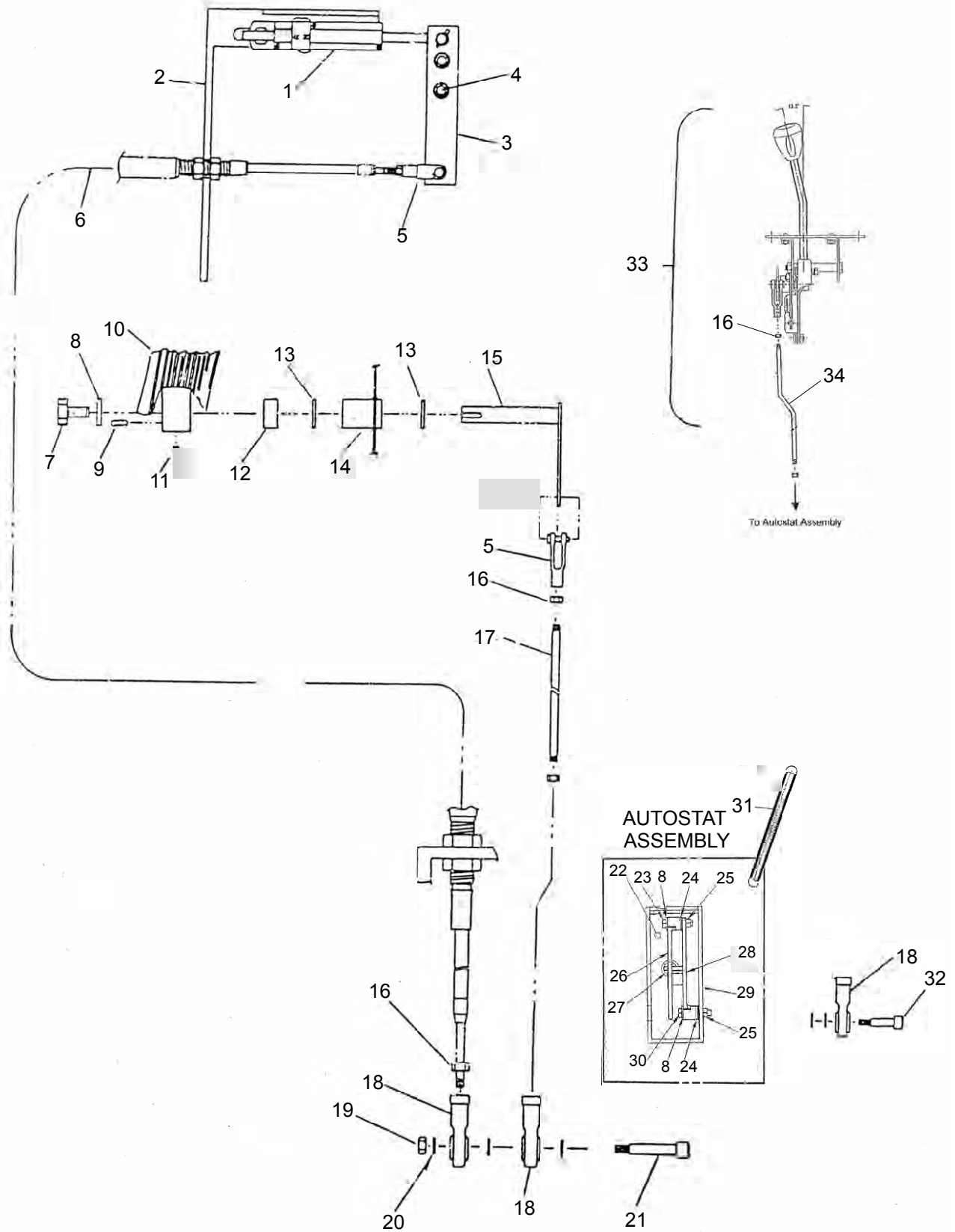
IND	PART NO	COMMON to 500	DESCRIPTION	QTY	SERIAL NO
1	1E-16660	N	AXLE ASSY, REAR, W/ BRAKE CABLES	1	10133 -
2	9493	Y	RING & PINION	1	10133 -
3	BH-6803A	Y	INNER PINION BEARING, CONE	1	10133 -
	BH-6803M	Y	INNER PINION BEARING, CUP	1	10133 -
4	9480	Y	SHIM SET	1	10133 -
5	1F-7292C	Y	BAFFLE	1	10133 -
6	1F-7292A	Y	SHIM SET	1	10133 -
7	BH-5885A	Y	OUTER PINION BEARING, CONE	1	10133 -
	BH-5885M	Y	OUTER PINION BEARING, CUP	1	10133 -
8	1F-7292B	Y	SLINGER	1	10133 -
9	2F-3051A	Y	PINION SEAL	1	10133 -
10	9552	Y	END YOKE ASSEMBLY	1	10133 -
11	NPN	Y	WASHER	1	10133 -
12	HA-27988	Y	NUT	1	10133 -
14	9548	Y	COVER	1	10133 -
15	9547	Y	GASKET DIFFERENTIAL COVER	1	10133 -
16	NPN	Y	DRAIN PLUG	1	10133 -
17	NPN	Y	CARRIER COVER BOLT	10	10133 -
18-29	9492	Y	CARRIER ASSEMBLY	1	10133 -
23-29	9557	Y	SPIDER GEARS	1	10133 -
20	B0-3387A	Y	BEARINGS FOR CASE, CONE	1	10133 -
	B0-3382M	Y	BEARINGS FOR CASE, CUP	1	10133 -
21	9479	Y	CARRIER SHIM KIT	1	10133 -
30	NPN	Y	BOLT	4	10133 -
31	NPN	Y	NUT	4	10133 -
32	2F-4258A	Y	SEAL	1	10133 -
33	BO-3370V	Y	INNER WHEEL BEARING KIT	2	10133 -
34	BO-3359V	Y	OUTER WHEEL BEARING KIT	2	10133 -
35	1F-00200	Y	HUB & DRUM ASSEMBLY	1	10133 -
36	1F-6001A	Y	STUD	16	10133 -
37	9442	Y	NUT BEARING ADJUSTMENT	4	10133 -
38	9445	Y	LOCKWASHER	2	10133 -
39	9342	Y	AXLE SHAFT LH & RH	2	10133 -
40	9553	Y	ADAPTER, STUD	16	10133 -
41	1F-6002A	Y	LOCKNUT	16	10133 -
N/S	9512	Y	FLANGE GASKET	2	10133 -
N/S	1F-6000B	Y	LUG STUD	16	10133 -
N/S	9492	Y	KIT, CASE FOR DIFFERENTIAL, 60 REAR	1	10133 -
N/S	9493	Y	KIT, RING & PINION, 60 REAR	1	10133 -

N/S = NOT SHOWN

**BRAKE DRUM ASSEMBLY**

1	1J-7292L	Y	WHEEL CYLINDER, LEFT WHEEL	1	10133 -
	1J-7292R	Y	WHEEL CYLINDER, RIGHT WHEEL	1	10133 -
2&3	1J-7292B	Y	BRAKE SHOE SET	1	10133 -
	1J-0552A	Y	BRAKE DRUM ASSEMBLY, LH	1	10133 -
	1J-0552B	Y	BRAKE DRUM ASSEMBLY, RH	1	10133 -
N/S	1J-05523	Y	BRAKE BLEEDER VALVE/FITTING	1	10133 -

**GROUP 4.1 - HYDROSTAT CONTROL**

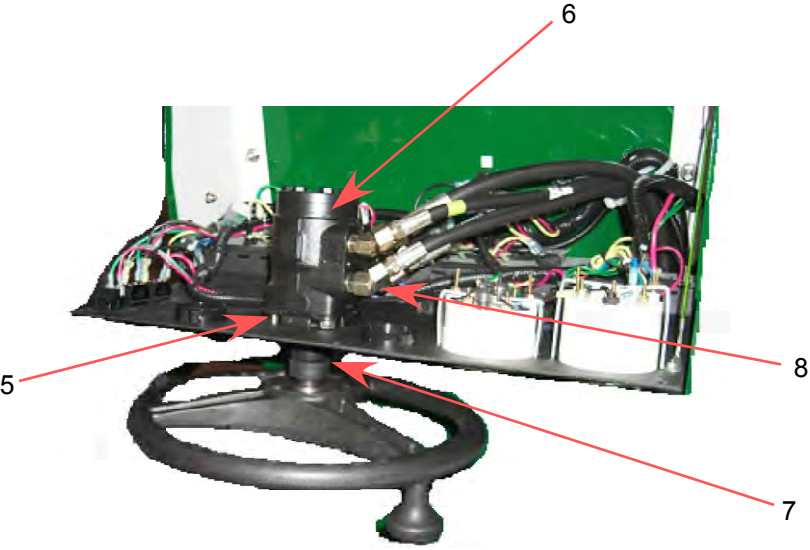
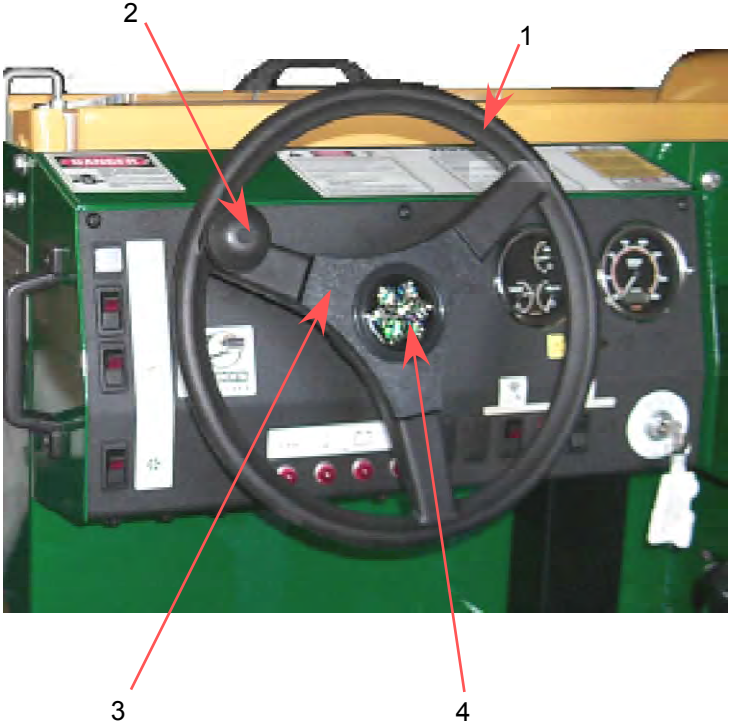


4.1-A

**GROUP 4.1 - HYDROSTAT CONTROL**

IND	PART NO	COMMON to 500	DESCRIPTION	QTY	SERIAL NO
1	7P-7962A	Y	SWITCH, NEUTRAL START	1	10133 -
	32-05010	Y	HARDWARE KIT, NEUTRAL START SWITCH MOUNTING	1	10133 -
2	5T-00500	Y	BRACKET, CABLE & NEUTRAL START SWITCH MOUNT	1	10133 -
3	39-07000	Y	LEVER, SWASH PLATE CONTROL	1	10133 -
4	HA-10009	Y	SCREW, HEX HEAD, 3/8-16 X 3/4	2	10133 -
	HA-10862	Y	WASHER, LOCK, 3/8	2	10133 -
	HA-10980	Y	NUT, HEX HEAD, 3/8-16	2	10133 -
5	36-0510A	Y	CLEVIS YOKE & PIN ASSY.	2	10133 -
6	33-0503C	Y	CABLE, HYDROSTATIC CONTROL	1	10133 -
7	HA-08009	Y	SCREW, HEX HEAD, 5/16-18 X 3/4	1	10133 -
8	HA-08860	Y	WASHER, FLAT, 5/16	3	10133 -
9	15-01100	Y	KEY, SQUARE, 3/16 X 1	1	10133 -
10	4M-05001	Y	FOOT PEDAL	1	10133 -
11	HD-0840F	Y	SCREW, SET, SOCKET, 5/16-18 X 3/8	1	10133 -
12	11-2424C	Y	COLLAR, CLAMPING, 3/4 X 1 1/4	1	10133 -
13	1X-05000	Y	THRUST BEARING, 3/4 X 1 1/4	2	10133 -
14	5T-0600A	Y	BRACKET, CONTROL MOUNTING	1	10133 -
15	39-06005	Y	WELDMENT, FOOT PEDAL LEVER	1	10133 -
16	HA-04980	Y	NUT, HEX HEAD, #10-32	6	10133 -
17	4E-06002	Y	FOOT CONTROL ROD	1	10133 -
18	4J-04030	Y	ROD END	3	10133 -
19	HA-02981	Y	NUT, LOCK, NYLON, #8-32	2	10133 -
20	HA-03867	Y	WASHER, FLAT, #10 SAE	5	10133 -
21	HH-00064	Y	SCREW, SHOULDER, 3/16 X 1	1	10133 -
22	32-05000	Y	AUTOSTAT ASSY. (INCLUDES ITEMS 8, 23-31)	1	10133 -
23	HA-11015	Y	SCREW, HEX HEAD, 3/8-24 X 1 3/4	1	10133 -
24	10-0520A	Y	BUSHING, FLANGED, OILITE, 7/8	1	10133 -
25	HA-11980	Y	NUT, HEX HEAD, 3/8-24	2	10133 -
26	32-0500B	Y	LEVER, LEFT ARM	1	10133 -
27	1L-0520B	Y	SPRING, EXTENSION	1	10133 -
28	32-0500A	Y	LEVER, RIGHT ARM	1	10133 -
29	32-0500C	Y	WELDMENT, FRAME	1	10133 -
30	HA-11016	Y	SCREW, HEX HEAD, 3/8-24 X 2	1	10133 -
31	1L-0520A	Y	SPRING, EXTENSION	1	10133 -
32	HH-00040	Y	SCREW, SHOULDER, 3/16 X 5/8	1	10133 -
33	32-06525	N	ASSY., SINGLE HAND LEVER CONTROL	1	10133 -
34	4E-06001	Y	SHIFT CONTROL ROD	1	10133 -

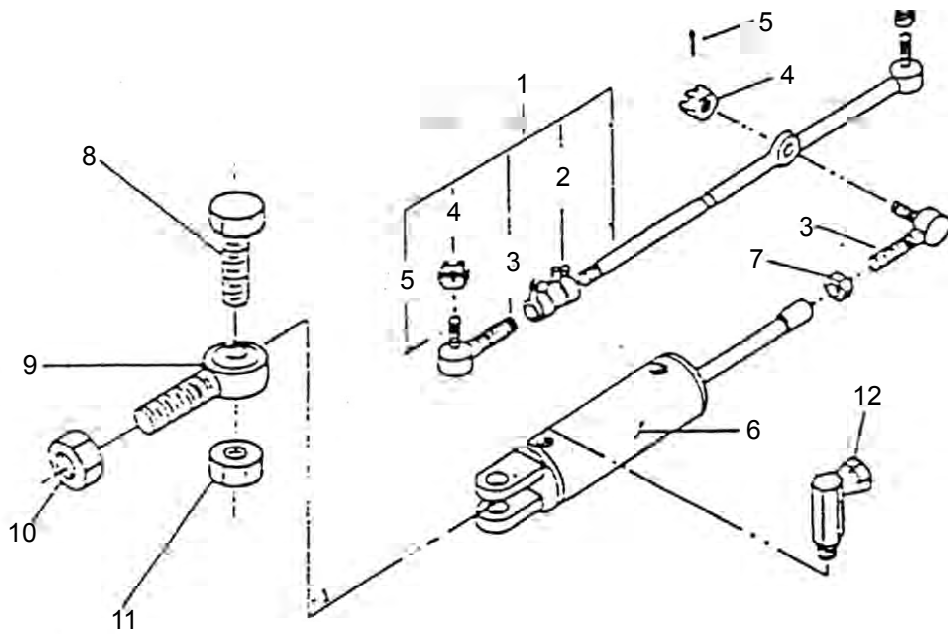
**GROUP 4.2 - STEERING SYSTEM**



**GROUP 4.2 - STEERING SYSTEM**

IND	PART NO	COMMON to 500	DESCRIPTION	QTY	SERIAL NO
1	4C-05205	Y	STEERING WHEEL	1	10133 -
N/S	HA-24982	Y	NUT, STEERING WHEEL	1	10133 -
2	4C-05202	Y	KNOB, STEERING WHEEL	1	10133 -
	HA-08017	Y	BOLT, 5/16-18 X 2¼	1	10133 -
	HA-08981	Y	LOCKNUT, 5/16-18	1	10133 -
3	4C-05201	Y	CAP, STEERING WHEEL	1	10133 -
4	81-79700	Y	DECAL, SNOW FLAKE	1	10133 -
5	HA-10013	Y	SCREW,HEX HD,3/8-16 X 1¼	2	10133 -
	HA-10862	Y	LOCKWASHER,3/8	2	10133 -
6	4C-05100	Y	CONTROL,POWER STEERING	1	10133 -
	4C-0510A	Y	SEAL KIT, STEERING CONTROL	1	10133 -
7	4C-79980	Y	COLUMN, STEERING CONTROL	1	10133 -
8	F1-75040	Y	ADAPTER, 45° ELBOW, 08MB X 06FS	4	10133 -

**GROUP 4.2 - STEERING SYSTEM**





**GROUP 4.2 - STEERING SYSTEM**

IND	PART NO	COMMON to 500	DESCRIPTION	QTY	SERIAL NO
1	4D-18971	Y	TIE ROD (INCLUDES 2,3,4,5)	1	10133 -
2	4D-01000	Y	SLEEVE & CLAMP ASSY., TIE ROD	1	10133 -
3	4J-01000	Y	ROD END, LEFT HAND THREAD	2	10133 -
4	HA-17985	Y	NUT, HEX SLOTTED, 9/16-18	2	10133 -
5	HA-52711	Y	COTTER PIN, 1/8 X 1	2	10133 -
6	2X-2008B	Y	CYLINDER, HYDRAULIC, 2 X 8	1	10133 -
	2X-2008L	Y	SEAL KIT FOR 2X-2008B CYLINDER	1	10133 -
7	HD-56981	Y	HEX NUT, LEFT HAND THREAD, 7/8-18	1	10133 -
8	HA-18018	Y	SCREW, HEX HEAD, 5/8-11 X 1½	1	10133 -
9	4J-04040	Y	ROD END, MALE, TWO PIECE, 5/8-18	1	10133 -
10	HA-19982	Y	NUT, HEX, THIN, 5/8-18	1	10133 -
11	HA-18986	Y	NUT, TRI-LOCK, HEX, 5/8-11	1	10133 -
12	F2-69050	Y	FITTING, 90° ELBOW, 06MP X 04FS	2	10133 -



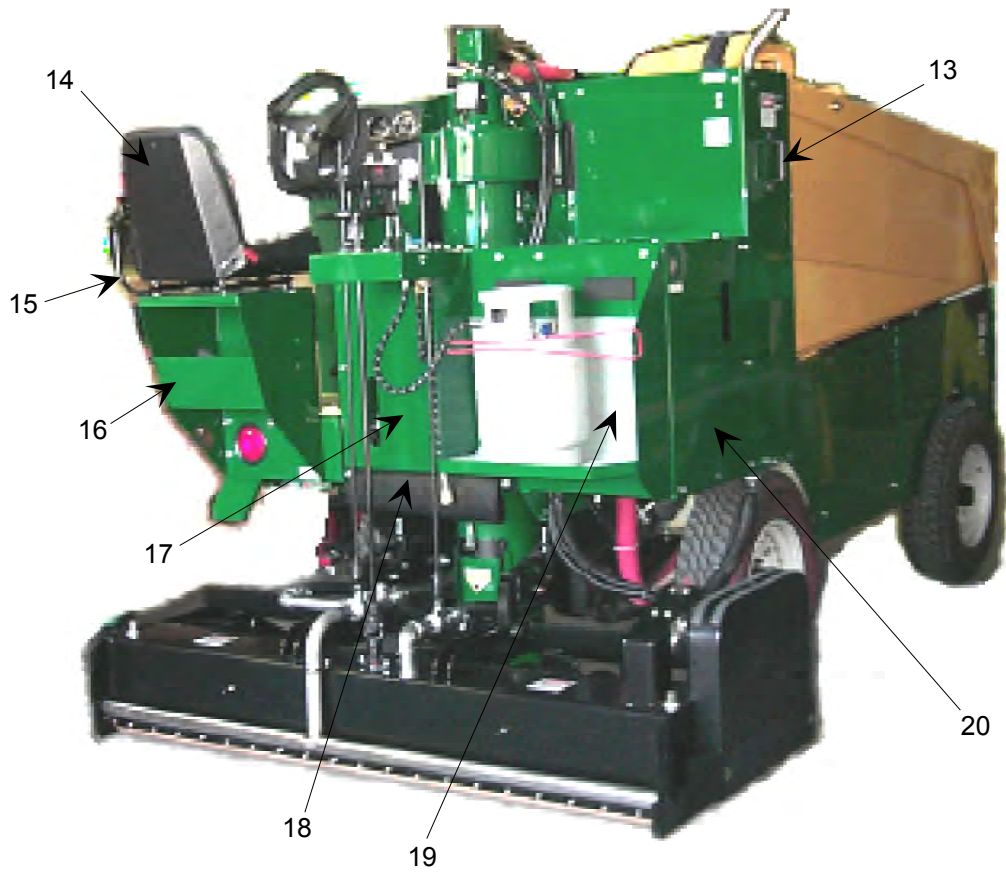
**GROUP 4.3 - BRAKING SYSTEM**

IND	PART NO	COMMON to 500	DESCRIPTION	QTY	SERIAL NO
<b><u>BRAKE MASTER CYLINDER</u></b>					
1	4M-31560	Y	MASTER CYLINDER	1	10133 - 10136
	KZ-31580	N	KIT, MASTER CYLINDER, SINGLE PORT	1	10133 - 10136
	4M-31580	N	MASTER CYLINDER, SINGLE PORT	1	10137 -
	HA-10014	Y	SCREW, HEX HEAD, 3/8-16 X 1½	2	10133 - 10136
	HA-10860	Y	WASHER, FLAT, 3/8	2	10133 - 10136
	HA-10862	Y	LOCKWASHER, 3/8	2	10133 - 10136
	HA-10980	Y	NUT, HEX, 3/8-16	2	10133 - 10136
	HA-06014	N	SCREW, HEX HEAD, 1/4-20 X 1½	2	10137 -
	HF-06860	N	WASHER, FLAT, 1/4, SS	4	10137 -
	HF-06980	N	NUT, HEX, 1/4-20	2	10137 -
	HF-06862	N	LOCKWASHER, 1/4	2	10137 -
2	HA-11980	Y	NUT, HEX, 3/8-24	1	10133 -
3	36-01570	Y	YOKE, CLEVIS, 3/8-24	1	10133 -
4	HA-63312	Y	PIN, CLEVIS 3/8 X 31/32	1	10133 -
5	HA-51711	Y	COTTER PIN, 3/32 X 1	1	10133 -
6	4F-34220	Y	BRAKE PEDAL ARM	1	10133 -
7	HA-30861	Y	WASHER, FLAT, 1	2	10133 -
8	HA-7064A	Y	E-RING, EXTERNAL, 1	1	10133 -
9	1L-0520A	Y	BRAKE RETURN SPRING	1	10133 -
10	HA-18980	Y	HEX NUT, 5/8-11	1	10133 -
11	4M-40480	Y	PEDAL, BRAKE	1	10133 -
12	4M-40490	Y	BRAKE PEDAL COVER	1	10133 -
13	4M-40402	Y	ADAPTER, BRAKE LINE, 3/16	1	10133 - 10136
	4M-40404	N	ADAPTER, BRAKE LINE, 5/16	1	10133 - 10136
	F4-15070	N	ADAPTER, BRAKE LINE, REDUCER	1	10137 -
14	4P-30800	Y	BRAKE LINE TUBE ASSY, 8	2	10133 - 10136
	N/A	N	N/A	N/A	10137 -
15	4M-40400	Y	TEE, BRAKE LINE, 3/16	1	10133 - 10136
	N/A	N	N/A	N/A	10137 -
16	4M-40401	Y	BRAKE LINE ADAPTER	1	10133 - 10136
	N/A	N	N/A	N/A	10137 -
17	4P-34000	Y	BRAKE LINE TUBE ASSY, 40	1	10133 -
18	4M-17580	Y	BRAKE HOSE ASSY	1	10133 -
19	5T-73680	Y	BRACKET, 1-7/8 X 1 X 1/8	1	10133 -
20	4P-32000	Y	BRAKE LINE TUBE ASSY, 20	1	10133 -
21	4P-33000	Y	BRAKE LINE TUBE ASSY, 30	1	10133 -
	1L-33500	Y	BRAKE SPRING SET	2	10133 -
	1J-7292B	Y	BRAKE SHOES (SET)	1	10133 -
<b><u>PARKING BRAKE</u></b>					
1	4M-0700A		LEVER ASSY, HAND BRAKE	1	10133 -
2	46-39772		COVER, PARKING BRAKE LEVER	1	10133 -
3	33-0107A		PARKING BRAKE CABLE	2	10133 -

**GROUP 5.1 - INSTRUCTION PLATES & NAMEPLATES**

IND	PART NO	COMMON to 500	DESCRIPTION	QTY	SERIAL NO
	81-16040	Y	ZAMBONI NAMEPLATE	1	10133 -
	HF-01304	Y	STAINLESS STEEL SCREW	6	10133 -
	81-18440	Y	BOARD BRUSH SERIAL NUMBER	1	10133 -
	81-18790	Y	SERIAL NUMBER & PATENT	1	10133 -
	83-0400J	Y	CONTROL RODS	1	10133 -
	81-79550	Y	TIRE PRESSURE, 75 PSI	4	10133 -
	81-41370	Y	HYDRAULIC OIL	1	10133 -
	81-74180	Y	WARNING,USE UNLEADED GAS (WITH CAT CONV)	1	10133 -
	81-75500	Y	DECAL, DANGER...HANDS & FEET	3	10133 -
	83-75520	Y	BLADE ANGLE	1	10133 -
	81-7555A	Y	UNLEADED GASOLINE	1	10133 -
	83-75570	Y	ICE-MAKING WATER	1	10133 -
	83-75580	Y	WASH WATER	1	10133 -
	83-77070	Y	CONTROL VALVE, LEFT	1	10133 -
	83-77075	Y	CONTROL VALVE, RIGHT	1	10133 -
	81-21260	Y	CAUTION-EXPANSION TANK CAP	1	10133 -
	83-0500A	Y	FUSE PANEL	1	10133 -
	81-0500B	Y	HYDRAULIC FILTER INFORMATION	1	10133 -
	81-0510A	Y	HYDROSTAT BY-PASS	1	10133 -
	81-2000A	Y	DANGER... DO NOT OPERATE..	1	10133 -
	81-2000B	Y	DANGER... USE SAFETY STAND...	1	10133 -
	81-2000C	Y	DANGER... MOVING PARTS... (4 X 4)	5	10133 -
	81-2000D	Y	DANGER... NO STEPPING...	2	10133 -
	81-2000N	Y	DANGER... NO RIDERS...	2	10133 -
	81-2000H	Y	DANGER... ROTATING PARTS...	2	10133 -
	81-2000F	Y	DANGER... MOVING PARTS... (3 X 3)	1	10133 -
	81-2000P	Y	DANGER... EXHAUST GASES...	1	10133 -
	81-06200	Y	ENGINE RPM, ELECTRONIC GOVERNOR	1	10133 -
	81-50010	Y	OPERATING INSTRUCTIONS	1	10133 -
	81-50015	Y	KEY SWITCH	1	10133 -
	81-79100	Y	SWITCHES	1	10133 -
	81-79300	Y	WARNING LIGHTS	1	10133 -
	81-50525	N	CHECK ENGINE LIGHT	1	10133 -
	81-50526	N	GREEN MEANS GO	1	10133 -
	81-50527	N	COOLANT ALARM	1	10133 -

**GROUP 5.2 - BODY PANELS**

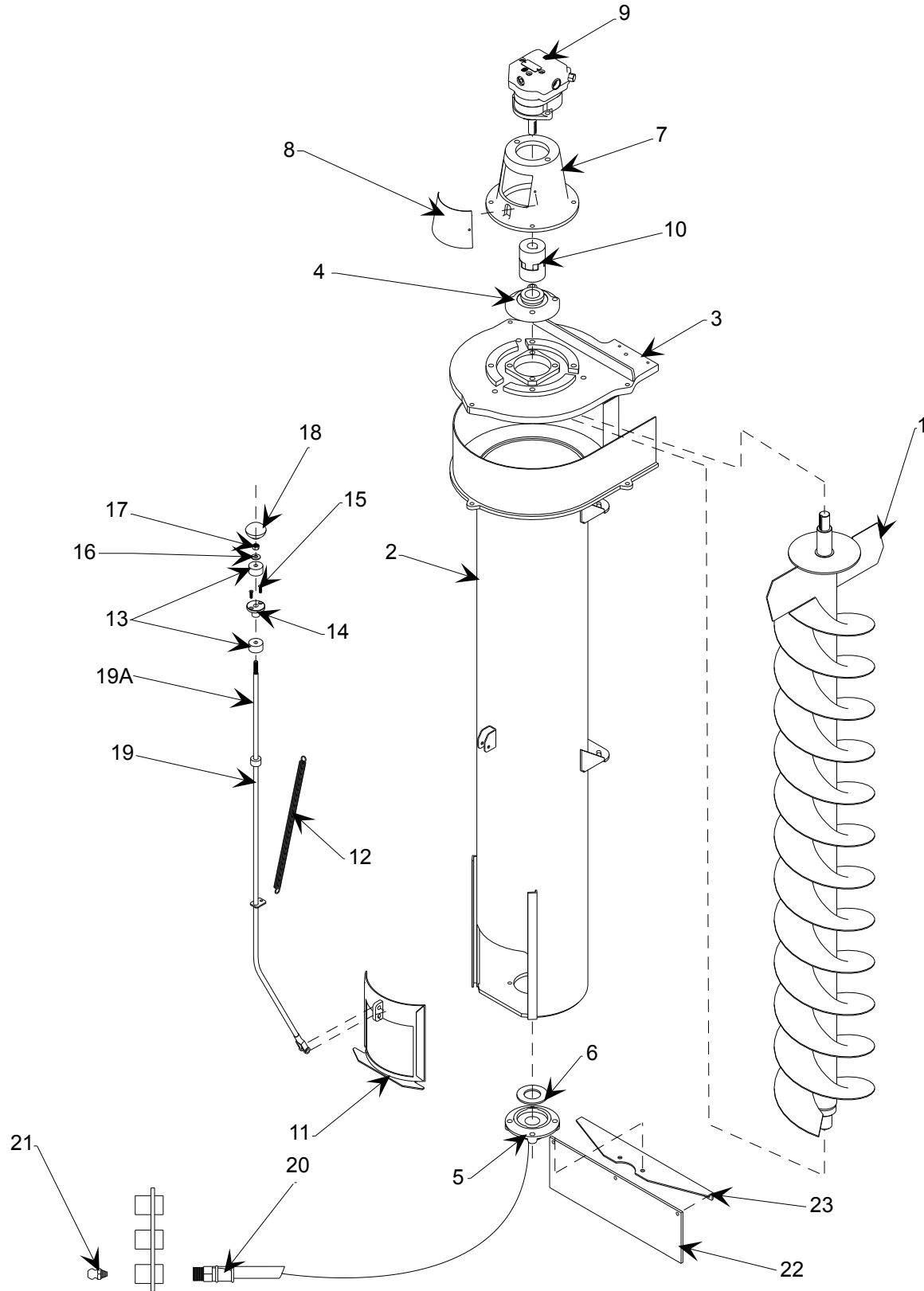


**5.2-A**

**GROUP 5.2 - BODY PANELS**

IND	PART NO	COMMON		DESCRIPTION	QTY	SERIAL NO
			to 500			
1	46-17540	N		FRONT PANEL	1	10133 -
	HF-10011	Y		SCREW, S.S., HEX HEAD, 3/8-16 X 1	4	10133 -
	HF-10860	Y		WASHER, FLAT, S.S., 3/8	8	10133 -
	HF-10862	Y		LOCKWASHER, S.S., 3/8	4	10133 -
3	8T-15805	Y		BUMPER	1	10133 -
	HA-14213	Y		CARRIAGE SCREW, 1/2-13 X 1 1/4	4	10133 -
	HA-14986	Y		NUT, HEX, TRI-LOCK, 1/2-13	4	10133 -
4	8R-16800	Y		GUIDE WHEEL	1	10133 -
	HP-32894	Y		WASHER, FLAT, NYLON	1	10133 -
	HF-10013	Y		SCREW, HEX HEAD, 3/8-16 X 1-1/4	1	10133 -
	HF-10981	Y		NYLON NUT, HEX LOCK, 3/8-16	1	10133 -
	HF-08860	Y		WASHER, FLAT, 5/16	2	10133 -
5	15-15520	Y		SHAFT & STRAP, GUIDE WHEEL	1	10133 -
6	46-25521	N		PANEL, FRONT DOOR, LH	1	10133 -
7	46-25541	N		PANEL, FRONT DOOR, RH	1	10133 -
8	47-17720	Y		HINGE, DOOR PANEL	2	10133 -
	HA-04706	Y		SCREW, FILLISTER HEAD, #10-32 X 1/2	16	10133 -
	HA-04981	Y		NUT, LOCK, #10-32	16	10133 -
	1L-0520C	Y		SPRING, DOOR	2	10133 -
9	46-15535	Y		PANEL, REAR, LH	1	10133 -
10	46-15540	Y		PANEL, REAR, RH	1	10133 -
	HA-08009	Y		SCREW, HEX HD, 5/16-18 X 3/4	8	10133 -
	HA-08862	Y		WASHER, FLAT, 5/16	8	10133 -
	HA-08981	Y		NUT, HEX, LOCK, 5/16	8	10133 -
	8T-12540	Y		BUMPER, DOOR	2	10133 -
	HA-04711	Y		SCREW, FILLISTER HEAD, #10-32 X 1	2	10133 -
	HD-05862	Y		FLAT WASHER, SPECIAL	2	10133 -
	HA-04981	Y		NUT, HEX, LOCK, #10-32	2	10133 -
11	47-17840	Y		LATCH, LEFT SIDE, DOOR	1	10133 -
12	47-17850	Y		LATCH, RIGHT SIDE, DOOR	1	10133 -
13	4A-40510	Y		HAND GRIP	2	10133 -
14	7H-72900	Y		SEAT ASSEMBLY	1	10133 -
15	7H-1524C	Y		HAND RAIL	1	10133 -
16	7H-05222	N		SUPPORT, OPERATOR'S SEAT, W/ PARKING BRAKE	1	10133 -
17	46-15394	Y		REAR PANEL, LEFT	1	10133 -
18	49-42460	Y		FLAP, REAR PANEL	1	10133 -
	1M-42100	Y		STRAP, FLAP RETAINER	1	10133 -
19	46-05230	Y		PANEL, FUEL TANK MOUNTING (LPG)	1	10133 -
	*SEE SECTION 1.030 - ENGINE FUEL SYSTEM - LPG FOR H/W & MISC PARTS					
	46-15400	Y		REAR PANEL, RIGHT SIDE (GASOLINE)	1	10133 -
20	46-15212	Y		PANEL, RIGHT, TOP AND SIDE	1	10133 -
HARDWARE WITH 17-20:				17 - (4) A, (4) B, (3) C, (3) D, (5) M		
				18 - (2) E, (2) F, (2) G, (2) H, (2) I, (2) B		
				19 - (7) A, (7) B, (7) E, (7) F, (7) M		
				20 - (7) A, (7) B, (7) C, (7) D, (3) J, (3) K, (6) M		
A	HF-08011	Y		SCREW, HEX HEAD, 5/16-18 X 1, SS		10133 -
B	HF-08862	Y		LOCKWASHER, SS, 5/16		10133 -
C	HF-06860	Y		WASHER, FLAT, 1/4		10133 -
D	HD-08862	Y		WASHER, FLAT, NYLON, .318IDX.751ODX062THK		10133 -
E	HD-08865	Y		WASHER, FLAT, NYLON, .344ID X .875OD X .062THK		10133 -
F	HF-08860	Y		WASHER, FLAT, 5/16, S.S.		10133 -
G	HD-08007	Y		STUD, 5/16-18 X 1-3/4, ALL THD		10133 -
H	HF-08903	Y		SS HEX NUT, 5/16-18		10133 -
I	HA-08990	Y		WINGNUT, 5/16-18		10133 -
K	HF-08009	Y		SCREW, HEX HEAD, 5/16-18 X 3/4, SS		10133 -
L	HA-08981	Y		NUT, HEX LOCK, 5/16-18		10133 -
M	HA-08900	Y		NUT, SPEED "J" TYPE, 5/16		10133 -

**GROUP 6.1 - VERTICAL CONVEYOR**



6.1-A

**GROUP 6.1 - VERTICAL CONVEYOR**

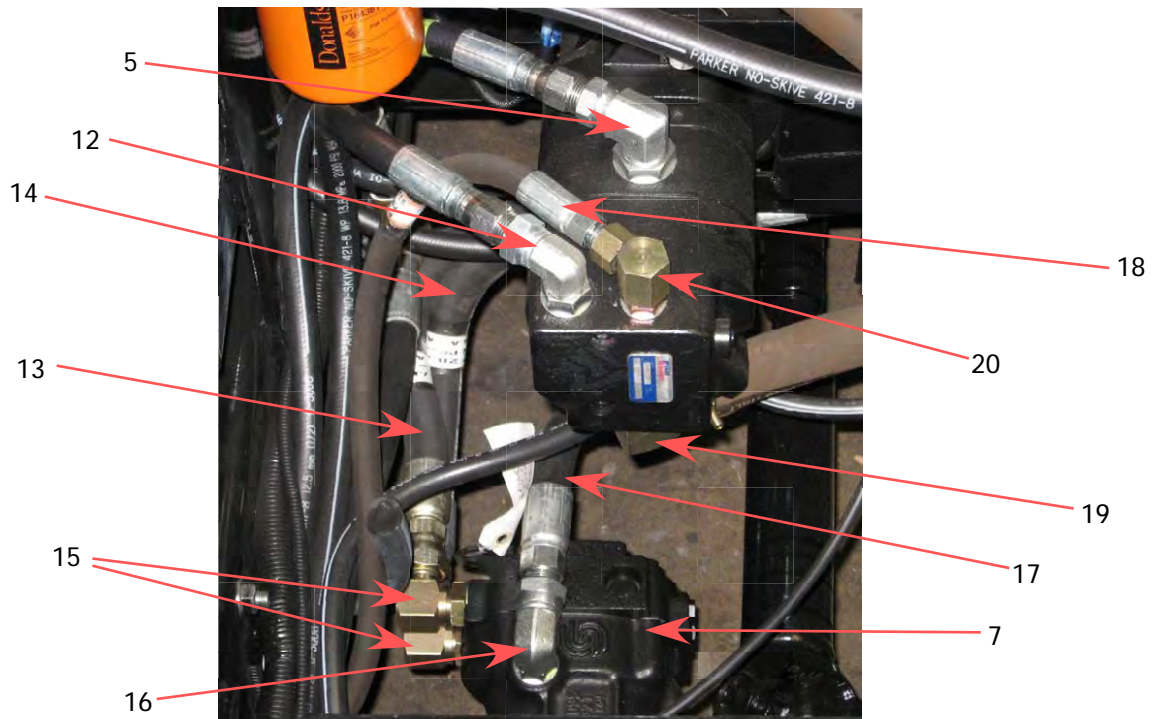
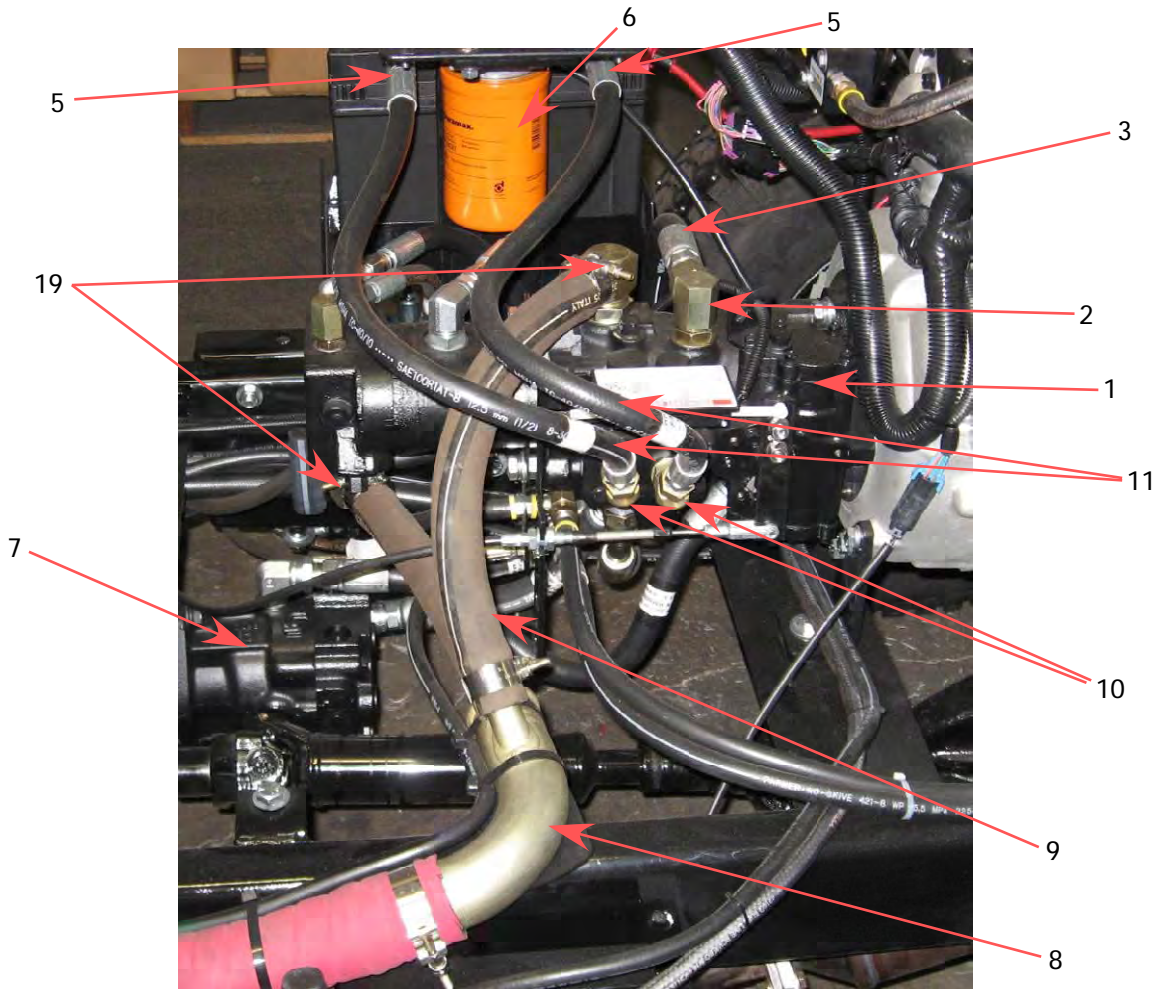
IND	PART NO	COMMON		DESCRIPTION	QTY	SERIAL NO
			to 500			
1	5A-69740	Y		VERTICAL CONVEYOR	1	10133 -
2	5A-06020	Y		HOUSING, VERTICAL CONVEYOR	1	10133 -
	HA-10011	Y		SCREW, HEX HEAD, 3/8-16 X 1	4	10133 -
	HA-10984	Y		K-LOCKNUT, 3/8-16	4	10133 -
	49-50000	N		GUARD, VERTICAL AUGER, RIGHT SIDE	1	10133 -
	HF-10511	N		SCREW,SS,SKT BUTTON HD,3/8-16X1	2	10133 -
	HF-10861	N		WASHER,FLAT,SAE STD,3/8,S.S.	4	10133 -
	HF-10981	N		NYLON NUT, HEX LOCK, 3/8-16 , STAINLESS	2	10133 -
3	5A-05100	Y		COVER, SLINGER HOUSING	1	10133 -
	HF-1501S	Y		SCREW, HEX HEAD, 1/2-20 X 3/8	3	10133 -
	HA-10030	Y		SCREW, HEX HEAD, 3/8-16 X 7	3	10133 -
	HA-10862	Y		WASHER, LOCK, 3/8	3	10133 -
	HA-10860	Y		WASHER, FLAT, 3/8	6	10133 -
	HA-10980	Y		NUT, HEX, 3/8-16	3	10133 -
4	1X-36642	Y		BEARING, VERTICAL CONVEYOR, TOP	1	10133 -
	HF-10014	Y		SCREW, HEX HEAD, SHOULDER, 3/8-16 X 1 1/2	4	10133 -
	HA-10862	Y		WASHER, LOCK, 3/8	4	10133 -
	HA-10860	Y		WASHER, FLAT, 3/8	4	10133 -
	1Z-1669B			GREASE FTG, 1/8" NPT, 1-3/4" LG (REXNORD BRG)	1	10133 - 10167
	1Z-01581			GREASE FTG, 1/8" NPT, 30° (DODGE BRG)	1	10168 -
5	1X-36642	Y		BEARING, VERTICAL CONVEYOR, BOTTOM	1	10133 -
	HA-10014	Y		SCREW, HEX HEAD, 3/8-16 X 1 1/2	4	10133 -
	HA-10862	Y		WASHER, LOCK, 3/8	4	10133 -
6	HA-30870	Y		WASHER, SAE, FLAT, 1 1/2	1	10133 -
7	3M-11000	Y		MOTOR MOUNT	1	10133 -
	HA-10011	Y		SCREW, HEX HEAD, 3/8-16 X 1	4	10133 -
	HA-10862	Y		WASHER, LOCK, 3/8	4	10133 -
	HA-10860	Y		WASHER, FLAT, 3/8	4	10133 -
8	3M-11020	Y		COVER PLATE	1	10133 -
	HF-04206	Y		SCREW, SS, BUTTON HEAD, 10-32 X 1/2	2	10133 -
	HA-03862	Y		WASHER, LOCK, #10	2	10133 -
9	2M-75700	N		MOTOR, HYDRAULIC (CASAPPA)	1	10133 - 10134
	2M-75800	N		MOTOR, HYDRAULIC (PERMCO)	1	10135 -
	2M-7570B	N		KIT, SEAL (CASAPPA)	1	10133 - 10134
	2M-7453K	N		KIT, SEAL (PERMCO)	1	10135 -
	HA-10013	Y		SCREW, HEX HEAD, 3/8-16 X 1 1/4	2	10133 -
10	2A-0450D	Y		COUPLING, LOVEJOY	1	10133 - 10207
	2A-0400K	N		COUPLING, ROTEX	1	10208 -
	2A-0450C	Y		INSERT, LOVEJOY	1	10133 - 10207
	2A-0400L	N		INSERT, ROTEX	1	10208 -



**GROUP 6.1 - VERTICAL CONVEYOR**

IND	PART NO	COMMON to 500	DESCRIPTION	QTY	SERIAL NO
11	5C-69630	Y	SNOW BREAKER	1	10133 -
	HA-10014	Y	SCREW, HEX HEAD, 3/8-16 X 1½	1	10133 -
	HA-10981	Y	NUT, HEX, NY-LOCK, 3/8-16	1	10133 -
12	1L-75450	Y	SPRING, SNOW BREAKER	1	10133 -
	HA-1101S	Y	ANCHOR BOLT	1	10133 -
	HA-77100	Y	RING	1	10133 -
13	8T-75380	Y	BUMPER, SNOW BREAKER, ROD	2	10133 -
14	13-19925	Y	BUSHING, SNOW BREAKER ROD	1	10133 -
15	HF-04309	Y	SCREW, SOCKET FLAT HEAD, 10-32 X 3/4	2	10133 -
16	HA-10860	Y	WASHER, FLAT, 3/8	1	10133 -
17	HA-11980	Y	NUT, HEX, 3/8-24	1	10133 -
18	4B-40830	Y	KNOB, CONTROL ROD	1	10133 -
19	5C-16930	Y	ROD, SNOW BREAKER CONTROL	1	10133 -
19A	5C-16920		SNOW BREAKER EXTENSION	1	10133 -
20	PL-0135B	Y	HOSE, LUBRICATION, 1/8 X 53	1	10133 -
21	1Z-01580	Y	GREASE FITTING, 1/8 NPT	3	10133 -
22	5A-06036	Y	SNOW FLAP RUBBER	1	10133 -
23	5A-06037	Y	BRACKET, SNOW FLAP	1	10133 -
	HA-06009	Y	SCREW, HEX HEAD, ¼-20 X 3/4	3	10133 -
	HA-06862	Y	WASHER, LOCK, ¼	3	10133 -
	HA-06860	Y	WASHER, SAE, FLAT, ¼	6	10133 -
	HA-06980	Y	NUT, HEX, ¼-20	3	10133 -
N/S	15-02108	Y	KEY, ¼ SQUARE X 1¼	1	10133 -
N/S	15-01116	Y	KEY, 3/16 SQUARE X 1½	1	10133 -
N/S	5C-16920	Y	EXTENSION, SNOW BREAKER	1	10133 -

**GROUP 7.1 - HYDROSTATIC DRIVE SYSTEM**

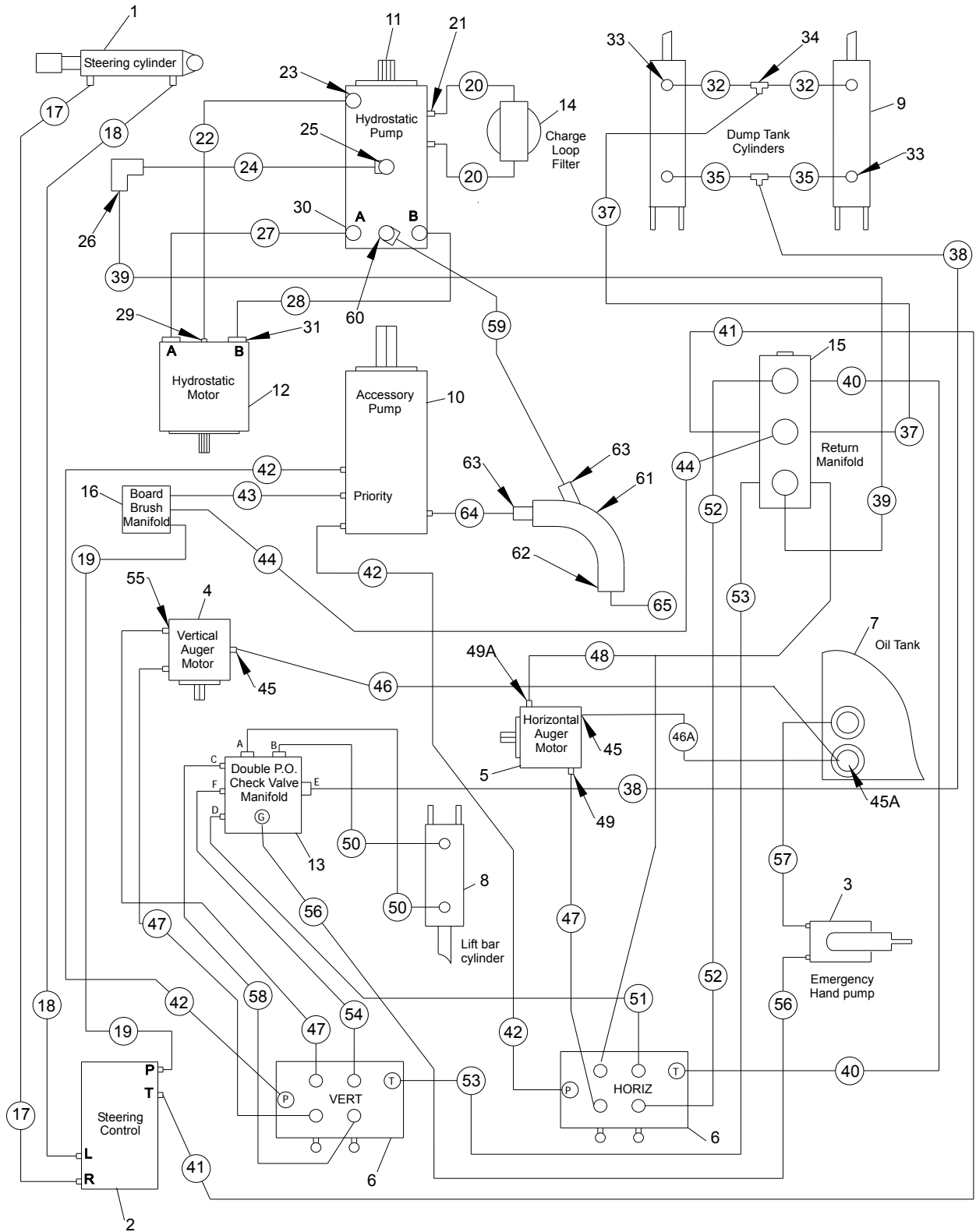


7.1-A

**GROUP 7.1 - HYDROSTATIC DRIVE SYSTEM**

IND	PART NO	COMMON to 500	DESCRIPTION	QTY	SERIAL NO
1	2P-05860	N	PUMP, HYDROSTATIC, M46	1	10133 -
	KZ-0586P	N	KIT, SEAL, SPOOL, M46 PUMP	1	10133 -
	2P-05863	N	KIT, SHAFT SEAL, M46 PUMP	1	10133 -
	KZ-0587S	N	KIT, SHAFT (15T LONG X 13T)	1	10133 -
N/S	F1-75085	Y	FITTING, 45° ELBOW, 12MB X 12FS	1	10133 -
2	F1-69120	Y	FITTING, 90° ELBOW, 12MB X 12FS	1	10133 -
3	PM-6080B	Y	HOSE, 3/4 X 20.0, 12MP X 12MP	1	10133 -
5	F1-69110	Y	ADAPTER, 90° ELBOW, 12MB X 08FS	3	10133 -
6	3R-07000	Y	FILTER ASSEMBLY, MANIFOLD & ELEMENT	1	10133 -
	3R-07001	Y	FILTER ELEMENT	1	10133 -
	3R-07002	Y	FILTER INDICATOR	1	10133 -
	3R-07003	Y	FILTER HEAD	1	10133 -
7	2M-06020	N	MOTOR, HYDROSTATIC, M44 W/LOOP FLUSHING	1	10133 -
8	23-05525	N	MANIFOLD, HYDRAULIC OIL SUPPLY	1	10133 -
N/S	5P-05250	N	RUBBER GUARD W/ 3EA CABLE TIES	1	10133 -
9	PX-3071A	N	HOSE, 1 X 17.5, SUCTION	1	10133 -
	27-2202A	Y	CLAMP, T-BOLT, 1 INCH HOSE	2	10133 -
10	F1-75080	Y	FITTING, 45° ELBOW, 10MB X 08FS	2	10133 -
11	PM-4116B	Y	HOSE, 1/2 X 29.0, 08MP X 08MP	2	10133 -
12	F1-69090	N	FITTING, 90° ELBOW, 08FS X 10MB	1	10133 -
13	PC-4086B	Y	HOSE, HI-PRESS., 1 X 21.5, 12TN X 12F745	1	10133 -
14	PC-4073B	Y	HOSE, HI-PRESS., 1 X 18.0, 12TN X 12F745	1	10133 -
15	F1-67390	Y	FITTING, 90° ELBOW, 12MB X 12MJ	2	10133 -
16	F1-69100	Y	FITTING, 90° ELBOW, 10MB X 12FS	1	10133 -
17	PM-6092B	Y	HOSE, 3/4 X 23.0, 12MP X 12MP	1	10133 -
18	PM-3164C	Y	HOSE, 3/8 X 41.0, 06MP X 06FJTN	1	10133 -
19	FW-11300	Y	90° ELBOW, 1 INCH HOSE X 16MB	2	10133 -
20	F1-69050	Y	FITTING, 90° ELBOW, 08MB X 06FS	1	10133 -
N/S	F1-62360	Y	ADAPTER, 16MB X 12MJ	2	10133 -

**GROUP 7.2 - HYDRAULIC SYSTEM**



**GROUP 7.2 - HYDRAULIC SYSTEM**

IND	PART NO	COMMON to 500	DESCRIPTION	QTY	SERIAL NO
1	2X-2008B	Y	STEERING CYLINDER	1	10133 -
2	4C-05100	Y	STEERING CONTROL	1	10133 -
	4C-0510A	Y	SEAL KIT, STEERING CONTROL	1	10133 -
3	2P-20000	Y	HAND PUMP	1	10133 -
4	2M-75700	N	MOTOR, HYDRAULIC (CASAPPA)	1	10133 - 10134
	2M-75800	N	MOTOR, HYDRAULIC (PERMCO)	1	10135 -
	2M-7570B	N	KIT, SEAL (CASAPPA)	1	10133 - 10134
	2M-7453K	N	KIT, SEAL (PERMCO)	1	10135 -
5	2M-75700	N	MOTOR, HYD. HORIZONTAL CONVEYOR (CASAPPA)	1	10133 - 10134
	2M-75800	N	MOTOR, HYD. HORIZONTAL CONVEYOR (PERMCO)	1	10135 -
	2M-7570B	N	KIT, SEAL (CASAPPA)	1	10133 - 10134
	2M-7453K	N	KIT, SEAL (PERMCO)	1	10135 -
6	2V-75060	Y	VALVE, HYDRAULIC CONTROL	2	10133 -
7	7A-15806	Y	HYDRAULIC OIL TANK	1	10133 -
8	2X-3005A	Y	CONDITIONER LIFT BAR CYLINDER	1	10133 -
9	2X-2514A	Y	CYLINDER, SNOW TANK, FISHER	2	10133 - 10183, 10185 -
	2X-2514L	Y	SEAL KIT, CYLINDER, FISHER	1	10133 - 10183, 10185,
	2Y-53630	N	CYLINDER, SNOW TANK, SHUR-LIFT	2	10184
	2Y-5363K	N	SEAL KIT, CYLINDER, SHUR-LIFT	1	10184
10	2P-06500	N	HYDRAULIC DOUBLE PUMP, CAP RLF	1	10133 - 10977 10979 - 11239
	2P-06600	N	HYDRAULIC DOUBLE PUMP, CARTRIDGE RLF	1	10978, 11240 -
	2P0650A	N	SEAL, SHAFT, D SERIES PUMP	1	10113 -
11	2P-05860	Y	HYDROSTATIC PUMP	1	10133 -
12	2M-06020	Y	HYDROSTATIC MOTOR	1	10133 -
13	2V-44596	Y	MANIFOLD, CHECK VALVE W/FITTINGS	1	10133 -
14	3R-07000	Y	FILTER ASSY. HYDRAULIC SYSTEM, CHARGE LOOP	1	10133 -
15	7A-15890	Y	MANIFOLD, OIL TANK RETURN	1	10133 -
16	2V-9035A	Y	MANIFOLD, BOARD BRUSH	1	10133 -
17	PM-1692B	Y	HOSE, 1/4 X 168.0, 06MP X 04MP	1	10133 -
18	PM-1705B	Y	HOSE, 1/4 X 174.0, 06MP X 04MP	1	10133 -
19	PM-3540B	Y	HOSE, 3/8 X 135.0, 06MP X 06MP	1	10133 -
20	PM-4116B	Y	HOSE, 1/2 X 29.0, 08MP X 08MP	2	10133 -
21	F1-75080	Y	FITTING, 45° ELBOW, 10MB X 08FS	2	10133 -
22	PM-6092B	Y	HOSE, 3/4 X 23.0, 12MP X 12MP	1	10133 -
23	F1-75085	Y	FITTING, 45° ELBOW, 12MB X 12FS	1	10133 -
24	PM-6080B	Y	HOSE, 3/4 X 20.0, 12MP X 12MP	1	10133 -
25	F1-69120	Y	FITTING, 90° ELBOW, 12MB X 12FS	1	10133 -
26	F2-70130	N	FITTING, 90° ELBOW, 12FP X 12FS	1	10133 -
27	PC-4073B	Y	HOSE, HI-PRESS., 1 X 18.0, 12TN X 12F745	1	10133 -
28	PC-4086B	Y	HOSE, HI-PRESS., 1 X 21.5, 12TN X 12F745	1	10133 -
29	F1-69100	Y	FITTING, 90° ELBOW, 10MB X 12FS	1	10133 -
30	F1-62360	Y	FITTING, STRAIGHT, 16MB X 12MJ	2	10133 -
31	F1-67390	Y	FITTING, 90° ELBOW, 12MB X 12MJ	2	10133 -
32	P6-1200B	Y	HOSE, LO-PRESS., 3/8 X 50.0, 06MP X 06MP	2	10133 -
33	F2-69090	Y	FITTING, 90° ELBOW, 08MP X 06FS	4	10133 -
34	F2-81030	Y	FITTING, TEE, 06FS X 06FS X 06FS	2	10133 -
35	PM-1152B	N	HOSE, 1/4 X 38.0, 06MP X 06MP	2	10133 -
37	P6-1506A	Y	HOSE, LO-PRESS., 3/8 X 122.0, 06MP X 06MP	1	10133 -
38	PM-1454A	Y	HOSE, 1/4 X 109.0, 06MP X 06MP	1	10133 -
39	PM-6456B	Y	HOSE, 3/4 X 114.0, 12MP X 12MP	1	10133 -

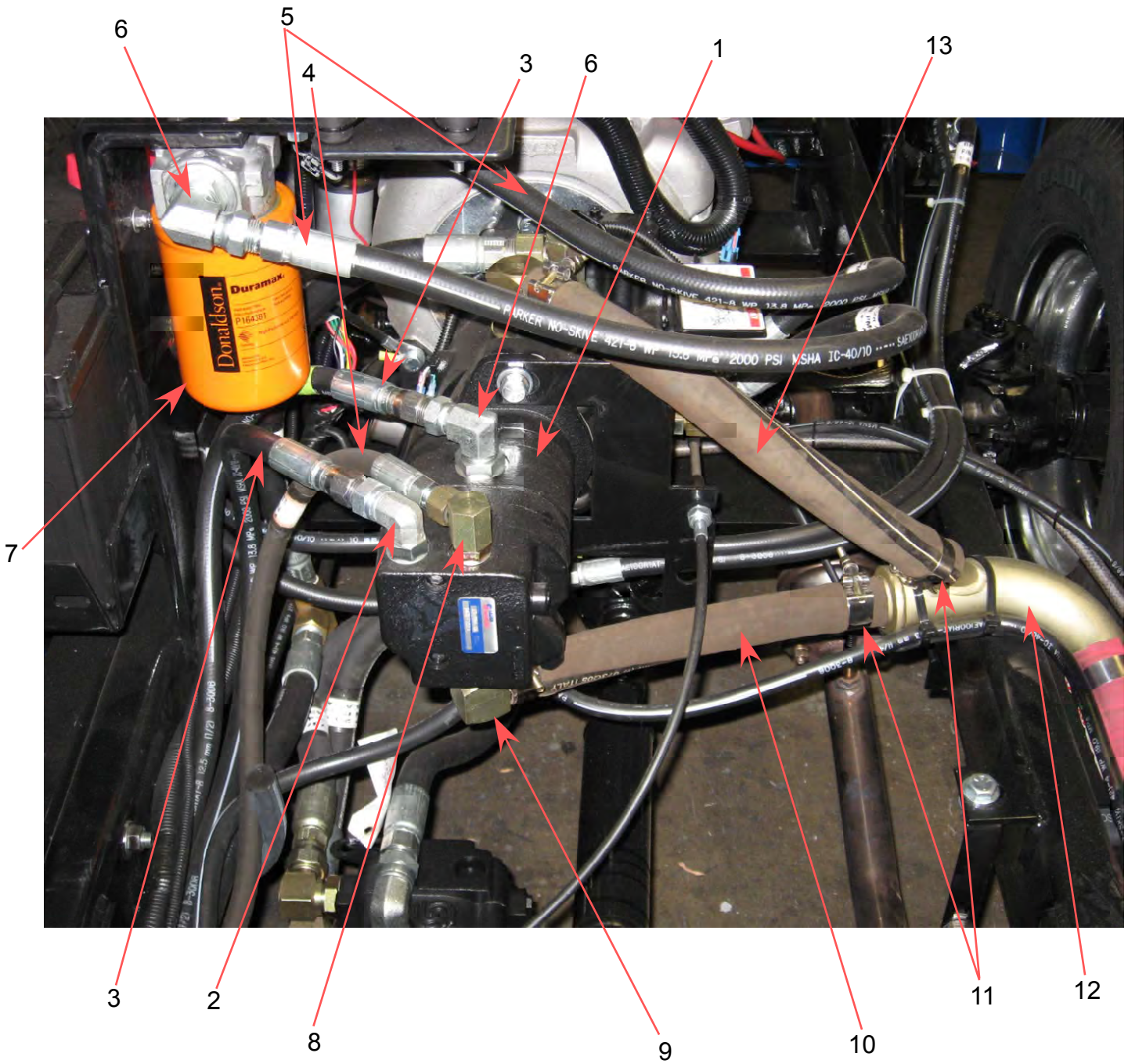
**GROUP 7.2 - HYDRAULIC SYSTEM**

IND	PART NO	COMMON to 500	DESCRIPTION	QTY	SERIAL NO
40	PM-4084C	Y	HOSE, 1/2 X 21.0, 08MB X 08MB90	1	10133 -
41	PM-3252B	Y	HOSE, 3/8 X 63.0, 06MP X 06MP	1	10133 -
42	PM-4500A	Y	HOSE, 1/2 X 125.0, 08MB X 08MP	2	10133 -
43	PM-3164C	Y	HOSE, 3/8 X 41.0, 06MP X 06FJTN	1	10133 -
44	PM-3436D	Y	HOSE, 3/8 X 112.0, 06MP X 06MP	1	10133 -
45	F1-69015	N	FITTING, 90° ELBOW, 04MB X 06FS	2	10133 - 10134
	F1-69030	N	FITTING, 90° ELBOW, 06MB X 06FS	2	10135 -
45A	F2-81130	N	FITTING, TEE, 06FS X 06FS X 06MP	1	10133 -
46	PM-3260B	N	HOSE, 3/8 X 65.0, 06MP X 06MP	1	10133 -
46A	PM-3120C	N	HOSE, 3/8 X 30.9, 06MP X 06MP	1	10133 -
47	PM-4260B	Y	HOSE, 1/2 X 65.0, 08MB X 08MP	3	10133 -
48	PM-4260B	N	HOSE, 1/2 X 65.0, 08MB X 08MP	1	10133 -
49	F1-69110	N	FITTING, 90° ELBOW, 12MB X 08FS	1	10133 - 10134
	F1-69090	N	FITTING, 90° ELBOW, 10MB X 08FS	1	10135 -
49A	F1-69110	N	FITTING, 90° ELBOW, 12MB X 08FS	1	10133 - 10134
	F1-69090	N	FITTING, 90° ELBOW, 10MB X 08FS	1	10135 -
50	PM-1144D	Y	HOSE, 1/4 X 36.0, 06MP X 06MP	2	10133 -
51	PM-3132C	Y	HOSE, 3/8 X 33.0, 08MB X 08MB	1	10133 -
52	PM-3092F	Y	HOSE, 3/8 X 23.0, 08MB X 08MB	1	10133 -
53	PM-4132C	Y	HOSE, 1/2 X 33.0, 08MB X 08MB90	1	10133 -
54	PM-3156C	Y	HOSE, 3/8 X 39.0, 08MB X 08MB	1	10133 -
55	F1-69110	Y	FITTING, 90° ELBOW, 12MB X 08FS	2	10133 - 10134
	F1-69090	N	FITTING, 90° ELBOW, 10MB X 08FS	2	10135 -
56	PM-1072C	Y	HOSE, 1/4 X 18.0, 04MP X 06MP	1	10133 -
57	PM-1104A	Y	HOSE, 1/4 X 26.0, 06MP X 06MP90	1	10133 -
58	PM-3136E	Y	HOSE, 3/8 X 34.0, 08MB X 08MB	1	10133 -
59	PX-3071A	N	HOSE, 1 X 17.5, SUCTION	1	10133 -
60	FW-11300	Y	FITTING, 90° ELBOW, 1 INCH HOSE X 16MB	1	10133 -
61	23-05525	N	MANIFOLD, HYDRAULIC OIL SUPPLY	1	10133 -
62	27-2204K	Y	CLAMP, T-BOLT, 2 INCH HOSE	1	10133 -
63	27-2202A	Y	CLAMP, T-BOLT, 1 INCH HOSE	4	10133 -
64	PX-3048A	N	HOSE, 1 X 12, SUCTION	1	10133 -
65	PX-6328A	N	HOSE, 2 X 82, SUCTION	1	10133 -

\* KZ-72380 HYDRAULIC MOTOR CASE DRAIN KIT CONTAINS ITEMS (2) 45 (ELBOWS), 45A (TEE), 46 (VA HOSE), 46A (HA HOSE)



**GROUP 7.3 - HYDRAULIC ACCESSORY PUMP**

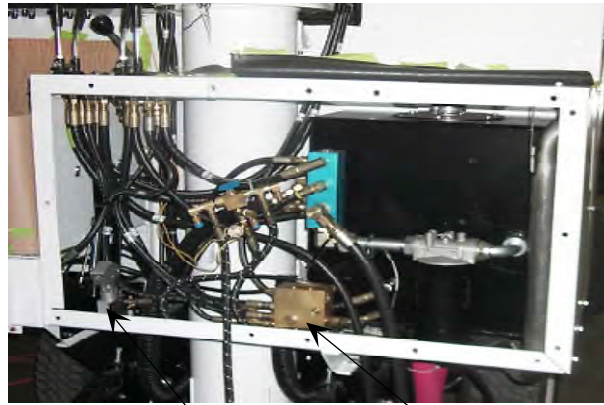


**GROUP 7.3 - HYDRAULIC ACCESSORY PUMP**

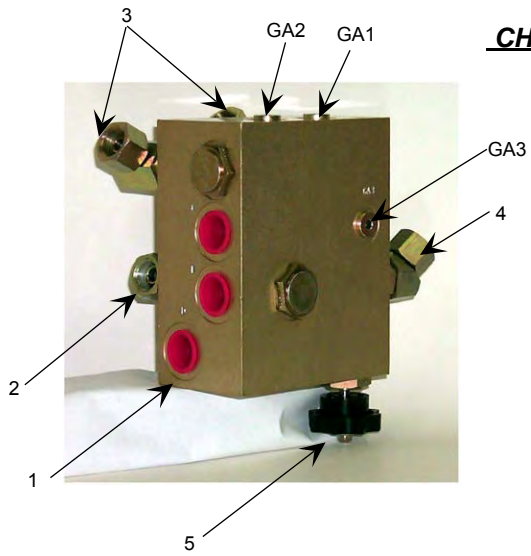
IND	PART NO	COMMON to 500	DESCRIPTION	QTY	SERIAL NO
1	2P-06500	N	PUMP, HYD., DOUBLE	1	10133 -
	2P-0650A	N	SHAFT SEAL, PUMP, D-SERIES	1	10133 -
	HA-14014	Y	SCREW, HEX HEAD, ½ -13 X 1½	2	10133 -
	HA-14862	Y	WASHER, LOCK, ½	2	10133 -
2	F1-69090	Y	FITTING, 90° ELBOW, 12MB X 08FS	1	10133 -
3	PM-4500A	Y	HOSE, ½ X 125.0, 08MB X 08MP	2	10133 -
4	PM-3164C	Y	HOSE, 3/8 X 41.0, 06MP X 06FJTN	1	10133 -
5	PM-4116B	Y	HOSE, ½ X 29, 8MP X 8MP	2	10133 -
6	F1-69110	Y	FITTING, 90° ELBOW, 12MB X 08FS	2	10133 -
7	3R-07000	Y	FILTER ASSEMBLY, MANIFOLD & ELEMENT	1	10133 -
	3R-07001	Y	FILTER ELEMENT	1	10133 -
	3R-07002	Y	FILTER INDICATOR	1	10133 -
	3R-07003	Y	FILTER HEAD	1	10133 -
8	F1-69050	Y	FITTING, 90° ELBOW, 08MB X 06FS	1	10133 -
9	FW-11300	Y	FITTING, 90° ELBOW, 16MB X 16HB	1	10133 -
10	PX-3048A	N	HOSE, 1 X 12, SUCTION	1	10133 -
11	27-2202A	Y	CLAMP, T-BOLT, 1 INCH HOSE	2	10133 -
12	23-05525	N	MANIFOLD, HYDRAULIC OIL SUPPLY	1	10133 -
13	PX-3071A	Y	HOSE, 1 X 17.75, SUCTION	1	10133 -



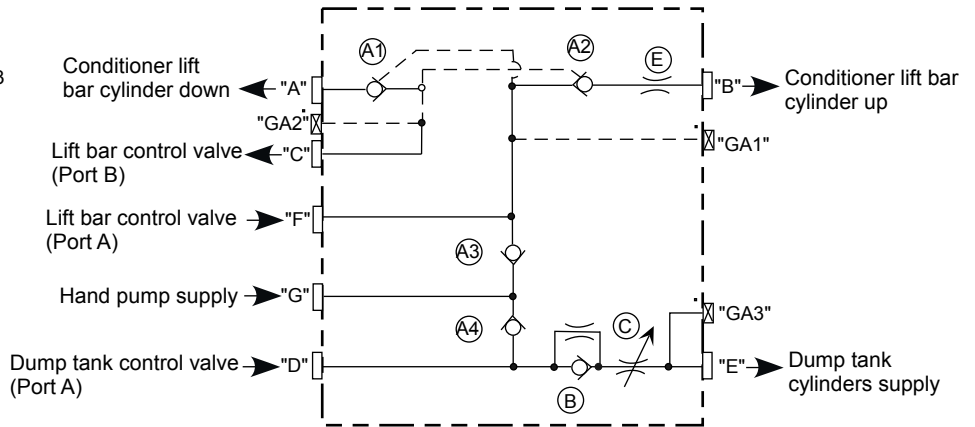
**GROUP 7.4 - CHECK VALVE MANIFOLD & HAND PUMP**



Hand Pump      Check Valve Manifold



**CHECK VALVE MANIFOLD**



**Hydraulic Schematic**

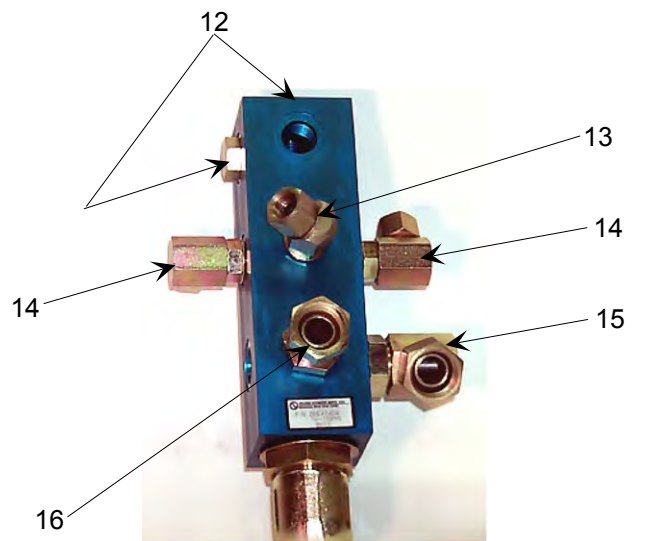
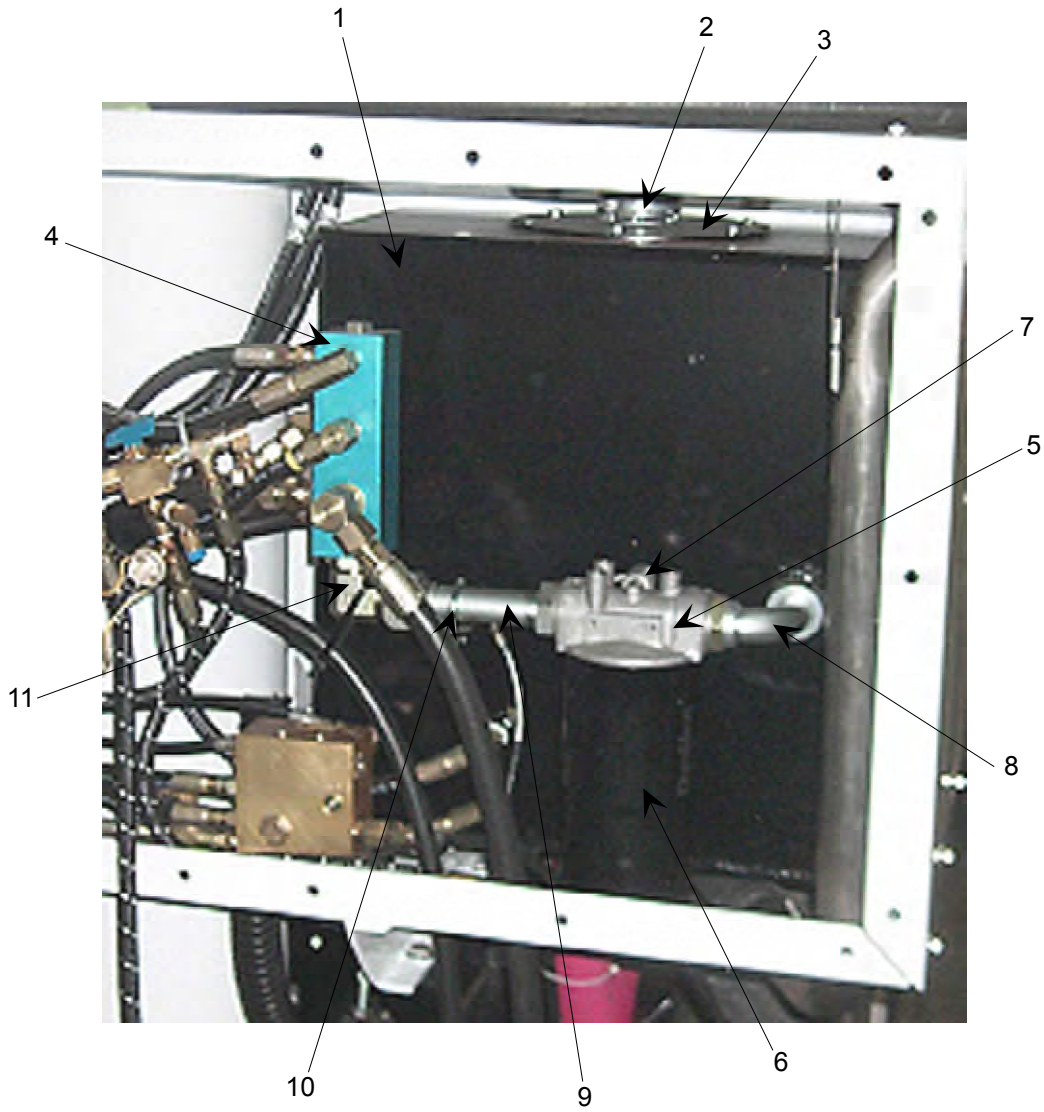
**HYDRAULIC HAND PUMP**



**GROUP 7.4 - CHECK VALVE MANIFOLD & HYDRAULIC HAND PUMP**

IND	PART NO	COMMON to 500	DESCRIPTION	QTY	SERIAL NO
<b><u>CHECK VALVE MANIFOLD</u></b>					
1	2V-44596	Y	CHECK VALVE MANIFOLD ASSY. W/ FITTINGS	1	10133 -
	2V-44620	N	CHECK VALVE MANIFOLD ONLY (FP)	1	10133 -
A1-A4	2V-44591	Y	CARTRIDGE VALVE, CHECK VALVE MANIFOLD	4	10133 -
B	2V-44592	Y	RESTRICTOR CHECK VALVE, CHECK VALVE MANIFOLD	1	10133 -
C	2V-44597	Y	ADJUSTING NEEDLE, CHECK VALVE MANIFOLD	1	10133 -
E	2V-44598	Y	ORIFICE PLUG, CHECK VALVE MANIFOLD	1	10133 -
2	F1-69030	Y	FITTING, 90° ELBOW, 06MB X 06FS	1	10133 -
3	F1-69050	Y	FITTING, 90° ELBOW, 08MB X 06FS	2	10133 -
4	F1-75040	Y	FITTING, 45° ELBOW, 08MB X 06FS	1	10133 -
5	4B-30000	N	KNOB, NEEDLE VALVE	1	10133 -
<b><u>HYDRAULIC HAND PUMP</u></b>					
1	2P-20000	N	HAND PUMP W/RELIEF VALVE, W/OUT HANDLE	1	10133 -
	2P-20001	N	SERVICE KIT FOR POWER PACKER PUMP	1	10133 -
2	2P-2000H	N	HANDLE, HAND PUMP, MONARCH	1	10133 -
3	F1-69010	N	FITTING, 90° ELBOW, SHORT, 04FS X 04MB	1	10133 -
4	F1-64510	N	FITTING, STRAIGHT, 04FP X 04MB	1	10133 -
5	HA-06116	N	SCREW,SKT HD CAP, 1/4-20 X 2	2	10133 -
	HA-06862	N	LOCKWASHER,1/4,SPLIT LOCK	2	10133 -
	HA-06980	N	NUT,HEX,1/4-20,GRD 5	2	10133 -

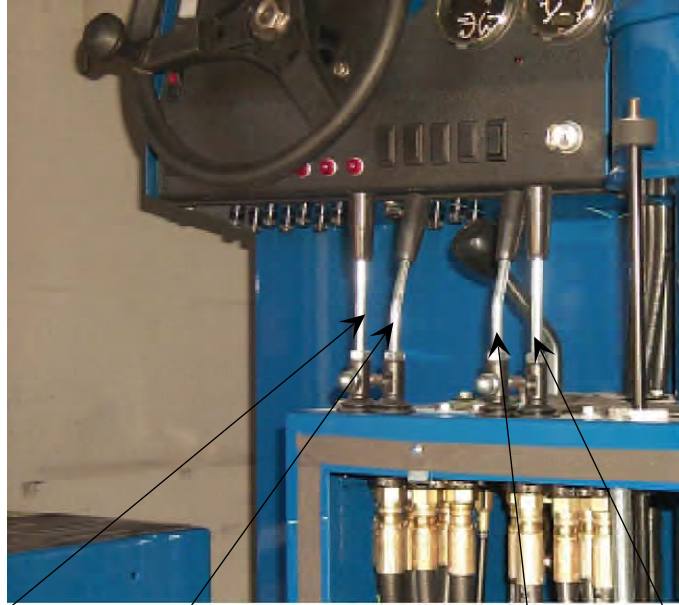
**GROUP 7.5 - HYDRAULIC OIL TANK**



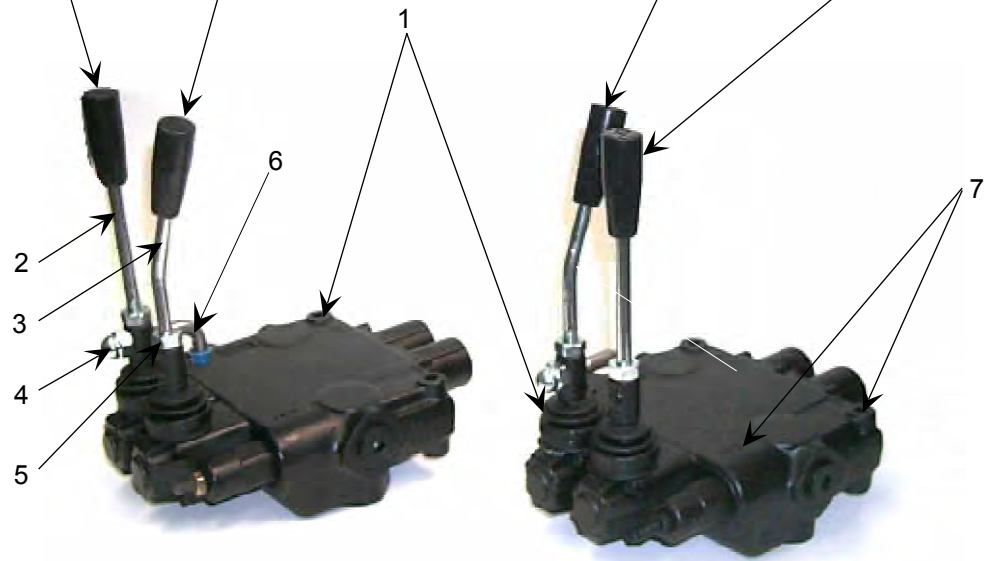
**GROUP 7.5 - HYDRAULIC OIL TANK**

IND	PART NO	COMMON to 500	DESCRIPTION	QTY	SERIAL NO
1	7A-15806	Y	TANK, HYDRAULIC OIL	1	10133 -
	HA-10013	Y	SCREW, HEX HD, 3/8-16 X 1¼	3	10133 -
	HA-10860	Y	FLAT WASHER, 3/8	3	10133 -
	HA-10981	Y	LOCKNUT, HEX, 3/8-16	3	10133 -
N/S	7K-15740	Y	SIGHT GAUGE, OIL LEVEL	1	10133 -
2	7D-50010	Y	FILLER, BREATHER	1	10133 -
3	7A-15809	Y	PLATE, LID	1	10133 -
	2D-15800	Y	GASKET, LID PLATE	1	10133 -
	HA-06009	Y	SCREW, HEX HD, ¼-20 X 3/4	6	10133 -
N/S	FD-18220	Y	PLUG, 3/4, BOTTOM	1,2	10133 -
4	7A-15890	Y	MANIFOLD, HYDRAULIC OIL RETURN	1	10133 -
	3R-06510	Y	HYDRAULIC FILTER ASSEMBLY	1	10133 -
5	3R-06511	Y	FILTER HEAD (C/WITH ANTI-DRAIN CHECK VALVE)	1	10133 -
6	3R-06521	Y	FILTER ELEMENT	1	10133 -
7	3R-06523	Y	PRESSURE SWITCH	1	10133 -
8	F1-71220	Y	FITTING, 90° ELBOW, SPECIAL	1	10133 -
9	F1-71210	Y	FITTING, NIPPLE ADAPTOR, 20MB X 20FJ	1	10133 -
10	1K-0535B	Y	U-BOLT, 2 3/16, NO PLATE	1	10133 -
11	F1-67500	Y	FITTING, 90° ELBOW, 20MB X 20FJ	1	10133 -
12	F1-18040	Y	FITTING, PLUG, 08MB	3	10133 -
13	F1-75040	Y	FITTING, 45° ELBOW, 08MB X 06FS	1	10133 -
14	F1-69050	Y	FITTING, 90° ELBOW, 08MB X 06FS	3	10133 -
15	F1-69120	Y	FITTING, 90° ELBOW, 12MB X 12FS	1	10133 -
16	F1-64400	Y	FITTING, STRAIGHT, 12MB X 12FS	1	10133 -
N/S = NOT SHOWN (INSIDE TANK)					
N/S	FD-0136A	Y	NIPPLE, CLOSE, 1½	1	10133 -
N/S	3R-50055	Y	DIFFUSER	1	10133 -
N/S	FD-13360	Y	COUPLING, 1½	1	10133 -
	FD-0136M	Y	NIPPLE, 1½ X 3	1	10133 -
N/S	3R-50060	Y	STRAINER	1	10133 -
N/S	FD-04360	Y	STREET EL, 1½ X 90	1	10133 -

**GROUP 7.6 - HYDRAULIC CONTROL VALVES**

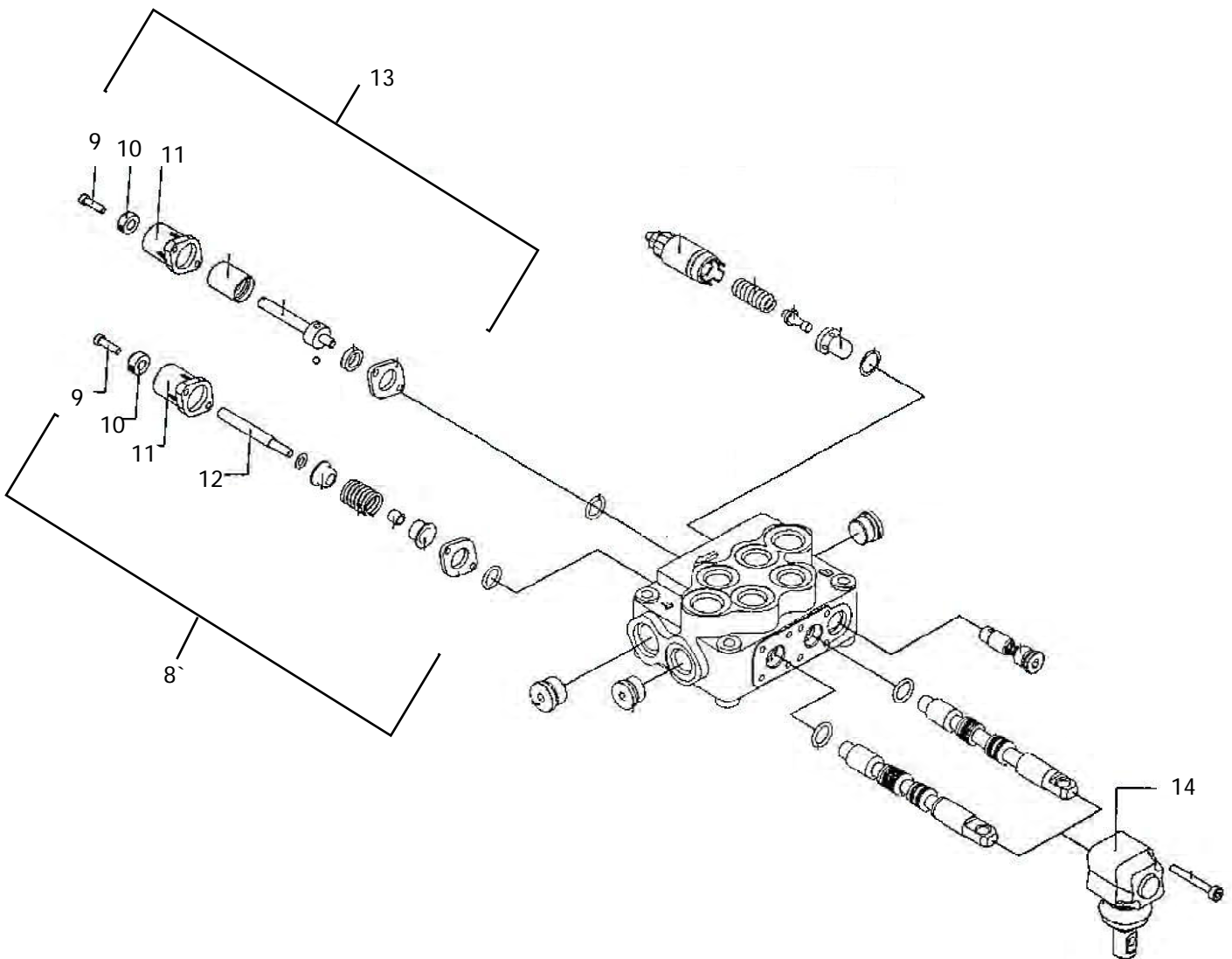


Vertical Conveyor Hydraulic Motor  
Conditioner Lift Hydraulic Cylinder  
Conditioner Hydraulic Motor  
Dump Tank Hydraulic Cylinder

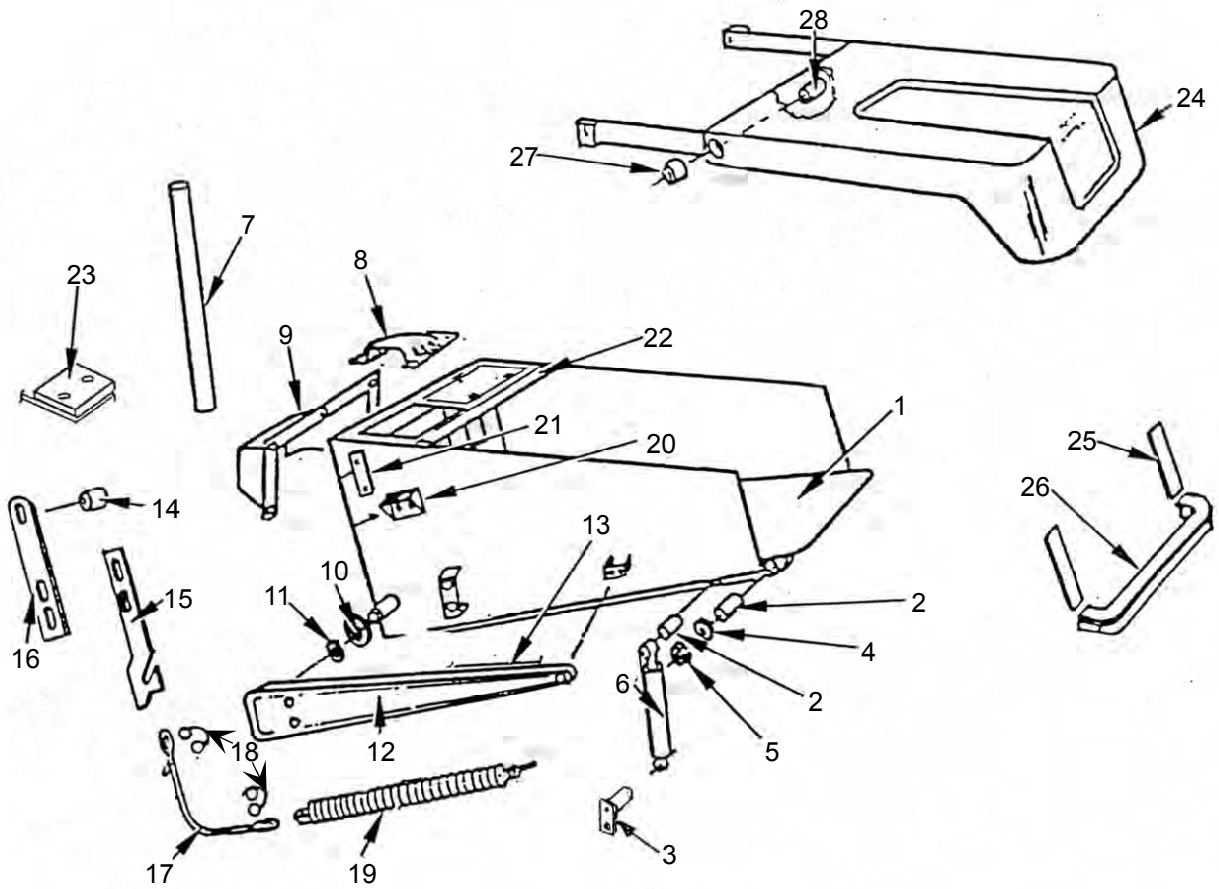


**GROUP 7.6 - HYDRAULIC CONTROL VALVES**

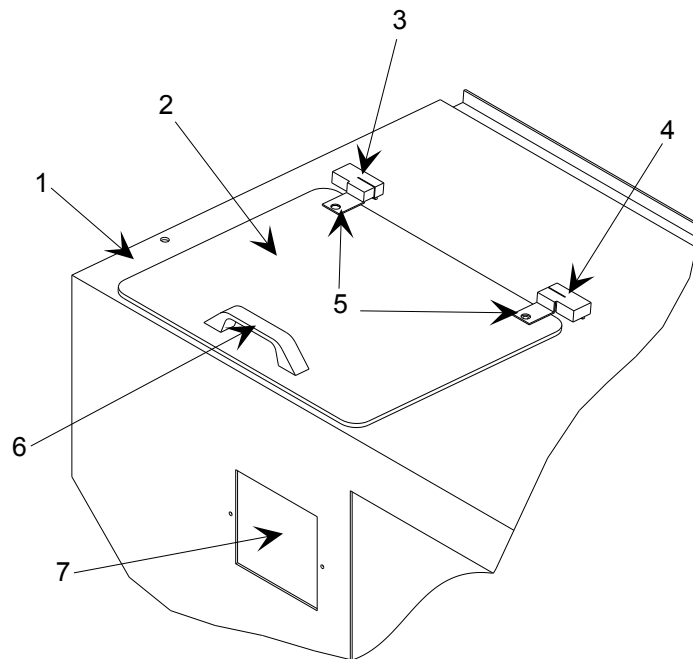
IND	PART NO	COMMON to 500	DESCRIPTION	QTY	SERIAL NO
1	2V-75060	Y	VALVE, HYDRAULIC CONTROL	2	10133 -
	2V-75065	Y	KIT, SEAL-HYDRAULIC CONTROL VALVES	2	10133 -
2	2V-75070	Y	HANDLE, STRAIGHT, CONTROL VALVE	2	10133 -
3	2V-75080	Y	HANDLE, BENT, CONTROL VALVE	2	10133 -
4	HM-17985	Y	NUT, ACORN	2	10133 -
5	HM-17982	Y	NUT, JAM	4	10133 -
6	46-05195	Y	BRACKET, TRAVEL STOP	2	10133 -
7	HA-08018	Y	SCREW, HEX HEAD, 5/16-18 X 2-1/2	6	10133 -
	HA-08860	Y	WASHER, FLAT, 5/16	6	10133 -
	HA-08981	Y	LOCKNUT, 5/16-18	6	10133 -
8	2V-75096	Y	END CAP ASSY, SPRING TO CENTER W/ ROD	1	10133 -
9	2V-75067	Y	END CAP SCREWS	2	10133 -
10	2V-75091	Y	COLLAR, MICROSWITCH ACTIVATOR	2	10133 -
11	2V-75094	Y	END CAP W/ HOLE	2	10133 -
12	2V-75095	Y	SWITCH ROD	1	10133 -
13	2V-75090	Y	END CAP ASSY, DETENT W/ ROD	1	10133 -
14	2V-75068	Y	HANDLE LINK CAP ASSY	1	10133 -
N/S	2V-75066	Y	END CAP, NO HOLE	1	10133 -



**GROUP 8.1 - SNOW TANK**



**SNOW TANK WINDOW DETAIL**





**GROUP 8.1 - SNOW TANK**

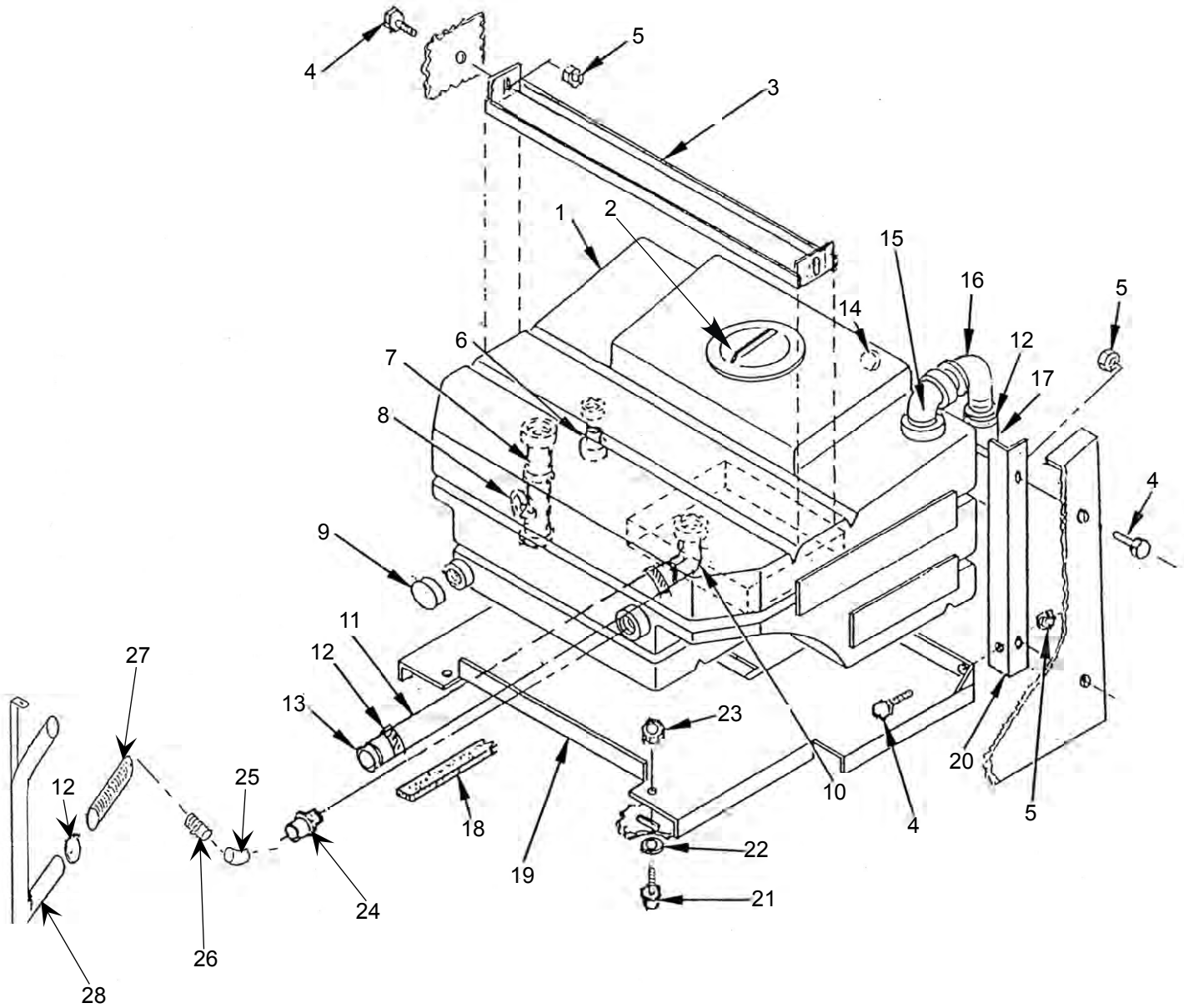
IND	PART NO	COMMON to 500	DESCRIPTION	QTY	SERIAL NO
1	7A-15500	Y	WELDMENT ASSY., SNOW TANK	1	10133 -
2	16-70581	Y	PIN, PIVOT	4	10133 -
3	5T-70575	Y	BRACKET, CAPTURED PIN	2	10133 -
	HA-08009	Y	SCREW, HEX HEAD, 5/16-18 X 3/4	2	10133 -
	HA-08980	Y	NUT, HEX, 5/16-18	2	10133 -
	1Z-01580	Y	FITTING, GREASE, 1/8 NPT	2	10133 -
4	N/A	Y	N/A	N/A	N/A
5	HA-7064A	Y	E-RING, EXTERNAL, 1" SHAFT	10	10133 -
6	2X-2514A	Y	CYLINDER, SNOW TANK, FISHER	2	10133 - 10183, 10185 -
	2X-2514L	Y	SEAL KIT, CYLINDER, FISHER	1	10133 - 10183, 10185 -
	2Y-53630	N	CYLINDER, SNOW TANK, SHUR-LIFT	2	10184
	2Y-5363K	N	SEAL KIT, CYLINDER, SHUR-LIFT	1	10184
7	49-38590	Y	SAFETY STAND	1	10133 -
8	7D-73420	Y	VENT, SNOW TANK	1	10133 -
	HA-06011	Y	SCREW, HEX HEAD, 1/4-20 X 1	6	10133 -
	HA-06981	Y	NUT, LOCK, HEX, 1/4-20	6	10133 -
9	49-18380	Y	SNOW SHIELD, CLEAR PLASTIC	1	10133 -
	49-18370	Y	SNOW SHIELD, METAL (ONLY W/O PLASTIC WW TANK)	1	10133 -
10	41-42000	Y	PULLEY, LID LIFT	2	10133 -
11	HA-14860	Y	FLAT WASHER, 1/2	2	10133 -
	HA-10862	Y	FLAT WASHER, 3/8	2	10133 -
	HA-08009	Y	SCREW, HEX HS, 5/16-18 X 3/4	2	10133 -
	HA-08862	Y	LOCKWASHER, 5/16, SPLIT	2	10133 -
12	49-17680	Y	GUARD, SNOW TANK LID SPRING	2	10133 -
	HD-08984	Y	NUT, INSERT, 5/16-18	6	10133 -
	HA-08511	Y	SCREW, TRUSS HEAD, 5/16-18 X 1	6	10133 -
	HD-08862	Y	WASHER, FLAT, NYLON	6	10133 -
13	2H-0520A	Y	EDGE LINER, CAPPLUG	2	10133 -
14	10-19070	Y	BUSHING	2	10133 -
	HA-14016	Y	SCREW, HEX HEAD, 1/2-13 X 2	2	10133 -
	HA-14986	Y	NUT, HEX, 1/2-13	2	10133 -
15	4F-15870	Y	LID HOOK, LID LIFT ARM	2	10133 -
16	4F-15880	Y	LINK, LID LIFT ARM	4	10133 -
	HA-10014	Y	SCREW, HEX HEAD, 3/8-16 X 1 1/2	4	10133 -
	HA-10981	Y	NUT, NY-LOCK, 3/8-16	4	10133 -
17	33-40330	Y	CABLE, LID LIFT	2	10133 -
18	27-03210	Y	CLAMP, WIRE ROPE	4	10133 -
19	1L-38730	Y	SPRING, LID LIFT	2	10133 -
	HA-10980	Y	NUT, HEX, 3/8-16	2	10133 -
	HC-10215	Y	EYEBOLT & NUT, WIRE, 3/8 X 5	2	10133 -
20	5T-10010	Y	BRACKET, STOP ADJ.	2	10133 -
	HA-14213	Y	SCREW, CARRIAGE, 1/2-13 X 1 1/4	4	10133 -
	HA-14862	Y	WASHER, LOCK, 1/2	4	10133 -
	HA-14980	Y	NUT, HEX, 1/2-13	4	10133 -
21	7B-0520A	Y	WEAR STRIP	2	10133 -
	HA-06611	Y	SCREW, SKT, FLTHEAD, 1/4-20 X 1	4	10133 -
	HA-06981	Y	NUT, LOCK, HEX, 1/4-20	4	10133 -
22	2F-0013C	Y	KIT, REAR SEAL, SNOW TANK LID	1	10133 -
23	8P-12680	Y	PAD & WASHER ASSY.	2	10133 -
	7A-15318	Y	SHIM, SNOW TANK, BACK, 1/8" THK	2	10133 -
	7A-15317	Y	SHIM, SNOW TANK, BACK, 1/4" THK	2	10133 -
	HA-10011	Y	SCREW, HEX HEAD, 3/8-16 X 1	4	10133 -
	HA-10981	Y	NUT, NYLOCK, 3/8-16	4	10133 -



**GROUP 8.1 - SNOW TANK**

IND	PART NO	COMMON to 500	DESCRIPTION	QTY	SERIAL NO
24	7B-05860	Y	LID, SNOW TANK	1	10133 -
	7B-0521A	Y	WEAR PAD, PLASTIC	2	10133 -
	HA-06609	Y	SCREW, FLAT HEAD, 1/4-20 X 3/4	2	10133 -
	HA-06981	Y	NUT, LOCK, HEX, 1/4-20	2	10133 -
	7B-0522A	Y	BRACE ROD, RH	1	10133 -
	7B-0522B	Y	BRACE ROD, LH	1	10133 -
	HF-13980	Y	NUT, HEX HEAD, 7/16-20	4	10133 -
	HF-13981	Y	NUT, LOCK, HEX, 7/16-20	4	10133 -
N/S	KZ-0522A	Y	KIT, SNOW TANK LID ARM BRACE	1	10133 -
25	2F-00110	Y	SEAL, NEOPRENE	2	10133 -
26	2F-0010A	Y	SEAL, NEOPRENE	2	10133 -
27	10-2126A	Y	BUSHING	2	10133 -
	HD-1861M	Y	SCREW, HEX HEAD, 5/8-11 X 3/4. W/ZERK	2	10133 -
	HA-18860	Y	WASHER, FLAT, 5/8	4	10133 -
	HA-18986	Y	NUT, TRI-LOCK, 5/8-11	2	10133 -
28	13-3728A	Y	SPACER	2	10133 -
<b>SNOW TANK WINDOW DETAIL</b>					
1	7A-15500	Y	WELDMENT, SNOW TANK	1	10133 -
2	49-04401	Y	SNOW TANK WINDOW	1	10133 -
	2F-0012X	Y	SEAL, SNOW TANK WINDOW	5'	10133 -
	2H-0600A	Y	STRIP, MAGNETIC	1 1/2'	10133 -
	ZR-54402	Y	TAPE, GLOSS BLACK, 1" WIDE	6'	10133 -
3	47-15500	Y	HING, SNOW TANK WINDOW, LH	1	10133 -
4	47-15505	Y	HING, SNOW TANK WINDOW, RH	1	10133 -
	HA-04704	Y	SCREW, FILLISTER HEAD, #10-32 X 3/8	4	10133 -
	HA-04706	Y	SCREW, FILLISTER HEAD, #10-32 X 1/2	4	10133 -
	HA-03862	Y	WASHER, LOCK, #10	4	10133 -
	HA-03867	Y	WASHER, FLAT, #10	4	10133 -
5	49-04405	Y	BRACKET, HINGE MOUNTING	2	10133 -
	49-04406	Y	BRACKET, LIMITER	1	10133 -
6	4A-40520	Y	HANDLE, SNOW TANK WINDOW	1	10133 -
7	7A-15525	Y	COVER PLATE	1	10133 -
	HA-04706	Y	SCREW, FILLISTER HEAD, #10-32 X 1/2	2	10133 -
	HA-04981	Y	NUT, LOCK, HEX, #10-32	2	10133 -
	HA-03867	Y	WASHER, FLAT, #10	2	10133 -
N/S	KZ-0522A	Y	SNOW TANK LID ARM BRACE (INCLUDES ALL * ITEMS)	1	10133 -
	7B-0521A	Y	PLASTIC WEAR PAD*	2	10133 -
	HA-06609	Y	SCREW, FLAT HEAD, 1/4-20 X 3/4*	4	10133 -
	HA-06981	Y	NUT, LOCK, HEX, 1/4-20*	4	10133 -
	7B-0522A	Y	BRACE ROD, RH*	1	10133 -
	7B-0522B	Y	BRACE ROD, LH*	1	10133 -
	HA-13860	Y	WASHER, FLAT, SAE, 7/16	4	10133 -
	HA-13980	Y	NUT, HEX, 7/16-20*	4	10133 -
	HA-13981	Y	NUT, LOCK, HEX, 7/16-20*	4	10133 -

**GROUP 9.1 - ICE MAKING WATER TANK**

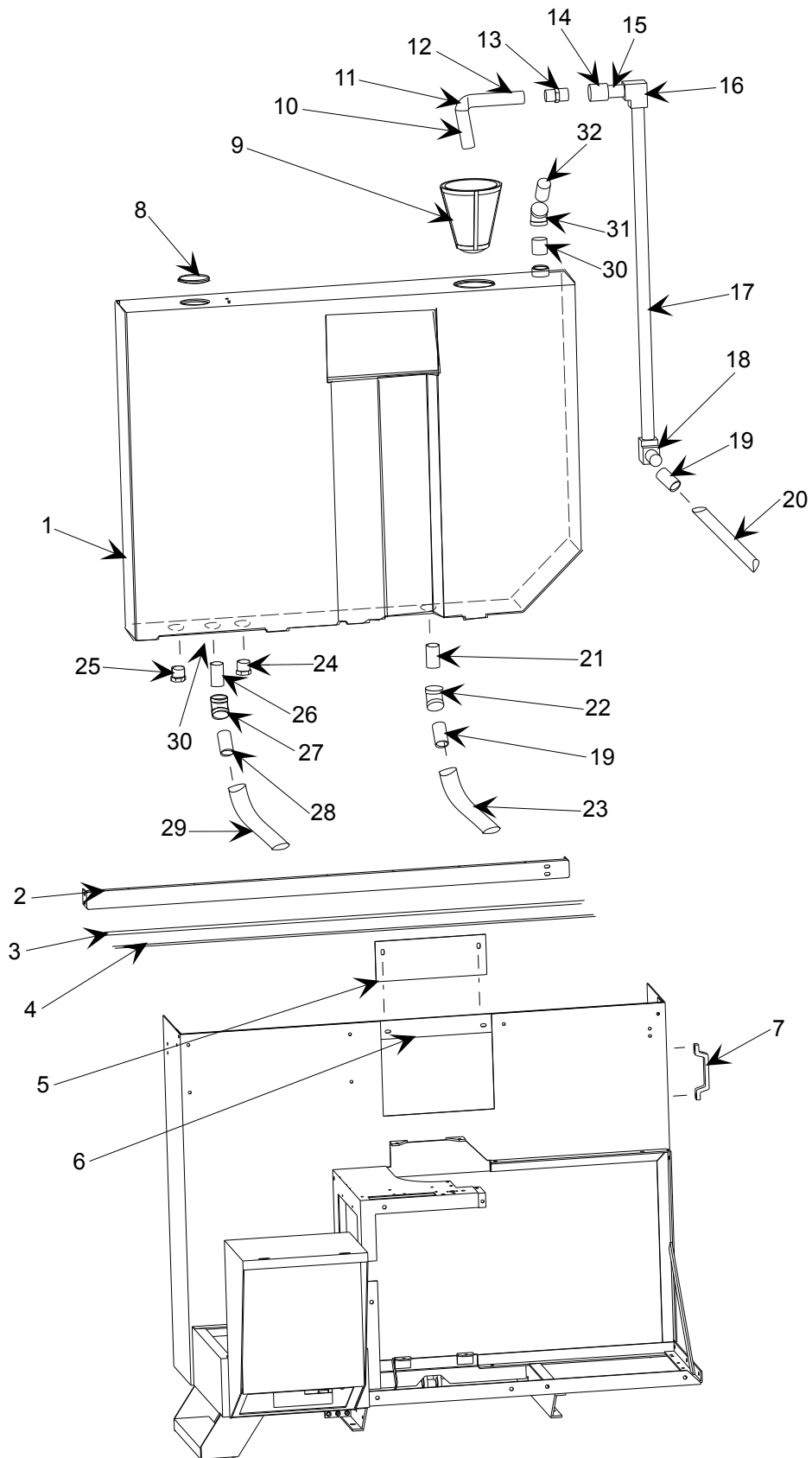


9.1-A

**GROUP 9.1 - ICE MAKING WATER TANK**

IND	PART NO	COMMON to 500	DESCRIPTION	QTY	SERIAL NO
1	7A-0530B	N	ICE MAKING WATER TANK, LINEAR	1	10133 -
2	7A-0520B	Y	COVER, ICE MAKING WATER TANK	1	10133 -
3	7A-05204	Y	CHANNEL, HOLD DOWN, PLASTIC TANK	1	10133 -
4	HF-08011	Y	SCREW, HEX HEAD, 5/16-18 X 1	8	10133 -
5	HA-08981	Y	NUT, HEX LOCK, 5/16-18	8	10133 -
6	FP-0800A	Y	PLUG, PLASTIC, 1/2 NPT	1	10133 -
7	FT-46048	Y	NIPPLE, PLASTIC, 2 X 3	1	10133 -
8	2V-33240	Y	VALVE, GATE, BRASS 2"	1	10133 -
9	FV-09162	Y	PLUG, PLASTIC, 1 1/2 NPT	1	10133 -
10	FF-04360	Y	STREET ELBOW, 1 1/2 X 90°	1	10133 -
	FD-15220	Y	REDUCING BUSHING, 1 1/2 X 1 1/4	1	10133 -
	FW-10080	Y	COMB. NIPPLE, 1 1/2 HOSE X 1 1/4 NPT	1	10133 -
11	RC-4146A	Y	HOSE, KANAFLEX, 1 1/2 X 62	1	10133 -
12	27-2036A	Y	CLAMP, HOSE, 2 3/4	5	10133 -
13	FW-10080	Y	FITTING, STRAIGHT, 20MP X 24HB	1	10133 -
14	FV-09164	Y	PLUG, PLASTIC, 2 NPT	1	10133 -
15	FP-32001	Y	FITTING, 90° STREET ELBOW, PLASTIC	1	10133 -
16	FP-3232A	Y	FITTING, 90° ELBOW, PLASTIC, 32MP X 32HB	1	10133 -
17	RC-43140	Y	HOSE, KANAFLEX, 2 X 35	1	10133 -
18	2F-00120	Y	SEAL, FOAM 1/4 X 3/4	8	10133 -
19	7A-00500	Y	TRAY, WATER TANK	1	10133 -
20	7A-05220	Y	SUPPORT, PLASTIC TANK SIDE PANEL	1	10133 -
21	HA-14013	Y	SCREW, HEX HEAD, 1/2-13 X 1 1/4	4	10133 -
22	HA-14860	Y	WASHER, FLAT, 1/2	4	10133 -
23	HA-14986	Y	NUT, HEX TRI-LOCK, 1/2-13	4	10133 -
24	FF-01412	Y	NIPPLE, GALV., 2 X 5	1	10133 -
25	FF-03400	Y	FITTING, 45° ELBOW, GALV., 2	1	10133 -
26	FW-10110	Y	NIPPLE, COMB., 32MP X 32HB	1	10133 -
27	RC-42058	Y	HOSE, KANAFLEX, 2 X 14.5	1	10133 -
28	7A-05207	Y	FILL TUBE, STAINLESS	1	10133 -
N/S	5T-16065	Y	BRACKET, WATER TANK TRAY, NO BOARD BRUSH	1	10133 -

**GROUP 9.2 - WASH WATER TANK (W/O WASH WATER TRANSFER SYSTEM)**

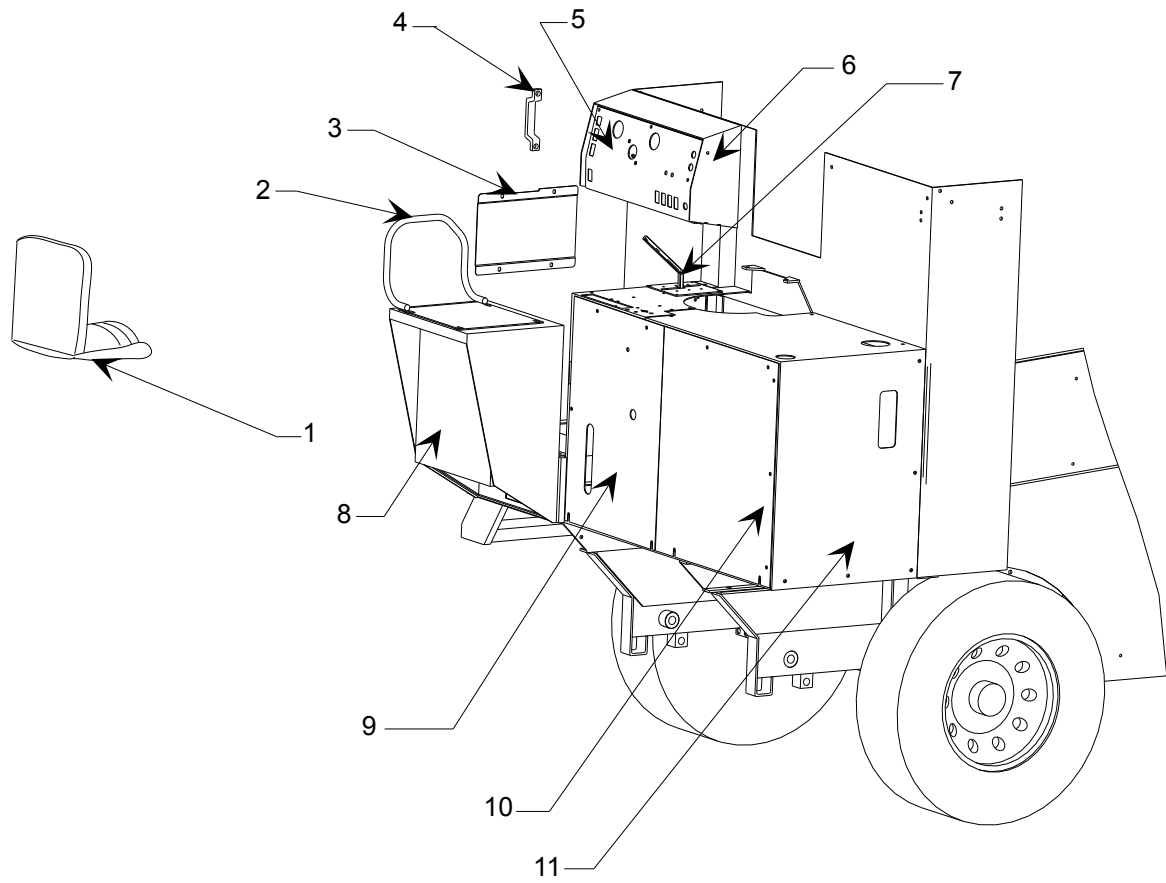


9.2-A

**GROUP 9.2 - WASH WATER TANK (W/O WASH WATER TRANSFER SYSTEM)**

IND	PART NO	COMMON		DESCRIPTION	QTY	SERIAL NO
			to 500			
1	7A-05355	Y		PLASTIC WASH WATER TANK	1	10133 -
2	7F-05051	Y		STIFFENER	1	10133 -
	HF-10509	Y		SCREW, SS, BUTTON HD, 3/8-16 X 3/4	4	10133 -
	HF-10982	Y		NUT, SS, THIN, 3/8-16	4	10133 -
	HF-10860	Y		WASHER, SS, FLAT, 3/8	4	10133 -
	HF-10862	Y		WASHER, SS, LOCK 3/8	4	10133 -
3	2F-00140	Y		SEAL	5'	10133 -
4	7F-05070	Y		BRACKET, SNOW TANK SEAL	1	10133 -
	HF-06009	Y		SCREW, SS, HEX HEAD, 1/4-20 X 3/4	7	10133 -
	HF-06860	Y		WASHER, SS, FLAT 1/4	7	10133 -
	HF-06862	Y		WASHER, SS, LOCK, 1/4	7	10133 -
5	7F-05203	Y		AUGER OPENING FILLER, PLASTIC WW TANK	1	10133 -
	2F-00145	Y		TRIM SEAL	1	10133 -
6	7F-05066	Y		STIFFENER, PLASTIC WASH WATER TANK, TOP	1	10133 -
7	4A-40510	Y		HANDLE	1	10133 -
	HF-06106	Y		SCREW, SS, SOCKET HEAD CAP, 1/4-20 X 1/2	2	10133 -
	HF-06981	Y		NUT, SS, LOCK, 1/4-20	2	10133 -
	HF-06862	Y		WASHER, SS, LOCK, 1/4	2	10133 -
	HF-06860	Y		WASHER, SS, FLAT, 1/4-20	2	10133 -
8	7A-05357	Y		COVER	1	10133 -
9	7C-04885	Y		BASKET, SCREEN	1	10133 - 11252
	7C-05400	N		FILTER BAG, 400 MICRON	1	11253 -
	49-04880	Y		SPLASH GUARD, BASKET	1	10133 - 11252
	23-07030	Y		PIPE, WASH WATER RETURN LINE (INCLUDES ALL * ITEMS)	1	10133 -
10	4T-0916C	Y		HOSE, CLEAR, 1/4 X 6	1	10133 -
11	FP-2020C	Y		FITTING, 90° ELBOW, PLASTIC, 1/4	1	10133 -
12	4T-0914C	Y		HOSE, CLEAR, 1/4 X 4	1	10133 -
13	FP-2020B	Y		FITTING, STRAIGHT, PLASTIC, 20MP X 20HB	1	10133 -
14*	FV-33560	Y		FITTING, PLASTIC, COUPLING, 20MP	1	10133 -
15*	FV-64016	Y		NIPPLE, PLASTIC, 1/4 X 2	1	10133 -
16*	FV-02561	Y		FITTING, PLASTIC, 90° ELBOW, 20FP X 1/4 SLIP	1	10133 -
17*	FV-64384	Y		PIPE, PLASTIC, 1/4 X 47 1/2	1	10133 -
18*	FV-02562	Y		FITTING, PLASTIC, 90° ELBOW, 20FP X 20FP	1	10133 -
19	FW-10080	Y		FITTING, STRAIGHT, 20MP X 24HB	2	10133 -
20	RC-4110A	Y		HOSE, KANAFLEX, 1 1/2 X 29	1	10133 -
21	FV-2605A	Y		NIPPLE, PLASTIC, 1/4 X 3	1	10133 -
22	FV-05060	Y		FITTING, 45° ELBOW, 20FP	1	10133 -
23	RC-4114A	Y		HOSE, KANAFLEX, 1 1/2 X 37 1/2	1	10133 -
24	FV-09162	Y		FITTING, PLASTIC PLUG, 1 1/2	1	10133 -
25	FV-09164	Y		FITTING, PLASTIC PLUG, 2	1	10133 -
26	FV-2700A	Y		NIPPLE, CLOSE, 1 1/2	1	10133 -
27	FV-05572	Y		FITTING, PLASTIC, 45° ELBOW, 1 1/2	1	10133 -
28	FP-2426B	Y		FITTING, PLASTIC, STRAIGHT, 24MP X 24HB	1	10133 -
29	4T-0312A	Y		HOSE, CLEAR, 1 1/2 X 24	2'	10133 -
30	FV-2806B	Y		NIPPLE, CLOSE, 2"	1	10133 -
31	FV-05082	Y		FITTING, 45° ELBOW, 2"	1	10133 -
32	FV-66028	Y		NIPPLE, TOE, 2" X 5"	1	10133 -
N/S	FV-2637C	Y		PIPE (INSIDE PLASTIC TANK)	1	10133 -
N/S	5T-05320	Y		BRACKET (INSIDE PLASTIC TANK)	1	10133 -
	HF-06509	Y		SCREW, SS, THRUSS HD, 1/4-20 X 3/4	2	10133 -
N/S	2F-19745	Y		SEAL, WASHWATER TANK	2	10133 -
	7F-05054	Y		BRACKET, SEAL	2	10133 -
	HD-06670	Y		CLIP, FLAT HEAD, PLASTIC, .250" DIA.	4	10133 -
	HF-06510	Y		NUT, HEX LOCK, SS, 1/4-20	4	10133 -
	HD-08862	Y		NYLON FLAT WASHER, 5/16" ID x .062 THICK	4	10133 -
	HF-06006	Y		SCREW, HEX HD, 1-4/20 X 1/2, SS	4	10133 -
N/S	5T-01030	N		SHIM, DOWN-PRESSURE, 1/2"	2	10133 -
	5T-01031	N		SHIM, DOWN-PRESSURE, 1/4"	2	10133 -

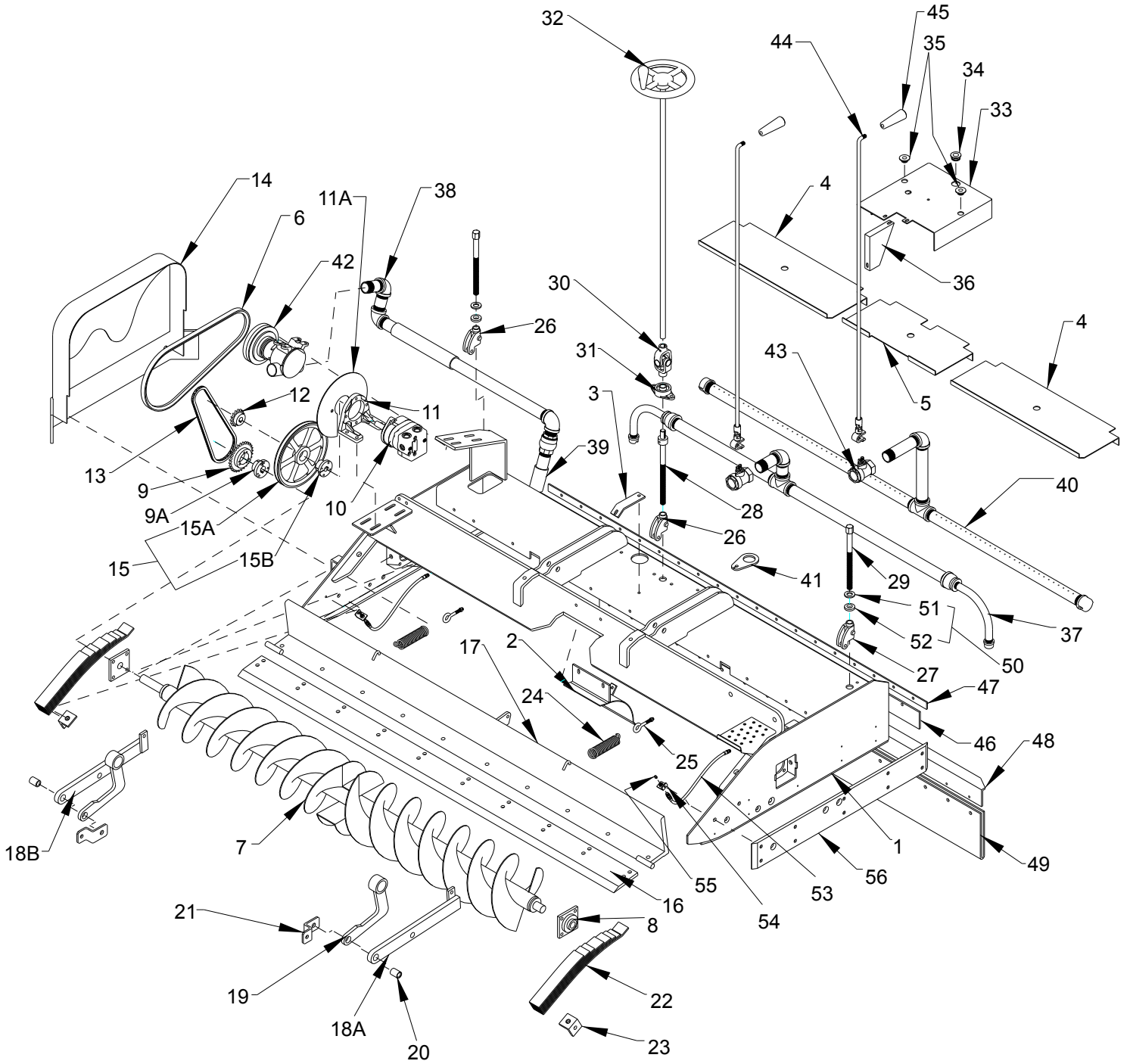
**GROUP 10.1 - OPERATOR PLATFORM**



**GROUP 10.1 - OPERATOR PLATFORM**

IND	PART NO	COMMON to 500	DESCRIPTION	QTY	SERIAL NO
1	7H-72900	Y	SEAT ASSEMBLY	1	10133 -
2	7H-1524C	Y	HAND RAIL	1	10133 -
	HF-08904	Y	LOCKNUT, NYLON INSERT, 5/16-18, SS	4	10133 -
	HF-08860	Y	WASHER, FLAT, 5/16, SS	4	10133 -
N/S	7H-0520A	Y	SEAT BELT, RETRACTABLE	1	10133 -
	HA-14011	Y	SCREW, HEX HEAD, 1/2-13 X 1	1	10133 -
	HA-14861	Y	WASHER, FLAT, SAE 1/2-13	1	10133 -
	HA-14986	Y	NUT, HEX, TRI-LOCK, 1/2-13	1	10133 -
3	7F-05026	Y	COVER, ACCESS PANEL	1	10133 -
	HA-06900	Y	NUT, SPEED "J" TYPE, 1/4-20	4	10133 -
	HF-06505	Y	SCREW, SS, 1/4-20 X 3/4	4	10133 -
	HF-06862	Y	LOCKWASHER, SS, 1/4	4	10133 -
	HF-06861	Y	FLAT WASHER, SS, 1/4 SAE	4	10133 -
	HD-13861	Y	FLAT WASHER, NYLON, 1/4	4	10133 -
4	4A-40510	Y	HANDLE	1	10133 -
5	46-05515	Y	DASH, HINGED	1	10133 -
	HA-72902	Y	SPEED NUT, 5/16-18	6	10133 -
	HA-08509	Y	SCREW, BUTTON HEAD, 5/16-18 X 3/4	6	10133 -
6	46-05540	Y	INSTRUMENT PANEL, HINGED FACE	1	10133 -
	HA-10011	Y	SCREW, HEX HEAD, 3/8-16 X 1	4	10133 -
	HA-10981	Y	NUT, HEX, NY-LOCK, 3/8-16	4	10133 -
	27-30010	Y	CLAMP, WIRE HARNESS	1	10133 -
	33-0010B	Y	CABLE, INSTRUMENT PANEL SUPPORT	1	10133 -
7	32-06525	N	ASSY., SINGLE HAND LEVER CONTROL	1	10133 -
8	7H-05222	Y	SUPPORT, OPERATORS SEAT, W/BRAKE	1	10133 -
9	46-15394	Y	REAR PANEL, LEFT	1	10133 -
	HA-08009	Y	SCREW, HEX HEAD, 5/16-18 X 3/4	4	10133 -
	HA-08862	Y	WASHER, LOCK, 5/16	5	10133 -
	HA-08860	Y	WASHER, FLAT, 5/16	5	10133 -
	HD-08862	Y	WASHER, PLASTIC, 5/16	5	10133 -
	HA-08900	Y	NUT, SPEED "J" TYPE, 5/16	5	10133 -
	HD-08007	Y	STUD, 5/16-18 X 1 3/4	1	10133 -
	HA-08990	Y	NUT, WING, 5/16-18	1	10133 -
10	46-15400	Y	REAR PANEL, RIGHT(GASOLINE ONLY)	1	10133 -
	HA-08009	Y	SCREW, HEX HEAD, 5/16-18 X 3/4	6	10133 -
	HA-08862	Y	LOCKWASHER, 5/16	7	10133 -
	HA-08860	Y	WASHER, FLAT, 5/16	7	10133 -
	HD-08862	Y	WASHER, PLASTIC, 5/16	7	10133 -
	HA-08900	Y	NUT, SPEED "J" TYPE, 5/16	7	10133 -
	HD-08007	Y	STUD, 5/16-18 X 1 3/4	1	10133 -
	HA-08990	Y	NUT, WING, 5/16-18	1	10133 -
11	46-15212	Y	REAR PANEL, TOP RIGHT	1	10133 -
	HA-08009	Y	SCREW, HEX HEAD, 5/16-18 X 3/4	7	10133 -
	HA-08862	Y	LOCKWASHER, 5/16	7	10133 -
	HA-08900	Y	NUT, SPEED "J" TYPE, 5/16	6	10133 -
	HD-08862	Y	WASHER, PLASTIC, 5/16	7	10133 -

**GROUP 11.1 - CONDITIONER**





**GROUP 11.1 - CONDITIONER**

IND	PART NO	COMMON to 500	DESCRIPTION	QTY	SERIAL NO
	5F-74500	Y	COND ASSY. (LESS MOTOR, PUMP, VALVES, BLADE)		10133 -
1	5H-75160	Y	FRAME WELDMENT, PRIMED	1	10133 -
2	49-39590	Y	SNOW SHIELD	1	10133 -
	HF-10013	Y	SCREW, S.S., HEX HEAD, 3/8-16 X 1¼	2	10133 -
	HF-10860	Y	WASHER, S.S., FLAT, 3/8	2	10133 -
	HF-10981	Y	NUT, S.S., HEX, NY-LOCK, 3/8-16	2	10133 -
3	5T-10210	Y	BRACKET, SNOW SHIELD	1	10133 -
	HF-10009	Y	SCREW, S.S., HEX HEAD, 3/8-16 x 3/4	1	10133 -
	HF-10862	Y	WASHER, S.S., LOCK, 3/8	1	10133 -
4	46-77492	Y	COVER, CONDITIONER, END, PERF	2	10133 -
5	46-39762	Y	COVER, CONDITIONER, CENTER, PERF	1	10133 -
6	42-75440	Y	BELT, WATER PUMP DRIVE 51"	1	10133 -
7	5A-38250	Y	CONVEYOR SCREW, HORIZONTAL	1	10133 -
8	1X-33490	Y	BALL BEARING, FLANGED	2	10133 -
	HF-12313	Y	SCREW, S.S., SOCKET FLAT HEAD, 7/16-14 X 1¼	4	10133 -
	HF-12013	Y	SCREW, S.S., HEX HEAD, 7/16-14 X 1¼	8	10133 -
	HF-12981	Y	NUT, S.S., HEX, LOCK, 7/16-14	8	10133 -
9	43-73370	N	SPROCKET, 35 TEETH	1	10133 -
9A	43-73380	Y	BUSHING, TAPER LOCK, 1 INCH BORE	1	10133 -
	15-02116	Y	KEY, ¼ SQUARE X 1½	1	10133 -
10	2M-75700	N	MOTOR, HYD, HORIZONTAL CONVEYOR (CASAPPA)	1	10133 - 10134
	2M-75800	N	MOTOR, HYD. HORIZONTAL CONVEYOR (PERMCO)	1	10135 -
	HF-10013	Y	SCREW, S.S., HEX HEAD, 3/8-16 X 1¼	2	10133 -
	2M-7570B	N	KIT, SEAL (CASAPPA)	1	10133 - 10134
	2M-7453K	N	KIT, SEAL (PERMCO)	1	10135 -
11	2M-53160	Y	BRACKET, MOTOR MOUNTING	1	10133 -
	HF-10013	Y	SCREW, HEX HEAD, 3/8-16 X 1¼	4	10133 -
	HF-10860	Y	WASHER, S.S., FLAT, 3/8	4	10133 -
	HF-10981	Y	NUT, S.S., HEX, LOCK, 3/8-16	4	10133 -
			(*JACK BOLTS, QTY (2) EA: HA-12719, HA-12980, HA-12862, HA-12860)		
11A	49-72099	N	GUARD, HORIZ AUGER DRIVE SPROCKET	1	10133 -
12	43-39290	Y	SPROCKET, 15 TEETH	1	10133 -
	15-01125	Y	KEY, 3/16 SQUARE X 2	1	10133 -
13	44-73480	N	CHAIN, CONVEYOR DRIVE, 75 PITCH (35 TOOTH)	1	10133 -
	44-4001C	Y	CONNECTING LINK, CHAIN	1	10133 -
	44-4001D	Y	HALF LINK, OFFSET	1	10133 -
14	49-72090	Y	GUARD, CONVEYOR CHAIN	1	10133 -
	HF-18313	Y	SCREW, S.S. SKT FLT HEAD, 5/8-11 X 1¼	2	10133 -
15	KZ-7717A	Y	KIT, SHEAVE & BUSHING W/INSTRUCTIONS	1	10133 -
15A	41-77240	Y	SHEAVE (ONLY)	1	10133 -
15B	41-77210	Y	BUSHING (ONLY)	1	10133 -
	HF-06113	Y	SCREW	2	10133 -
	HF-07813	Y	LOCK WASHER	2	10133 -
16	5K-33630	Y	BLADE, CONDITIONER	1	10133 -
	HF-14316	Y	SCREW, S.S. STEEL SKT FLAT HEAD, ½-13 X 2	10	10133 -
	HF-14862	Y	WASHER, S.S., LOCK, ½	10	10133 -
	HF-14980	Y	NUT, S.S., HEX, ½-13	10	10133 -
N/S	5K-0520A	Y	BLADE PROTECTOR, PLASTIC	1	10133 -

**GROUP 11.1 - CONDITIONER**

IND	PART NO	COMMON to 500	DESCRIPTION	QTY	SERIAL NO
17	5K-78890	Y	BAR, BLADE SUPPORT	1	10133 -
18	5F-33410	Y	ARM, BLADE FULCRUM, LEFT	1	10133 -
18	5F-33420	Y	ARM, BLADE FULCRUM, RIGHT	1	10133 -
19	5F-33455	Y	ARM, BLADE HAMMER, LEFT OR RIGHT	2	10133 -
20	13-22160	Y	SPACER, FULCRUM ARM	2	10133 -
	HF-18318	Y	SCREW, S.S., SOCKET FLAT HEAD, 5/8-11 X 2½	1	10133 -
	HF-18018	Y	SCREW, S.S., HEX HEAD, 5/8-11 X 2½	1	10133 -
	HF-18860	Y	WASHER, S.S., FLAT, 5/8	2	10133 -
	HA-18987	Y	NUT, THIN, TRI-LOCK, 5/8-11	2	10133 -
21	5T-10220	Y	BRACKET, HAMMER ARM SUPPORT	2	10133 -
	HF-14313	Y	SCREW, S.S., SOCKET FLAT HEAD, ½-13 X 1¼	1	10133 -
	HF-14013	Y	SCREW, S.S., HEX HEAD, ½-13 X 1¼	1	10133 -
	HA-14986	Y	NUT, HEX TRI-LOCK, ½-13	2	10133 -
22	1L-33481	Y	LEAF SPRING	2	10133 -
	HD-2251L	Y	SET-SCREW, SQUARE HEAD, 3/4-10 X 3	2	10133 -
23	5T-16100	Y	BRACKET, LEAF SPRING SUPPORT	2	10133 -
	HF-14313	Y	SCREW, S.S., SOCKET FLAT HEAD, ½-13 X 1¼	1	10133 -
	HF-14013	Y	SCREW, S.S., HEX HD, ½-13 X 1¼	1	10133 -
	HA-14986	Y	NUT, HEX TRI-LOCK, ½-13	2	10133 -
24	1L-33580	Y	EXTENSION SPRING	2	10133 -
25	HC-1011X	Y	EYE BOLT	2	10133 -
	HF-10980	Y	NUT, HEX, 3/8-16	2	10133 -
26	36-3393B	N	CLEVIS ASSY, BLADE ADJUSTING, RH & CENTER	2	10133 -
27	36-3393C	N	CLEVIS ASSY, BLADE ADJUSTING, LH	1	10133 -
	16-35000	N	CLEVIS PIN, 1/2-1-1/2	3	10133 -
28	5F-33510	Y	ADJUSTING SCREW, BLADE ANGLE	1	10133 -
29	5F-37340	Y	ADJUSTING SCREW, BLADE HEIGHT	2	10133 -
30	2B-33570	Y	UNIVERSAL JOINT, BLADE ADJUSTING	1	10133 -
	15-01100	Y	KEY, 3/16 SQUARE X 1	1	10133 -
	15-01016	Y	KEY, 3/16 SQUARE X ½	1	10133 -
31	1X-0440A	Y	BEARING, BLADE ADJUSTING HANDWHEEL	1	10133 -
	HF-10011	Y	SCREW, HEX HD, 3/8-16 X 1, SS	2	10133 -
	HF-10981	Y	NYLON NUT, HEX LOCK, 3/8-16, SS	2	10133 -
32	4C-1873A	Y	HANDWHEEL & ROD ASSY, BLADE ANGLE ADJUSTING	1	10133 -
33	38-16530	Y	GUIDE PANEL, CONDITIONER CONTROLS	1	10133 -
34	4X-0500B	Y	NYLON GROMMET, .80 I.D.	1	10133 -
	HA-7080A	Y	RETAINER, NYLON GROMMET	1	10133 -
35	4X-0500C	Y	NYLON GROMMET, .60 E.D.	2	10133 -
	HA-7056A	Y	RETAINER, NYLON GROMMET	2	10133 -
36	5T-40030	Y	BRACKET, ROD GUIDE BRACE	1	10133 -
	HF-08009	Y	SCREW, HEX HD, 5/16-18 X 3/4	1	10133 -
	HF-08981	Y	NUT, S.S., HEX, LOCK, 5/16-18	1	10133 -
	HF-08862	Y	WASHER, S.S., LOCK, 5/16	1	10133 -
	HF-08860	Y	WASHER, S.S., FLAT, 5/16	1	10133 -
37	5X-70690	Y	WASH WATER DISCHARGE ASSY	1	10133 -
38	KZ-72270	Y	WASH WATER SUCTION ASSY (INCL CHECK VALVE)	1	10133 -
	2V-10050	Y	CHECK VALVE	1	10133 -
	FF-0131A	Y	NIPPLE, 1¼, CLOSED	1	10133 -
	FW-43652	Y	NIPPLE, 1¼ X 3½	1	10133 -

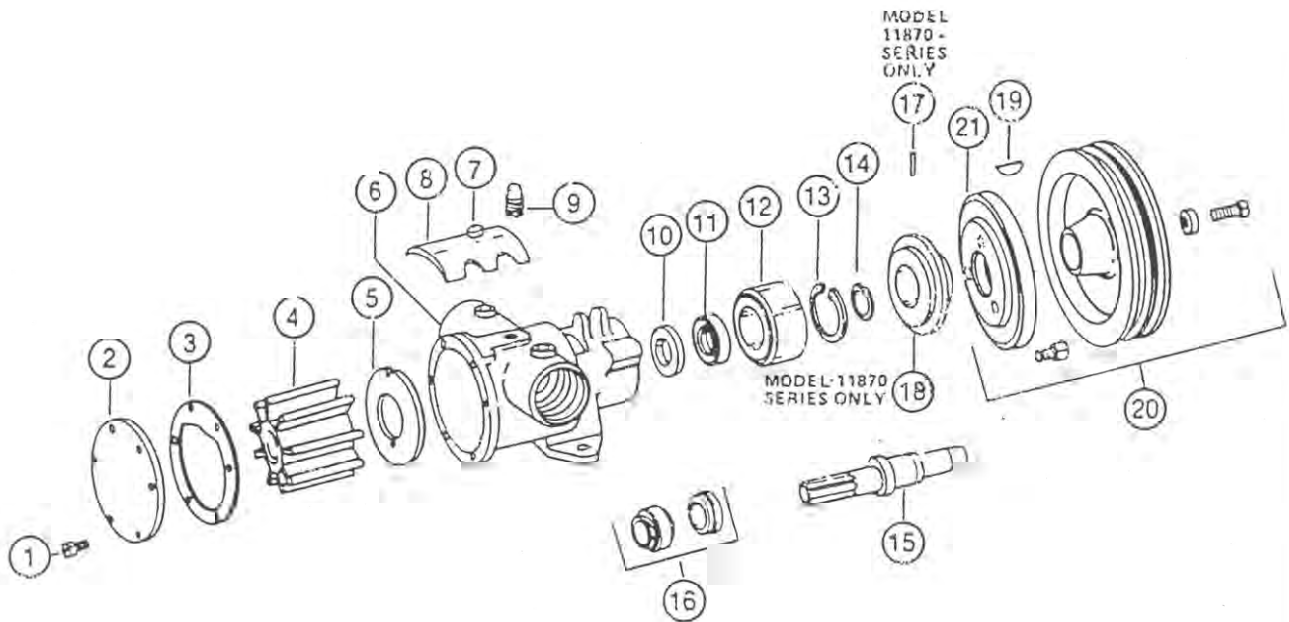
**GROUP 11.1 - CONDITIONER**

IND	PART NO	COMMON to 500	DESCRIPTION	QTY	SERIAL NO
39	RE-5012A	Y	HOSE, 1-5/8 X 3½	1	10133 -
	27-2028A	Y	CLAMP, 1-5/8 HOSE	1	10133 -
N/S	5T-10180	Y	SUPPORT BRACKET, SUCTION/DISCHARGE ASSY.	1	10133 -
	HA-10020	Y	SCREW, HEX HD, 3/8-16 X 3	1	10133 -
	HA-10981	Y	NUT, HEX, NY-LOCK, 3/8-16	1	10133 -
40	5X-70680	Y	ICE MAKING WATER DISCHARGE ASSY.	1	10133 -
	5X-0520A	Y	ICE MAKING WATER DISCHARGE ASSY, SS	1	10133 -
41	5T-10170	Y	BRACKET, DISCHARGE SUPPORT	1	10133 -
	HF-10009	Y	SCREW, S.S., HEX HEAD, 3/8-16 X 3/4	1	10133 -
	HF-10862	Y	WASHER, S.S., LOCK, 3/8	1	10133 -
42	2P-37570	Y	PUMP, WASH WATER	1	10133 -
	HF-10013	Y	SCREW, S.S., HEX HEAD, 3/8-16 X 1¼	4	10133 -
	HF-10860	Y	WASHER,S.S., FLAT, 3/8	8	10133 -
	HF-10981	Y	NUT, S.S., HEX, LOCK, 3/8-16	4	10133 -
	2P-33850	Y	IMPELLER, WATER PUMP	1	10133 -
	2A-6000H	Y	CLUTCH ASSY, WATER PUMP (INCLUDES COIL)	1	10133 -
	8F-37470	Y	COIL, WATER PUMP CLUTCH	1	10133 -
	84-37570	Y	IMPELLER PULLER	1	10133 -
43	2V-79701	Y	BALL VALVE, 1¼	2	10133 -
	KZ-79701	Y	KIT, VALVE STEM NUT	1	10133 -
	2F-79701	Y	SEAL KIT	1	10133 -
44	4E-16490	Y	ROD, ICE MAKING & WASH WATER CONTROL	2	10133 -
45	4B-31460	Y	HANDLE, CONTROL ROD	2	10133 -
46	5M-33550	Y	SQUEEGEE	1	10133 -
47	1M-33560	Y	STRAP, SQUEEGEE RETAINING	1	10133 -
	HF-10013	Y	SCREW, S.S., HEX HEAD, 3/8-16 X 1-1/4	19	10133 -
	HF-10981	Y	NUT, S.S., HEX, NYLOCK, 3/8-16	19	10133 -
N/S	4R-00300	Y	LOWER SUPPORT BRCKT PVC	2	10133 -
48	5R-33600	Y	BAR, WATER SPREADER SUPPORT	1	10133 -
49	5P-33620	Y	TOWEL, WATER SPREADER, WHITE	1	10133 -
ALT	5P-33630	N	TOWEL, WATER SPREADER, BLACK	1	10133 -
	HF-08311	Y	SCREW, S.S., SKT FLAT HEAD, 5/16-18 X 1	17	10133 -
ALT	HF-08309	N	SCREW, S.S. SKT FLAT HEAD, 5/16-18 X 3/4	17	10133 -
	HF-08981	Y	NUT, S.S., LOCK, 5/16-18	17	10133 -
50	5K-33640	Y	KIT, BEARING & WASHERS, BLADE ADJUSTING	2	10133 -
51	HF-22860	Y	WASHER, S.S., FLAT, 3/4	2	10133 -
52	1X-13500	Y	THRUST BEARING, BLADE ADJUSTING	2	10133 -
53	PL-0056B	Y	HOSE, REMOTE GREASING	2	10133 -
54	5T-30100	Y	BRACKET, REMOTE GREASING COUPLING	2	10133 -
55	1Z-01580	Y	FITTING, GREASE, REMOTE GREASING	2	10133 -
56	5H-0501A	Y	POLY-RUNNER, CONDITIONER	1	10133 -
	HF-06308	Y	SCREW, SS, SKT FLAT HD, 1/4-20 X 5/8	8	10133 -
	HF-06311	Y	SCREW, SS, SKT FLAT HD, 1/4-20 X 1	1	10133 -
	HF-06510	Y	NUT, SS, HEX LOCK, 1/4-20	1	10133 -
N/S	2H-08000	Y	TAPE, ANTI-SLIP, (FT.)	2.7'	10133 -
N/S	HA-12719	N	HYDRAULIC MOTOR JACK BOLT, 7/16-14, 2-3/4	2	10133 -
	HA-12980	N	NUT, 7/16-14	2	10133 -
	HA-12862	N	WASHER, SPLIT, 7/16	2	10133 -
	HA-12860	N	FLAT WASHER, USS, 7-16	2	10133 -

**GROUP 11.1 - CONDITIONER**

EXPLODED VIEW

**TO REMOVE PULLEY  
USE HF-18018, 5/8-11**



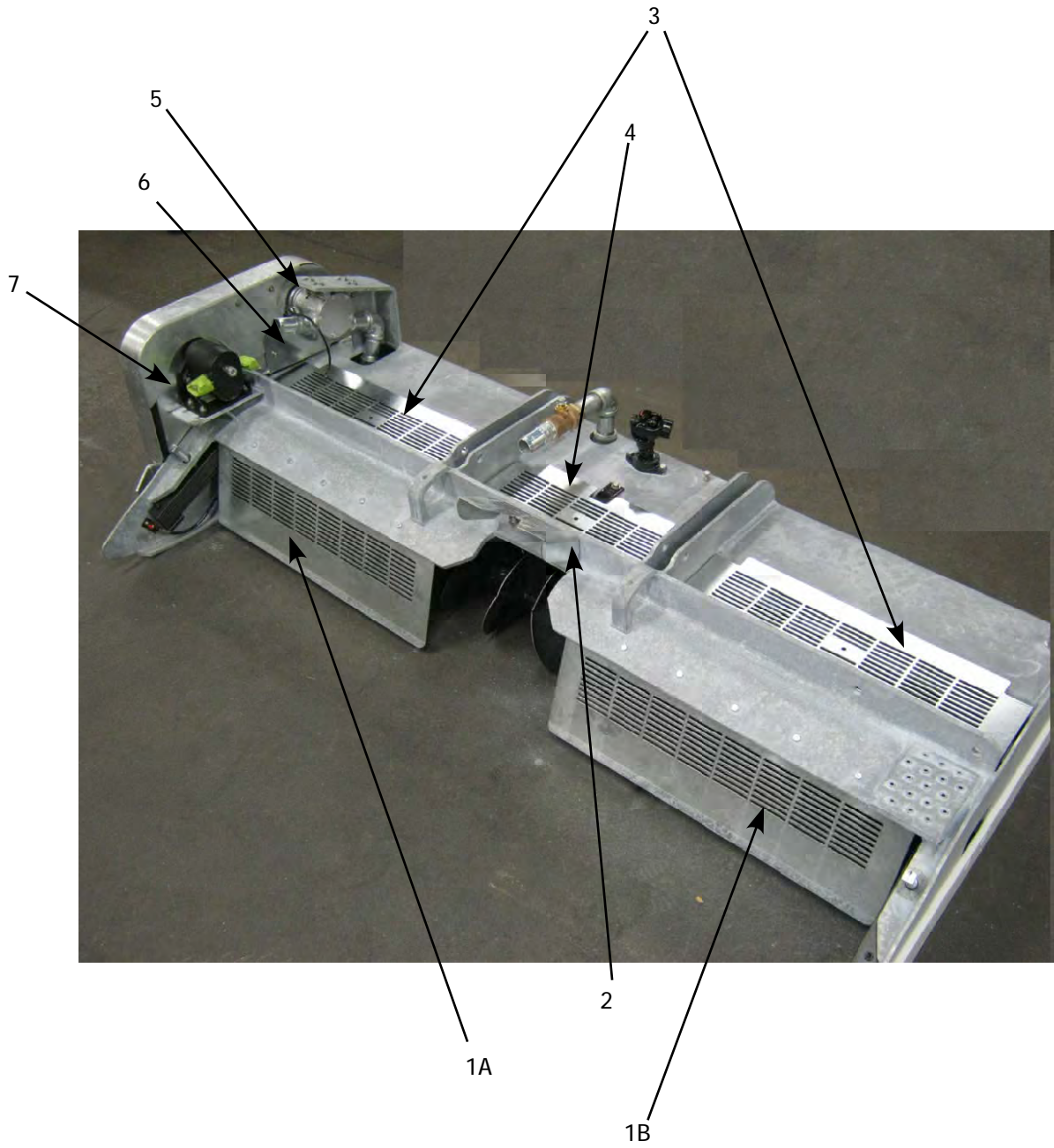
PARTS LIST FOR 2P-37570 OR 3874 WATER PUMP

KEY	DESCRIPTION	QUANTITY REQUIRED	PART NUMBER	KIT 3758	KIT 3759	KIT 3760
1	Screw (End Cover)	5	9366	◆	▼	
2	End Cover	1	9358	◆		
3	Gasket	1	816	◆		
4	Impeller	1	2P-33850 - Rubber 2P-33851 - Synthetic; 2P-33852 - Blue/Run dry			◆
5	Wear Plate	1	819	◆		
6	Body	1	2P-37575			
7	Screw (Cam)	1	HD-0640P			
8	Cam, Brass	1	9367	◆		
9	Pipe Plug	2	FL-18070			
10	Slinger	1	2P-3757A			
11	Seal (Bearing)	1	817		◆	
12	Ball Bearing (Pump)	1	9404		▼	
13	Retaining Ring (Bearing to Body)	1	HA-7152A			
14	Retaining Ring (Bearing to Shaft)	1	HA-7076A			
15	Shaft	1	19-07000		▼	
16	Seal (Shaft)	1	9359	◆	▼	◆
17	Roll Pin (Adaptor)	2	15-81230			
18	Adaptor	1	2P-37580			
19	Key (Clutch Drive)	1	15-70505		▼	
20	Clutch Assy, Complete 12V	1	2A-6000H			
21	Field Coil (Replacement)	1	8F-37470			
	Bearing, Clutch	1	1X-6000H			

◆ = Kit, General Water Pump Repair Z<sup>®</sup> Part No. 3758  
 ▼ = Kit, Water Pump Shaft Replacement Z<sup>®</sup> Part No. 3759  
 ◆ = Kit, Service Water Pump Z<sup>®</sup> Part No. 3760

**GROUP 11.1 - CONDITIONER**

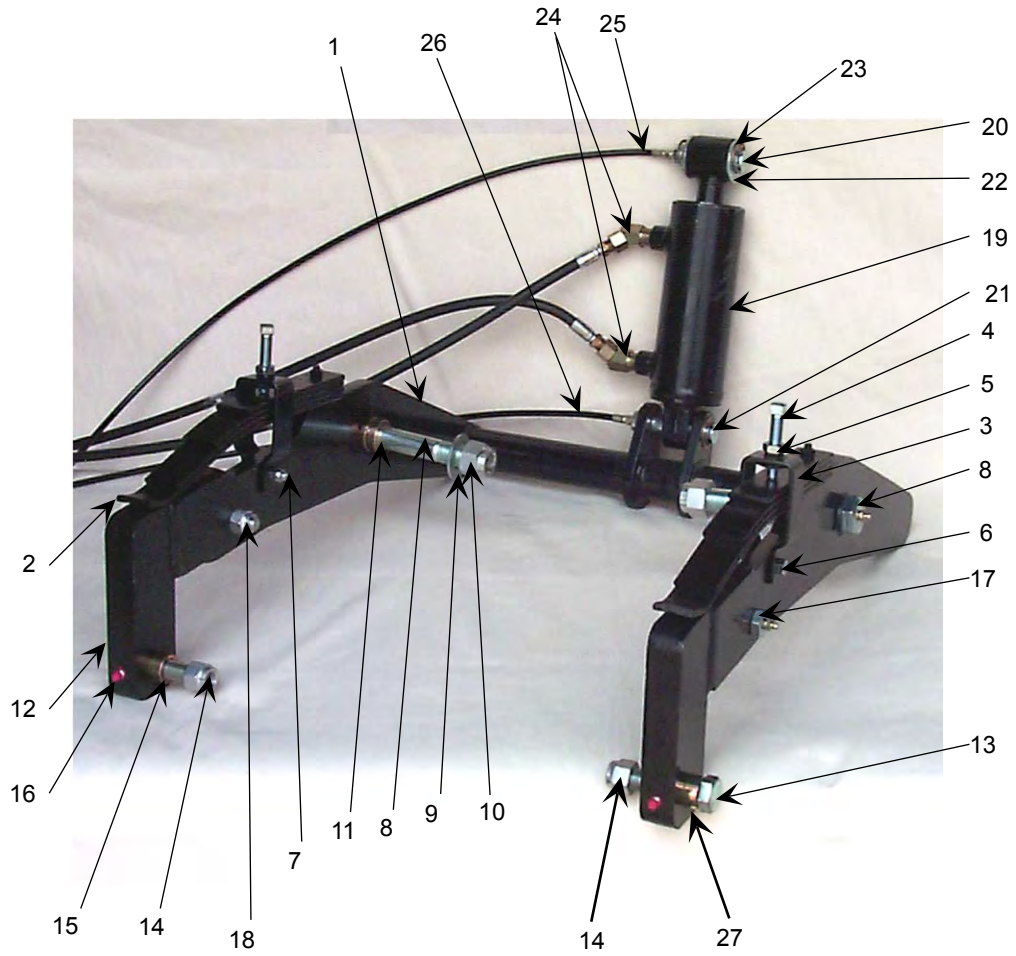
**CONDITIONER GUARDS**



**GROUP 11.1 - CONDITIONER**

IND	PART NO	COMMON to 500	DESCRIPTION	QTY	SERIAL NO
<b><u>CONDITIONER GUARDS</u></b>					
1A	46-77500		GUARD, HORIZ AUGER, FRONT RIGHT	1	10133 -
1B	46-77505		GUARD, HORIZ AUGER, FRONT LEFT	1	10133 -
	HF-08013		SCREW, HEX HEAD, 5/16-18 x 1-1/4" S.S.	10	10133 -
	HF-06860		WASHER, FLAT, 1/4, S.S.	10	10133 -
	HD-08862		NYLON FLAT WASHER, 5/16" ID x .062 THICK	10	10133 -
	HF-08860		WASHER, FLAT, 5/16", STAINLESS STEEL	10	10133 -
	HF-08904		LOCKNUT, NYLON INSERT 5/16-18,SS	10	10133 -
2	46-77510		GUARD, VERTICAL AUGER INLET	1	10133 -
	HF-10014		SCR, HEX HD, 3/8-16X1.5, GR 5, S.S.	2	10133 -
	HF-10860		WASHER, FLAT, 3/8, S.S.	2	10133 -
	HF-10981		NYLON NUT, HEX LOCK, 3/8-16, STAINLESS	2	10133 -
3	46-77492		COVER, OUTER, CONDITIONER	2	10133 -
4	46-39762		COVER, CENTER, CONDITIONER	1	10133 -
	HF-08512		SCREW, SS, PAN, PHILLIPS, 5/16-18 x 1.25	6	10133 -
	HF-08904		LOCKNUT, NYLON INSERT 5/16-18,SS	6	10133 -
5	49-72097		GUARD, WASHWATER PUMP	1	10133 -
	HF-06505		SCREW, SS, HX HD, 1/4-20X3/4	3	10133 -
	HF-06861		WASHER, FLAT, 1/4, SAE, S.S.	3	10133 -
	HD-13861		WASHER, FLAT, NYLON, 1/4"	3	10133 -
	HF-06860		WASHER, FLAT, 1/4, S.S.	3	10133 -
	HF-06510		NUT, HEX LOCK, SS, 1/4-20	3	10133 -
6	49-72098		SHIELD, WASHWATER PUMP	1	10133 -
	HF-06505		SCREW, SS, HX HD, 1/4-20X3/4	2	10133 -
	HF-06861		WASHER, FLAT, 1/4, SAE, S.S.	2	10133 -
	HF-06862		LOCKWASHER, 1/4, SPLIT LOCK, S.S.	2	10133 -
	HA-06900		SPEED NUT, "J" STYLE, 1/4-20 PLATED	2	10133 -
7	49-72099		GUARD, HORIZ AUGER DRIVE SPROCKET	1	10133 -
	HF-10982		JAM NUT, THIN PATT, HEX, 3/8-16, S.S.	2	10133 -

**GROUP 11.2 - CONDITIONER LIFT**

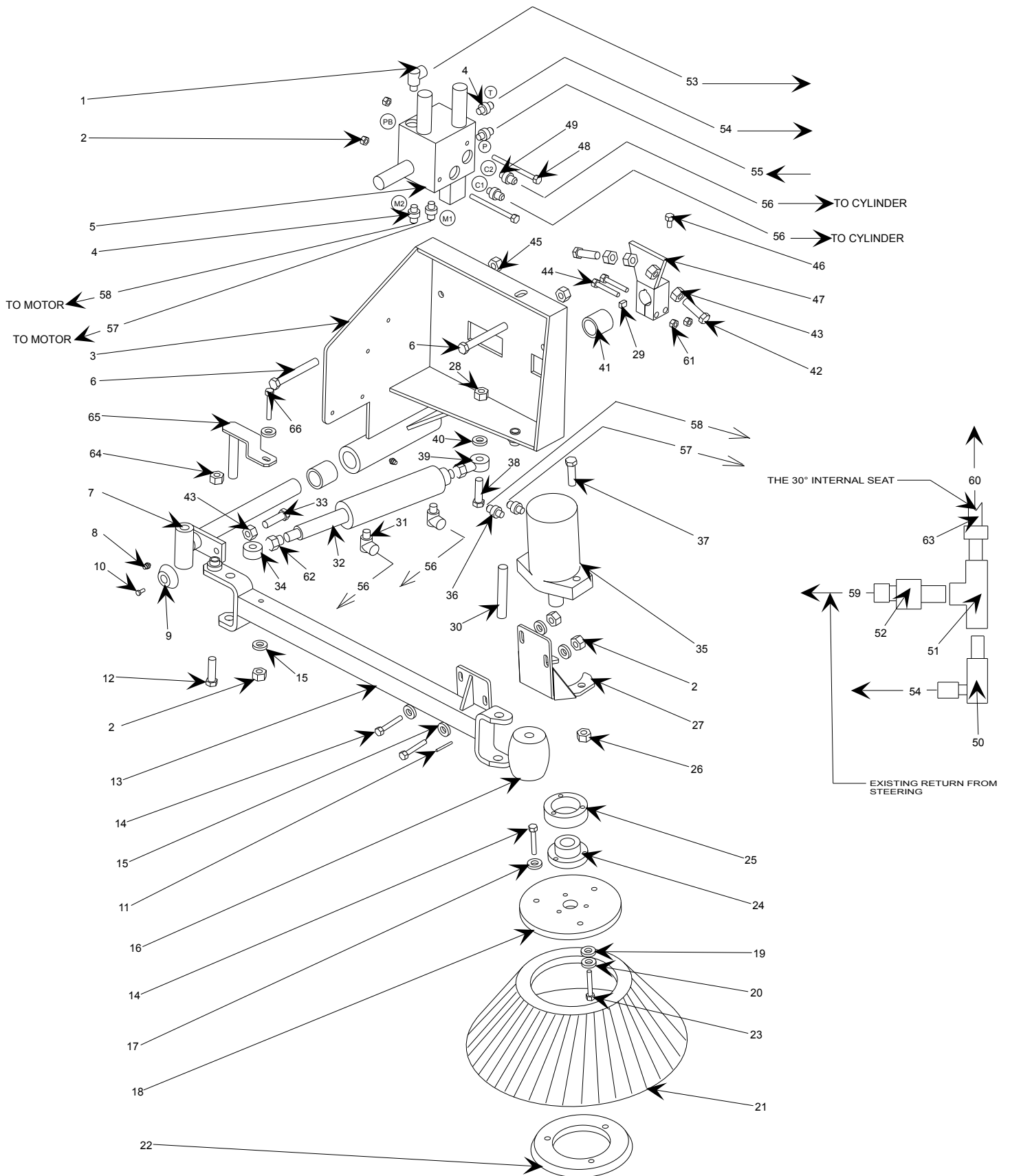


**GROUP 11.2 - CONDITIONER LIFT**

IND	PART NO	COMMON to 500	DESCRIPTION	QTY	SERIAL NO
	5J-7777A	Y	LIFT BAR ASSEMBLY	1	10133 -
1	5J-77770	Y	LIFT BAR	1	10133 -
2	1L-67540	Y	SPRING, LEAF, DOWN PRESSURE	2	10133 -
3	38-77770	Y	GUIDE, CONDITIONER LEAF SPRING	2	10133 -
4	HD-1451F	Y	SCREW, SET, ½-13 X 2½	2	10133 -
5	HA-14982	Y	NUT, HEX, ½-13	2	10133 -
6	HA-10015	Y	SCREW, HEX HEAD, 3/8-16 X 1 3/4	2	10133 -
7	HA-10981	Y	NUT, NY-LOCK, HEX HEAD, 3/8-16	2	10133 -
8	HD-3062D	Y	SCREW, W/ZERK, 1-8 X 6	2	10133 -
N/S	10-4828A	Y	TENSION BUSHING, 1-3/4 X 1½ X 3/4	2	10133 -
9	HA-30861	Y	WASHER, FLAT, 1	2	10133 -
10	HA-30986	Y	NUT, HEX FLEXLOCK, 1-8	2	10133 -
11	10-39610	Y	BUSHING, 1½ X 1 X 13/16	2	10133 -
12	5J-04020	Y	YOKE, LIFT ARM	2	10133 -
13	HA-22021	Y	SCREW, SHOULDER, 3/4-10 X 3¼	2	10133 -
14	HA-22986	Y	NUT, HEX FLEXLOCK, 3/4-10	2	10133 -
15	10-2424A	Y	BUSHING, YOKE TO LIFT BAR	2	10133 -
16	1Z-01580	Y	FITTING, GREASE, 1/8 NPT	2	10133 -
17	HD-1861F	Y	SCREW, W/ZERK, 5/8-11 X 2½	2	10133 -
18	HA-18986	Y	NUT, HEX FLEXLOCK, 5/8-11	2	10133 -
N/S	10-71300	Y	BUSHING (INSIDE HOLES ON LIFT BAR)	2	10133 -
19	2X-3005A	Y	CYLINDER, CONDITIONER DOWN PRESSURE	1	10133 -
	2X-3005L	Y	SEAL KIT, CYLINDER	1	10133 -
20	16-70560	Y	PIN, PIVOT	1	10133 -
21	16-70570	Y	PIN, PIVOT	1	10133 -
22	HA-30861	Y	WASHER, FLAT, 1	2	10133 -
23	HA-7064A	Y	E-RING, EXTERNAL, 1 INCH SHAFT	2	10133 -
24	F2-75080	Y	FITTING, 45° ELBOW, 06FS X 08MP	2	10133 -
25	PL-0120B	Y	HOSE, LUBRICATION, 1/8 X 38	1	10133 -
26	PL-0130B	Y	HOSE, LUBRICATION, 1/8 X 48	1	10133 -
27	10-3220A	Y	TENSION BUSHING, 1¼ X 1 X 3/4	2	10133 -
N/S	10-3220B	Y	TENSION BUSHING, 1¼ X 1 X ½	4	10133 -
			(2 PCS UPPER CYLINDER MOUNT ON WASH WATER TANK)		
	KZ-09099		BUSHING & BOLT KIT, LIFT BAR	1	10133 -
			INCLUDES ITEMS 8,9,10,11,13,14,15,17,18,23, 10-71300 & GREASE FITTING CAPS		



**GROUP 12.1 - BOARD BRUSH**



12.1-A

**GROUP 12.1 - BOARD BRUSH**

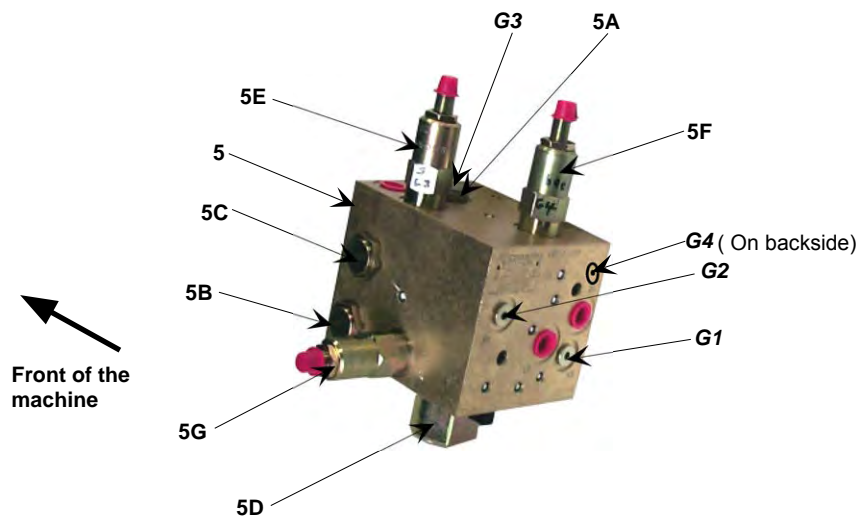
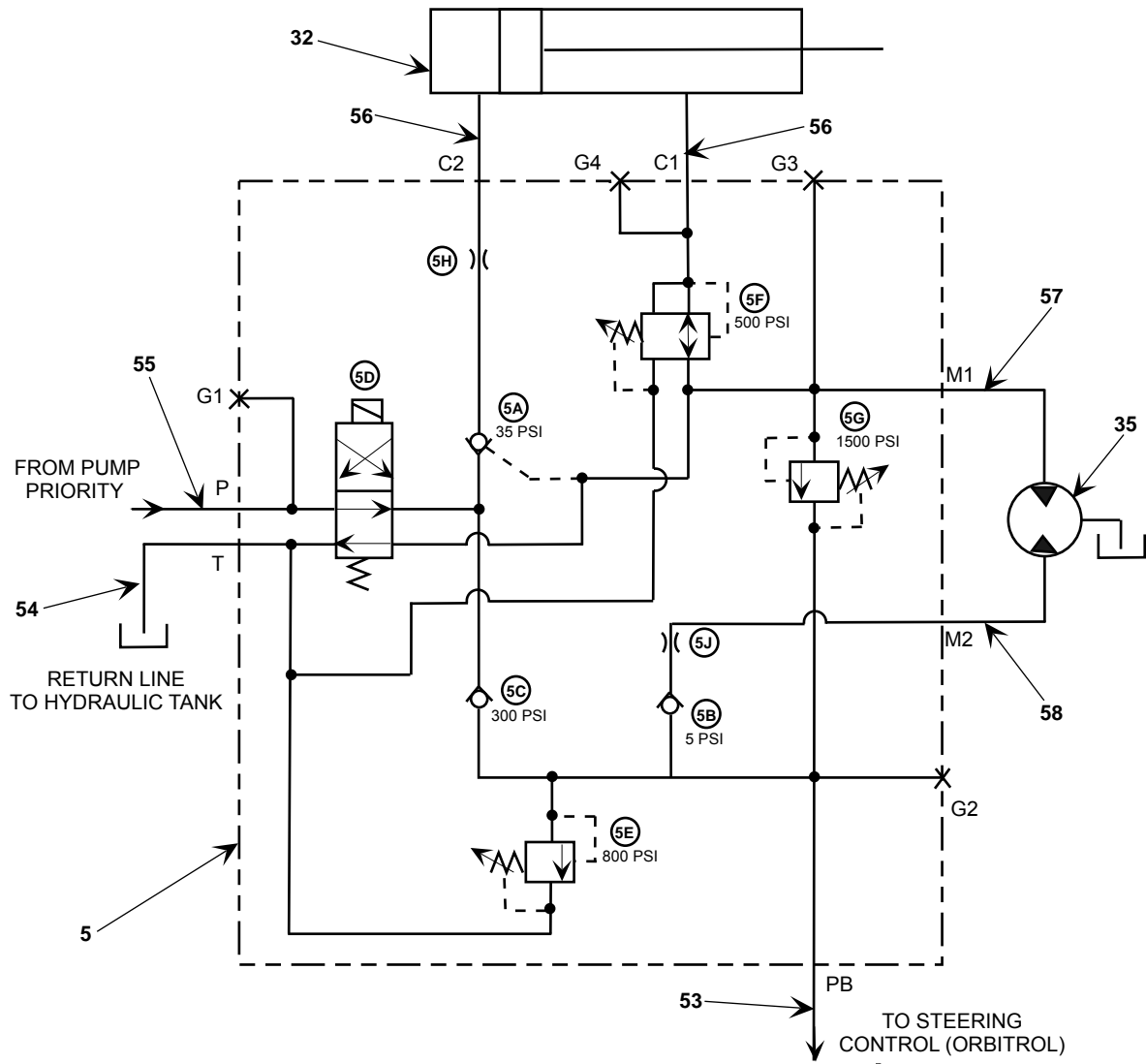
IND	PART NO	COMMON to 500	DESCRIPTION	QTY	SERIAL NO
1	F1-69030	Y	FITTING, 90° ELBOW, 06MB X 06FS	1	10133 -
2	HA-08981	Y	NUT, LOCK, HEX, 5/16-18	5	10133 -
3	4F-55250	Y	WELDMENT, MOUNT PAN, BOARD BRUSH	1	10133 -
4	F1-62090	Y	FITTING, STRAIGHT, 06MB X 06MJ	4	10133 -
5	2V-9045A	N	MANIFOLD, BB (FP)	1	10133 -
6	HA-13020	Y	SCREW, HEX HEAD, 7/16-20 X 3	3	10133 -
	HA-13021	Y	SCREW, HEX HEAD, 7/16-20 X 3 ¼	1	10133 -
7	4F-55106	Y	SHAFT, PIVOT ARM, BOARD BRUSH	1	10133 -
8	1Z-01620	Y	FITTING, GREASE, ¼-28 STRAIGHT	2	10133 -
9	8T-12530	Y	BUMPER	1	10133 -
10	HA-04706	Y	SCREW, FILLISTER HEAD, #10-32 X ½	1	10133 -
11	15-81116	Y	ROLL PIN	2,1	10133 -
12	HA-14017	Y	SCREW, HEX HEAD, ½-13 X 2¼	1	10133 -
13	4F-55005	Y	WELDMENT, BOARD BRUSH ARM	1	10133 -
14	HA-08011	Y	SCREW, HEX HEAD, 5/16-18 X 1	5	10133 -
15	HA-08860	Y	WASHER, FLAT, 5/16	6	10133 -
16	8R-0500A	Y	ROLLER	1	10133 -
17	HA-08862	Y	WASHER, LOCK, 5/16	3	10133 -
18	5V-62024	Y	PLATE, BOARD BRUSH UPPER	1	10133 -
19	N/A				
20	HA-03862	Y	WASHER, LOCK, 1/4	3	10133 -
21	5V-62020	Y	BRUSH	1	10133 -
22	5V-62022	Y	BRUSH RING, RETAINING	1	10133 -
23	HA-06012	Y	SCREW, SOCKET HEAD, ¼-20 X 1-3/8	3	10133 -
24	43-73380	Y	BUSHING	1	10133 -
25	5V-0500B	Y	ADAPTER	1	10133 -
26	HA-12981	Y	LOCKNUT, HEX, 7/16 X 4	2	10133 -
27	4F-55045	Y	BRACKET, MOTOR MTG.	1	10133 -
28	HA-15986	Y	NUT, LOCK, FLEX, ½-20	1	10133 -
29	15-02108	Y	KEY, ¼ SQUARE X 1¼	1	10133 -
30	15-62130	Y	PIN, HINGE	1	10133 -
31	F2-69010	Y	FITTING, 90° ELBOW, 02MP X 02FS	2	10133 -
32	2X-87600	Y	HYDRAULIC CYLINDER	1	10133 -
33	HA-14008	Y	SCREW, HEX HEAD, ½-13 X 1¼ W/ #10-32 THD	1	10133 -
34	4J-04060	Y	ROD END	1	10133 -
35	2M-62060	Y	HYDRAULIC MOTOR	1	10133 -
36	F1-62180	Y	FITTING, STRAIGHT, 10MB X 06MJ	2	10133 -
37	HA-12013	Y	SCREW, HEX HEAD, 7/16-14 X 1¼	2	10133 -
38	HA-15018	Y	SCREW, HEX HD, ½-20 X 2½	1	10133 -
39	4J-04050	Y	ROD END	1	10133 -
40	HA-14861	Y	FLATWASHER, ½	2	10133 -
41	10-3624H	Y	BUSHING	2	10133 -

**GROUP 12.1 - BOARD BRUSH**

IND	PART NO	COMMON to 500	DESCRIPTION	QTY	SERIAL NO
42	HA-14014	Y	SCREW, HEX HEAD, 1/2 -13 X 1 1/2	2	10133 -
43	HA-14982	Y	NUT, HEX, THIN, 1/2-13	3	10133 -
44	HA-10017	Y	SCREW, HEX HEAD, 3/8-16 X 2 1/4	2	10133 -
45	HA-13981	Y	NUT, LOCK, HEX, 7/16-20	4	10133 -
46	HA-06009	Y	SCREW, HEX HEAD, 1/4-20 X 3/4	1	10133 -
47	4F-55143	Y	STOP PLATE	1	10133 -
48	HA-08027	Y	SCREW, HEX HEAD, 5/16-18 X 5 3/4	2	10133 -
49	F1-62070	Y	FITTING, STRAIGHT, 06MB X 04MJ	2	10133 -
50	F2-69080	Y	FITTING, 90° ELBOW, 06FS X 06MP	1	10133 -
51	FL-81550	Y	FITTING, TEE, 06FP X 06FP X 06FP	1	10133 -
52	F2-64080	Y	FITTING, STRAIGHT, 06FS X 06MP	1	10133 -
53	PM-3540B	Y	HOSE, 3/8 X 135, 06MP X 06MP	1	10133 -
54	PM-3164C	Y	HOSE, 3/8 X 41, 06FJIC X 06MP	1	10133 -
55	PM-3184C	Y	HOSE, 3/8 X 46, 06FJIC X 06MP	1	10133 -
56	PM-1072A	Y	HOSE, 1/4 X 18, 02MP X 04FJIC	2	10133 -
57	PM-3102B	Y	HOSE, 3/8 X 25, 06FJ X 06MP	1	10133 -
58	PM-3102A	Y	HOSE, 3/8 X 26, 06FJ X 06MP	1	10133 -
59	PM-3436D	Y	HOSE, 3/8 X 112, 06MP X 06MP	1	10133 -
60	F1-69050	Y	FITTING, 90° ELBOW, 08MB X 06FS	1	10133 -
61	HA-10981	Y	NUT, HEX, NY-LOCK, 3/8-16	2	10133 -
62	HA-15988	Y	NUT, HEX, THIN, 1/2-20	2	10133 -
63	FL-62260	Y	NIPPLE, HEX, BRASS, 06MP X 06MP	1	10133 -
64	HA-14986	Y	NUT, HEX, TRI-LOCK 1/2-13	2	10133 -
65	15-62140	Y	PIN, ARM	1	10133 -
66	HA-08017	Y	SCREW, HEX HEAD, 5/16-18 X 2 1/4	1	10133 -

**GROUP 12.1 - BOARD BRUSH**

Hydraulic Schematic

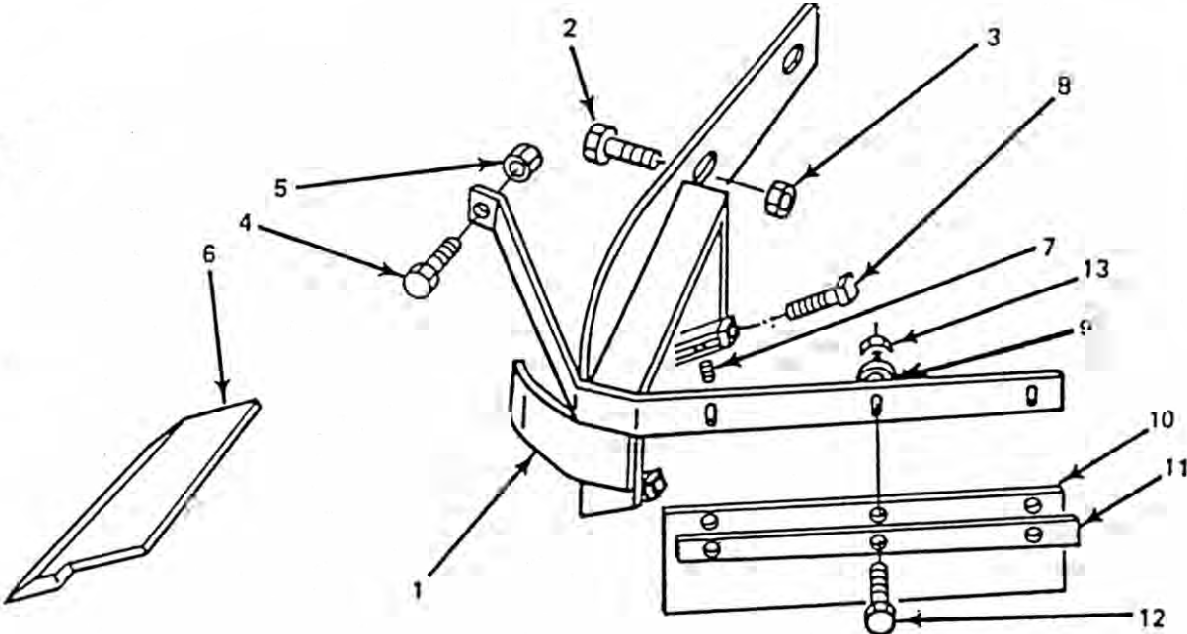


12.1-B

**GROUP 12.1 - BOARD BRUSH**

IND	PART NO	COMMON to 500	DESCRIPTION	QTY	SERIAL NO
5	2V-9045A	N	CONTROL VALVE MANIFOLD BLOCK (FP)	1	10133 -
5A	2V-9035B	Y	CHECK VALVE 35 PSI, MANIFOLD BLOCK	1	10133 -
5B	2V-9035C	Y	CHECK VALVE, 5 PSI, MANIFOLD BLOCK	1	10133 -
5C	2V-9035D	Y	CHECK VALVE, 300 PSI, MANIFOLD BLOCK	1	10133 -
5D	2V-9035E	Y	SOLENOID VALVE, MANIFOLD BLOCK	1	10133 -
	2V-9029C	Y	COIL, SOLENOID VALVE, MANIFOLD BLOCK	1	10133 -
5E	2V-9035F	Y	RELIEF VALVE, 800 PSI, MANIFOLD BLOCK	1	10133 -
5F	2V-9035H	Y	PRESSURE REDUCING VALVE, MANIFOLD BLOCK	1	10133 -
	2V-9035L	Y	SEAL KIT FOR 2V-9035H	1	10133 -
5G	2V-9035G	Y	RELIEF VALVE, 1500 PSI, MANIFOLD BLOCK	1	10133 -
	2V-9035M	Y	SEAL KIT FOR 2V-9035F & G	1	10133 -
5H	2V-9035J	Y	REMOVABLE ORIFICE, MANIFOLD BLOCK	1	10133 -
5J	2V-9035K	Y	REMOVABLE ORIFICE, MANIFOLD BLOCK	1	10133 -

**GROUP 13.1 - EDGER ATTACHMENT**



**GROUP 13.1 - EDGER ATTACHMENT**

IND	PART NO	COMMON to 500	DESCRIPTION	QTY	SERIAL NO
	KZ-74820	Y	EDGER KIT, INCLUDING ITEMS 1 THRU 13	1	10133 -
1	5E-71200	Y	FRAME, EDGER	1	10133 -
2	HA-18015	Y	SCREW, HEX HEAD, 5/8-11 X 1-3/4	2	10133 -
3	HA-18986	Y	NUT, HEX TRI-LOCK, 5/8-11	2	10133 -
4	HA-14014	Y	SCREW, HEX HEAD, 1/2-13 X 1 1/2	1	10133 -
5	HA-14986	Y	NUT, HEX TRI-LOCK, 1/2-13	1	10133 -
6	5E-71770	Y	BLADE, EDGER	1	10133 -
7	HD-0840F	Y	SOCKET SET SCREW, 5/8-16 X 3/8	2	10133 -
8	HD-1451F	Y	SET SCREW, SQUARE HEAD, 1/2-13 X 2 1/2	2	10133 -
9	HF-10860	Y	WASHER, S.S., FLAT, 3/8	3	10133 -
10	5M-76500	Y	SQUEEGEE, EDGER	1	10133 -
11	1M-33780	Y	BAR, SQUEEGEE, RETAINING	1	10133 -
12	HF-10014	Y	SCREW, S.S., HEX HEAD, 3/8-16 X 1 1/2	3	10133 -
13	HF-10981	Y	NUT, S.S., LOCK, HEX, 3/8-16	3	10133 -