

PARTS LIST

SN 7164+

MODEL
552



ZAMBONI®

ZAMBONI USA

Frank J. Zamboni & Co., Inc.
15714 Colorado Ave, Paramount CA 90723 U.S.A.
Phone: 562.633.0751 Fax: 562.633.9365

ZAMBONI CANADA

Zamboni Company Ltd.
38 Morton Ave. East., Box 1388, Brantford Ontario, N3T 5T6 Canada
Phone: 519.758.5000 Fax: 519.758.0500

IMPORTANT SAFETY NOTICE

In addition to following proper operational procedures, periodic lubrication and maintenance is important for the safe and reliable performance of your Zamboni ice resurfacing machine.

Improper operation, improper maintenance or lack of maintenance of this machine is dangerous and could result in injury or death.

Read, understand and observe all safety precautions, warnings and labels described in this machine's Operating Instructions before performing lubrication or maintenance and prior to operating this machine.

These warnings in the manuals and on the machine are identified by the symbol:

DANGER



Operations that may cause product damage are identified on the product and in this publication. Zamboni cannot anticipate every possible circumstance that might involve potential hazard.

DANGER



Do not operate or perform maintenance on this machine unless you have read and understood the machine's Operating Instructions. Improper machine operation and maintenance is dangerous and could result in injury or death. Contact Zamboni for free replacement manuals. Proper operation and maintenance is your responsibility.

This Parts List is applicable to this Zamboni ice resurfer and includes identification of optional equipment not present on all machines.

The right column of the Parts List indicates the serial number range of the machines for which a given part is applicable. Items which are listed without an index number are usually closely related to the preceding indexed item and in most cases identify a fastener used with that indexed item.

WHEN ORDERING REPLACEMENT PARTS, PLEASE SUPPLY THE FOLLOWING:

- Part Number (please use the new part number if old and new are listed)
- Description
- Quantity required
- Model number and serial number of your machine
- Shipping instructions (air, surface, parcel post)

For a list of the most current publications or if you have any questions regarding the correct part number for your machine, please contact our customer service department:

ZAMBONI USA

Frank J. Zamboni & Co., Inc.

15714 Colorado Ave, Paramount CA 90723 U.S.A.

Phone: 562.633.0751 Fax: 562.633.9365

ZAMBONI CANADA

Zamboni Company Ltd.

38 Morton Ave. East., Box 1388, Brantford Ontario, N3T 5T6 Canada

Phone: 519.758.5000 Fax: 519.758.0500

Model 552 Parts List

This Parts List is applicable to all Zamboni Model 552 Ice Resurfacer starting with serial number 7164-up and includes identification of optional equipment not present on all machines.

The right column of the Parts List indicates the serial number range of the machines for which a given part is applicable. Items which are listed without an index number are usually closely related to the preceding indexed item and in most cases identify a fastener used with that indexed item.

When ordering replacement parts, please supply the following:

- Part Number (please use the new part number if old and new are listed)
- Description
- Quantity required
- Model number and serial number of your machine
- Shipping instructions (air, surface, parcel post)

If you have any questions regarding the correct part number for your machine, please contact our customer service department by mail, phone, or fax:

FRANK J. ZAMBONI CO., INC.

15714 Colorado Avenue

Paramount, CA 90723-0770

Phone: (562) 633-0751

Fax: (562) 633-9365

Email: DZamboni@zamboni.com

ZAMBONI® IS A REGISTERED TRADEMARK

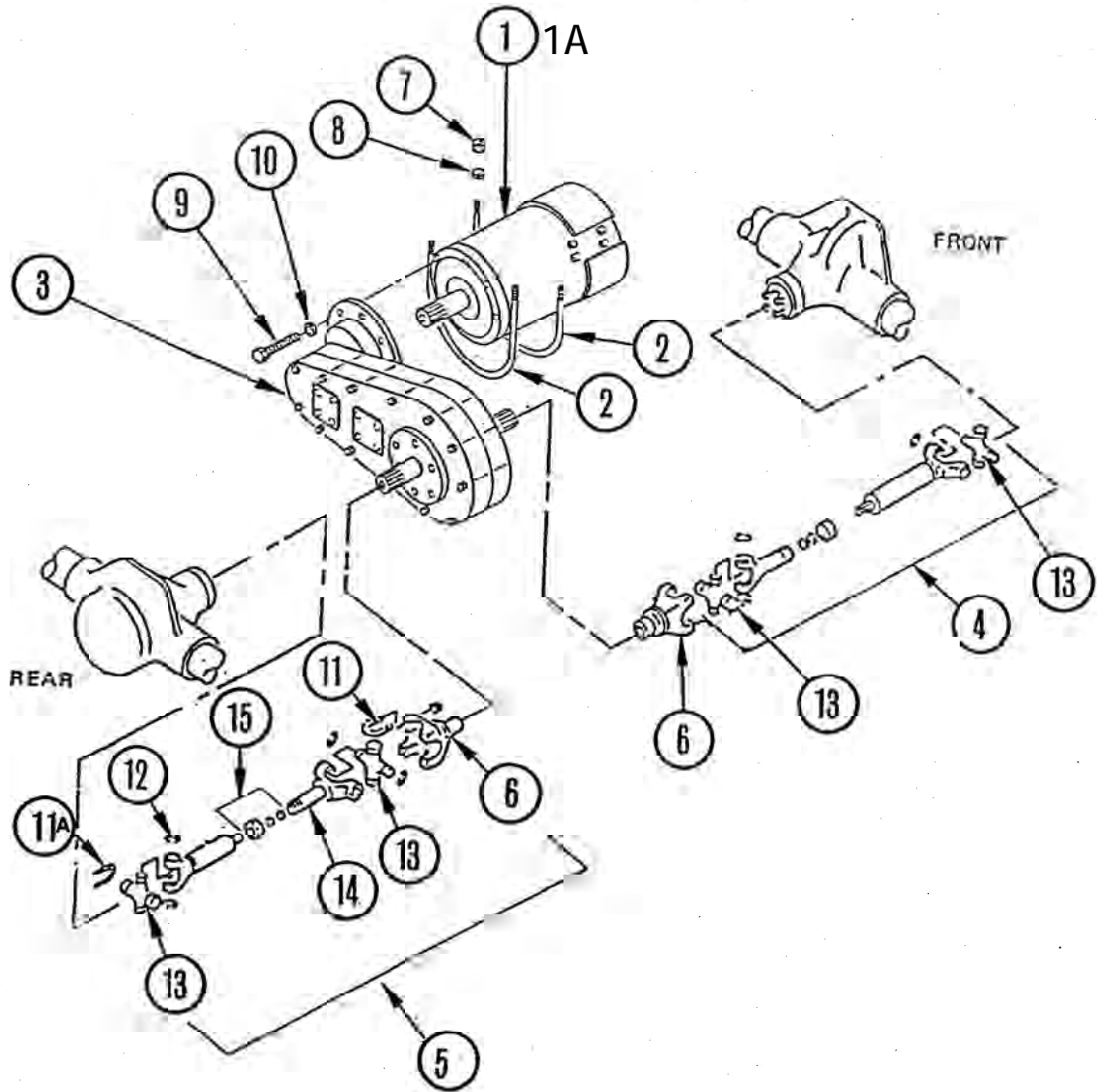
PATENTS: United States Pat. Nos. 2642679, 2763939, 3044193, 3622205, 4125915, Canadian Pat. Nos. 519619, 918063, Japanese Pat. Nos. 451121, 451112, 831438, Swiss Pat. No. 319606, Great Britain Pat. No. 722880, Swedish Pat. No. 7107963-6, German Pat. No. 1096261, French Pat. No. 71.22530.

Other U.S.A. and Foreign Patents applied for.

ZAMBONI®
MODEL 552 PARTS LIST
CONTENTS

<u>GROUP</u>	<u>DESCRIPTION</u>
1.1	POWER TRAIN GROUP
1.2	AXLES, WHEELS, SUSPENSION GROUP
1.3	BRAKE SYSTEM GROUP
1.4	STEERING GROUP
2.1	SEVCON CONTROLLER GROUP
2.2	ENCLOSURE GROUP
2.3	ELECTRIC CONTROL GROUP
2.4	POWER CABLE GROUP
2.5	BATTERY GROUP
3.1	HYDRAULIC OIL TANK GROUP
3.2	HYDRAULIC HOSE GROUP
3.3	HYDRAULIC CONTROL VALVES AND HAND PUMP GROUP
4.1	VERT CONVEYOR, SNOW BREAKER GROUP
5.1	CONDITIONER GROUPS (FRAME, BLADE & WATER SYSTEM)
5.2	CONDITIONER LIFT GROUP
6.1	ICE WATER TANK GROUP
6.2	WASH WATER TANK W/O TRANSFER GROUP
7.1	SNOW TANK & CYLINDER GROUP
8.1	BODY PANELS, BUMPER GROUP
9.1	INSTRUCTION, NAMEPLATES GROUP
10.1	OPTIONS GROUP

GROUP 1.1 POWER TRAIN GROUP



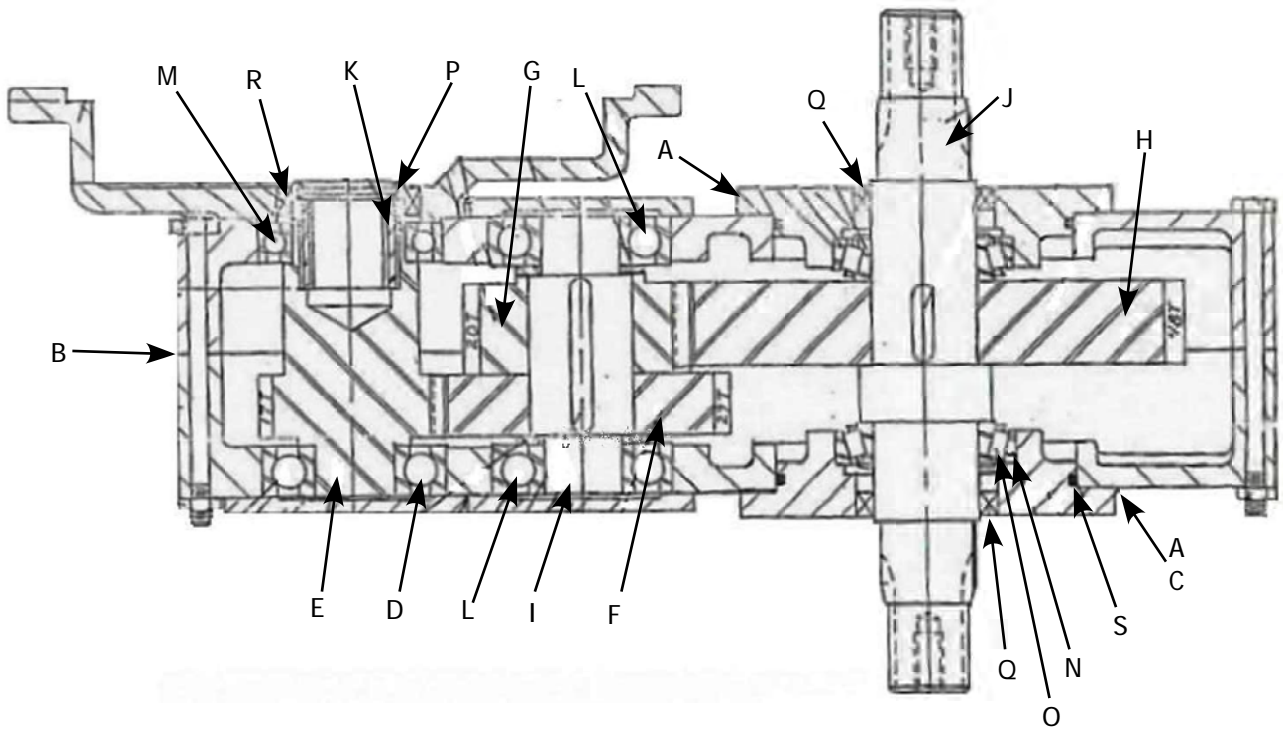
GROUP 1.1 POWER TRAIN GROUP

IND	PART NO	DESCRIPTION	QTY	SERIAL NO
1	2L-5520A	MOTOR, ELECTRIC, TRAC, GE	1	7164 - 9952, 9954 - 9956, 9958 - 9963, 9965, 9973 -
	2L-5520K	ARMATURE	1	SEE S/NS ABOVE
	2L-55223	BRUSH, ELECTRIC TRAC MOTOR, GE	4	"
	2L-5520J	BEARING KIT, TRACTION MOTOR, GE	1	"
1A	2L-5520C	MOTOR, ELECTRIC, TRAC, NETGAIN	1	9953, 9957, 9964 9966 - 9972, 10208 -
	2L-55231	BRUSH SET, ELECTRIC TRAC MOTOR, NETGAIN	1	SEE S/NS ABOVE
2	1K-5520B	U-BOLT, TD MOTOR, FRONT & REAR	2	7164 -
3	2J-5520A	GEAR BOX, HUB CITY	1	7164 - 10640, 10642 - 10657
N/S	HD-1361L	BOLT (USED TO SEPARATE GEAR BOX FROM MOTOR)	2	7164 -
	2J-5525A	GEAR BOX, ODG	1	10641, 10658 -
	3R-55250	BREATHER VENT, GEARBOX, ODG	1	10641, 10658 -
4	1H-16220	DRIVE SHAFT, SHORT	1	7164 - 10640, 10642 - 10657
	1H-16210	DRIVE SHAFT, LONG	1	10641, 10658 -
5	1H-16210	DRIVE SHAFT, LONG	1	7164 - 10640, 10642 - 10657
	1H-16220	DRIVE SHAFT, SHORT	1	10641, 10658 -
6	1H-74670	YOKE, DRIVE, SHAFT END	2	7164 -
	HA-12014	SCREW, HEX HD, 7/16-14 X 1-1/2	2	7164 -
	HA-12862	LOCKWASHER, 7/16	2	7164 -
	HD-12862	WASHER, 15/32 X 1-1/2 X 3/16	2	7164 -
7	HF-14980	NUT, STAINLESS HEAVY HEX, 1/2-13	4	7164 -
8	HF-14862	LOCKWASHER, STAINLESS, 1/2	4	7164 -
9	HA-10015	SCREW, HEX HD, 3/8-16 X 1-3/4	7	7164 -
10	HA-10862	LOCKWASHER, 3/8	7	7164 -
	HA-08862	LOCKWASHER, 5/16	1	7164 -
11	1L-73040	U-BOLT, NUT AND WASHER	8	7164 - 7168
	1L-73040	U-BOLT, NUT AND WASHER	4	7169 -
11A	1H-74695	STRAP ASSEMBLY	4	7169 -
12	1F-73060	SNAP-RING	8	7164 -
13	1F-73050	CROSS BEARING	4	7164 -
14	1F-72950	SLIP TUBE YOKE	2	7164 -
15	1F-72970	DUCT CAP ASSY	2	7164 -

HUB CITY AND ODG GEAR BOX OIL CAPACITY - 5.5 U.S. PTS, 2.6 L 90W

GROUP 1.1 POWER TRAIN GROUP

2J-5520A HUB CITY GEAR BOX

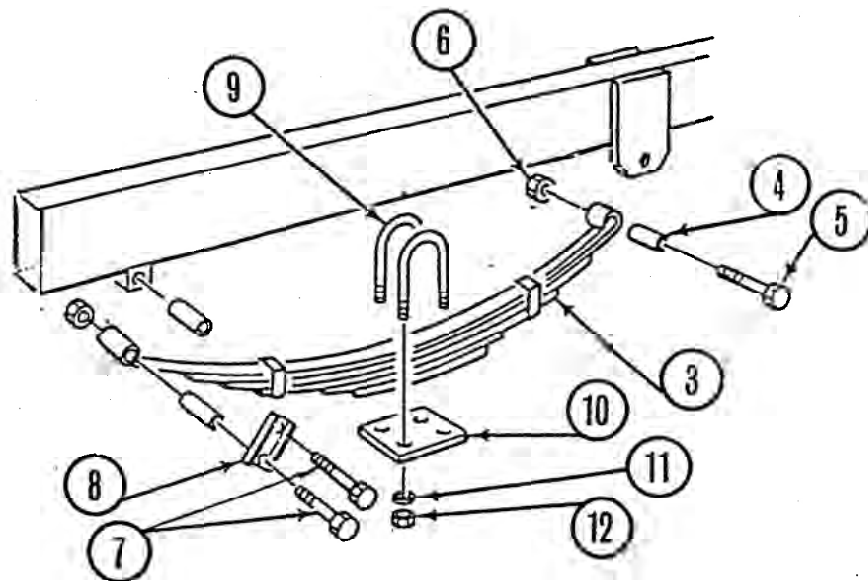
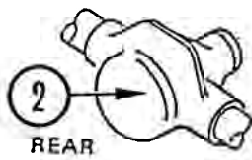


GROUP 1.1 POWER TRAIN GROUP

IND	PART NO	DESCRIPTION	QTY	SERIAL NO
<u>2J-5520A HUB CITY GEAR BOX</u>				
A	2J-5520J	GASKET	4	7164 -
B	2J-5520R	GASKET	1	7164 -
C	2J-5520L	SHIM, .005 BLUE	2	7164 -
D	2J-5520K	GASKET	2	7164 -
E	2J-5520C	GEAR, INTG HEL LH 17	1	7164 -
F	2J-5520D	GEAR, HEL RH 29T	1	7164 -
G	2J-5520E	GEAR, HEL LH 20T	1	7164 -
H	2J-5520F	GEAR, HEL RH 48T	1	7164 -
I	2J-5520G	SHAFT, IDLER	1	7164 -
J	2J-5520P	SHAFT, OUTPUT	1	7164 -
K	2J-5520S	BUSHING, SPLINE	1	7164 -
L	2J-5520M	BEARING, BALL	3	7164 -
M	2J-5520N	BEARING, BALL	1	7164 -
N	B0-5186M	CUP, BEARING	2	7164 -
O	B0-5186B	CONE, BEARING	2	7164 -
P	2J-5520H	RING, RETAINING	1	7164 -
Q	2F-93200	SEAL, OUTPUT SHAFT	2	7164 -
R	2F-93300	SEAL, INPUT SHAFT	1	7164 -
S	2E-0119P	O-RING	2	7164 -
N/S	15-54114	KEY, 3/8SQ X 1-7/16	1	7164 -
N/S	3R-06552	BREATHER, 3/8 NPT BRASS WIRE	1	7164 -

GEAR BOX OIL CAPACITY - 5 U.S. PTS, 2.4 L 90W

GROUP 1.2 AXLES, WHEELS, SUSPENSION GROUP



GROUP 1.2 AXLES, WHEELS, SUSPENSION GROUP

IND	PART NO	DESCRIPTION	QTY	SERIAL NO
1	1D-16698	FRONT AXLE W/DISC BRAKES	1	7164 -
	1K-55215	U-BOLT, 3/4-16, 3.81 OC X 5.44, RD, FRONT	2	7164 -
	HA-23983	NUT, HIGH HEX, 3/4-16	4	7164 -
	HA-22862	LOCKWASHER, 3/4	4	7164 -
2	1E-16660	REAR AXLE W/BRAKE CABLES	1	7164 -
3	1L-75100	SPRING, 5 LEAF, 31-1/4, W/BUSHING	2	7164 - 7832
	1L-75110	SPRING, 7 LEAF, 31-1/4, W/BUSHING	2	7833 -
4	10-40500	BUSHING, 7/16 1D X 1-3/4	6	7164 -
5	HA-13021	SCREW, HEX HD, 7/16-20 X 3-1/4	2	7164 -
6	HA-13981	LOCKNUT, HEX HD, 7/16-20	6	7164 -
7	HA-13020	SCREW, HEX HD, 7/16-20 X 3	4	7164 -
8	1M-40510	STRAP, SPRG SHACKLE, PRIMED	4	7164 -
9	1K-73360	U-BOLT, 1/2-20, 3.69 X 6.5, RD, REAR	4	7164 - 7832
	1K-73370	U-BOLT, 1/2-20, 3.69X7.0, RD, REAR	4	7833 -
10	1P-73340	PLATE, 1/2 X 4 X 5-1/2, 5 HOLES	2	7164 -
	10-1605A	BUSHING, .52 ID, .63 OD, 5/16 L	2	7164 -
11	HA-14862	LOCKWASHER, 1/2	8	7164 -
12	HD-15981	NUT, HIGH HEX, 1/2-20	8	7164 -
N/S	1B-2566C	WHEEL, 16 X 6, CHROME SPOKE (USE 1B-2600C)	5	7164 -
N/S	1B-2600C	WHEEL, 16 X 7, CHROME SPOKE	5	7164 - 11417
N/S	1B-2700A	WHEEL, 16 X 7, ALUM	5	11418 -
N/S	1B-0700D	TIRE, STUDDER, 245/75R16	5	7164 - 10657
	1B-51722	TIRE, STUDDER, 215/85R16	5	10658 -
N/S	1A-2600D	ASSY, CHROME WHEEL/STUD TIRE (245/75/R16)	5	7164 - 10657
	1A-2600C	ASSY, CHROME WHEEL/STUD TIRE,(215/86/R16)	5	10658 - 11417
	1A-2700A	ASSY, ALUM WHEEL/STUD TIRE (215/85R16)	5	11418 -
N/S	HD-1600C	NUT, WHL LUG, 1/2-20, CHROME	32	7164 -
N/S	FD-04160	90 STREET ELBOW (FRONT & REAR AXLES)	2	7164 -

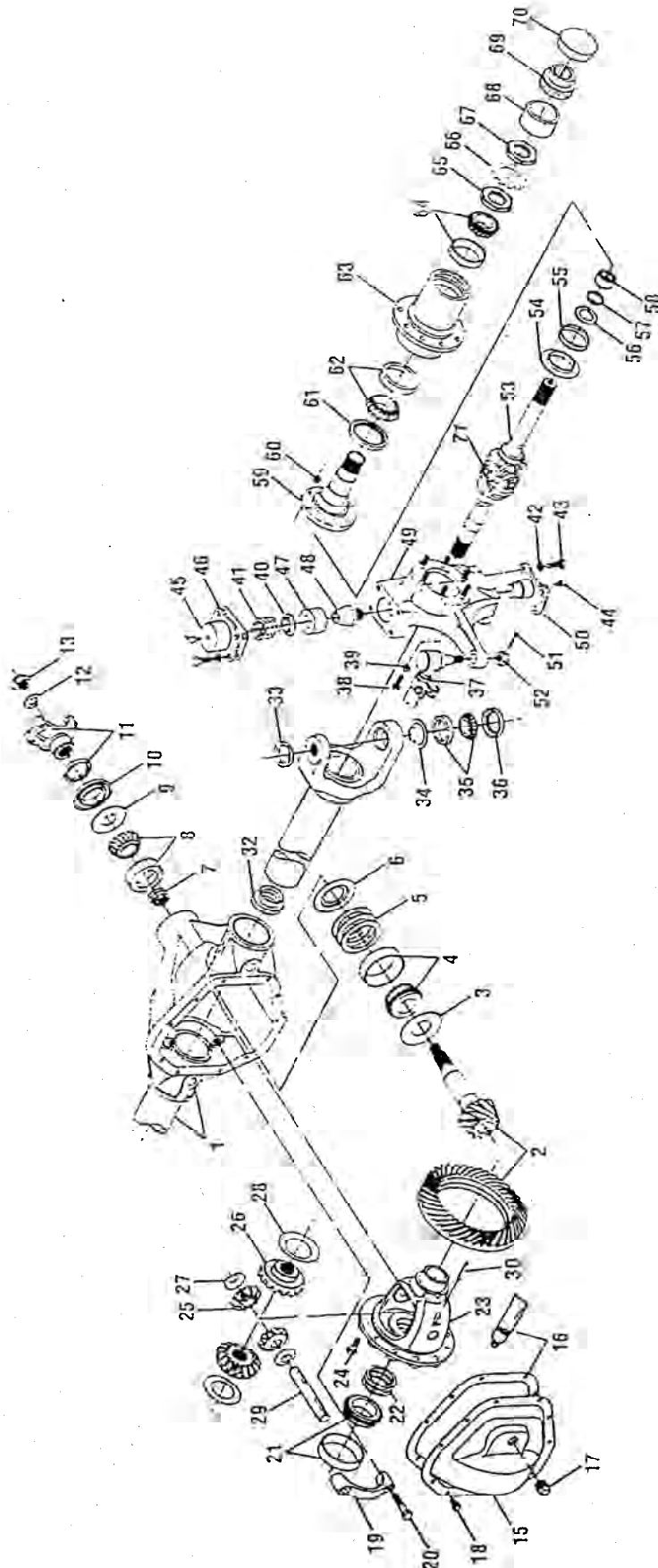
*WITHOUT STREET ELBOW**WITH STREET ELBOW*

AXLE OIL CAPACITY - FRONT
 AXLE OIL CAPACITY - REAR

7 U.S. PTS, 3.1 L
 7 U.S. PTS, 3.1 L

9.1 U.S.PTS, 4.3 L
 9.1 U.S.PTS, 4.3 L

GROUP 1.2 AXLES, WHEELS, SUSPENSION GROUP (CONT'D)



GROUP 1.2 AXLES, WHEELS, SUSPENSION GROUP (CONT'D)

IND	PART NO	DESCRIPTION	QTY	SERIAL NO
60F FRONT AXLE				
1	**	HOUSING	-	7164 -
2	1F-07601	GEAR AND PINION ASSEMBLY	1	7164 -
3	*	SLINGER, PINION BEARING, INNER	-	7164 -
4	BH-6803V	KIT, INNER PINION BEARING	1	7164 -
5	*	SHIM, PINION BEARING ADJUSTING	-	7164 -
6	*	BAFFLE, PINION BEARING	-	7164 -
7	*	SHIM, PINION BEARING ADJUSTING	-	7164 -
8	BH-5885V	KIT, OUTER PINION BEARING	1	7164 -
9	*	SLINGER, PINION BEARING, OUTER	-	7164 -
10	*	SEAL, PINION	-	7164 -
11	00-09522	END YOKE ASSEMBLY	1	7164 - 7168
	1F-95525	END YOKE ASSEMBLY	1	7169 -
12	*	WASHER, PINION AND NUT	-	7164 -
13	*	NUT, PINION	-	7164 -
15	1F-07602	COVER, CARRIER	1	7164 -
16	1F-07603	COVER GASKET & RTV SEALANT	1	7164 -
17	**	PLUG, COVER	-	7164 -
18	**	BOLT, CARRIER COVER	-	7164 -
19	**	CAP, DIFFERENTIAL BEARING	-	7164 -
20	**	BOLT, DIFFERENTIAL BEARING CAP	-	7164 -
21	BO-3387V	KIT, DIFFERENTIAL BEARING	1	7164 -
22	*	SHIM , DIFFERENTIAL BEARING	-	7164 -
23	*	CASE DIFFERENTIAL	-	7164 -
24	*	BOLT, DRIVE GEAR	-	7164 -
25	1F-07604	PINION, DIFFERENTIAL	1	7164 -
26	1F-07605	GEAR, DIFFERENTIAL	1	7164 -
27	*	THRUSTWASHER, DIFFERENTIAL PINION	-	7164 -
28	*	THRUSTWASHER, DIFFERENTIAL GEAR	-	7164 -
29	*	SHAFT, DIFFERENTIAL	-	7164 -
30	*	LOCK, DIFFERENTIAL SHAFT	-	7164 -
31	**	PLUG, VENT (NOT SHOWN)	-	7164 -
32	2F-93470	SEAL & GUIDE, SHAFT	2	7164 -
33	1F-0718A	SEAL, KING PIN	2	7164 -
34	1F-0719A	RETAINER, GREASE	2	7164 -
35	*	BEARING, KING PIN	-	7164 -
36	1F-0720A	SEAL, OIL	2	7164 -
37	**	TIE ROD ASSEMBLY	-	7164 -
38	**	BOLT, STOP	-	7164 -
39	**	NUT, JAM	-	7164 -
40	1F-0715A	RETAINER, COMPRESSION SPRING	2	7164 -
41	1F-0714A	SPRING, COMPRESSION	2	7164 -

GROUP 1.2 AXLES, WHEELS, SUSPENSION GROUP (CONT'D)

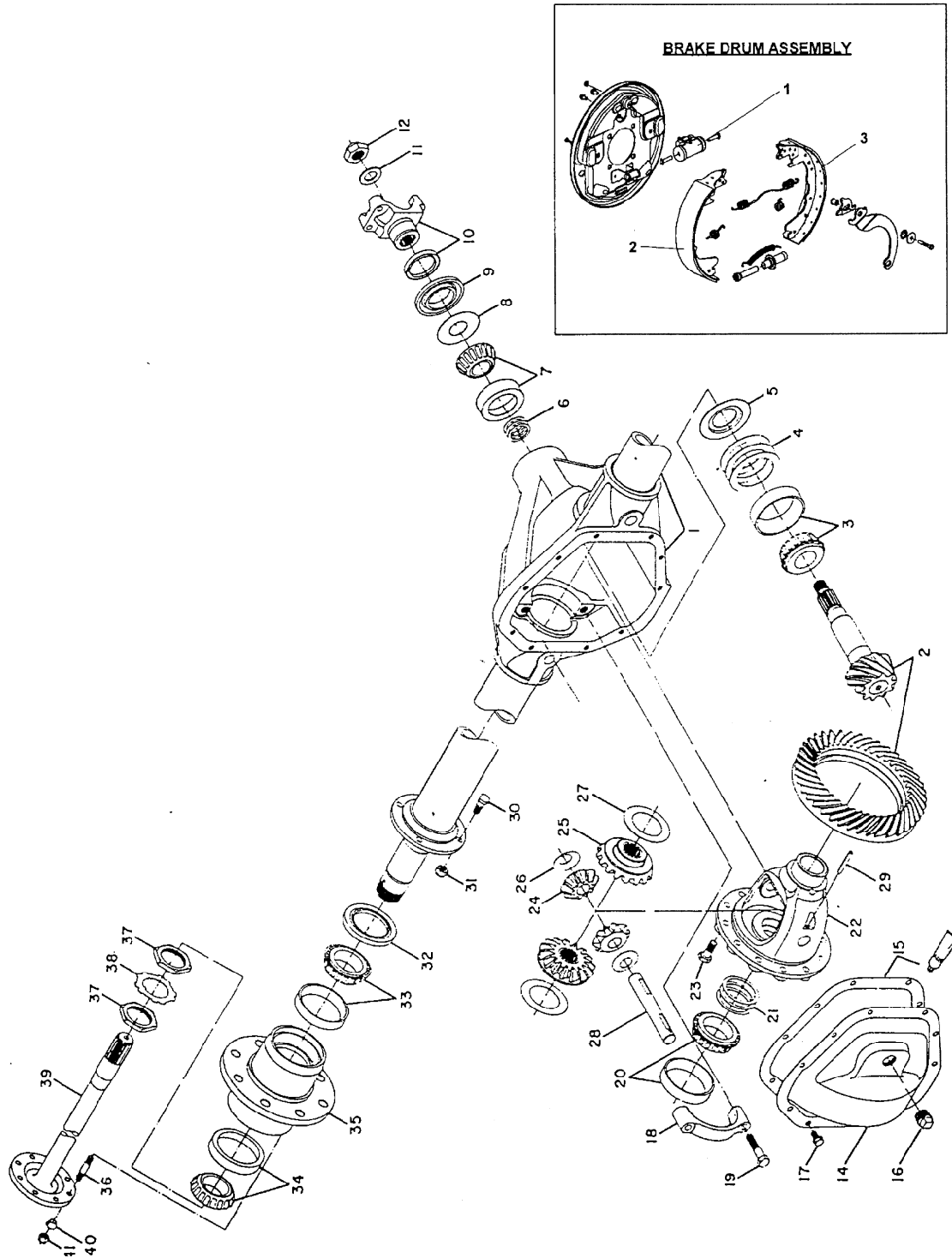
IND	PART NO	DESCRIPTION	QTY	SERIAL NO
42	1F-0710A	LOCKWASHER	16	7164 -
43	1F-0711A	BOLT, KING PIN BEARING CAP	16	7164 -
44	**	FITTING, LUBE	-	7164 -
45	1F-0708A	CAP, KING PIN	2	7164 -
46	1F-0713A	GASKET, KING PIN CAP	2	7164 -
47	1F-0716A	BUSHING, KING PIN	2	7164 -
48	1F-0717A	KING PIN	2	7164 -
49	1F-07606	STEERING KNUCKLE ASSEMBLY, LH	1	7164 -
	1F-07607	STEERING KNUCKLE ASSEMBLY, RH	1	7164 -
50	1F-0712A	CAP, KING PIN BEARING	2	7164 -
51	**	PIN, COTTER	-	7164 -
52	**	NUT	-	7164 -
53	1F-07608	SHAFT & JOINT ASSEMBLY, LH	1	7164 -
	1F-07609	SHAFT & JOINT ASSEMBLY, RH	1	7164 -
54	**	SLINGER, SLINDLE YOKE	-	7164 -
55	**	SEAL, OIL	-	7164 -
56	**	SPACER, WHEEL BEARING SPINDLE	-	7164 -
57	**	SEAL, VEE BLOCK	-	7164 -
58	**	BEARING ASSEMBLY, NEEDLE	-	7164 -
59	1F-07610	SPINDLE ASSEMBLY, WHEEL BEARING	2	7164 -
60	**	NUT, BRAKE MOUNTING	-	7164 -
61	2F-09000	SEAL, OIL	2	7164 -
62	BO-3387W	KIT, INNER WHEEL BEARING	2	7164 -
63	1F-07615	HUB, WHEEL W/ROTOR	2	7164 -
64	BL-6104W	KIT, OUTER WHEEL BEARING	2	7164 -
65	1F-0733A	NUT, WHEEL BEARING RETAINER	4	7164 -
66	00-09441	LOCKWASHER, WHEEL BEARING NUT	2	7164 -
67	1F-0733A	NUT, WHEEL BEARING RETAINER	2	7164 -
68	**	SPACER, DRIVE GEAR	-	7164 -
69	1F-07620	GEAR, DRIVE	-	7164 -
70	1F-07619	CAP, HUB	-	7164 -
71	1F-0760A	CROSS BEARING, SHAFT & JOINT ASSEMBLY	2	7164 -
N/S	1F-07611	DRIVE GEAR & PINION ASSEMBLY (CONSISTS OF ITEMS 2, 3, 4, 5, 6, 7, 8, 9, 10, 11, 12, 13, 16, 22, 24)	1	7164 -
N/S	1F-07612	DIFFERENTIAL CASE ASSEMBLY (CONSISTS OF ITEMS 16, 21, 23, 24, 25, 26, 27, 28, 29, 30)	1	7164 -
N/S	1F-07613	DIFFERENTIAL ADJUSTING SHIM KIT (CONSISTS OF ITEMS 5, 7, 12, 13, 16, 22)	1	7164 -
N/S	1F-07614	SPINDLE SEAL AND BEARING KIT (CONSISTS OF ITEMS 55, 56, 57, 58, 60)	1	7164 -
N/S	1J-05524	CALIPER/BRAKE LINING, PRIMARY, RH	1	7164 -
N/S	1J-05526	BRAKE LINING, SECONDARY, RH	1	7164 -
N/S	1J-05525	CALIPER/BRAKE LINING, PRIMARY, LH	1	7164 -
N/S	1J-05527	BRAKE LINING, SECONDARY, LH	1	7164 -
N/S	1J-0552C	SPRING, CALIPER SUPPORT	2	7164 -
N/S	1J-0552D	KEY, CALIPER SUPPORT	2	7164 -
N/S	1J-0552E	SCREW, CALIPER SUPPORT	2	7164 -

* = PART NOT SERVICED INDIVIDUALLY

** = CONSULT ZAMBONI FACTORY

GROUP 1.2 AXLES, WHEELS, SUSPENSION GROUP (CONT'D)

60 REAR AXLE



GROUP 1.2 AXLES, WHEELS, SUSPENSION GROUP (CONT'D)

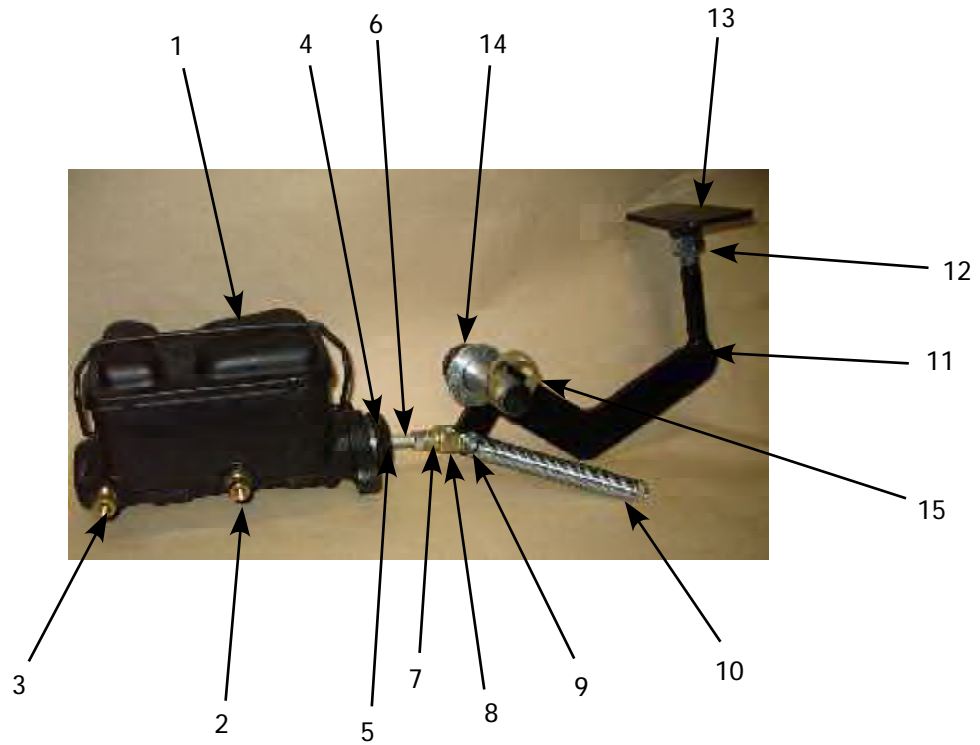
IND	PART NO	DESCRIPTION	QTY	SERIAL NO
60 REAR AXLE				
1	1E-16660	AXLE ASSY W/HUB, DRUM & BRAKE	1	7164 -
2	00-09493	RING & PINION	1	7164 -
3	BH-6803V	INNER PINION BEARING SET	1	7164 -
4	00-09480	SHIM SET	1	7164 -
5	NPN	BAFFLE	1	7164 -
6	NPN	SHIM SET	1	7164 -
7	BH-5885V	OUTER PINION BEARING SET	1	7164 -
8	NPN	SLINGER	1	7164 -
9	2F-3051A	PINION SEAL	1	7164 -
10	00-09552	END YOKE	1	7164 - 7168
	1F-95525	END YOKE	1	7169 -
11	NPN	WASHER	1	7164 -
12	NPN	NUT	1	7164 -
14	00-09548	CARRIER, COVER	1	7164 -
15	00-09547	GASKET, COVER	1	7164 -
16	NPN	DRAIN PLUG	1	7164 -
17	NPN	BOLT, CARRIER COVER	10	7164 -
18-29	00-09492	CARRIER ASSEMBLY	1	7164 -
23-29	00-09557	SPIDER GEARS	1	7164 -
20	BO-3387V	BEARING SET, CASE	1	7164 -
21	00-09479	CARRIER SHIM KIT	1	7164 -
30	NPN	BOLT	4	7164 -
31	NPN	NUT	4	7164 -
32	2F-4258A	SEAL	1	7164 -
33	BO-3370V	INNER WHEEL BEARING KIT	2	7164 -
34	BO-3359V	OUTER WHEEL BEARING KIT	2	7164 -
35	00-09498	HUB & DRUM ASSEMBLY	1	7164 -
36	1F-6000A	STUD, WHEEL	16	7164 -
37	00-09442	NUT	4	7164 -
38	00-09445	LOCKWASHER	2	7164 -
39	00-09342	AXLE SHAFT, LH & RH	2	7164 -
40	00-09553	ADAPTER	16	7164 -
41	1F-6002A	NUT	16	7164 -
N/S	00-09512	FLANGE GASKET	2	7164 -
	1J-0552A	BRAKE DRUM ASSEMBLY, LH (MANUAL ADJUST)	1	7164 -
	1J-0552B	BRAKE DRUM ASSEMBLY, RH (MANUAL ADJUST)	1	7164 -
1	1J-7292L	WHEEL CYLINDER, LEFT WHEEL	1	7164 -
	1J-7292R	WHEEL CYLINDER, RIGHT WHEEL	1	7164 -
	KZ-0410A	REPAIR KIT, WHEEL CYLINDER	1	7164 -
2&3	1J-7292B	BRAKE SHOES SET	1	7164 -

NPN = NO PART NUMBER

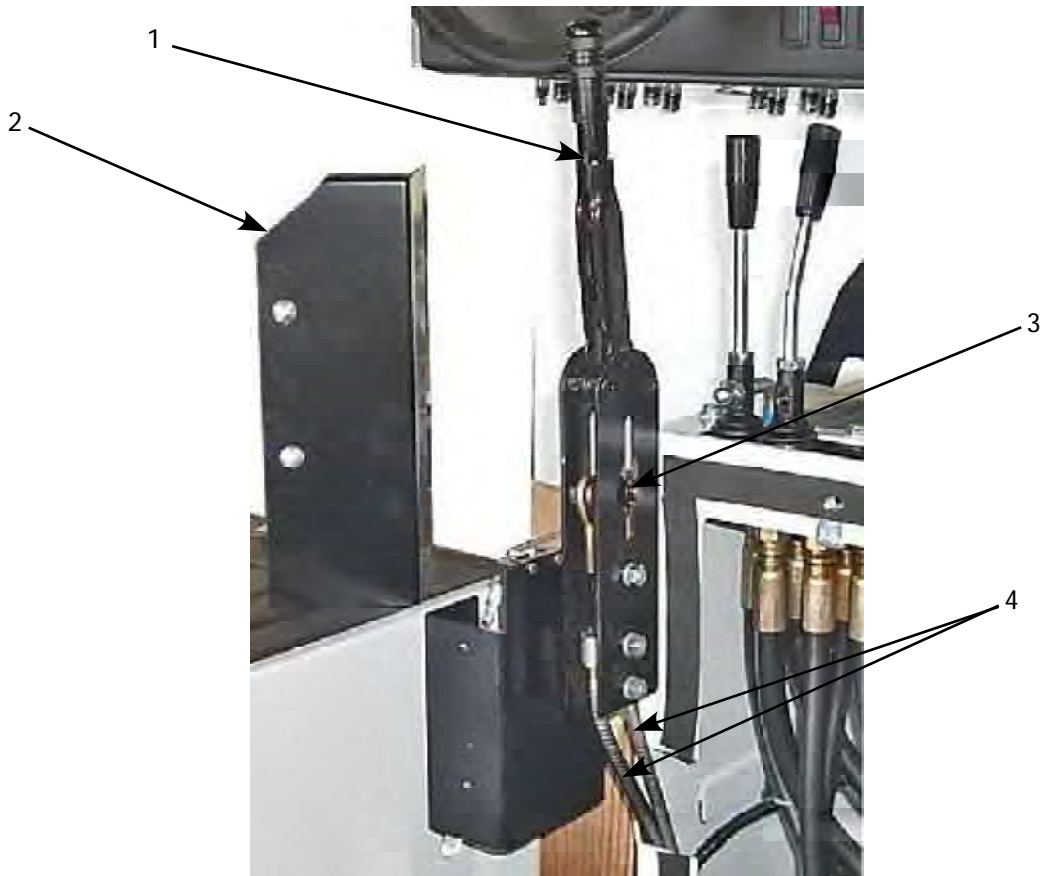
N/S = NOT SHOWN

GROUP 1.3 BRAKE SYSTEM GROUP

BRAKE MASTER CYLINDER AND BRAKE PEDAL ARM



PARKING BRAKE

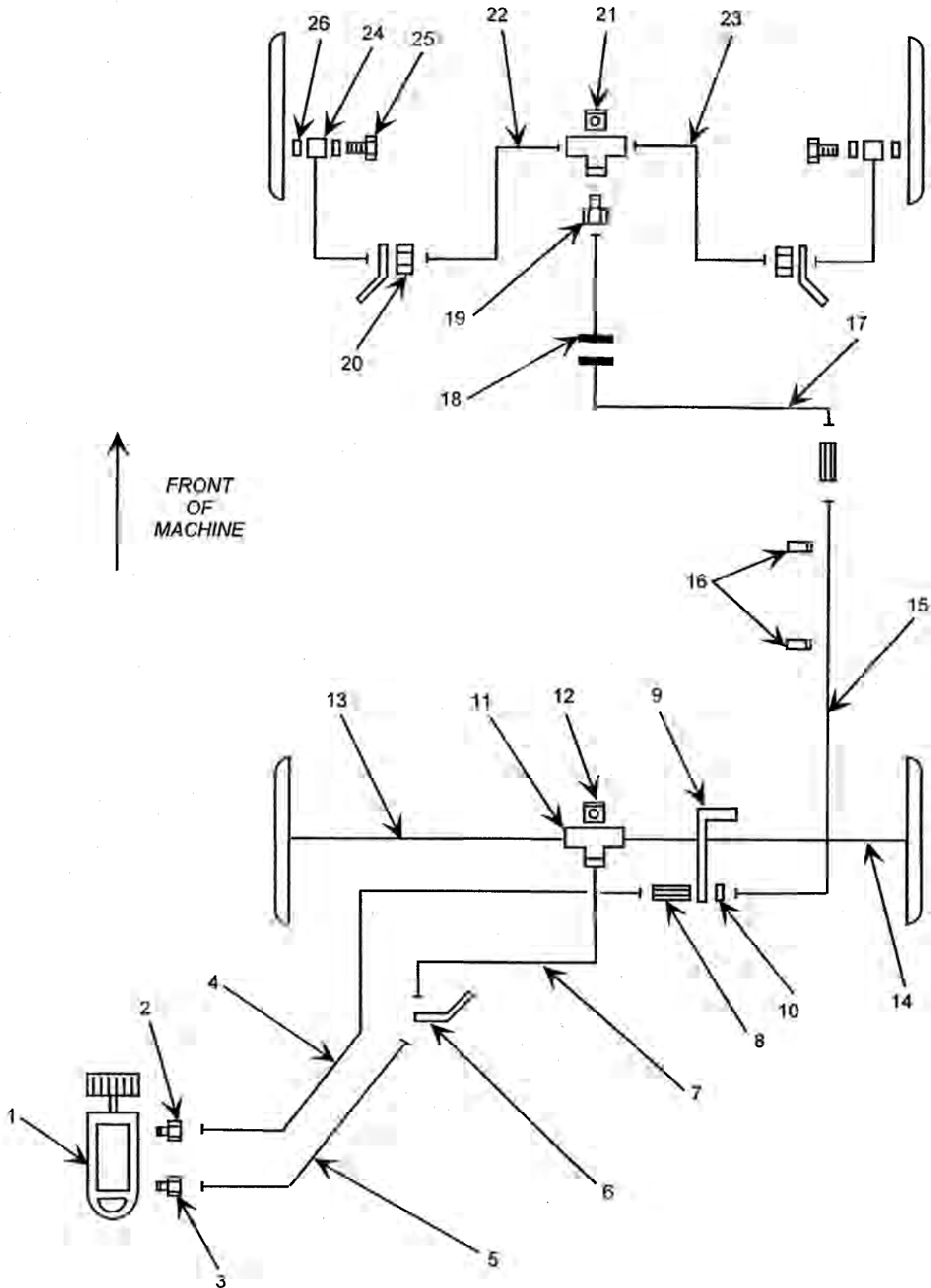


GROUP 1.3 BRAKE SYSTEM GROUP

IND	PART NO	DESCRIPTION	QTY	SERIAL NO
<u>BRAKE MASTER CYLINDER</u>				
1	4M-31576	MASTER CYLINDER ONLY	1	7164 -
2	4M-40404	BRAKE LINE ADAPTER	1	7164 -
3	4M-40406	BRAKE LINE ADAPTER	1	7164 -
4	4M-3157C	RUBBER BOOT	1	7164 -
5	HA-10014	SCREW, HEX HD, 3/8-16 X 1-1/2	2	7164 -
	HA-10860	WASHER, FLAT, 3/8	2	7164 -
	HA-10862	LOCKWASHER, 3/8	2	7164 -
	HA-10980	NUT, HEX. 3/8-16	2	7164 -
6	4M-31577	ROD, MASTER CYLINDER	1	7164 -
7	HA-11980	NUT, HEX, 3/8-24	1	7164 -
8	36-01560	CLEVIS YOKE, 3/8-24	1	7164 -
9	HA-63312	CLEVIS PIN	1	7164 -
10	1L-0520A	BRAKE RETURN SPRING	1	7164 -
11	4F-34225	BRAKE PEDAL ARM	1	7164 -
12	4M-4048A	PEDAL, BRAKE	1	7164 -
13	4M-4049A	BRAKE PEDAL COVER	1	7164 -
14	HA-30861	WASHER, FLAT, 1	2	7164 -
15	HA-7064A	E-RING, EXTERNAL, 1	1	7164 -
<u>PARKING BRAKE</u>				
1	4M-0700A	LEVER ASSY, HAND BRAKE	1	7164 -
2	46-39772	COVER, PARKING BRAKE LEVER	1	7164 -
3	4M-0710A	SWITCH PIN, PARKING BRAKE	1	7164 -
4	33-0107A	PARKING BRAKE CABLE	2	7164 -

GROUP 1.3 BRAKE SYSTEM GROUP (CONT'D)

BRAKE SYSTEM SCHEMATIC



GROUP 1.3 BRAKE SYSTEM GROUP (CONT'D)

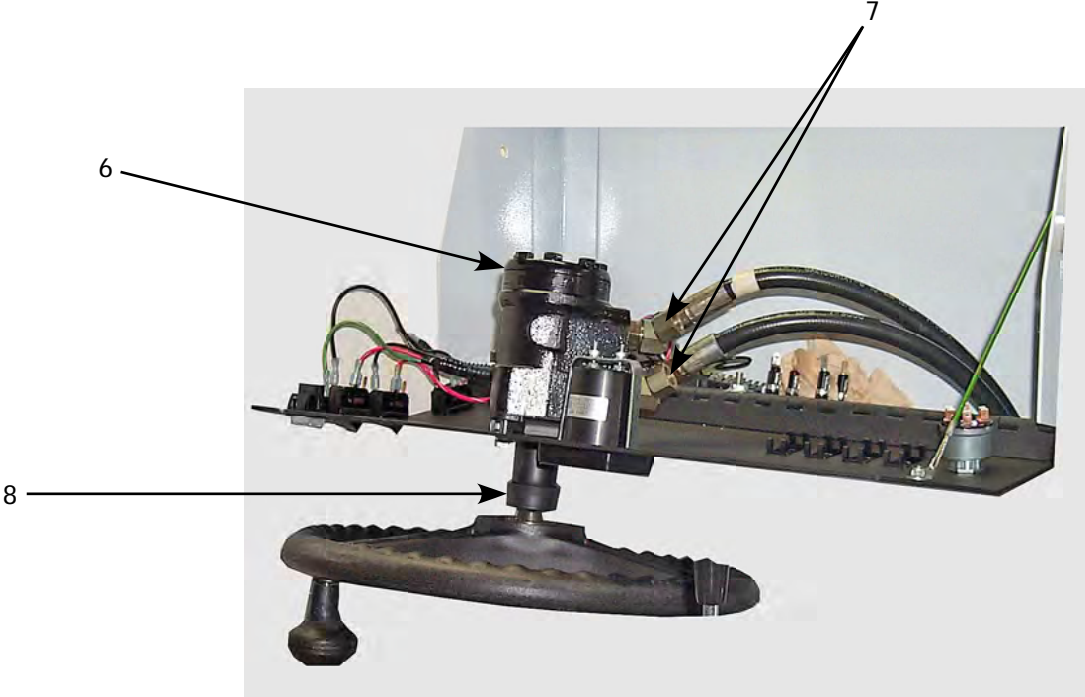
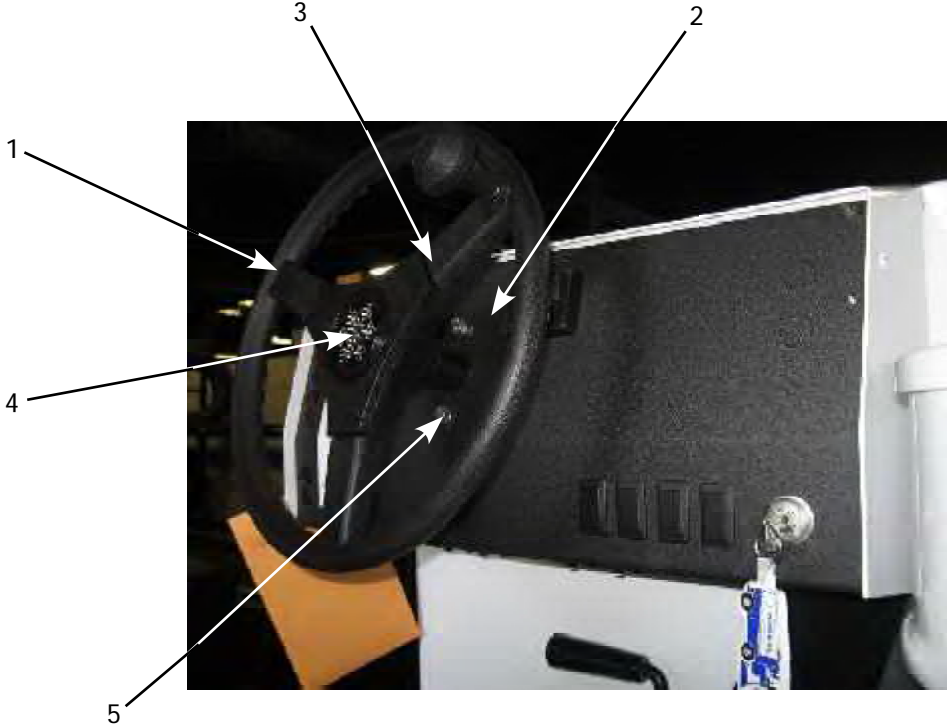
IND	PART NO	DESCRIPTION	QTY	SERIAL NO
BRAKE SYSTEM SCHEMATIC				
1	4M-31576	MASTER CYLINDER ONLY	1	7164 -
2	4M-40404	BRAKE LINE ADAPTER	1	7164 -
3	4M-40406	BRAKE LINE ADAPTER	1	7164 -
4	4P-34000	BRAKE LINE TUBE ASSY	1	7164 -
5	4P-34000	BRAKE LINE TUBE ASSY	1	7164 -
6	4R-40370	BRAKE CLIP	3	7164 -
7	4M-17580	BRAKE HOSE ASSY	1	7164 -
8	4M-40405	BRAKE COUPLING	2	7164 -
9	5T-73690	BRACKET	1	7164 -
10	3C-05254	GROMMET	1	7164 -
11	4M-40400	TEE, BRAKE LINE, 3/16	2	7164 -
12	5T-73680	BRACKET	1	7164 -
13	4P-32000	BRAKE LINE TUBE ASSY	1	7164 -
14	4P-32000	BRAKE LINE TUBE ASSY	1	7164 -
15	4P-35100	BRAKE LINE TUBE ASSY	1	7164 -
16	27-3000A	CLAMP	2	7164 -
17	4P-34000	BRAKE LINE TUBE ASSY	1	7164 -
18	4X-41180	GROMMET	2	7164 -
19	4M-40401	BRAKE LINE ADAPTER	1	7164 -
20	HA-19982	NUT, HEX 5/8-18	2	7164 -
21	5T-73685	BRACKET	1	7164 -
22	4P-32000	BRAKE LINE TUBE ASSY	1	7164 -
23	4P-32000	BRAKE LINE TUBE ASSY	1	7164 -
24	4M-17593	BRAKE HOSE ASSY	2	7164 -
25	4M-17592	BANJO BOLT, DISC BRAKE	2	7164 -
26	4M-17592	WASHER, BANJO BOLT	2	7164 -

FRONT BRAKES

N/S	1J-5526A	ROTOR, DISC BRAKE	2	7164 -
N/S	1J-05521	HUB & ROTOR ASSY, DISC BRAKES	2	7164 -
N/S	1J-05523	VALVE, BRAKE BLEEDER	1	7164 -
N/S	1J-05524	PRIMARY BRAKE LINING W/ CALIPER, RIGHT	1	7164 -
N/S	1J-05525	PRIMARY BRAKE LINING W/ CALIPER, LEFT	1	7164 -
N/S	1J-05526	SECONDARY BRAKE LINING, RIGHT	1	7164 -
N/S	1J-05527	SECONDARY BRAKE LINING, LEFT	1	7164 -
N/S	1J-0552C	SPRING, CALIPER SUPPORT	1	7164 -
N/S	1J-0552D	KEY, CALIPER SUPPORT	1	7164 -
N/S	1J-0552E	SCREW, CALIPER SUPPORT	1	7164 -
N/S	1J-05530	BRAKE PAD SET, FRONT	1	7164 -
N/S	1F-07622	SHIELD, BRAKE DUST, LEFT	1	7164 -
N/S	1F-07623	SHIELD, BRAKE DUST, RIGHT	1	7164 -

GROUP 1.4 STEERING SYSTEM GROUP

STEERING WHEEL

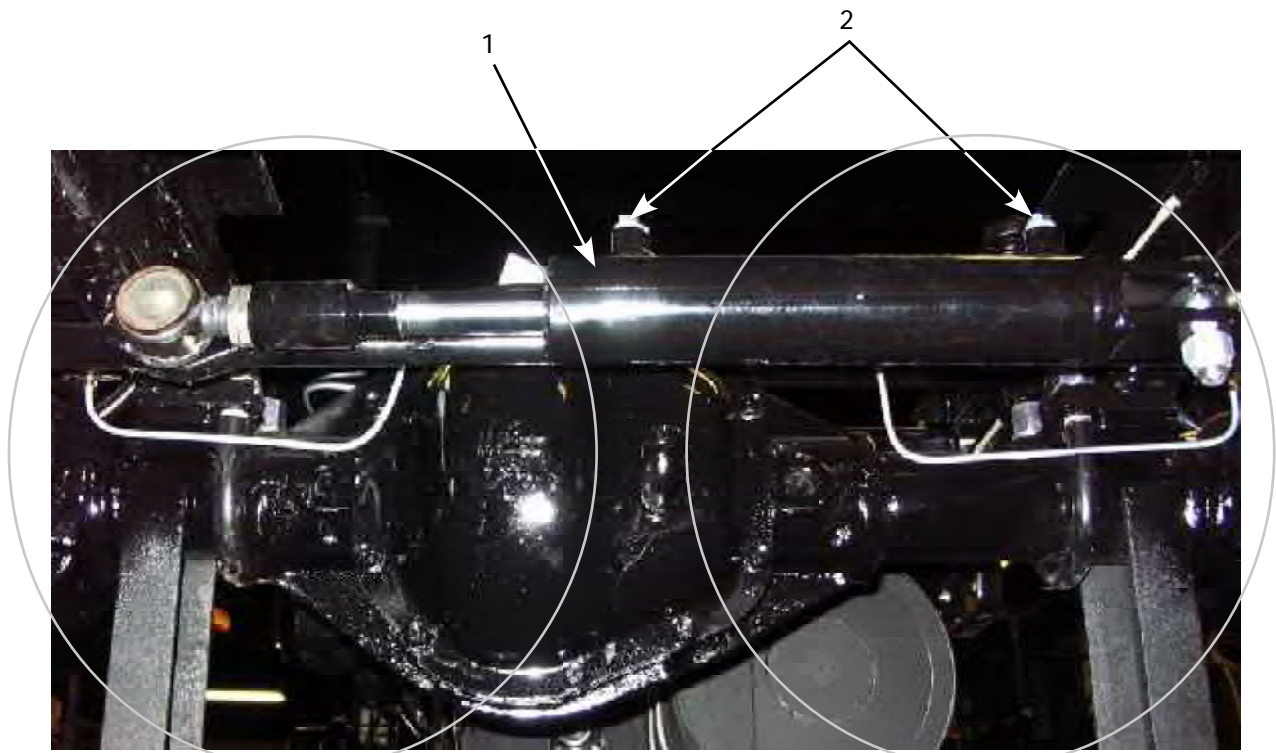


GROUP 1.4 STEERING SYSTEM GROUP

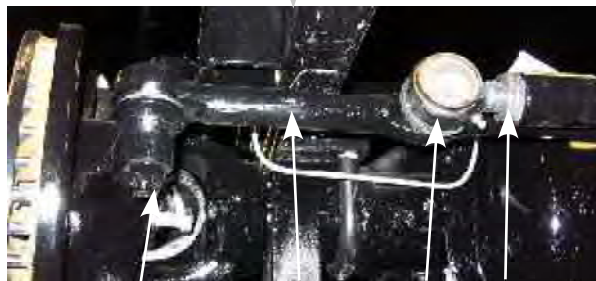
IND	PART NO	DESCRIPTION	QTY	SERIAL NO
STEERING WHEEL				
1	4C-05205	STEERING WHEEL	1	7164 -
N/S	HA-24982	NUT, STEERING WHEEL	1	7164 -
2	4C-05202	KNOB, STEERING WHEEL	1	7164 -
	HA-08017	BOLT, 5/16-18 X 2-1/4	1	7164 -
	HA-08981	LOCKNUT, 5/16-18	1	7164 -
3	4C-05201	CAP, STEERING WHEEL	1	7164 -
4	81-79700	DECAL, SNOW FLAKE	1	7164 -
5	HA-10013	SCREW, HEX HD, 3/8-16 X 1-1/4	2	7164 -
	HA-10862	LOCKWASHER, 3/8	4	7164 -
6	4C-05100	STEERING CONTROL	1	7164 -
7	F1-75040	ADAPTER	4	7164 -
8	4C-79980	STEERING COLUMN	1	7164 -

GROUP 1.4 STEERING SYSTEM GROUP (CONT'D)

STEERING CYLINDER AND TIE ROD ASSEMBLY



(VIEW FROM FRONT, UNDERNEATH)

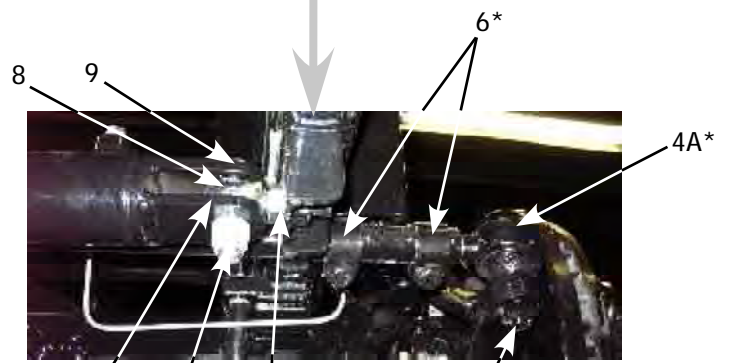


5*

3

4B

7



8

9

10

11

12

5*

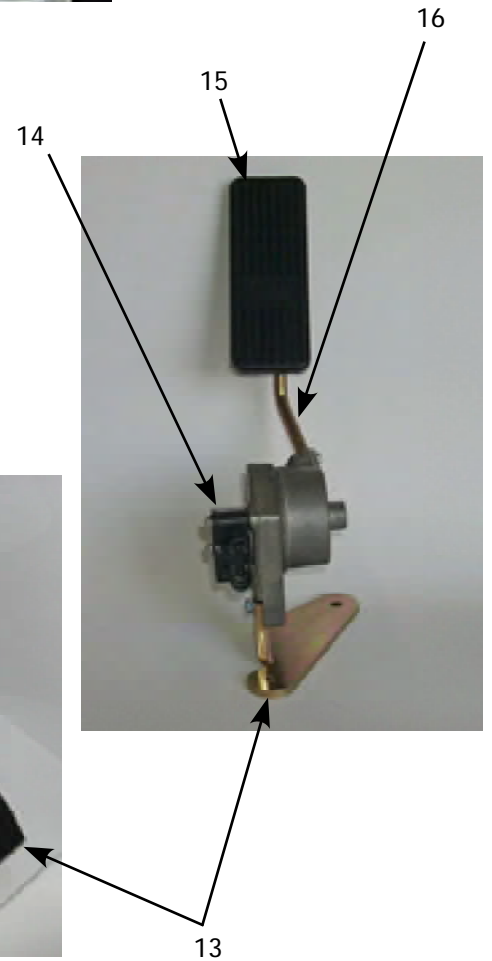
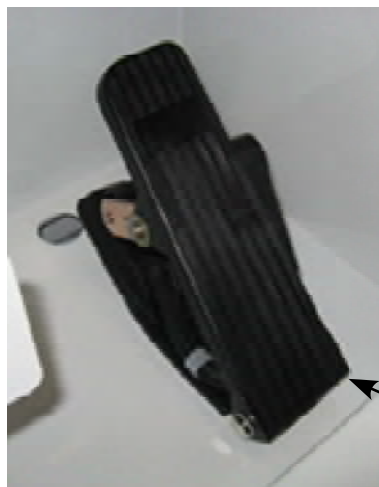
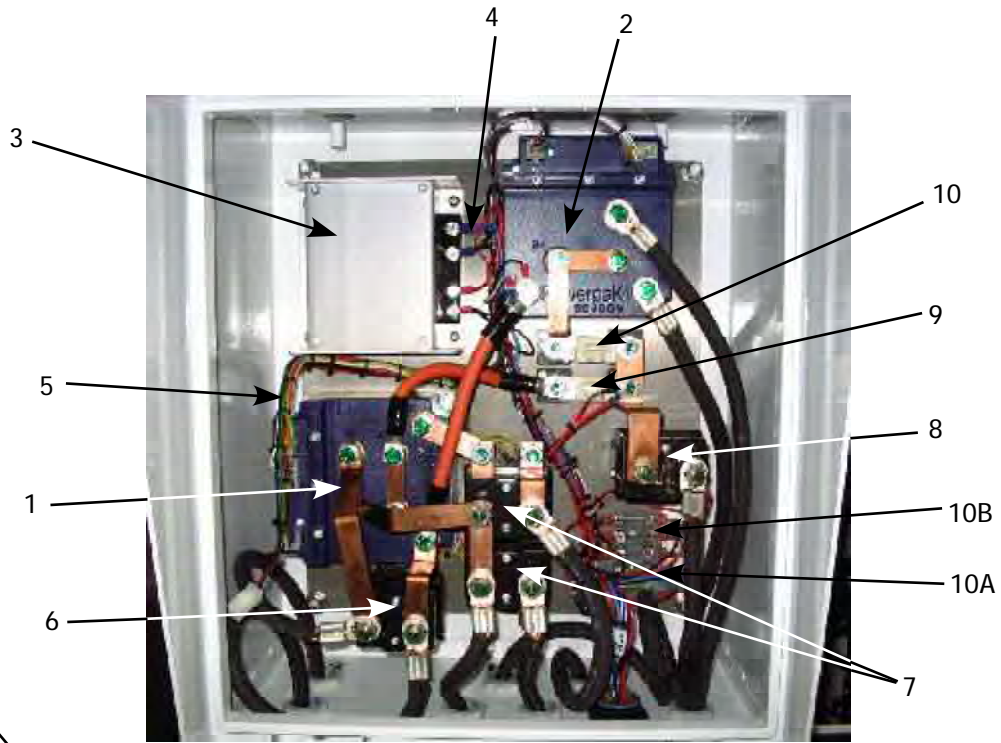
6*

4A*

GROUP 1.4 STEERING SYSTEM GROUP (CONT'D)

IND	PART NO	DESCRIPTION	QTY	SERIAL NO
<u>STEERING CYLINDER AND TIE ROD ASSEMBLY</u>				
1	2X-2008B	STEERING CYLINDER	1	7164 -
2	F2-69050	FITTING	2	7164 -
3	4D-18971	TIE ROD ASSY (INCLUDES ITEMS 4A*-1PC, 5*-2PCS, 6*-2PCS)	1	7164 -
4A*	4J-01000	BALL JOINT, 7/8-18	1	7164 -
4B	4J-01000	BALL JOINT, 7/8-18	1	7164 -
5*	HA-17985	HEX NUT, SLOTTED, 9/16-18	3	7164 -
N/S	HA-52712	COTTER PIN, 1/8 X 1-1/4	3	7164 -
6*	4D-01000	SLEEVE & CLAMP ASSY, TIE ROD	2	7164 -
7	HD-56981	NUT, HEX, 7/8-18	1	7164 -
8	4J-04040	ROD END	1	7164 -
9	HA-18018	SCREW, HEX HD, 5/8-11 X 2-1/2	1	7164 -
10	HA-18860	WASHER, FLAT, 5/8	1	7164 -
11	HA-18987	NUT, HEX, THIN, 5/8-11	1	7164 -
12	HA-19982	NUT, HEX, THIN, 5/8-18	1	7164 -

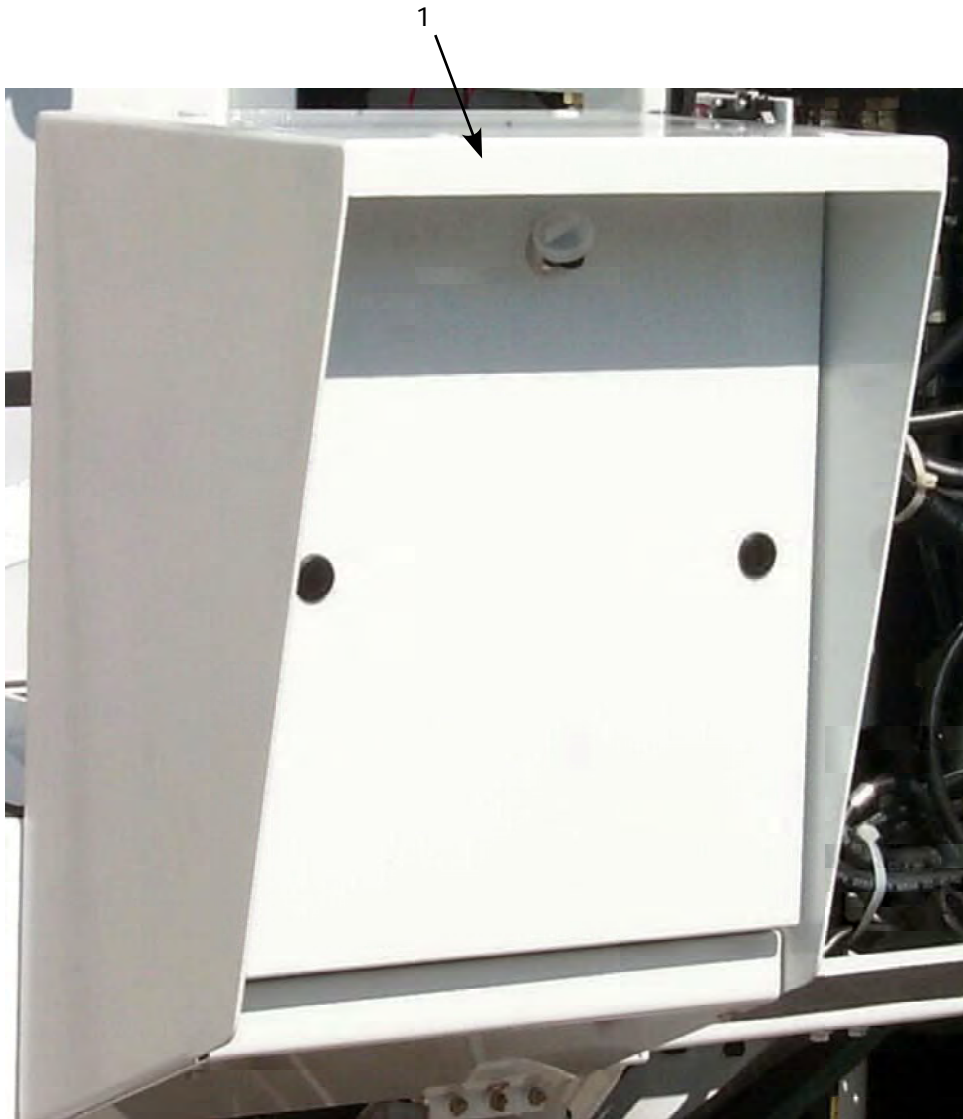
GROUP 2.1 SEVCON CONTROLLER GROUP



GROUP 2.1 SEVCON CONTROLLER GROUP

IND	PART NO	DESCRIPTION	QTY	SERIAL NO
	7T-55300	SEVCON CONTROLLER ASSEMBLY (TRACTION AND PUMP DRIVE)	1	7164 -
1	7T-55311	SEVCON CONTROLLER, TRACTION	1	7164 -
	7T-55312	LOGIC CARD, TRACTION	1	7164 -
	7T-55313	SEVCON CONTROLLER ONLY, TRACTION	1	7164 -
2	7T-55321	SEVCON CONTROLLER, PUMP	1	7164 -
	7T-55322	LOGIC CARD, PUMP	1	7164 -
	7T-55323	SEVCON CONTROLLER ONLY, PUMP	1	7164 -
3	79-8020A	CONVERTER, DC/DC	1, 2	7164 -
	7T-55208	HEAT SINK, OPTIONAL DC/DC CONVERTER	1	7164 -
4	7T-5530A	HEAT SINK, POWERPAK™ CONTROLLER ASSY	1	7164 -
5	7T-5530B	HARNESS ASSEMBLY	1	7164 -
6	7T-5530C	CONTACTOR, BYPASS	1	7164 -
	7T-5530K	KIT, CONTACTOR TIPS, LINE/BYPASS	1	7164 -
7	7T-5530D	CONTACTOR, DIRECTION	1	7164 -
	7T-5530L	KIT, CONTACTOR TIPS, FWD/REV	1	7164 -
8	7T-5530E	CONTACTOR, LINE	1	7164 -
	7T-5530K	KIT, CONTACTOR TIPS, LINE/BYPASS	1	7164 -
	7T-5530F	MOUNTING BRACKET, CONTACTOR	4	7164 -
	7T-5530Z	DIODE ASSEMBLY, SEVCON LINE CONTACTOR	1	7164 -
9	7T-5530H	FUSE, 300A	1	7164 -
10	7T-5530J	FUSE, 200A	1	7164 -
10A	78-5533A	FUSE, 20A	2	7164 -
10B	78-5533B	FUSE, 10A	3	7164 -
N/S	78-55330	FUSE HOLDER	1	7164 -
11	7P-5520G	DIRECTIONAL CONTROL SWITCH	1	7164 -
12	7T-5527P	DIRECTIONAL CONTROL SWITCH LOOM	1	7164 -
13	7P-55300	ACCELERATOR SWITCH, WILLIAMS	1	7164 - 8745
	7P-55350	ACCELERATOR SWITCH, SEVCON	1	8746 -
14	7P-55310	SENSOR, ACCELERATOR SWITCH	1	7164 - 8745
15	7P-55311	PEDAL, WILLIAMS	1	7164 - 8745
16	7P-55312	LEVER	1	7164 - 8745
	1L-55300	SPRING, ACCELERATOR PEDAL	1	7164 - 8745
	7P-55314	PIN, ACCELERATOR PEDAL	1	7164 - 8745
17	7K-5520B	DISPLAY GAUGE, SEVCON	1	7164 -

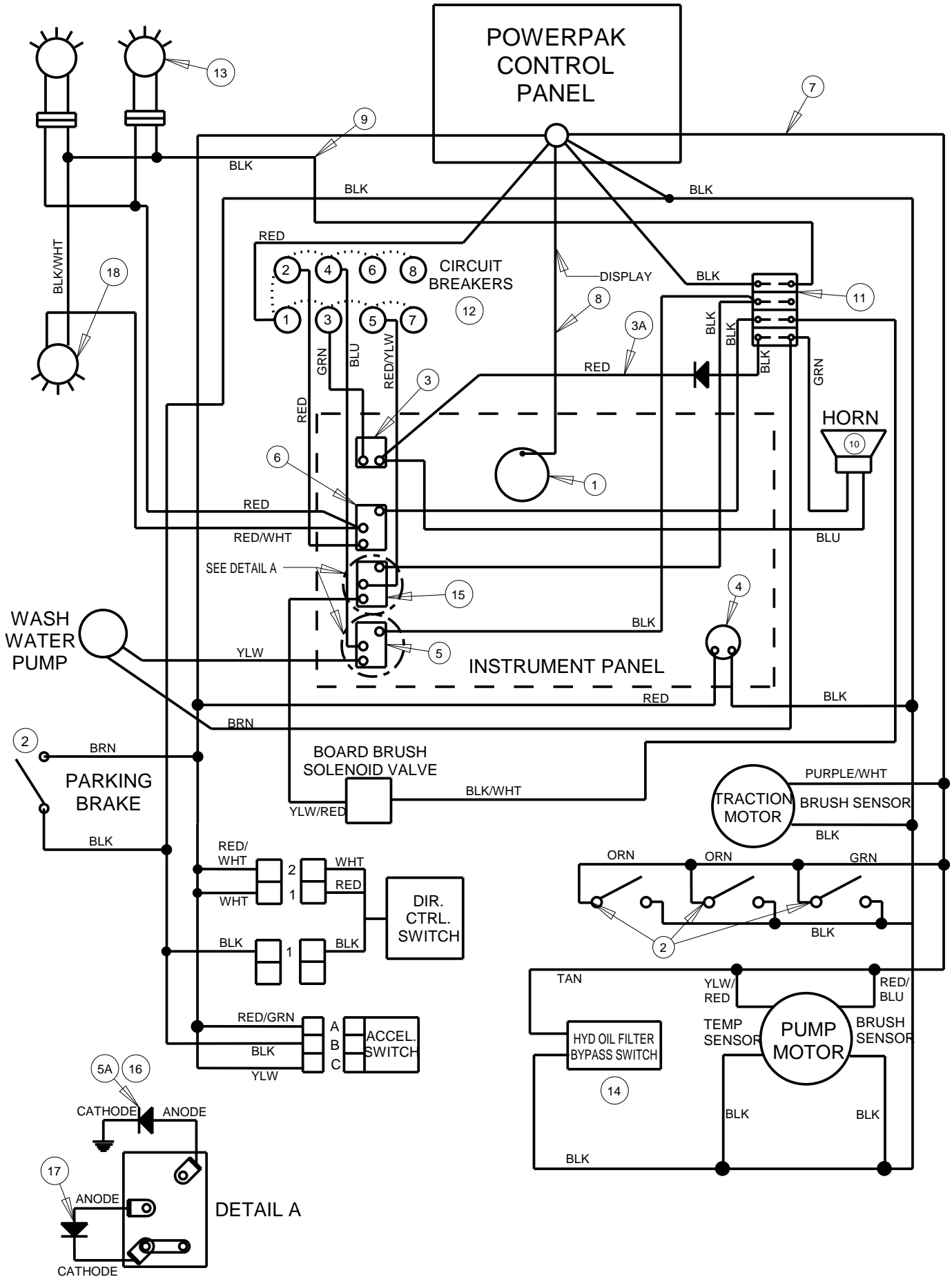
GROUP 2.2 ENCLOSURE GROUP



GROUP 2.2 ENCLOSURE GROUP

IND	PART NO	DESCRIPTION	QTY	SERIAL NO
1	7H-05520	SEAT ENCLOSURE	1	7164 -
	7P-04420	KEY, SEVCON CONTROL BOX , PICO	1	7164 - 9360
	7P-04422	KEY, SEVCON CONTROL BOX, SPAN	1	9361 -
	47-1552K	LATCH, KEYED	1	7164 -
	47-1552L	LATCH, 1/4 TURN	2	7164 -
	47-1552H	HINGE, ENCLOSURE	2	9361 -

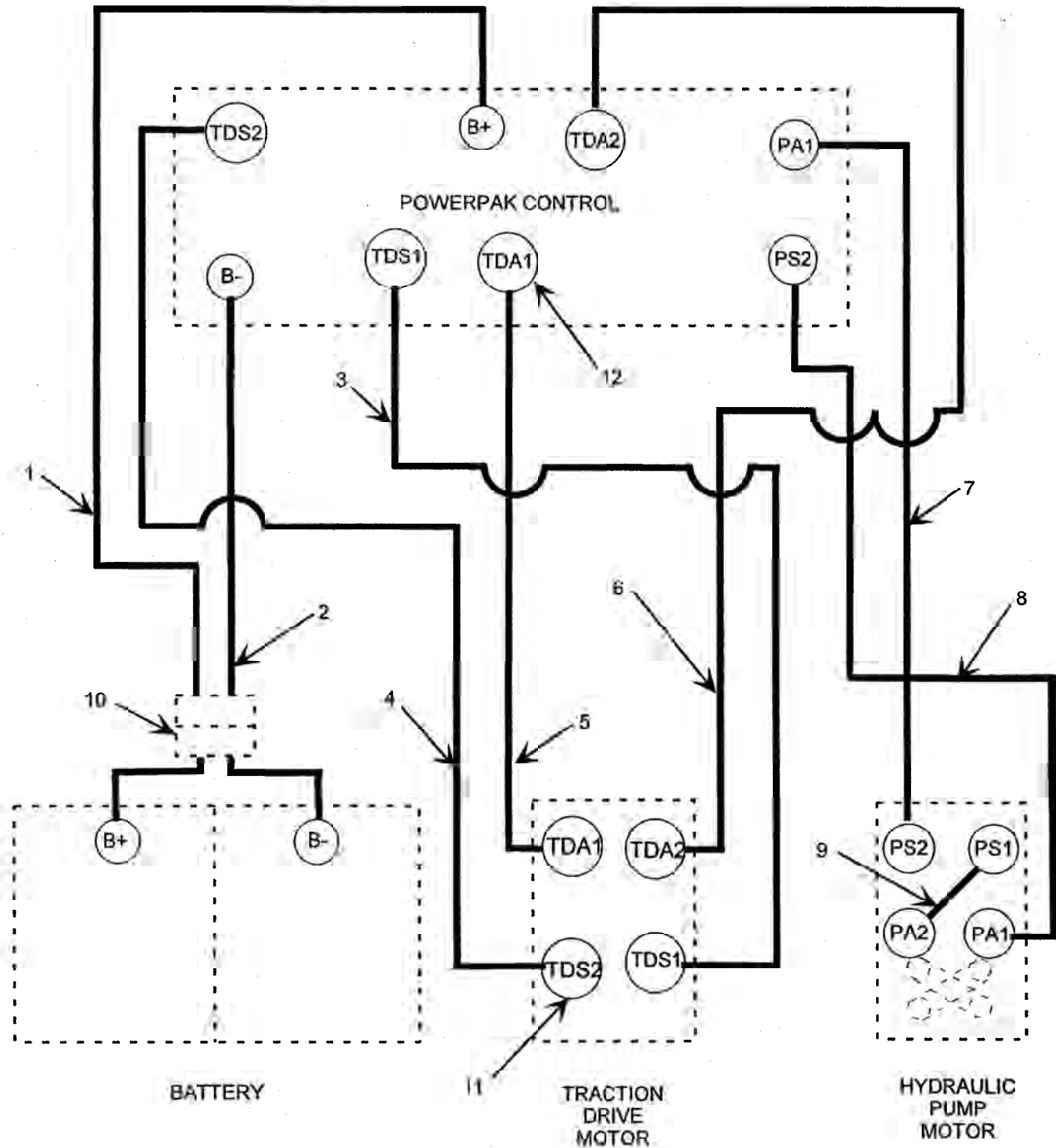
GROUP 2.3 ELECTRIC CONTROL GROUP



GROUP 2.3 ELECTRIC CONTROL GROUP

IND	PART NO	DESCRIPTION	QTY	SERIAL NO
1	7K-5520B	DISPLAY GAUGE, SEVCON	1	7164 -
2	7P-0502A	LIMIT SWITCH	4	7164 -
3	7P-76369	HORN SWITCH	1	7164 -
3A	78-77547	DIODE, COIL SUPPRESSOR, HORN	1	7164 -
4	7P-04400	IGNITION SWITCH	1	7164 -
	7P-04410	IGNITION KEY, BLANK	1	7164 -
5	7P-77261	WATER PUMP SWITCH	1	7164 -
5A	78-77540	POWER SURGE, WATER PUMP SWITCH	1	7164 -
6	7P-77262	HEADLIGHT SWITCH	1	7164 -
7	7T-55310	CONTROL LOOM, SEVCON CONTROLLER	1	7164 - 8745
	7T-55330	CONTROL LOOM, SEVCON CONTROLLER & PEDAL	1	8746 - 10657
	7T-55340	CONTROL LOOM, SEVCON + NETGAIN MOTOR	1	10658 -
8	7T-55320	DISPLAY LOOM, SEVCON CONTROLLER	1	7164 -
9	7T-5520E	12 VOLT MACHINE LOOM	1	7164 -
N/S	7T-5528A	IN-DASH WIRING LOOM	1	7164 -
N/S	7T-5520M	HEADLIGHT PLUG LOOM	2	7164 - 9420
	7T-5520N	HEADLIGHT PLUG LOOM	2	9421 -
10	7X-10421	HORN	1	7164 -
11	71-05010	TERMINAL BLOCK ASSEMBLY	1	7164 -
	75-0994C	TERMINAL	10	7164 -
	75-0999F	TERMINAL	2	7164 -
12	78-77420	FUSE HOLDER	8	7164 - 8737
	78-77520	FUSE, 20 AMP FUSE (#1)	1	7164 - 8737
	78-77530	FUSE, 10 AMP FUSES (#2 THRU #8)	7	7164 - 8737
	78-77570	CIRCUIT BREAKER, 20 AMP (#1)	1	8738 - 10266
		(#1 THRU #2)	2	10267 -
	78-77560	CIRCUIT BREAKER, 10 AMP (#2 THRU #8)	7	8738 - 10266
		(#3 THRU #8)	6	10267 -
	75-1826B	FUSE JUMPER LOOM, DASH	1	7164 -
13	KZ-17980	KIT, RETROFIT, HEADLIGHT, PLASTIC HOUSING	1	7164 - 9361
	7L-17982	HEADLIGHT, PLASTIC HOUSING, RETROFIT	2	7164 - 9361
	7L-17981	HEADLIGHT, PLASTIC HOUSING	2	9362 -
	7L-17990	BULB	2	9362 -
14	3R-5522B	HYDRAULIC FILTER BYPASS SWITCH	1	7164 - 10600
	N/A	N/A	0	10601 -
15	7P-77262	BOARD BRUSH SWITCH	1	7164 -
16	3E-0262D	POWER SURGE, BOARD BRUSH SWITCH	2	7164 -
17	78-77545	DIODE, COIL SUPPRESSOR, BOARD BRUSH & WATER PUMP	2	7164 -
18	7L-17780	TAIL LIGHT	1	7164 -

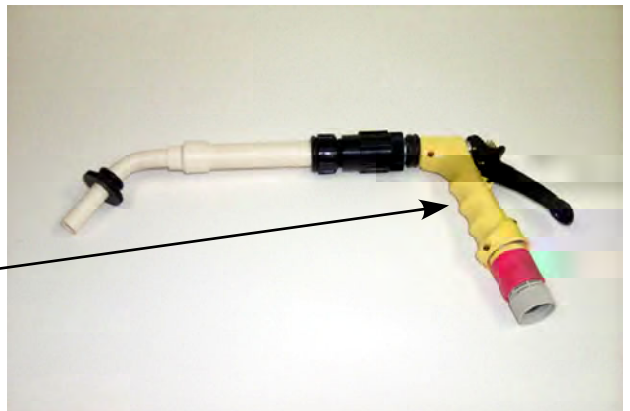
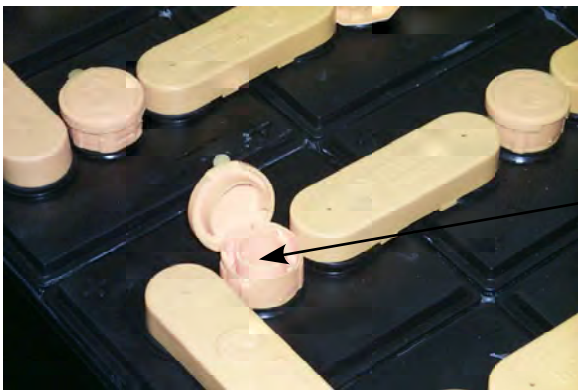
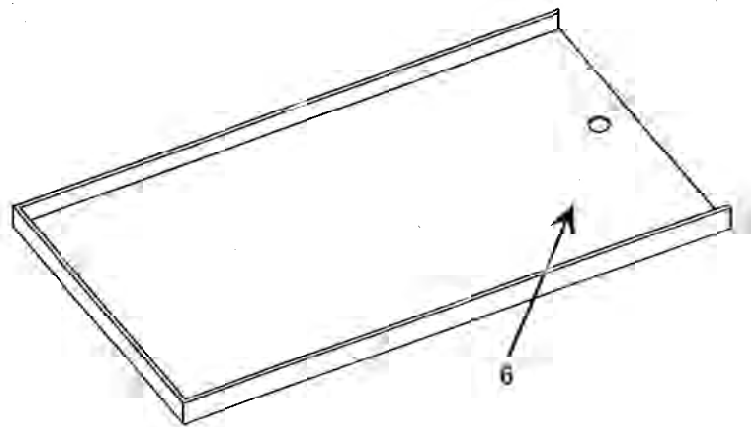
GROUP 2.4 POWER CABLES GROUP



GROUP 2.4 POWER CABLES GROUP

IND	PART NO	DESCRIPTION	QTY	SERIAL NO
1	75-0553A	POWER CABLE	1	7164 -
2	75-0553B	POWER CABLE	1	7164 -
3	75-0553C	POWER CABLE	1	7164 -
4	75-0553D	POWER CABLE	1	7164 -
5	75-0553E	POWER CABLE	1	7164 -
6	75-0553F	POWER CABLE	1	7164 -
7	75-0553G	POWER CABLE	1	7164 -
8	75-0553H	POWER CABLE	1	7164 -
9	75-0552R	BUSS BAR, JUMPER PLATE	1	7164 -
10	7T-55230	POWER CABLE CONNECTOR (SB-350)	1	7164 -
11	75-55305	CABLE BOOT	8	7164 -
12	7T-5522C	CABLE SEAL W/DOME NUT	8	7164 -

GROUP 2.5 BATTERY GROUP



GROUP 2.5 BATTERY GROUP

IND	PART NO	DESCRIPTION	QTY	SERIAL NO
1	77-55200	BATTERY SYSTEM, HAWKER, 600AH	1	7164 -
	77-55300	BATTERY SYSTEM, HAWKER, 600AH	1	7164 -
2	5T-55210	FRONT BATTERY BRACE	1	7164 -
	HA-14014	SCREW, HEX HD, 1/2-13 X 1-1/2	2	7164 -
	HA-14986	NUT, TRI-LOCK, 1/2-13	2	7164 -
3	3F-91030	BRACKET, POWER CONNECTOR (SB-350)	1	7164 -
	HA-06011	SCREW, HEX HD, 1/4-20 X 1	2	7164 -
	HA-06860	FLAT WASHER, 1/4-20	2	7164 -
	HA-06862	LOCK WASHER, 1/4-20	2	7164 -
4	7T-55226	MANUAL RELEASE, LOCKING HALF	1	7164 -
5	7T-55227	MOUNTING HALF PLATE	1	7164 -
6	5T-09000	BATTERY TRAY	1	7164 -
7	77-55225	FLIP TOP CAP	40	7164 -
8	77-55226	WATERING GUN	1	7164 -

GROUP 3.1 HYDRAULIC OIL TANK GROUP

**BALDOR
GEN1**



1A



1B

**BALDOR
GEN2**



1C

**1CA
(BACKSIDE)**

NETGAIN

GROUP 3.1 HYDRAULIC OIL TANK GROUP

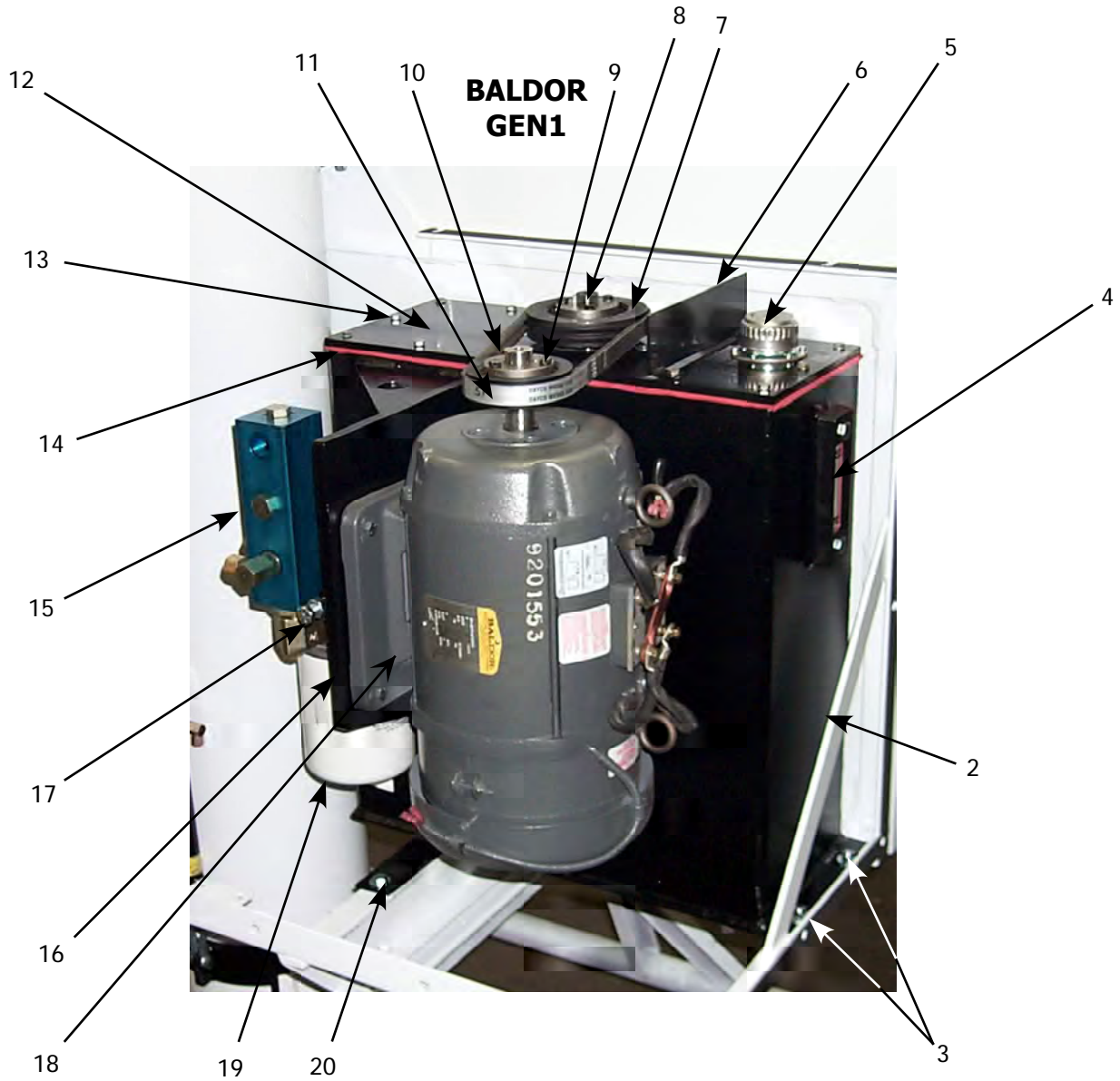
IND	PART NO	DESCRIPTION	QTY	SERIAL NO
<u>ELECTRIC PUMP MOTOR</u>				
1A	2L-5521R	ELECTRIC MOTOR, BALDOR GEN1	1	7164 - 9583
	KZ-95520	KIT, ELEC MOTOR FIELD REPLACEMENT, GEN2	1	7164 - 9583
	KZ-95521	KIT, ELEC MOTOR FIELD REPLACEMENT, NETGAIN	1	7164 - 9583
N/S	KZ-55228*	KIT, BRUSH REPLACEMENT, BALDOR GEN1	1	7164 - 9583
1B	2L-5525B	ELECTRIC MOTOR, BALDOR GEN2, W/ MOUNT	1	9584 - 9952 9954 - 9956, 9958 - 9959, 9961 - 9963, 9965, 9973 - 9977, 9980 - 9981
	2L-5525A	ELECTRIC MOTOR, BALDOR GEN2, W/O MOUNT	1	SEE S/NS ABOVE
	7F-15526	BAR, REAR ADAPTER, BALDOR REPLACEMENT	1	SEE S/NS ABOVE
	7F-15527	BAR, FRONT ADAPTER, BALDOR REPLACEMENT	1	SEE S/NS ABOVE
N/S	KZ-55229*	KIT, BRUSH REPLACEMENT, BALDOR GEN2	1	SEE S/NS ABOVE
1C	2L-5525C***	ELECTRIC MOTOR, PUMP, NETGAIN	1	9953, 9957, 9960, 9964 9966 - 9972, 9978 - 9979 9982 -
N/S	KZ-55232* **	KIT, BRUSHES V.2, NETGAIN PUMP MOTOR	1	SEE S/NS ABOVE
1CA	75-5525C	LOOM, BRUSH WEAR SENSOR, NETGAIN	1	"

* ALL BRUSH CHANGEOUT KITS CONTAIN MOTOR-SPECIFIC BRUSHES, POLISHING STONES, AND INSTRUCTIONS

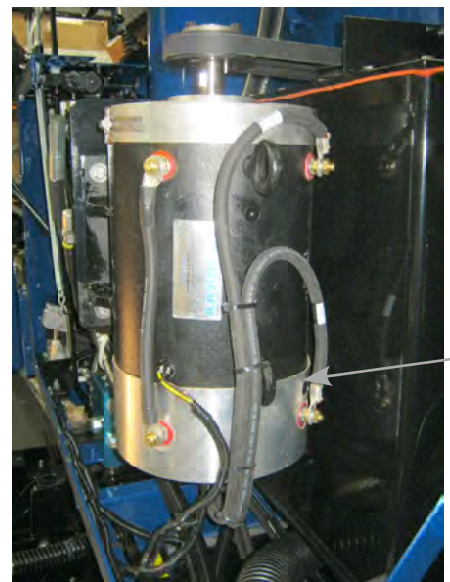
** KZ-55232 REPLACED KZ-55230 IN 2015

*** NETGAIN PUMP MOTORS STARTED SHIPPING WITH V.2 BRUSHES @ MOTOR S/N Z0000407+

GROUP 3.1 HYDRAULIC OIL TANK GROUP



**BALDOR
GEN2**



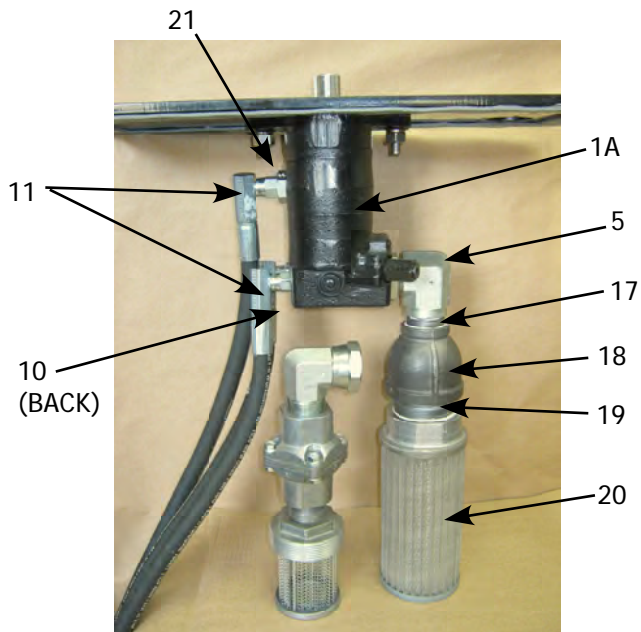
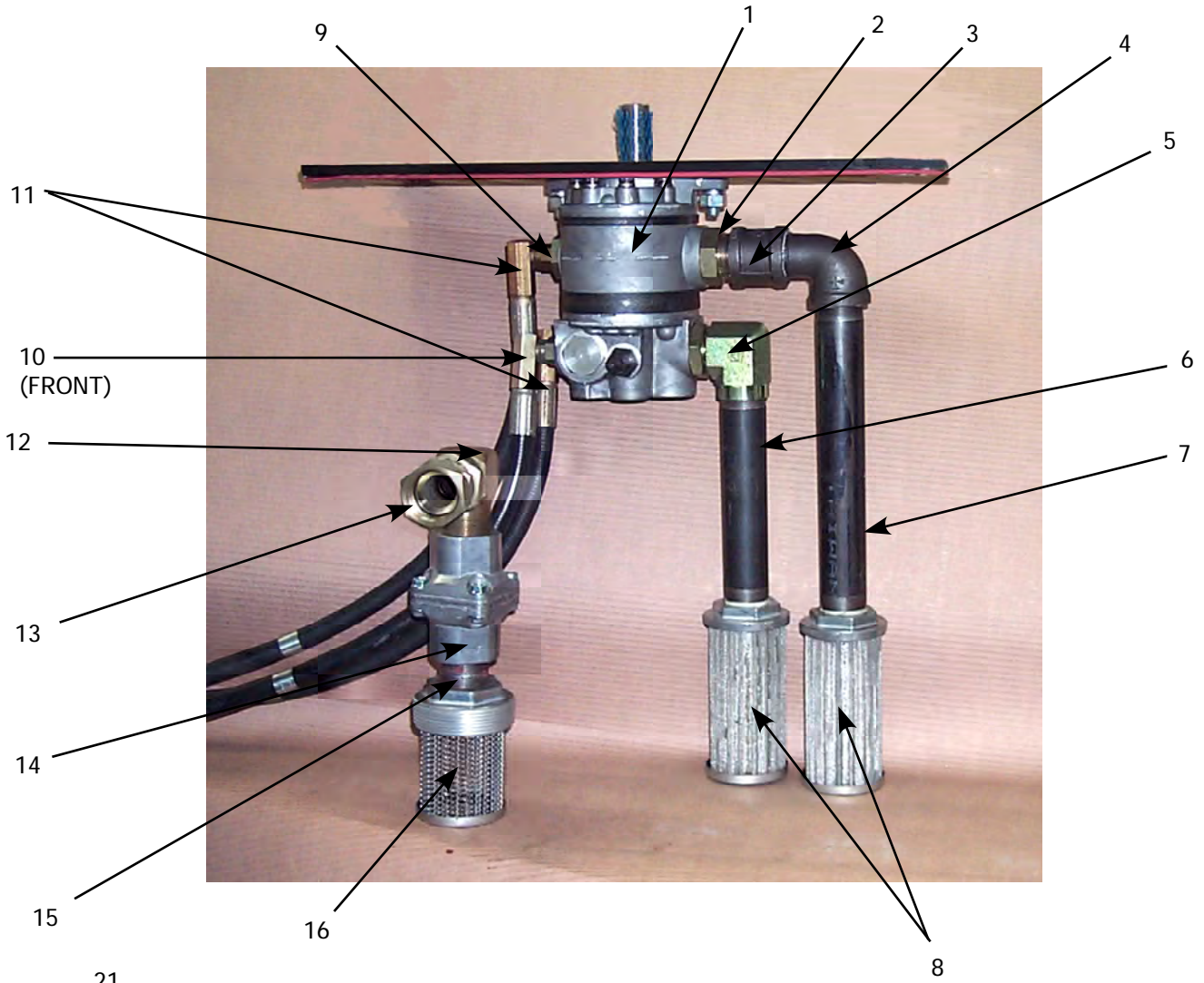
NETGAIN

GROUP 3.1 HYDRAULIC OIL TANK GROUP**HYDRAULIC OIL TANK ASSEMBLY**

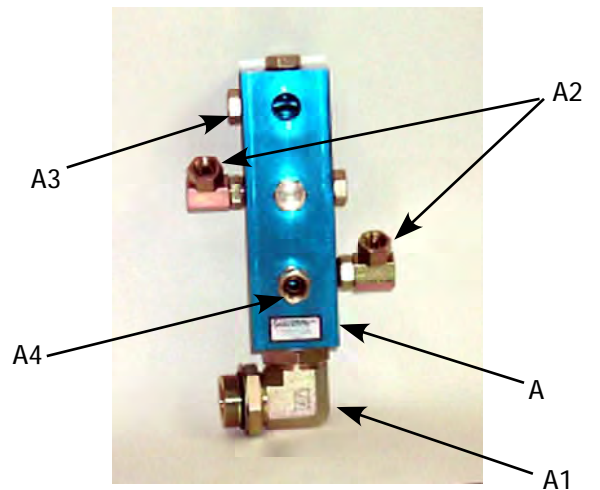
2	7A-0555A	HYDRAULIC OIL TANK	1	7164 -
3	HA-10011	SCREW, HEX HD, 3/8-16 X 1	3	7164 -
	HA-10860	WASHER, FLAT, 3/8-16	3	7164 -
	HA-10981	LOCKNUT, 3/8	3	7164 -
4	7K-15740	GAUGE, HYDRAULIC OIL LEVEL	1	7164 -
5	7D-6841B	FILL CAP	1	7164 -
N/S	HA-04704	SCREW, FILL HD, 10-32 X 3/8	6	7164 -
6	7A-0553S	GUARD	1	7164 -
7	41-43530	SHEAVE	1	7164 -
8	43-73380	BUSHING	1	7164 -
9	41-42010	BUSHING	1	7164 -
10	41-43510	SHEAVE	1	7164 -
11	42-75470	BELT, DOUBLE	1	7164 -
12	7A-0553Z	TANK TOP PLATE	1	7164 -
13	HA-0601A	SCREW, HEX HD, 1/4-20 X 3/4	14	7164 -
N/S	3L-2000A	SEALING WASHER	14	7164 -
14	2D-05108	SEAL, TANK TOP PLATE	1	7164 -
15	7A-15870	MANIFOLD, HYDRAULIC OIL RETURN	1	7164 -
16	7A-0554A	ASSEMBLY, MOTOR ADJUSTMENT PLATE	1	7164 -
17	HA-1421A	SCREW, HEX HD. 1/2-20 X 3	1	7164 -
N/S	HD-15981	NUT, HIGH HEX, 1/2-20	1	7164 -
18	HA-10017	SCREW, HEX HD, 3/8-16 X 2-1/4	4	7164 -
N/S	HA-10862	LOCKWASHER, 3/8	4	7164 -
N/S	HA-10980	NUT, HEX. 3/8-16	4	7164 -
19	3R-55220	FILTER ASSEMBLY, O-RING PORTS	1	7164 -
N/S	3R-5522B	FILTER PRESSURE SWITCH	1	7164 - 10600
N/S	3R-5522C	FILTER ELEMENT ONLY	1	7164 -
20	HA-10013	SCREW, HEX HD, 3/8-16 X 1-1/4	1	7164 -
	HA-10860	WASHER, FLAT, 3/8	1	7164 -
	HA-10981	LOCKNUT, 3/8-16	1	7164 -

GROUP 3.1 HYDRAULIC OIL TANK GROUP (CONT'D)

HYDRAULIC OIL TANK (INSIDE)



HYDRAULIC OIL RETURN MANIFOLD



GROUP 3.1 HYDRAULIC OIL TANK GROUP (CONT'D)

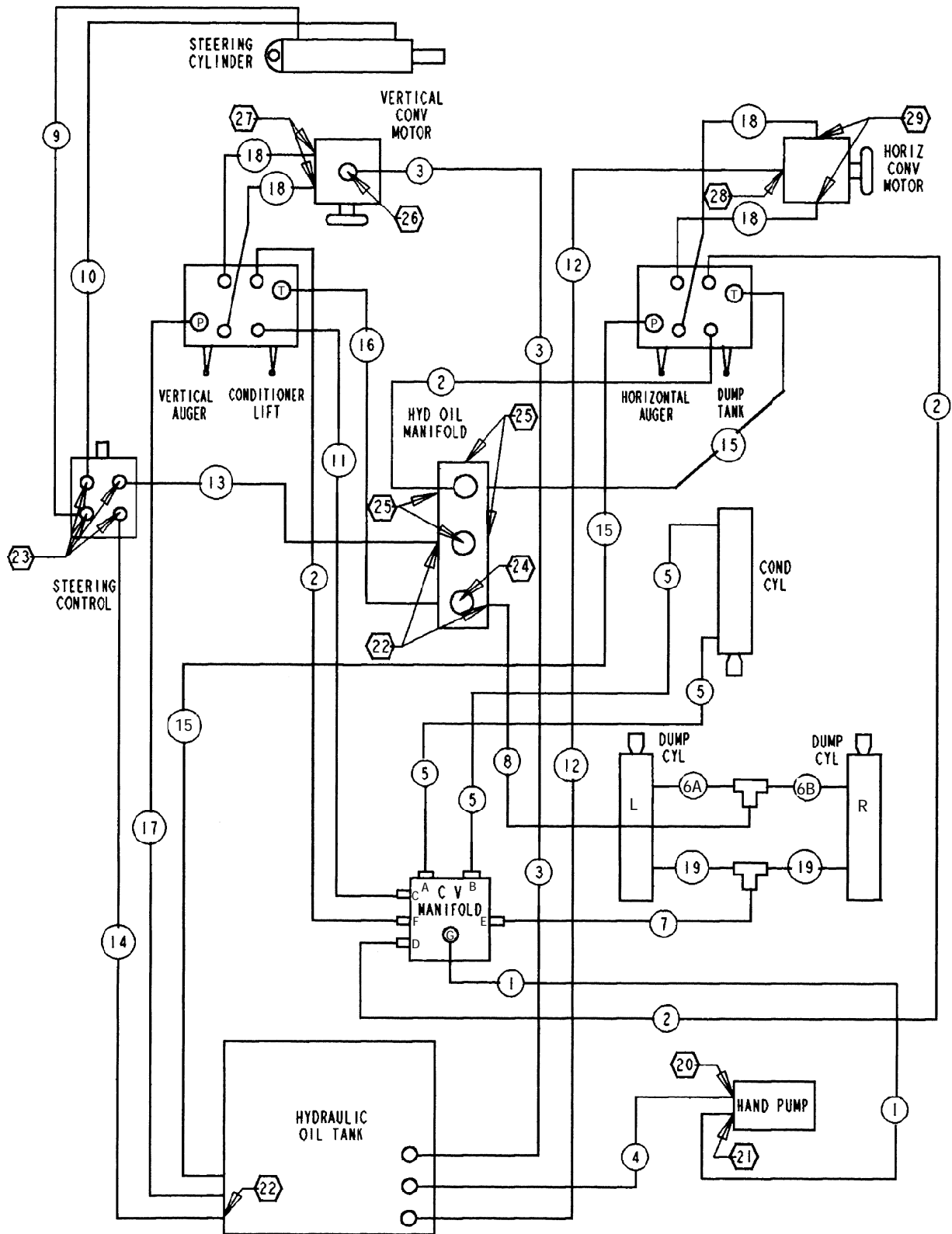
IND	PART NO	DESCRIPTION	QTY	SERIAL NO
<u>HYDRAULIC OIL TANK ASSEMBLY (INSIDE)</u>				
1	2P-5520A	PUMP, HYDRAULIC, 750 PSI, 4 GPM, SAUER (WITHOUT FACTORY INSTALLED BOARD BRUSH)	1	7164 -
	2P-5520B	PUMP, HYDRAULIC, 1500 PSI, 3 GPM, SAUER (WITH SOLENOID ACTIVATED BOARD BRUSH)	1	7164 - 9951, 9953
	2F-5520B	SHAFT SEAL, 2P-5520A/B	1	7164 - 9951, 9953
	KZ-55250*	KIT, PUMP REPLACEMENT	1	7164 - 9951, 9953
1A	2P-5525B	PUMP, HYDRAULIC, 1500 PSI, 3GPM, TUROLLA (WITH SOLENOID ACTIVATED BOARD BRUSH)	1	9952, 9954 -
	2P-5525A	PUMP, HYDRAULIC, 800 PSI, 3GPM, TUROLLA (WITHOUT FACTORY INSTALLED BOARD BRUSH)	1	9954 -
	2P-5525C	SHAFT SEAL, 2P-5525B/A	1	9952, 9954 -
	2D-05110	GASKET, PUMP MOUNT	1	7164 -
2	F1-62570	ADAPTER	1	7164 -
3	FD-13320	COUPLING	1	7164 -
4	FD-04310	ELBOW	1	7164 -
5	F1-69440	ELBOW	1	7164 -
6	FD-0132F	NIPPLE	1	7164 -
7	FD-0132W	NIPPLE	1	7164 -
8	3R-5521B	STRAINER	2	7164 -
9	F1-64100	STRAIGHT REDUCER	1	7164 -
10	PM-5184D	HYD HOSE, 1/2 X 38	1	7164 -
11	PM-5184C	HYD HOSE, 1/2 X 38	2	7164 -
12	F3-69950	ELBOW	1	7164 -
13	F3-64500	ADAPTER	1	7164 -
14	2V-50031	CHECK VALVE	1	7164 -
15	FD-0131A	NIPPLE	1	7164 -
16	3R-5520A	DIFFUSER	1	7164 -
N/S	FD-18220	PLUG, MAGNETIC, 3/4	1	7164 -
17	FD-0131A	NIPPLE, 1-1/4"	1	9952, 9954 -
18	FD-14350	REDUCING COUPLING	1	9952, 9954 -
19	FD-0146A	NIPPLE, 2-1/2"	1	9952, 9954 -
20	3R-5521C	STRAINER	1	9952, 9954 -
21	F1-56120	ADAPTER	1	9952, 9954 -

*KZ-55250 - KIT, PUMP REPLACEMENT INCLUDES ITEMS 1A, 17, 18, 19, 20, 21.
ITEM 5 IS REUSED FROM OLD PUMP

HYDRAULIC OIL RETURN MANIFOLD

A	7A-15870	MANIFOLD, HYDRAULIC OIL RETURN	1	7164 -
A1	F1-67850	ELBOW	1	7164 -
A2	F1-69050	ELBOW	2	7164 -
A3	F1-18040	PLUG	4	7164 -
A4	F1-64330	ADAPTER	1	7164 -

GROUP 3.2 HYDRAULIC HOSE GROUP



GROUP 3.2 HYDRAULIC HOSE GROUP

IND	PART NO	DESCRIPTION	QTY	SERIAL NO
1*	PM-1072C	HOSE, 1/4 X 18	1	7164 -
2*	PM-3132C	HOSE, 3/8 X 33	3	7164 -
3*	PM-3260A	HOSE, 3/8 X 65	1	7164 - 8280, 8289 - 8293, 9565 -
	KZ-72370***	KIT, VERTICAL AUGER CASE DRAIN	1	8281 - 8288, 8294 - 9564
4*	PM-1109A	HOSE, 1/4 X 25	1	7164 -
5*	PM-1144D	HOSE, 1/4 X 36	2	7164 -
6A*	PM-1200B	HOSE, 1/4 X 50	1	7164 - 7457
	P6-1248B	HOSE, 3/8 X 62	1	7458 -
6B*	PM-1200B	HOSE, 1/4 X 50	1	7164 - 7457
	P6-1200B	HOSE, 3/8 X 50	1	7458 -
7*	PM-1464B	HOSE, 1/4 X 116	1	7164 -
8*	PM-1508B	HOSE, 1/4 X 127	1	7164 - 7457
	P6-1508B	HOSE, 3/8 X 127	1	7458 -
9*	PM-1692B	HOSE, 1/4 X 168	1	7164 -
10*	PM-1705B	HOSE, 1/4 X 178	1	7164 -
11*	PM-3136E	HOSE, 3/8 X 34	1	7164 -
12*	PM-3153A	HOSE, 3/8 X 30	1	7164 -
13*	PM-3252B	HOSE, 3/8 X 63	1	7164 -
14*	PM-3304B	HOSE, 3/8 X 76	1	7164 -
15*	PM-4116C	HOSE, 1/2 X 29	2	7164 -
16*	PM-4124C	HOSE, 1/2 X 31	1	7164 -
17*	PM-4148B	HOSE, 1/2 X 37	1	7164 -
		(PM-4148B IS STILL USED WITH THE AUTOMATIC SNOW BREAKER OPTION)		
	PM-4160E	HOSE, 1/2 X 40	1	7164 -
		(PM-4160E IS NOT USED WITH THE AUTOMATIC SNOW BREAKER OPTION. IT IS REPLACED BY PM-4148B)		
18*	PM-4260B	HOSE, 1/2 X 65	4	7164 -
19*	PM-1176F	HOSE, 1/4 X 44	2	7164 -
20**	F2-69040	FITTING	1	7164 -
21**	F2-69290	FITTING	1	7164 -
22**	F1-69050	ELBOW	3	7164 -
23**	F1-75040	ELBOW	4	7164 -
24**	F1-64330	ADAPTER	1	7164 -
25**	F1-18040	PLUG	4	7164 -
26**	F1-69080	FITTING	1	7164 - 8280, 8289 - 8293
	F1-18010	PLUG	1	8281 - 8288, 8294 - 9564
	F1-69015	ELBOW	1	9565 - 10011
	F1-69030	ELBOW	1	10012 -
27**	F1-69110	ELBOW	1	7164 - 10011
	F1-69090	ELBOW	1	10012 -
28**	F2-64070	FITTING	1	7164
	F1-64300	ADAPTER	1	7165 -
29**	F2-69130	ELBOW	1	7164
	F1-69090	ELBOW	1	7165 -

* = HYDRAULIC HOSES

** = HYDRAULIC FITTINGS

*** = KIT INCLUDES ITEM #26 ELBOW

GROUP 3.3 HYDRAULIC CONTROL VALVES AND HAND PUMP GROUP

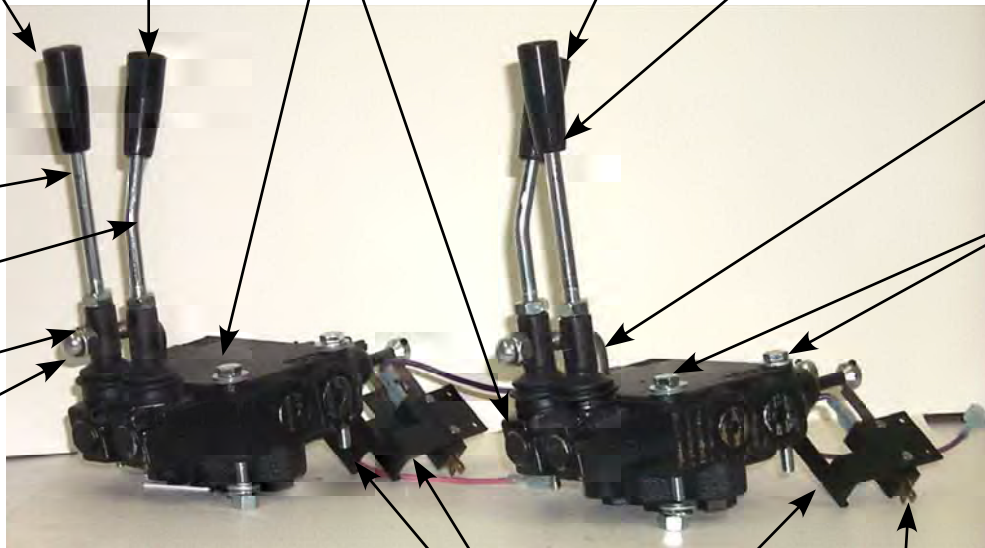


Vertical Conveyor Hydraulic Motor

Dump Tank Hydraulic Cylinder

Conditioner Lift Hydraulic Cylinder

Conditioner Hydraulic Motor



2

3

4

5

1

9

8

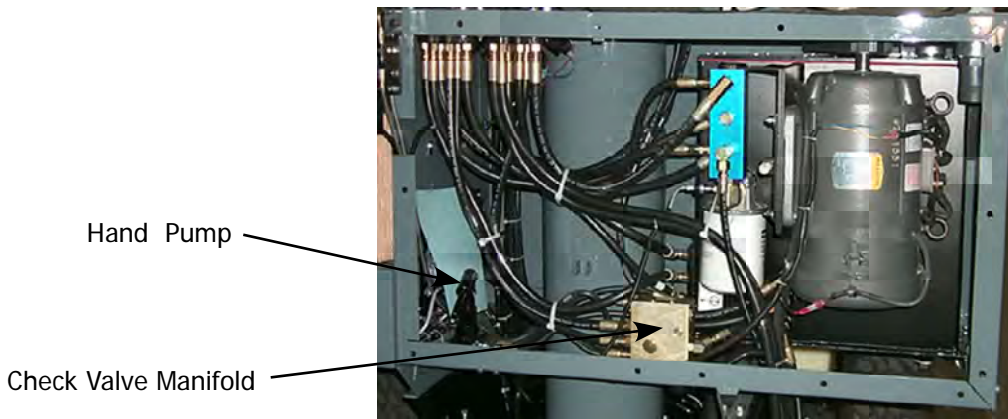
6

7

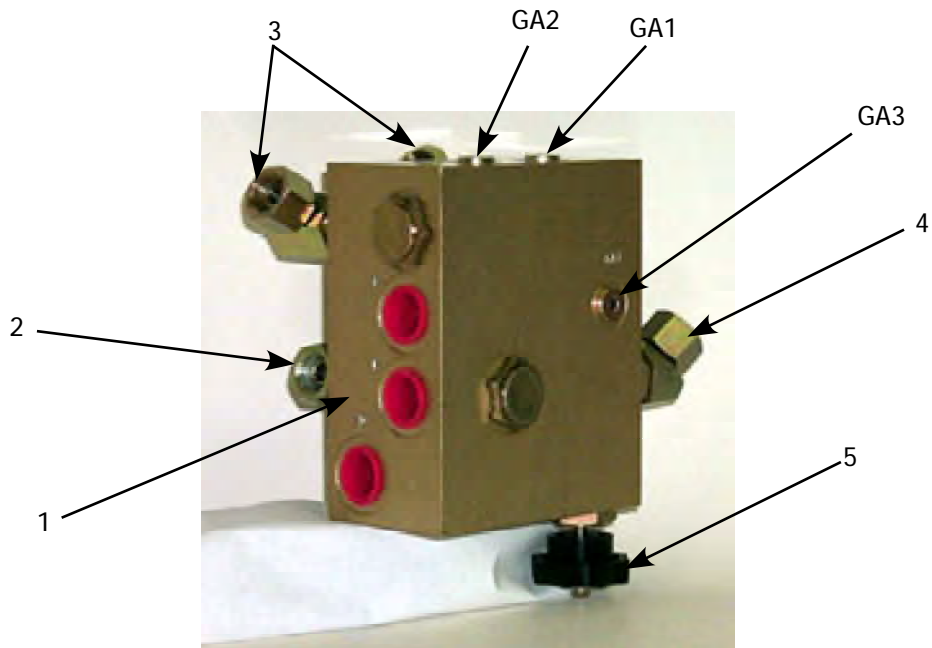
GROUP 3.3 HYDRAULIC CONTROL VALVES AND HAND PUMP GROUP

IND	PART NO	DESCRIPTION	QTY	SERIAL NO
<i>HYDRAULIC CONTROL VALVES</i>				
1	2V-76552	VALVE, HYDRAULIC CONTROL	2	7164 -
	2V-75065	SEAL KIT, HYDRAULIC CONTROL VALVE	AR	7164 -
2	2V-75070	HANDLE, BENT, CONTROL VALVE	2	7164 -
3	2V-75080	HANDLE, STRAIGHT, CONTROL VALVE	2	7164 -
4	HM-17982	NUT, JAM	4	7164 -
5	HM-17985	NUT, ACORN	2	7164 -
6	46-05195	BRACKET	2	7164 -
7	HA-08018	SCREW, HEX HD, 5/16-18 X 2-1/2	6	7164 -
	HA-06862	FLAT WASHER, 1/4	6	7164 -
	HA-08981	LOCKNUT, 5/16-18	6	7164 -
8	7T-55235	BRACKET	1	7164 -
9	7P-0502A	LIMIT SWITCH	3	7164 -

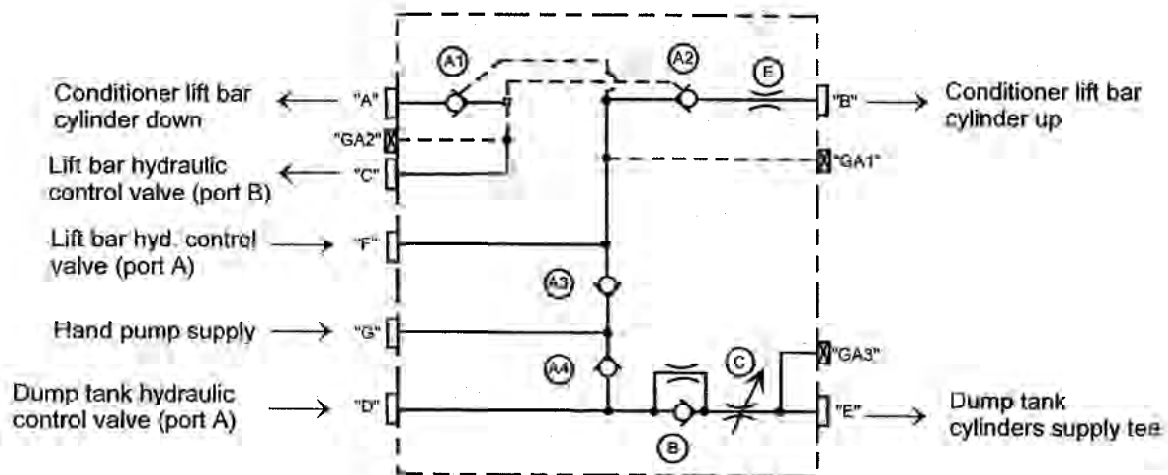
GROUP 3.3 HYDRAULIC CONTROL VALVES AND HAND PUMP GROUP (CONT'D)



CHECK VALVE MANIFOLD



HYDRAULIC SCHEMATIC



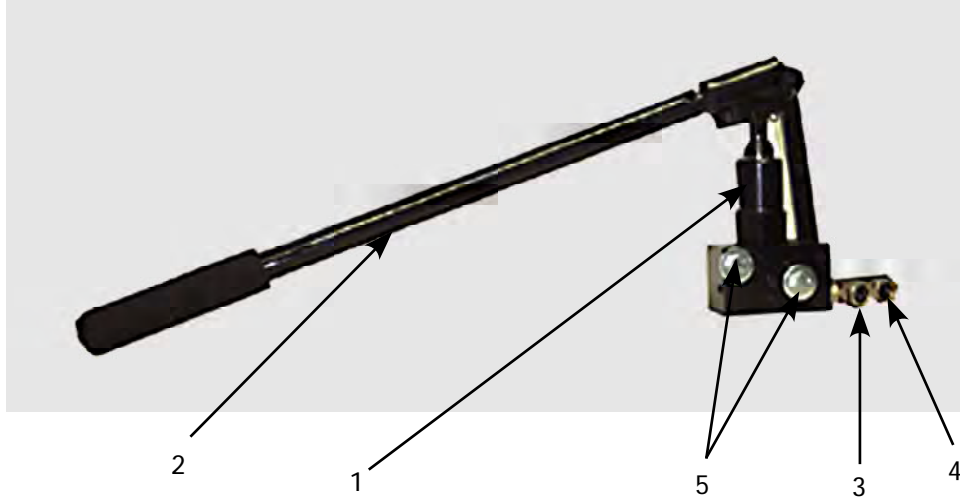
GROUP 3.3 HYDRAULIC CONTROL VALVES AND HAND PUMP GROUP (CONT'D)

IND	PART NO	DESCRIPTION	QTY	SERIAL NO
<i>CHECK VALVE MANIFOLD</i>				
1	2V-44596	CHECK VALVE MANIFOLD ASSY W/FITTINGS	1	7164 -
	2V-44595	CHECK VALVE MANIFOLD ONLY	1	7164 - 8317
	2V-44620	CHECK VALVE MANIFOLD ONLY (FP)	1	8318 -
A1-A4	2V-44591	CARTRIDGE VALVE, CHECK VALVE MANIFOLD	4	7164 -
B	2V-44592	RESTRICTOR CHECK VALVE, CHECK VALVE MANIFOLD	1	7164 -
C	2V-44597	ADJUSTING NEEDLE VALVE, CHECK VALVE MANIFOLD	1	7164 -
E	2V-44598	ORIFICE PLUG, CHECK VALVE MANIFOLD	1	7164 -
2	F1-69030	ADAPTER	1	7164 -
3	F1-69050	ADAPTER	2	7164 -
4	F1-75040	ADAPTER	1	7164 -
5	4B-30000	KNOB, NEEDLE VALVE	1	7164 -

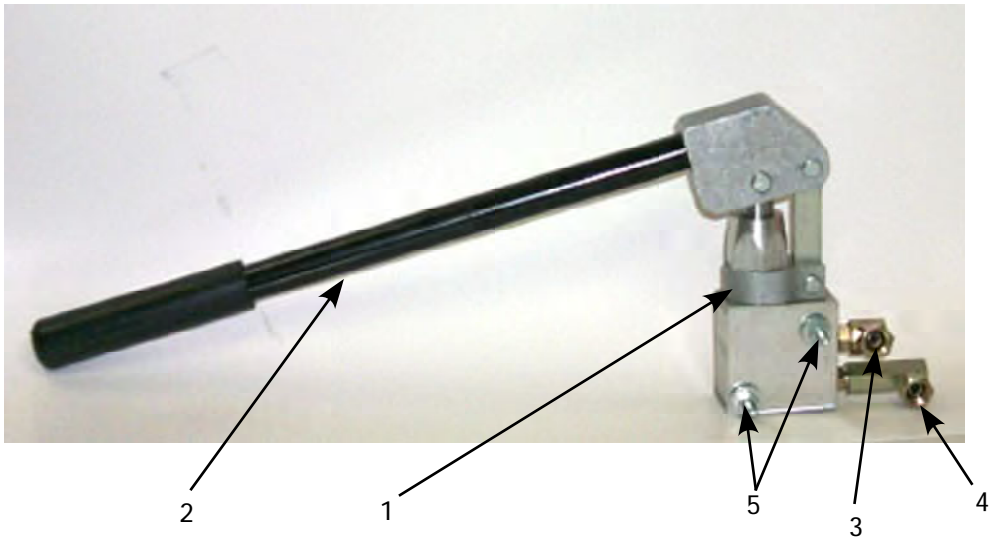
GROUP 3.3 HYDRAULIC CONTROL VALVES AND HAND PUMP GROUP (CONT'D)

HYDRAULIC HAND PUMP

7164-7203



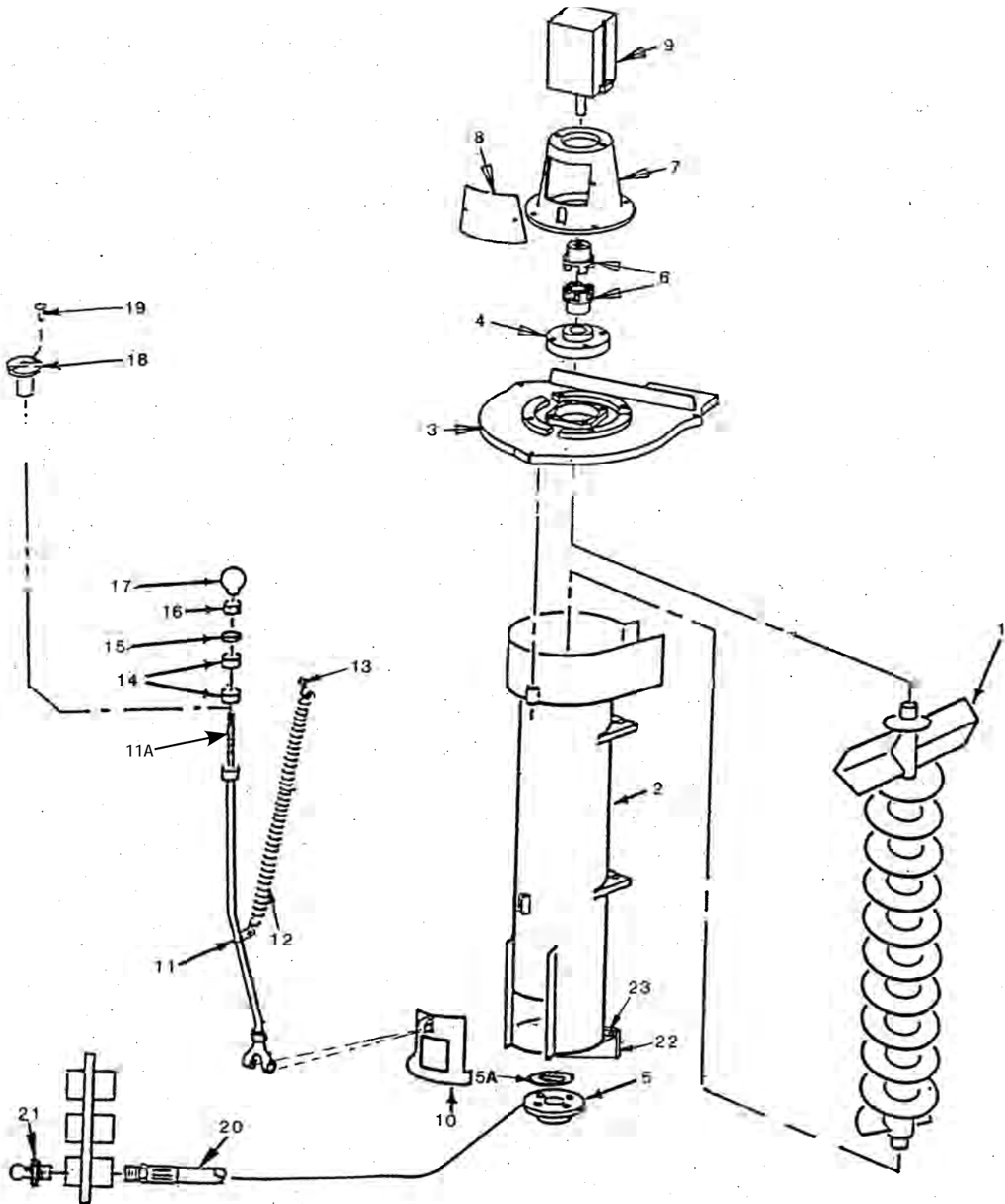
7258-UP



GROUP 3.3 HYDRAULIC CONTROL VALVES AND HAND PUMP GROUP (CONT'D)

IND	PART NO	DESCRIPTION	QTY	SERIAL NO
<u>EMERGENCY HAND PUMP</u>				
1	2P-1002P	HAND PUMP W/RELIEF VALVE, W/OUT HANDLE	1	7164 - 7203
	2P-20000	HAND PUMP W/RELIEF VALVE, W/OUT HANDLE	1	7258 -
2	2P-1000H	HANDLE, HAND PUMP	1	7164 - 7203
	2P-2000H	HANDLE, HAND PUMP	1	7258 -
3	F1-69010	ELBOW	1	7164 -
4	F1-69210	ELBOW	1	7164 -
5	HA-10018	SCREW, HEX HD, 3/8-16 X 2-1/2	2	7164 - 7203
	HA-10860	WASHER, FLAT, 3/8	2	7164 - 7203
	HA-10981	LOCKNUT, HEX, 3/8-16	2	7164 - 7203
	HA-06116	CAPSCREW, SKT HD, 1/4-20 X 2	2	7258 -
	HA-06981	LOCKNUT, HEX, 1/4-20	2	7258 -

GROUP 4.1 VERTICAL CONVEYOR. SNOW BREAKER GROUP



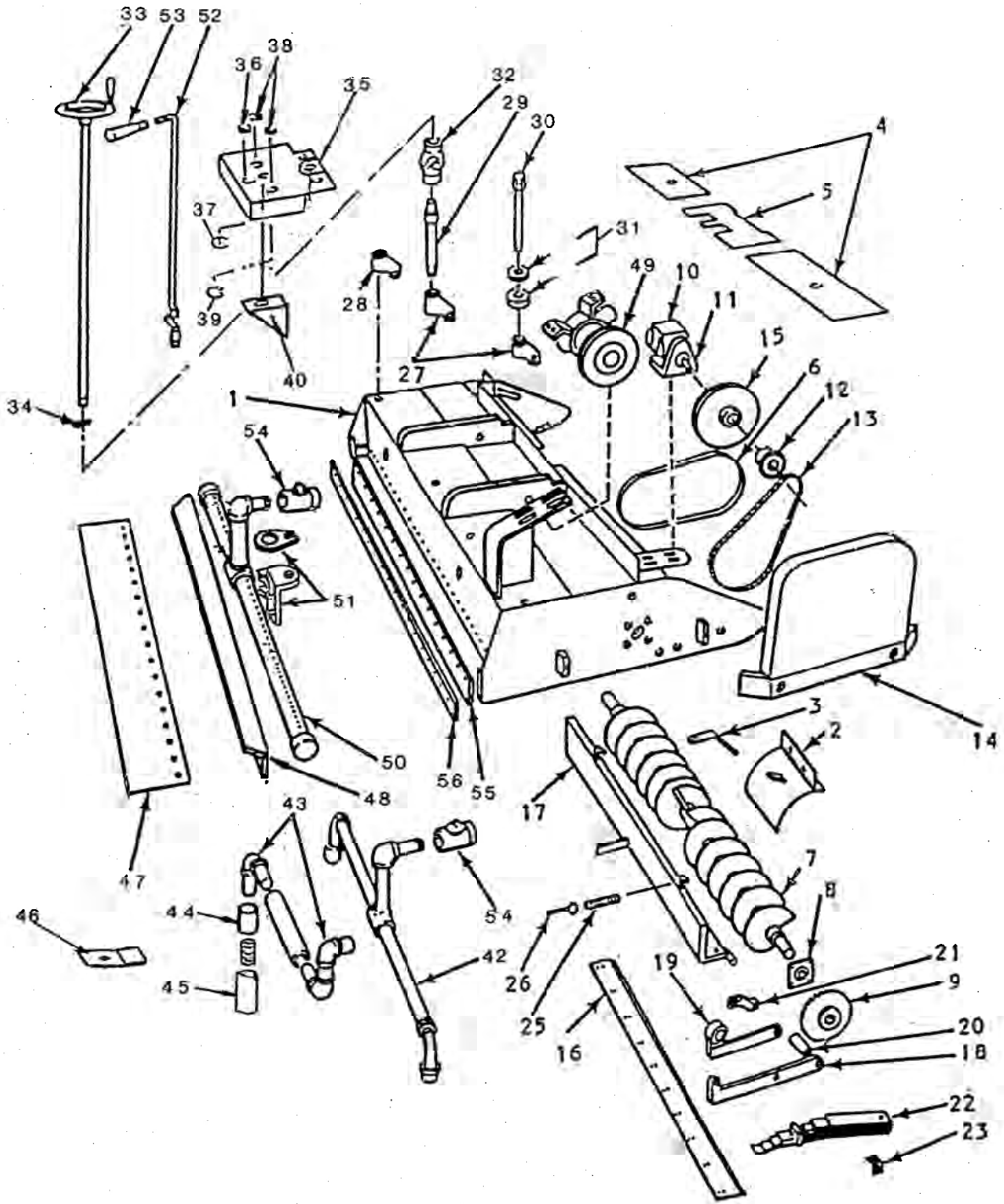
GROUP 4.1 VERTICAL CONVEYOR, SNOW BREAKER GROUP

IND	PART NO	DESCRIPTION	QTY	SERIAL NO
1	5A-69740	VERTICAL CONVEYOR	1	7164 -
	15-02108	KEY, 1/4 SQUARE X 1-1/4	1	7164 -
2	5A-06020	HOUSING, VERTICAL CONVEYOR	1	7164 -
	HA-10011	SCREW, HEX HEAD, 3/8-16 X 1	4	7164 -
	HA-10984	K-LOCKNUT, 3/8-16	4	7164 -
	49-50000	GUARD, VERTICAL AUGER, RIGHT SIDE	1	9952 -
	HF-10511	SCREW,SS,SKT BUTTON HD,3/8-16X1	2	9952 -
	HF-10861	WASHER,FLAT,SAE STD,3/8,S.S.	4	9952 -
	HF-10981	NYLON NUT, HEX LOCK, 3/8-16 , STAINLESS	2	9952 -
3	5A-05100	COVER, VERTICAL CONVEYOR	1	7164 -
	HA-10030	SCREW, HEX HD, 3/8-16 X 7	3	7164 -
	HA-1501S	SCREW, HEX HD, 1/2-20 X 3/8	3	7164 -
	HA-10980	NUT, HEX, 3/8-16	3	7164 -
	HA-10860	FLATWASHER, 3/8	3	7164 -
	HA-10861	FLATWASHER, SAE, 3/8	3	7164 -
	HA-10862	LOCKWASHER, 3/8	3	7164 -
4	1X-36642	BEARING, TOP	1	7164 -
	HF-10014	SCREW, HEX HD, 3/8-16 X 1-1/2	4	7164 -
	HA-10860	FLATWASHER, 3/8	4	7164 -
	1Z-1669B	GREASE FTG, 1/8" NPT, 1-3/4" LG (REXNORD BRG)	1	7164 - 10617
	1Z-01581	GREASE FTG, 1/8" NPT, 30° (DODGE BRG)	1	10618 -
5	1X-36642	BEARING, BOTTOM	1	7164 -
	HA-10014	SCREW, HEX HD, 3/8-16 X 1-1/2	4	7164 -
	HA-10862	LOCKWASHER, 3/8	4	7164 -
5A	HA-30870	FLATWASHER, 1-1/2	1	7164 -
6	2A-0450D	COUPLING, LOVEJOY	1	7164 - 10267
	2A-0400K	COUPLING, ROTEX	1	10268 -
	2A-0450C	INSERT, LOVEJOY	1	7164 - 10267
	2A-0400L	INSERT, ROTEX	1	10268 -
7	3M-11000	MOTOR MOUNT	1	7164 -
	HA-10011	SCREW, HEX HD, 3/8-16 X 1	4	7164 -
	HA-10862	LOCKWASHER, 3/8	4	7164 -
	HA-10860	FLATWASHER, 3/8	4	7164 -
8	3M-11020	COVER, MOTOR MOUNT	1	7164 -
	HF-04206	SCREW, SS, BUTTON HD, 10-32 X 1/2	2	7164 -
	HA-03862	LOCKWASHER, #10	2	7164 -
9	2M-75090	HYDRAULIC MOTOR, VICKERS	1	7164 - 8280, 8289 - 8293
	2M-75700	HYDRAULIC MOTOR, CASAPPA	1	8281 - 8288, 8294 - 10011
	2M-75800	HYDRAULIC MOTOR, PERMCO	1	10012 -
	KZ-76780	REBUILT KIT, HYDRAULIC MOTOR	AR	7164 - 8280, 8289 - 8293
	KZ-93970	KIT, SEAL, VICKERS	AR	7164 - 8280, 8289 - 8293
	2M-7570B	KIT, SEAL (CASAPPA)	AR	8281 - 8288, 8294 - 10011
	2M-7453K	KIT, SEAL (PERMCO)	1	10112 -
	2M-75099	ROTOR ASSY, VICKERS, MOTOR	AR	7164 - 8280, 8289 - 8293
	HA-10011	SCREW, HEX HD, 3/8-16 X 1-1/4	2	7164 -
	HA-10981	LOCKNUT, 3/8-16	2	7164 -

GROUP 4.1 VERTICAL CONVEYOR, SNOW BREAKER GROUP

IND	PART NO	DESCRIPTION	QTY	SERIAL NO
10	5C-69630	SNOW BREAKER	1	7164 -
11	5C-16930	SNOW BREAKER CONTROL ROD	1	7164 -
11A	5C-16920	SNOW BREAKER EXTENSION	1	7164 -
12	1L-75450	SNOW BREAKER SPRING	1	7164 -
13	5T-71185	HOOK, SNOW BREAKER SPRING	2	7164 -
N/S	HA-1101S	ANCHOR BOLT	1	7164 -
N/S	HA-77100	RING	1	7164 -
14	8T-75380	RUBBER BUMPER	2	7164 -
15	HA-10860	FLATWASHER, 3/8	2	7164 -
16	N/A			
17	4B-40830	KNOB	1	7164 -
18	13-19925	BUSHING	2	7164 -
19	HF-04309	SCREW, SS, SOCKET FLAT HD, 10-32 X 3/4	1	7164 -
20	PL-0135B	HOSE, LUBRICATION, 1/8-53	1	7164 -
21	1Z-01580	GREASE FITTING, 1/8 NPT	1	7164 -
22	5A-06036	SNOW FLAP, RUBBER	1	7258 -
23	5A-06037	BRACKET, SNOW FLAP RUBBER	1	7258 -
	HA-06009	SCREW, HEX HD, 1/4-20 X 3/4	3	7258 -
	HA-06862	LOCKWASHER, 1/4	3	7258 -
	HA-06860	FLATWASHER, 1/4	3	7258 -
	HA-06980	NUT, HEX, 1/4-20	3	7258 -

GROUP 5.1 CONDITIONER GROUP



GROUP 5.1 CONDITIONER GROUP

IND	PART NO	DESCRIPTION	QTY	SERIAL NO
<u>CONDITIONER FRAME</u>				
1	5H-72160	CONDITIONER FRAME	1	7164 - 7643
	5H-75160	CONDITIONER FRAME, EXTERNAL BEARING	1	7644 -
N/S	5H-0501A	POLY SIDE PLATE	1	7258 -
	HF-06308	SCREW, SKT FLAT HD, 1/4-20 X 5/8	8/9	7164 -
	HF-06311	SCREW, SKT FLAT HD, 1/4-20 X 1	1	7258 -
	HF-06510	NUT, SS, HEX LOCK, 1/4-20	1	7164 -
2	49-39590	SNOW SHIELD	1	7164 -
3	5T-10210	BRACKET	1	7164 -
4	46-77490	CONDITIONER END COVER	2	7164 - 9951
	46-77492	CONDTIONER END COVER, PERF	2	9952 -
5	46-39760	CONDITIONER CENTER COVER	1	7164 - 9951
	46-39762	CONDITIONER CENTER COVER, PERF	1	9952 -
6	42-75440	BELT, V, 3L, POWER-TWIST (77 LINKS)	51"	7164 -
7	5A-38230	HORIZONTAL CONVEYOR,	1	7164 - 7568
	5A-38250	HORIZONTAL CONVEYOR, 3-1/2" PADDLE	1	7569 -
8	1X-33490	BEARING	2	7164 -
9	43-4028A	SPROCKET	1	7164 -
	43-73380	BUSHING	1	7164 -
	15-02116	KEY	1	7164 -
10	2M-55220	HORIZONTAL AUGER MOTOR, SAUER	1	7164 - 9965
	2M-55230	HORIZONTAL AUGER MOTOR, HALDEX	1	9966 - 10009
	2M-55240	HORIZONTAL AUGER MOTOR, PERMCO	1	10010 -
	2M-7453K	KIT, SEAL (PERMCO)	1	10010 -
	2M-55221	SEAL KIT, SAUER MOTOR	1	7164 - 9965
11	2M-53150	FOOTMOUNT	1	7164 -
	(*JACK BOLTS, QTY (2) EA: HA-12719, HA-12980, HA-12862, HA-12860)			
12	43-39290	SPROCKET	1	7164 -
13	44-4071A	CHAIN	1	7164 -
14	49-72090	GUARD, CONVEYOR CHAIN	1	7164 -
	2H-08000	TAPE, ANTI-SLIP (FEET)	2.7	7164 -
15	KZ-7717A	KIT, SHEAVE & BUSHING	1	7164 -
	41-77240	SHEAVE, 10" DIA	1	7164 -
	41-77210	BUSHING	1	7164 -
	HF-06113	SCREW	2	7164 -
	HF-07813	LOCK WASHER	2	7164 -
	49-77220	GUARD	1	7164 - 9951
	49-77099	GUARD, HORIZ AUGER DRIVE SPROCKET	1	9952 -

GROUP 5.1 CONDITIONER GROUP (CONT'D)

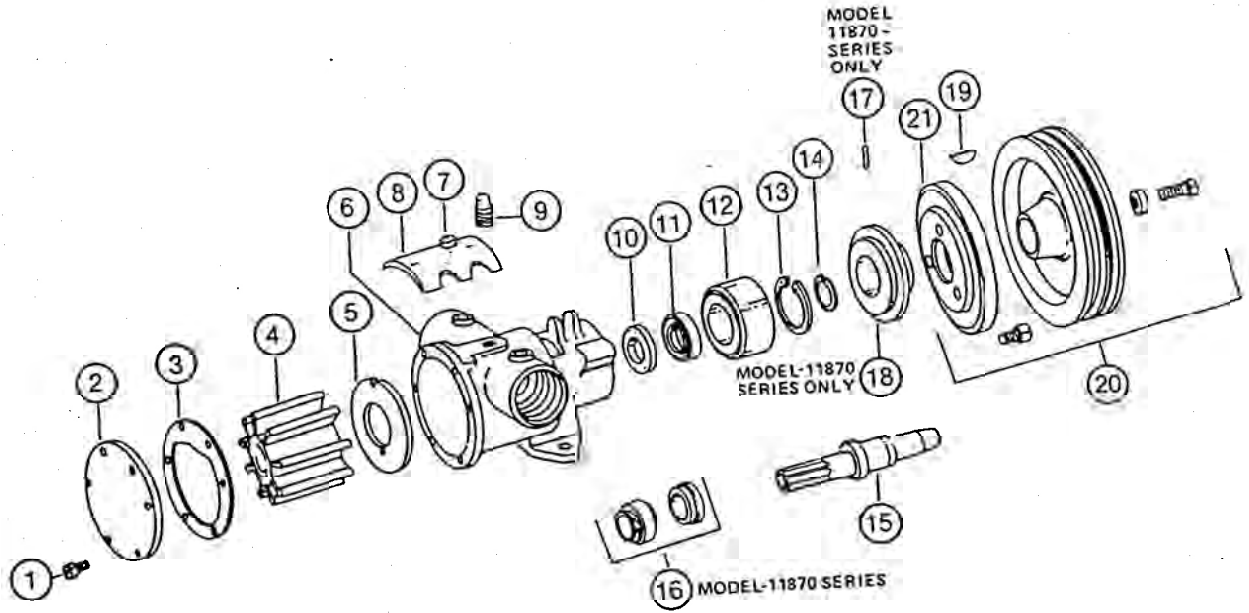
IND	PART NO	DESCRIPTION	QTY	SERIAL NO
<u>CONDITIONER BLADE</u>				
16	5K-33630	BLADE	1	7164 -
	HF-14316	SCREW, S/S SKT FLAT HD, 1/2-13 X 2	10	7258 -
	HF-14862	LOCKWASHER, S/S, 1/2	10	7164 -
	HF-14980	NUT, S/S, HEAVY HEX, 1/2-3	10	7258 -
17	5K-78890	BLADE SUPPORT	1	7164 -
18	5F-33410	LEFT FULCRUM ARM	1	7164 -
	5F-33420	RIGHT FULCRUM ARM	1	7164 -
19	5F-33450	BLADE HAMMER ARM	2	7164 -
20	13-22160	SPACER	2	7164 -
	HA-18318	SCREW, FLAT HD SKT, 5/8-11 X 2-1/2	1	7164 -
	HA-18018	SCREW, HEX HD, 5/8-11 X 2-1/2	1	7164 -
	HA-18860	WASHER, FLAT, 5/8	2	7164 -
	HA-18987	NUT, 5/8-11	2	7164 -
21	5T-10220	BRACKET, SUPPORT HAMMER ARM	2	7164 -
22	1L-33481	SPRING	2	7164 -
	HD-2251L	SETSCREW, SQ HD, 3/4-10 X 3	2	7164 -
23	5T-16100	BRACKET	2	7164 -
	HA-14986	NUT, HEX FLEXLOCK, 1/2-13	4	7164 -
	HA-14313	SCREW, FLAT HD, 1/2-13 X 1-1/4	1	7164 -
	HA-14013	SCREW, HEX HD, 1/2-13 X 1-1/4	2	7164 -
25	1L-33580	SPRING	2	7164 -
26	HC-1011X	EYEBOLT & NUT	2	7164 -
	HA-10980	NUT, 3/8-16	2	7164 -
27	36-33930	CLEVIS ASSY, RH & CENTER	2	7164-8107, 8109-8277
	36-3393B	CLEVIS ASSY, RH & CENTER	2	8108 - 8109, 8278 -
28	36-3393A	CLEVIS ASSY, LH	1	7164-8107, 8109-8277
	36-3393C	CLEVIS ASSY, LH	1	8108 - 8109, 8278 -
	HA-12015	SCREW, HEX HD, 7/16-14 X 1-1/4	3	7164-8107, 8109-8277
	HA-12981	NUT, 7/16-14	3	7164-8107, 8109-8277
	16-35000	CLEVIS PIN, 1/2 X 1-1/2	3	8108 - 8109, 8278 -
	1Z-01620	GREASE FITTING	3	7164 -
29	5F-33510	BLADE ANGLE ADJ SCREW (W/LOCK BOLT)	1	7164 -
	HF-08009	SCREW, SS, HEX HD, 5/16-18 X 3/4	1	7164 -
	HA-08860	FLATWASHER, 5/16	1	7164 -
	HA-08862	LOCKWASHER, 5/16	1	7164 -
30	5F-37340	SCREW, BLADE HEIGHT ADJUSTMENT	2	7164 -
31	5K-33640	KIT, BEARING & WASHERS	2	7164 -
32	2B-33570	U-JOINT, BLADE ADJUSTMENT	1	7164 -
	15-01100	KEY	1	7164 -
	15-01016	KEY	1	7164 -
33	4C-1873A	HANDLEWHEEL & ROD	1	7164 -
34	1X-0440A	BEARING, BLADE ADJUSTING, HANDWHEEL	1	7164 -
35	38-16530	GUIDE	1	7164 -
36	4X-0500B	NYLON GROMMET	1	7164 -
37	HA-7080A	SNAP RING	1	7164 -
38	4X-0500C	NYLON GROMMET	2	7164 -
39	HA-7056A	SNAP RING	2	7164 -
40	5T-40030	BRACKET	1	7164 -
	HA-08981	NUT, HEX LOCK, 5/16-18	1	7164 -
	HA-08862	LOCKWASHER, 5/16	2	7164 -
	HA-08860	FLATWASHER, 5/16	1	7164 -
	HA-08009	SCREW, HEX HD, 5/16-18 X 3/4	3	7164 -

GROUP 5.1 CONDITIONER GROUP (CONT'D)

IND	PART NO	DESCRIPTION	QTY	SERIAL NO
<u>CONDITIONER WATER SYSTEM</u>				
42	5X-70690	WASH WATER DISCHARGE ASSY	1	7164 -
43	KZ-72270	WASH WATER SUCTION ASSY	1	7164 -
44	2V-10050	CHECK VALVE	1	7164 -
45	RE-5012A	HOSE, 1-5/8 X 3-1/2	1	7164 -
	27-2028A	CLAMP, 1-5/8 HOSE	1	7164 -
46	5T-10180	BRACKET, WASH WATER DISCHARGE	1	7164 -
47	5P-33620	WATER SPREADER, WHITE	1	7164 -
(ALT)	5P-33630	WATER SPREADER, BLACK	1	7164 -
	HF-08311	SCREW, SKT FLAT HD, 5/16-18 X 1	17	7164 -
(ALT)	HF-08309	SCREW, S.S. SKT FLAT HEAD, 5/16-18 X 3/4	17	7164 -
	HF-08904	LOCKNUT, 5/16-18	17	7164 -
48	5R-33600	BAR, WATER SPREADER SUPPORT	1	7164 -
49	2P-37570	PUMP, WASH WATER	1	7164 -
	HA-10981	NUT, HEX LOCK, 3/8-16	4	7164 -
	HA-10013	SCREW, HEX HD, 3/8-16 X 1-1/4	4	7164 -
	49-04010	COVER, CHAIN GUARD (USED ONLY W/OUT WATER PUMP)	1	7164 -
50	5X-70680	ICE MAKING WATER DISCHARGE ASSY	1	7164 -
51	5T-10170	BRACKET, ICE MAKING WATER ASSY	1	7164 -
52	4E-16490	ROD, WATER VALVE CONTROL	2	7164 -
53	4B-31460	KNOB, CONTROL ROD HANDLE	2	7164 -
54	2V-79701	VALVE, BALL, 1-1/4	2	7164 -
	2F-79701	SEAL KIT, BALL VALVE	1	7164 -
	KZ-79701	KIT, VALVE STEM NUT	1	7164 -
55	5M-33550	SQUEEGEE	1	7164 -
56	1M-33560	STRAP, SQUEEGEE HOLDING	1	7164 -
	HF-10981	NUT, HEX, SS, NYLOCK, 3/8-16	19	7164 -
	HF-10013	SCREW, SS, HEX HD, 3/8-16 X 1-1/4	19	7164 -

GROUP 5.1 CONDITIONER GROUP (CONT'D)

WASH WATER PUMP

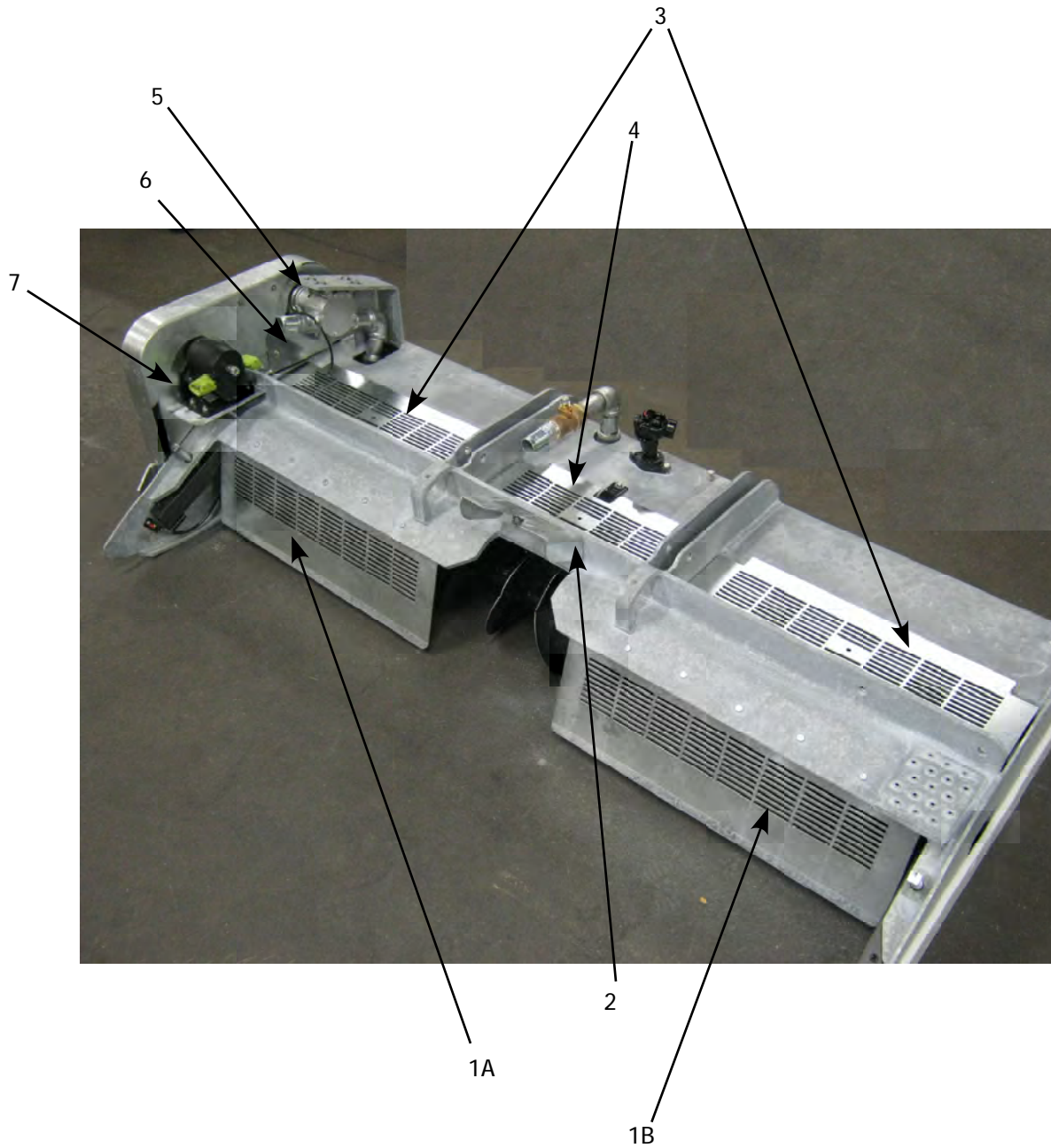


GROUP 5.1 CONDITIONER GROUP (CONT'D)

IND	PART NO	DESCRIPTION	QTY	SERIAL NO
		<u>WASH WATER PUMP</u>		
	2P-37570	COMPLETE WASH WATER PUMP	1	7164 -
1	00-09366	SCREW (END COVER)	5	7164 -
2	00-09358	END COVER	1	7164 -
3	00-00816	GASKET	1	7164 -
4	2P-33850	IMPELLER (RUBBER)	1	7164 -
5	00-00819	WEAR PLATE	1	7164 -
6		BODY	1	7164 -
7		SCREW (CAM)	1	7164 -
8	00-09367	CAM, BRASS	1	7164 -
9		PIPE PLUG	2	7164 -
10	2P-3757A	SLINGER	1	7164 -
11	00-00817	SEAL (BEARING)	1	7164 -
12	00-09404	BALL BEARING (PUMP)	1	7164 -
13	HA-7152A	RETAINING RING (BEARING TO BODY)	1	7164 -
14	HA-7076A	RETAINING RING (BEARING TO SHAFT)	1	7164 -
15	19-07000	SHAFT	1	7164 -
16	00-09359	SEAL, SHAFT	1	7164 -
17		ROLL PIN (ADAPTER)	2	7164 -
18		ADAPTER	1	7164 -
19	15-70505	KEY, CLUTCH DRIVE	1	7164 -
20	2A-6000H	CLUTCH ASSYS, COMPLETE, 12V	1	7164 -
21	8F-37470	FIELD COIL (REPLACEMENT)	1	7164 -
	1X-6000H	BEARING, CLUTCH	1	7164 -
	00-03758	KIT, GENERAL WATER PUMP REPAIR (INCLUDES ITEMS 1,2,3,5,8,16)		
	00-03759	KIT, WATER PUMP SHAFT REPLACEMENT (INCLUDES ITEMS 1,11,12,15,16,19)		
	00-03760	KIT, WATER PUMP SERVICE (INCLUDES ITEMS 4,16)		
	84-37570	PULLER, IMPELLER		

GROUP 5.1 CONDITIONER GROUP (CONT'D)

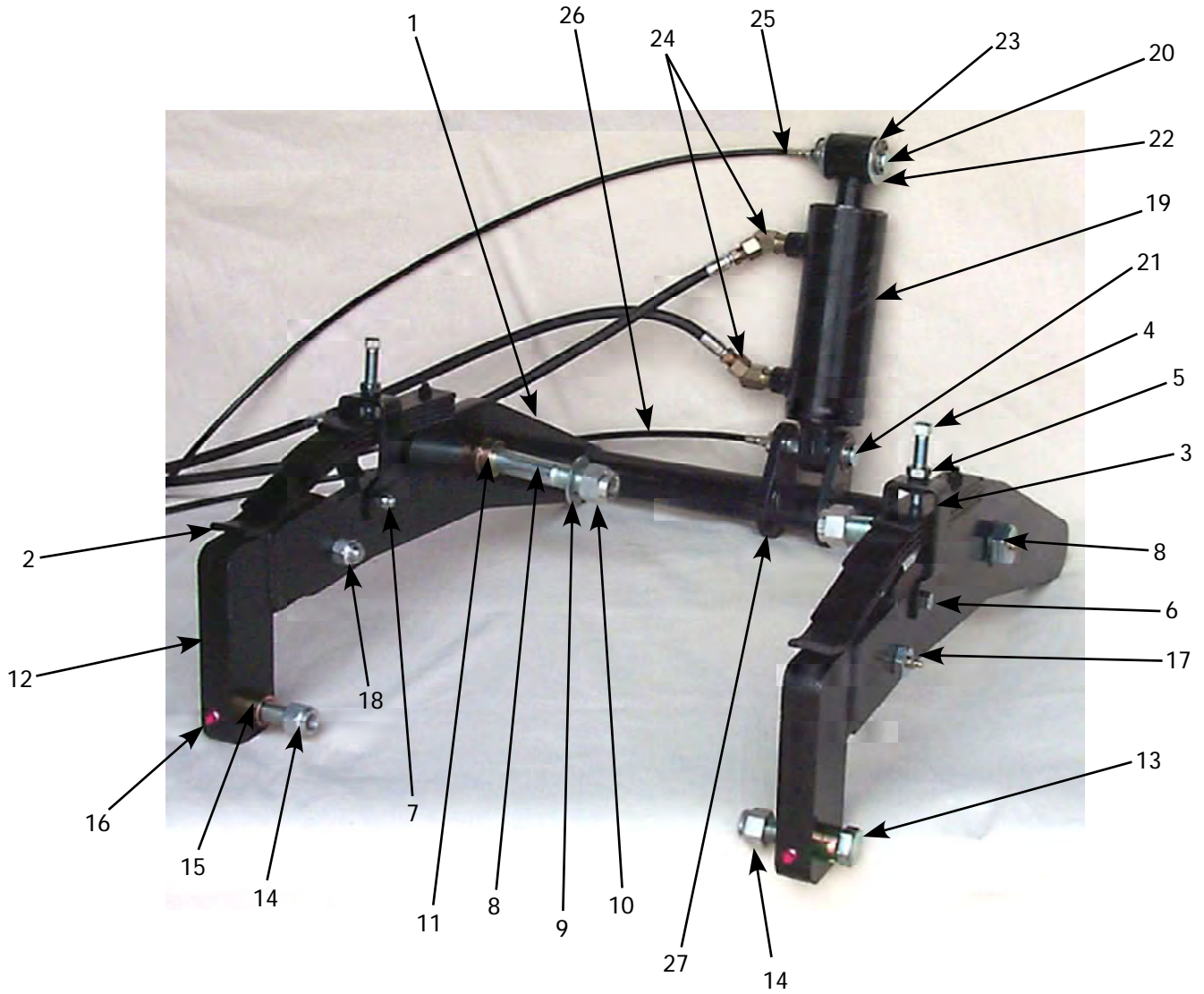
CONDITIONER GUARDS



GROUP 5.1 CONDITIONER GROUP (CONT'D)

IND	PART NO	DESCRIPTION	QTY	SERIAL NO
<u>CONDITIONER GUARDS</u>				
1A	46-77500	GUARD, HORIZ AUGER, FRONT RIGHT	1	9952 -
1B	46-77505	GUARD, HORIZ AUGER, FRONT LEFT	1	9952 -
	HF-08013	SCREW, HEX HEAD, 5/16-18 x 1-1/4" S.S.	10	9952 -
	HF-06860	WASHER, FLAT, 1/4, S.S.	10	9952 -
	HD-08862	NYLON FLAT WASHER, 5/16" ID x .062 THICK	10	9952 -
	HF-08860	WASHER, FLAT, 5/16", STAINLESS STEEL	10	9952 -
	HF-08904	LOCKNUT, NYLON INSERT 5/16-18,SS	10	9952 -
2	46-77510	GUARD, VERTICAL AUGER INLET	1	9952 -
	HF-10014	SCR,HEX HD,3/8-16X1.5,GR 5,S.S.	2	9952 -
	HF-10860	WASHER,FLAT,3/8,S.S.	2	9952 -
	HF-10981	NYLON NUT, HEX LOCK, 3/8-16 , STAINLESS	2	9952 -
3	46-77492	COVER, OUTER, CONDITIONER	2	9952 -
4	46-39762	COVER, CENTER, CONDITIONER	1	9952 -
	HF-08512	SCREW, SS, PAN, PHILLIPS, 5/16-18 x 1.25	6	9952 -
	HF-08904	LOCKNUT, NYLON INSERT 5/16-18,SS	6	9952 -
5	49-72097	GUARD, WASHWATER PUMP	1	9952 -
	HF-06505	SCREW, SS, HX HD, 1/4-20X3/4	3	9952 -
	HF-06861	WASHER, FLAT, 1/4, SAE,S.S.	3	9952 -
	HD-13861	WASHER, FLAT, NYLON, 1/4"	3	9952 -
	HF-06860	WASHER,FLAT,1/4, S.S.	3	9952 -
	HF-06510	NUT, HEX LOCK, SS, 1/4-20	3	9952 -
6	49-72098	SHIELD, WASHWATER PUMP	1	9952 -
	HF-06505	SCREW, SS, HX HD, 1/4-20X3/4	2	9952 -
	HF-06861	WASHER, FLAT, 1/4, SAE,S.S.	2	9952 -
	HF-06862	LOCKWASHER,1/4,SPLIT LOCK,S.S.	2	9952 -
	HA-06900	SPEED NUT, "J" STYLE, 1/4-20 PLATED	2	9952 -
7	49-72099	GUARD, HORIZ AUGER DRIVE SPROCKET	1	9952 -
	HF-10982	JAM NUT,THIN PATT,HEX,3/8-16,S.S.	2	9952 -

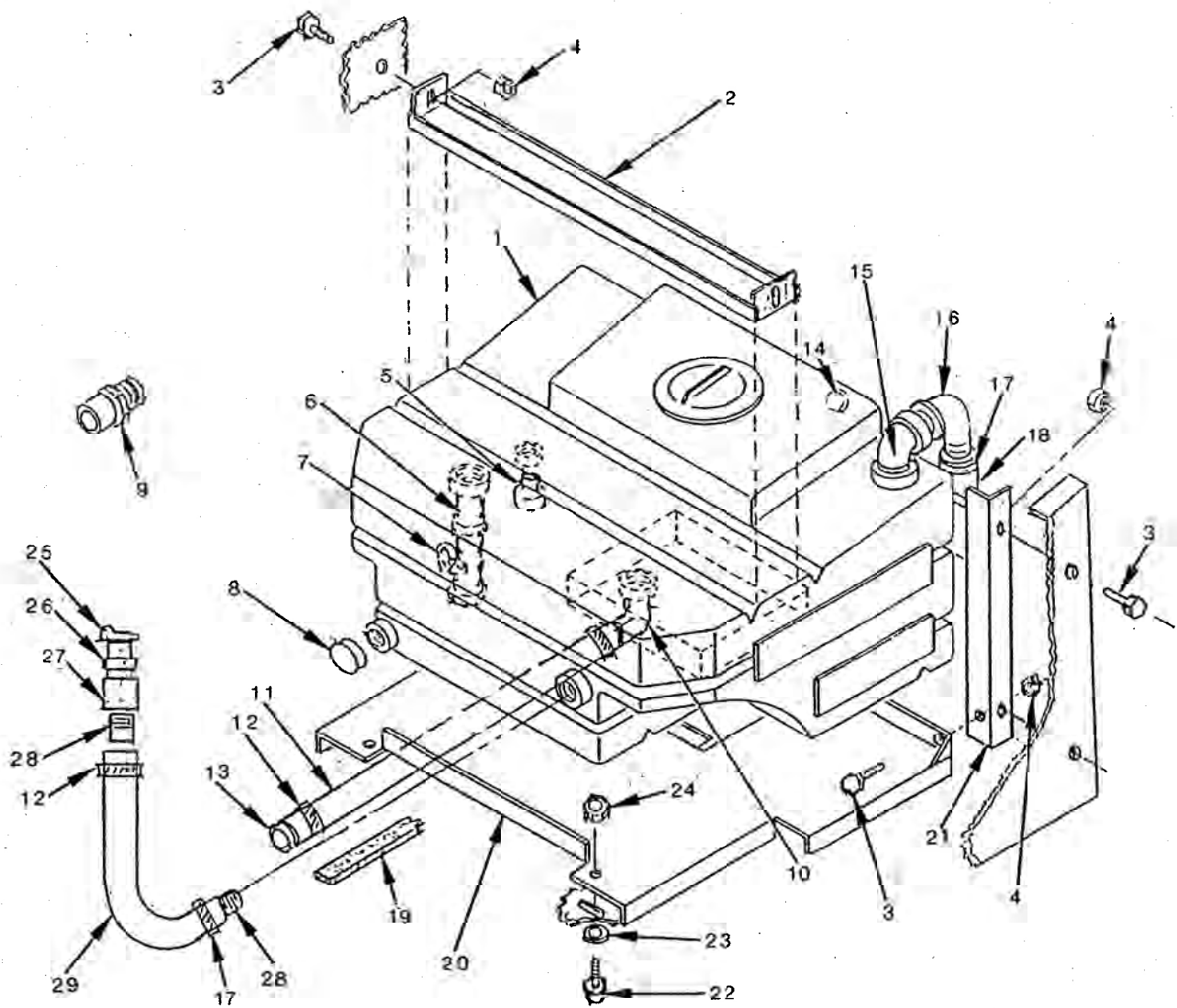
GROUP 5.2 CONDITIONER LIFT GROUP



GROUP 5.2 CONDITIONER LIFT GROUP

IND	PART NO	DESCRIPTION	QTY	SERIAL NO
	5J-7777A	LIFT BAR ASSEMBLY	1	7164 -
1	5J-77770	LIFT BAR	1	7164 -
2	1L-67540	SPRING	2	7164 -
3	38-77770	GUIDE, COND LEAF SPRING	2	7164 -
4	HD-1451F	SET-SCREW, 1/2-13 X 2-1/2	2	7164 -
5	HA-14982	NUT, HEX, 1/2-13	2	7164 -
6	HA-10015	SCREW, HEX HD, 3/8-16 X 1-3/4	2	7164 -
7	HA-10981	LOCKNUT, HEX, 3/8-16	2	7164 -
8	HD-3062D	SCREW	2	7164 -
N/S	10-4828A	TENSION BUSHING (INSIDE THE HOLES ON THE LIFT BAR)	2	7164 -
9	HA-30861	WASHER, FLAT, 1	1	7164 -
10	HA-30986	LOCKNUT, 1-8	2	7164 -
11	10-39610	BUSHING	2	7164 -
12	5J-04020	YOKE, LIFT ARM	2	7164 -
13	HA-22021	SCREW	2	7164 -
14	HA-22986	NUT, 3/4-10	2	7164 -
15	10-2424A	BUSHING	2	7164 -
16	1Z-01580	GREASE FITTING, 1/8 NPT	2	7164 -
17	HD-1861F	SCREW	2	7164 -
18	HA-18986	NUT, 5/8-11	2	7164 -
N/S	10-71300	BUSHING (INSIDE THE HOLES ON THE LIFT BAR)	2	7164 -
19	2X-3005A	CYLINDER	1	7164 -
20	16-70560	PIN	1	7164 -
21	16-70570	PIN	1	7164 -
22	HA-30861	WASHER, FLAT, 1	2	7164 -
23	HA-7064A	E-RING	2	7164 -
24	F2-75080	FITTING	2	7164 -
25	PL-0120B	HOSE, LUBRICATION	1	7164 -
26	PL-0130B	HOSE, LUBRICATION	1	7164 -
27	10-3220B	TENSION BUSHING (2 PCS UNDER THE WASH WATER TANK)	4	7164 -
	KZ-09099	BUSHING & BOLT KIT, LIFT BAR	1	7164 -

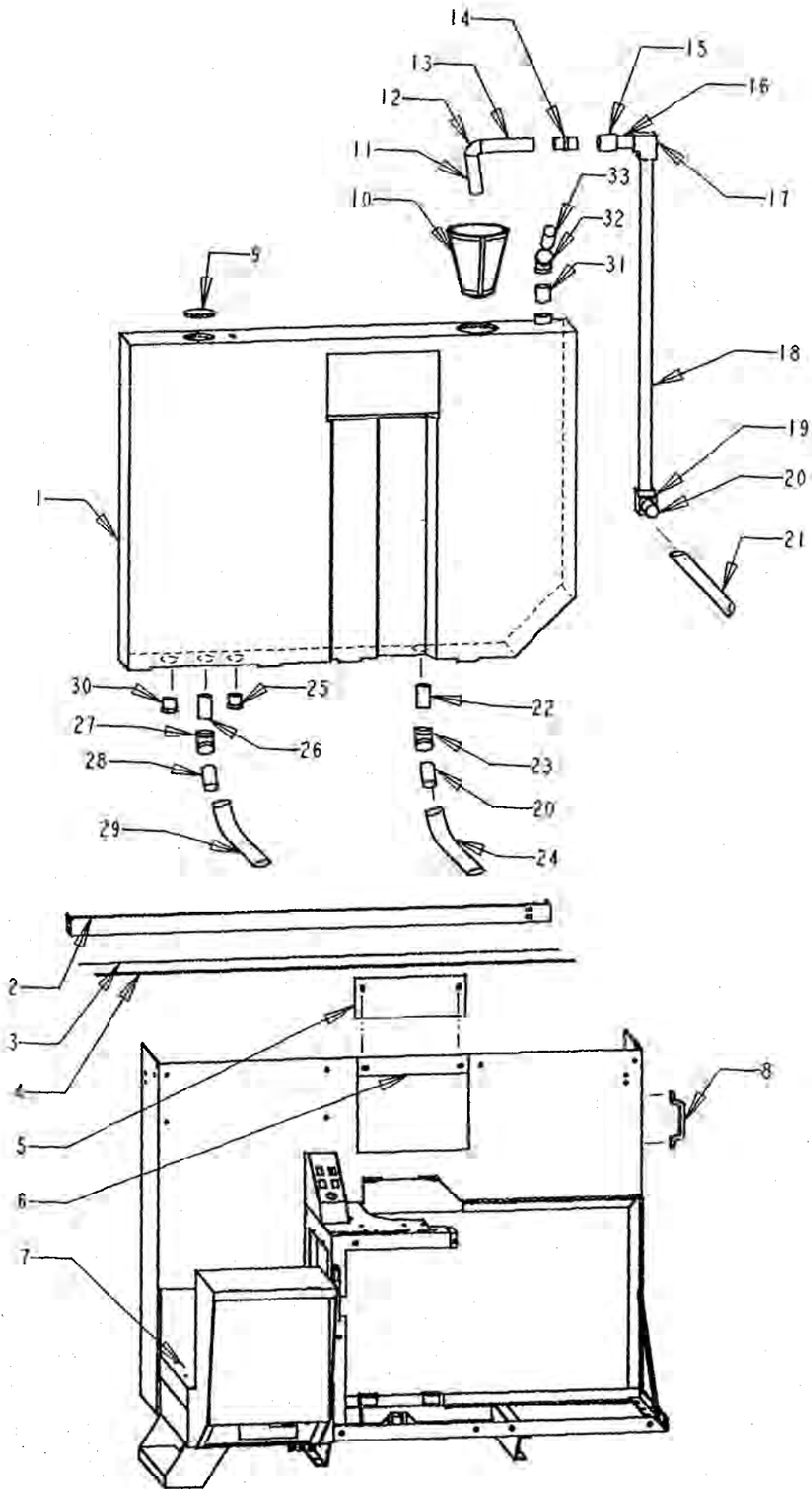
GROUP 6.1 ICE WATER TANK GROUP



GROUP 6.1 ICE WATER TANK GROUP

IND	PART NO	DESCRIPTION	QTY	SERIAL NO
1	7A-0530A	ICE MAKING WATER TANK, XLINK	1	7164 - 9404
	7A-0530B	ICE MAKING WATER TANK, LINEAR	1	9405 -
	KZ-0703C	KIT, ICE MAKING WATER TANK & TRAY	1	7164 -
2	7A-05204	CHANNEL	1	7164 -
3	HA-08011	SCREW, HEX HD, 5/16-18 X 1	8	7164 -
4	HA-08981	NUT, HEX LOCK, 5/16-18	8	7164 -
5	FP-0800A	PLUG	1	7164 -
6	FT-46048	NIPPLE	1	7164 -
7	2V-33240	VALVE	1	7164 -
8	FV-09162	PLUG	1	7164 -
9	FP-2426B	CONNECTOR	1	7164 -
10	FF-04360	STREET ELBOW, 1½ X 90°	1	7164 -
	FD-15220	REDUCING BUSHING, 1½ X 1¼	1	7164 -
	FW-10080	COMB. NIPPLE, 1½ HOSE X 1¼ NPT	1	7164 -
11	RC-4146A	HOSE, KANAFLEX, 1-1/2 X 62	1	7164 -
12	27-2032A	HOSE CLAMP	2	7164 -
13	FW-43652	NIPPLE	1	7164 -
14	FV-09164	PLUG	1	7164 -
15	FP-32001	FITTING	1	7164 -
16	FP-3232A	FITTING	1	7164 -
17	27-2036A	CLAMP	3	7164 -
18	RC-43096	HOSE, KANAFLEX, 2 X 24	1	7164 -
19	SF-00120	SEAL	8	7164 -
20	7A-00552	TRAY, WATER TANK	1	7164 -
21	7A-05220	SUPPORT	1	7164 -
22	HA-14013	SCREW, HEX HD, 1/2-13 X 1-1/4	4	7164 -
23	HA-14860	WASHER, FLAT, 1/2	4	7164 -
24	HA-14986	NUT, 1/2-13	4	7164 -
25	7D-68400	CAP, WATER FILL PIPE	1	7164 -
26	13-68380	SPACER, WATER FILL PIPE	1	7164 -
27	FF-13410	COUPLING	1	7164 -
28	FP-3232B	CONNECTOR	2	7164 -
29	RC-42220	HOSE, KANAFLEX, 2 X 55	1	7164 -
N/S	5T-16065	BRACKET, WATER TRAY MTG, NO BOARD BRUSH	1	7164 -

GROUP 6.2 PLASTIC WASH WATER TANK W/OUT TRANSFER GROUP



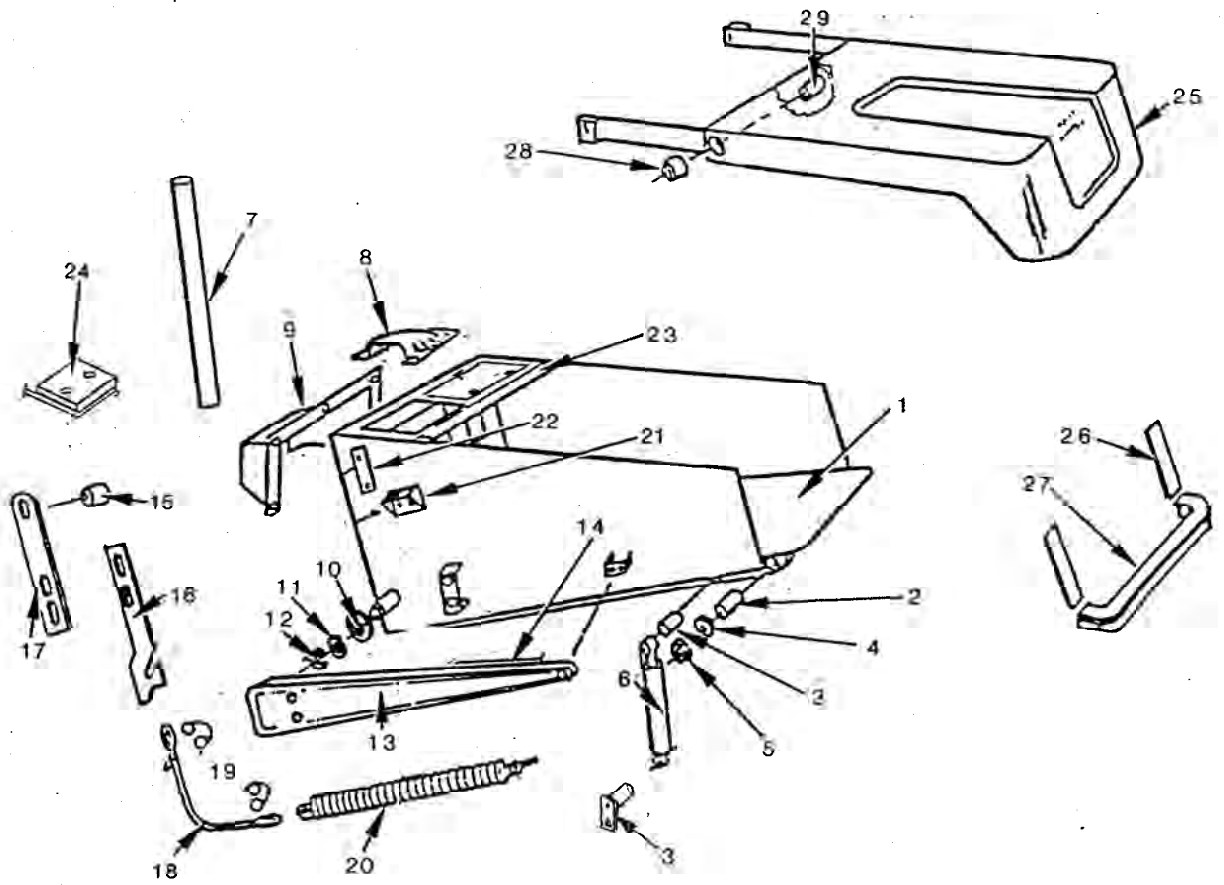
GROUP 6.2 PLASTIC WASH WATER TANK W/OUT TRANSFER GROUP

IND	PART NO	DESCRIPTION	QTY	SERIAL NO
1	7A-05355	PLASTIC WASH WATER TANK	1	7164 -
2	7F-05051	STIFFENER	1	7164 -
	HA-10509	SCREW, BUTTON HD, 3/8-16 X 3/4	4	7164 -
	HA-10982	NUT, THIN, 3/8-16	4	7164 -
	HA-10860	WASHER, FLAT, 3/8	4	7164 -
	HA-10862	LOCKWASHER, 3/8	4	7164 -
3	2F-00140	SEAL	5'	7164 -
4	7F-05070	BRACKET, SNOW TANK SEAL	1	7164 -
	HA-06009	SCREW, HEX HD, 1/4-20 X 3/4	7	7164 -
	HA-06860	WASHER, FLAT, 1/4	7	7164 -
	HA-06862	FLATWASHER, 1/4	7	7164 -
5	7F-05203	AUGER OPENING FILLER, PLASTIC WW TANK	1	7164 -
	2F-00145	TRIM SEAL	1	7164 -
6	7F-05066	STIFFENER, PLASTIC WASH WATER TANK	1	7164 -
7	7F-15220	FLOOR PLATE	1	7164 - 7257
	7F-15521	FLOOR PLATE, DIAMONDPLATE	1	7258 - 8745
	7F-15630	FLOOR PLATE, SEVCON FOOT PEDAL	1	8746 -
	7F-15640	HEEL REST, FLOOR PLATE, SEVCON FOOT PEDAL	1	8746 -
	HD-99670	RECEPTACLE, QUARTER-TURN FASTENER	4	7164 - 8745
	HD-99761	STUD, QUARTER-TURN FASTENER	4	7164 - 8745
8	4A-40510	HANDLE	1	7164 -
	HA-06106	SCREW, SOCKET HD CAP, 1/4-20 X 1/2	2	7164 -
	HA-06981	LOCKNUT, 1/4-20	2	7164 -
	HA-06862	FLATWASHER, 1/4	2	7164 -
9	7A-05357	COVER	1	7164 -
10	7C-04885	SCREEN BASKET	1	7164 - 11377
	7C-05400	FILTER BAG. 400 MICRON	1	11378 -
11	4T-0916C	CLEAR HOSE, 1-1/4 X 6	1	7164 -
12	FP-2020C	90° ELBOW	1	7164 -
13	4T-0914C	CLEAR HOSE, 1-1/4 X 4	1	7164 -
N/S	49-04880	SPLASH GUARD	1	7164 - 11377
14	FP-2020B	ADAPTER	1	7164 -
15	FV-33560	COUPLING	1	7164 -
16	FV-64016	NIPPLE	1	7164 -
17	FV-05261	90° ELBOW	1	7164 -
18	FV-64384	PIPE	1	7164 -
19	FV-02562	90° ELBOW	1	7164 -
20	FV-64028	NIPPLE	2	7164 -
21	RC-5108A	HOSE, 1-5/8 X 27", KANAFLEX	1	7164 - 7618
	RC-4110A	HOSE, 1-1/2 X 29", KANAFLEX	1	7619 -
22	FV-2605A	NIPPLE	1	7164 -
23	FV-05060	45° ELBOW	1	7164 -
24	RC-5142A	HOSE, 1-5/8 X 35.5"	1	7164 - 7618
	RC-4114A	HOSE, 1-1/2 X 37.5", KANAFLEX	1	7619 -
25	FV-09162	PLUG, 1-1/2	1	7164 -
26	FV-2700A	NIPPLE	1	7164 -
27	FF-05572	45° ELBOW	1	7164 -
28	FP-2426B	NIPPLE	1	7164 -
29	4T-0312A	CLEAR HOSE	2'	7164 -

Zamboni Model 552

IND	PART NO	DESCRIPTION	QTY	SERIAL NO
30	FV-09164	PLUG, 2	1	7164 -
31	FV-2806B	NIPPLE	1	7164 -
32	FV-05082	45° ELBOW	1	7164 -
33	FV-66028	NIPPLE	1	7164 -
N/S	FV-2637C	PIPE (INSIDE PLASTIC TANK)	1	7164 -
N/S	5T-05320	BRACKET (INSIDE PLASTIC TANK)	1	7164 -
N/S	2F-19745	SEAL, WASHWATER TANK	2	7164 -
	7F-05054	BRACKET, SEAL	2	7164 -
	HD-06670	CLIP,FLAT HEAD, PLASTIC, .250" DIA.	4	7164 -
	HF-06510	NUT, HEX LOCK, SS, 1/4-20	4	7164 -
	HD-08862	NYLON FLAT WASHER, 5/16" ID x .062 THICK	4	7164 -
	HF-06006	SCREW, HEX HD, 1-4/20 X 1/2, SS	4	7164 -

GROUP 7.1 SNOW TANK & CYLINDERS GROUP



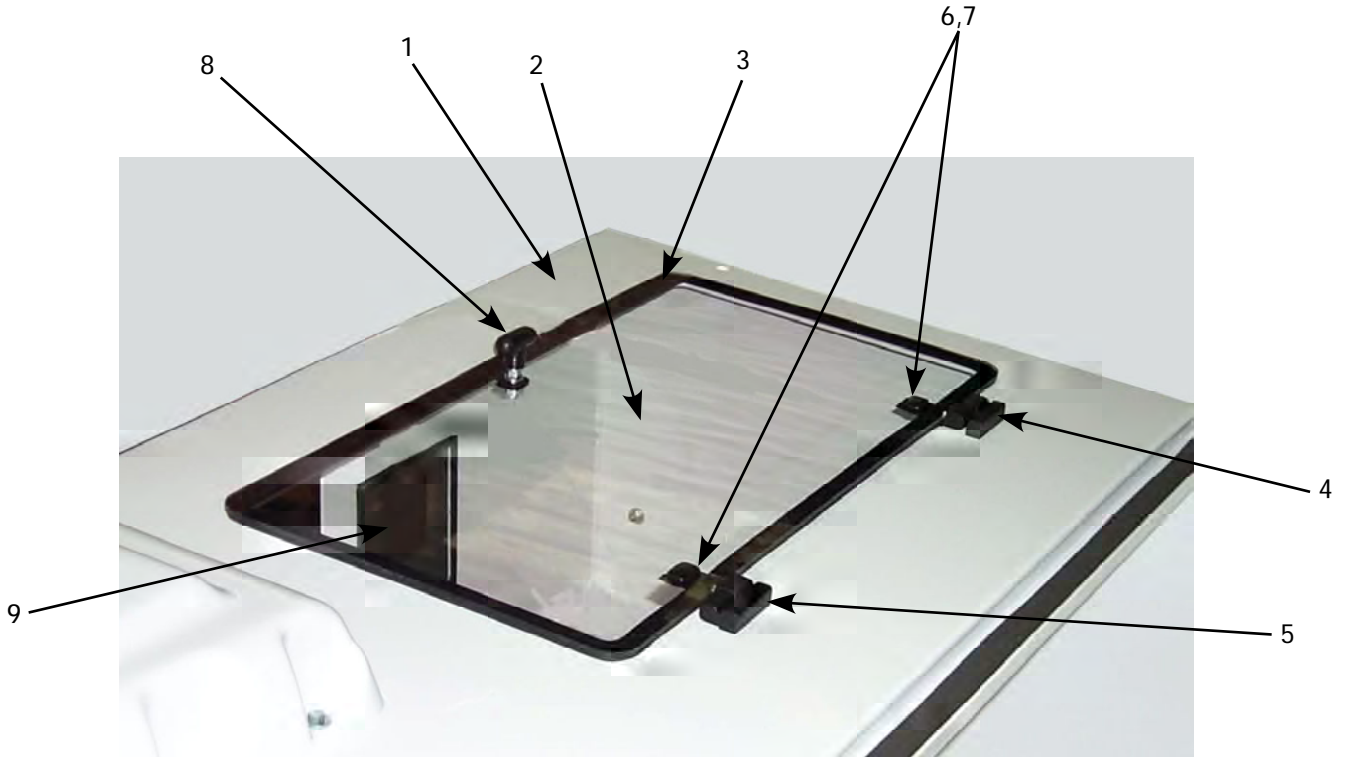
GROUP 7.1 SNOW TANK & CYLINDERS GROUP

IND	PART NO	DESCRIPTION	QTY	SERIAL NO
1	7A-15500	SNOW TANK	1	7164 -
2	16-70580	PIN	4	7164 -
3	5T-70575	CAPTURED PIN	2	7164 -
	HA-08009	SCREW, HEX HD, 5/16-18 X 3/4	2	7164 -
	HA-08980	NUT, HEX, 5/16-18	2	7164 -
	HA-08860	WASHER, FLAT, 5/16	2	7164 -
	1Z-01580	GREASE FITTING, 1/8 NPT	2	7164 -
5	HA-7064A	E-RING	10,12	7164 -
6	2X-2514A	CYLINDER, SNOW TANK, FISHER	2	7164 - 10649, 10651 - 10652, 10656 -
	2X-2514L	SEAL KIT, CYLINDER, FISHER	1	7164 - 10649, 10651 - 10652 10656 -
	2Y-53630	CYLINDER, SNOW TANK, SHUR-LIFT	2	10650, 10653 - 10655
	2Y-5363K	SEAL KIT, CYLINDER, SHUR-LIFT	1	10650, 10653 - 10655
7	49-38595	SAFETY STAND	1	7164 -
8	7D-73420	VENT, SNOW TANK	1	7164 -
	HA-06011	SCREW, HEX HD, 1/4-20 X 1	6	7164 -
	HA-06981	LOCKNUT, HEX, 1/4-20	6	7164 -
9	49-18380	SNOW SHIELD, CLEAR PLASTIC	1	7164 -
	49-18370	SNOW SHIELD, METAL (ONLY W/O PLASTIC WW TANK)	1	7164 -
10	41-42000	PULLEY	2	7164 -
11	HA-14860	FLAT WASHER, 1/2	2	7164 -
	HA-10862	FLAT WASHER, 3/8	2	7164 -
12	HA-08009	SCREW, HEX HS, 5/16-18 X 3/4	2	7164 -
	HA-08862	LOCKWASHER, 5/16, SPLIT	2	7164 -
13	49-17680	GUARD, SNOW TANK LID SPRING	2	7164 -
	HD-08984	NUT INSERT, 5/16-18	6	7164 -
	HA-08511	SCREW, TRUSS HD, 5/16-18 X 1	6	7164 -
	2H-0520A	PLASTIC TRIM	12.4FT	7164 -
14	2H-0520A	EDGE LINER	2	7164 -
15	10-19070	BUSHING	2	7164 -
	HA-14016	SCREW, HEX HD, 1/2-13 X 2	2	7164 -
	HA-14986	NUT, HEX, 1/2-13	2	7164 -
16	4F-15870	LID HOOK	2	7164 -
17	4F-15880	LINK	4	7164 -
	HA-10014	SCREW, HEX HD, 3/8-16 X1-1/2	4	7164 -
	HA-10981	NUT, HEX LOCK, 3/8-16	4	7164 -
18	33-40330	CABLE	2	7164 -
19	27-03210	CLIP	4	7164 -
20	1L-38730	SPRING	2	7164 -
	HA-10980	NUT, HEX, 3/8-16	2	7164 -
	HC-10215	EYEBOLT & NUT	2	7164 -
21	5T-10010	BRACKET	2	7164 -
	HA-14213	SCREW, CARRIAGE, 1/2-13 X 1-1/4	4	7164 -
	HC-14862	LOCKWASHER, 1/2	4	7164 -
	HA-14980	NUT, HEX, 1/2-13	4	7164 -
22	7B-0520A	WEAR STRIP	2	7164 -
23	2F-0013C	KIT, REAR SEAL, SNOW TANK LID	1	7164 -
24	8P-12680	PAD & WASHER ASSY	1	7164 -
	HA-10011	SCREW, 3/18-16 X 1	4	7164 -
	HA-10981	LOCKNUT, 3/18-16	2	7164 -

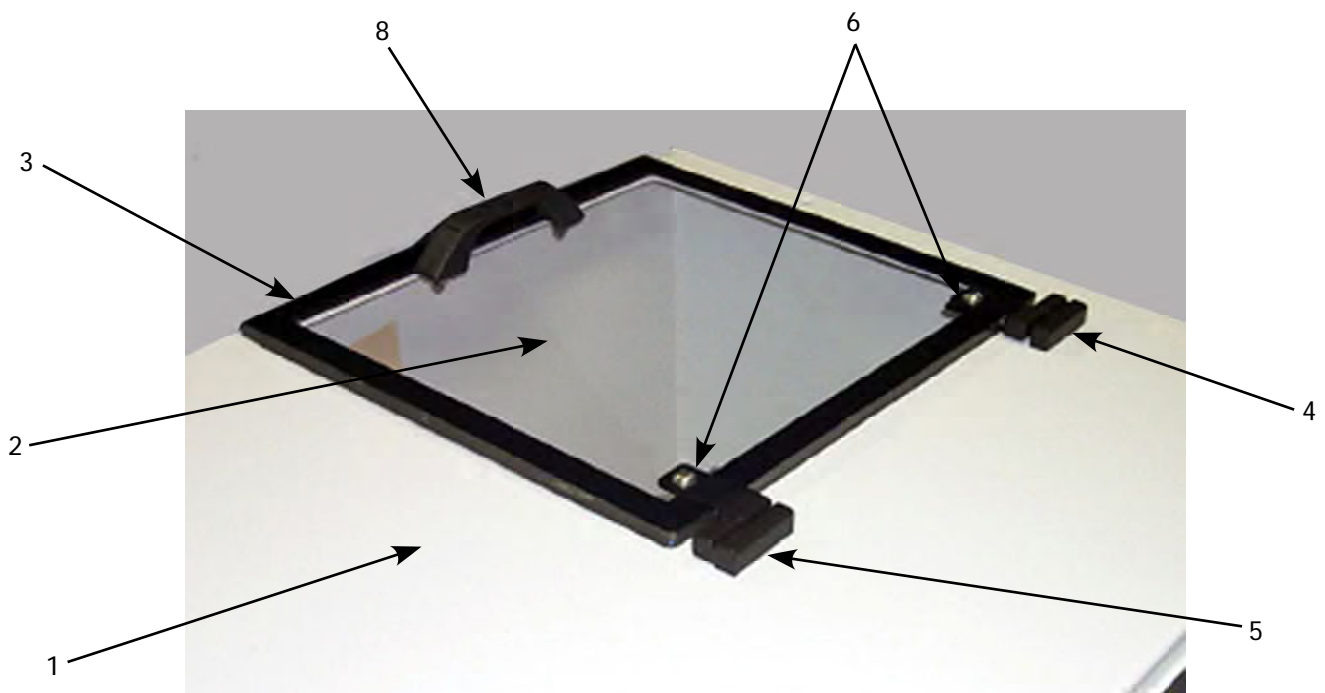
GROUP 7.1 SNOW TANK & CYLINDERS GROUP (CONT'D)

SNOW TANK WINDOW

7164-7198



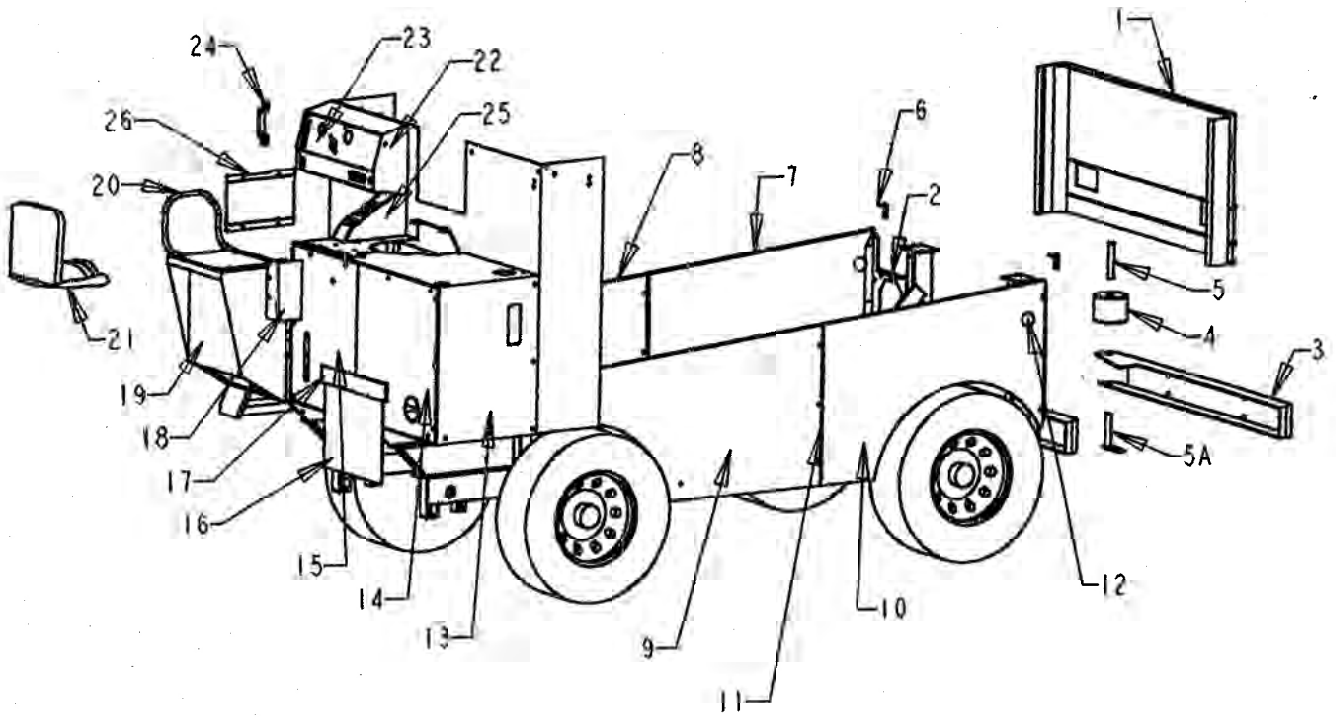
7199-UP



GROUP 7.1 SNOW TANK & CYLINDERS GROUP (CONT'D)

IND	PART NO	DESCRIPTION	QTY	SERIAL NO
25	7B-05860	LID, SNOWTANK	1	7164 - 9075
	7B-15600	LID, SNOWTANK, 2008 STYLE	1	9076 -
N/S	KZ-0522A	SNOW TANK LID ARM BRACE KIT	1	7164 -
	7B-0521A	PLASTIC WEAR PAD	1	7164 -
	HA-06609	SCREW, FLAT HD, 1/4-20 X 3/4	2	7164 -
	HA-06981	LOCKNUT, 1/4-20	2	7164 -
	7B-0522A	BRACE ROD, RH	1	7164 -
	7B-0522B	BRACE ROD, LH	1	7164 -
	HA-13980	NUT, HEX HD, 7/16-20	4	7164 -
	HA-13981	LOCKNUT, 7/16-20	4	7164 -
26	2F-00110	SEAL	2	7164 -
27	2F-0010A	SEAL	1	7164 -
28	10-2126A	BUSHING	2	7164 -
	HD-1861M	SCREW, HEX HD, 5/8-11 X 3-1/4, W/ZERK	2	7164 -
	HA-18860	WASHER, FLAT, 5/8	4	7164 -
	HA-18986	NUT, 5/8-11	2	7164 -
29	13-3728A	SPACER	2	7164 -
<u>SNOW TANK WINDOW</u>				
1	7A-15500	SNOW TANK	1	7164 -
2	7A-15510	SNOW TANK WINDOW	1	7164 - 7198
	49-04401	SNOW TANK WINDOW	1	7199 -
3	2F-0012X	SNOW TANK SEAL	5FT	7164 -
4	47-15500	HINGE, SNOW TANK WINDOW, LH	1	7164 -
5	47-15505	HINGE, SNOW TANK WINDOW, RH	1	7164 -
	HA-04704	SCREW, FILLISTER HD, 10-32 X 3/8	4	7164 -
	HA-04706	SCREW, FILLISTER HD, 10-32 X 1/2	4	7164 -
	HA-03862	LOCKWASHER, #10	4	7164 -
	HA-03867	FLAT WASHER, #10	4	7164 -
6	7A-15515	BRACKET, HINGE MOUNTING, RECT WINDOW	2	7164 - 7198
	49-04405	BRACKET, HINGE MOUNTING, SQUARE WINDOW	2	7199 -
7	47-15510	KIT, HINGE MOUNTING HARDWARE	2	7164 - 7198
8	4B-15500	KNOB	1	7164 - 7198
	HD-08020	STUD, 5/16-18 X 2-1/4	1	7164 - 7198
	HA-08980	NUT, HEX, 5/16-18	2	7164 - 7198
	HF-08862	LOCKWASHER, 5/16, SS	1	7164 - 7198
	HA-08981	LOCKNUT, 5/16-18	1	7164 - 7198
	HD-08865	WASHER, NYLON	2	7164 - 7198
	HF-08860	WASHER, 5/16, SS	2	7164 - 7198
	4A-40520	HANDLE	1	7199 -
9	7A-15525	COVER PLATE	1	7164 -
	HA-04706	SCREW, FILLISTER HD, 10-32 X 1/2	2	7164 -
	HA-04981	LOCKNUT, 10-32	2	7164 -
	HA-03867	FLAT WASHER, #10	2	7164 -
N/S	2M-0600A	MAGNETIC STRIP	2.6FT	7164 -
N/S	7A-15520	STRAP, WINDOW OPENING LIMITER, RECT WIND	1	7164 - 7198
N/S	49-04406	BRACKET, WINDOW OPENING LIMITER, SQUARE W	1	7199 -

GROUP 8.1 BODY PANELS, BUMPER GROUP



GROUP 8.1 BODY PANELS, BUMPER GROUP

IND	PART NO	DESCRIPTION	QTY	SERIAL NO
1	46-17550	PANEL, FRONT	1	7164 -
	HA-10009	SCREW, HEX HD, 3/8-16 X 3/4	8	7164 -
	HA-10860	WASHER, FLAT, 3/8	8	7164 -
	HA-10981	LOCKNUT, 3/8-16	8	7164 -
2	46-15320	FRONT PANEL MOUNTING BRACKET	2	7164 -
	HF-10011	SCREW, S.S., HEX HEAD, 3/8-16 X 1	4	7164 -
	HF-10860	WASHER, FLAT, S.S., 3/8	8	7164 -
	HF-10862	LOCKWASHER, S.S., 3/8	4	7164 -
3	8T-15800	BUMPER	1	7164 - 7203
	8T-15805	BUMPER	1	7258 -
	HA-14213	SCREW, CARRIAGE, 1/2-13 X 1-1/4	4	7164 - 7203
	HA-14214	SCREW, CARRIAGE, 1/2-13 X 1-1/2	4	7258 -
	HA-14980	NUT, HEX, 1/2-13	4	7164 -
	HA-14862	WASHER, LOCK, 1/2	4	7164 -
4	8R-16700	GUIDE WHEEL ASSY	1	7164 - 7203
	8R-16800	GUIDE WHEEL	1	7258 -
	HP-32894	WASHER, FLAT, NYLON	1	7164 -
5	15-15850	PIN, GUIDE ROLL	1	7164 - 7203
	HA-55716	COTTER PIN, 1/4 X 2	1	7164 - 7203
	15-15520	SHAFT & STRAP, GUIDE WHEEL	1	7258 -
	HF-10013	SCREW, HEX HEAD, 3/8-16 X 1-1/4	1	7258 -
	HF-10981	NYLON NUT, HEX LOCK, 3/8-16	1	7258 -
	HF-08860	WASHER, FLAT, 5/16	2	7258 -
6	46-12570	BRACKET, DOOR SUPPORT	2	7164 -
7	46-25521	PANEL, LEFT DOOR	1	7164 -
	HA-04706	SCREW, 10-32 X 1/2	8	7164 -
	HA-04981	LOCKNUT, HEX, 10-32	8	7164 -
	1L-0520C	SPRING, DOOR	1	7164 -
8	46-15535	PANEL, LEFT SIDE	1	7164 -
	HA-08009	SCREW, HEX HD, 5/16-18 X 3/4	6	7164 -
	HA-08862	WASHER, FLAT, 5/16	6	7164 -
	HA-08981	LOCKNUT, 5/16-18	6	7164 -
	8T-12540	BUMPER, DOOR	1	7164 -
	HA-04711	SCREW, 10-32 X 1	1	7164 -
	HA-05862	WASHER, FLAT	1	7164 -
	HA-04981	LOCKNUT, 10-32	1	7164 -
9	46-15540	PANEL, RIGHT SIDE	1	7164 -
	HA-08009	SCREW, HEX HD, 5/16-18 X 3/4	6	7164 -
	HA-08860	WASHER, FLAT, 5/16	6	7164 -
	HA-08981	LOCKNUT, 5/16-18	6	7164 -
	8T-12540	BUMPER, DOOR	1	7164 -
	HA-04711	SCREW, 10-32 X 1	1	7164 -
	HA-05862	WASHER, FLAT	1	7164 -
	HA-04981	LOCKNUT, 10-32	1	7164 -
10	46-25541	PANEL, RIGHT DOOR	1	7164 -
	HA-04706	SCREW, FILLISTER HD, 10-32 X 1/2	8	7164 -
	HA-04981	LOCKNUT, HEX, 10-32	8	7164 -
	1L-0520C	SPRING, DOOR	1	7164 -
11	47-17720	HINGE	1	7164 -
N/S	2F-00553	WEAR STRIP, DOOR	2	7164 -
12	47-17840	LATCH, LEFT SIDE DOOR	1	7164 -
	47-17850	LATCH, RIGHT SIDE DOOR	1	7164 -
13	46-15378	PANEL	1	7164 -
	HA-08009	SCREW, HEX HD, 5/16-18 X 3/4	10	7164 -
	HA-08862	WASHER, LOCK, 5/16	7	7164 -
	HA-08900	SPEEDNUT, "J" TYPE	5	7164 -
	HA-08981	NUT, LOCK, HEX, 5/16-18	3	7164 -

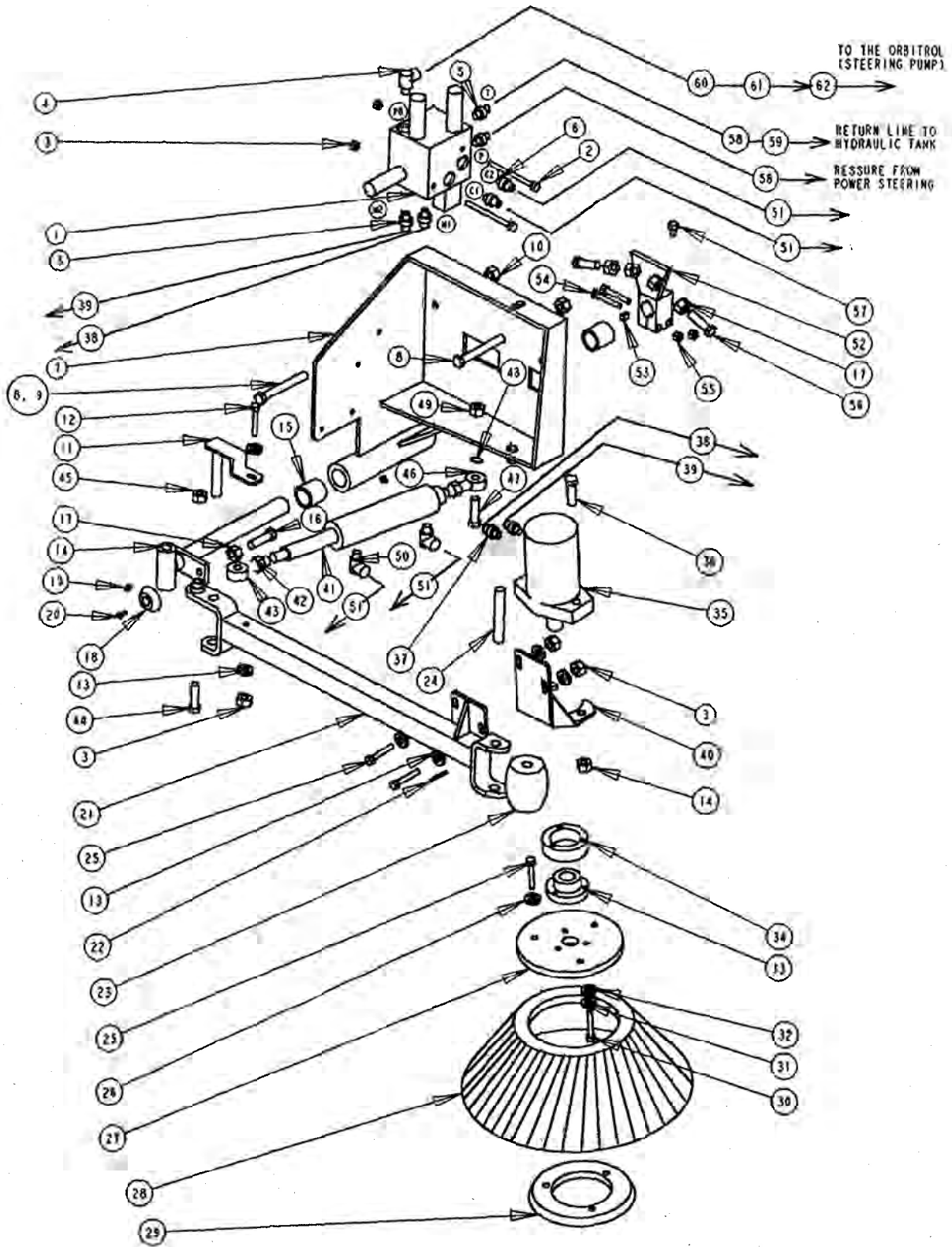
GROUP 8.1 BODY PANELS, BUMPER GROUP (CONT'D)

IND	PART NO	DESCRIPTION	QTY	SERIAL NO
14	46-15415	REAR PANEL, RIGHT	1	7164 -
	HA-08009	SCREW, HEX HD, 5/16-18 X 3/4	5	7164 -
	HA-08862	WASHER, LOCK, 5/16	6	7164 -
	HA-08860	WASHER, FLAT, 5/16	2	7164 -
	HA-08900	SPEED NUT, "J" TYPE	7	7164 -
	HA-08990	NUT, WING, 5/16	1	7164 -
	HA-08007	STUD, 5/16-18 X 1-3/4	1	7164 -
15	46-15393	REAR PANEL, LEFT	1	7164 -
	HA-08009	SCREW, HEX HD, 5/16-18 X 3/4	4	7164 -
	HA-08862	WASHER, LOCK, 5/16	5	7164 -
	HA-08860	WASHER, FLAT, 5/16	2	7164 -
	HA-08900	SPEED NUT, "J" TYPE	2	7164 -
	HA-08007	STUD, 5/16-18 X 1-3/4	1	7164 -
	HA-08990	WING NUT, 5/16	1	7164 -
	HA-08990	NUT, WING, 5/16	1	7164 -
	HA-08007	STUD, 5/16-18 X 1-3/4	1	7164 -
16	49-42460	FLAP, REAR PANEL	1	7164 -
17	1M-42100	STRAP, SNOW FLAP	1	7164 -
18	46-39772	COVER, PARKING BRAKE LEVER	1	7164 -
19	7H-05520	SUPPORT, OPERATOR SEAT	1	7164 -
	7P-04420	KEY, CONTROL BOX, PICO	1	7164 - 9360
	7P-04422	KEY, CONTROL BOX, SPAN	1	9361 -
20	7H-1524C	HAND RAIL	1	7164 -
	HA-06009	SCREW, HEX HD, 1/4-20 X 3/4	2	7164 -
	HA-06981	LOCKNUT, HEX, 1/4-20	2	7164 -
	HA-08981	LOCKNUT, HEX, 5/16-18	12	7164 -
21	7H-72900	SEAT ASSY, OPERATOR	1	7164 -
	HF-08313	SCREW, SKT FLAT HD, 5/16-18 X 1-1/4	4	7164 -
	7H-79400	BOTTOM SEAT CUSHION	1	7164 -
	7H-79410	BACK SEAT CUSHION	1	7164 -
22	46-05540	INSTRUMENT PANEL, HINGED FACE	1	7164 -
23	46-05520	FACE, INSTRUMENT PANEL	1	7164 -
	HA-72902	SPEED NUT, 5/16-18	6	7164 -
	HF-08109	SCREW, BUTTON HD, 5/16-18 X 3/4	6	7164 -
24	4A-40510	HAND GRIP	2	7164 -
25	46-18940	CONSOLE	1	7164 -
	HA-06108	SCREW, SOCKET HD, 1/4-20 X 3/4	2	7164 -
26	7F-05026	COVER	1	7164 -

GROUP 9.1 INSTRUCTION PLATES & NAMEPLATES GROUP

IND	PART NO	DESCRIPTION	QTY	SERIAL NO
N/S	81-16040	ZAMBONI NAMEPLATE	1	7164 -
N/S	81-55235	OPERATING INSTRUCTIONS	1	7164 -
N/S	81-18440	BOARD BRUSH SERIAL NUMBER	1	7164 -
N/S	81-18790	SERIAL NUMBER & PATENT	1	7164 -
N/S	81-41370	HYDRAULIC OIL	1	7164 -
N/S	81-75500	DANGER...HANDS & FEET...	1	7164 -
N/S	81-75520	BLADE ANGEL	1	7164 -
N/S	81-75570	ICE MAKING WATER	1	7164 -
N/S	81-75580	WASH WATER	1	7164 -
N/S	81-77050	NO RIDING ON CONDITIONER	1	7164 -
N/S	81-77070	NAMEPLATE, CONTROL VALVE, LH	1	7164 -
N/S	81-77075	NAMEPLATE, CONTROL VALVE, RH	1	7164 -
N/S	81-77080	USE SAFETY STAND	1	7164 -
N/S	81-2000B	DANGER... USE SAFETY STAND...	1	7164 -
N/S	81-2000C	DANGER... MOVING PARTS...	5	7164 -
N/S	81-2000D	DANGER... NO RIDERS...	2	7164 -
N/S	81-2000E	DANGER... ROTATING PARTS...	2	7164 -
N/S	81-2000F	DANGER... MOVING PARTS...	1	7164 -
N/S	81-2000P	DANGER... NO RIDERS...	1	7164 -
N/S	81-7000A	SIGN DANGER NO SMOKING CHARGING	1	7164 -
N/S	81-7000B	SIGN DANGER BATTERY CHARGING AREA	1	7164 -
N/S	81-7000C	SHUT OFF CHARGER DISCONNECT	1	7164 -
N/S	81-7000E	DANGER AUTHORIZED PERSONNEL ONLY	1	7164 -
N/S	81-2000H	DANGER ELECTRICAL EQUIPMENT	1	7164 -
N/S	81-79552	TIRE PRESSURE	4	7164 -
N/S	81-79553	DANGER CHARGER	1	7164 -
N/S	83-0552A	FUSE PANEL	1	7164 -
N/S	81-79100	SWITCH SYMBOLS	1	7164 -
N/S	81-0400J	CONTROL RODS	1	7164 -
N/S	81-79651	DECAL, B+	1	7164 -
N/S	81-79652	DECAL, B-	1	7164 -
N/S	81-79653	DECAL, A1	2	7164 -
N/S	81-79654	DECAL, A2	1	7164 -
N/S	81-79655	DECAL, S1	1	7164 -
N/S	81-79656	DECAL, S2	2	7164 -

GROUP 10.1 OPTIONS. BOARD BRUSH GROUP

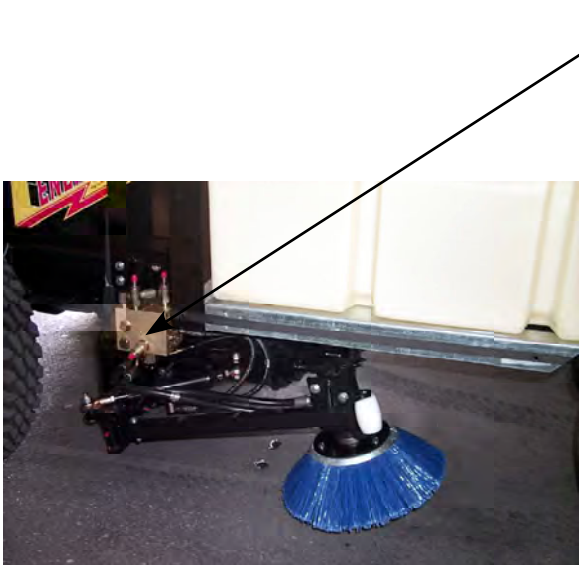
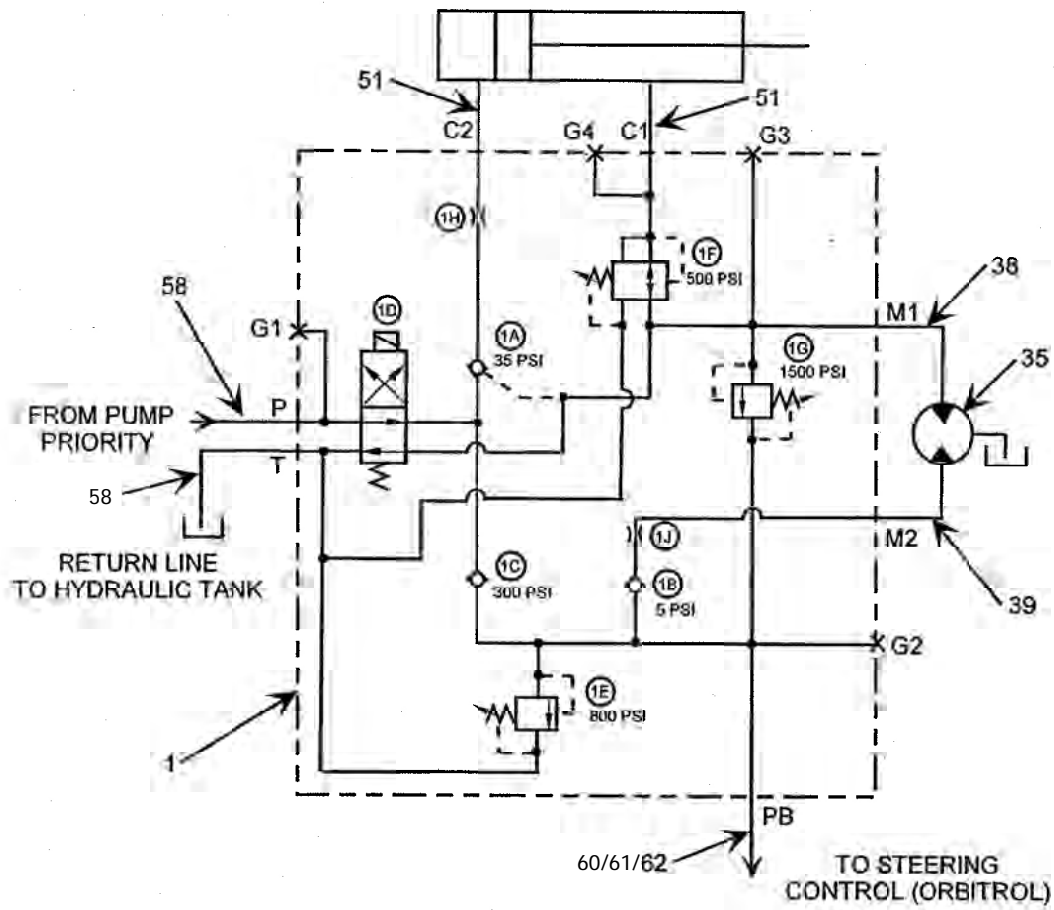


GROUP 10.1 OPTIONS. BOARD BRUSH GROUP

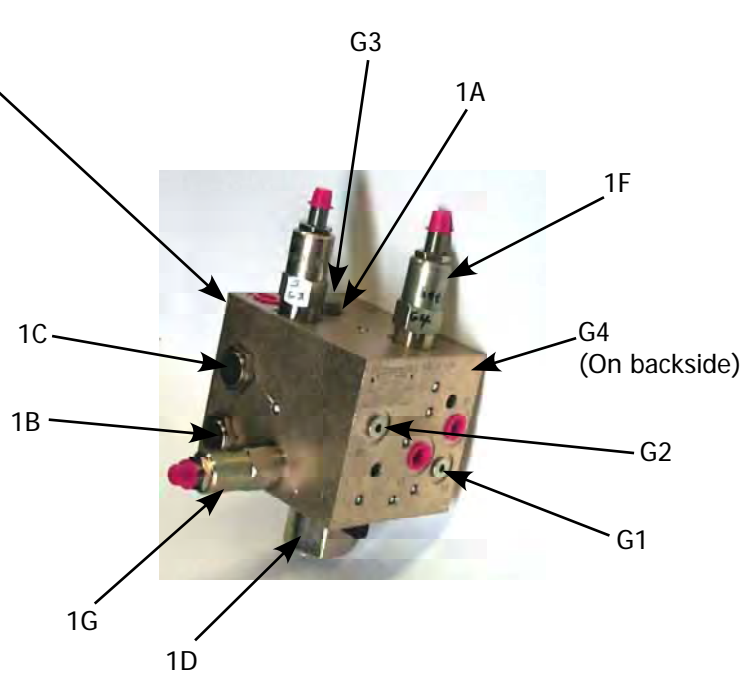
IND	PART NO	DESCRIPTION	QTY	SERIAL NO
1	2V-9045A	CONTROL VALVE MANIFOLD BLOCK (FP)	1	7164 -
2	HA-08027	SCREW, HEX HD, 5/16-18 X 5-1/2	2	7164 -
3	HA-08981	LOCKNUT, HEX, 5/16-18	2	7164 -
4	F1-69030	90° ELBOW	1	7164 -
5	F1-62090	ADAPTER	4	7164 -
6	F1-64330	ADAPTER	1	7164 -
7	4F-55250	MOUNTING PAN	1	7164 -
8	HA-13020	SCREW, HEX HD, 7/16-20 X 3	3	7164 -
9	HA-13021	SCREW, HEX HD, 7/16-20 X 3-1/4	1	7164 -
10	HA-13981	LOCKNUT, HEX, 7/16-20	2	7164 -
11	15-62140	PIN, ARM	1	7164 -
12	HA-08017	SCREW, HEX HD, 5/16-18 X 2-1/4	1	7164 -
13	HA-08860	FLATWASHER, 5/16	6	7164 -
14	4F-55106	SHAFT, PIVOT ARM	1	7164 -
15	10-3624H	BUSHING	2	7164 -
16	HA-14008	SCREW, HEX HD, 1/2-13 X 1-1/4 W/10-32 THD	1	7164 -
17	HA-14982	NUT, THIN, 1/2-13	3	7164 -
18	8T-12530	BUMPER	1	7164 -
19	1Z-01620	GREASE FITTING, 1/4-28	2	7164 -
20	HA-04706	SCREW, FILLISTER HD, 10-32 X 1/2	1	7164 -
21	4F-55005	WELDMENT, BB ARM	1	7164 -
22	15-81116	ROLL PIN	1	7164 -
23	8R-0500A	ROLLER	1	7164 -
24	15-62130	PIN, HINGE	1	7164 -
25	HA-08011	SCREW, HEX HD, 5/16-18 X 1	5	7164 -
26	HA-08862	LOCKWASHER, 5/16	3	7164 -
27	5V-62024	PLATE	1	7164 -
28	5V-62020	BRUSH	1	7164 -
29	5V-62022	BRUSH RING, LOWER	1	7164 -
30	HA-06012	SCREW, SKT HD, 1/4-20 X 1-3/8	3	7164 -
31	HA-06862	LOCKWASHER, 1/4	3	7164 -
32	N/A			
33	43-73380	BUSHING	1	7164 -
34	5V-0500B	ADAPTER	1	7164 -
35	2M-62060	HYDRAULIC MOTOR	1	7164 -
36	HA-12013	SCREW, HEX HD, 7/16-14 X 1-1/4	2	7164 -
37	F1-62180	ADAPTER	2	7164 -
38	PM-3102B	HOSE, 3/8 X 25	1	7164 -
39	PM-3102A	HOSE, 3/8 X 26	1	7164 -

GROUP 10.1 OPTIONS. BOARD BRUSH GROUP (CONT'D)

2V-9035A BOARD BRUSH MANIFOLD-HYDRAULIC SCHEMATIC



Front of the machine



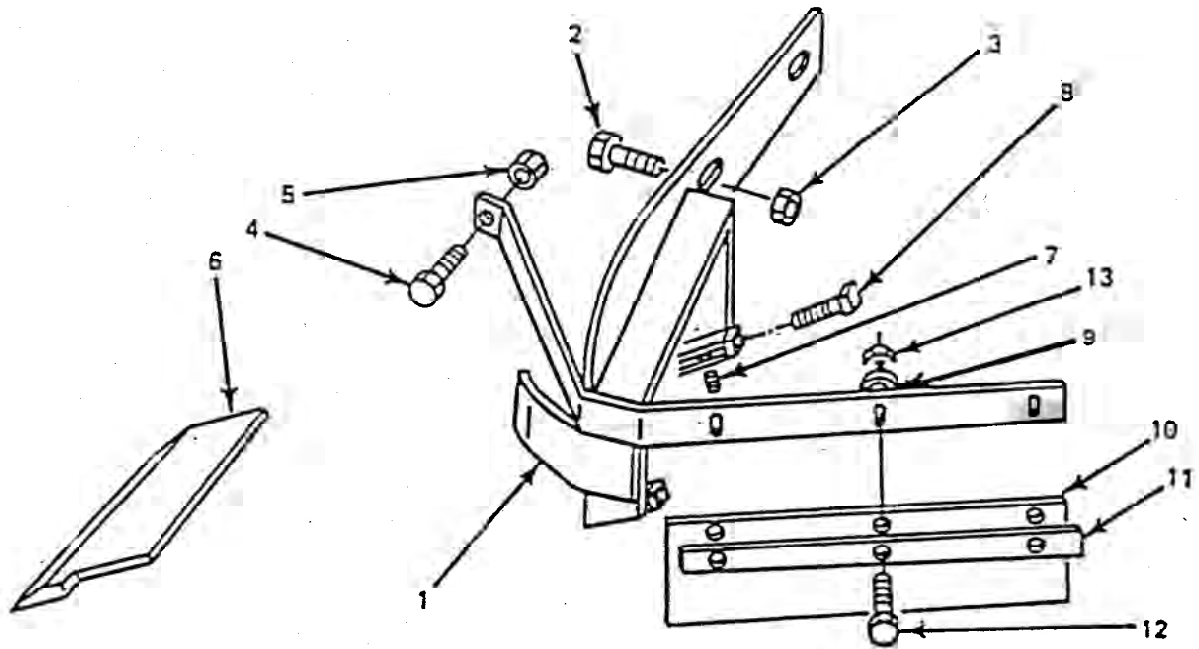
GROUP 10.1 OPTIONS, BOARD BRUSH GROUP (CONT'D)

IND	PART NO	DESCRIPTION	QTY	SERIAL NO
40	4F-55045	MOTOR MTG BRACKET	1	7164 -
41	2X-87600	HYDRAULIC CYLINDER	1	7164 -
42	HA-15988	NUT, HEX, THIN, 1/2-20	2	7164 -
43	4J-04060	ROD END	1	7164 -
44	HA-14017	SCREW, HEX HD, 1/2-13 X 2-1/4	1	7164 -
45	HA-14986	LOCKNUT, 1/2-13	1	7164 -
46	4J-04050	ROD END	1	7164 -
47	HA-15018	SCREW, HEX HD, 1/2-20 X 2-1/2	1	7164 -
48	HA-14861	FLATWASHER, 1/2	2	7164 -
49	HA-15986	LOCKNUT, 1/2 -20	1	7164 -
50	F2-69010	90° ELBOW	2	7164 -
51	PM-1072A	HOSE, 1/4 X 18	2	7164 -
52	4F-55143	STOP PLATE	1	7164 -
53	15-02108	KEY, 1/4SQ X 1-1/4	1	7164 -
54	HA-10017	SCREW, HEX HD, 3/8-16 X 2-1/4	2	7164 -
55	HA-10981	LOCKNUT, 3/8-16	2	7164 -
56	HA-14014	SCREW, HEX HD, 1/2-13 X 1-1/2	2	7164 -
57	HA-06009	SCREW, HEX HD, 1/4-20 X 3/4	1	7164 -
58	PM-3595A	HOSE, 3/8 X 121	2	7164 -
59	F1-64330	ADAPTER	1	7164 -
60	PM-3220D	HOSE, 3/8 X 55	1	7164 -
61	F3-64310	ADAPTER	1	7164 -
62	PM-3304B	HOSE, 3/8 X 76	1	7164 -
	F1-62090	ADAPTER	1	7164 -

CONTROL VALVE MANIFOLD BLOCK

1	2V-9045A	CONTROL VALVE, MANIFOLD BLOCK (FP)	1	7164 -
1A	2V-9035B	CHECK VALVE, 35 PSI, MANIFOLD BLOCK	1	7164 -
1B	2V-9035C	CHECK VALVE, 5 PSI, MANIFOLD BLOCK	1	7164 -
1C	2V-9035D	CHECK VALVE, 300 PSI, MANIFOLD BLOCK	1	7164 -
1D	2V-9035E	SOLENOID VALVE, MANIFOLD BLOCK	1	7164 -
	2V-9029C	COIL, SOLENOID VALVE, MANIFOLD BLOCK	1	7164 -
1E	2V-9035F	RELIEF VALVE, 800 PSI, MANIFOLD BLOCK	1	7164 -
1F	2V-9035H	PRESSURE REDUCING VALVE, MANIFOLD BLOCK	1	7164 -
1G	2V-9035G	RELIEF VALVE, 1500 PSI, MANIFOLD BLOCK	1	7164 -
1H	2V-9035J	REMOVABLE ORIFICE, MANIFOLD BLOCK	1	7164 -
1J	2V-9035K	REMOVABLE ORIFICE, MANIFOLD BLOCK	1	7164 -

GROUP 10.1 OPTIONS. EDGER GROUP



GROUP 10.1 OPTIONS, EDGER GROUP

IND	PART NO	DESCRIPTION	QTY	SERIAL NO
	KZ-74820	EDGER KIT, INCLUDING ITEMS 1 THRU 13	1	7164 -
1	5E-71200	FRAME, EDGER	1	7164 -
2	HA-18014	SCREW, HEX HD, 5/8-11 X 1-1/2	2	7164 -
3	HA-18986	NUT, HEX FLEXLOCK, 1/2-13	2	7164 -
4	HA-14014	SCREW, HEX HD, 1/2-13 X 1-1/2	1	7164 -
5	HA-14986	NUT, HEX, FLEXLOCK, 1/2-13	1	7164 -
6	5E-71770	BLADE, EDGER	1	7164 -
7	HD-0840F	SOCKET SET SCREW, 5/8-16 X 3/8	2	7164 -
8	HD-1451F	SET SCREW, SQUARE HD, 1/2-13 X 2-1/2	2	7164 -
9	HA-10860	FLAT WASHER, 3/8	3	7164 -
10	5M-76500	SQUEEGEE, EDGER	1	7164 -
11	1M-33780	BAR, SQUEEGEE RETAINING	1	7164 -
12	HA-10014	SCREW, HEX HD, 3/8 X 1-1/2	3	7164 -
13	HA-10981	NUT, HEX FLEXLOCK, 1/2-13	1	7164 -