

PARTS LIST

MODEL
552
GE

SN'S 4493- 7113



ZAMBONI®

ZAMBONI USA

Frank J. Zamboni & Co., Inc.
15714 Colorado Ave, Paramount CA 90723 U.S.A.
Phone: 562.633.0751 Fax: 562.633.9365

ZAMBONI CANADA

Zamboni Company Ltd.
38 Morton Ave. East., Box 1388, Brantford Ontario, N3T 5T6 Canada
Phone: 519.758.5000 Fax: 519.758.0500

IMPORTANT SAFETY NOTICE

In addition to following proper operational procedures, periodic lubrication and maintenance is important for the safe and reliable performance of your Zamboni ice resurfacing machine.

Improper operation, improper maintenance or lack of maintenance of this machine is dangerous and could result in injury or death.

Read, understand and observe all safety precautions, warnings and labels described in this machine's Operating Instructions before performing lubrication or maintenance and prior to operating this machine.

These warnings in the manuals and on the machine are identified by the symbol:

DANGER



Operations that may cause product damage are identified on the product and in this publication. Zamboni cannot anticipate every possible circumstance that might involve potential hazard.

DANGER



Do not operate or perform maintenance on this machine unless you have read and understood the machine's Operating Instructions. Improper machine operation and maintenance is dangerous and could result in injury or death. Contact Zamboni for free replacement manuals. Proper operation and maintenance is your responsibility.

This Parts List is applicable to all Zamboni Model 552 ice resurfacers and includes identification of optional equipment not present on all machines.

The right column of the Parts List indicates the serial number range of the machines for which a given part is applicable. Items which are listed without an index number are usually closely related to the preceding indexed item and in most cases identify a fastener used with that indexed item.

WHEN ORDERING REPLACEMENT PARTS, PLEASE SUPPLY THE FOLLOWING:

- Part Number (please use the new part number if old and new are listed)
- Description
- Quantity required
- Model number and serial number of your machine
- Shipping instructions (air, surface, parcel post)

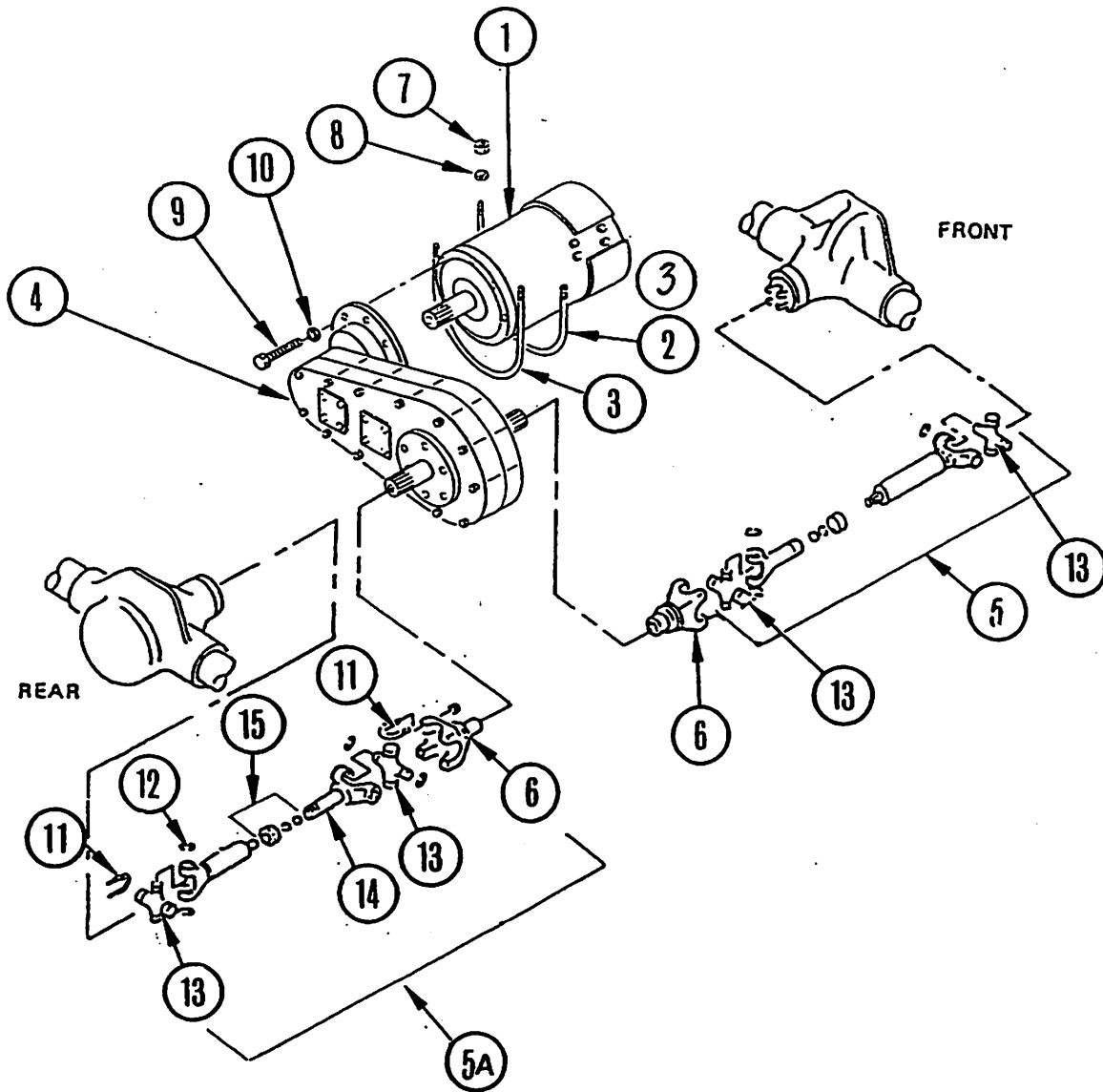
For a list of the most current publications or if you have any questions regarding the correct part number for your machine, please contact our customer service department:

Frank J Zamboni & Co., Inc.
15714 Colorado Avenue
Paramount CA 90723 U.S.A.
Phone: 562.633.0751
Fax: 562.633.9365

*** Z A M B O N I ® ***
MODEL 552 PARTS LIST

<u>GROUP</u>	<u>DESCRIPTION</u>	<u>PAGE</u>
55-0020A	POWER TRAIN GROUP	1 - 2
55-0020B	AXLES, WHEELS, SUSPENSION GROUP	3 - 9
55-0021A	BRAKE SYSTEM GROUP	10-13
55-0025A	STEERING GROUP	14-15
55-0030A	SCR CONTROLS GROUP	16-17
55-0030B	ENCLOSURES GROUP	18-19
55-0031A	ELECTRIC CONTROLS GROUP	20-23
55-0032A	POWER CABLES GROUP	24-25
55-0035A	BATTERY GROUP	26-27
55-0036A	BATTERY CHARGER GROUP	28-29
55-0040A	HYDRAULIC OIL TANK GROUP	30-32
55-0041A	HYDRAULIC HOSE GROUP	33-40
55-0042A	HYDRAULIC CONTROL VALVES AND HAND PUMP GROUP	41-44
55-0050A	VERT CONVEYOR, SNOW BREAKER GROUP	45-48
55-0060A	CONDITIONER FRAME GROUP	49-50
55-0061A	CONDITIONER BLADE GROUP	50-52
55-0062A	CONDITIONER WATER SYSTEM GROUP	52
55-0063A	CONDITIONER LIFT GROUP	53-55
55-0070A	ICE WATER TANK GROUP	56-57
55-0071A	WASH WATER TANK W/O TRANSFER GROUP	58-63
55-0080A	SNOW TANK & CYLINDERS GROUP	63-67
55-0081A	BODY PANELS, BUMPER GROUP	69-72
55-0082A	INSTRUCTION, NAMEPLATES GROUP	73-74
55-0100A	OPTIONS GROUP	75-86

GROUP 55-0020A
POWER TRAIN GROUP

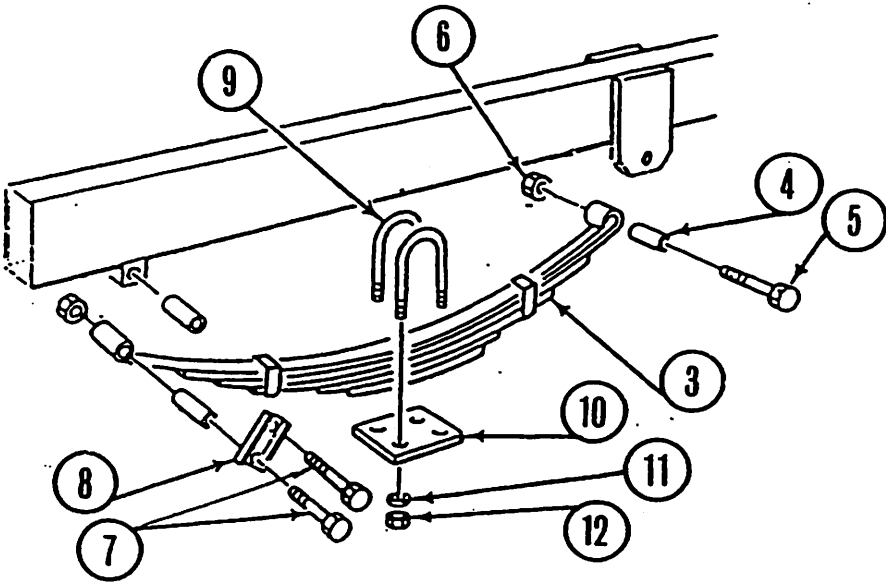
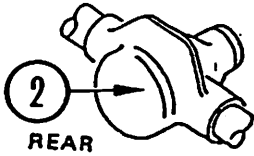
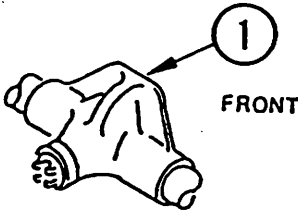


GROUP 55-0020A
POWER TRAIN GROUP

IND	PART NO	DESCRIPTION	QTY	SERIAL NO
1	2L-5520A	MOTOR, ELECTRIC, M552 TRACTION	1	4493-
N/S	2L-55223	BRUSH, ELECTRIC MOTOR	4	4493-
2	1K-5520A	U-BOLT, TD MOTOR, FRONT	1	4493-6311
3	1K-5520B	U-BOLT, TD MOTOR, FRONT & REAR	2,1	4493-
4	2J-5520A	GEAR BOX	1	4493-
	HD-1361L	BOLT (Used for gear box removal from the traction motor)	A/R	4493-
5	1H-16210	DRIVE SHAFT, FRONT & REAR	2	4493-4944,5000
5A	1H-16220	DRIVE SHAFT, FRONT	1	4945-
5	1H-16210	DRIVE SHAFT, REAR	1	4945-
6	1H-74670	YOKE, DRIVE, SHAFT END	2	4493-
	HA-12014	SCREW, HEX HD, 7/16-14 X 1-1/2	2	4493
	HA-12862	LOCKWASHER, 7/16	2	4493-
	HD-12862	WASHER, 15/32 X 1-1/2 X 3/16	2	4493-
7	HF-14980	NUT, STAINLESS HEAVY HEX, 1/2-13	4	4493-
8	HF-14862	LOCKWASHER, STAINLESS, 1/2	4	4493-
9	HA-10015	SCREW, HEX HD, 3/8-16 X 1-3/4	7	4493-
10	HA-10862	LOCKWASHER, 3/8	7	4493-
	HA-08862	LOCKWASHER, 5/16	1	4493-
11	1L-73040	U-BOLT, NUT AND WASHER	8	4493-
12	1F-73060	SNAP-RING	8	4493-
13	1F-73050	CROSS BEARING	4	4493-
14	1F-72950	SLIP TUBE YOKE	2	4493-
15	1F-72970	DUST CAP ASSY	2	4493-

GEAR BOX OIL CAPACITY – 5 U.S. PTS, 2.4 L

GROUP 55-0020B
AXLES, WHEELS, SUSPENSION GROUP

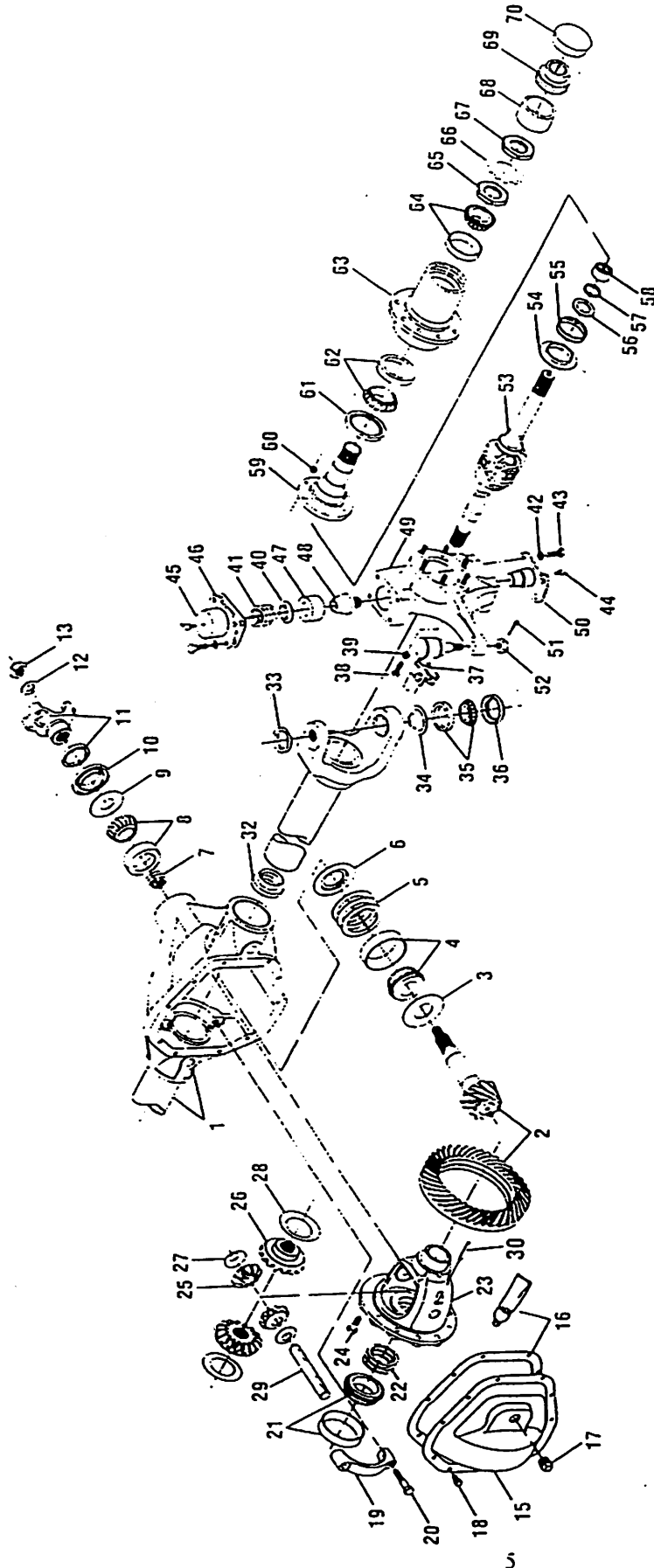


GROUP 55-0020B
AXLES, WHEELS, SUSPENSION GROUP

IND	PART NO	DESCRIPTION	QTY	SERIAL NO
1	KZ-55200	KIT, 60F FRONT AXLE W/DISC BRAKES	1	4493-4944,5000
	1D-16698	FRONT AXLE W/DISC BRAKES	1	4945-
	1K-16470	U-BOLT, 1/2-20, 3.31 OC X 5, RD, FRONT	4	4493-4944,5000
	HD-15981	NUT, HIGH HEX, 1/2-20	8	4493-4944,5000
	HA-14862	LOCKWASHER, 1/2	8	4493-4944,5000
	1K-55210	U-BOLT, 5/8-18, 3.81 OC X 5.5, RD, FRONT	2	4945-6588
	HD-19990	NUT, HIGH HEX, 5/8-18	4	4945-6588
	HA-18862	LOCKWASHER, 5/8	4	4945-6588
	1K-55215	U-BOLT, 3/4-16, 3.81 OC X 5.44, RD, FRONT	2	6589-
	HA-23983	NUT, HIGH HEX, 3/4-16	4	6589-
	HA-22862	LOCKWASHER, 3/4	4	6589-
2	1E-16650	REAR AXLE W/BRAKE CABLES	1	4493-4945,5000
	1E-16655	REAR AXLE W/BRAKE CABLES	1	4981-
3	1L-75100	SPRING, 5 LEAF, 31-1/4, W/BUSHING	2	4493-
4	10-40500	BUSHING, 7/16 1D X 1-3/4	6	4493-
5	HA-13021	SCREW, HEX HD, 7/16-20 X 3-1/4	2	4493-
6	HA-13981	LOCKNUT, HEX HD, 7/16-20	6	4493-
7	HA-13020	SCREW, HEX HD, 7/16-20 X 3	4	4493-
8	1M-40510	STRAP, SPRG SHACKLE, PRIMED	4	4493-
9	1K-73360	U-BOLT, 1/2-20, 3.69 X 6.5, RD, REAR	4	4493-
10	1P-73340	PLATE, 1/2 X 4 X 5-1/2, 5 HOLES	2	4493-
	10-1605A	BSHNG, .52 ID, .63 OD, 5/16 L	2	4493-
11	HA-14862	LOCKWASHER, 1/2	8	4493-
12	HD-15981	NUT, HIGH HEX, 1/2-20	8	4493-
N/S	1B-2566A	WHEEL, 16 X 6, WHITE SPOKE (USE 1B-2600W)	5	4493-4638
N/S	1B-2566C	WHEEL, 16 X 6, CHROME SPOKE (USE 1B-2600C)	5	4782-
N/S	1B-2600C	WHEEL, 16 X 7 CHROME SPOKE	5	4854-
N/S	1B-51722	TIRE, STUDED	5	4493-6305
N/S	1B-0700D	TIRE, STUDED	5	6306-
N/S	1A-1166F	WHITE WHEEL/STUDED TIRE ASSY	5	4493-4638
N/S	1A-1166H	CHROME WHEEL/STUDED TIRE ASSY	5	4782-4853
N/S	1A-2600C	CHROME WHEEL/STUDED TIRE ASSY	5	4854-6305
N/S	1A-2600D	CHROME WHEEL/STUDED TIRE ASSY	5	6306-
N/S	HA-15989	NUT, WHL LUG, 1/2-20RH, PLAIN	32	4493-4638
N/S	HD-1600C	NUT, WHL LUG, 1/2-20, CHROME	32	4782-
N/S	FD-04160	90 STREET ELBOW	2	6307-

	WITHOUT STREET ELBOW	WITH STREET ELBOW
AXLE OIL CAPACITY - FRONT	7 U.S. PTS, 3.1 L	9.1 U.S. PTS, 4.3 L
AXLE OIL CAPACITY - REAR	7 U.S. PTS, 3.1 L	9.1 U.S. PTS, 4.3 L

GROUP 55-0020B
AXLES, WHEELS, SUSPENSION GROUP (cont'd)



GROUP 55-0020B
AXLES, WHEELS, SUSPENSION GROUP (cont'd)

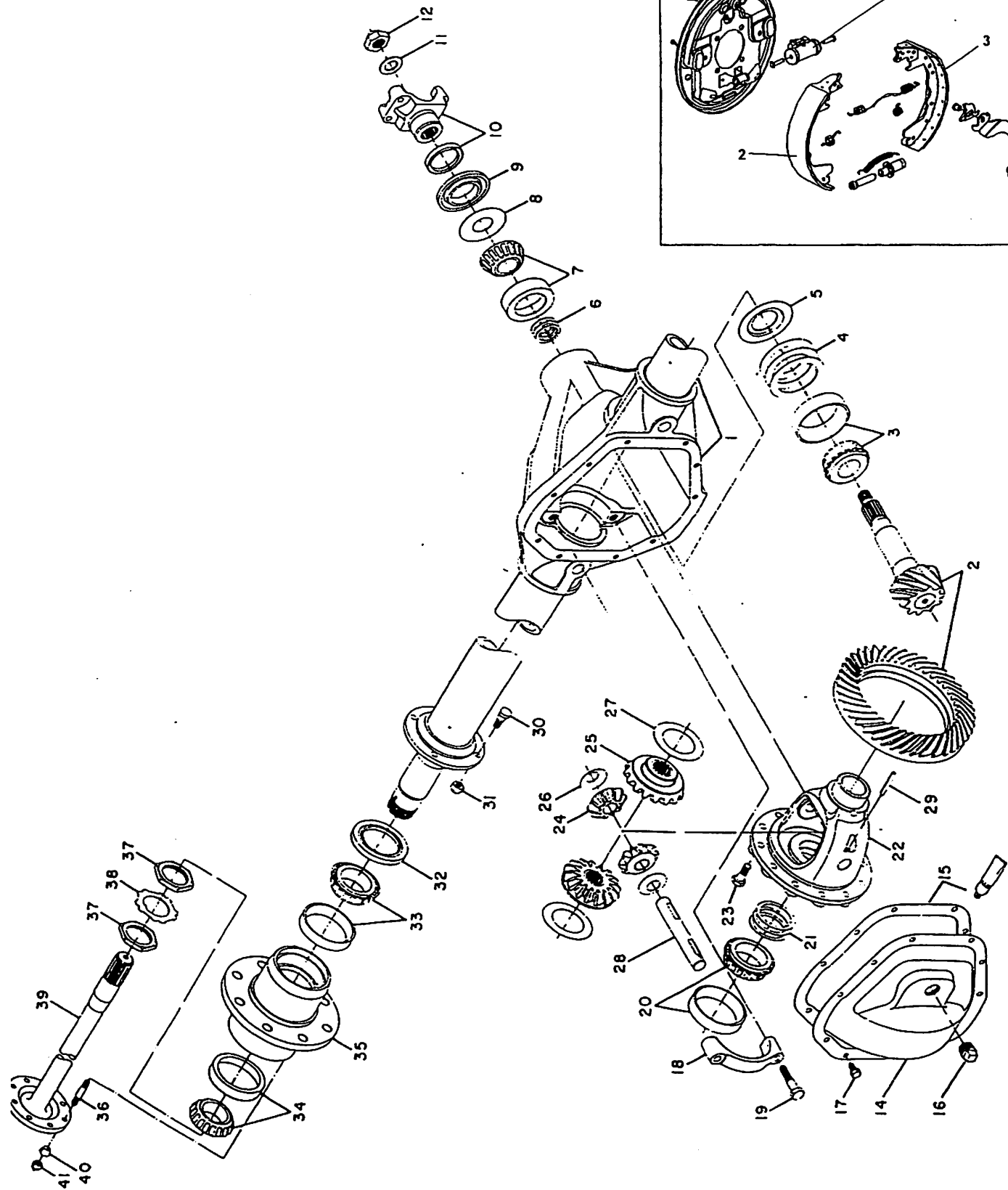
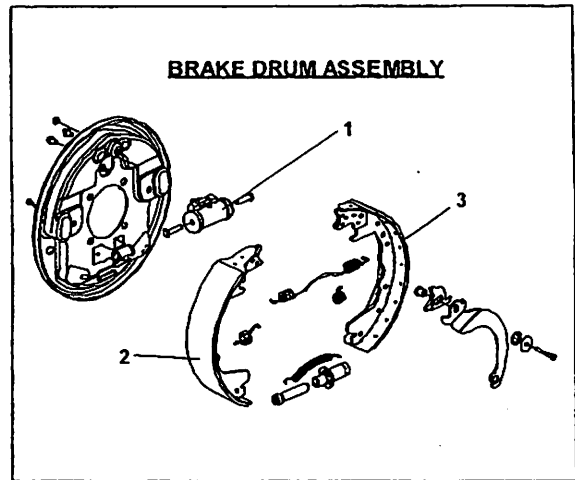
IND	PART NO	DESCRIPTION	QTY	SERIAL NO
		<u>60F FRONT AXLE</u>		
1	**	HOUSING	-	4945-
2	1F-07601	GEAR AND PINION ASSEMBLY	1	4945-
3	*	SLINGER, PINION BEARING, INNER	-	4945-
4	BH-6803V	KIT, INNER PINION BEARING	1	4945-
5	*	SHIM, PINION BEARING ADJUSTING	-	4945-
6	*	BAFFLE, PINION BEARING	-	4945-
7	*	SHIM, PINION BEARING ADJUSTING	-	4945-
8	BH-5885V	KIT, OUTER PINION BEARING	1	4945-
9	*	SLINGER, PINION BEARING, OUTER	-	4945-
10	*	SEAL, PINION	-	4945-
11	**	END YOKE ASSEMBLY	-	4945-
12	*	WASHER, PINION AND NUT	-	4945-
13	*	NUT, PINION	-	4945-
15	1F-07602	COVER, CARRIER	1	4945-
16	1F-07603	COVER GASKET & RTV SEALANT	1	4945-
17	**	PLUG, COVER	-	4945-
18	**	BOLT, CARRIER COVER	-	4945-
19	**	CAP, DIFFERENTIAL BEARING	-	4945-
20	**	BOLT, DIFFERENTIAL BEARING CAP	-	4945-
21	BO-3387V	KIT, DIFFERENTIAL BEARING	1	4945-
22	*	SHIM, DIFFERENTIAL BEARING	-	4945-
23	*	CASE, DIFFERENTIAL	-	4945-
24	*	BOLT, DRIVE GEAR	-	4945-
25	1F-07604	PINION, DIFFERENTIAL	1	4945-
26	1F-07605	GEAR, DIFFERENTIAL	1	4945-
27	*	THRUSTWASHER, DIFFERENTIAL PINION	-	4945-
28	*	THRUSTWASHER, DIFFERENTIAL GEAR	-	4945-
29	*	SHAFT, DIFFERENTIAL	-	4945-
30	*	LOCK, DIFFERENTIAL SHAFT	-	4945-
31	**	PLUG, VENT (NOT SHOWN)	-	4945-
32	**	SEAL & GUIDE, SHAFT	-	4945-
33	1F-0718A	SEAL, KING PIN	2	4945-
34	1F-0719A	RETAINER, GREASE	2	4945-
35	*	BEARING, KING PIN	-	4945-
36	1F-0702A	SEAL, OIL	2	4945-
37	**	TIE ROD ASSEMBLY	-	4945-
38	**	BOLT, STOP	-	4945-
39	**	NUT, JAM	-	4945-
40	1F-0715A	RETAINER, COMPRESSION SPRING	2	4945-
41	1F-0714A	SPRING, COMPRESSION	2	4945-

GROUP 55-0020B
AXLES, WHEELS, SUSPENSION GROUP (cont'd)

IND	PART NO	DESCRIPTION	QTY	SERIAL NO
42	1F-0710A	LOCKWASHER	16	4945-
43	1F-0711A	BOLT, KING PIN BEARING CAP	16	4945-
44	**	FITTING, LUBE	-	4945-
45	1F-0708A	CAP, KING PIN	2	4945-
46	1F-0713A	GASKET, KING PIN CAP	2	4945-
47	1F-0716A	BUSHING, KING PIN	2	4945-
48	1F-0717A	KING PIN	2	4945-
49	1F-07606	STEERING KNUCKLE ASSEMBLY, LH	1	4945-
	1F-07607	STEERING KNUCKLE ASSEMBLY, RH	1	4945-
50	1F-0712A	CAP, KING PIN BEARING	2	4945-
51	**	PIN, COTTER	-	4945-
52	**	NUT	-	4945-
53	1F-07608	SHAFT & JOINT ASSEMBLY, LH	1	4945-
	1F-07609	SHAFT & JOINT ASSEMBLY, RH	1	4945-
54	**	SLINGER, SPINDLE YOKE	-	4945-
55	**	SEAL, OIL	-	4945-
56	**	SPACER, WHEEL BEARING SPINDLE	-	4945-
57	**	SEAL, VEE BLOCK	-	4945-
58	**	BEARING ASSEMBLY, NEEDLE	-	4945-
59	1F-07610	SPINDLE ASSEMBLY, WHEEL BEARING	2	4945-
60	**	NUT, BRAKE MOUNTING	-	4945-
61	2F-09000	SEAL, OIL	2	4945-
62	BO-3387W	KIT, INNER WHEEL BEARING	2	4945-
63	1F-07615	HUB, WHEEL W/ROTOR	2	4945-
64	BL-6104W	KIT, OUTER WHEEL BEARING	2	4945-
65	1F-0733A	NUT, WHEEL BEARING RETAINER	4	4945-
66	00-09441	LOCKWASHER, WHEEL BEARING NUT	2	4945-
67	1F-0733A	NUT, WHEEL BEARING RETAINER	2	4945-
68	**	SPACER, DRIVE GEAR	-	4945-
69	1F-07620	GEAR, DRIVE	-	4945-
70	1F-07619	CAP, HUB	-	4945-
71	1F-0731A	RING, SNAP	2	4945-
N/S	1F-07611	DRIVE GEAR & PINION ASSEMBLY (CONSISTS OF ITEMS 2,3,4,5,6,7,8,9,10,12,13,16,22,24)	1	4945-
N/S	1F-07612	DIFFERENTIAL CASE ASSEMBLY (CONSISTS OF ITEMS 16,21,22,23,24,25,26,27,28,29,30)	1	4945-
N/S	1F-07613	DIFFERENTIAL ADJUSTING SHIM KIT (CONSISTS OF ITEMS 5,7,12,13,16,22)	1	4945-
N/S	1F-07614	SPINDLE SEAL AND BEARING KIT (CONSISTS OF ITEMS 55,56,57,58,60)	1	4945-

* = PART NOT SERVICED INDIVIDUALLY
** = CONSULT ZAMBONI FACTORY

GROUP 55-0020B
AXLES, WHEELS, SUSPENSION GROUP (cont'd)



GROUP 55-0020B
AXLES, WHEELS, SUSPENSION GROUP (cont'd)

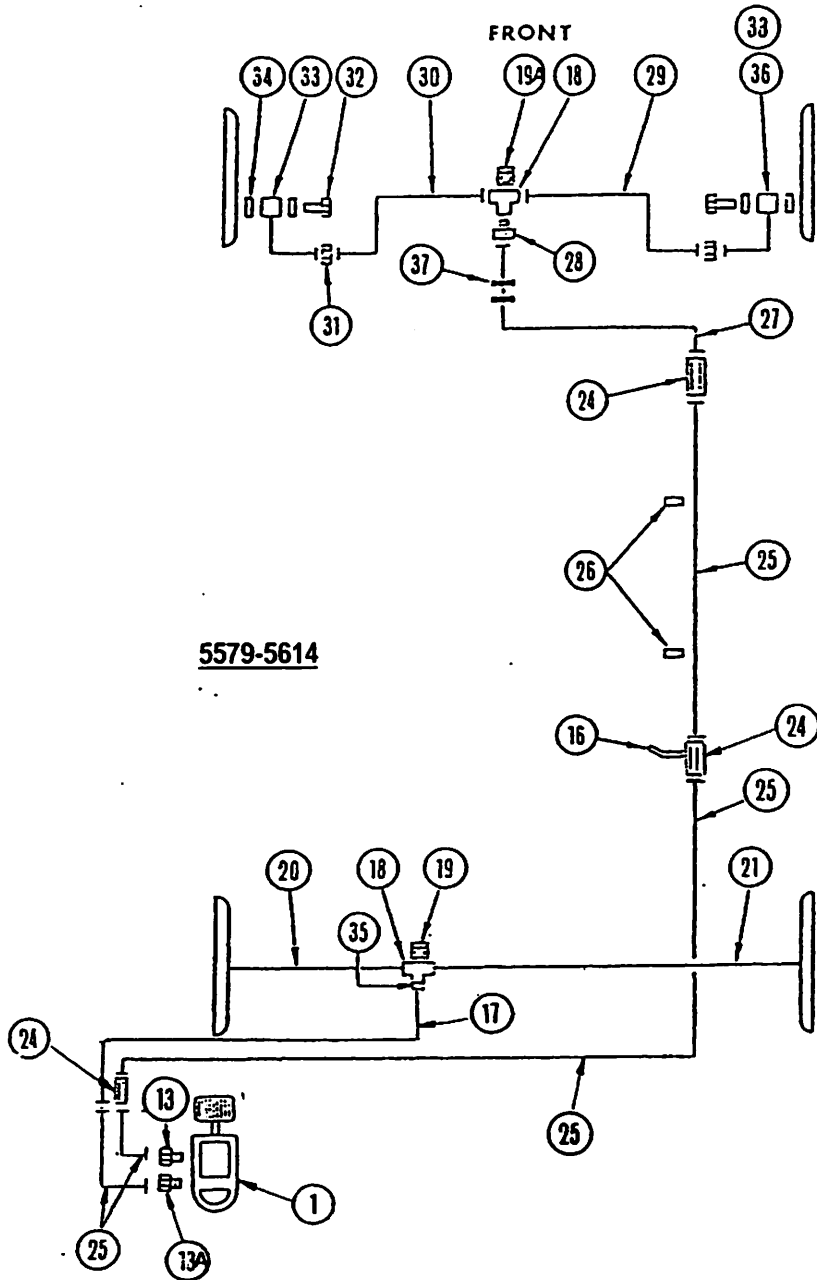
IND	PART NO	DESCRIPTION	QTY	SERIAL NO
		60 REAR AXLE		
1	00-7292R	AXLE ASSY W/HUB, DRUM & BRAKE	1	4493-
2	00-09493	RING & PINION	1	4493-
3	BH-6803V	INNER PINION BEARING SET	1	4493-
4	00-09480	SHIM SET	1	4493-
5	NPN	BAFFLE	1	4493-
6	NPN	SHIM SET	1	4493-
7	BH-5885V	OUTER PINION BEARING SET	1	4493-
8	NPN	SLINGER	1	4493-
9	2F-3051A	PINION SEAL	1	4493-
10	00-09552	END YOKE	1	4493-
11	NPN	WASHER	1	4493-
12	NPN	NUT	1	4493-
14	00-09548	CARRIER COVER	1	4493-
15	00-09477	GASKET, COVER	1	4493-
16	NPN	DRAIN PLUG	1	4493-
17	NPN	BOLT, CARRIER COVER	10	4493-
18-29	00-09492	CARRIER ASSEMBLY	1	4493-
13-29	00-09557	SPIDER GEARS	1	4493-
20	B0-3387V	BEARING SET, CASE	1	4493-
21	00-09479	CARRIER SHIM KIT	1	4493-
30	NPN	BOLT	4	4493-
31	NPN	NUT	4	4493-
32	2F-4258A	SEAL	1	4493-
33	B0-3370V	INNER WHEEL BEARING KIT	1	4493-
34	B0-3359V	OUTER WHEEL BEARING KIT	1	4493-
35	00-09498	HUB & DRUM ASSEMBLY	1	4493-
36	1F-6000B	STUD, WHEEL	16	4493-
37	00-09442	NUT	4	4493-
38	00-09445	LOCKWASHER	2	4493-
39	00-09342	AXLE SHAFT, LH & RH	2	4493-
40	00-09553	ADAPTOR	16	4493-
41	NPN	NUT	16	4493-
N/S	00-09512	FLANGE GASKET	2	4493-
	1J-0552A	BRAKE DRUM ASSEMBLY, LH (MANUAL ADJUST)	1	4493-
	1J-0552B	BRAKE DRUM ASSEMBLY, RH (MANUAL ADJUST)	1	4493-
1	1J-7292L	WHEEL CYLINDER, LEFT WHEEL	1	4493-
	1J-7292R	WHEEL CYLINDER, RIGHT WHEEL	1	4493-
	KZ-0410A	REPAIR KIT, WHEEL CYLINDER	1	4493-
2&3	1J-7392B	BRAKE SHOES SET	1	4493-

NPN = NO PART NUMBER N/S = NOT SHOWN

GROUP 55-0021A
BRAKE SYSTEM GROUP

IND	PART NO	DESCRIPTION	QTY	SERIAL NO
	KZ-04552	KIT, MASTER CYLINDER (INCLUDES ALL ▲ ITEMS)	1	4493-5412
1	4M-31560	MASTER CYLINDER ONLY ▲	1	4493-5412
	4M-31571	MASTER CYLINDER ONLY	1	5579-5614
	4M-31576	MASTER CYLINDER ONLY	1	5651-
N/S	4M-3157C	RUBBER BOOT	1	5651-
N/S	27-2028A	CLAMP, RUBBER BOOT	1	5651-
	KZ-31560	REBUILD KIT, MASTER CYLINDER		
	HA-10014	SCREW, HEX HD, 3/8-16 X 1-1/2 ▲	2	4493-
	HA-10860	WASHER, FLAT, 3/8 ▲	2	4493-
	HA-10862	LOCKWASHER, 3/8 ▲	2	4493-
	HA-10980	NUT, HEX, 3/8-16 ▲	2	4493-
2	HA-11980	NUT, HEX, 3/8-24 ▲	1	4493-
	KZ-04553	KIT, CLEVIS YOKE PIN (INCLUDES ALL ◆ ITEMS)	1	4493-
3	36-01570	CLEVIS YOKE, 3/8-24 ◆	1	4493-5614
	36-01560	CLEVIS YOKE, 3/8-24	1	5651-
4	HA-63312	CLEVIS PIN, 3/8 X 31/32 ◆	1	4493-
5	HA-51711	COTTER PIN, 3/32 X 1 ◆	1	4493-5412
6	4F-34220	BRAKE PEDAL ARM	1	4493-5412
	4F-34230	BRAKE PEDAL ARM	1	5579-5614
	4F-34225	BRAKE PEDAL ARM	1	5651-
7	HA-30861	WASHER, FLAT, 1	2	4493-
8	HA-7064A	E-RING, EXTERNAL, 1	1	4493-
9	1L-0520A	BRAKE RETURN SPRING	1	4493-
10	HA-18980	NUT, HEX, 5/8-11	1	4493-
11	4M-40480	PEDAL, BRAKE	1	4493-4855
	4M-4048A	PEDAL, BRAKE	1	4916-
12	4M-40490	BRAKE PEDAL COVER	1	4493-4855
	4M-4049A	BRAKE PEDAL COVER	1	4916-
13	4M-40402	BRAKE LINE ADAPTER	2	4493-5412
	4M-40403	BRAKE LINE ADAPTER	1	5579-5614
	4M-40406	BRAKE LINE ADAPTER	1	5651-
13A	4M-40404	BRAKE LINE ADAPTER	1	5579-
14	4P-21300	BRAKE LINE TUBE ASSY (USE 4P-33000) (NOT USED FOR SERIAL #'S 5579-5614)	1	4493-
15	4P-21301	BRAKE LINE TUBE ASSY (USE 4P-33000) (NOT USED FOR SERIAL #'S 5579-5614)	1	4493-
17	4M-17580	BRAKE HOSE ASSY	3	4493-
18	4M-40400	TEE, BRAKE LINE, 3/16	2	4493-
	HA-06011	SCREW, HEX HD, 1/4-20 X 1	2	4493-
19	5T-73680	BRACKET	2,1	4493-

GROUP 55-0021A
BRAKE SYSTEM GROUP (cont'd)



GROUP 55-0021A
BRAKE SYSTEM GROUP (cont'd)

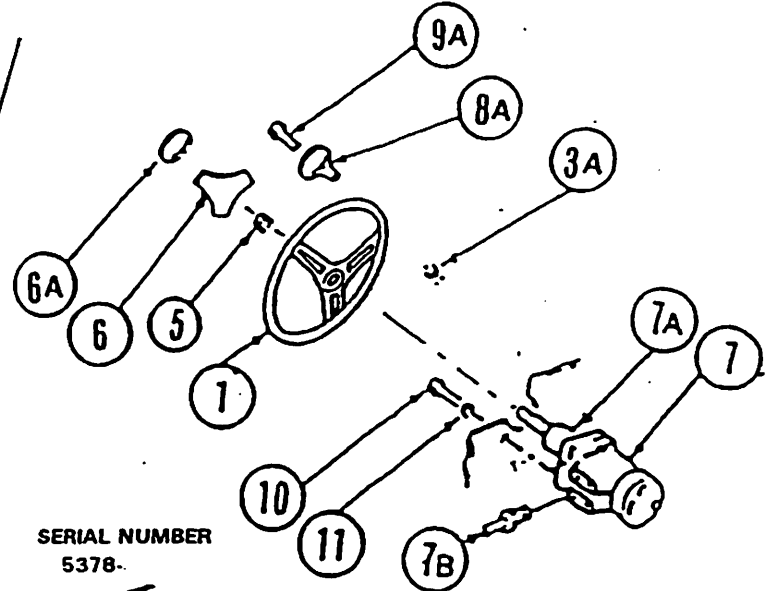
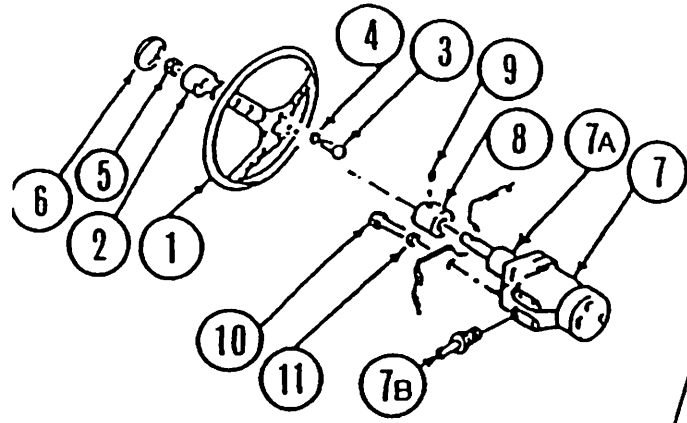
IND	PART NO	DESCRIPTION	QTY	SERIAL NO
19A	5T-73685	BRACKET	1	4945-
22	5T-73690	BRACKET	1	4493-
20	4P-32000	TUBE ASSY	1	4493-
21	4P-33000	BRAKE LINE ASSY	1	4493-
23	3C-05254	GROMMET	1	4493-
24	4M-40405	BRAKE COUPLING	3,2	4493-
25	4P-35108	BRAKE LINE ASSY (USE 4P-35100)	4,1	4493-
26	27-3000A	CLAMP	2	4493-
27	4P-34000	BRAKE LINE ASSY	1	4493-
28	4M-40401	BRAKE LINE ADAPTER	1	4493-
29	4P-32000	BRAKE LINE TUBE ASSY	1	4493-
30	4P-32000	BRAKE LINE TUBE ASSY	1	4493-
31	HA-19982	HEX NUT, 5/8-18	2	4493-
32	4M-17591	BANJO BOLT, DISC-BRAKE	2	4493-
33	4M-17590	BRAKE HOSE ASSY	2	4493-4930
	4M-17593	BRAKE HOSE ASSY	2	4931-
34	4M-17592	WASHER, BANJO BOLT	4	4493-
35	2D-40360	COPPER GASKET	1	4493-
36	4M-17585	BRAKE HOSE ASSY	1	4493-4930
37	4X-41180	GROMMET	2	4493-
N/S	4M-0700A	LEVER ASSY, HAND BRAKE	1	4493-
N/S	4M-0710A	SWITCH PIN, PARKING BRAKE	1	4493-
N/S	4M-0800A	PARKING BRAKE BRACKET	1	4493-5008
N/S	4M-0800E	PARKING BRAKE BRACKET	1	5199-
N/S	33-0400B	PARKING BRAKE CABLE	2	4493-
N/S	1J-05521	HUB & ROTOR ASSY, DISC-BRAKE	2	4493-4944,5000
N/S	1J-05522	DISC-BRAKE PAD	4	4493-4944,5000
N/S	1J-05523	BRAKE BLEEDER VALVE	2	4493-

N/S = NOT SHOWN

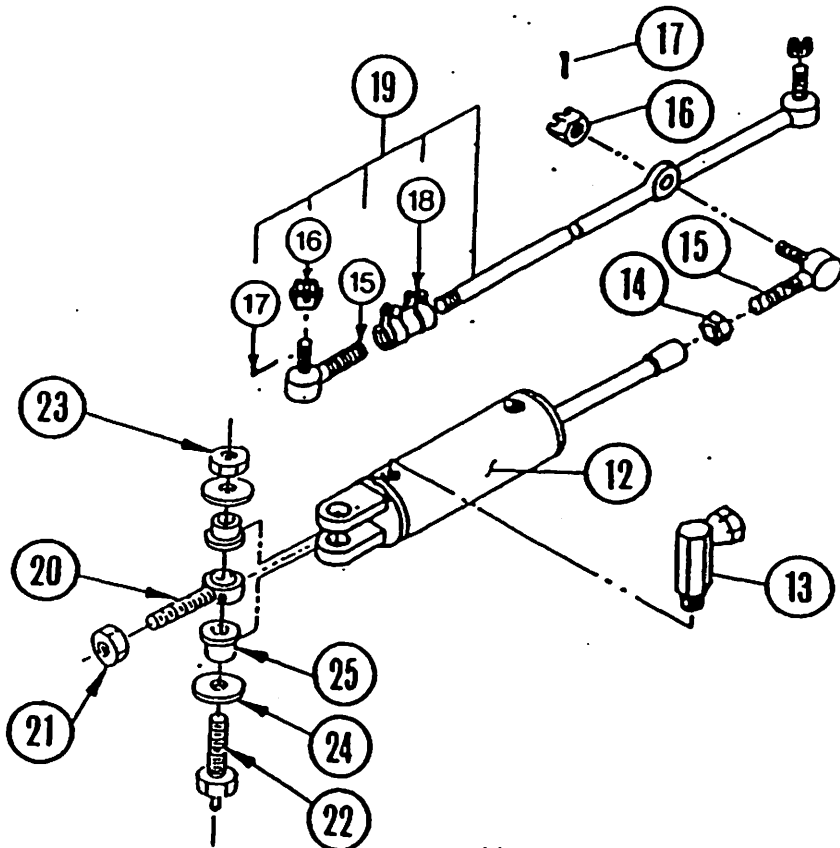
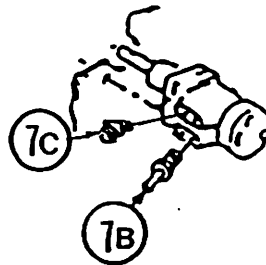
GROUP 55-0025A
STEERING SYSTEM GROUP

SERIAL NUMBER
4493-4797

SERIAL NUMBER
4841 & UP



SERIAL NUMBER
5378-

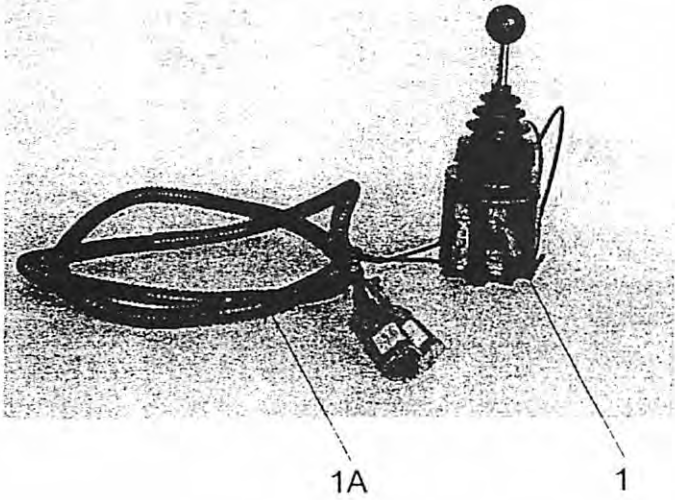


GROUP 55-0025A
STEERING SYSTEM GROUP

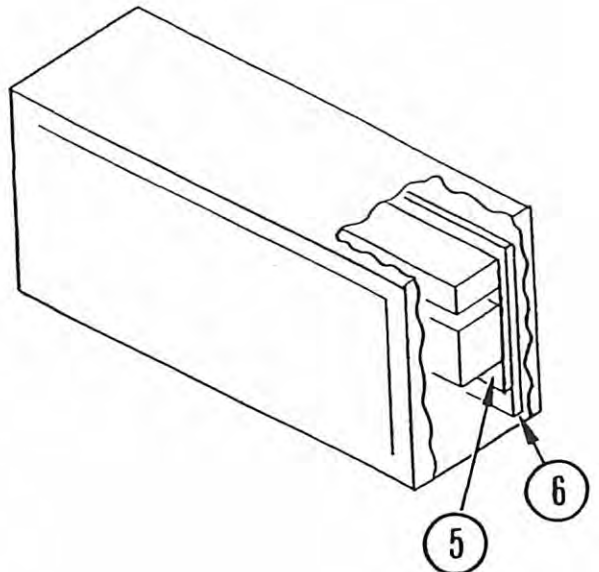
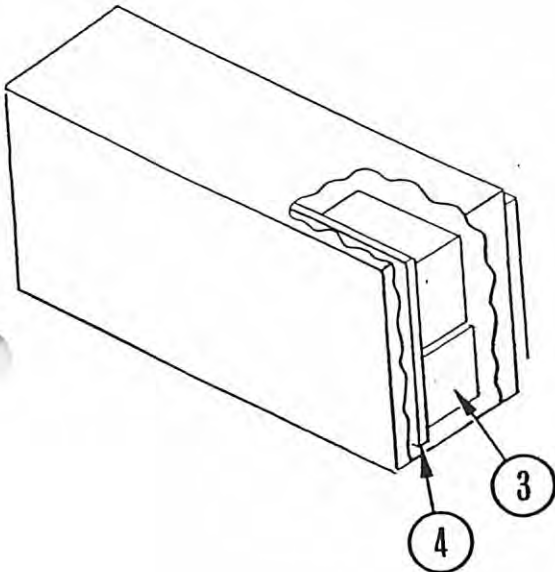
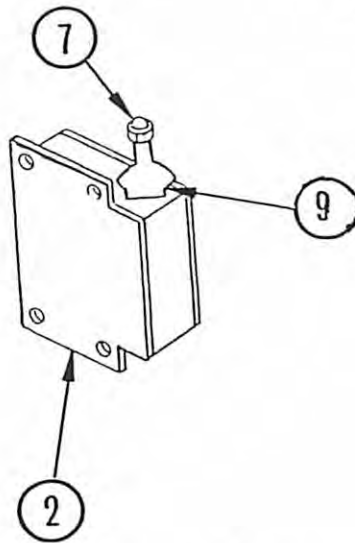
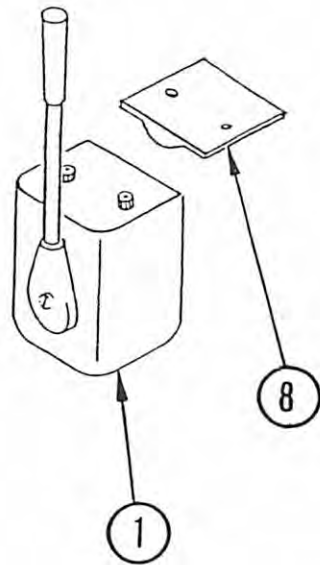
IND	PART NO	DESCRIPTION	QTY	SERIAL NO
	KZ-77430	KIT, STEERING WHEEL REPLACEMENT	1	4493-4796
1	4C-05205	STEERING WHEEL	1	4841-
2	4C-77460	HUB	1	4493-4796
3	HA-06006	SCREW, HEX HD, 1/4-20 X 1/2	3	4493-4796
3A	HA-08981	LOCKNUT, 5/16-18	1	4841-
4	HA-06863	LOCKWASHER, 1/4	3	4493-4976
	HA-10009	SCREW, HEX HD, 3/8-16 X 3/4	2	4493-
5	HA-23988	LOCKNUT, THIN HEX, 3/4-16	1	4493-4796
	HA-24982	NUT, STEERING WHEEL	1	4841-
6	7D-77440	CAP, STEERING WHEEL	1	4493-4796
	4C-05201	CAP, STEERING WHEEL	1	4841-
6A	81-79700	DECAL, SNOW FLAKE	1	4841-
7	4C-0500A	STEERING CONTROL, LESS COLUMN	1	4493-5228
	4C-05100	STEERING CONTROL, LESS COLUMN	1	5378-
7A	4C-79970	STEERING COLUMN	1	4493-4796
	4C-79980	STEERING COLUMN	1	4841-
7B	F1-64300	ADAPTER	2	4493-5228
	F1-64330	ADAPTER	2	5378-7089
7C	F1-75040	ELBOW	4,2	5378-
8	4C-77450	SLEEVE, STEERING CONTROL HUB	1	4493-4796
8A	4C-05202	KNOB, STEERING WHEEL	1	4841-
9	HD-0840F	SET-SCREW, SKT, 5/16-18 X 3/8	1	4493-4796
9A	HA-08017	BOLT, 5/16-19 X 2-1/4	1	4841-
10	HA-10013	SCREW, HEX HD, 3/8-16 X 1-1/4	2	4493-
11	HA-10862	LOCKWASHER, 3/8	4	4493-
12	2X-2008A	STEERING CYLINDER	1	4493-4513
	2X-2008B	STEERING CYLINDER	1	4624-
13	F2-69050	FITTING	2	4493-
14	HD-56981	NUT, HEX, 7/8-18	1	4493-
15	4J-01000	BALL JOINT, 7/8-18	1	4493-
16	HA-17985	HEX NUT, SLOTTED, 9/16-18	3	4493-
17	HA-52712	COTTER PIN, 1/8 X 1-1/4	3	4493-
18	4D-01000	SLEEVE & CLAMP ASSY, TIE ROD	1	4493-
19	4D-18971	TIE ROD ASSY (INCLUDES 15, 16, 17, 18)	1	4493-
20	4J-04040	ROD END	1	4493-
21	HA-19982	HEX NUT, THIN, 5/8-18	1	4493-
22	HA-18021	SCREW, HEX HD, 5/8-11 X 3	1	4493-
23	HA-18987	HEX NUT, THIN, 5/8-11	1	4493-
24	HA-18860	WASHER, FLAT, 5/8	2	4493-
25	10-5520A	STEERING REDUCER BUSHING	2	4493-4513

GROUP 55-0030A
SCR CONTROLS GROUP

6865-



4493-6642

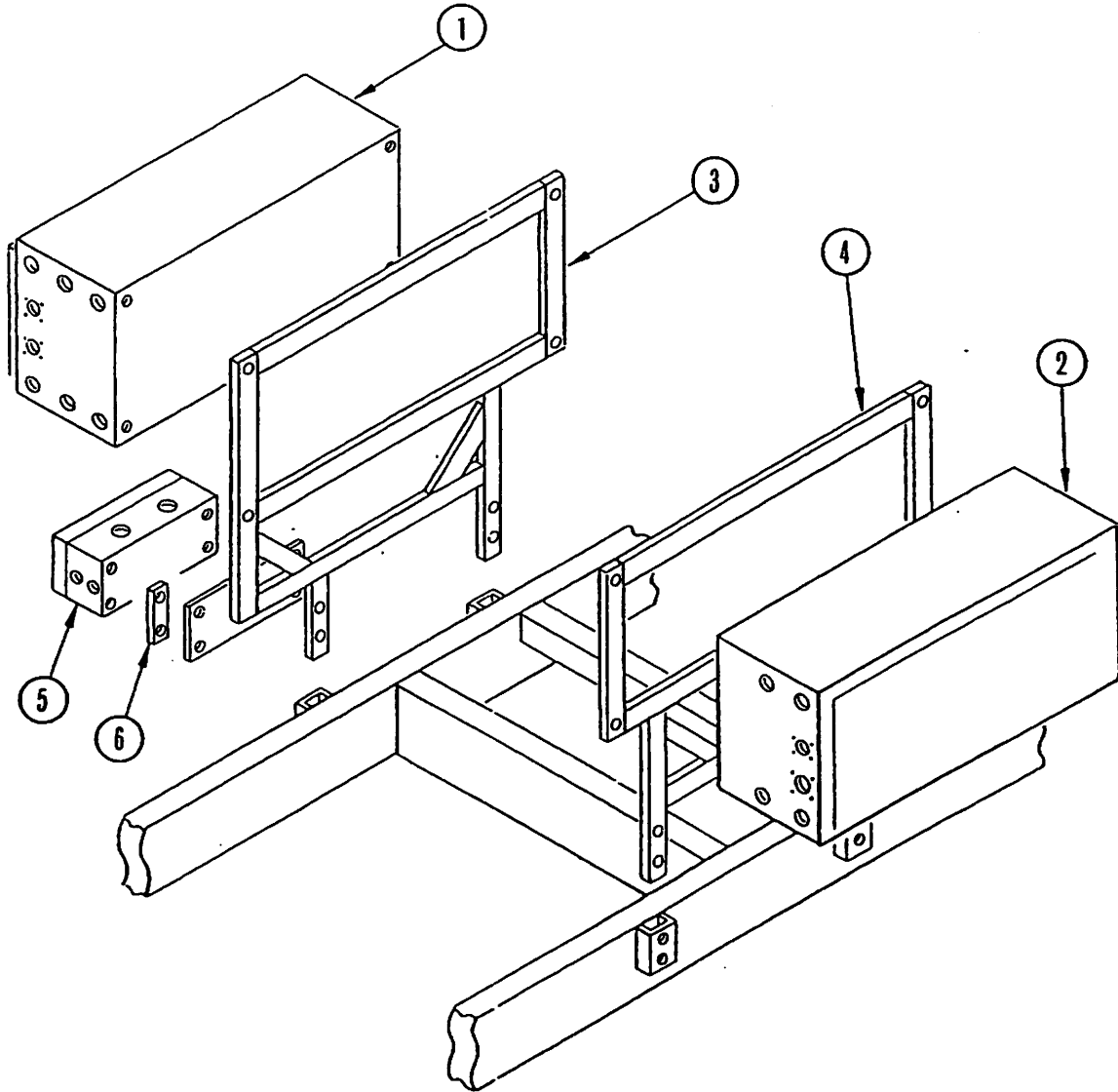


GROUP 55-0030A
SCR CONTROLS GROUP

IND	PART NO	DESCRIPTION	QTY	SERIAL NO
1	7P-5520B	SCR DIRECTIONAL SWITCH, W/LOOM	1	4493-4638
	7P-5520C	SCR DIRECTIONAL SWITCH, W/LOOM	1	4782-5870
	7P-5520E	SCR DIRECTIONAL SWITCH, W/LOOM	1	6152-6642
	7P-5520G	DIRECTIONAL SWITCH	1	6865-
1A	7T-5527N	LOOM, DIRECTIONAL SWITCH	1	6865-
2	7P-5521B	SCR ACCELERATOR SWITCH, W/LOOM	1	4493-4638
	7P-5521C	SCR ACCELERATOR SWITCH, W/LOOM	1	4782-5870
	7P-5521D	SCR ACCELERATOR SWITCH, W/LOOM	1	6152-6318
	7P-5521F	SCR ACCELERATOR SWITCH, W/LOOM	1	6538-
3	7T-5521A	PUMP MOTOR SCR PANEL, EV-100	1	4493-5878
	7T-5521D	PUMP MOTOR SCR PANEL, EV-100	1	6152-6315
	7T-5521F	PUMP MOTOR SCR PANEL, EV-100	1	6316-
	79-8012A	DC/DC CONVERTER	1	4493-6315
	79-8012B	DC/DC CONVERTER	1	6316-
4	7T-55211	PANEL HEATSINK, EV-100	1	4493-6315
	7T-55219	PANEL HEATSINK, EV-100	1	6316-
5	7T-5521B	TRACTION DRIVE SCR PANEL, EV-200	1	4493-5878
	7T-5521E	TRACTION DRIVE SCR PANEL, EV-200	1	6152-
6	7T-55212	PANEL HEATSINK, EV-200	1	4493-
7	HA-10983	ACORN NUT S/S	1	4493-
8	2D-74137	GASKET	1	4493-
9	2F-19750	SHAFT SEAL	2	4493-
N/S	5T-06011	FOOT MOUNTING BRACKET	1	4493-4783
N/S	5T-0605A	FOOT MOUNTING BRACKET	1	4784-
N/S	5T-06009	FOOT CONTROL ARM	1	4493-4783
N/S	5T-06060	FOOT CONTROL ARM	1	4784-
N/S	4M-05001	FOOT PEDAL	1	4493-
N/S	15-01100	KEY	1	4493-
N/S	HD-0840F	SET-SCREW, SKT, 5/16-18 X 3/8	1	4493-
N/S	11-2424C	COLLAR, 3/4 X 1-1/4	1	4493-
N/S	HA-01006	SCREW, HEX HD, 6-32 X 1-1/2	16	4493-
N/S	7T-5526R	INDUCTOR	1	4637-
N/S	75-0552N	CABLE	1	4637-
N/S	HA-06862	LOCKWASHER, 1/4	2	4493-

N/S = NOT SHOWN

GROUP 55-0030B
ENCLOSURES GROUP



GROUP 55-0030B
ENCLOSURES GROUP

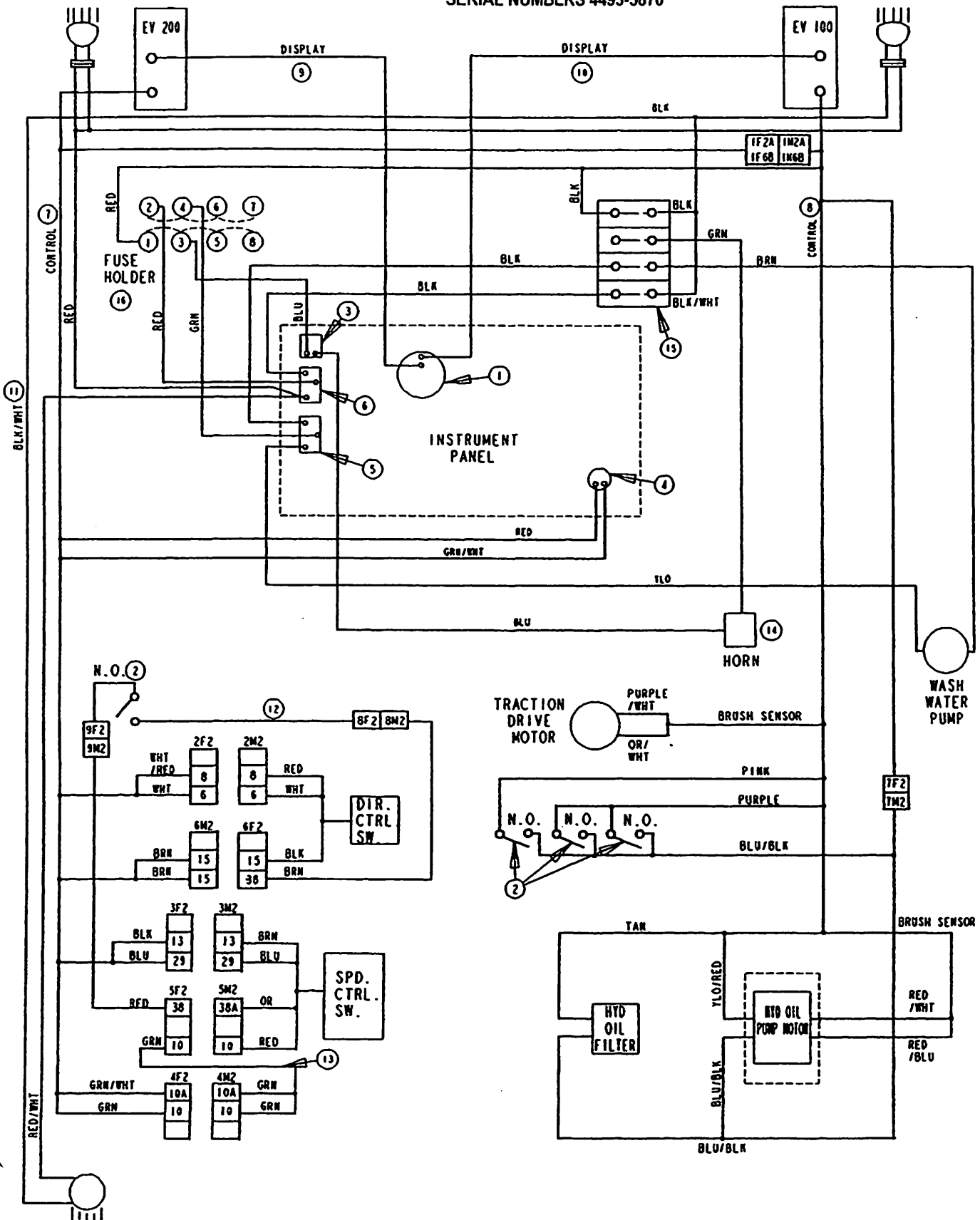
IND	PART NO	DESCRIPTION	QTY	SERIAL NO
1	7T-55200	LEFT SIDE ENCLOSURE, EV-200	1	4493-5870
	7T-55205	LEFT SIDE ENCLOSURE, EV-200	1	6152-
2	7T-55210	RIGHT SIDE ENCLOSURE , EV-100	1	4493-5870
	7T-55216	RIGHT SIDE ENCLOSURE, EV-100	1	6152-
	7T-5522C	CABLE SEAL WITH DOME NUT	16	4493-
	7T-5522D	LOCKNUT FOR SEAL FITTING	16	4493-
	HA-10014	SCR, HEX HD, 3/8-16 X 1-1/2	16	4493-
3	7T-5522E	MOUNTING FRAME LH ASSY	1	4493-
4	7T-5522R	MOUNTING FRAME RH ASSY	1	4493-
5	7T-55240	POWER DISTRIBUTION BOX ASSY	1	4493-
	HA-11009	SCREW, HEX HD, 3/8-16 X 3/4	2	4493-
	7T-5524C	WASHER, NYLON, 3/8	2	4493-
	7T-5524D	WASHER, COPPER, 3/8	4	4493-
	HA-10861	WASHER, FLAT, 3/8	12	4493-
	HA-10862	LOCKWASHER, 3/8	16	4493-
	HA-10980	NUT, 3/8-16	16	4493-
6	77-55221	INSULATION STRIP	2	4493-
	HA-04611	SCREW, FLAT HEAD, 10-32 X 1	4	4493-
	7T-5522C	CABLE SEAL WITH DOME NUT	6	4493-
	7T-5522D	LOCKNUT FOR SEAL FITTING	6	4493-
	7T-5524B	INSULATOR	2	4493-
N/S	3F-91000	POWER CONNECTOR BRACKET (SB-350)	1	4493-
N/S	KZ-55214	KIT, ENCLOSURE BOX (INCLUDES ALL ♦ ITEMS)	1	4782-5870
N/S	7T-55214	♦ PLUG ENCLOSURE BOX	1	4782-5870
N/S	7T-55221	♦ BUSHING	2	4782-5870
N/S	HA-04709	♦ SCREW, FILLISTER HD, 10-32 X 3/4	2	4782-5870
N/S	HA-04980	♦ NUT, HEX HD, 10-32	2	4782-5870
N/S	HA-03862	♦ LOCKWASHER, #10	2	4782-5870

N/S = NOT SHOWN

GROUP 55-0031A

ELECTRIC CONTROLS

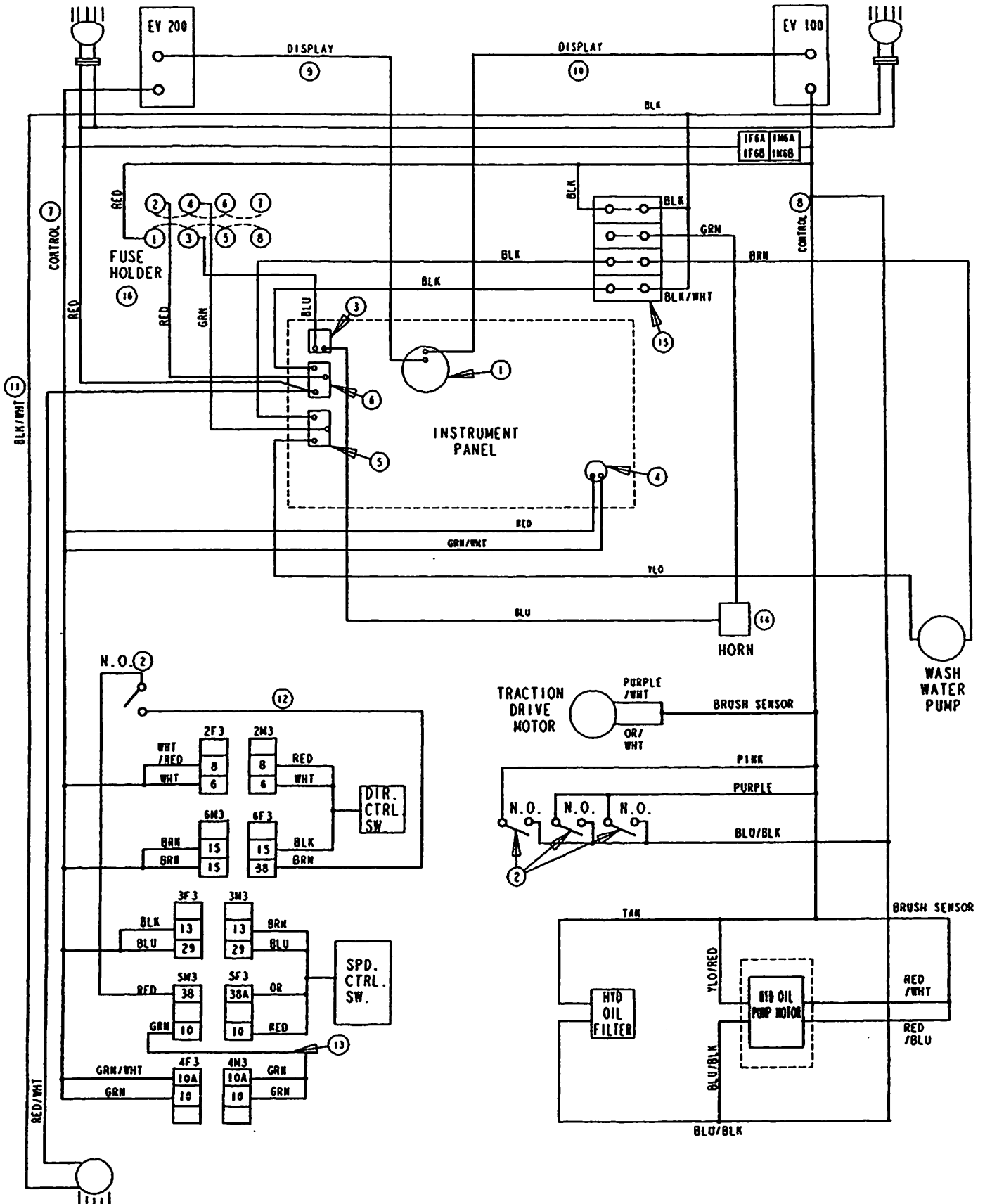
SERIAL NUMBERS 4493-5870



GROUP 55-0031A
ELECTRIC CONTROLS GROUP

IND	PART NO	DESCRIPTION	QTY	SERIAL NO
1	7K-5520A	POWER CONDITION DISPLAY	1	4493-
2	7P-0502A	LIMIT SWITCH	3,4	4493-
3	7P-76369	HORN SWITCH	1	4493-
4	7P-77260	IGNITION SWITCH	1	4493-4945
	7P-04400	IGNITION SWITCH	1	4981-
	7P-04401	IGNITION KEY	1	4981-
5	7P-77261	WATER PUMP SWITCH	1	4493-
6	7P-77262	HEADLIGHT SWITCH	1	4493-
7	7T-5520A	EV-200 CONTROL LOOM	1	4493-4638
	7T-5527A	EV-200 CONTROL LOOM	1	4782-5870
	7T-5527C	EV-200 CONTROL LOOM	1	6152-
8	7T-5520B	EV-100 CONTROL LOOM	1	4493-4638
	7T-5527B	EV-100 CONTROL LOOM	1	4782-5870
	7T-5527D	EV-100 CONTROL LOOM	1	6152-6315
	7T-5527M	EV-100 CONTROL LOOM	1	6316-
9	7T-5520C	EV-200 DISPLAY LOOM	1	4493-5870
	7T-5520R	EV-200 DISPLAY LOOM	1	6152-
10	7T-5520D	EV-100 DISPLAY LOOM	1	4493-5870
	7T-5520S	EV-100 DISPLAY LOOM	1	6152-
11	7T-5520E	12 VOLT MACHINE LOOM	1	4493-
12	7T-5520G	PARKING BRAKE LOOM	1	4493-5870
	7T-5520P	PARKING BRAKE LOOM	1	6152-
13	7T-5520H	EV-200 JUMPER	1	4493-4638
	7T-5527H	EV-200 JUMPER	1	4782-5870
	7T-5527L	EV-200 JUMPER	1	6152-
N/S	7T-5520J	PLUG #1, CONTROL	7	4493-4638
N/S	7T-5520K	CTRL PLUG #2, CONTROL	7	4493-4638
N/S	7T-5527J	CTRL PLUG #1,2, CONTROL	7	4782-
N/S	7T-5520L	IN-DASH WIRING LOOM	1	4493-5228
	7T-5528A	IN-DASH WIRING LOOM	1	5378-
N/S	7T-5520M	HEADLIGHT PLUG LOOM	2	4493-
14	7X-10421	HORN	1	4493-
15	71-05010	TERMINAL BLOCK ASSEMBLY	1	4493-
	75-0994C	TERMINAL	10	4493-
	75-0999F	TERMINAL	2	4493-

GROUP 55-0031A
ELECTRIC CONTROLS GROUP (cont'd)
 SERIAL NUMBERS 6152-

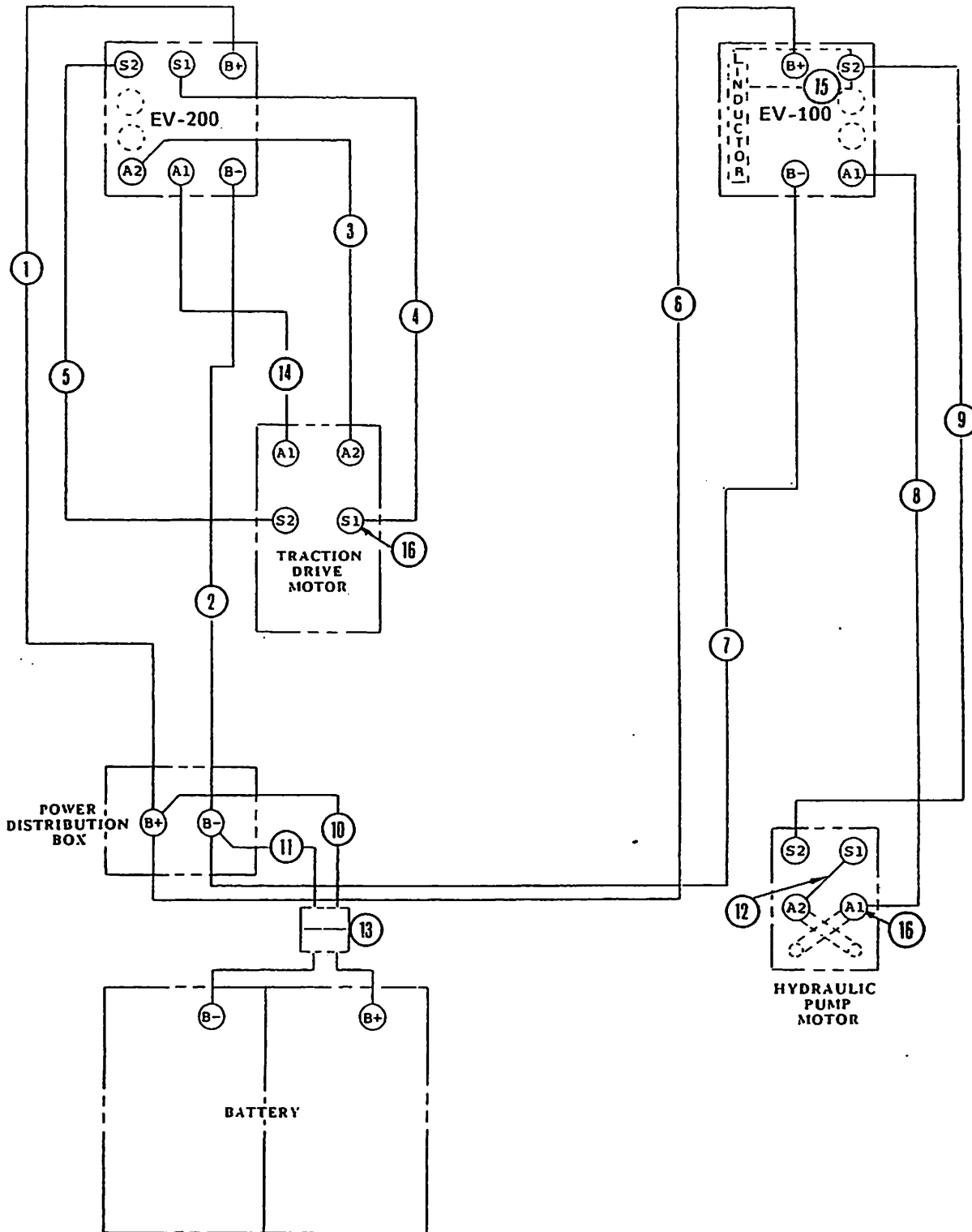


GROUP 55-0031A
ELECTRIC CONTROLS GROUP (cont'd)

IND	PART NO	DESCRIPTION	QTY	SERIAL NO
16	78-77420	FUSE HOLDER	8,6	4493-
	78-77520	FUSE, 20 AMP FUSE #1	1	4493-
	78-77530	FUSE, 10 AMP FUSES #2 THRU #6	7,5	4493-
	75-1826B	FUSE JUMPER LOOM, DASH	1	4493-
17	7L-17969	HEADLIGHT W/BRACKET	2	4732-
	7L-17970	HEADLAMP	2	4493-
N/S	27-30080	CLIP, WIRE HARNESS, SNAP-ON	12	4493-
N/S	27-40200	CABLE TIE, 7.5 X .190, WHITE	10	4493-
N/S	27-40400	CABLE TIE, 5 X .115, WHITE	20	4493-
N/S	27-40600	CABLE TIE, 14-5/8 X 5/16	10	4493-
N/S	27-07050	CLAMP	2	4493-
N/S	7T-55234	STRAIN RELIEF PLATE	1	4493-4916
N/S	7T-55226	MANUAL RELEASE, LOCKING HALF	1	4493-
N/S	7T-55227	MOUNTING HALF PLATE	1	4493-

N/S = NOT SHOWN

GROUP 55-0032A POWER CABLES GROUP

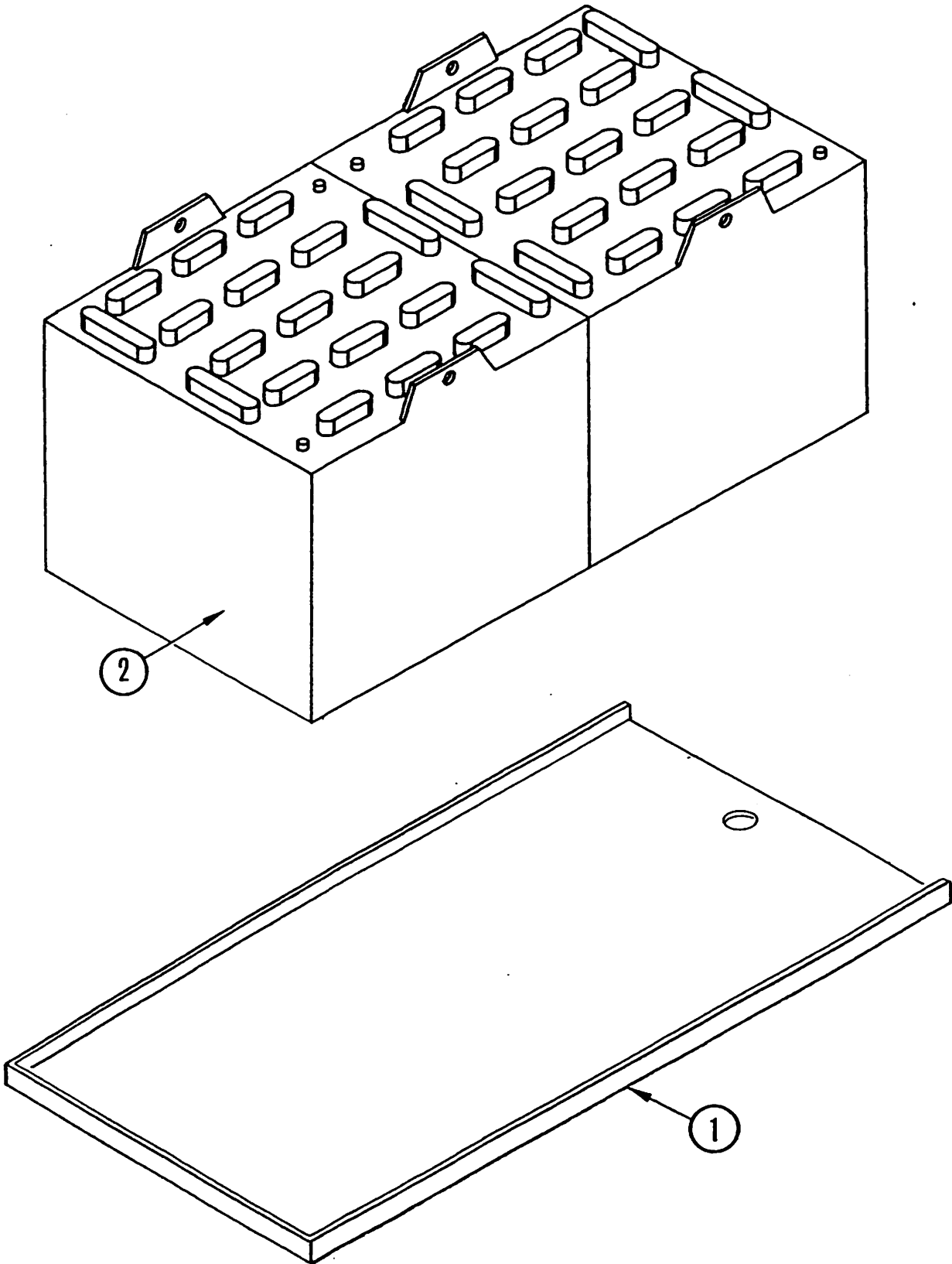


GROUP 55-0032A
POWER CABLES GROUP

IND	PART NO	DESCRIPTION	QTY	SERIAL NO
1	75-0552A	POWER CABLE	1	4493-
2	75-0552B	POWER CABLE	1	4493-
3	75-0552C	POWER CABLE	1	4493-
4	75-0552D	POWER CABLE	1	4493-
5	75-0552E	POWER CABLE	1	4493-
6	75-0552F	POWER CABLE	1	4493-
7	75-0552G	POWER CABLE	1	4493-
8	75-0552H	POWER CABLE	1	4493-
9	75-0552J	POWER CABLE	1	4493-
10	75-0552K	POWER CABLE	1	4493-
11	75-0552L	POWER CABLE	1	4493-
12	75-0552R	POWER CABLE JUMPER	1	4493-
13	7T-55230	POWER CABLE CONNECTOR	1	4493-
14	75-0552V	POWER CABLE	1	4782-
15	75-0552N	POWER CABLE	1	4637-
16	75-55305	CABLE BOOT	8	4797-

N/S = NOT SHOWN

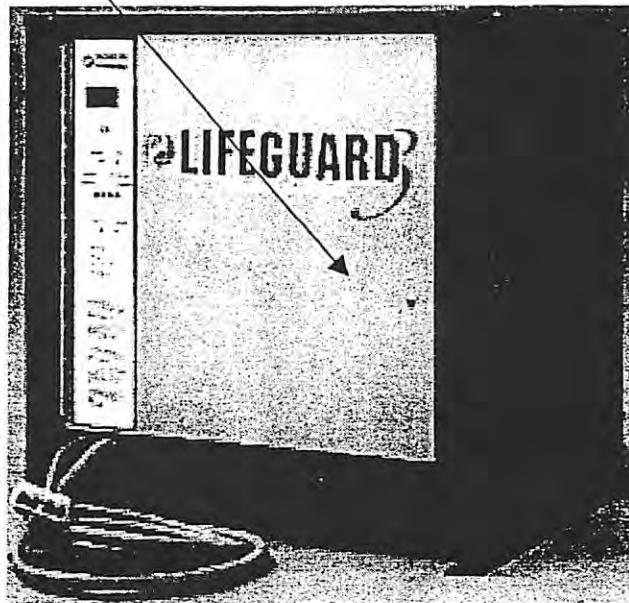
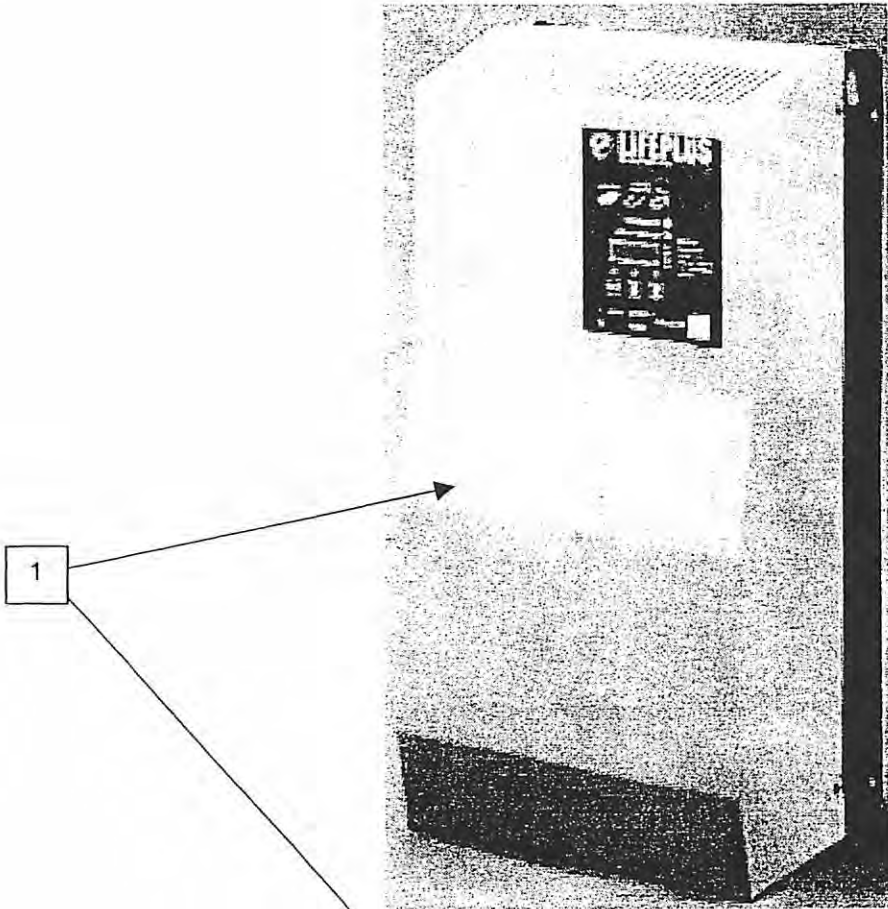
GROUP 55-0035A
BATTERY GROUP



GROUP 55-0035A
BATTERY GROUP

IND	PART NO	DESCRIPTION	QTY	SERIAL NO
1	5T-09000	BATTERY TRAY	1	4493-
2	77-55200	BATTERY SYSTEM, HAWKER, 600AH	1	4493-
	77-55300	BATTERY SYSTEM, HAWKER, 510AH	1	4916-
N/S	77-55225	FLIP-TOP CAP	40	4493-
N/S	77-55226	BATTERY WATERING GUN	1	4493-
N/S	5T-55210	FRONT BATTERY BRACE	1	4493-

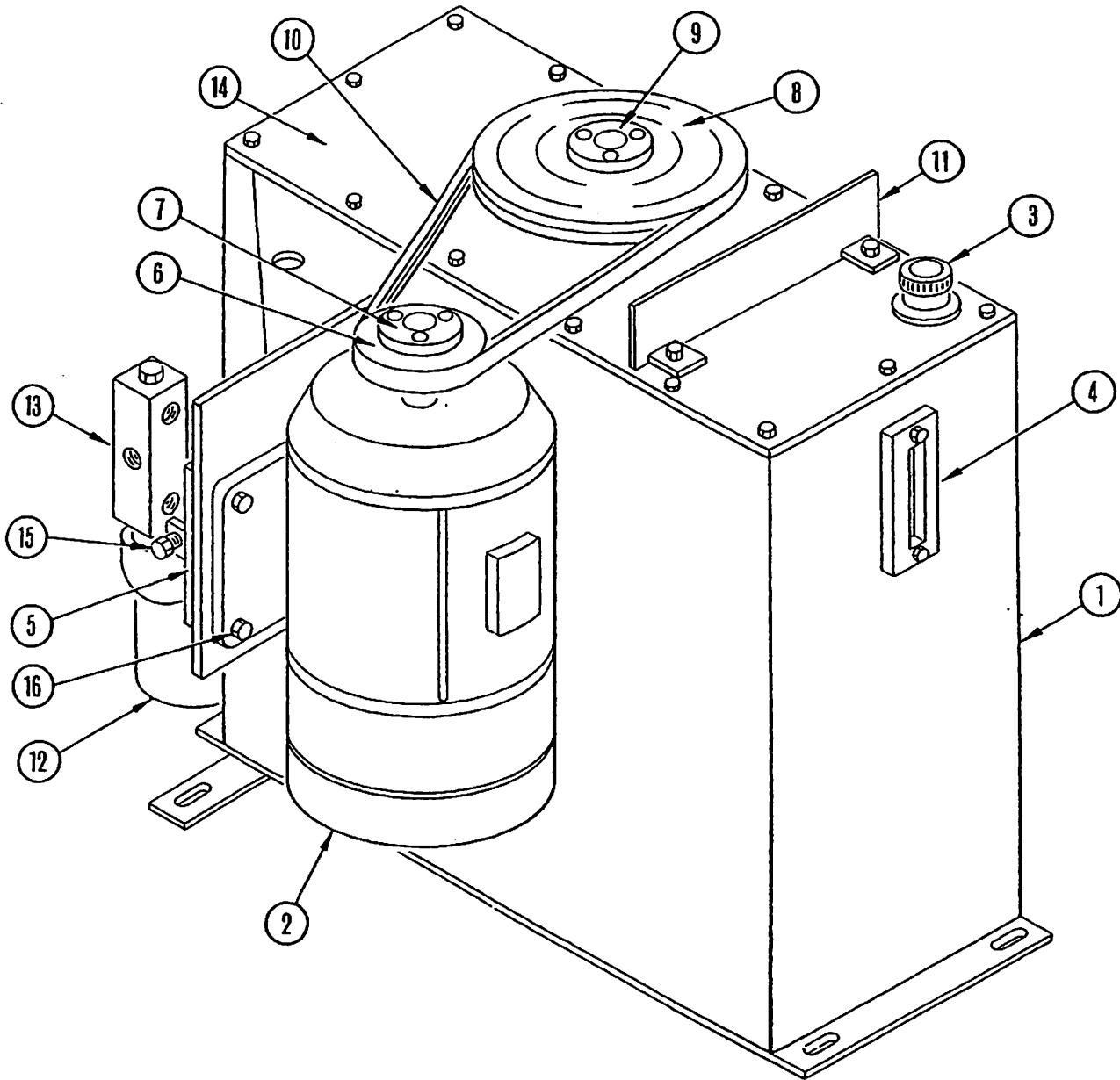
GROUP 55-0036A
BATTERY CHARGER GROUP



GROUP 55-0036A
BATTERY CHARGER GROUP

IND	PART NO	DESCRIPTION	QTY	SERIAL NO
1	79-55200	BATTERY CHARGER, LIFEPLUS 2000	1	4493-
	79-55250	BATTERY CHARGER,LIFEGUARD 3	1	4916-

GROUP 55-0040A
HYDRAULIC OIL TANK GROUP



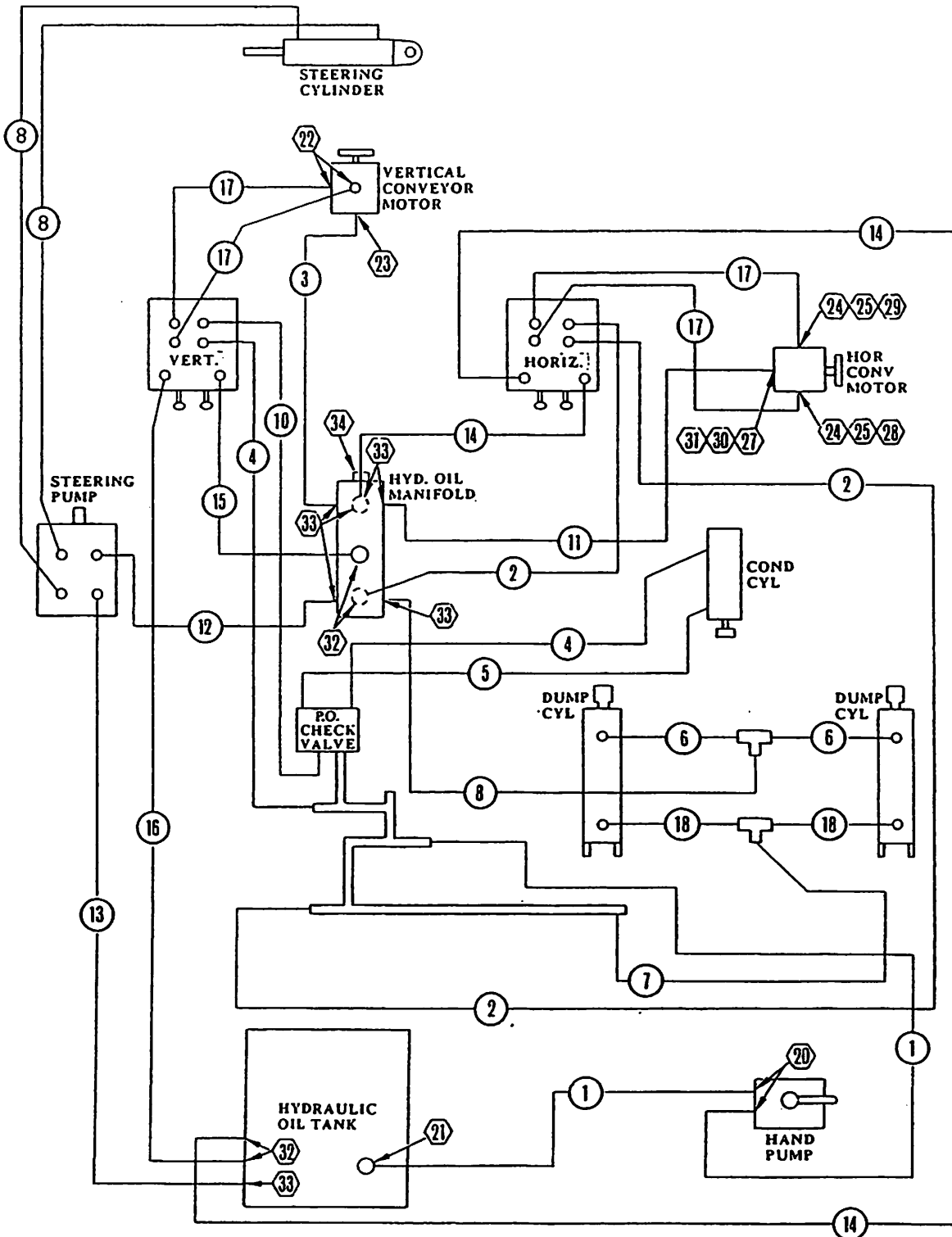
GROUP 55-0040A
HYDRAULIC OIL TANK GROUP

IND	PART NO	DESCRIPTION	QTY	SERIAL NO
1	7A-0553A	HYDRAULIC OIL TANK	1	4493-5412
	7A-0555A	HYDRAULIC OIL TANK	1	5579-
2	2L-5521R	ELECTRIC MOTOR	1	4493-
N/S	KZ-5522B	KIT, BRUSH REPLACEMENT, ELECTRIC MOTOR	1	5823-
3	7D-6841B	FILL CAP	1	4493-
N/S	HA-04704	SCREW, FILL HD, 10-32 X 3/8	6	4493-
4	7K-15740	GAUGE, HYDRAULIC OIL LEVEL	1	4493-
5	7A-0554A	ASSEMBLY, MOTOR ADJUSTMENT PLATE	1	4493-
6	41-43510	SHEAVE	1	4493-
7	41-42010	BUSHING	1	4493-
8	41-43520	SHEAVE	1	4493-4638
	41-43530	SHEAVE	1	4782-
9	41-42020	BUSHING	1	4493-4638
	43-73380	BUSHING	1	4782-
10	42-75460	BELT, DOUBLE	1	4493-4638
	42-75470	BELT, DOUBLE	1	4782-
11	7A-0553S	GUARD	1	4493-
12	3R-5522A	FILTER ASSEMBLY, NPT PORTS	1	4493-5412
	3R-55220	FILTER ASSEMBLY, O-RING PORTS	1	5579-
N/S	3R-5522B	FILTER PRESSURE SWITCH	1	4493-
N/S	3R-5522C	FILTER ELEMENT ONLY	1	4493-
13	23-08000	MANIFOLD, OIL RETURN	1	4493-5008
	7A-15870	MANIFOLD, OIL RETURN	1	5199-
14	7A-0553Z	TANK TOP PLATE	1	4493-
N/S	2D-05108	GASKET STRIP	5	4493-
N/S	HA-06011	SCREW, HEX HD, 1/4-20 X 3/4	14	4493-4855
N/S	HA-0601A	SCREW, HEX HD, 1/4-20 X 3/4	14	4916-
N/S	HA-06862	WASHER, FLAT, 1/4	14	4493-4855
N/S	3L-2000A	SEALING WASHER	14	4916-
15	HA-1421A	SCR, HEX, 1/2-20 X 3	1	4493-
N/S	HD-15981	NUT, HIGH HEX, 1/2-20	1	4493-
16	HA-10017	SCREW, HEX HD, 3/8-16 X 2-1/4	4	4493-
N/S	HA-10862	LOCKWASHER, 3/8	4	4493-
N/S	HA-10980	NUT, HEX, 3/8-16	4	4493-
N/S	FW-82000	90° ELBOW	4	4493-
N/S	F1-64170	STRAIGHT REDUCER	1	4493-
N/S	PM-5184C	HYD HOSE, 1/2 X 38	2	4493-
N/S	PM-5184D	HYD HOSE, 1/2 X 38	1	4493-

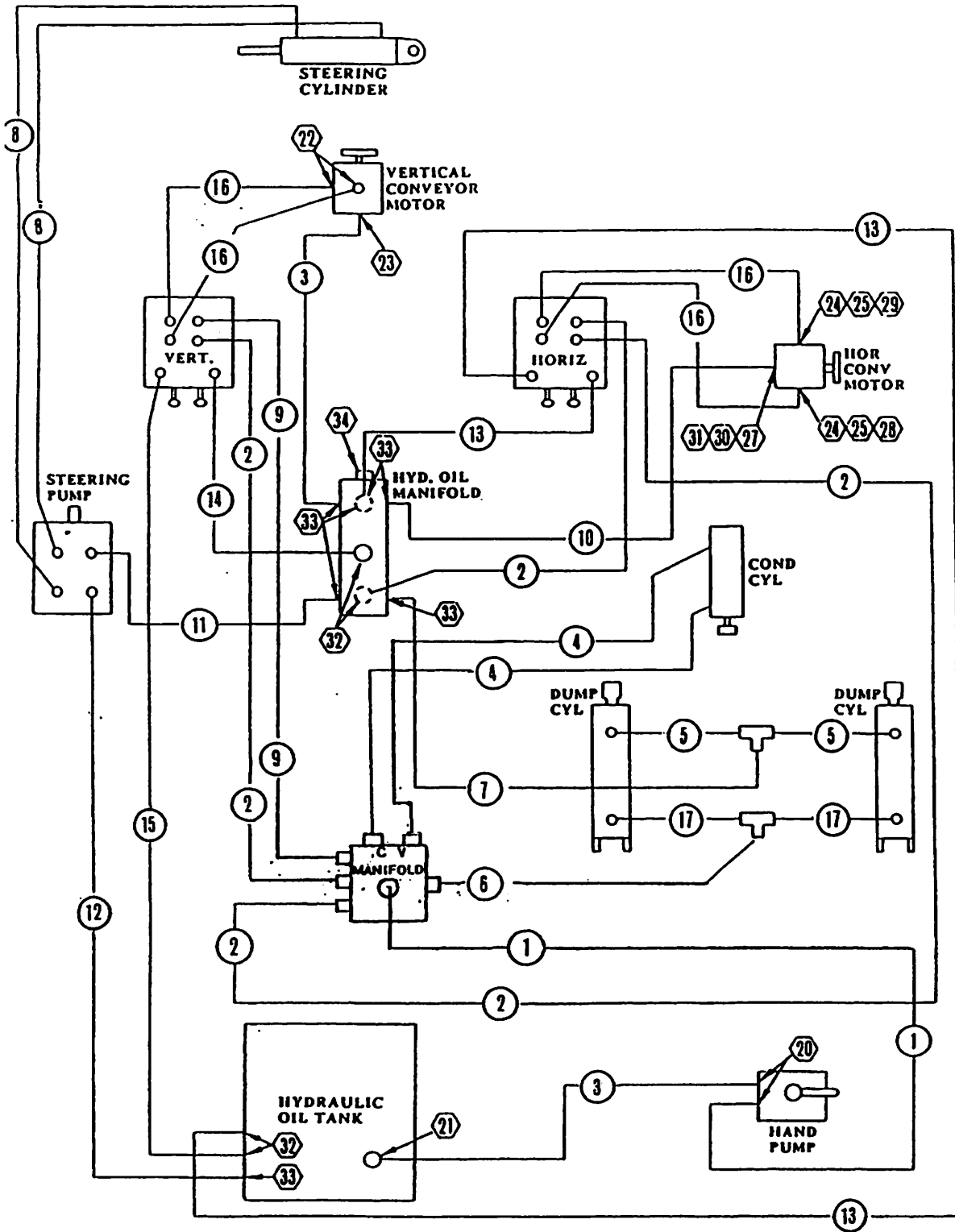
GROUP 55-0040A
HYDRAULIC OIL TANK GROUP (cont'd)

IND	PART NO	DESCRIPTION	QTY	SERIAL NO
N/S	RC-2338A	SUCTION HOSE	1	4493-4638
N/S	RC-2338B	SUCTION HOSE	1	4493-4638
N/S	2D-05110	GASKET, B FLG, PUMP OR MOTOR	1	4493-
N/S	2P-5520A	PUMP, HYDRAULIC, 750 PSI, 4GPM (WITH MANUALLY ACTIVATED BOARD BRUSH)	1	4493-4931
	2P-5520A	PUMP, HYDRAULIC, 750 PSI, 4 GPM (WITHOUT FACTORY INSTALLED BOARD BRUSH)	1	4932-
	2P-5520B	PUMP, HYDRAULIC, 1500 PSI, 3GPM (WITH SOLENOID ACTIVATED BOARD BRUSH)	1	4932-
N/S	HA-14316	SCREW, FLAT HD SKT, 1/2-13 X 2	2	4493-
N/S	HA-14862	LOCKWASHER, 1/2	2	4493-
N/S	HA-14980	NUT, HEX, 1/2-13	2	4493-
N/S	3R-5521B	IN-TANK STRAINER	2	4493-
N/S	FD-18220	PLUG, MAGNETIC, 3/4	1	4493-
N/S	2V-50031	PO CHECK VALVE	1	4782-

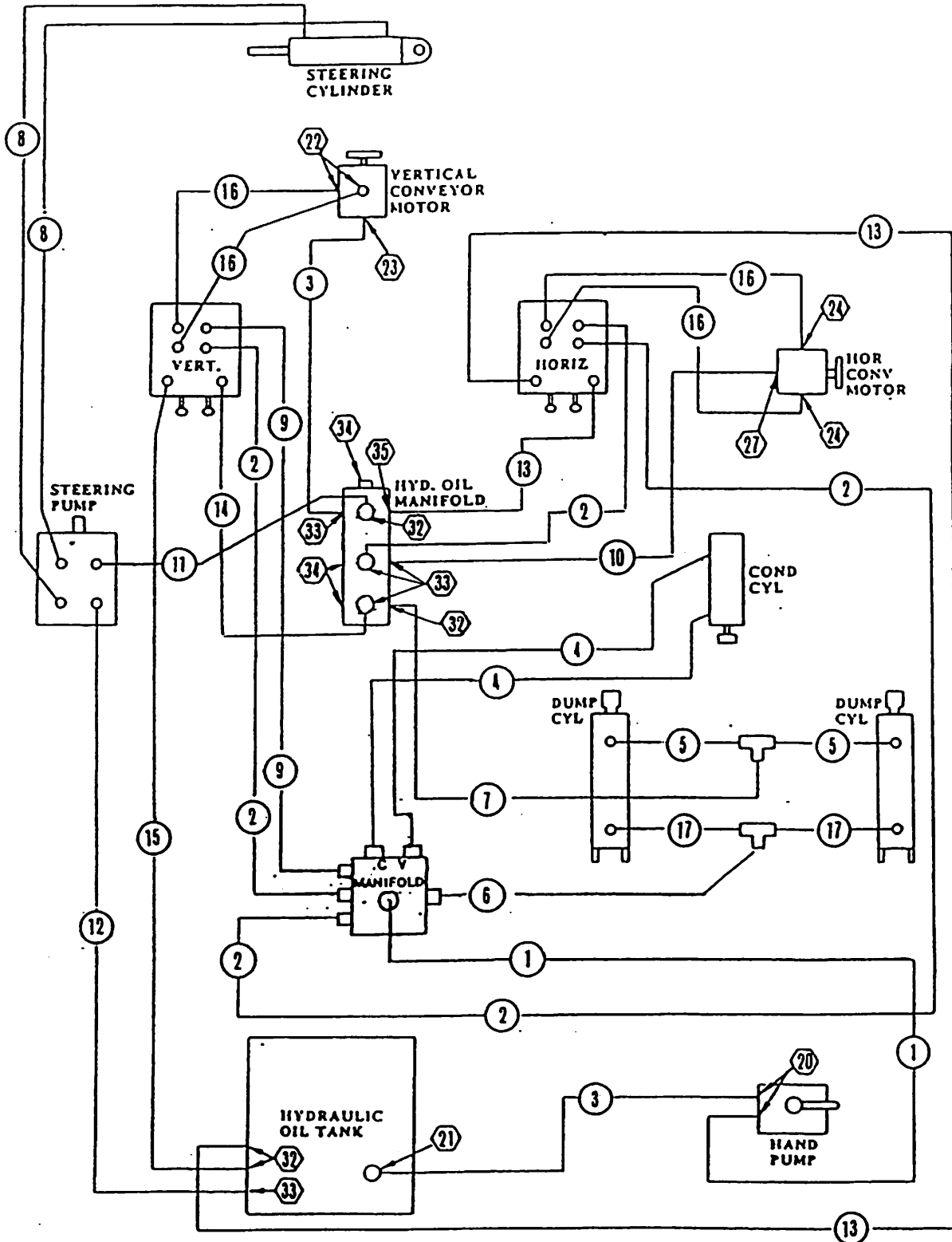
GROUP 55-0041A
HYDRAULIC HOSE GROUP
 SERIAL NUMBERS 4493-4638



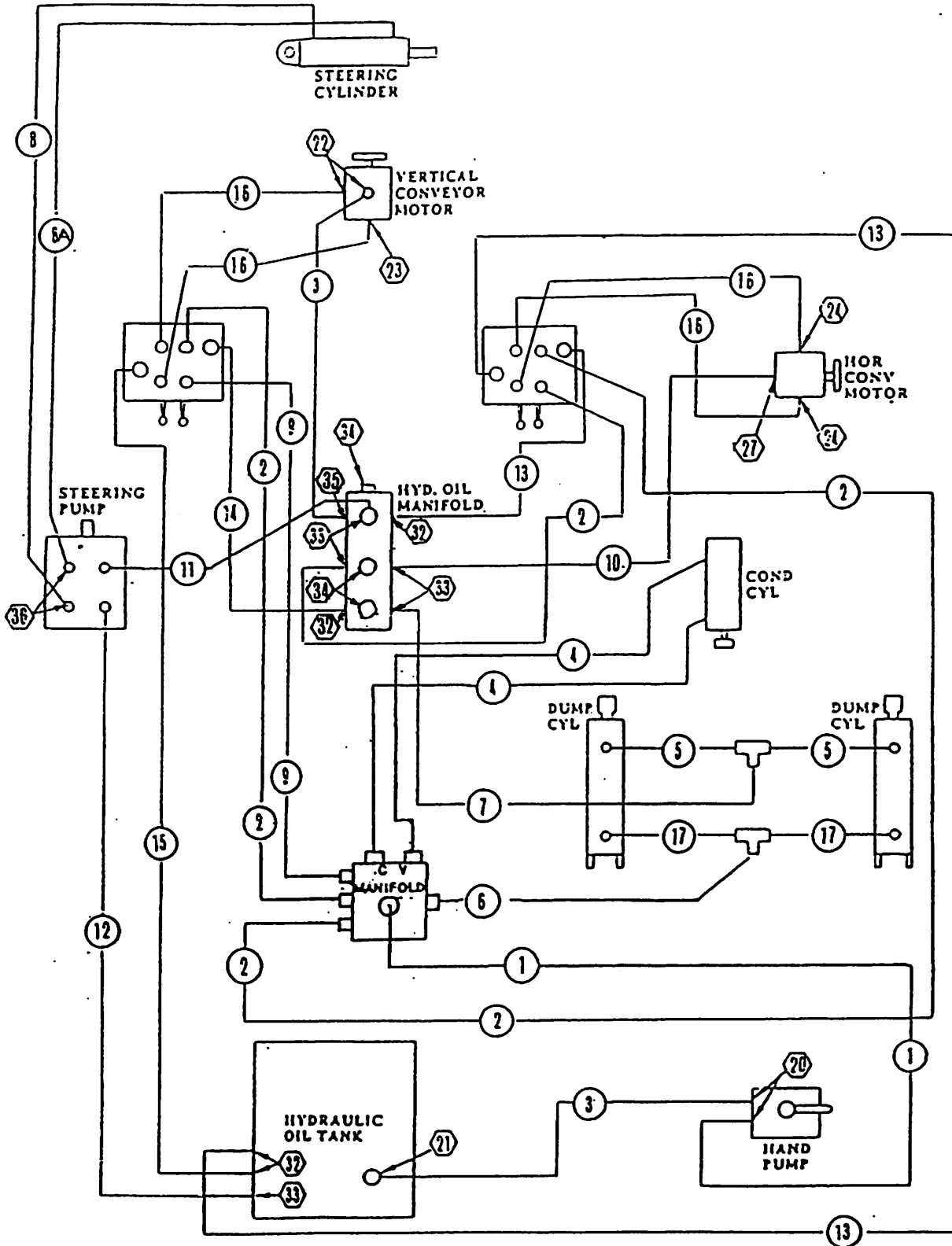
GROUP 55-0041A
HYDRAULIC HOSE GROUP (cont'd)
 SERIAL NUMBERS 4782-5008



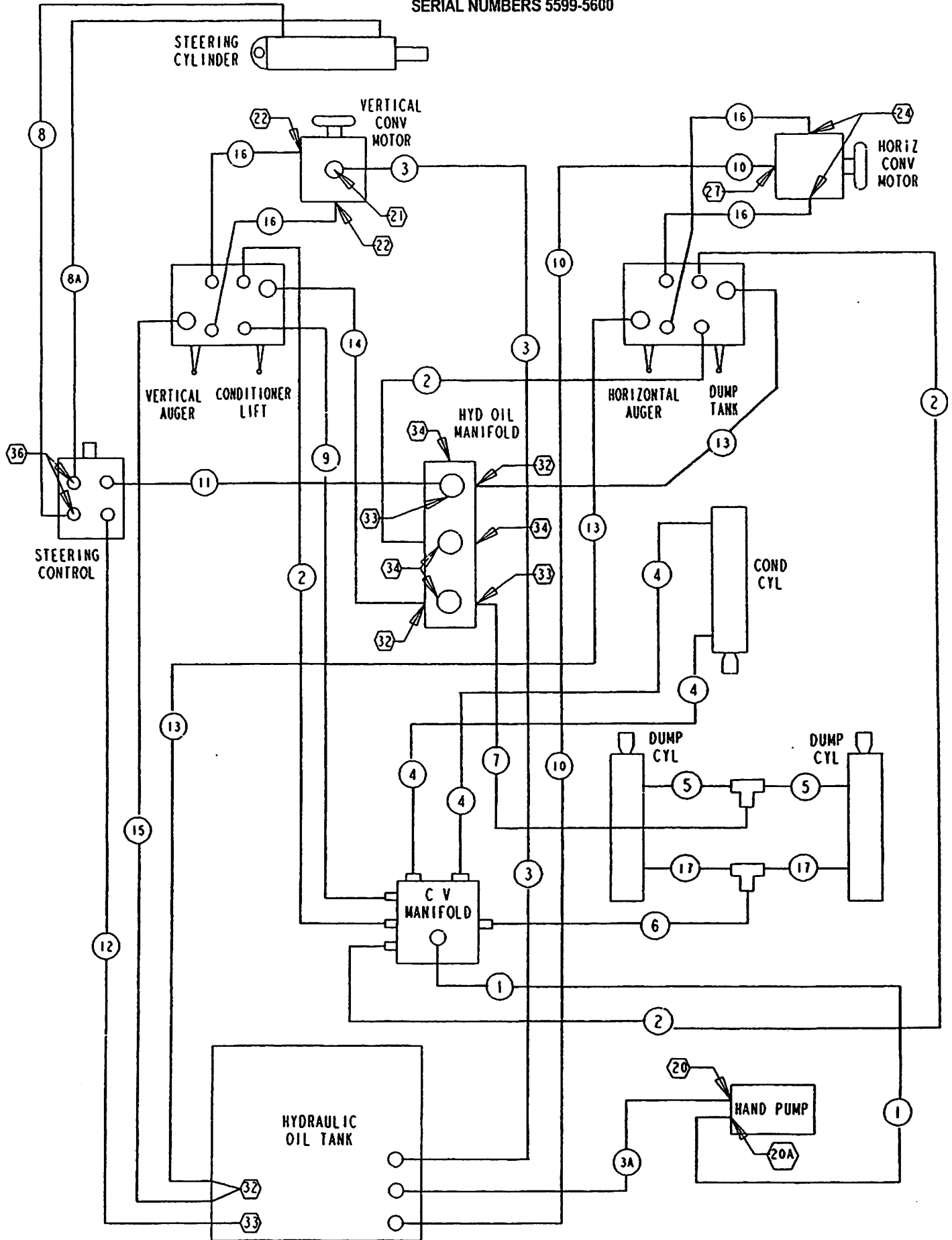
GROUP 55-0041A
HYDRAULIC HOSE GROUP (cont'd)
 SERIAL NUMBERS 5119-5228



GROUP 55-0041A
HYDRAULIC HOSE GROUP (cont'd)
 SERIAL NUMBERS 5378-5598



GROUP 55-0041A
HYDRAULIC HOSE GROUP (cont'd)
 SERIAL NUMBERS 5599-5600

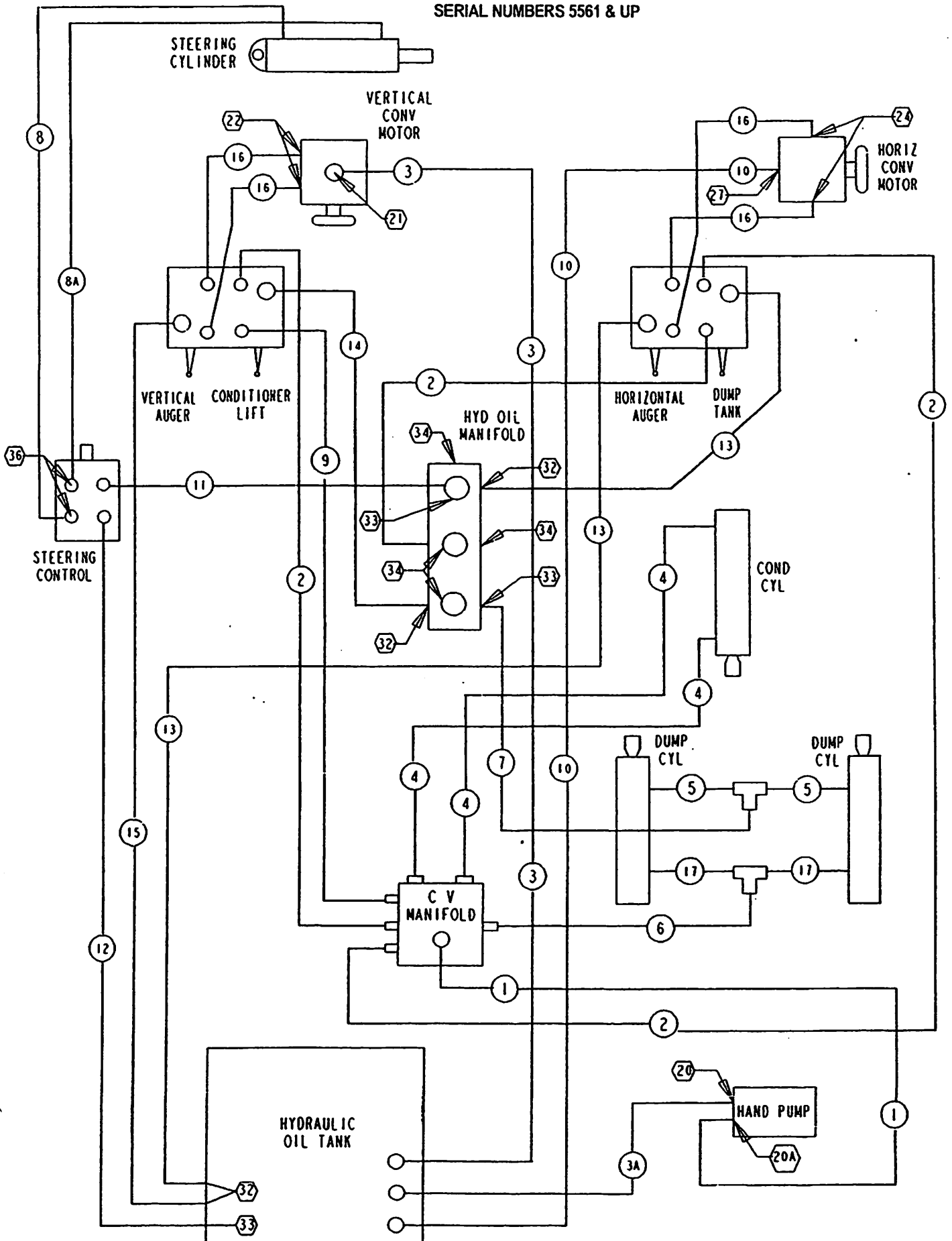


GROUP 55-0041A
HYDRAULIC HOSE GROUP

IND	PART NO	DESCRIPTION	QTY	SERIAL NO
①	PM-1072C	HOSE, 1/4 X 18	2,1	4493-
②	PM-1120B	HOSE, 1/4 X 30	3	4493-6894
	PM-3132C	HOSE, 3/8 X 33	3	6866,7089-
③	PM-1120D	HOSE, 1/4 X 30	2	4493-5598
	PM-3260A	HOSE, 3/8 x 65	1	5599-
③A	PM-1109A	HOSE, 1/4 x 25	1	5599-
④	PM-1144D	HOSE, 1/4 X 36	2	4493-
⑤	PM-1200B	HOSE, 1/4 X 50	2	4493-
⑥	PM-1464B	HOSE, 1/4 X 116	1	4493-
⑦	PM-1508B	HOSE, 1/4 X 127	1	4493-
⑧	PM-1692B	HOSE, 1/4 X 168	1,2	4493-
⑧A	PM-1705B	HOSE, 1/4 X 178	1	5378-
⑨	PM-3124B	HOSE, 3/8 X 31	1	4493-
⑩	PM-3180B	HOSE, 3/8 X 45	1	4493-5228
	PM-3196B	HOSE, 3/8 X 49	1	5378-5598
	PM-3153A	HOSE, 3/8 x 30	1	5598-
⑪	PM-3252B	HOSE, 3/8 X 63	1	4493-
⑫	PM-3252C	HOSE, 3/8 X 70	1	4493-5228
	PM-3304B	HOSE, 3/8 x 76	1	5378-
⑬	PM-4104B	HOSE, 1/2 X 26	2	4493-6894
	PM-4116C	HOSE, 1/2 X 29	2	6866,7089-
⑭	PM-4116B	HOSE, 1/2 X 29	1	4493-6894
	PM-4124C	HOSE, 1/2 X 31	1	6866,7089-
⑮	PM-4148B	HOSE, 1/2 X 37	1	4493-6894
	PM-4160E	PM-4148B is still used with the automatic snow breaker option HOSE, 1/2 X 40 PM-4160E is not used with the automatic snow breaker option. It is replaced by PM-4148B.	1	6866,7089-
⑯	PM-4248B	HOSE, 1/2 X 62	4	4493-6894
	PM-4260B	HOSE, 1/2X 65	4	6866,7089-
⑰	PM-1176E	HOSE, 1/4 X 44	2	4493-5830
	PM-1176F	HOSE, 1/4 X 44	2	5831-
⑳	F2-64040	FITTING	2	4493-4638
	F2-69040	FITTING	1	4782-
20A	F2-69290	FITTING	1	4782-
㉑	F2-64080	FITTING	1	4493-4638
	F2-69080	FITTING	1,2,1	4782-
㉒	F2-69130	ELBOW	2,1	4493-
㉓	F2-75030	ELBOW	1	4493-4945,5000
	F2-69050	ELBOW	1	4981-
㉔	F2-69130	ELBOW	2	4493-

GROUP 55-0041A HYDRAULIC HOSE GROUP (cont'd)

SERIAL NUMBERS 5561 & UP



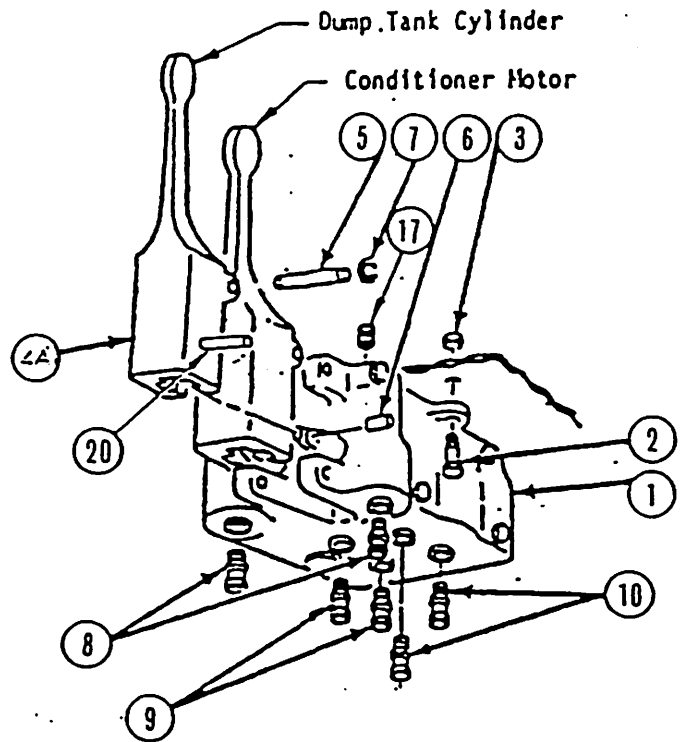
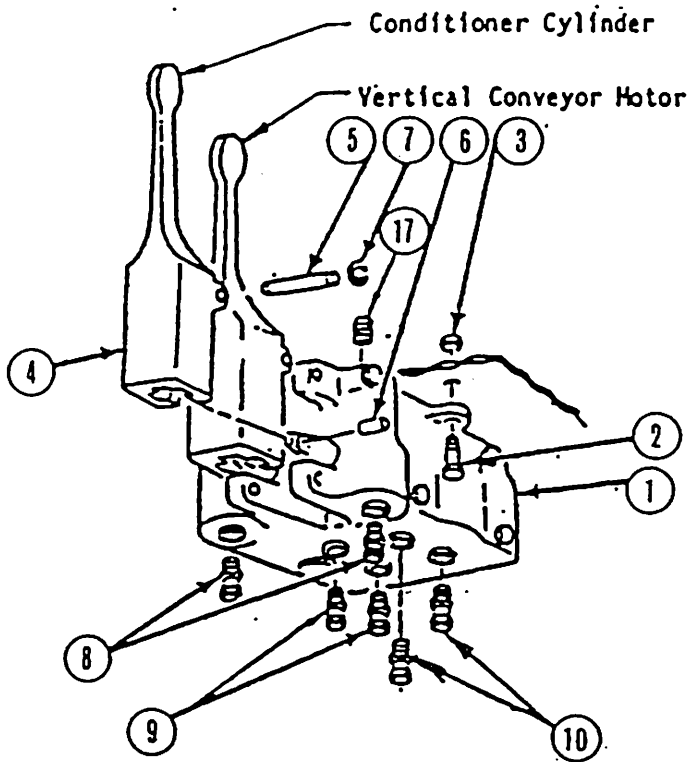
GROUP 55-0041A
HYDRAULIC HOSE GROUP (cont'd)

IND	PART NO	DESCRIPTION	QTY	SERIAL NO
25	F2-62030	FITTING	2	4493-4936
26	F2-62020	FITTING	1	4493-4936
27	F2-64070	FITTING	1	4493-
28	FW-38410	COUPLING HALF	2	4493-4936
29	FW-39410	COUPLING HALF	2	4493-4936
30	FW-38240	COUPLING HALF	1	4493-4936
31	FW-39240	COUPLING HALF	1	4493-4936
32	F1-69060	ELBOW	4	4493-6894
	F1-69060	ELBOW	0	6866
33	F1-69050	ELBOW	5,6	4493-
34	F1-18040	PLUG	2	4493-
35	F1-75040	ELBOW	1	5199-
36	F2-64100	FITTING	2	5378-5412

- = HYDRAULIC HOSES
 ◊ = HYDRAULIC FITTINGS

NOTE: Hydraulics fittings not shown on this drawing are shown in their respective groups.

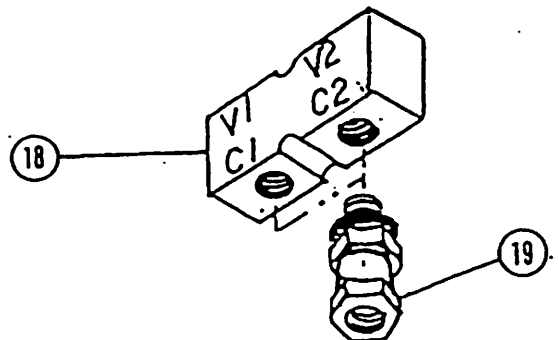
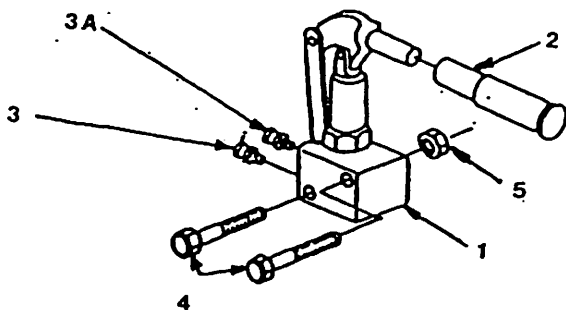
GROUP 55-0042A
HYDRAULIC CONTROL VALVES AND HAND PUMP GROUP
 SERIAL NUMBERS 4493-5528



HAND PUMP

P.O. Check Valve

Serial No: 4493 - 4638



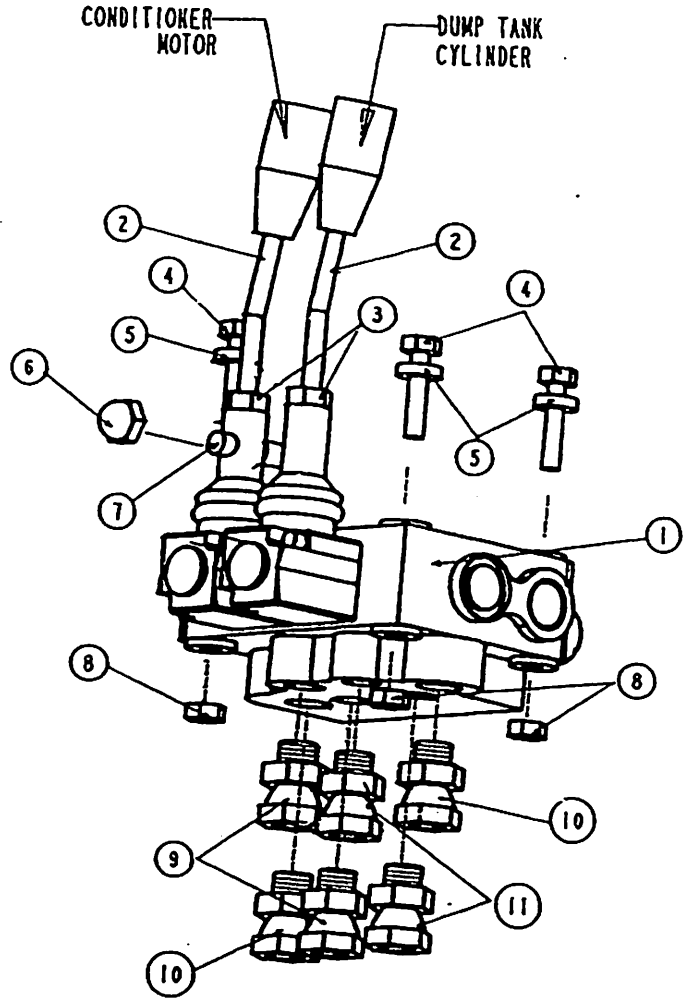
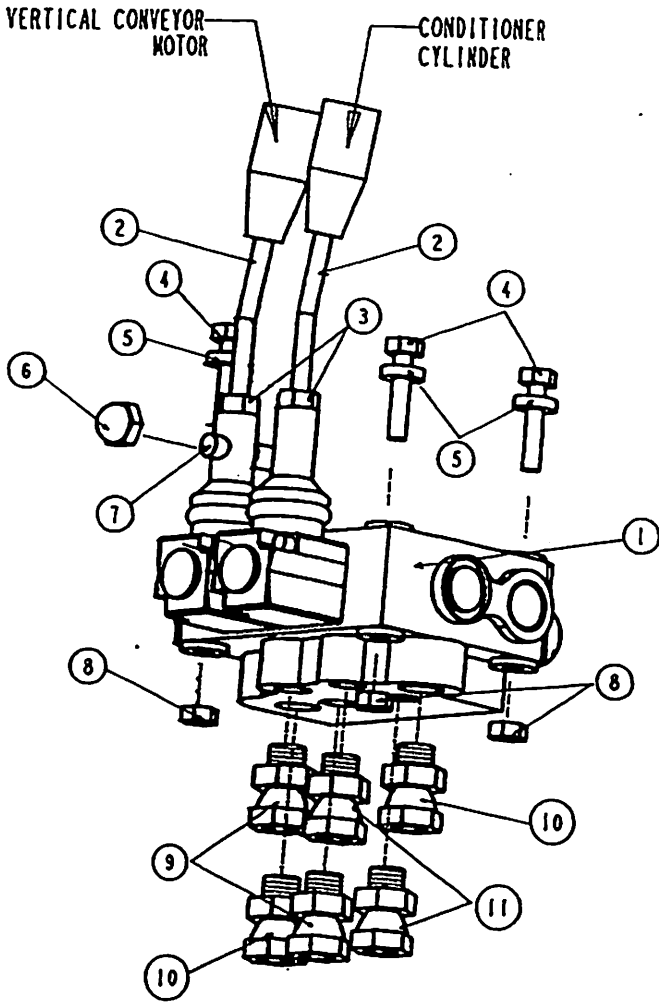
GROUP 55-0042A
HYDRAULIC CONTROL VALVES AND HAND PUMP GROUP

IND	PART NO	DESCRIPTION	QTY	SERIAL NO
1	2V-75552	VALVE, HYDRAULIC CONTROL	2	4493-5228
	2V-76191	RELIEF VALVE	2	4493-5228
	2V-75030	HANDLE KIT, CONTROL VALVE	2	4493-5228
2	HA-10013	SCREW, HEX HD, 3/8-16 X 1-1/4	6	4493-5228
	HA-10018	SCR, HEX HD, 3/8-16 X 2-1/2	2	4493-5228
3	HA-10981	NUT, HEX LOCK, 3/8-16	8	4493-5228
4	4A-37800	LEVER, CONTROL VALVE	3	4493-5228
4A	2V-75032	LEVER, CONTROL VALVE	1	4493-5228
5	16-85190	PIN, CONTROL VALVE LEVER, LONG	2	4493-5228
6	16-37810	PIN, CONTROL VALVE LEVER, SHORT	4	4493-5228
7	HA-7024A	SNAP RING, PIN RETAINING	4	4493-5228
8	F1-64370	ADAPTER	4	4493-5228
	F2-69040	ADAPTER	2	4493-5228
9	F1-64340	ADAPTER	4	4493-5228
10	F1-64330	ADAPTER	7	4493-5228
17	FL-18160	PLUG, FLUSH SEAL, 1/2 HEX SKT	2	4493-5228
18	2V-44590	VALVE, DOUBLE PO CHECK	1	4493-4638
	2V-44591	RELIEF VALVE	1	4493-4638
19	F1-64300	ADAPTER	2	4493-4638
20	HA-66807	EXPANSION PIN	1	4493-5228
N/S	7T-55222	BRACKET	1	4493-5228

HAND PUMP

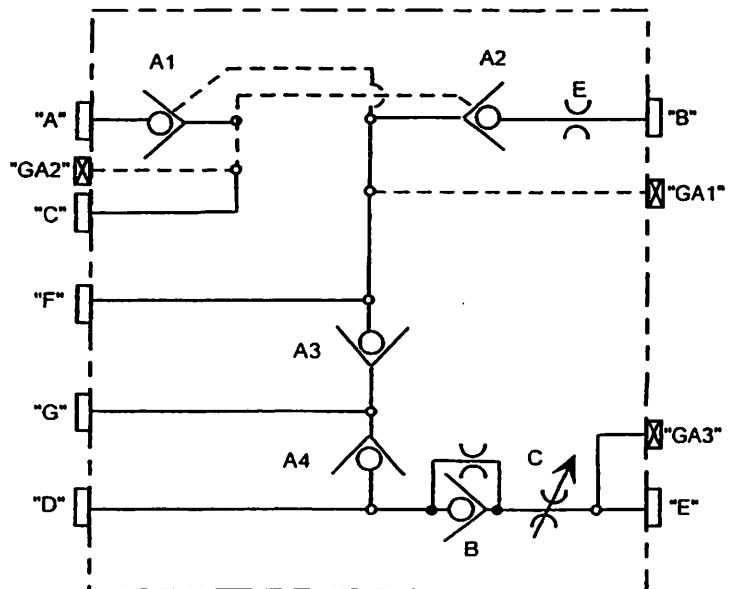
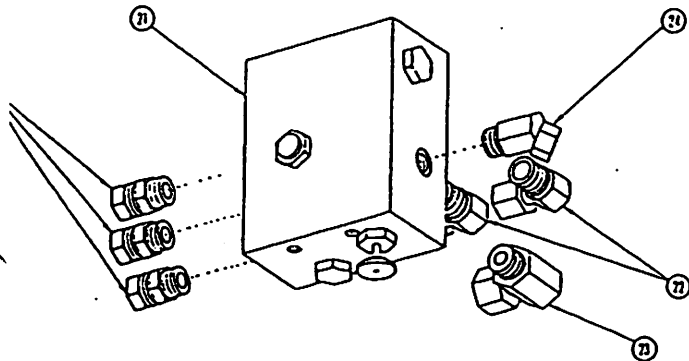
1	KZ-10010	KIT, HAND PUMP W/RELIEF VALVE, W/OUT HANDLE	1	4493-5220
	2P-1002P	HAND PUMP W/RELIEF VALVE, W/OUT HANDLE	1	5221-
2	2P-1000H	HANDLE, HAND PUMP	1	4493-
3	F2-64040	ADAPTER	2	4493-4638
	F2-69040	ELBOW	1	4782-5220
	F1-69010	ELBOW	1	5221-
3A	F2-69290	ELBOW	1	4782-5220
	F1-69210	ELBOW	1	5221-
4	HA-10018	SCREW, HX HD, 3/8-16 X 2-1/2	2	4493-
5	HA-10981	LOCKNUT, HEX, 3/8-16	2	4493-

GROUP 55-0042A
HYDRAULIC CONTROL VALVES AND HAND PUMP GROUP (cont'd)
 SERIAL NUMBERS 5378 & UP



CHECK VALVE MANIFOLD
 Serial No: 4782-

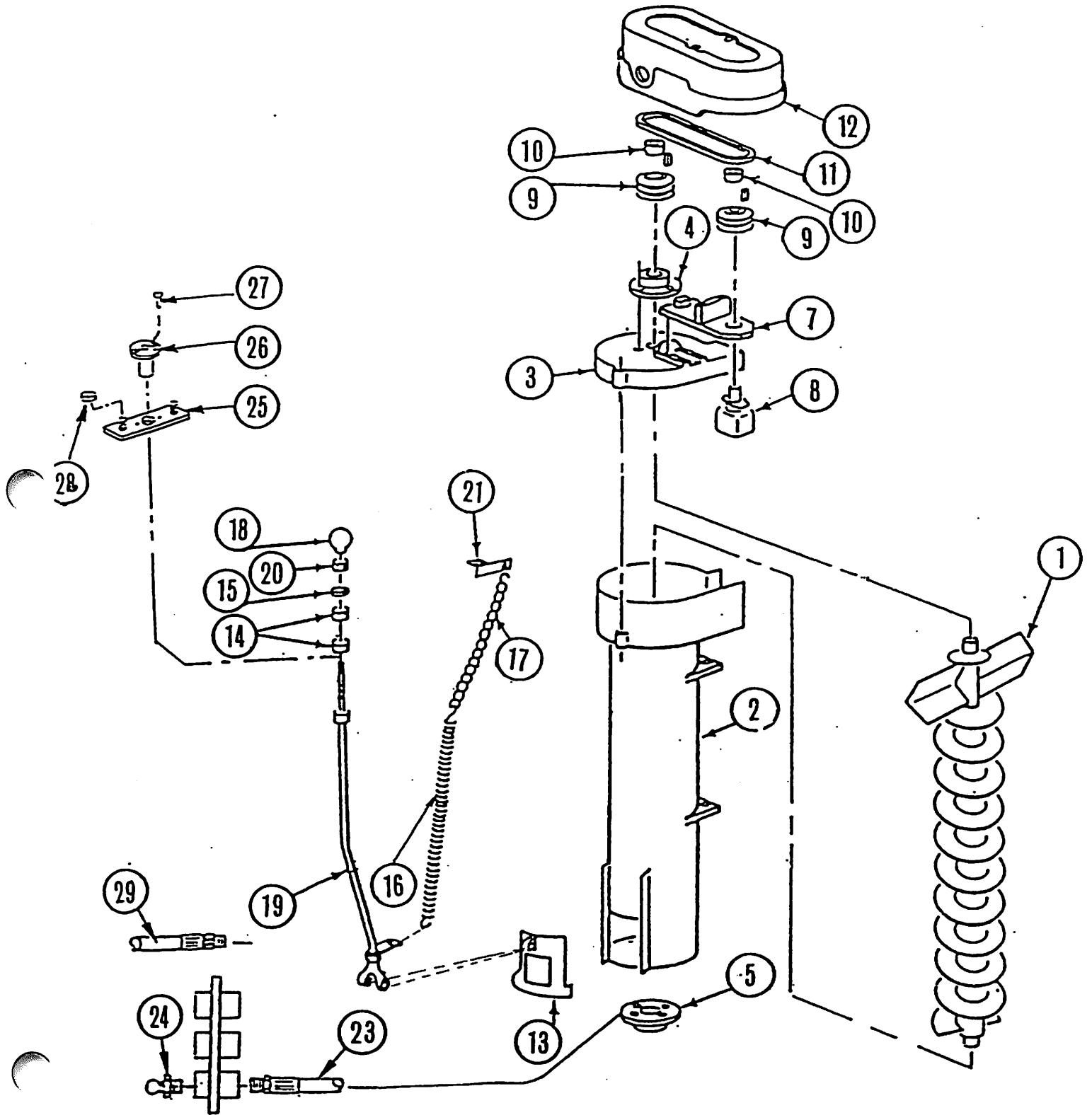
Check Valve Manifold
 Serial No: 4782-



GROUP 55-0042A
HYDRAULIC CONTROL VALVES AND HAND PUMP GROUP (cont'd)

IND	PART NO	DESCRIPTION	QTY	SERIAL NO
1	2V-76552	VALVE, HYDRAULIC CONTROL	2	5378-
2	2V-75080	HANDLE, CONTROL VALVE	4	5378-
3	HM-17982	NUT, JAM	4	5378-
4	HA-08018	SCREW, HEX HD, 5/16-18 X 2-1/2	6	5378-
5	HA-06862	FLATWASHER, 1 /4	6	5378-
6	HM-17985	NUT, ACORN	2	5378-
7	46-05195	BRACKET	2	5378-
8	HA-08981	LOCKNUT, 5/16-18	6	5378-
9	F1-64340	ADAPTER	4	5378-6894
	F1-64340	ADAPTER	0	6866
10	F1-64370	ADAPTER	4	5378-6894
	F1-64370	ADAPTER	0	6866
		One adapter is still used with the automatic snow breaker option (vertical conveyor motor section, inlet port)		
11	F1-64330	ADAPTER	4	5378-6894
	F1-64330	ADAPTER	0	6866
N/S	7T-55235	BRACKET	1	5378-
		<u>CHECK VALVE MANIFOLD</u>		
21	2V-44596	CHECK VALVE MANIFOLD ASSY W/FITTINGS	1	4782-
	2V-44595	CHECK VALVE MANIFOLD ONLY	1	4782-
	2V-44591	CARTRIDGE VALVE, CHECK VALVE MANIFOLD	4	4782-
	2V-44592	RESTRICTOR CHECK VALVE, CHECK VALVE MANIFOLD	1	4782-
	2V-44597	ADJUSTING NEEDLE VALVE, CHECK VALVE MANIFOLD	1	4782-
	2V-44598	ORIFICE PLUG, CHECK VALVE MANIFOLD	1	4782-
10	F1-64330	ADAPTER	3	5378-6894
	F1-64330	ADAPTER	0	6866
22	F1-69050	ADAPTER	2	4782-
23	F1-69030	ADAPTER	1	4782-
24	F1-75040	ADAPTER	1	4782-

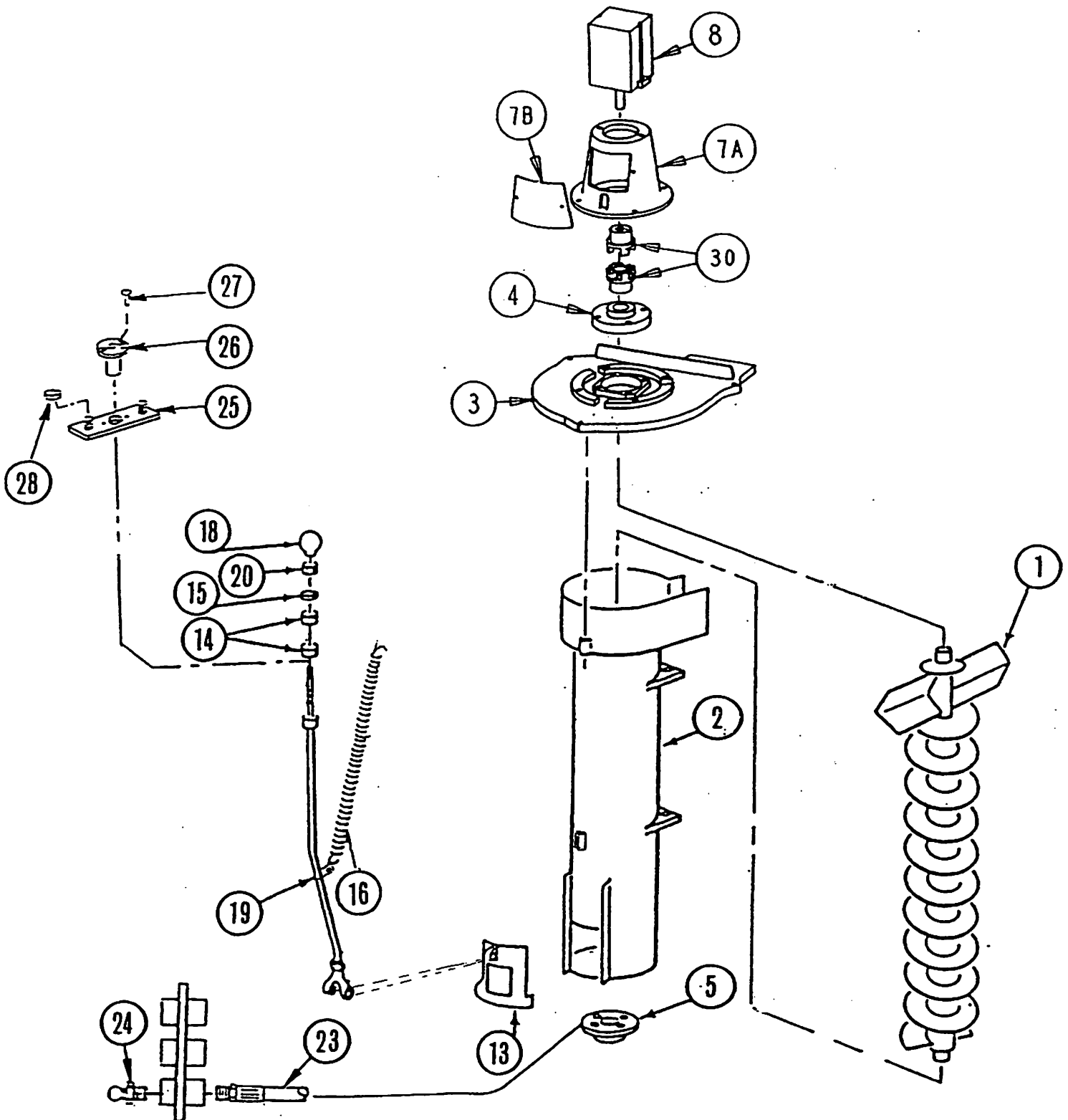
GROUP 55-0050A
VERTICAL CONVEYOR, SNOW BREAKER GROUP
SERIAL NUMBERS 4493-5600



GROUP 55-0050A
VERTICAL CONVEYOR, SNOW BREAKER GROUP

IND	PART NO	DESCRIPTION	QTY	SERIAL NO
1	5A-69740	VERTICAL CONVEYOR	1	4493-
2	5A-05000	HOUSING, VERTICAL CONVEYOR	1	4493-4942,5000
	5A-06000	HOUSING, VERTICAL CONVEYOR	1	4943-6318
	5A-06010	HOUSING, VERTICAL CONVEYOR	1	6583-6894
	5A-06020	HOUSING, VERTICAL CONVEYOR	1	7089-
3	5A-05010	COVER, VERTICAL CONVEYOR	1	4493-5600
	5A-05100	COVER, VERTICAL CONVEYOR	1	5601-
	HA-10029	SCREW, HEX HD, 3/8-16 X 6-1/2	3	4493-5600
	HA-10984	K-LOCKNUT, 3/8-16	3	4493-5600
	HA-1003S	SCREW, HEX HD, 3/8-16 X 6-5/8	3	5601-6894
	HA-10030	SCREW, HEX HD, 3/8-16 X 7	3	7089-
	HA-1501S	SCREW, HEX, HD, 1/2-20 X 3/8	3	6583-
	HA-10980	NUT, HEX, 3/8-16	3	5601-
	HA-10860	FLAT WASHER, 3/8	3	5601-
	HA-10861	FLAT WASHER, SAE, 3/8	3	5601-
	HA-10862	LOCKWASHER, 3/8	3	5601-
4	1X-36642	BEARING, TOP	1	4493-
	HA-12014	SCREW, HEX HD, 7/16-14 X 1-1/2	4	4493-5600
	HA-12862	LOCKWASHER, 7/16	4	4493-5600
	HE-10003	SCREW, HEX HD, 3/8-16 X 1-1/2	4	5601-
	HA-10860	FLAT WASHER, 3/8	4	5601-
	1Z-1669B	GREASE FITTING, 1-3/4" LONG	1	6306-
5	1X-36642	BEARING, BOTTOM	1	4493-
	HA-10014	SCREW, HEX HD, 3/8-16 X 1-1/2	4	4493-
	HA-10862	LOCKWASHER, 3/8	4	4493-
7	3M-70520	MOTOR MOUNT	1	4493-5600
	HA-10013	SCREW, HEX HD, 3/8-16 X 1-1/4	6	4493-5600
	HE-1000Z	SCREW, SPECIAL, 3/8	1	4493-5600
7A	3M-11000	MOTOR MOUNT	1	5601-
	HA-10011	SCREW, HEX HD, 3/8-16 X 1	4	5601-
	HA-10862	LOCKWASHER, 3/8	4	5601-
	HA-10860	FLAT WASHER, 3/8	4	5601-
7B	3M-11020	COVER, MOTOR MOUNT	1	5601-
	HF-04206	SCREW, SS, BUTTON HD, 10-32 X 1/2	2	5601-
	HA-03862	LOCKWASHER, #10	2	5601-
8	KZ-5523A	KIT. HYD MOTOR REPLACEMENT (2M-5523A)	1	4493-4945,5000
	2M-75090	MOTOR ONLY	1	4781-
9	41-56900	SHEAVE	2	4493-5600
10	41-37960	BUSHING	1	4493-5600
	15-02116	KEY	1	4493-

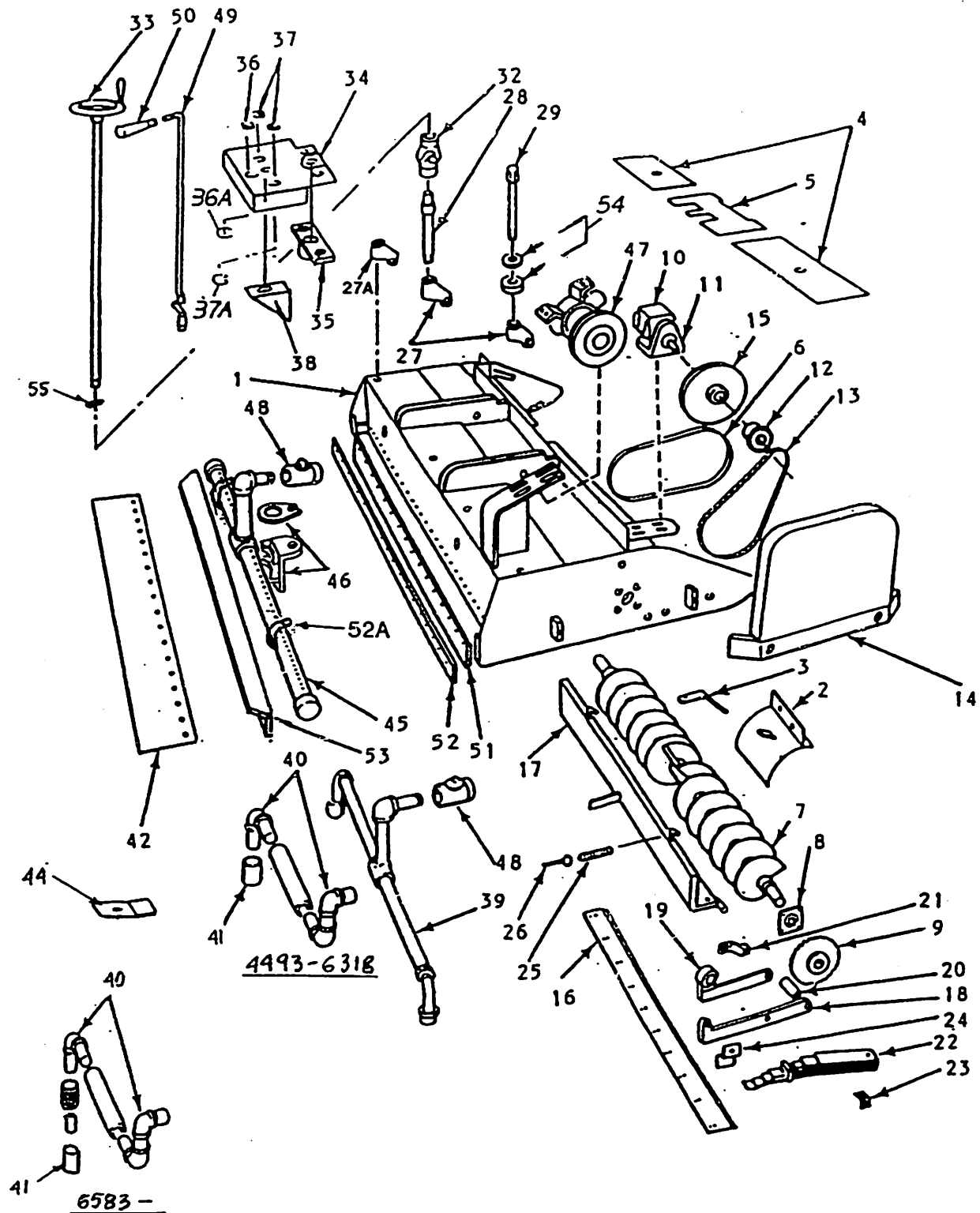
GROUP 55-0050A
VERTICAL CONVEYOR, SNOW BREAKER GROUP (cont'd)
SERIAL NUMBERS 5601 & UP



GROUP 55-0050A
VERTICAL CONVEYOR, SNOW BREAKER GROUP (cont'd)

IND	PART NO	DESCRIPTION	QTY	SERIAL NO
10A	41-37970	BUSHING	1	4493-5600
	15-01116	KEY	1	4493-
11	42-75460	BELT, DOUBLE	1	4493-5600
12	49-71011	BELT GUARD	1	4493-5600
	HF-08009	SCREW, 5/16-18 X 3/4	2	4493-5600
	HA-08860	WASHER, FLAT, 5/16	2	4493-5600
13	5C-69630	SNOW BREAKER	1	4493-
14	8T-75380	RUBBER BUMPER	2	4493-
15	HA-10860	WASHER, FLAT, 3/8	5	4493-
	HA-10862	LOCKWASHER, 3/8	8	4493-
	HA-10980	NUT, HEX, 3/8-16	1	4493-
	HA-10981	NUT, HEX LOCK, 3/8-16	10	4493-
16	1L-75450	SNOW BREAKER SPRING	1	4493-
	HA-1101S	ANCHOR BOLT	1	5601-
	HA-77100	RING	1	5601-
17	48-76646	CHAIN	1	4493-5600
18	4B-40830	KNOB	1	4493-
19	5C-16930	SNOW BREAKER CONTROL ROD	1	4493-
20	HA-11980	NUT, HEX, 3/8-24	1	4493-
21	5T-71190	BRACKET	1	4493-5600
23	PL-0112B	HOSE, LUBRICATION, 1/8 X 28	1	4493-4942,5000
	PL-0135B	HOSE, LUBRICATION, 1/8 X 53	1	4943-
24	1Z-01580	GREASE FITTING, 1/8 NPT	3	4493-
25	38-16956	SNOW BREAKER BASE PLATE	1	4493-5228
	38-16957	SNOW BREAKER BASE PLATE	1	5378-
26	13-19925	BUSHING	1	4493-
27	HF-04309	SCREW, SS, SOCKET FLAT HD, 10-32 X 3/4	2	4493-
28	HA-08981	NUT, HEX LOCK, 5/16-18	2	4493-5228
	HA-08009	SCREW, HX HD, 5/16-18 X 3/4	2	5378-
	HA-08862	LOCKWASHER, 5/16-18	2	5378-
29	PL-0112B	HOSE, LUBRICATION, 1/8 X 28	1	4943 ONLY
30	2A-0450D	COUPLING, DIRECT DRIVE, 3/4 DIA TO 1 DIA	1	5601-

GROUP 55-0060A; 55-0061A; 55-0062A
CONDITIONER GROUPS



GROUP 55-0060A; 55-0061A; 55-0062A
CONDITIONER GROUPS

IND	PART NO	DESCRIPTION	QTY	SERIAL NO
<u>55-0060A / CONDITIONER FRAME GROUP</u>				
1	5H-72160	CONDITIONER FRAME	1	4493-
2	49-39590	SNOW SHIELD	1	4493-
3	5T-10210	BRACKET	1	4493-
4	46-77490	CONDITIONER END COVER	2	4493-
5	46-39760	CONDITIONER CENTER COVER	1	4493-
6	42-75450	BELT, SINGLE , 3V, RUBBER	1	4493-6292
	42-75440	BELT, 3V, POWER-TWIST (77 LINKS)	51"	6293-
7	5A-38230	HORIZONTAL CONVEYOR	1	4493-
8	1X-33490	BEARING	2	4493-
	5T-30100	BRACKET & COUPLING ASSEMBLY, REMOTE GREASING	2	7089-
	HA-06009	SCREW, HEX, HD, ¼-20 X 3/4	1	7089-
	HA-06611	SCREW, SKT FLAT HD, ¼-20 X 1	1	7089-
	HA-06981	LOCKNUT, ¼-20	2	7089-
	1Z-01580	ZERK FITTING	2	7089-
	FL-64005	ADAPTER, REMOTE GREASING	2	7089-
	PL-0056B	HOSE, LUBRICATION	2	7089-
9	43-4028A	SPROCKET	1	4493-
	43-73380	BUSHING	1	4493-
	15-02116	KEY	1	4493-
10	2M-5520A	MOTOR	1	4493-4638
	2M-5521A	MOTOR	1	4782-
11	2M-53150	FOOTMOUNT	1	4493-
12	43-39290	SPROCKET	1	4493-
13	44-4071A	CHAIN	1	4493-
14	49-72090	GUARD, CONVEYOR CHAIN	1	4493-
	2H-08000	TAPE, ANTI-SLIP (FT.)	2.7	6174-
15	KZ-7717A	KIT, SHEAVE & BUSHING	1	4493-4927
	41-77200	PULLEY	1	4928-5667
	49-77210	SHIELD	1	4928-5667
	HA-10001	SCREW, PAN HD, 3/8-16 X 1/2	2	4928-5667
	KZ-7717A	KIT, SHEAVE & BUSHING	1	5668-
<u>59-0061A / CONDITIONER BLADE GROUP</u>				
16	5K-33630	BLADE	1	4493-
	HF-14316	SCREW, S/S SKT FLAT HD, 1/2-13 X 2	10	4493-
	HF-14862	LOCKWASHER, S/S, 1/2	10	4493-
	HF-14980	NUT, S/S, HEAVY HEX, 1/2-13	10	4493-
17	5K-78890	BLADE SUPPORT	1	4493-
18	5F-33410	LEFT FULCRUM ARM	1	4493-
	5F-33420	RIGHT FULCRUM ARM	1	4493-

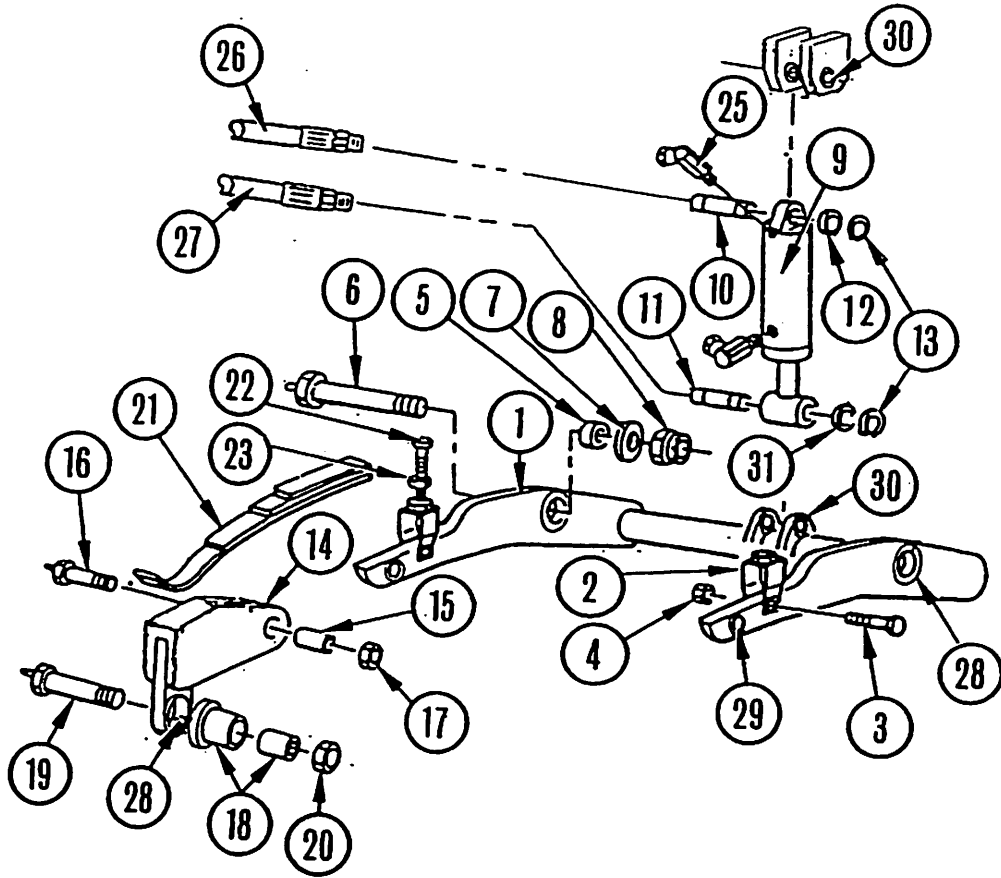
GROUP 55-0060A; 55-0061A; 55-0062A
CONDITIONER GROUPS (cont'd)

IND	PART NO	DESCRIPTION	QTY	SERIAL NO
	5F-33420	RIGHT FULCRUM ARM	1	4493-
19	5F-33450	BLADE HAMMER ARM	2	4493-
20	13-22160	SPACER	2	4493-
	HA-18987	NUT, 5/8-11	2	4493-
	HA-18860	WASHER, FLAT, 5/8	2	4493-
	HA-18318	SCREW, FLAT HD SKT, 5/8-11 X 2-1/2	1	4493-
	HA-18018	SCREW, HEX HD, 5/8-11 X 2-1/2	1	4493-
21	5T-10220	BRACKET, SUPPORT HAMMER ARM	2	4493-
22	1L-33481	SPRING	2	4493-
	HD-2251L	SETSCREW, SQ HD, 3/4-10 X 3	2	4493-
23	5T-16100	BRACKET	2	4493-
	HA-14986	NUT, HEX FLEXLOCK, 1/2-13	4	4493-
	HA-14313	SCREW, FLAT HD SKT, 1/2-13 X 1-1/4	1	4493-
	HA-14013	SCREW, HEX HD, 1/2-13 X 1-1/4	2	4493-
24	5T-10200	BRACKET	2	4493-
	HA-12313	SCREW, SOCKET HD, 7/16-14 X 1-1/4	2	4493-
	HA-12981	LOCKNUT, HEX, 7/16-14	2	4493-
25	1L-33580	SPRING	2	4493-
26	HC-1011X	EYEBOLT & NUT	2	4493-
	HA-10980	NUT, 3/8-16	2	4493-
27	36-33930	CLEVIS ASSY, RH & CENTER	2	4493-
27A	36-3393A	CLEVIS ASSY, LH	1	4916-
	1Z-01620	GREASE FITTING	3	4916-
	HA-12015	SCREW, HEX HD, 7/16-14 X 1-3/4	3	4493-
	HA-12981	NUT, 7/16-14	3	4493-
28	5F-33510	BLADE ANGLE ADJUSTING SCREW	1	4493- 6318
	5F-33510	BLADE ANGLE ADJUSTING SCREW (WITH LOCK BOLT)	1	6583-
	HF-08009	SCREW, SS, HX HD, 5/16-18 X 3/4	1	6583-
	HA-08860	FLAT WASHER, 5/16	1	6583-
	HA-08862	LOCK WASHER, 5/16	1	6583-
29	5F-37340	SCREW, BLADE HEIGHT ADJUSTMENT	2	4493-
32	2B-33570	U-JOINT, BLADE ADJUSTMENT	1	4493-
	15-01100	KEY	1	4493-
	15-01016	KEY	1	4782-
33	4C-1873A	HANDWHEEL & ROD	1	4493-
34	38-16520	GUIDE	1	4493-5228
	38-16530	GUIDE	1	5378-
36	4X-0500B	NYLON GROMMET	1	4493-
36A	HA-7080A	SNAP RING	1	4493-
37	4X-0500C	NYLON GROMMET	2	4493-
37A	HA-7056A	SNAP RING	2	4493-

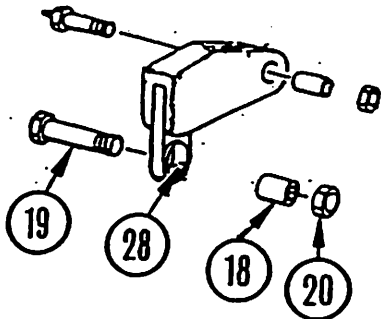
GROUP 55-0060A; 55-0061A; 55-0062A
CONDITIONER GROUPS (cont'd)

IND	PART NO	DESCRIPTION	QTY	SERIAL NO
38	5T-40030	BRACKET	1	4493-
	HA-08981	NUT, HEX LOCK, 5/16-18	1	4493-
	HA-08862	LOCKWASHER, 5/16	2	4493-
	HA-08860	WASHER, FLAT, 5/16	1	4493-
	HA-08009	SCREW, HEX HD, 5/16-18 X 3/4	3	4493-
54	5K-33640	KIT, BEARING & WASHERS	3,2	4493-
	1X-13500	THRUST BEARING	3,2	4493-
	HF-22860	WASHER, SS, 3/4	3,2	4493-
55	1X-0440A	BEARING, BLADE ADJUSTING, HANDWHEEL	1	5008-
<u>55-0062A / CONDITIONER WATER SYSTEM GROUP</u>				
39	5X-70690	WASH WATER DISCHARGE ASSY	1	4493-4513
	KZ-72264	WASH WATER DISCHARGE ASSY, PVC	1	4624-4638
	5X-70690	WASH WATER DISCHARGE ASSY	1	4782-
40	KZ-72260	WASH WATER SUCTION ASSY (INCLUDES #41)	1	4493-6519
	KZ-72270	WASH WATER SUCTION ASSY (INCLUDES #41, AND CHECK VALVE)	1	6523-
	2V-10050	CHECK VALVE	1	6523-
41	RE-5012A	HOSE, 1-5/8 X 3-1/2	1	4493-
	27-2028A	CLAMP, 1-5/8 HOSE	1	4493-
42	5P-33620	WATER SPREADER	1	4493-
	HF-08311	SCREW, SKT FLAT HD, 5/16-18 X 1	17	4493-
	HF-08904	LOCKNUT, 5/16-18	17	4493-
44	5T-10180	BRACKET, WASH WATER DISCHARGE	1	4493-
45	5X-70680	ICE MAKING WATER DISCHARGE ASSY	1	4493-
46	5T-10170	BRACKET, ICE MAKING WATER ASSY	1	4493-
47	2P-37570	PUMP, WASH WATER	1	4493-
	HA-10981	NUT, HEX LOCK, 3/8-16	4	4493-
	HA-10013	SCREW, HEX HD, 3/8-16 X 1-1/4	4	4493-
	2P-33850	IMPELLER, WATER PUMP	1	4493-
	2A-6000H	CLUTCH ASSY, WATER PUMP W/COIL	1	4493-
	8F-37470	COIL, WATER PUMP CLUTCH	1	4493-
	49-04010	COVER, CHAIN GUARD (USED ONLY W/OUT WATER PUMP)	1	4493-
8	2V-79701	VALVE, BALL, 1-1/4	2	4493-
	KZ-79701	KIT, VALVE STEM NUT	1	4493-
49	4E-16490	ROD, WATER VALVE CONTROL	2	4493-
50	4B-31460	KNOB, CONTROL ROD HANDLE	2	4493-
51	5M-33550	SQUEEGEE	1	4493-
52	1M-33560	STRAP, SQUEEGEE HOLDING	1	4493-
	HA-10980	NUT, HEX, 3/8-16	19	4493-
	HA-10011	SCREW, HEX HD, 3/8-16 X 1	19	4493-
53	5R-33600	BAR, WATER SPREADER SUPPORT	1	4493-

GROUP 55-0063A
CONDITIONER LIFT GROUP



SERIAL NUMBER 5199 & UP



GROUP 55-0063A
CONDITIONER LIFT GROUP

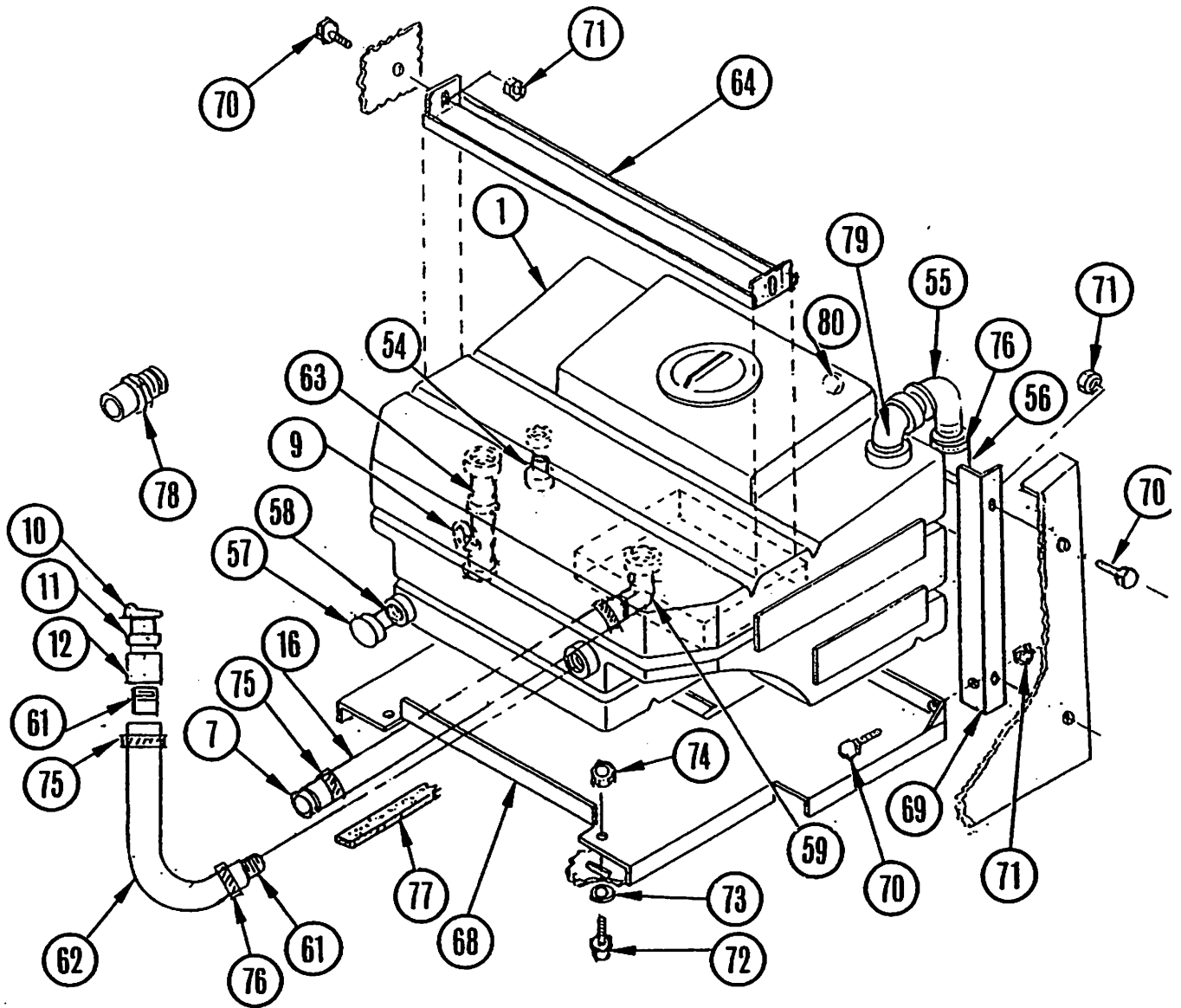
IND	PART NO	DESCRIPTION	QTY	SERIAL NO
	5J-7777A	LIFT BAR ASSEMBLY	1	4493-
1	5J-77770	LIFT BAR	1	4493-
2	38-77770	GUIDE, COND LEAF SPRING	2	4493-
3	HA-10015	SCREW, HEX HD, 3/8-16 X 1-3/4	2	4493-
4	HA-10981	LOCKNUT, HEX, 3/8-16	2	4493-
5	10-39610	BUSHING	2	4493-
6	HD-3062D	SCREW	2	4493-
7	HA-30861	WASHER, FLAT, 1	1	4493-
8	HA-30986	LOCKNUT, 1-8	2	4493-
9	2X-3005A	CYLINDER	1	4493-
10	16-7056A	PIN	1	4493-5008
	16-70560	PIN	1	5199-
11	16-7057A	PIN	1	4493-5008
	16-70570	PIN	1	5199-
12	HA-30861	WASHER, FLAT, 1	1	4493-
13	HA-7064A	E-RING	1	4493-
14	5J-77760	YOKE, LIFT ARM	2	4493-5008
	5J-04020	YOKE, LIFT ARM	2	5199-
	1Z-01580	GREASE FITTING, 1/8 NPT	2	5199-
15	10-71300	BUSHING	2	4493-
16	HD-1861F	SCREW	2	4493-
17	HA-18986	NUT, 5/8-11	2	4493-
18	KZ-71510	BUSHING SET	2	4493-5008
	10-2424A	BUSHING	2	5199-
19	HD-2261N	SCREW	2	4493-5008
	HA-22121	SCREW	2	5199-
20	HA-22986	NUT, 3/4-10	2	4493-
21	1L-67540	SPRING	2	4493-
22	HD-1451F	SET-SCREW, 1/2-13 X 2-1/2	2	4493-
23	HA-14982	NUT, HEX, 1/2-13	2	4493-
25	F2-75080	FITTING	2	4493-
26	PL-0056B	HOSE, LUBRICATION	1	4493-4942,500
	PL-0120B	HOSE, LUBRICATION	1	4943-
27	PL-0092B	HOSE, LUBRICATION	1	4493-4942,500
	PL-0130B	HOSE, LUBRICATION	1	4943-
28	10-4828A	TENSION BUSHING	4, 2	4493-
29	10-3220A	TENSION BUSHING	2	4493-
30	10-3220B	TENSION BUSHING	4	4493-
31	HA-30861	FLAT WASHER	2	4493-

GROUP 55-0063A
CONDITIONER LIFT GROUP (cont'd)

IND	PART NO	DESCRIPTION	QTY	SERIAL NO
31	HA-30861	FLAT WASHER	2	4493-
N/S	PL-0112B	HOSE, LUBRICATION	2	4943 ONLY
	9099	BUSHING & BOLT KIT, LIFT BAR	1	4493-5008
	KZ-09099	BUSHING & BOLT KIT, LIFT BAR (INCLUDES ITEMS 5,6,7,8,12,13,15,16,17,18,19,20)	1	5199-

N/S = NOT SHOWN

GROUP 55-0070A
ICE WATER TANK GROUP

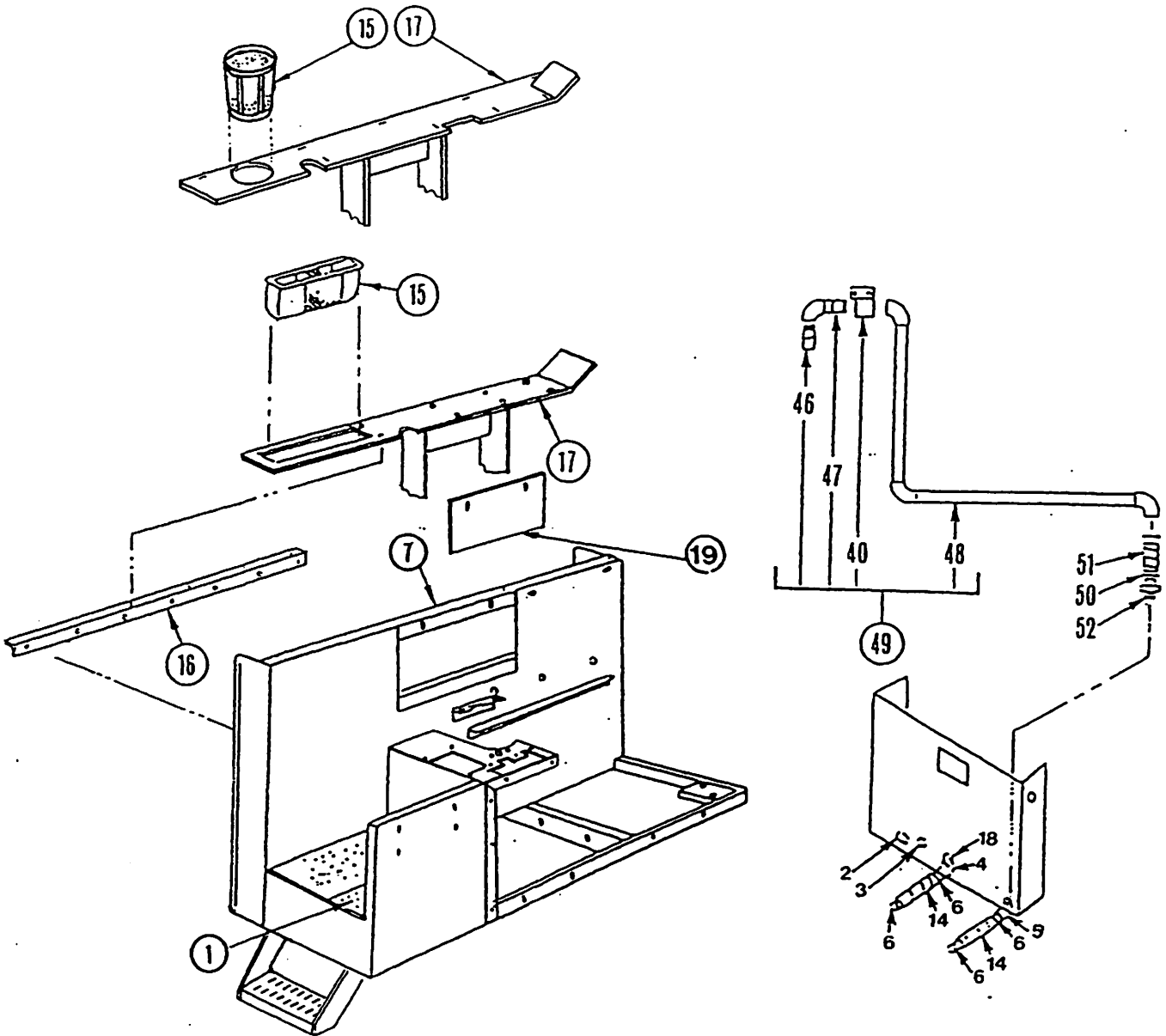


GROUP 55-0070A
ICE WATER TANK GROUP

IND	PART NO	DESCRIPTION	QTY	SERIAL NO
1	7A-0530A	ICE MAKING WATER TANK	1	4493-
	KZ-0703C	KIT, ICE MAKING WATER TANK & TRAY	1	4784-
7	FW-43652	NIPPLE	1	4493-
9	2V-33240	VALVE	1	4493-
10	7D-68400	CAP, WATER FILL PIPE	1	4493-
11	13-68380	SPACER, WATER FILL CAP	1	4493-
12	FF-13410	COUPLING	1	4493-
16	RC-5246A	HOSE, 1-5/8 X62	1	4493-
54	FP-0800A	PLUG	1	4493-
55	FP-3232A	FITTING	1	4493-
56	RC-8140A	HOSE, 2 X 25	1	4493-
57	FP-2400A	CAP	1	4493-6612
	FV-09162	PLUG	1	6613-
58	FP-2424A	CLOSE NIPPLE	1	4493-6612
59	FP-2024A	FITTING	1	4493-4783
	FP-2426A	ELBOW	1	4784-
61	FP-3232B	CONNECTOR	2	4493-
62	RC-8240A	HOSE, 2 X 60	1	4493-
63	FT-46001	NIPPLE	1	4493-
64	7A-05204	CHANNEL	1	4493-
68	7A-0521B	TRAY, WATER TANK	1	4493-4638
	7A-00552	TRAY, WATER TANK	1	4782-
69	7A-05220	SUPPORT	1	4493-
70	HA-08011	SCREW, HEX HD, 5/16-18 X 1	8	4493-
71	HA-08981	NUT, HEX LOCK, 5/16-18	8	4493-
72	HA-14013	SCREW, HEX HD, 1/2-13 X 1-1/4	4	4493-
73	HA-14860	WASHER, FLAT, 1/2	4	4493-
74	HA-14986	NUT, 1/2-13	4	4493-
75	27-2032A	HOSE CLAMP	2	4493-
76	27-2036A	CLAMP	3	4493-
77	2F-00120	SEAL	8	4493-
78	FP-2426B	CONNECTOR	1	4493-
79	FP-32001	FITTING	1	4493-
80	FV-09164	PLUG	1	4784-
N/S	5T-16065	BRACKET, WATER TRAY MTG, NO BOARD BRUSH	1	5007-

N/S = NOT SHOWN

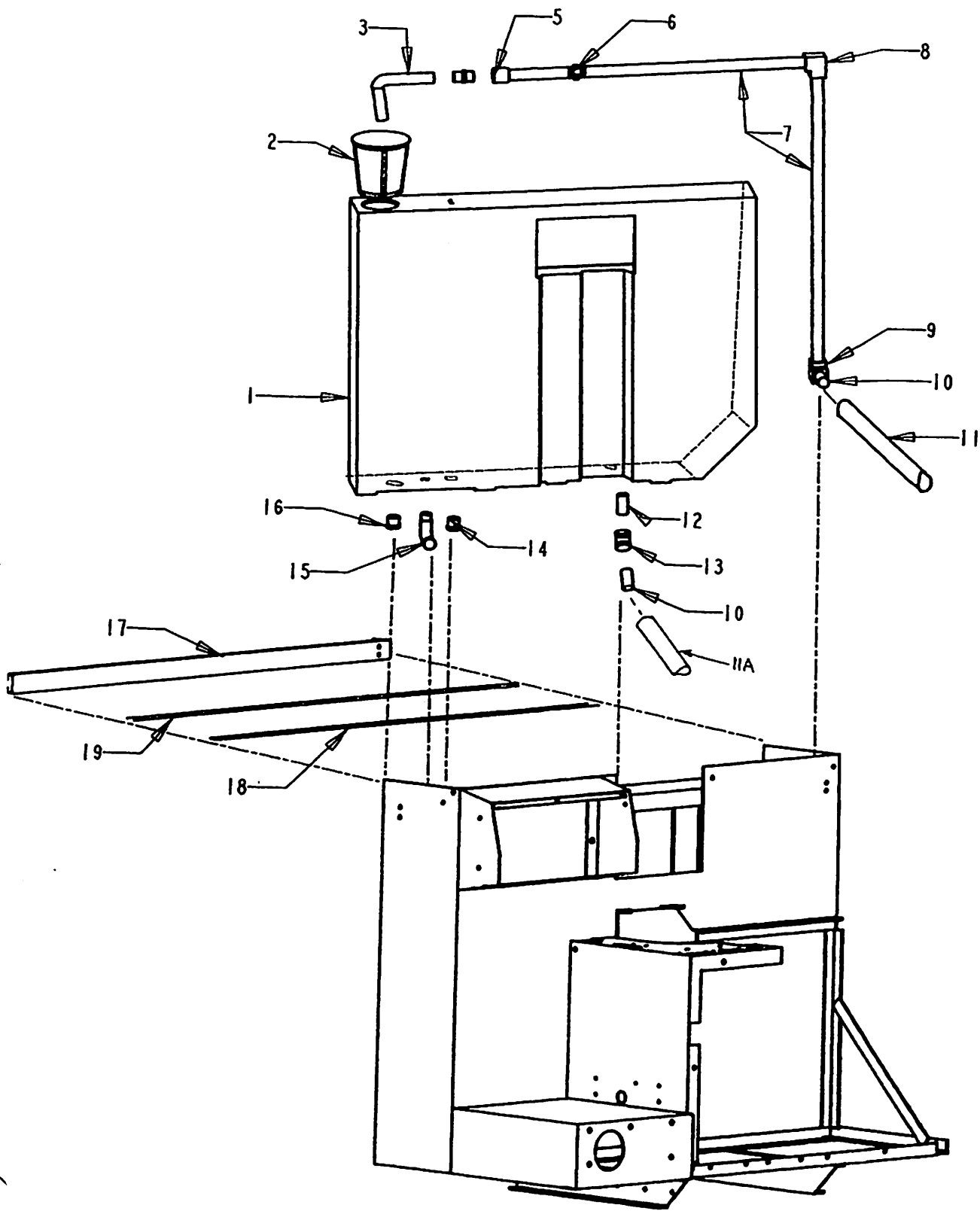
GROUP 55-0071A
WASH WATER TANK W/OUT TRANSFER GROUP
SERIAL NUMBERS 4493-5656



GROUP 55-0071A
WASH WATER TANK W/OUT TRANSFER GROUP

IND	PART NO	DESCRIPTION	QTY	SERIAL NO
1	7F-1549A	PLATE	1	4493-4945,5000
	7F-1549B	PLATE	1	4981-5408
	7F-15497	PLATE	1	5409-5614
	7F-15498	PLATE	1	5651-
	HA-06609	SCREW, SKT FLT HD, 1/4-20 X 3/4	4	5409-
	HF-06510	NUT, HEX LOCK, 1/4-20	4	5409-
2	FF-18410	PLUG	1	4493-5656
3	FF-18360	PLUG	1	4493-5656
4	FF-02310	ELBOW	1	4493-5656
5	FF-04310	ELBOW	1	4493-5656
6	FW-43652	CONNECTOR	2	4493-5656
7	7A-17340	STIFFENER, WASH WATER TANK	1	4493-5656
	7A-05065	STIFFENER, PLASTIC WASH WATER TANK	1	5657-6173*
	7A-05066	STIFFENER, PLASTIC WASH WATER TANK	1	6174-
14	RC-5124A	HOSE, 1-5/8 X 31	2	4493-5656
15	7C-15680	SCREEN, WASH WATER	1	4493-4638
	7C-04870	SCREEN, WASH WATER	1	4782-5656
16	7F-0600C	BRACE, WASH WATER TANK	1	4493-5656
	HA-06009	SCREW, HEX HD, 1/4-20 X 3/4	5	4493-5656
17	7F-06000	COVER, WASH WATER TANK	1	4493-4638
	7F-0600B	COVER, WASH WATER TANK FOR ROUND SCREEN	1	4782-5656
	HA-08009	SCREW, HEX HD, 5/16-18 X 3/4	12	4493-5656
	HA-08860	WASHER, FLAT, 5/16	4	4493-5656
	HA-08862	LOCKWASHER, 5/16	4	4493-5656
	HA-08981	NUT, HEX LOCK, 5/16-18	8	4493-5656
	HA-10011	SCREW, HEX HD, 3/8-16 X 1	4	4493-5656
	HA-10981	NUT, HEX LOCK, 3/8-16	4	4493-5656
	HA-14860	WASHER, FLAT, 1/2	8,2	4493-5656
	HA-14861	WASHER, FLAT, SS, 1/2	12	4841-5656
	HD-06984	NUTSERT, 1/4-20	2	4493-5656
	HD-08984	NUTSERT, 5/16-18	5	4493-5656
	HD-14866	BEVEL WASHER, 1/2	8	4493-5656
	HF-15017	SCREW, SS, HEX HD, 1/2-20 X 2-1/4	4	4493-4796
	HF-15015	SCREW, SS, HEX HD, 1/2-20 X 1-1/2	6	4841-5656
18	FF-0131R	NIPPLE	1	4493-5656
19	7F-05202	AUGER OPENING FILLER	1	4782-5656
	7F-05203	AUGER OPENING FILLER, PLASTIC WW TANK	1	5657-*
	2F-00145	TRIM SEAL	1	4782-
20	7F-05026	ACCESS COVER	1	6152-

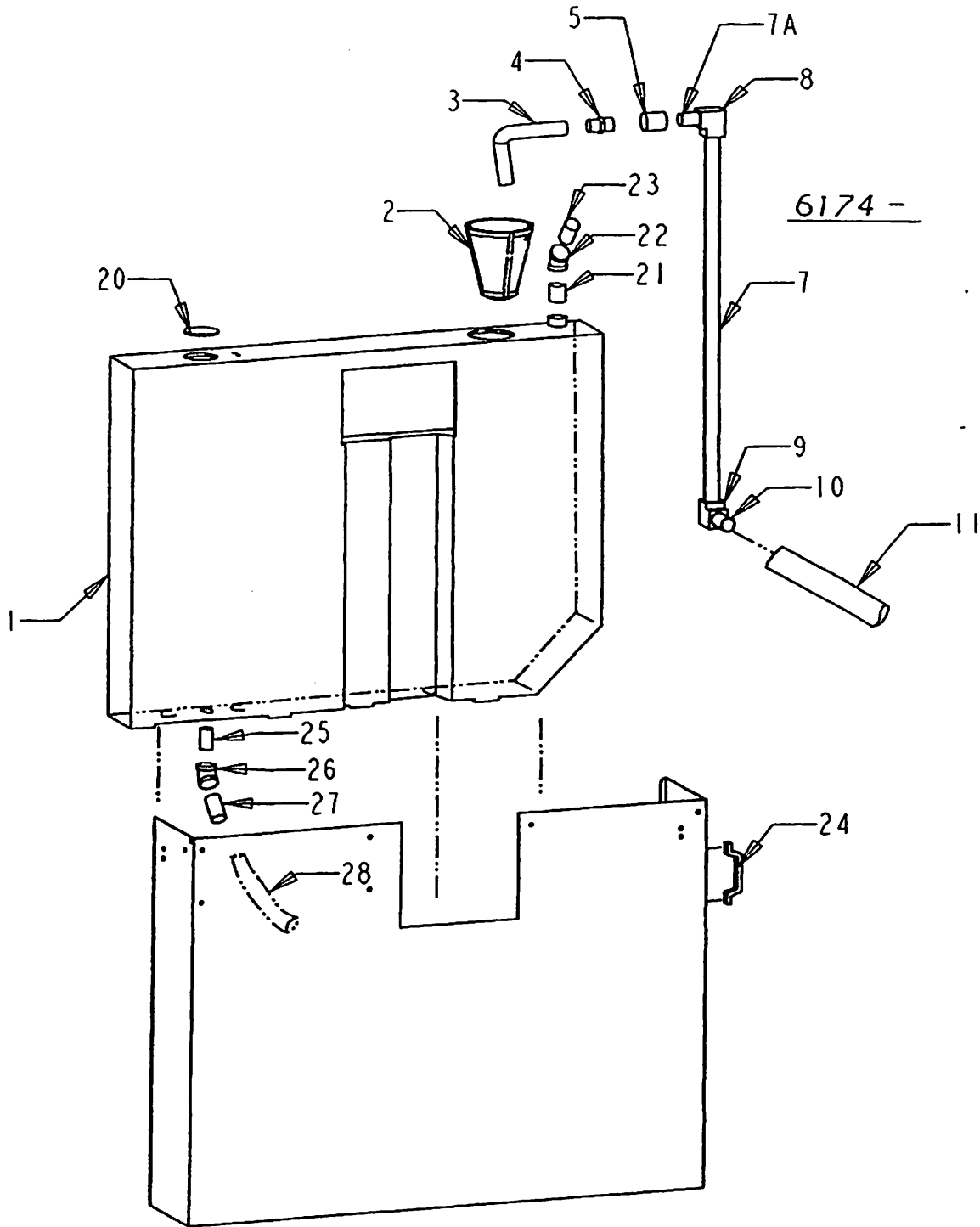
GROUP 55-0071A
WASH WATER TANK W/OUT TRANSFER GROUP (cont'd)
PLASTIC WASH WATER TANK
 SERIAL NUMBERS 5657 & UP*



GROUP 55-0071A
WASH WATER TANK W/OUT TRANSFER GROUP (cont'd)

IND	PART NO	DESCRIPTION	QTY	SERIAL NO
40	5T-18090	BRACKET, WASH WATER DIVERTER	1	4493-5656
	HA-06006	SCREW, HEX HD, 1/4-20 X1/2	2	4493-5656
	HA-06860	WASHER, FLAT, 1/4	5	4493-5656
	HA-06862	LOCKWASHER, 1/4	2	4493-5656
46	FV-64090	NIPPLE	1	4493-5656
47	23-07003	DIVERTER ELBOW	1	4493-5656
48	23-07002	PIPE, WASH WATER RETURN	1	4493-4855
	23-07010	PIPE, WASH WATER RETURN	1	4916-5656
49	23-07000	MANIFOLD ASSY, WASH WATER	1	4493-4855
	23-07007	MANIFOLD ASSY, WASH WATER	1	4916-5656
50	27-2032A	CLAMP	6,4	4493-5656
	27-2025A	CLAMP	2	4916-5656
51	PX-6008A	HOSE, 2 X 2	1	4493-4855
	RC-2026A	HOSE, 1-1/4X3	1	4916-5656
52	FV-32060	ADAPTER	1	4493-4855
	FV-05055	ADAPTER	1	4916-5656
		<u>PLASTIC WASH WATER TANK</u>		
1	7A-05350	PLASTIC WASH WATER TANK	1	5657-6173*
	7A-05355	PLASTIC WASH WATER TANK	1	6174-
2	7C-04885	SCREEN BASKET	1	5657-*
	23-07030	PIPE, WASH WATER RETURN LINE (INCLUDES ALL • ITEMS)	1	5627-6173*
	23-07035	PIPE, WASH WATER RETURN LINE (INCLUDES ALL • ITEMS)	1	6174-
3	RC-22010	PREFORMED HOSE •	1	5657-6642*
	4T-0916C	CLEAR HOSE, 1-1/4 X 6	1	6865-
	FP-2020C	90 ELBOW	1	6865-
	4T-0914C	CLEAR HOSE, 1-1/4 X 4	1	6865-
	49-04880	SPLASH GUARD	1	5657-*
4	FP-2020B	ADAPTER •	1	5657-*
5	FV-33560	COUPLING •	1	5657-*
6	5T-18095	BRACKET •	1	5657-6173*
	HA-08009	SCREW, HX HD, 5/16-18 X 3/4 •	2	5657-6173*
	HA-08862	WASHER, FLAT, 5/16•	2	5657-6173*
	HA-08860	LOCKWASHER, 5/16•	2	5657-6173*
7	FV-64384	PIPE •	1,2	5657-*
7A	FV-64027	NIPPLE•	1	6174-
8	FV-05261	90 ELBOW •	1	5657-*
9	FV-02562	90 ELBOW •	1	5657-*
10	FV-64028	NIPPLE • (ONLY 1 PC FOR 23-07030)	2	5657-*
11	RC-5104A	HOSE	1	5657-6642*
	RC-5108A	HOSE	1	6865-

GROUP 55-0071A
WASH WATER TANK W/OUT TRANSFER GROUP (cont'd)
PLASTIC WASH WATER TANK
SERIAL NUMBERS 5657 & UP*

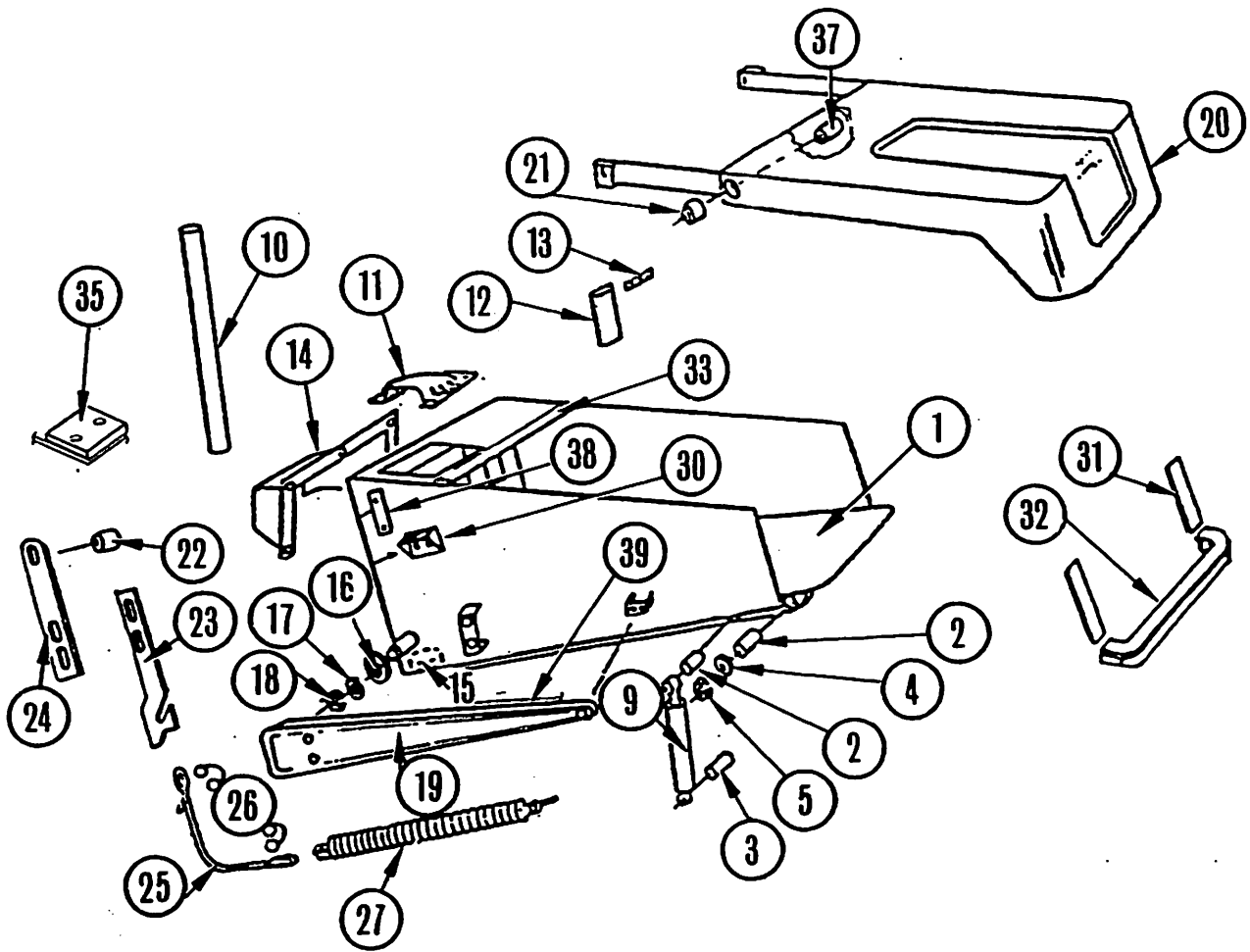


GROUP 55-0071A
WASH WATER TANK W/OUT TRANSFER GROUP (cont'd)

IND	PART NO	DESCRIPTION	QTY	SERIAL NO
11A	RC-5138A	HOSE	1	5657-6642*
	RC-5142A	HOSE	1	6865-
	27-2028A	CLAMP	4	5657-
12	FV-2605A	NIPPLE	1	5657-*
13	FV-05060	45 ELBOW	1	5657-*
14	FV-09162	PLUG, 1-1/2	1	5657-*
15	FP-2426A	90 ELBOW	1	5657-6307*
16	FV-09164	PLUG, 2	1	5657-*
17	7F-05051	STIFFENER	1	5657-*
	HA-10509	SCREW, BUTTON HD, 3/8-16 X 3/4	4	5657-*
	HA-10982	NUT, THIN, 3/8-16	4	5657-*
	HA-10860	WASHER, FLAT, 3/8	4	5657-*
	HA-10862	LOCKWASHER, 3/8	4	5657-*
18	7F-05070	BRACKET, SNOW TANK SEAL	1	5627-*
	HA-06009	SCREW, HX HD, 1/4-20 X 3/4	7	5657-*
	HA-06860	WASHER, FLAR, 1/4	7	5657-*
	HA-06862	FLATWASHER, 1/4	7	5657-*
19	2F-00140	SEAL	5	5657-*
20	7A-05357	COVER	1	6174-
21	FV-05082	NIPPLE	1	6174-
22	FV-05082	45 ELBOW	1	6174-
23	FV-66028	NIPPLE	1	6174-
24	4A-40510	HANDLE	1	6174-
	HA-06106	SCREW, SOCKET HD CAP, 1/4-20 X 1/2	2	6204-
	HA-06981	LOCKNUT, 1/4-20	2	6204-
	HA-06862	FLATWASHER, 1/4	2	6204-
25	FV-2700A	NIPPLE	1	6308-
26	FV-05572	45 ELBOW	1	6308-
27	FP-2426B	NIPPLE	1	6308-
28	4T-0312A	CLEAR HOSE	2	6308-
N/S	FV-2637C	PIPE (INSIDE PLASTIC TANK)	1	5657-*
N/S	5T-05320	BRACKET (INSIDE PLASTIC TANK)	1	5657-*
N/S	2F-19745	SEAL	2	5657-

MACHINE WITH SERIAL NUMBER 5651 IS INCLUDED IN * LOOP.

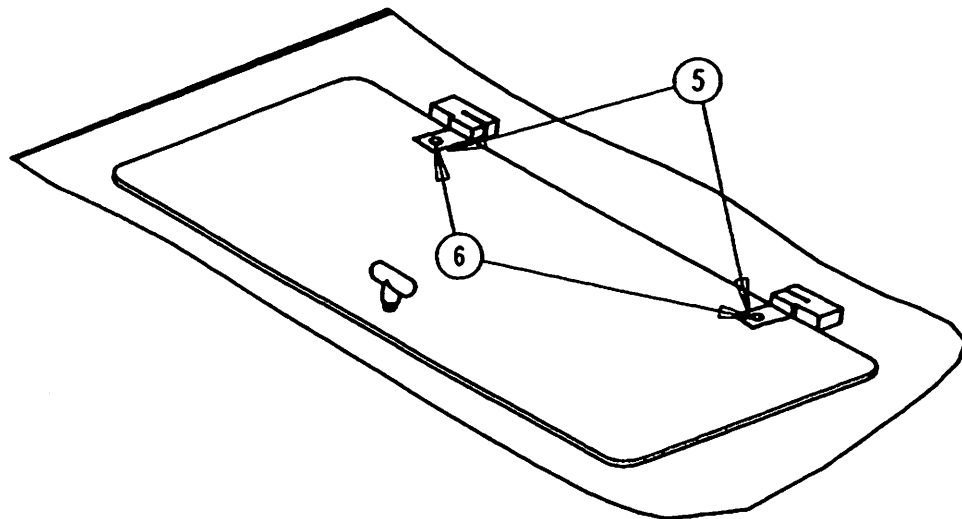
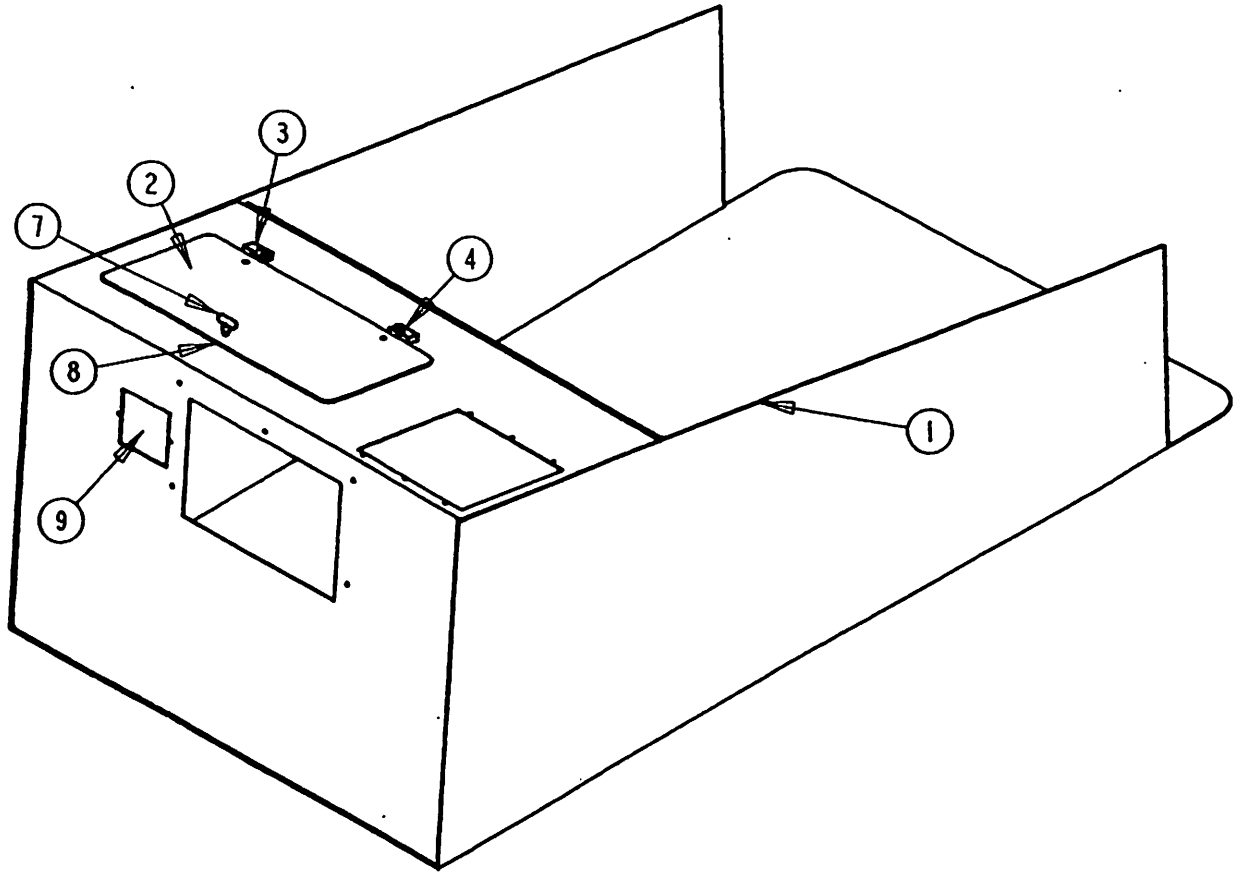
GROUP 55-0080A
SNOW TANK & CYLINDERS GROUP
SERIAL NUMBERS 4493-5656



GROUP 55-0080A
SNOW TANK & CYLINDERS GROUP

IND	PART NO	DESCRIPTION	QTY	SERIAL NO
1	7A-15300	SNOW TANK	1	4493-5656
2	16-70580	PIN	4	4493-
3	16-70570	PIN	2	4493-6311
	5T-70575	CAPTURED PIN	2	6312-
	HA-08009	SCREW, HEX HD, 5/16-18 X ¾	2	6312-
	HA-08980	NUT, HEX, 5/16X18	2	6312-
	HA-08860	WASHER, FLAT, 5/8	2	6312-
	1Z-01580	GREASE FITTING, 1/8 NPT	2	6312-
5	HA-7064A	E-RING	10,12	4493-
9	2X-2514A	CYLINDER	2	4493-
	2X-2514K	SEAL KIT, CYLINDER	1	4493-4638
	2X-2514L	SEAL KIT, CYLINDER	1	4782-
10	49-38595	SAFETY STAND	1	4493-
11	7D-73420	VENT, SNOW TANK	1	4493-
	HA-06011	SCREW, HEX HD, 1/4-20 X 1	6	4493-
	HA-06981	LOCKNUT, HEX, 1/4-20	9	4493-
12	49-42000	FLAP	1	4493-5656
13	5T-10230	BRACKET	1	4493-5656
	HA-06009	SCREW, HEX HD, 1/4-20 X 3/4	3	4493-5656
14	49-18380	SNOW SHIELD	1	4493-5656
	49-18370	SNOW SHIELD, METAL (ONLY W/OUT PLASTIC WW TANK)	1	5657-*
15	FF-18410	PLUG	1	4493-5579
	FL-69080	ELBOW	2	4493-
	F2-69090	FITTING	2	4493-
16	41-42000	PULLEY	2	4493-
17	HA-14860	WASHER, FLAT, 1/2	8	4493-
18	HA-7028A	E-RING	2	4493-
19	49-17680	GUARD, SNOW TANK LID SPRING	2	4493-
	HD-08984	NUT INSERT, 5/16-18	6	4493-
	HA-08511	SCREW, TRUSS HD, 5/16-18 X 1	6	4493-
	2H-0520A	PLASTIC TRIM	12.4Ft	4493-
20	7B-05860	LID, SNOW TANK	1	4493-
21	10-2126A	BUSHING	2	4493-
	HA-18021	SCREW, HEX HD, 5/8-11 X 3-1/4	2	4493-4638
	HD-1861M	SCREW, HEX HD, 5/8-11 X 3-1/4, W/ZERK	2	4782-
	HA-18860	WASHER, FLAT, 5/8	4	4493-
	HA-18986	NUT, 5/8-11	2	4493-
22	10-19070	BUSHING	2	4493-
	HA-14016	SCREW, HEX HEAD, 1/2-13 X 2	2	4493-
	HA-14986	NUT, HEX 1/2-13	2	4493-
23	4F-15870	LID HOOK	2	4493-

GROUP 55-0080A
SNOW TANK & CYLINDERS GROUP (cont'd)
SERIAL NUMBER 5657 & UP*



GROUP 55-0080A
SNOW TANK & CYLINDERS GROUP (cont'd)

IND	PART NO	DESCRIPTION	QTY	SERIAL NO
24	4F-15880	LINK	4	4493-
	HA-10014	SCREW, HEX HD, 3/8-16 X 1-1/2	4	4493-
	HA-10981	NUT, HEX LOCK, 3/8-16	4	4493-
25	33-40330	CABLE	2	4493-
26	27-03210	CLIP	4	4493-
27	1L-38730	SPRING	2	4493-
	HA-10980	NUT, HEX, 3/8-16	2	4493-
	HC-10215	EYEBOLT & NUT	2	4493-
30	5T-10010	BRACKET	2	4493-
	HA-14213	SCREW, CARRIAGE, 1/2-13 X 1-1/4	4	4493-
	HA-14862	LOCKWASHER, 1/2	4	4493-
	HA-14980	NUT, HEX, 1/2-13	4	4493-
31	2F-00110	SEAL	2	4493-
32	2F-0010A	SEAL	1	4493-
33	2F-0013C	KIT, REAR SEAL, SNOW TANK LID	1	4493-
35	8P-12680	PAD & WASHER ASSY	2	4493-
	HA-10011	SCREW, 3/8-16 X 1	4	4493-
	HA-10981	LOCKNUT, 3/8-16	2	4493-
37	13-3728A	SPACER	2	4493-
38	7B-0520A	WEAR STRIP	2	4493-
39	2H-0520A	EDGE LINER	2	4493-
<u>SNOW TANK (SERIAL NUMBERS 5657-UP*)</u>				
1	7A-15500	TANK WELDMENT, PRIMED	1	5657-*
2	7A-15510	SNOW TANK WINDOW	1	5677-*
N/S	2F-00160	SNOW TANK SEAL	1	5657-*
3	47-15500	HINGE, SNOW TANK WINDOW, LH	1	5657-*
4	47-15505	HINGE, SNOW TANK WINDOW, RH	1	5657-*
	HA-04704	SCREW, FILLISTER HD, 10-32 X 3/8	4	5657-*
	HA-04706	SCREW, FILLISTER HD, 10-32 X 1/2	4	5657-*
	HA-03862	LOCKWASHER, #10	4	5657-*
	HA-03867	FLAT WASHER, #10	4	5657-*
5	7A-15515	BRACKET, HINGE MOUNTING	2	5657-*
6	47-15510	HINGE, SNOW TANK WINDOW GLASS	2	5657-*
7	4B-15500	KNOB	2	5657-*
	HD-08020	STUD, 5/16-18 X 2-1/4	1	5657-*
	HA-08980	NUT, HEX, 5/16-18	1	5657-*
8	47-15515	LATCH, SNOW TANK WINDOW	1	5657-*

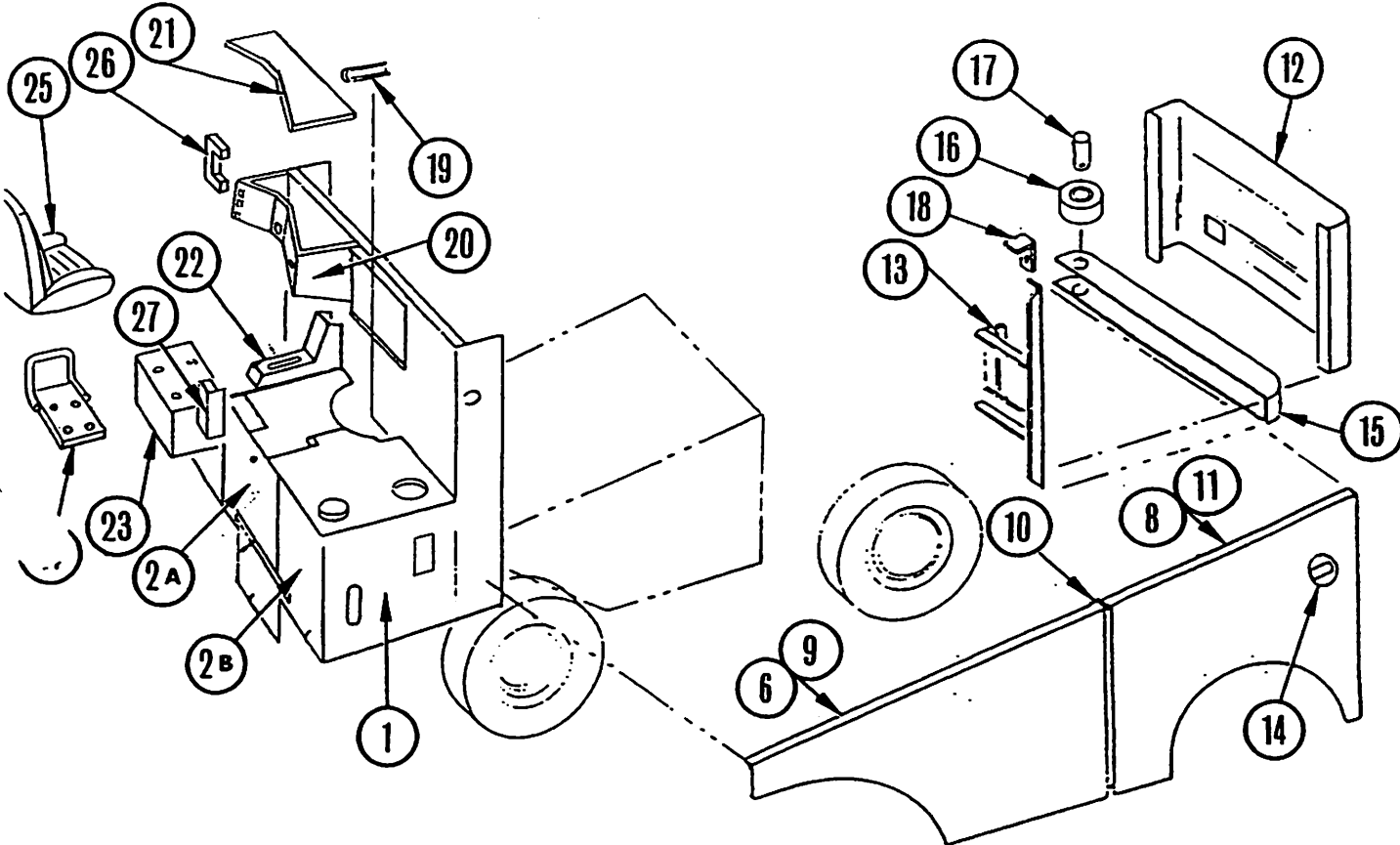
MACHINE WITH SERIAL NUMBER 5651 IS INCLUDED IN * LOOP

GROUP 55-0080A
SNOW TANK & CYLINDERS GROUP (cont'd)

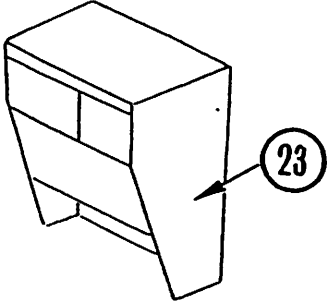
IND	PART NO	DESCRIPTION	QTY	SERIAL NO
9	7A-15525	COVER PLATE	1	5657-*
	HA-04706	SCREW, FILLISTER HD, 10-32 X 1/2	2	5657-*
	HA-04981	LOCKNUT, 10-32	2	5657-*
	HA-03867	FLAT WASHER, #10	2	5657-*
N/S	7A-15520	STRAP	2	5657-*
N/S	KZ-0522A	SNOW TANK LID ARM BRACE KIT (INCLUDES ALL ♦ ITEMS)	1	6152-
	7B-0521A	WEAR PAD, PLASTIC ♦	2	6152-
	HA-06609	SCREW, FLAT HD, 1/4-20 X 3/4 ♦	4	6152-
	HA-06981	NUT, HEX LOCK, 1/4-20 ♦	4	6152-
	7B-0522A	BRACE ROD, RH ♦	1	6152-
	7B-0522B	BRACE ROD, LH ♦	1	6152-
	HA-13980	NUT, HEX HD, 7/16-20 ♦	4	6152-
	HA-13981	NUT, HEX LOCK, 7/16-20 ♦	4	6152-

MACHINE WITH SERIAL NUMBER 5651 IS INCLUDED IN * LOOP

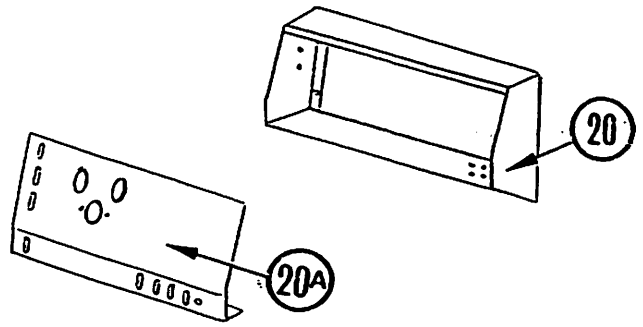
GROUP 55-0081A
BODY PANELS, BUMPER GROUP



SERIAL NUMBER 5199-UP



SERIAL NUMBER 5378-UP



GROUP 55-0081A
BODY PANELS, BUMPER GROUP

IND	PART NO	DESCRIPTION	QTY	SERIAL NO
1	46-15373	PANEL	1	4493-4638
	46-15374	PANEL	1	4782-4931
	46-15377	PANEL	1	4932-6318
	46-15378	PANEL	1	6583-
	HA-08009	SCREW, HEX HD, 5/16-18 X 3/4	10	4493-
	HA-08862	WASHER, LOCK, 5/16	7	4493-
	HA-08900	SPEED NUT, "J" TYPE	5	4493-
	HA-08981	NUT, LOCK, HEX, 5/16-18	3	4493-
2A	46-15391	REAR PANEL, LEFT	1	4493-4916
	46-15392	REAR PANEL, LEFT	1	4945-5228
	46-15393	REAR PANEL, LEFT	1	5378-6894
	46-15415	REAR PANEL, LEFT	1	7089-
	HA-08009	SCREW, HEX HD, 5/16-18 X 3/4	4	4493-
	HA-08862	WASHER, LOCK, 5/16	5	4493-
	HA-08860	WASHER, FLAT, 5/16	2	4493-
	HA-08900	SPEED NUT "J" TYPE	2	4493-
	HD-08007	STUD, 5/16-18 X 1-3/4	1	4493-
	HA-08990	WING NUT, 5/16	1	4493-
2B	46-15400	REAR PANEL, RIGHT	1	4493-
	HA-08009	SCREW, HEX HD, 5/16-18 X 3/4	5	4493-
	HA-08862	WASHER, LOCK, 5/16	6	4493-
	HA-08860	WASHER, FLAT, 5/16	2	4493-
	HA-08900	SPEED NUT "J" TYPE	7	4493-
	HA-08990	NUT, WING, 5/16	1	4493-
	HD-08007	STUD, 5/16-18 X 1-3/4	1	4493-
3	49-42460	FLAP, REAR PANEL	1	4493-
4	1M-42100	STRAP, SNOW FLAP	1	4493-
6	46-15530	PANEL, LEFT SIDE	1	4493-4931
	46-15535	PANEL, LEFT SIDE	1	4932-
	HA-08009	SCREW, HEX HD, 5/16-18 X 3/4	4	4493-
	HA-08862	WASHER, FLAT, 5/16	2	4493-
	HA-08981	LOCKNUT, HEX, 5/16-18	4	4493-
	8T-12540	BUMPER, DOOR	1	4493-
	HA-04711	SCREW, 10-32 X 1	1	4493-
	HD-05862	WASHER, FLAT	1	4493-
	HA-04981	LOCKNUT, 10-32	1	4493-
8	46-25541	PANEL, RIGHT HAND DOOR	1	4493-
	HA-04706	SCREW, FILLISTER HD, 10-32 x 1/2	8	4493-
	HA-04981	LOCKNUT, HEX, 10-32	8	4493-
	1L-0520A	SPRING, DOOR	2	4493-

GROUP 55-0081A
BODY PANELS, BUMPER GROUP (cont'd)

IND	PART NO	DESCRIPTION	QTY	SERIAL NO
9	46-15540	PANEL, RIGHT SIDE	1	4493-
	HA-08009	SCREW, HEX HD, 5/16-18 X 3/4	4	4493-
	HA-08860	WASHER, FLAT, 5/16	4	4493-
	HA-08981	LOCKNUT, 5/16-18	4	4493-
	8T-12540	BUMPER, DOOR	1	4493-
	HA-04711	SCREW, 10-32 X 1	1	4493-
	HD-05862	WASHER, FLAT	1	4493-
	HA-04981	LOCKNUT, 10-32	1	4493-
10	47-17720	HINGE	1	4493-
11	46-25521	PANEL, LH FRONT DOOR	1	4493-
	47-17870	LATCH, ACCESS DOOR	1	4493-4638
	HA-04706	SCREW, 10-32 X 1/2	8	4493-
	HA-04981	LOCKNUT, HEX, 10-32	8	4493-
12	46-17550	PANEL, FRONT	1	4493-
	HA-10009	SCREW, HEX HD, 3/8-16 X 3/4	8	4493-
	HA-10860	WASHER, FLAT, 3/8	8	4493-
	HA-10981	LOCKNUT, 3/8-16	8	4493-
13	46-15320	FRONT PANEL MOUNTING BRACKET	2	4493-
	HA-08011	SCREW, HEX HEAD, 5/16-18 X 1	4	4493-
	HA-08860	WASHER, FLAT, 5/16	4	4493-
	HA-08980	NUT, HEX, 5/16-18	4	4493-
14	47-17840	LATCH, LEFT SIDE DOOR	1	4493-
	47-17850	LATCH, RIGHT SIDE DOOR	1	4493-
15	8T-15800	BUMPER	1	4493-
	HA-14213	SCREW, CARRIAGE, 1/2-13 X 1-1/4	4	4493-
	HA-14980	NUT, HEX, 1/2-13	4	4493-
	HA-14862	WASHER, LOCK, 1/2	4	4493-
16	8R-16700	GUIDE WHEEL ASSY	1	4493-
17	15-15850	PIN, GUIDE WHEEL	1	4493-
	HA-55716	COTTER PIN, 1/4 X 2	1	4493-
18	46-12570	BRACKET, DOOR SUPPORT	2	4493-
19	2H-06001	MAGNETIC STRIP (L & R DOORS)	2	4493-
20	46-05110	INSTRUMENT PANEL	1	4493-4855
	46-0511A	INSTRUMENT PANEL	1	4916-4945,5000
	46-05120	INSTRUMENT PANEL, HINGED FACE	1	4981-5228
	46-05510	INSTRUMENT PANEL, HINGED FACE	1	5378-5656
	46-05540	INSTRUMENT PANEL, HINGED FACE	1	5657-*
20A	46-05520	FACE, INSTRUMENT PANEL	1	5378-
	HA-72902	SPEED NUT, 5/16-18	6	5378-
	HF-08109	SCREW, BUTTON HEAD, 5/16-18 X 3/4	6	5378-

GROUP 55-0081A
BODY PANELS, BUMPER GROUP (cont'd)

IND	PART NO	DESCRIPTION	QTY	SERIAL NO
21	46-77120	INSTRUMENT PANEL COVER	1	4493-4855
	46-7712A	INSTRUMENT PANEL COVER	1	4916-5228
	HA-06506	SCREW, TRUSS HD, 1/4-20 X 1/2	6	4493-4855
22	46-18910	CONSOLE	1	4493-5008
	46-18920	CONSOLE	1	5199-5228
	46-18930	CONSOLE	1	5378-
	HA-06108	SCREW, SOCKET HD, 1/4-20 X 3/4	2	5199-
23	7H-15230	SUPPORT, OPERATOR SEAT	1	4493-5008
	7H-05220	SUPPORT, OPERATOR SEAT	1	5199-
	47-17860	LATCH ASSY, TOOL BOX	1	4493-5008
24	7H-15240	HAND RAIL	1	4493-
	HA-06009	SCREW, HEX HD, 1/4-20 X 3/4	2	4493-
	HA-06981	LOCKNUT, HEX, 1/4-20	2	4493-
	HA-08981	LOCKNUT, HEX, 5/16-18	12	4493-
25	7H-72900	SEAT ASSY, OPERATOR	1	4493-
	7H-79400	BOTTOM SEAT CUSHION	1	4493-
	7H-79410	BACK SEAT CUSHION	1	4493-
26	4A-40510	HAND GRIP	1	4493-
27	46-39770	COVER, PARKING BRAKE LEVER	1	4493-5008
	46-39771	COVER, PARKING BRAKE LEVER	1	5199-
N/S	2F-00553	WEAR STRIP, DOOR	2	4493-

MACHINE WITH SERIAL NUMBER 5651 IS INCLUDED IN * LOOP

GROUP 55-0082A
INSTRUCTION PLATES & NAMEPLATES GROUP

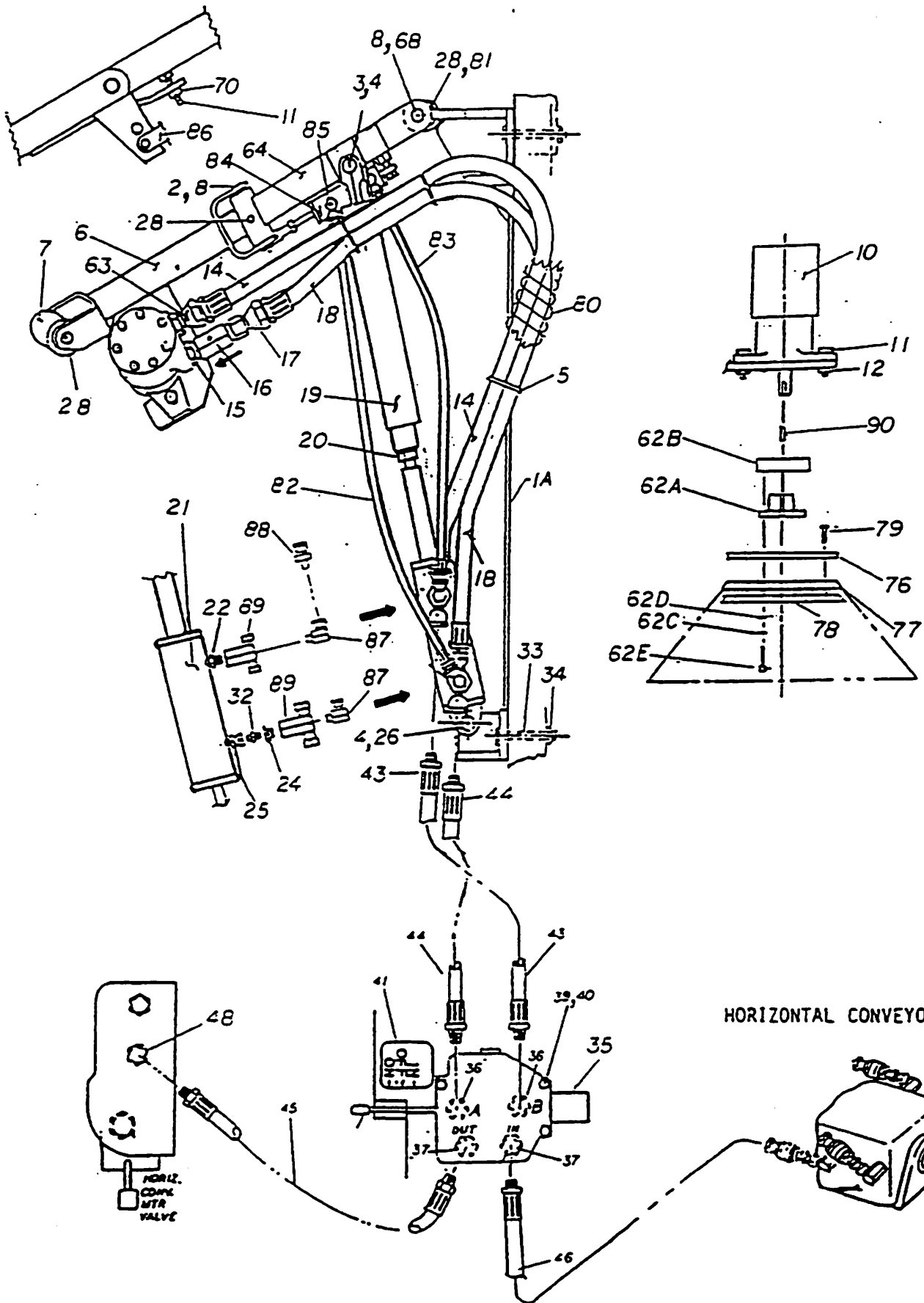
IND	PART NO	DESCRIPTION	QTY	SERIAL NO
N/S	81-16040	ZAMBONI® NAMEPLATE	1	4493-
N/S	81-18430	BOARD BRUSH OPERATION	A/R	4493-4931
	81-18440	BOARD BRUSH SERIAL NUMBER	1	4932-
N/S	81-18790	SERIAL NUMBER & PATENT	1	4493-
N/S	81-18800	WATER PUMP & SAFETY INSTRUCTIONS	1	4493-5228
N/S	81-18840	WATER VALVE & BLADE ANGLE	1	4493-5228
N/S	81-41370	HYDRAULIC OIL	1	4493-
N/S	81-75500	DANGER...HANDS & FEET...	3	4493-
N/S	81-75520	BLADE ANGLE	1	4493-5228
	83-75520	BLADE ANGLE	1	5378-
N/S	81-75570	ICE MAKING WATER	1	4493-4939
	81-75575	ICE MAKING WATER	1	4940-5228
	83-75570	ICE MAKING WATER	1	5378-
N/S	81-75580	WASH WATER	1	4493-5228
N/S	83-75580	WASH WATER	1	5378-
N/S	81-77050	NO RIDING ON CONDITIONER	1	4493-
N/S	81-77070	HYDRAULIC CONTROLS	1	4493-5228
N/S	83-77070	NAMEPLATE, CONTROL VALVE, LH	1	5378-
N/S	83-77075	NAMEPLATE, CONTROL VALVE, RH	1	5378-
N/S	81-77080	USE SAFETY STAND	1	4493-
N/S	81-75560	EMERGENCY VALVE INSTRUCTIONS	1	4493-
N/S	81-2000A	DANGER...DO NOT OPERATE...	1	4493-
N/S	81-2000B	DANGER...USE SAFETY STAND...	1	4493-
N/S	81-2000C	DANGER...MOVING PARTS...	5	4493-
N/S	81-2000D	DANGER...NO RIDERS...	2	4493-
N/S	81-2000E	DANGER...ROTATING PARTS...	2	4493-
N/S	81-2000F	DANGER...MOVING PARTS...	1	4493-
N/S	81-2000P	DANGER...NO RIDERS...	1	6292-
N/S	81-7000A	SIGN DANGER NO SMOKING CHARGING	1	4493-
N/S	81-7000B	SIGN DANGER BATTERY CHARGING AREA	1	4493-
N/S	81-7000C	SHUT OFF CHARGER DISCONNECT	1	4493-
N/S	81-7000D	DANGER HIGH VOLT KEEP OUT	2	4493-
N/S	81-7000E	DANGER AUTHORIZED PERSONNEL ONLY	2	4493-
N/S	81-7000F	DANGER NO SERVICEABLE PARTS WITHIN	1	4493-
N/S	81-79552	TIRE PRESSURE	4	4493-
N/S	81-79553	DANGER CHARGER	1	4493-
N/S	81-0552A	FUSE PANEL	1	4493-5228
N/S	83-0552A	FUSE PANEL	1	5378-

GROUP 55-0082A
INSTRUCTION PLATES & NAMEPLATES GROUP (cont'd)

IND	PART NO	DESCRIPTION	QTY	SERIAL NO
N/S	81-79100	SWITCH SYMBOLS	1	5378-
N/S	81-0400J	CONTROL RODS	1	5378-
N/S	81-7000F	DANGER...NO SERVICEABLE PARTS WITHIN...	1	4493-
N/S	81-79651	DECAL, B+, EV100/EV200	2	4493-
N/S	89-79650	APPLIQUE, DASH BOARD	1	4493-4945,5000
	89-79552	APPLIQUE, DASH BOARD	1	4981-5228
N/S	81-79652	DECAL, B-, EV100/EV200	2	4493-
N/S	81-79653	DECAL, A1, EV100/EV200	3	4493-
N/S	81-79654	DECAL, A2, EV200	2	4493-
N/S	81-79655	DECAL, S1, EV200	2	4493-
N/S	81-79656	DECAL, S2, EV100/EV200	3	4493-
N/S	81-79657	DECAL, B+, PDB	3	4493-
N/S	81-79658	DECAL, B-, PDB	3	4493-

N/S = NOT SHOWN

GROUP 55-0100A
OPTIONS, BOARD BRUSH GROUP
 SERIAL NUMBER 4493-4638

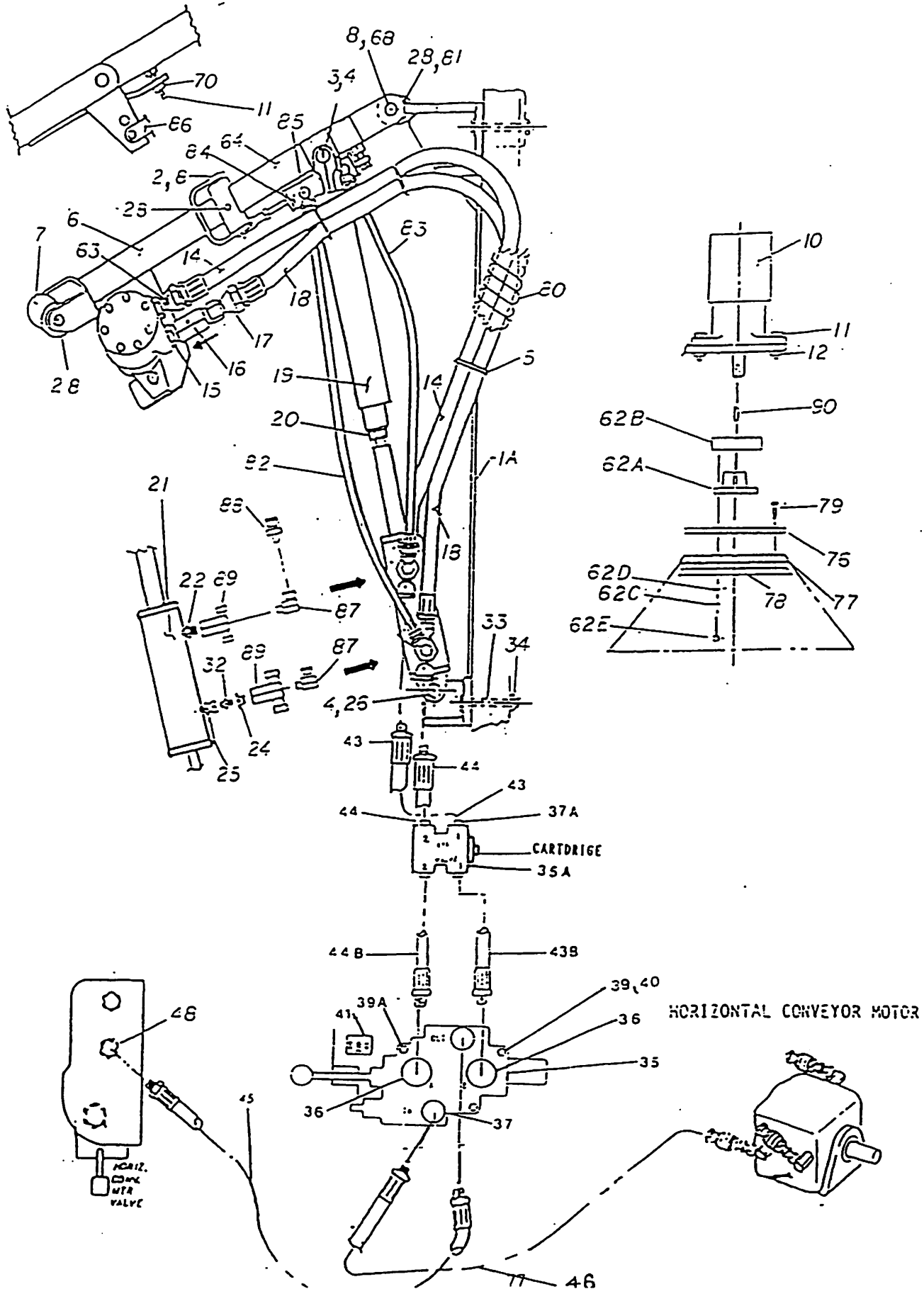


GROUP 55-0100A
OPTIONS, BOARD BRUSH GROUP

IND	PART NO	DESCRIPTION	QTY	SERIAL NO
1A	5V-0605A	BRACKET	1	4493-4931
2	15-62130	HINGE PIN	2	4493-4931
3	HA-65444	CLEVIS PIN, 1/2 X 1-3/8	1	4493-4931
4	HA-52712	COTTER PIN, 1/8 X 1-3/8	2	4493-4931
5	27-40500	CLAMP	3	4493-4931
6	5V-0605D	ARM, MOTOR SUPPORT	1	4493-4931
7	8R-0500A	ROLLER, BRUSH GUIDE	1	4493-4931
8	15-81116	ROLL PIN, 5/32 X 1-1/2	1,3	4493-4931
10	2M-62050	HYDRAULIC MOTOR	1	4493-4931
11	HA-14014	SCREW, HEX HD, 1/2-13 X 1-1/2	2	4493-4931
12	HA-14981	LOCKNUT, HEX, 1/2-13	2	4493-4931
14	PM-4152B	HOSE, 1/2 X 38	1	4493-4931
15	F1-64580	ADAPTER	1	4493-4931
16	2V-44610	CHECK VALVE	1	4493-4931
17	F2-65150	ADAPTER	1	4493-4931
18	PM-4164C	HOSE, 1/2 X 41	1	4493-4931
19	1W-62210	DAMPENER	1	4493-4931
20	HA-19982	NUT, HEX THIN PATTERN, 5/8-18	1	4493-4931
21	2X-2004A	HYDRAULIC CYLINDER	1	4493-4931
22	FL-62030	NIPPLE	1	4493-4931
24	FD-15010	REDUCING BUSHING	1	4493-4931
25	F2-9303E	RESTRICTOR	1	4493-4931
26	HA-66484	CLEVIS PIN, 5/8 X 1-3/4	1	4493-4931
28	1Z-01620	GREASE FITTING, 1/4-28 STRAIGHT	1,2	4493-4931
32	F2-62010	ADAPTER	1	4493-4931
33	HA-13021	SCREW, HEX HD, 7/16-20 X 3-1/4	4	4493-4931
34	HA-13981	LOCKNUT, HEX, 7/16-20	4	4493-4931
35	2V-6204A	VALVE & HANDLE, O-RING PORTS	1	4493-4637
	2V-6204D	VALVE & HANDLE, O-RING PORTS	1	4638-4931
35A	2V-62039	VALVE, PO CHECK	1	4638-4931
36	F1-64360	ADAPTER	2	4493-4931
37	F1-64390	ADAPTER	2	4493-4931
37A	F1-64330	STRAIGHT ADAPTER, 08MP, 06FS	4	4638-4931
39	HA-08019	SCREW, HEX HD, 5/16-18 X 2-3/4	3,4	4493-4931
39A	HA-08006	SCREW, HEX HD, 5/16-18 X 2-1/2	1	4638-4931
40	HA-08981	LOCKNUT, HEX, 5/16-18	3	4493-4931
41	81-18430	PLATE, BOARD BRUSH VALVE OPERATION	1	4493-4931
43	PM-4400B	HOSE, 1/2 X 100	1	4493-4637
	PM-4337B	HOSE, 1/2 X 82	1	4638-4931

GROUP 55-0100A OPTIONS, BOARD BRUSH GROUP (cont'd)

SERIAL NUMBER 4782 - 4931



GROUP 55-0100A
OPTIONS, BOARD BRUSH GROUP (cont'd)

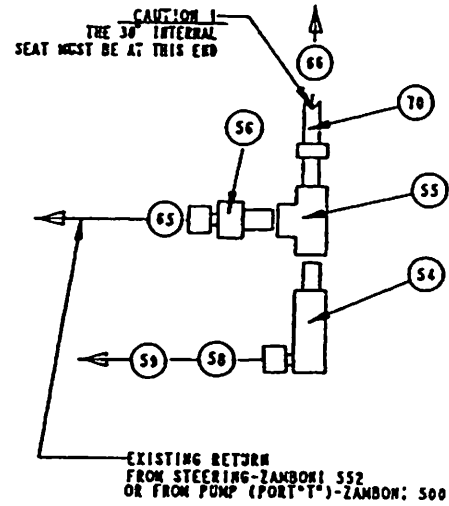
IND	PART NO	DESCRIPTION	QTY	SERIAL NO
43B	PM-4025B	HOSE, 1/2 X 9	1	4638-4931
44	PM-4376B	HOSE, 1/2 X 94	1	4493-4637
	PM-4304B	HOSE, 1/2 X 76	1	4638-4931
44B	PM-4010B	HOSE, 1/2 X 7	1	4638-4931
45	PM-4104B	HOSE, 1/2 X 26	1	4493-4931
46	PM-4248B	HOSE, 1/2 X 62	1	4493-4931
48	F1-64340	ADAPTER	1	4493-4931
62	KZ-09500	KIT, BRUSH ADAPTER (INCLUDES 62A THRU 62E)	1	4493-4931
62A	43-73380	BUSHING, QD	1	4493-4931
62B	5V-0500B	BRUSH ADAPTER PLATE	1	4493-4931
62C	HA-03862	LOCKWASHER, #10	3	4493-4931
62D	HA-03867	WASHER, #10	3	4493-4931
62E	HA-03313	SCREW, SOCKET HEAD CAP, 10-24 X 1-1/4	3	4493-4931
63	F1-64360	ADAPTER	1	4493-4931
64	5V-0605P	ARM, UPPER	1	4493-4931
65	HA-08023	SCREW, HEX HD, 5/16-18 X 3-3/4	1	4493-4931
66	HA-08860	FLATWASHER, 5/16	2	4493-4931
67	1L-2002A	SPRING	1	4493-4931
68	5V-06017	PIVOT PIN	1	4493-4931
69	HE-1401B	BRONZE BOLT, HEX HEAD, 1/2-13 X 2	1	4493-4931
70	HA-14982	HEX NUT, THIN PATTERN, 1/2-13	1	4493-4931
76	5V-62024	PLATE, BRUSH CLAMPING, UPPER	1	4493-4931
77	5V-62020	BRUSH	1	4493-4931
78	5V-62022	RING, BRUSH CLAMPING, LOWER	1	4493-4931
79	HA-08011	SCREW, HEX HEAD, 5/16-18 X 1	3	4493-4931
80	49-0011A	HOSE GUARD COIL	1	4493-4931
81	10-2416W	TENSION BUSHING, MOUNTING ARM	2	4493-4931
82	PM-1124B	HOSE, 1/4 X 31	1	4493-4931
83	PM-1088D	HOSE, 1/4 X 22	1	4493-4931
84	2X-8756A	HYDRAULIC CYLINDER	1	4493-4931
85	F2-69010	90° ELBOW	2	4493-4931
86	36-0600A	CLEVIS ASSEMBLY WITH PINS	1	4493-4931
87	F2-69040	90° ELBOW	2	4493-4931
88	F2-9315F	RESTRICTOR	1	4493-4931
89	F2-8127A	TEE PORT	2	4493-4931
90	15-70808	WOODRUFF KEY, BRUSH MOTOR SHAFT	1	4493-4931

GROUP 55-0100A OPTIONS, BOARD BRUSH GROUP (cont'd)

SERIAL NUMBER 4932-6307

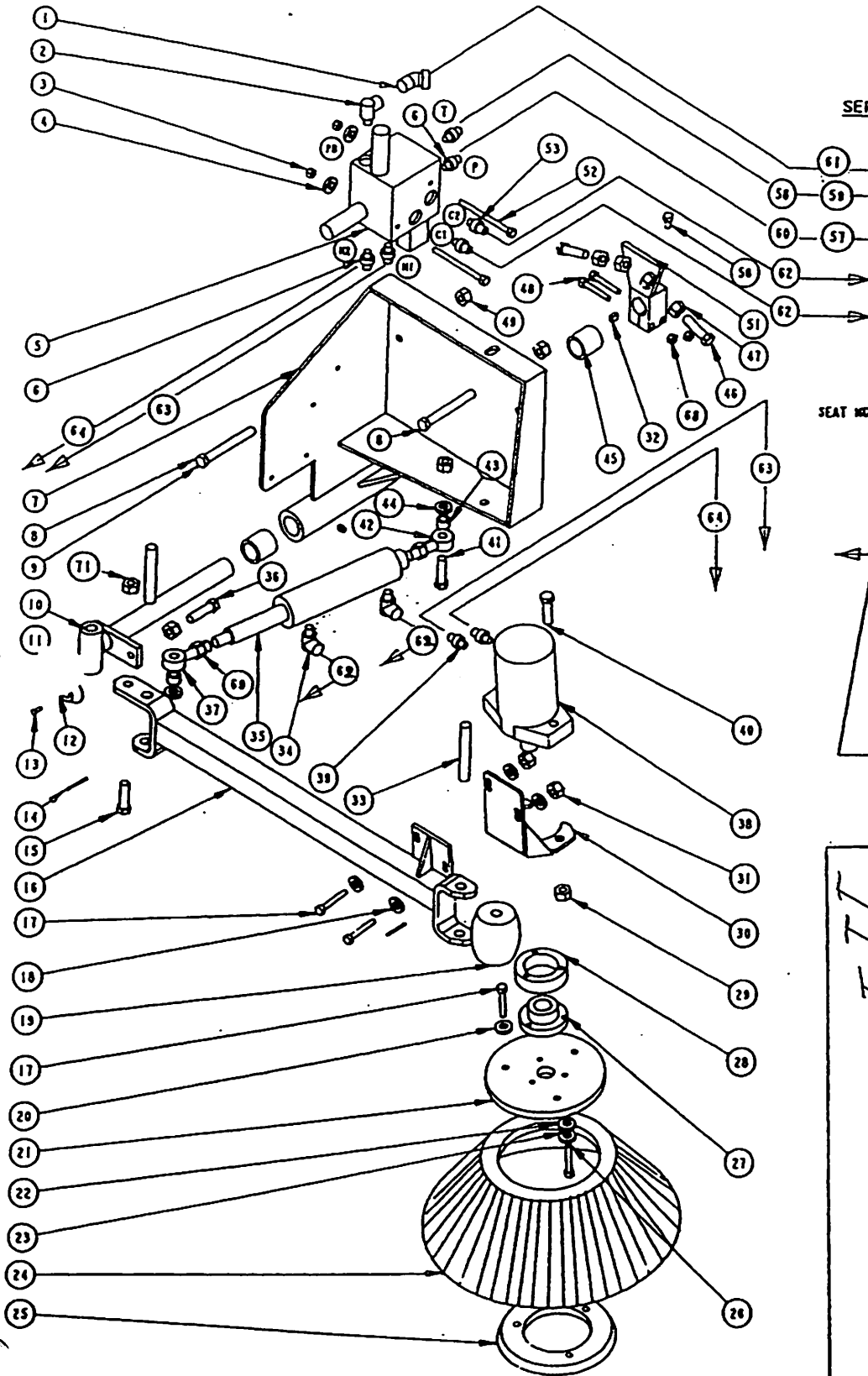
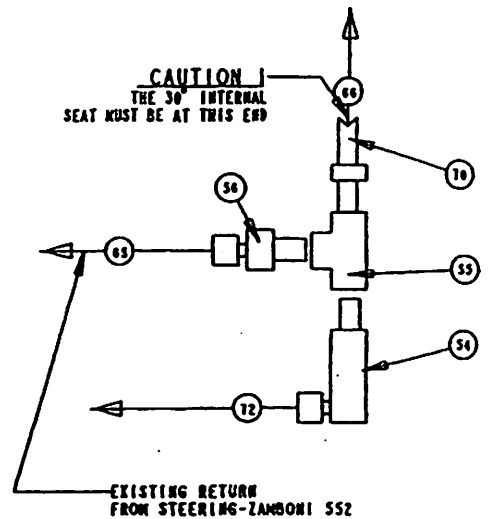
SERIAL NUMBER 4932-5205

- 61 67 → TO THE ORBITROL (STEERING PUMP)
- 58 58 67 → RETURN LINE TO HYDRAULIC TANK
- 60 57 67 → PRESSURE FROM POWER STEERING



SERIAL NUMBER 5206 & UP

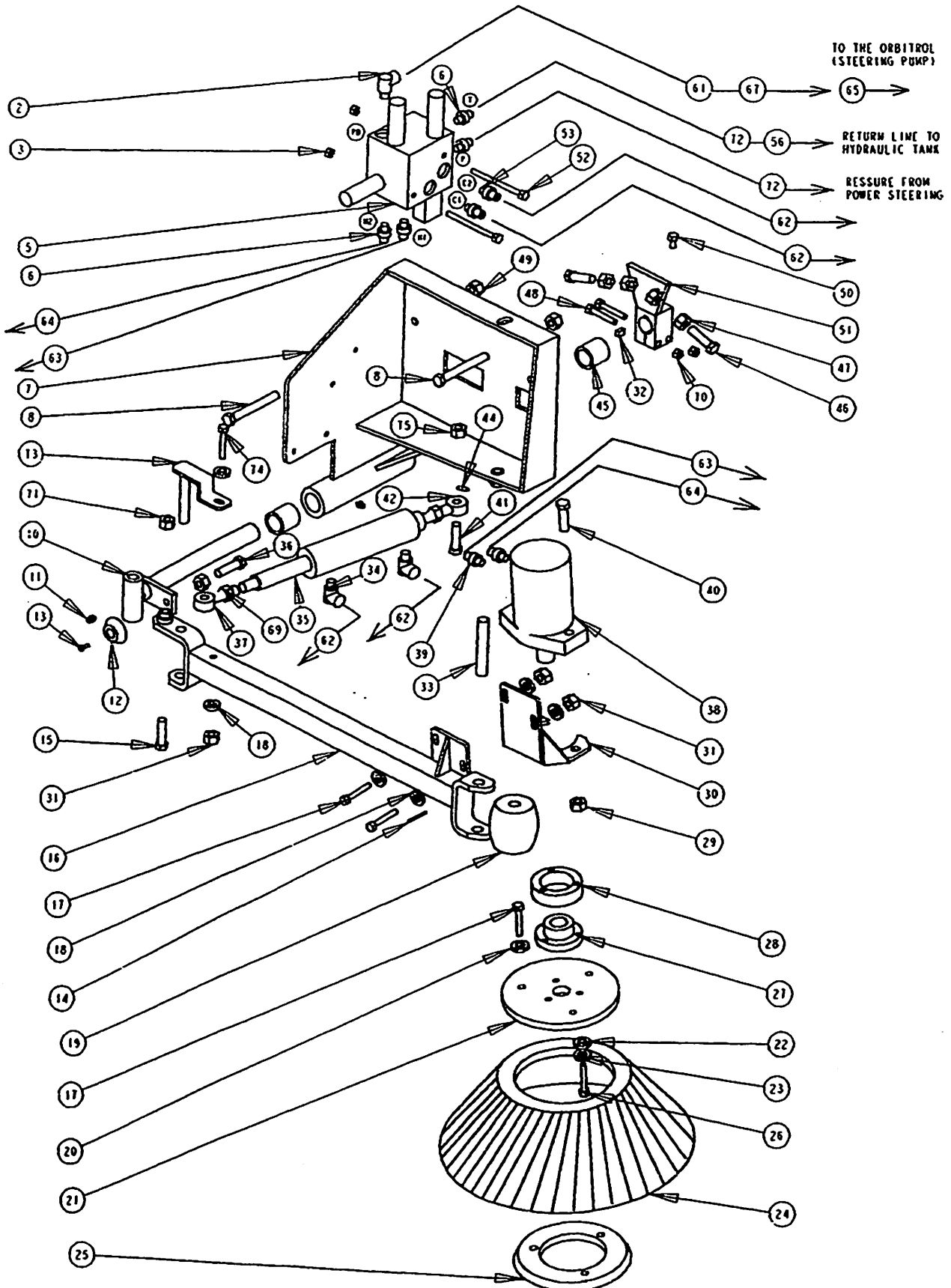
- 61 67 → TO THE ORBITROL (STEERING PUMP)
- 72 → RETURN LINE TO HYDRAULIC TANK
- 72 → PRESSURE FROM POWER STEERING



GROUP 55-0100A
OPTIONS, BOARD BRUSH GROUP (cont'd)

IND	PART NO	DESCRIPTION	QTY	SERIAL NO
1	F2-75070	45° ELBOW	1	4932-5412
2	F1-69030	90° ELBOW	1	4932-
3	HA-06981	LOCKNUT, HX, 1/4-20	2	4932-5412
	HA-08981	LOCKNUT, HX, 5/16-18	2	5579-
4	HA-06863	LOCKWASHER, INT TOOTH, 1/4	2	4932-4935
5	2V-9035A	CONTROL VALVE MANIFOLD BLOCK	1	4932-
5A	2V-9035B	CHECK VALVE 35 PSI, MANIFOLD BLOCK	1	4932-
5B	2V-9035C	CHECK VALVE, 5 PSI, MANIFOLD BLOCK	1	4932-
5C	2V-9035D	CHECK VALVE, 300 PSI, MANIFOLD BLOCK	1	4932-
5D	2V-9035E	SOLENOID VALVE, MANIFOLD BLOCK	1	4932-
	2V-9029C	COIL, SOLENOID VALVE, MANIFOLD BLOCK	1	4932-
5E	2V-9035F	RELIEF VALVE, 800 PSI, MANIFOLD BLOCK	1	4932-
5F	2V-9035H	PRESSURE REDUCING VALVE, MANIFOLD BLOCK	1	4932-
5G	2V-9035G	RELIEF VALVE, 1500 PSI, MANIFOLD BLOCK	1	4932-
5H	2V-9035J	REMOVABLE ORIFICE, MANIFOLD BLOCK	1	4932-
5J	2V-9035K	REMOVABLE ORIFICE, MANIFOLD BLOCK	1	4932-
6	F1-62090	ADAPTER	4	4932-
7	4F-55250	MOUNTING PAN	1	4932-
8	HA-13020	SCREW, HEX HD, 7/16-20 X 3	2	4932-
9	HA-13021	SCREW, HEX HD, 7/16-20 X 3-1/4	2	4932-
10	4F-55106	SHAFT, PIVOT ARM	1	4932-
11	1Z-01620	GREASE FITTING, 1/4-28	2	4932-
12	8T-12530	BUMPER	1	4932-
13	HA-04706	SCREW, FILLISTER HD, 10-32 X 1/2	1	4932-
14	15-81116	ROLL PIN	1,2	4932-
15	HA-14017	SCREW, HEX HD, 1/2-13 X 2-1/4	1	4932-
16	4F-55005	WELDMENT, BB ARM	1	4932-
17	HA-08011	SCREW, HX HD, 5/16-18 X 1	5	4932-
18	HA-08860	FLATWASHER, 5/16	4	4932-
19	8R-0500A	ROLLER	1	4932-
20	HA-08862	LOCKWASHER, 5/16	3	4932-
21	5V-62024	PLATE	1	4932-
22	HA-03867	WASHER, #10	3	4932-
23	HA-03862	LOCKWASHER, #10	3	4932-
24	5V-62020	BRUSH	1	4932-
25	5V-62022	BRUSH RING, LOWER	1	4932-
26	HA-06012	SCREW, SKT HD, 1/4-20 X 1-3/8	3	4932-
27	43-73380	BUSHING	1	4932-
28	5V-0500B	ADAPTER	1	4932-

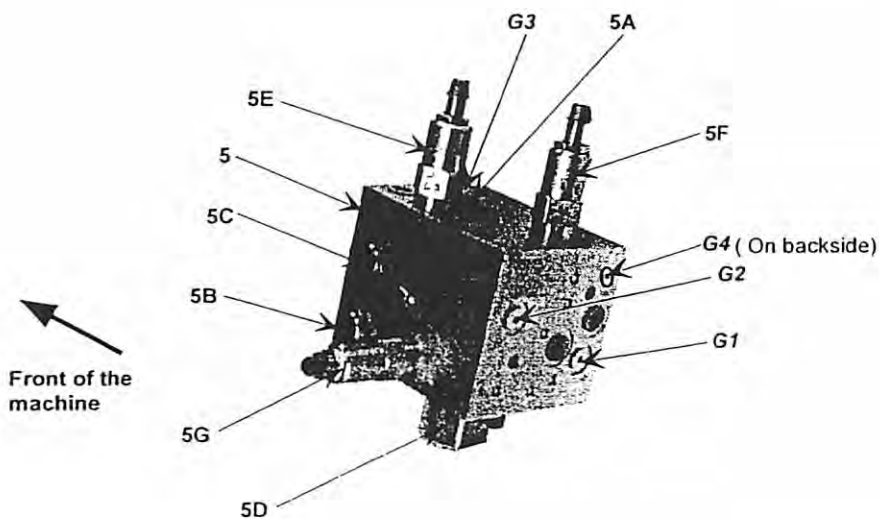
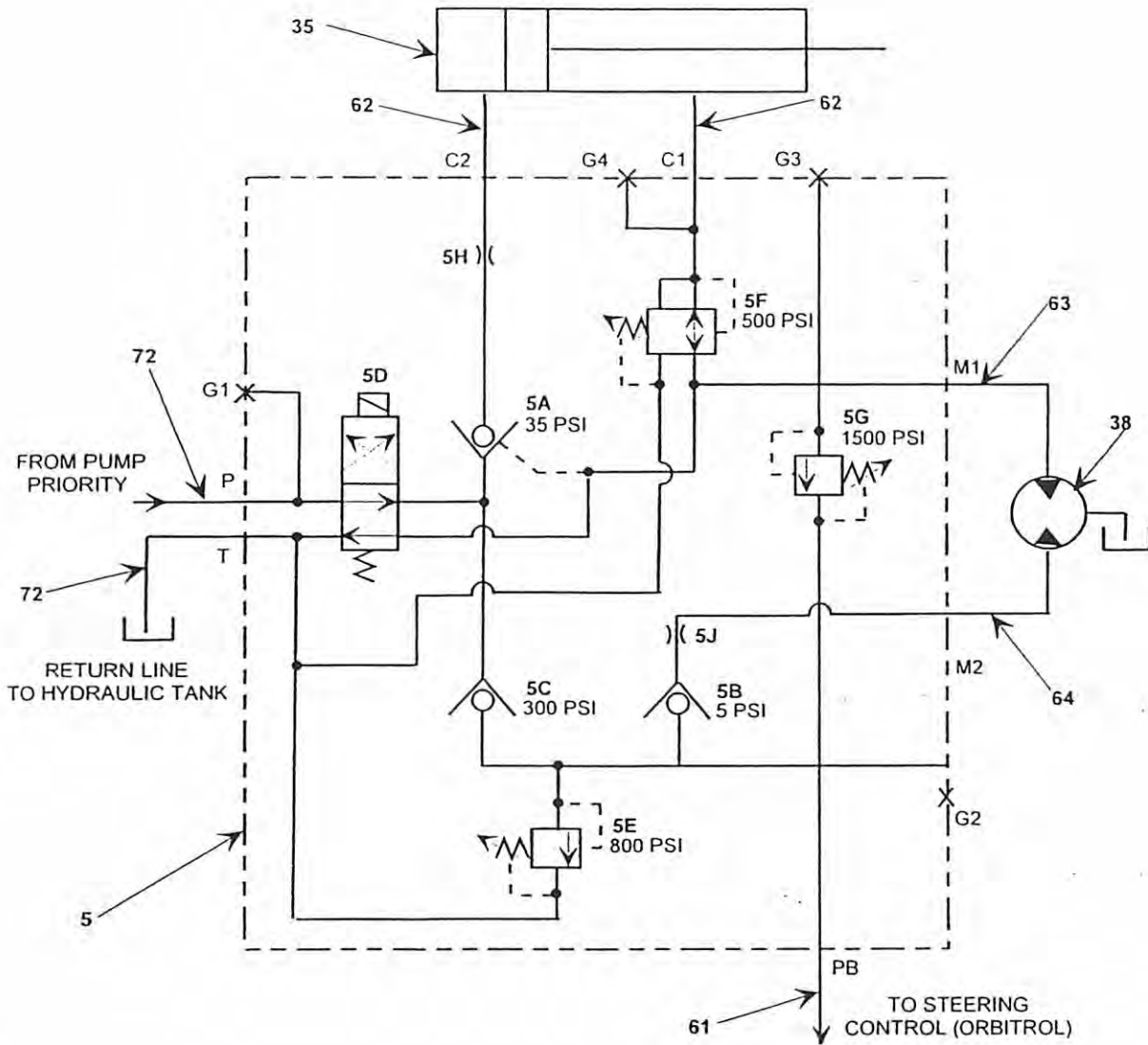
GROUP 55-0100A
OPTIONS, BOARD BRUSH GROUP (cont'd)
 SERIAL NUMBER 6308-



GROUP 55-0100A
OPTIONS, BOARD BRUSH GROUP (cont'd)

IND	PART NO	DESCRIPTION	QTY	SERIAL NO
29	HA-12981	LOCKNUT, HX, 7/16-14	2	4932-
30	4F-55045	MOTOR MTG BRACKET	1	4932-
31	HA-08981	LOCKNUT, 5/16-18	2	4932-
32	15-02108	KEY, 1/4SQ X 1-1/4	1	4932-
33	15-62130	PIN, HINGE	2	4932-
34	F2-69010	90° ELBOW	2	4932-
35	2X-87600	HYDRAULIC CYLINDER	1	4932-
36	HA-14008	SCREW, HEX HD, 1/2-13 X 1-1/4 W/10-32 THD	1	4932-5006
	HA-14017	SCREW, HEX HD, 1/2-13 X 2-1/4	1	5007-
		◆ <u>NOTE:</u> Machines between serial numbers 4932-5005 require 1 piece of HA-14017 and HA-15018.		
37	4J-04060	ROD END	1	4932-
38	2M-62060	HYDRAULIC MOTOR	1	4932-
39	F1-62180	ADAPTER	2	4932-
40	HA-12013	SCREW, HEX HD, 7/16-14 X 1-1/4	2	4932-
41	HA-14016	SCREW, HEX HD, 1/2-13 X 2	1	4932-5005
	HA-15018	SCREW, HEX HD, 1/2-20 X 2-1/2	1	5006-
42	4J-04050	ROD END	1	4932-
43	10-19070	BUSHING	2	4932-5005
	10-19070	BUSHING	4	5006 ONLY
44	HA-14861	FLATWASHER, 1/2	2	4932-
45	10-3624H	BUSHING	2	4932-
46	HA-14014	SCREW, HEX HD, 1/2-13 X 1-1/2	2	4932-
47	HA-14982	NUT, THIN, 1/2-13	3	4932-
48	HA-10017	SCREW, HEX HD, 3/8-16 X 2 -1/4	2	4932-
49	HA-13981	LOCKNUT, HX, 7/16-20	4	4932-
50	HA-06009	SCREW, HEX HD, 1/4-20 X 3/4	1	4932-
51	4F-55143	STOP PLATE	1	4932-
52	HA-06024	SCREW, HEX HD, 1/4-20 X 4	2	4932-5412
	HA-08027	SCREW, HEX HD, 5-16-18 X 5-1/2	2	5579-
53	F1-62070	ADAPTER	2	4932-5603
	F1-64330	ADAPTER	1	5604-
54	F2-69080	90° ELBOW	1	4932-5603
55	FL-81550	TEE	1	4932-5603
56	F2-64080	ADAPTER	1	4932-5603
	F1-64330	ADPATER	1	5604-
57	PM-3300C	HOSE, 3/8 X 75	1	4932-5205
58	PM-3164C	HOSE, 3/8 X 41	1	4932-5205
59	PM-3312C	HOSE, 3/8 X 78	1	4932-5205
60	PM-3184C	HOSE, 3/8 X 46	1	4932-5205

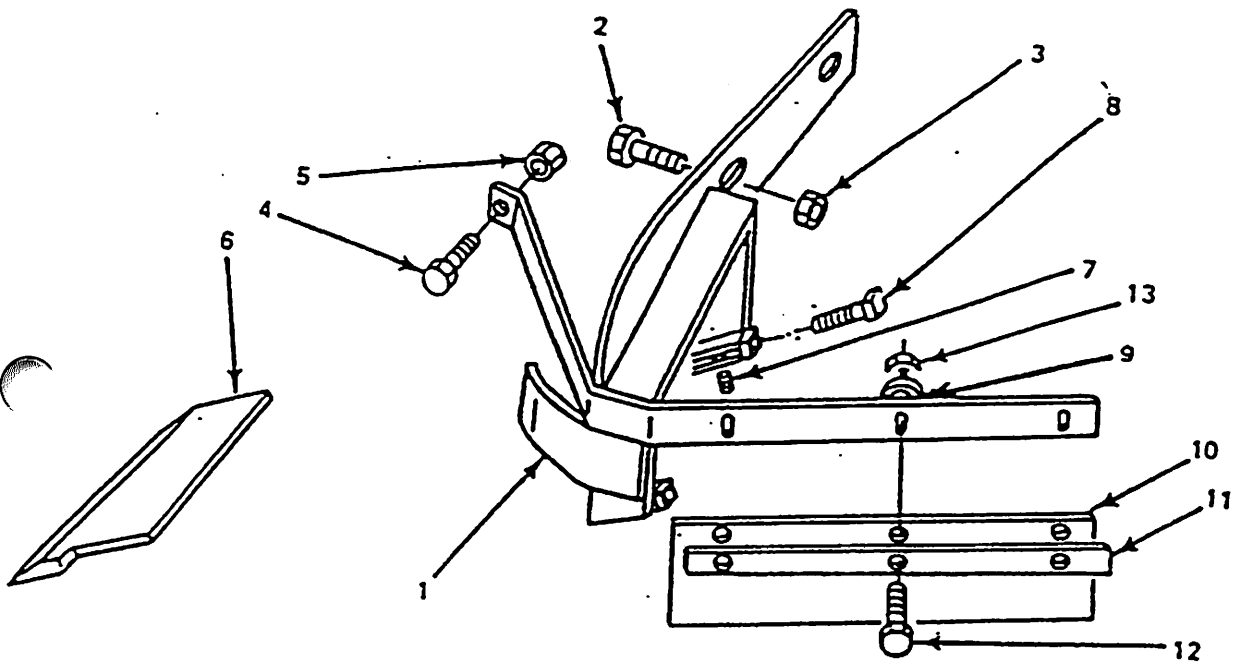
GROUP 55-0100A
OPTIONS, BOARD BRUSH GROUP (cont'd)
 SERIAL NUMBER 6308-



GROUP 55-0100A
OPTIONS, BOARD BRUSH GROUP (cont'd)

IND	PART NO	DESCRIPTION	QTY	SERIAL NO
61	PM-3208D	HOSE, 3/8 X 52	1	4932-5412
	PM-3220D	HOSE, 3/8 X 55	1	5579-
62	PM-1072A	HOSE, 1/4 X 18	2	4932-
63	PM-3102B	HOSE, 3/8 X 25	1	4932-
64	PM-3102A	HOSE, 3/8 X 26	1	4932-
65	PM-3252B	HOSE, 3/8 X 63	1	4932-
66	F1-69050	90° ELBOW	1	4932-5603
67	F3-64310	ADAPTER	3,1	4932-
68	HA-10981	LOCKNUT, 3/8-16	2	4932-
69	HA-15988	NUT, HX, THIN, 1/2-20	2	4932-
70	FL-62260	ADAPTER	1	4932-5603
71	HA-14986	LOCKNUT, 1/2-13	2	4932-
72	PM-3595A	HOSE, 3/8 X 121	2	5206-
73	15-62140	PIN, ARM	1	6308-
74	HA-08017	SCREW, HEX HD, 5/16-18X 2-1/4	1	6308-
75	HA-08981	LOCKNUT, HEX, 1/4-20	1	5006-

GROUP 55-0100A
OPTIONS, EDGER GROUP



GROUP 55-0100A
OPTIONS, EDGER GROUP

IND	PART NO	DESCRIPTION	QTY	SERIAL NO
	KZ-74820	EDGER KIT, INCLUDING ITEMS 1 THRU 13	1	4493-
1	5E-71200	FRAME, EDGER	1	4493-
2	HA-18014	SCREW, HEX HD, 5/8-11 X 1-1/2	2	4493-
3	HA-18986	NUT, HEX FLEXLOCK, 5/8-11	2	4493-
4	HA-14014	SCREW, HEX HD, 1/2-13 X 1-1/2	1	4493-
5	HA-14986	NUT, HEX FLEXLOCK, 1/2-13	1	4493-
6	5E-71770	BLADE, EDGER	1	4493-
7	HD-0840F	SOCKET SET SCREW, 5/8-16 X 3/8	2	4493-
8	HD-1451F	SET SCREW, SQUARE HD, 1/2-13 X 2-1/2	2	4493-
9	HA-10860	FLAT WASHER, 3/8	3	4493-
10	5M-76500	SQUEEGEE, EDGER	1	4493-
11	1M-33780	BAR, SQUEEGEE RETAINING	1	4493-
12	HA-10014	SCREW, HEX HD, 3/8-16 X 1-1/2	3	4493-