

520



PARTS LIST 520

**** ZAMBONI ****

MODEL 520 PARTS LIST

INTRODUCTION

THIS PARTS LIST IS APPLICABLE FOR ALL ZAMBONI MODEL 520 ICE RESURFACERS. THE RIGHT-HAND COLUMN OF THE LISTING CONTAINS THE SERIAL NUMBERS OF THE MACHINES FOR WHICH A GIVEN PART IS USABLE. WHEN TWO OR MORE PART NUMBERS ARE LISTED UNDER A SINGLE INDEX NUMBER, ONE PART IS USED FOR ONE SERIES OF MACHINES AND THE OTHER PART (OR PARTS) IS USED IN THE SAME PHYSICAL LOCATION FOR THE SERIAL NUMBERS LISTED OPPOSITE THE PART NUMBER.

BE CERTAIN TO INCLUDE THE FOLLOWING INFORMATION WHEN ORDERING PARTS FROM ZAMBONI:

1. PART NUMBER, ITEM DESCRIPTION AND QUANTITY REQUIRED.
2. MODEL AND SERIAL NUMBER OF YOUR MACHINE.
3. SHIPPING INSTRUCTIONS (AIR, SURFACE, PARCEL POST).

IF YOU HAVE ANY QUESTIONS CONCERNING THE CORRECT PART FOR YOUR MACHINE, PLEASE CONTACT OUR CUSTOMER SERVICE OFFICE BY MAIL - OR CALL US DIRECT.

THE SERIAL NUMBER OF THIS MACHINE IS	520 - _____
THE ENGINE (FORD) SERIAL NUMBER IS	_____
THE ENGINE CODE NUMBER IS	Alpha Code _____
PAINT COLOUR CODES & BRAND	Sherwin Williams Acrylic Urethane _____
SNOW TANK	_____
BODY	_____

PATENTS: United States Pat. Nos. 2642679, 2763939, 3044193, 3622205, 4125915. Canadian Pat. Nos. 519619, 928063, 1091009. Japanese Pat. Nos. 451121, 451112, 831438. Swiss Pat. No. 319606. Great Britain Pat. No. 722880. Swedish Pat. No. 7107963-6. West German Pat. No. 1096261. French Pat. No. 71.22530 - Other U.S.A. and Foreign Patents applied for.

THIS BOOK WAS LAST REVISED SEPTEMBER, 2016

PART NO.: DM-20385

*** * Z A M B O N I * ***
MODEL 520 PARTS LIST

CONTENTS

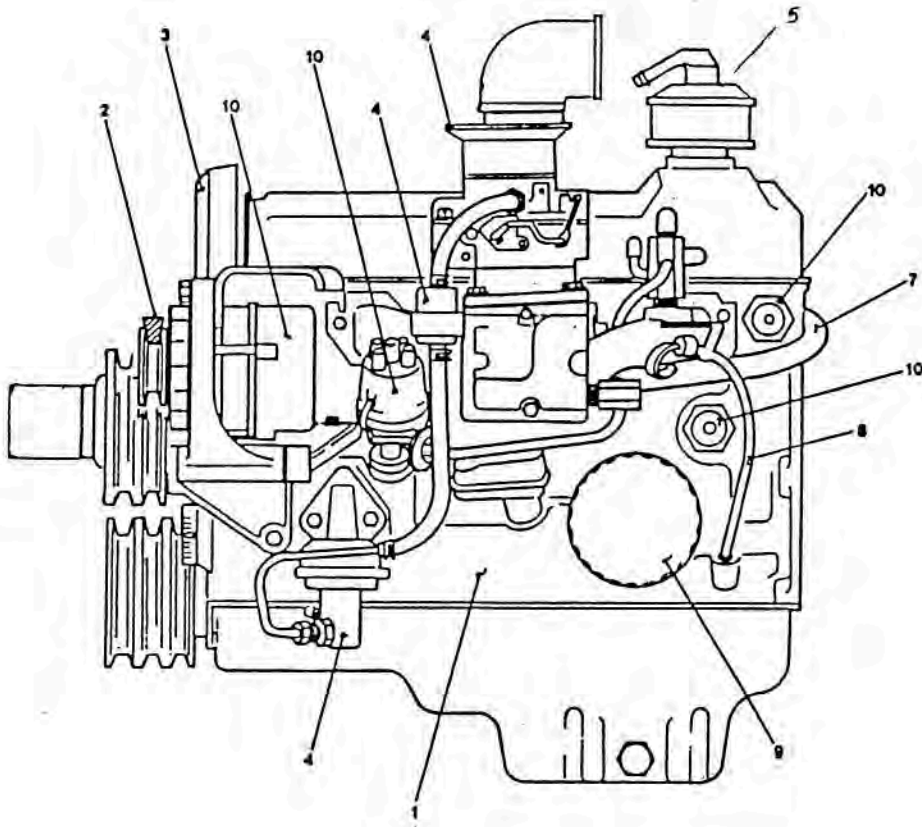
<u>GROUP</u>	<u>DESCRIPTION</u>
1.10	ENGINE
1.20	ENGINE TO CHASSIS MOUNTING
1.30	POWER TRANSMISSION
1.40	TRANSFER CASE
1.50	ENGINE COOLING SYSTEM
1.60	ENGINE EXHAUST SYSTEM
1.70	GASOLINE FUEL SYSTEM
1.80	LPG FUEL SYSTEM
1.90	CNG FUEL SYSTEM
2.00	LAMBDA FUEL MANAGEMENT SYSTEM (LPG & CNG, Optional)
2.10	ELECTRICAL
3.10	AXLES, DRIVE SHAFTS, WHEELS, TIRES, SUSPENSION
3.20	TIRE WASH (Optional)
4.10	HYDROSTAT CONTROL
4.20	GOVERNOR CONTROL, MECHANICAL
4.25	GOVERNOR CONTROL, ELECTRONIC
4.30	STEERING SYSTEM
4.40	BRAKING SYSTEM
5.10	BODY PANELS
6.10	VERTICAL CONVEYOR & OPTIONAL SNOW BREAKER
7.10	HYDRAULIC SYSTEM
7.20	HYDRAULIC DOUBLE PUMP & HAND PUMP
7.30	HYDROSTATIC PUMP & FITTINGS
7.40	HYDROSTATIC MOTOR & FITTINGS
7.50	HYDRAULIC OIL TANK
7.60	HYDRAULIC OIL FILTER
7.70	CONTROL VALVES
8.10	SNOW TANK
9.10	WATER TANKS & OPTIONAL WATER TRANSFER SYSTEM
10.10	WASH WATER TANK & OPERATOR'S AREA
11.10	CONDITIONER
11.15	WASH WATER PUMP
11.20	CONDITIONER LIFT BAR
12.10	BOARD BRUSH
13.10	ZAMBONI EDGER ATTACHMENT (Optional)

**** Z A M B O N I 520 ****

CONSOLIDATED PARTS LIST

Group 1.10 ENGINE LSG-423

Serial Number Range: 3408-5258



**** Z A M B O N I 520 ****

CONSOLIDATED PARTS LIST

Group 1.10 ENGINE LSG-423

IND	PART NO.	DESCRIPTION	QTY	S/N RANGE
THIS ENGINE IS A 2.3 LITRE (140 Cu. In.) 4 CYLINDER FORD MODEL NUMBER LSG-423. THIS ENGINE IS EQUIPPED WITH A <u>DISTRIBUTOR</u>.				
1		ENGINE, (Quoted on Request) LSG-423	1	3408-5258
	3A-0521R	ENGINE, LONGBLOCK (LSG) REBUILT	1	3408-5258
	3A-0522R	CYLINDER HEAD (LSG) REBUILT	1	3408-5258
	3A-0521VE	VALVE, EXHAUST, 2.3 LSG 1-1/2 DIA.	4	3408-
	3A-0522VE	VALVE, EXHAUST, 2.3 LSG 1-3/8 DIA.	4	-5258
	3A-0522VI	VALVE, INTAKE, 2.3 LSG	4	3408-5258
	2D-0420A	UPPER GASKET KIT (15,16,18,19A,19B,19C,20, 3C-0400B)	1	3408-5258
	2D-0430A	LOWER GASKET KIT (1 & 2 pc Rear Seal & 4 pc Oil Pan Gasket)	1	3408-5258
	2D-0431A	LOWER GASKET KIT (1 pc Rear Seal & 1 pc Oil Pan Gasket)	1	3408-5258
2	42-0435A	BELT, ALTERNATOR DRIVE	1	3408-5258
3	42-04000	BELT, TIMING	1	3408-5258
	42-04010	TENSIONER, TIMING BELT (LSG & LRG)	1	3408-5258
	42-04020	SPRING, TIMING BELT TENSIONER (LSG & LRG)	1	3408-5258
4		SEE FUEL SYSTEM		
5	3L-0400A	OIL FILLER CAP C/W PCV ELBOW (1/4 Turn)	1	3408-5258
5	3L-0400B	OIL FILLER CAP REMOTE PCV (Threaded)	1	3408-5258
7		SEE ENGINE COOLING		
8	3L-0410A	INDICATOR, OIL LEVEL, REAR SUMP (LSG & LRG-423, Type "C")	1	3408-5258
	3L-0411A	TUBE, OIL LEVEL, REAR SUMP (LSG & LRG-423, LRG-425, Type "C")	1	
9	3L-0420A	FILTER, ENGINE OIL	1	3408-5258
10		SEE ELECTRICAL		
11	3F-0405A	PCV VALVE	1	3408-5258
	3F-0406A	OIL SEPARATOR (LSG)	1	3408-5258
	3F-0406B	PCV HOSE "S" SHAPE CRANKCASE TO VALVE	1	3408-5258
13	3B-04100	FLYWHEEL C/W RING GEAR (LSG & LRG)	1	3408-5258
	3B-0400A	RING GEAR (LSG & LRG)	1	3408-5258
14	3E-0400N	SPARK PLUGS	4	3408-5258
15	2D-0411A	INTAKE MANIFOLD GASKET (Type "A" Engine)	1	3408-5258
	2D-0411B	INTAKE MANIFOLD GASKET (Type "B" Engine)	1	3408-5258
	2D-0411C	INTAKE MANIFOLD GASKET (Type "C" Engine)	1	3408-5258
	2D-0411D	GASKET, ADAPTER (Type "A & B" 4 Bolt Manifold)	1	3408-5258
	2D-0411E	GASKET, ADAPTER TO MANIFOLD (Type "C" 2 Bolt)	1	3408-5258
16	2D-04120	INTAKE MANIFOLD COVER GASKET	1	3408-5258
17	2D-0413C	OIL PAN GASKET (1 Piece, Type "C" Engine)	1	3408-5258
	2D-0413A	OIL PAN GASKET (4 Piece, Type "A & B & C" Engines)	1	3408-5258
	2D-0413E	OIL PAN DRAIN GASKET (14MM)	1	3408-5258
	3B-0413E	OIL PAN DRAIN PLUG (14MM)	1	3408-5258
	2D-04140	ROCKER COVER GASKET (1 Piece)	1	3408-5258
19A	2D-04150	HEAD GASKET (LSG-423, LRG-423 & 425)	1	3408-5258
19B	2D-0416A	VALVE STEM SEAL INTAKE LSG-423	4	3408-5258
19C	2D-0416B	VALVE STEM SEAL EXHAUST LSG-423	4	3408-5258
20	2F-42300	FRONT MAIN SEAL	1	3408-5258
21	2F-42310	REAR MAIN SEAL (2 Piece, Type "A, B & C" Engines)	1	3408-5258
22	2F-4231A	REAR MAIN SEAL (1 Piece, Type "C" Engine)	1	3408-5258
23	3D-0400E	EXHAUST MANIFOLD (2 Bolt Ball Socket, Type "A")	1	3408-5258
	3D-0400F	EXHAUST MANIFOLD (4 Bolt Flat Flange, Type "B & C")	1	3408-5258
24	3B-0430A	INTAKE MANIFOLD (Type "A & B")	1	3408-5258
	3B-0430C	INTAKE MANIFOLD (Type "C")	1	3408-5258
25	3B-0431A	INTAKE MANIFOLD TO CARB ADAPTER (Type "A & B")	1	3408-5258
	3B-0431C	INTAKE MANIFOLD TO CARB ADAPTER (Type "C")	1	3408-5258
27	3B-0410A	OIL PAN (Type A & B & C Engines, 22 Mt Bolts)	1	3408-5258
	3B-0410C	OIL PAN (Type C Engine, 20 Mt Bolts)	1	3408-5258
28	3B-6018A	TIMING BELT COVER, OUTER (LSG-423) PLASTIC	1	3408-5258
	3B-6018B	TIMING BELT COVER, INNER (LSG-423) PLASTIC	1	3408-5258
29	FW-41010	VACUUM TEE, 1/4 NPT x 2, 3/16 TUBE	A/R	
	FW-41020	VACUUM TEE, 1/4 NPT x 3, 3/16 TUBE	A/R	

*** * Z A M B O N I 5 2 0 * ***

CONSOLIDATED PARTS LIST

Group 1.10 ENGINE LRG-423

Serial Number Range: 5259-6131

**** Z A M B O N I 520 ****

CONSOLIDATED PARTS LIST

Group 1.10 ENGINE LRG-423

IND	PART NO.	DESCRIPTION	QTY	S/N RANGE
		THIS ENGINE IS A 2.3 LITRE (140 cu. in.) 4 CYLINDER FORD MODEL NUMBER LRG-423. THIS IS A DISTRIBUTORLESS IGNITION ENGINE.		
1		ENGINE (Quoted on Request) LRG-423	1	5259-6131
2	3L-0420A	ENGINE OIL FILTER	1	5259-6131
3	2D-0413E	OIL PAN DRAIN GASKET (14MM)	1	5259-5455
4	2D-0414E	OIL PAN DRAIN GASKET (12MM)	1	5456-6131
5	3B-0413E	OIL PAN DRAIN PLUG (14MM)	1	5259-5455
6	3B-0414E	OIL PAN DRAIN PLUG (12MM)	1	5456-6131
7	42-0440A	TIMING BELT (LRG-423)	1	5259-6131
	42-04010	TENSIONER, TIMING BELT (LSG & LRG)	1	5259-6131
	42-04020	SPRING, TIMING BELT TENSIONER (LSG & LRG)	1	5259-6131
8	42-0445A	BELT, POLY SERPENTINE (Fan and Alternator, LRG-423 & 425)	1	5259-6131
	42-0450A	TENSIONER, SERPENTINE (Fan and Alternator)	1	5259-6131
9	3D-02300	HEAT SHIELD, EXHAUST MANIFOLD TO ALT	1	
10	3F-0408A	PCV VALVE, 2.3 LRG	1	5259-6131
	3F-0408H	HOSE, PCV VALVE TO THROTTLE BODY	1	5259-6131
11	2D-04140	ROCKER COVER GASKET (1 Piece)	1	5259-6131
12	2D-04150	HEAD GASKET (LSG-423, LRG-423 & 425)	1	5259-6131
13	2D-0442A	INTAKE MANIFOLD GASKET	1	5259-6131
14	2D-0443A	EXHAUST MANIFOLD GASKET	1	5259-6131
15	2D-0444A	VALVE STEM SEALS	8	5259-6131
16	3C-0400B	GASKET WATER OUTLET THERMOSTAT	1	5259-6131
17	3F-0407A	OIL SEPARATOR (LRG)	1	5259-6131
18	3D-0400F	EXHUAST MANIFOLD (LSG-423, LRG-423 & 425)	1	5259-6131
	2D-0440A	UPPER GASKET KIT (LRG-423, Incl.Item 11,12,13,15,16)	1	5259-6131
19	3L-0410A	INDICATOR, OIL LEVEL, REAR SUMP (LSG & LRG-423, Type "C")	1	5259-6131
20	3L-0411A	TUBE, OIL LEVEL, REAR SUMP (LSG & LRG-423, LRG-425, Type "C")	1	5259-6131
21	3A-0542R	CYLINDER HEAD ASS'Y, REBUILT (LRG-423)	1	5259-6131
21A	3A-0542BK	BOLT KIT CYL HD M12 x 100.7 LG (LRG-423&425)	10	5259-6131
21B	3A-0542VR	VALVE SPRING RETAINER (LRG-423 & 425)	16	5259-6131
22	3A-0542VE	EXHAUST VALVE (LRG-423 & 425)	4	5259-6131
23	3A-0542VI	INTAKE VALVE (LRG-423 & 425)	4	5259-6131
24	3B-6019A	TIMING BELT COVER, OUTER (LRG-423 & 425)	1	5259-6131
25	3B-6019C	TIMING BELT COVER, INNER (LRG-423 & 425)	1	5259-6131
26	3L-0523A	OIL PUMP (LRG-423)	1	5259-6131
27	3L-0524A	OIL PUMP GASKET (LRG-423 & 425)	1	5259-6131
28	2D-0445A	OIL PAN GASKET (LRG-423)	1	5259-6131
29	3B-0400A	RING GEAR (LSG & LRG)	1	5259-6131
30	3E-0400N	SPARK PLUGS	4	5259-6131
31	2F-4232A	REAR MAIN SEAL (1 PC, LRG-423 Only)	1	5259-6131
32	3A-0542PI	PISTONS (2.3 LRG Only)	4	5259-6131
33	3A-0542PR	RING SET, PISTON (2.3 LRG Only)	4	5259-6131
39	2F-42300	FRONT MAIN SEAL (LSG-423, LRG-423 & 425)	1	5259-6131

NOTE: CANNOT USE A 2.3 LRG HEAD ON A 2.5 LRG ENGINE. THERMOSTAT HOUSING BOLTS TOO BIG FOR 2.5 LRG THERMOSTAT HOUSING.
2.3 = 8 MM BOLTS, 2.5 = 6MM BOLTS 20MM LG & WASHERS

*** * Z A M B O N I 5 2 0 * ***

CONSOLIDATED PARTS LIST

Group 1.10 ENGINE LRG-425

Serial Number Range: 6132 -

**** Z A M B O N I 520 ****

CONSOLIDATED PARTS LIST

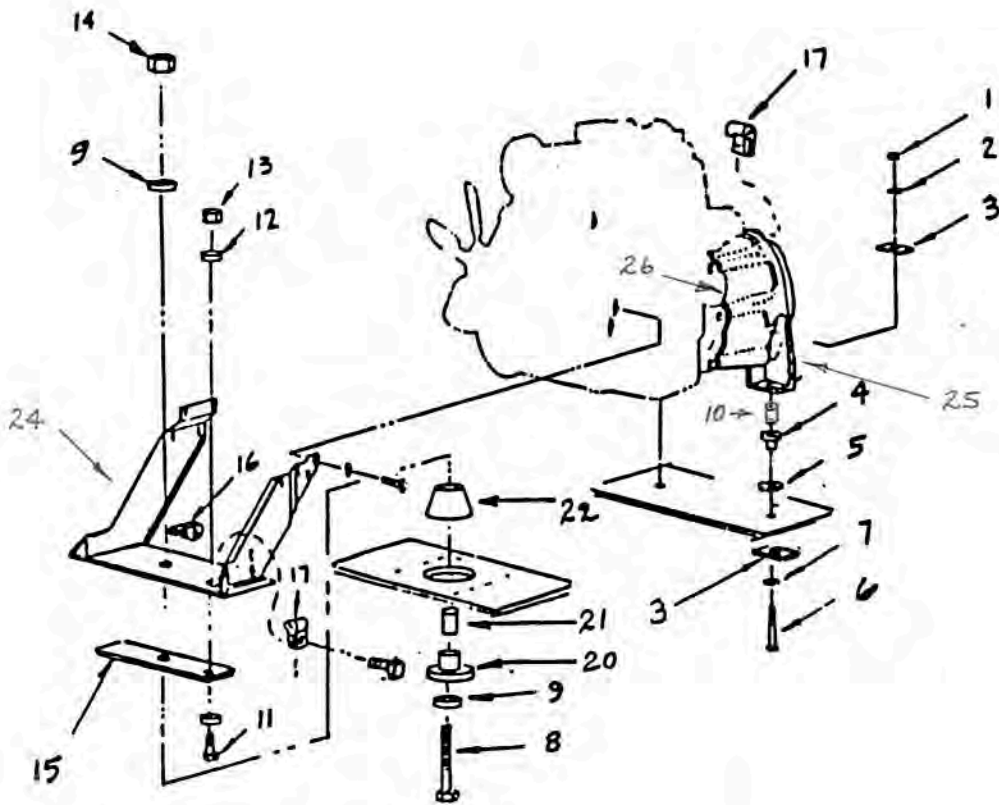
Group 1.10 ENGINE LRG-425

IND	PART NO.	DESCRIPTION	QTY	S/N RANGE
		THIS ENGINE IS A 2.5 LITRE (152 cu. in.) 4 CYLINDER FORD MODEL NUMBER LRG-425. THIS IS A DISTRIBUTORLESS IGNITION ENGINE.		
1		ENGINE (Quoted on Request) LRG-425	1	6132-
2	3L-0420A	ENGINE OIL FILTER (1 Litre/Quart Capacity)	1	6132-
3	2D-0414E	OIL PAN DRAIN GASKET (12MM)	1	6132-
4	3B-0414E	OIL PAN DRAIN PLUG (12MM)	1	6132-
5	3B-0415E	ADAPTER, OIL PAN DRAIN (12MM)	1	6132-
6	42-0440A	TIMING BELT (LRG-423 & 425)	1	6132-
	42-04010	TENSIONER, TIMING BELT (LSG & LRG)	1	6132-
	42-04020	SPRING, TIMING BELT TENSIONER (LSG & LRG)	1	6132-
7	42-0445A	BELT, POLY SERPENTINE (Fan and Alternator, LRG-423 & 425)	1	6132-
	42-0450A	TENSIONER, SERPENTINE (Fan and Alternator)	1	6132-
8	3D-02300	HEAT SHIELD, EXHAUST MANIFOLD TO ALT	1	6132-
9	3F-0408A	PCV VALVE (LRG-423 & 425)	1	6132-
	3F-0408H	HOSE, PCV VALVE TO THROTTLE BODY	1	6132-
10	2D-04140	ROCKER COVER GASKET (1 Piece, LRG-423 & 425)	1	6132-
11	2D-04150	HEAD GASKET (LSG-423, LRG-423 & 425)	1	6132-
12	2D-0442A	INTAKE MANIFOLD GASKET (LRG-423 & 425)	1	6132-
13	2D-0443A	EXHAUST MANIFOLD GASKET (LRG-423 & 425)	1	6132-
14	2D-0444A	VALVE STEM SEALS	8	6132-
15	3C-0400E	"O" RING SPECIAL, THERMOSTAT HOUSING	1	6132-
16	3F-0407A	OIL SEPARATOR (LRG)	1	6132-
17	PM-3096D	HOSE, OIL PAN DRAIN	1	6132-
	PM-3096E	HOSE, OIL PAN DRAIN (EFI Engine Only)	1	8124+
18	F3-19050	CAP, OIL PAN DRAIN HOSE	1	6132-
19	3D-0400F	EXHAUST MANIFOLD (LSG-423, LRG-423 & 425)	1	6132-
20	2D-0440A	UPPER GASKET KIT (LRG-423 & 425, Incl. Item 10,11,12,14)	1	6132-
21	3L-0410A	INDICATOR, OIL LEVEL (LSG & LRG-423 & LRG-425)	1	6132-
22	3L-0412A	TUBE, OIL LEVEL, REAR SUMP (LRG-425)	1	6132-
23	3A-0552N	CYL. HEAD ASS'Y, NEW (LRG-425)	1	6132-6814
	3A-0552N	CYL. HEAD ASS'Y, NEW (LRG-425 c/w W70V Inserts)	1	6815- + 6798 & 6810
23A	3A-0552R	CYL. HEAD ASS'Y, REBUILT (LRG-425) C/W 2, 6MM-1.0 x 20MM HEX BOLTS, FLAT WASHERS & LOCK WASHERS	1	6132-
24	3A-0542VE	EXHAUST VALVES (LRG-423 & 425)	4	6132-
25	3A-0542VI	INTAKE VALVES (LRG-423 & 425)	4	6132-
26	3B-6019A	TIMING BELT COVER, OUTER (LRG-423 & 425)	1	6132-
27	3B-6019C	TIMING BELT COVER, INNER (LRG-423 & 425)	1	6132-
28	3L-0524A	OIL PUMP GASKET (LRG-423 & 425)	1	6132-
29	3L-0525A	OIL PUMP (LRG-425)	1	6132-
30	2D-0450A	OIL PAN GASKET (LRG-425)	1	6132-
31	3B-0400A	RING GEAR (LSG & LRG)	1	6132-
32	3E-0400N	SPARK PLUGS	4	6132-
33	2F-4231A	REAR MAIN SEAL (LSG-423 & LRG-425)	1	6132-
34	3A-0553PI	PISTON (2.5 LRG Only)	4	6132-
35	3A-0553PR	RING SET, PISTON (2.5 LRG Only) (2 Pistons/Set)	2	6132-
36	3A-0553RB	ROD BEARING (2 Half/Box) (4 Box/Engine)	A/R	6132-
37	3A-0553CB	CRANKSHAFT BEARING KIT (1 Box/Engine)	A/R	6132-
38	2D-0439A	LOWER GASKET KIT	1	6132-
39	2F-42300	FRONT MAIN SEAL (LSG-423, LRG-423 & 425)	1	6132-
	NOTE:	CAN USE A 2.5 LRG HEAD ON A 2.3 LRG.		

* * Z A M B O N I 520 * *

CONSOLIDATED PARTS LIST

GROUP 1.20 ENGINE TO CHASSIS MOUNTING



* * Z A M B O N I 520 * *

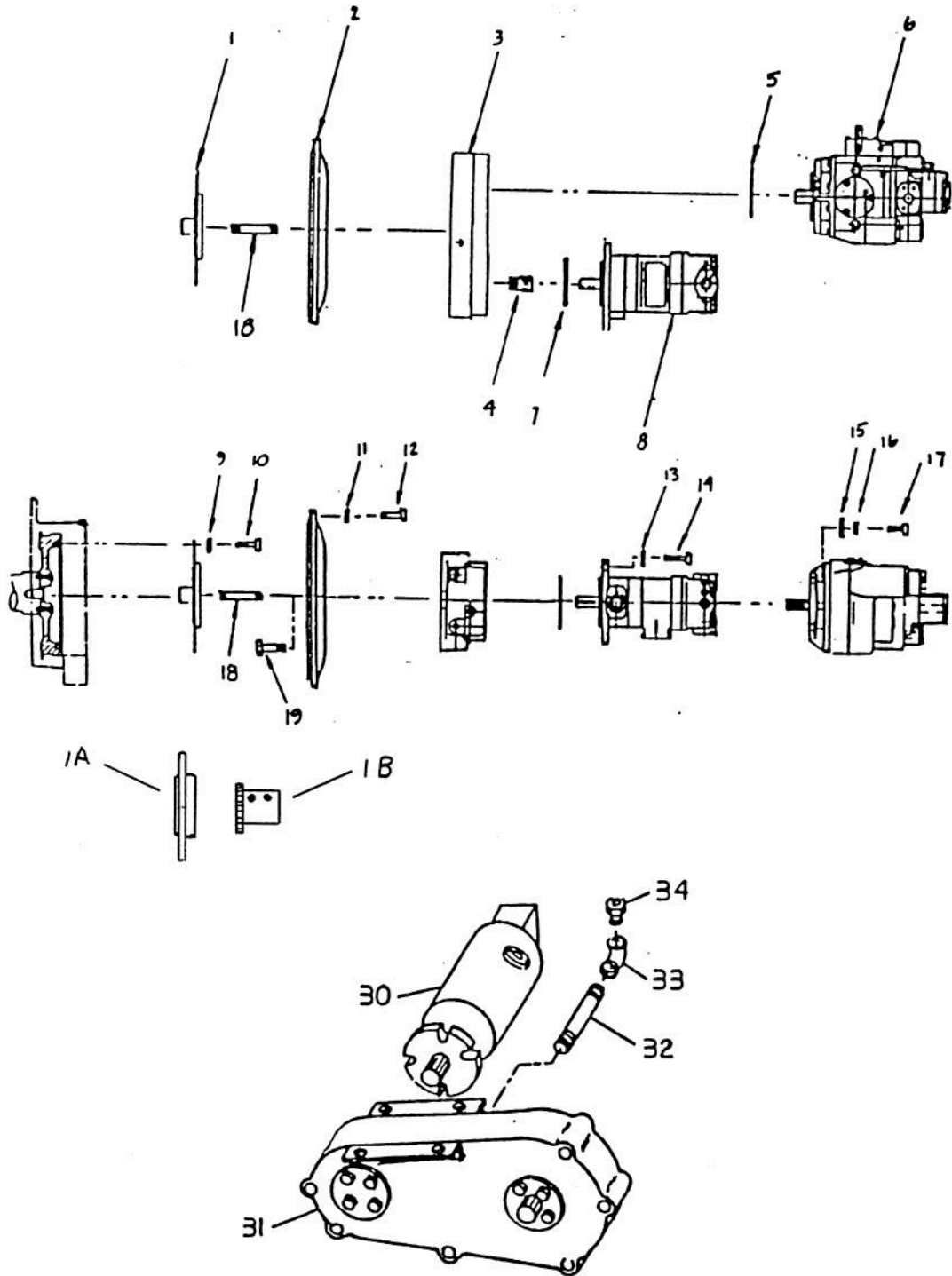
CONSOLIDATED PARTS LIST

Group 1.20 ENGINE TO CHASSIS MOUNTING

IND	PART NO.	DESCRIPTION	QTY	S/N RANGE
1	HA-13981	LOCKNUT, HEX, 7/16-20	2	3408-
2	HA-12860	FLATWASHER, 7/16	2	3408-
3	8P-0420A	PAD, RUBBER, ENGINE MOUNTING	2	3408-3608
4	3M-17710	BUSHING, VIBRATION DAMPENING (LSG-423)	2	3408-5258
	3M-17710	BUSHING, VIBRATION DAMPENING (LRG-423)	4	5259-
5	HA-34860	FLATWASHER, 1-1/8	2	3408-5258
6	HA-13018	SCREW, HEX HD, 7/16-20 x 2-1/2	2	3408-5258
	HA-13018	SCREW, HEX HD, 7/16-20 x 2-1/2	4	5259-
7	HD-12862	WASHER, SPECIAL	2	3408-5258
	HD-12862	WASHER, SPECIAL	4	5259-
8	HA-16024	SCREW, HEX HD, 9/16-12 x 4	1	3408-5258
9	HA-16860	FLATWASHER, 9/16	2	3408-5258
10	10-1408A	BUSHING 5/8 OD x 7/16 ID x 1/2" LG	2	3408-
11	HA-10011	SCREW, HEX HD, 3/8-16 x 1	1	3408-
12	HA-10861	S.A.E. WASHER, 3/8	2	3408-
13	HA-10981	LOCKNUT, HEX, 3/8-16	1	3408-
14	HA-16986	LOCKNUT, HEX, 9/16-12	1	3408-5258
15	13-05200	SPACER, ENGINE MOUNT, FRONT	1	3408-3827
16	27-30080	CLAMP, SNAP-ON	2	3408-
17	27-30010	CLAMP, RUBBER LINED, 1/2 INCH	3	3408-
20	3M-05200	BUSHING, ENGINE MOUNTING C1TT 6A 061C	1	3408-5258
21	3M-05210	SPACER, ENGINE MOUNTING BUSHING C1TT6A 027C	1	3408-5258
22	3M-05220	ENGINE MOUNT C3TZ-6068D	1	3408-5258
24	3M-05230	FRONT ENGINE MOUNT BKT LSG-423	1	3408-5258
	3M-05260	FRONT ENGINE MOUNT BKT LRG-423	1	5259-
25	3M-05240	SAE 5 HOUSING. REAR ENGINE MOUNT	1	3408-
26	3M-05250	ALUMINUM GASKET PLATE	1	3408-

CONSOLIDATED PARTS LIST

GROUP 1.30 POWER TRANSMISSION



* * Z A M B O N I 520 * *

CONSOLIDATED PARTS LIST

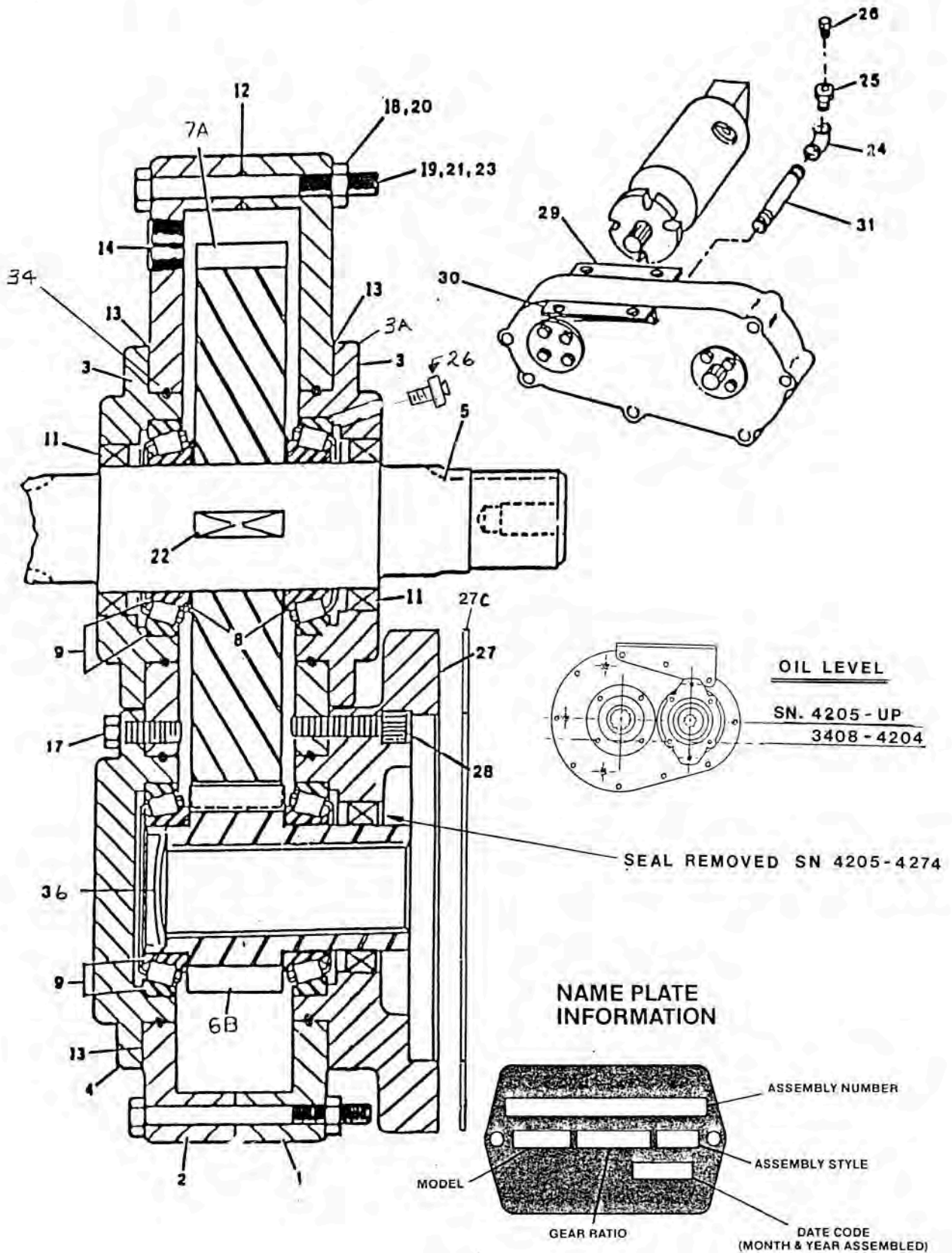
Group 1.30 POWER TRANSMISSION

IND	PART NO.	DESCRIPTION	QTY	S/N RANGE
	1	2J-1667B	1	3408-3607
☞	1	2J-1669B	1	3608-4905
☞	1A	2J-1670A	1	5049-
☞	1B	2J-1670B	1	5049-5754
☞	1B	2J-1670B	1	5755-
	2	2J-1667C	1	3408-3607
		2J-1669C	1	3608-
	3	2J-1667D	1	3408-3495
		2J-1668A	1	3496-3607
				(PLUS 3430)
		(No Gear Box Required For S.N. 3608 - Up)		
	4	19-79610	1	3408-3607
	5	2D-78980	1	3408-3607
	6	SPLINE ADAPTER, PUMP DRIVE/ACCESSORY PUMP		
	7	GASKET, HYDROSTATIC PUMP		
	8	PUMP -- SEE HYDROSTATIC PUMP		
	9	O-RING -- SEE DOUBLE PUMP		
	10	PUMP - SEE DOUBLE PUMP		
☞	9	HA-10862	6	3408-
☞	10	HA-10011	6	3408-4905
☞		HA-10013	6	5049-
	11	HA-10862	8	3408-
	12	HA-10013	8	3408-
	13	HA-14862	2	3408-
	14	HA-14014	2	3408-
	15	HD-16862	4	3408-3607
	16	HA-14862	4	3408-
	17	HA-14014	4	3408-
	18	2J-1667F	1	3408-3607
	30	SHAFT, GEAR BOX INPUT		
	31	MOTOR -- SEE HYDROSTATIC MOTOR		
	32	GEAR BOX -- SEE TRANSFER CASE		
	33	NIPPLE - SEE TRANSFER CASE		
	34	ELBOW -- SEE TRANSFER CASE		
		FITTINGS -- SEE TRANSFER CASE		

NOTE: 2J-1670A & 2J-1670B can only be substituted for 2J-1669B where the splines on the pump shaft show no sign of wear. If wear is present, the 2J-1670B hub will not clamp on properly, resulting in possible further damage. In this case, a 2J-1669B must be used, along with shorter bolts and lockwashers.

CONSOLIDATED PARTS LIST

GROUP 1.40 TRANSFER CASE



REV 5/94

* * Z A M B O N I 520 * *

CONSOLIDATED PARTS LIST

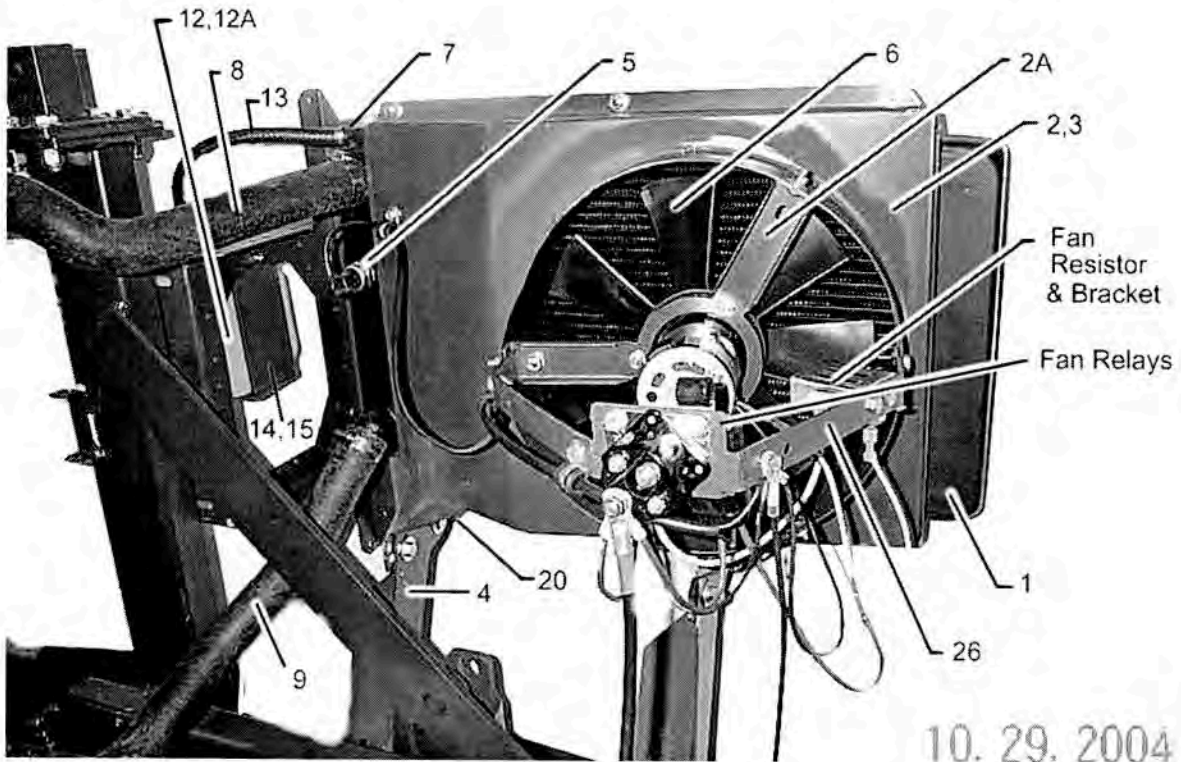
Group 1.40 TRANSFER CASE

IND	PART NO.	DESCRIPTION	QTY	S/N RANGE
		OIL CAPACITY APPROX. 2.11 U.S. PINTS OR 1 LITRES 80W90		WEIGHT = 85 LB.
	2J-16660	GEAR BOX, TRANSFER CASE 3-1	1	3408-3607
	2J-05860	GEAR BOX, TRANSFER CASE 4-1		3608-4293
	2J-05890	GEAR BOX, TRANSFER CASE 4-1		4294-
1		HOUSING HALF, MOTOR SIDE, NOT SERVICED		
2		HOUSING HALF, CLOSED SIDE, NOT SERVICED		
3	2J-7513C	CAP, OPEN END	2	3408-4293
	2J-7513C	CAP, OPEN END	1	4294-
3A	2J-0589C	CAP, OPEN END C/W VENT HOLE	1	4294-
4		CAP, CLOSED END, NOT SERVICED		
5	2J-7513D	SHAFT OUTPUT	1	3408-
6B	2J-1666C	INPUT GEAR, 3:1 RATIO	1	3408-3607
6C*	2J-0586C	INPUT GEAR, 4:1 RATIO-BEFORE DATE CODE 8611	1	3608-3827
6D	2J-0586D	INPUT GEAR, 4:1 RATIO-DATE CODE 8611 & LATER	1	3828-
7A	2J-7513F	OUTPUT GEAR, 3:1 RATIO	1	3408-3607
7B*	2J-0500E	OUTPUT GEAR, 4:1 RATIO-BEFORE DATE CODE 8611	1	3608-3827
7C	2J-0586E	OUTPUT GEAR, 4:1 RATIO-DATE CODE 8611 & LATER	1	3828-
8	2J-7513H	SPACER (Also Incl. in Item 35)	2	3408-
9	1X-95230	BEARING SET, CUP & CONE	4	3408-
11	2F-93200	OIL SEAL (Also Incl. in Item 35)	3	3408-
12	2J-7513A	GASKET, CASE	1	3408-
13	2J-7513B	GASKET/SHIM, END CAP (20 Incl. in Item 35)	A/R	3408-4293
13A	2J-7513J	GASKET/SHIM .003 BLUE	A/R	4294-
13B	2J-7513K	GASKET/SHIM .002 RED	A/R	4294-
14	FL-18160	PLUG, 1/2 NPT	2	3408-
17	HA-08011	SCREW, HEX HD, 5/8-16 x 1	12	3408-
18	HA-10981	LOCKNUT, HEX, 3/8-16	2	3408-
19	HA-10021	SCREW, HEX CAP, 3/8-16 x 3-1/4	2	3408-
20	HA-08981	LOCKNUT, HEX, 6/16-18	8	3408-
21	HA-08021	SCREW, HEX HD, 5/8-16 x 3-1/4	5	3408-
22	15-54114	KEY	1	3408-
23	HA-08023	SCREW, HEX HD, 5/16-18 x 3-3/4	3	3408-
24	FD-02160	ELBOW, 90 DEG, 1/2 NPT	1	3408-3870
25	FD-15050	REDUCING BUSHING, 1/2 x 1/8 NPT	1	3408-3870
26	3R-06000	VENT PLUG, 1/8 NPT	1	3408-
		VENT PLUG RELOCATED TO MOTOR ADAPTING FLANGE		3871-4274
		VENT PLUG RELOCATED TO OUTPUT SHAFT CAP (Front)		4275-
27A	2J-1666H	FLANGE, MOTOR ADAPTING	1	3408-3607
27B	2J-0586H	FLANGE, MOTOR ADAPTING	1	3608-4293
	2J-0589H	FLANGE MOTOR ADAPTING C/W LUB DUCT	1	4294-
27C	2D-05110	FLANGE GASKET	1	4205-
28	HA-10114	SCREW, SOCKET HD CAP, 3/8-16 x 1-1/2	4	3408-
29		MOUNTING BRKT, MOTOR SIDE (Not Serviced)		
30		MOUNTING BRKT, CLOSED SIDE (Not Serviced)		
31	FD-0117B	NIPPLE, 1/2 NPT X 7	1	3408-3870
34	2E-0044B	"O" Ring Seal, 3-3/4 ID x .070 WALL	4	4294-
35	KZ-75130	KIT, INCLUDES ITEMS 8, 11, 12, 13		3408-
	KZ-0586C	INPUT GEAR KIT, CONSISTS OF ITEMS 6C, 27C, 9 (Cones Only (2)), 11, 13 (12 PCS), 3 #2E-0210A "O"-RINGS AND INSTRUCTION SHEET. FOR CASES DATE CODE BEFORE 8611		
	KZ-0586D	SAME AS KA-0586C EXCEPT FOR CASES AFTER DATE CODE 8611		

**** Z A M B O N I 5 2 0 ****

CONSOLIDATED PARTS LIST

Group 1.50 ENGINE COOLING SYSTEM



**** Z A M B O N I 520 ****

CONSOLIDATED PARTS LIST

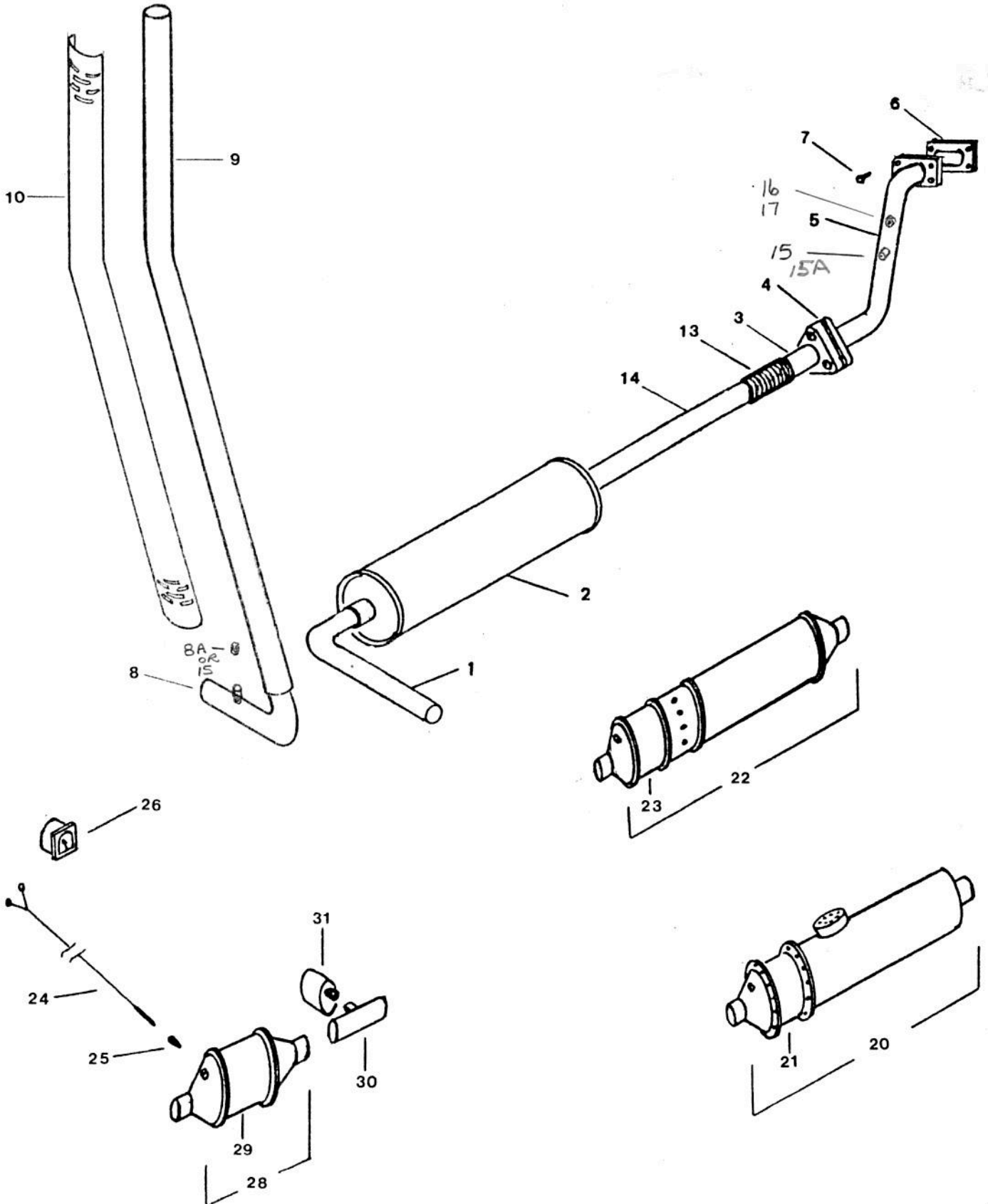
Group 1.50 ENGINE COOLING SYSTEM

IND	PART NO.	DESCRIPTION	QTY	S/N RANGE
	NOTE:	Cooling system capacity approx. 12 litres for LSG. 11 litres for LRG. Radiator on this machine is a 2 pass cross flow design. If recoring, be sure to reinstall and solder in place the baffle located half way down the inlet end tank. Bypass of coolant around the baffle will cause overheating.		
1	3C-0020A	RADIATOR (3/8 Core Space) SUB 3C-0020B	1	3408-3607
	3C-0020B	RADIATOR (1/2 Core Space) CROSS FLOW	1	3608-
	3C-0020B	RADIATOR (1/2 Core Space, Thermostat Lowered)	1	6071-
2	3C-0003A	RADIATOR SHROUD (12.50" Dia. c/w Fan Mt)	1	3408-7678
	3C-0003B	RADIATOR SHROUD (13.25" Dia. Less Fan Mt)	1	7679-
	3C-0004C	RADIATOR SHROUD INSERT 13.25 TO 12.5 DIA. (Note: Fits 7679 Machines and Up.)	1	8463-
2A	3C-0009B	RADIATOR SHROUD FAN MOUNT BRKT	1	7679-
3	3C-0005A	RADIATOR SHROUD TOP HOLDOWN BRKT	1	3408-
4	5T-0004A	RADIATOR SUPPORT ARMS	2	3408-
5	C5-0017A	TEMP SWITCH, 1/2" NPT SPECIAL	1	A/R
	3C-19291	TEMP. SWITCH 92/87°C (Sub 3C-19294)	1	3408-
	3C-19293	GASKET	1	3408-
	3C-19294	TEMP. SWITCH 85/80°C OR 82/77°C	1	3408-
6	2L-0011B	FAN MOTOR & BLADE TWO SPEED (Sub 3C-05210)	1	3408-3827
	3C-05210	FAN MOTOR & BLADE TWO SPEED (Bosch)	1	3828-7939
	2L-0013B	FAN BLADE ONLY (Bosch)	1	3408-7939
	3C-05240	FAN MOTOR C/W 7 BLADE FAN (Fasco)	1	7940-
	3C-05220	RESISTOR .85 OHM	1	7338-
	3C-05225	RESISTOR MT. BRKT.	1	7338-
7	3C-0023A	7# RADIATOR CAP	1	3408-
8	26-0520B	UPPER RAD HOSE (LSG-423 Engine)	1	3408-5258
	26-0522B	UPPER RAD HOSE (LRG-423 & 425)	1	5259-
9	EC-13010	LOWER RAD HOSE FOR 3C-0020A RAD (LSG-423)	1	3408-3607
	26-0521B	LOWER RAD HOSE FOR 3C-0020B RAD (LSG-423)	1	3608-5258
	26-0523B	LOWER RAD HOSE (LRG-423 & 425)	1	5259-
	26-0521C	SPRING FOR LOWER RAD HOSE (LRG-423 & 425)	1	5259-
10	27-2024A	RADIATOR HOSE CLAMPS	4	3408-
11		SEE ELECTRICAL SOLENOID (Fan, On, Off)	1	3408-
12	3C-0022A	COOLANT RECOVERY BOTTLE (Modified, 2 Litre)		3408-
12A	3C-0022B	COOLANT RECOVERY BOTTLE CAP		3408-
	3C-0022BK	COOLANT RECOVERY BOTTLE CAP & LANYARD ASS'Y	1	8454-
13	RH-1076A	COOLANT RECOVERY BOTTLE HOSE (3/8 x 19")		3408-
14	3C-0022C	COOLANT RECOVERY BOTTLE HOLDING CLIP	1	3408-
15	3C-0022D	COOLANT RECOVERY BOTTLE MOUNTING BRKT	1	3408-
16	3C-0400C	THERMOSTAT HOUSING (Type "A & B" LSG-423 Engine)	1	3408-5258
	3C-0400D	THERMOSTAT HOUSING (Type "B & C" LSG-423 Engine)	1	3408-5258
	3C-0440E	THERMOSTAT HOUSING (LRG-423)	1	5259-6131
	3C-0440F	THERMOSTAT HOUSING (LRG-425)	1	6132-
	RH-3240S	HEATER HOSE, SPECIAL, DUAL ID 5/8 x 3/4 x 60 (LRG-425)	1	6132-
17	3C-0400A	ENGINE THERMOSTAT 170°F (Sub 3C-0400F, 180°F)	1	3408-
18	3C-0400B	ENGINE THERMOSTAT GASKET	1	3408-6131
	3C-0400E	"O"RING, SPECIAL, THERMOSTAT HOUSING (2.5 LRG)	1	6132-
19	3C-0420A	WATER PUMP 3/4 PILOT (LSG-423)	1	3408-3495
	3C-0420B	WATER PUMP 5/8 PILOT (LSG-423)	1	3496-5258
	3C-0420P	PULLEY, WATER PUMP (LSG-423)	1	3408-5258
	2D-0417A	GASKET, WATER PUMP (LSG-423)	1	3408-5258
	3C-0440A	WATER PUMP C/W GASKET (LRG-423 & 425)	1	5259-
	2D-0446A	WATER PUMP GASKET (LRG-423 & 425)	1	5259-
	3C-0440P	PULLEY, WATER PUMP (LRG-423 & 425)	1	5259-
	KZ-0440D	WATER PUMP INLET TUBE, "O" RING & BOLT (LRG-423 & 425)	1	5259-
	2E-0217B	WATER PUMP INLET TUBE, "O" RING (.139 x 1.171 ID)	1	5259-
20	3C-0024A	RADIATOR DRAIN COCK	1	3408-
22	3C-0022K	RECOVERY BOTTLE KIT, INC: Items 12, 12A, 13, 14, 15	1	3408-
23	3C-0430A	BLOCK HEATER		OPT.
24	3F-8013Y	"Y" CONNECTOR 5/8 x 5/8 x 3/8 (LSG Gasoline Only)	1	
	3F-8013A	"Y" CONNECTOR 5/8 x 5/8 x 5/8 (LPG & CNG Only)	1	
25	FW-42354	90° ELBOW, STEEL, 3/8 NPT x 5/8 HOSE (Gasoline Only)	2	OPT.
26	3C-0033A	FAN RELAY & START SOL. MT. BRKT.	1	6422-
	3C-0033K	FAN RELAY & START RELOCATION KIT	1	

**** ZAMBONI 520 ****

CONSOLIDATED PARTS LIST

Group 1.60 ENGINE EXHAUST SYSTEM



CONSOLIDATED PARTS LIST

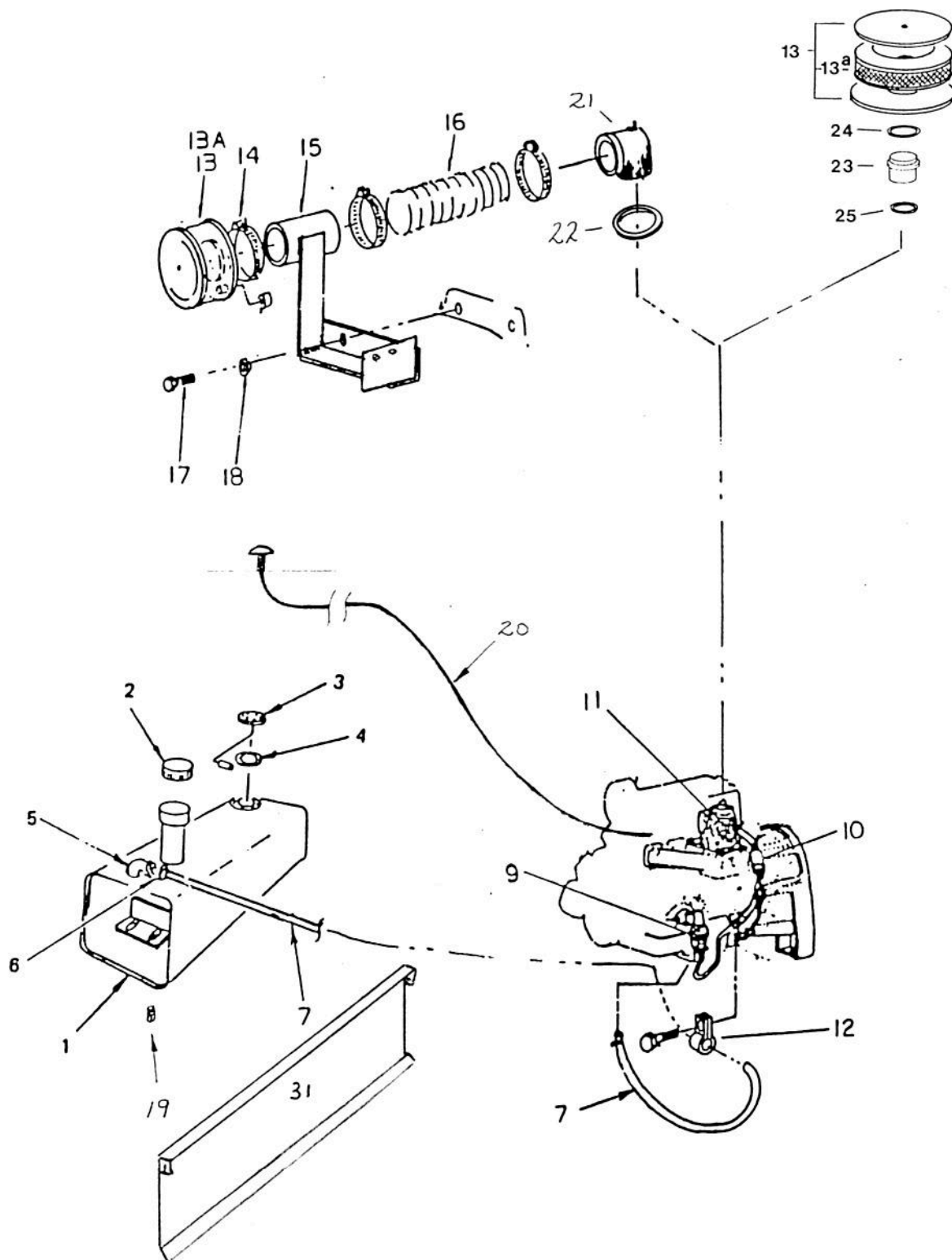
Group 1.60 ENGINE EXHAUST SYSTEM

IND	PART NO.	DESCRIPTION	QTY	S/N RANGE
1	3D-17880	TAIL PIPE, 1-3/4" OD TUBE	1	3408-
	3D-1788A	TAIL PIPE, 2" OD TUBE	1	3608-
2	3D-17920	MUFFLER, SUB 3D-17921	1	3408-3607
	3D-17921	MUFFLER	1	3608-
3	3D-17900	EXTENSION, EXHAUST PIPE (Not Used w/Cat Conv.)	1	3408-4687
	3D-0522A	EXTENSION, EXHAUST PIPE	1	4688-
	HA-08011	SCREW, HEX HD, 5/16-18 x 1	3	3408-
	HA-08862	LOCKWASHER, 5/16	3	3408-
	HA-08980	HEX NUT, 6/16-18	3	3408-
4	2D-17950	GASKET, EXHAUST PIPE FLANGE	1	3408-
5	3D-0520A	PIPE, ENGINE EXHAUST (LSG-423 Engine)	1	3408-5258
	3D-0520B	PIPE, ENGINE EXHAUST (LRG-423 Engine)	1	5259-
6	2D-0520A	GASKET, EXHAUST PIPE FLANGE	1	3408-
7	HM-14017	BOLT HEX. HD. 10MM x 25MM LG.	4	3408-
	HM-17863	10MM EXT. TOOTH LOCKWASHER	4	3408-
8	3D-77950	TAIL PIPE EXTENSION FOR HIGH RISE	1	3408-6043
	3D-77950	TAIL PIPE EXT. FOR HIGH RISE C/W EMISSION TEST PORT	1	6044-
	KZ-77955	ADAPTOR KIT, EMISSION TEST PORT FOR S.N. BEFORE 6044		
8A	FL-18070	1/4 NPT SQ. HD. BRASS PLUG (Retrofit Only)	1	6044-
9	3D-77940	HIGH RISE TAIL PIPE	1	3408-
10	3D-7796A	HEAT SHIELD FOR HIGH RISE TAIL PIPE	1	3408-8129
	3D-7796C	HEAT SHIELD FOR HIGH RISE TAIL PIPE (Adjustable)	1	8130-
	3D-77964	HIGH RISE CLAMPS FOR 3D-7796C	2	8130-
11	27-40280	CLAMP 1-7/8 (Quantity as Required)		3408-
12	27-40290	CLAMP 2 (Quantity as Required)		3408-
13	59-0292F	FLEX PIPE 2" ID x 6" LG S/S (Note: Part No. is for 1 Ft., order 1/2 for 6".)	1/2	4287-
14	3D-0523A	INTERMEDIATE EXHAUST PIPE (Without Purifier)	1	4688-
	3D-0524A	FILLER PIPE (With Purifier 3D-00040)	1	4688-
15	FL-18120	PLUG, BRASS, SQ. HD. 3/8 NPT	1	4642-6043
	FL-18120	PLUG, BRASS, SQ. HD. 3/8 NPT	2,1	6044-
	FL-1812A	PLUG, BRASS, SQ. HD. 3/8 NPT (c/w Hole For Tying Wire)	1	6964-
16	HM-26109	PLUG, SOC. HD 18MM x 1.5 PITCH (Not Used w/Lambda Syst.)	1	5049-
17	HM-10815	SEALING RING 18MM ALUMINUM (Not Used w/Lambda Syst.)	1	5049-
		OPTIONAL CATALYTIC CONVERTER		
20	3D-00030	PURIFIER MUFFLER (16 Screw Style) (2-Way)	1	
21	3D-00031	CATALYST FOR 3D-00030 (Not Available) (2-Way)	1	
22	3D-00032	PURIFIER MUFFLER (Clamp Style) (2-Way)	1	
23	3D-00041	CATALYST FOR 3D-00032 (2-Way)	1	
24	7K-19410	13' THERMOCOUPLING (Fibreglass Insulated, 3/16 Tube)	1	3408-5048
	7K-1941A	13' THERMOCOUPLING (Teflon Insulated, 3/16 Tube)	1	5068,5088,5089, 5090,5094,5095
	7K-19450	1' THERMOCOUPLE (1/4 Tube, Isspro)	1	5049-8169
	7K-19452	14' THERMOCOUPLE EXTENSION LEAD WIRE (Isspro)	1	5049-8169
25	7K-19411	FITTING (Thermocouple 1/8 NPT-3/16 Tube)	1	3408-5048
	7K-19451	FITTING (Thermocouple 1/8 NPT-1/4 Tube)	1	5049-8169
26	7K-19400	PYROMETER GAUGE (Black, 2" & 2-1/4" Dia. Hole)	1	3408-5434
		PYROMETER GAUGE (Chrome, 2" Dia. Hole)	1	5435-8169
27	KZ-00040	PURIFIER KIT (Contains Items 24-26 & 28-31) (2-Way)	1	
28	3D-00040	PURIFIER (PTX5) (2-Way, Clamp Style)	1	4688- } 5048
29	3D-00041	CATALYST FOR 3D-00040 (2-Way, Clamp Style)	1	4688- } plus
30	3D-0004B	VENTURI C/W 1/2" NPT PORT (2-Way)	1	4688- } 5088
	3D-0439A	EXHAUST FILLER PIPE (3-Way)	1	and
31	3D-0470A	SILENCER/MUFFLER FOR VENTURI (2-Way)	1	4688- } 5089
	KZ-00060	PURIFIER KIT (3-Way, Clamp Style, Incl. 24,25,26,28, Engelhard)	1	5049-8169
28	3D-00060	PURIFIER (3-Way, Clamp Style, Engelhard)	1	5049-8169
	3D-00065	PURIFIER (3-Way, 28 & 29 Clamp Style ECS)	1	8170-8431
	3D-00066	CATALYST (ECS for 3D-00065)	1	8170-8431
	3D-00068	PURIFIER (3 Way, 28 & 29 Clamp ECS 7" FL. 6-9" LG)	1	8432-
29	3D-00061	CATALYST FOR 3D-00060 (3-Way, Clamp Style)	1	5049-8169
	NOTE:	3-Way Converters Do Not Use Venturi's (Items 30 & 31)		
40	KZ-00170	3-WAY PURIFIER/MUFFLER (40,24,25,26)	OPT	
	3D-00170	PURIFIER/MUFFLER 3-WAY	OPT	

** ZAMBONI 520 **

CONSOLIDATED PARTS LIST

GROUP 1.70 FUEL SYSTEM



CONSOLIDATED PARTS LIST

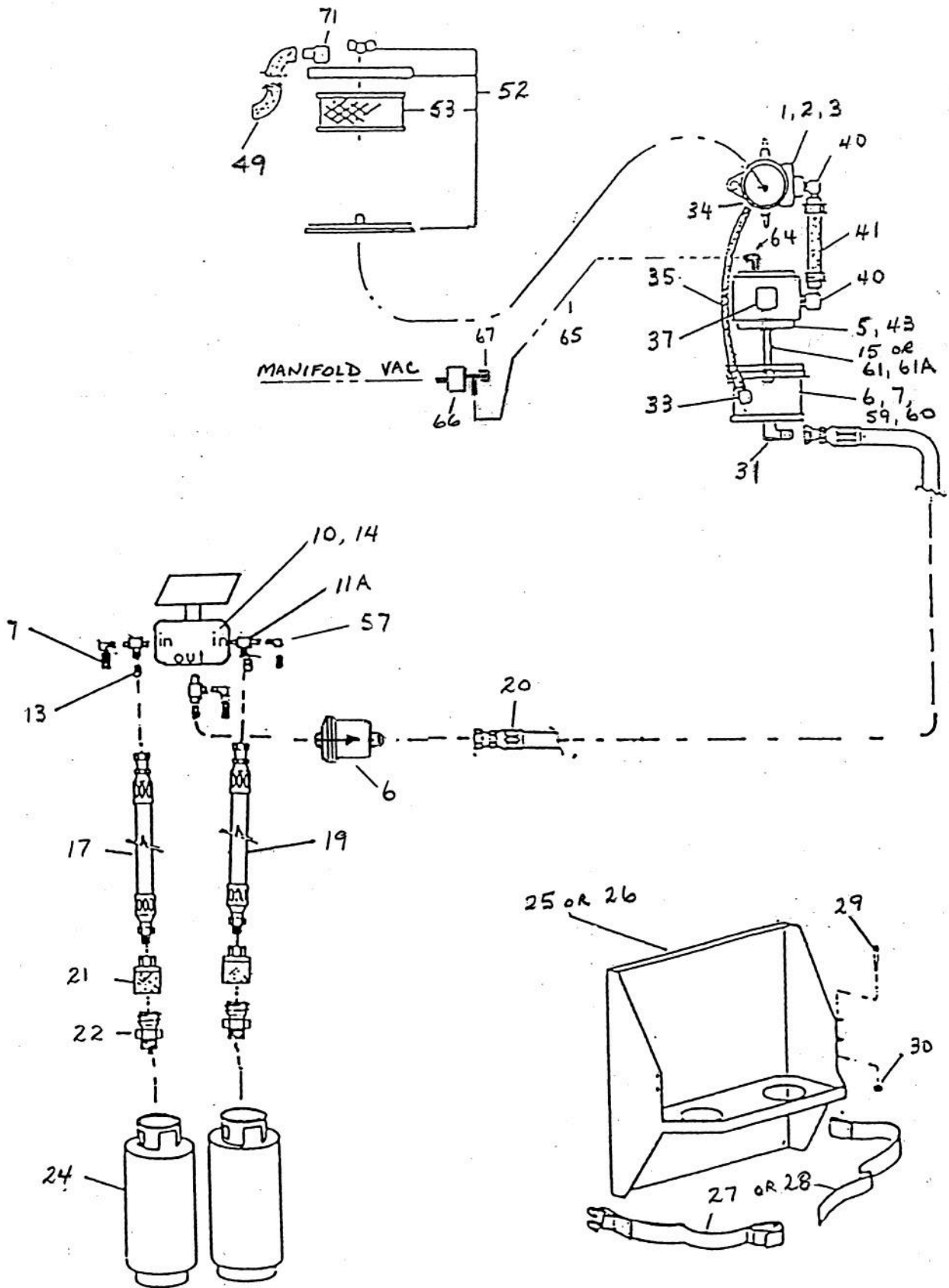
Group 1.70 GASOLINE FUEL SYSTEM

IND	PART NO.	DESCRIPTION	QTY	S/N RANGE
1	7A-15240	TANK, GASOLINE	1	3408-
	HA-08011	SCREW, HEX HD, 5/16-18 x 1	4	3408-
	HA-08860	FLAT WASHER, 5/16	8	3408-
	HA-08981	LOCKNUT HEX, 5/16-18	4	3408-
2	7D-18990	CAP, FILL TUBE	1	3408-
3	3F-4005A	SENDING UNIT, FUEL LEVEL INDICATOR	1	3408-
	HA-04706	SCREW, FILLISTER HD, 10-32 x 1/2	5	3408-
4	2D-40720	GASKET, FUEL SENDING UNIT	1	3408-
5	F4-67070	ADAPTER, 90° ELBOW, 04FV x 04MP	1	3408-
6	FW-56060	CONNECTOR, 1/4 HOSE x 04MV	1	3408-
7	P6-2212A	HOSE, FUEL, 5/16 X 56	1	3408-
	27-2001A	HOSE CLAMP	2	3408-
9	3F-0402A	FUEL PUMP (LSG-423)	1	3408-5258
	2D-0400A	GASKET FUEL PUMP (LSG-423)	1	3408-5258
10	3R-0430A	FUEL FILTER (LSG-423 & LRG-423 & EFI)	2	3408-
10A	3R-0430P	FILTER, GAS 5/16, SEE THRU PLASTIC, USE AT CARB	1	7355-
10B	3R-0425A	PRESSURE REG. AND FILTER ASS'Y (EFI Only)	1	
11	3F-0401A	CARBURETOR (Holley 1940)	1	3408-6101
	3F-0403A	CARBURETOR RENEWAL KIT (Holley 1940)		
	3F-12254	CARB JET #54 (For 3F-0410A, Holley 1940)	OPT.	
	3F-12255	CARB JET #55 (For 3F-0410A, Holley 1940)	OPT.	
	3F-0403C	PISTON PUMP CUP (For 3F-0410A, Holley 1940)	OPT.	
	3F-0404A	CARBURETOR FLOAT (Holley 1940)		
	3F-0404B	MAIN BODY GASKET (Holley 1940)	1	3408-6087
	3F-6260F	GASKET, HOLLEY CARB TO INTAKE MANIFOLD (C-141-30)	1	3408-6101
11A	3F-0410A	CARBURETOR (for Mechanical Gov., Zenith 33AW8)	1	6102- Plus 6080
	3F-0420A	CARBURETOR (for Elec. Gov, Zenith 33AW8)	OPT.	6924 -7934
	3F-0420A	CARBURETOR C/W ADJ.MAIN JET (for Elect.Gov., Zenith 33AW8)	1	7935-
	3F-0410R	CARB REPAIR KIT FOR ZENITH (33AW8)	1	6102-
11B	3F-0411A	FUEL SHUT-OFF SOLENOID (Zenith 33AW8)	1	6432-7934
11C	4P-50400	TUBE ASS'Y, STEEL 5/16 C/W NUT	1	5259-
11D	F4-64050	FITTING, BRASS INV FLARE 45°, 5/16 TUBE - 1/8 NPT MALE	1	5259-
11E	3F-0415A	GASKET, ZENITH CARB TO INTAKE MANIFOLD	1	6102-
12	27-07040	CLAMP, 1/4 INCH	1	3408-
13	3R-0520A	AIR CLEANER ASS'Y (Including Filter Element) (Sub 3R-0520B)	1	3408-4647
	3R-0401B	AIR CLEANER ASS'Y (Including Filter Element)	1	4648-
	3R-0520E	AIR CLEANER ASS'Y (1 Piece, EFI Engine Only)	1	8124+
13A	3R-0520F	FILTER ELEMENT, FOR 3R-0520A	1	3408-4647
	3R-0401E	ELEMENT FOR 3R-0401B	1	4648-
14	27-2064A	CLAMP	3	3408-4647
15	5T-0520A	BRACKET, AIR CLEANER MOUNTING	1	3408-4647
16	RR-8038A	HOSE, AIR CLEANER, 2.62" DIA. X 10" LG	1	3408-4647
17	HM-17019	SCREW, HEX, HD, 10-1.50 x 35 MM	2	3408-
18	HA-12862	LOCKWASHER	2	3408-
19	FD-18060	1/4" NPT SQ. HD. PLUG	1	3408-
20	33-31320	MANUAL CHOKE CABLE 13 FT.	1	3408-
21		AIR HORN 06D9JL 9520A	1	3408-4647
22	3F-0400F	AIR HORN GASKET C5JZ-9654-A	1	3408-4647
23	3R-0400C	AIR CLEANER ADAPTER (Holley)	1	4648-6087
	3F-0413A	AIR CLEANER ADAPTER (Zenith)	1	6102- Plus 6080
24	3R-0400D	GASKET, AIR CLEANER TO ADAPTER (Holley & Zenith)	1	4648-
25	3R-0400F	GASKET ADAPTER TO CARB (Holley)	1	4648-6087
	3F-0414A	GASKET ADAPTER TO CARB (Zenith)	1	6102- Plus 6080
26	5T-0520H	SOLENOID MT BKT	1	4648-6421
27	3F-0440A	FUEL PUMP ELEC. (LRG-423) (1L/MIN, Sub 3F-0441A)	1	5259-6080
	3F-0441A	FUEL PUMP ELEC. (LRG-423, 2.5-4.5 PSI)	1	6081-
28	FW-67100	ELBOW, 90° BRASS 5/16 HOSE x 1/8" NPT	1	5259-
29	3L-0440P	SWITCH, LOW OIL PRES./FUEL PUMP SHUTDOWN	1	5259-5283
	3L-0441P	SWITCH, LOW OIL PRES./FUEL PUMP SHUTDOWN	1	5284-
	75-0441P	CONN./HARN., LOW OIL PRES./FUEL PUMP SHUTDOWN	1	5284-
30	3R-0430B	FUEL FILTER (LRG-423, Sub 3R-0430A)	1	5259-
31	1V-05232	HEAT SHIELD GAS TANK	1	5463-
32	3F-8013Y	"Y" CONNECTOR HEATER HOSE (5/8 x 5/8 x 3/8) LSG ONLY	1	3408-5258

**** ZAMBONI 520 ****

CONSOLIDATED PARTS LIST

Group 1.80 LPG FUEL SYSTEM



* * Z A M B O N I 520 * *

CONSOLIDATED PARTS LIST

Group 1.80 LPG FUEL SYSTEM (NON EFI)

IND	PART NO.	DESCRIPTION	QTY	S/N RANGE
NOTE: FOR EFI CERTIFIED ENGINES – SEE FORD MANUAL FOR CARB COMPONENTS.				
1	3F-8010A	MIXER, CARBURETOR CA-100M-4-2	1	3408-4647
	3F-72570	MIXER, CARBURETOR FB-125M-2 (Feedback)	1	6132-6922
	3F-72570	MIXER, CARBURETOR FB-125M-570 (Feedback)	1	6923-
	3F-8104A	MIXER (Ford EFI Certified Engine Only, Consult Factory)	1	8152,
	3F-80500	GASKET (Mixer to Air Cleaner 5" ID G1-66)	1	6132-
	3F-80501	GASKET (Throttle Body to Mixer G1-11, Models 100&125)	1	
	3F-6260G	AIR GAS VALVE & DIAPHRAGM (Feedback, AV1-1447-2)	1	6132-
	00-07475	AIR GAS VALVE & DIAPHRAGM (Non Feedback, AV1-14-3)	Opt	
	3F-6260H	SPACER RING (Mixer Gas Valve Shim R1-29, Models 100&125) As Req'd		
	3F-8021A	MIXER, CARBURETOR CA-50M-500	1	4648-4878
	3F-72508	MIXER, CARBURETOR CA-55M-500	1	4879-6131
	3F-72509	MIXER, CARBURETOR CA-55M-500-2	1	4879-6131
	3F-72510	MIXER, CARBURETOR CA-55M-500-4	1	4879-6131
	3F-72519	MIXER, CA-55 C/W 90° 2-1/16 AIR HORN ASS'Y	Opt.	
	3F-80510	GASKET (Throttle Body to Mixer, G1-92, Models 50 & 55)	1	
	3F-80511	GASKET (Air Horn to Mixer, G1-101, Models 50 & 55)	1	
1A	3F-8022A	MIXER, AIR CLEANER ADAPTER PLATE A2-44	1	4648-6131
1B	FD-18060	1/4" NPT PIPE PLUG FOR 3F-8022A	1	4648-6131
2	3F-8002A	MIXER THROTTLE BODY AT2-23 5/16 SHAFT	1	3408-4647
2	3F-8002A	MIXER THROTTLE BODY AT2-23 5/16 SHAFT	1	6132-
	3F-8002B	MIXER THROTTLE BODY AT2-27 1/4 SHAFT	1	4648-6131
	3F-6260F	GASKET, 1-1/4 FLANGE (Throttle Body to Manifold)	1	
3	KV-1194A	MIXER THROTTLE BODY RETURN SPRING (5/16 Shaft)	1	3408-4647
3	KV-1194A	MIXER THROTTLE BODY RETURN SPRING (5/16 Shaft) (Note: KV-1194A not used on machines with electronic governors.)	1	6132-
	3F-8003B	MIXER THROTTLE BODY RETURN SPRING (1/4 Shaft)	1	4648-6131
5	3F-72440	CONVERTER JB-2	1	3408-4878
	00-07476	CONVERTER REPAIR KIT FOR 3F-72440 RKJ-2	1	3408-4878
	3F-72500	CONVERTER KB-2 (Blue Spring)	1	4879-6803
	3F-72505	CONVERTER KO-2 (Orange Spring)	Opt.	4879-6803
	3F-72505	CONVERTER COBRA-I (Orange Spring, 1, 1/8 NPT Port in Cover)	1	
	3F-72506	CONVERTER COBRA-I (Orange Spring, 2, 1/8 NPT Ports in Cover) (Note: 2, 1/8 NPT ports in cover needed for LRG engines c/w Lambda)	1	6804-
	3F-8103A	CONVERTER (Ford EFI Certified Engine Only, Consult Factory)	1	8152,
	KZ-72500	REPAIR KIT FOR 3F-72500, 05 & 06 (RK-COBRA)	1	4879-
	3F-72499	PRIMARY VALVE PIN & "O" RING ASS'Y FOR KB & KO (Included in Kit KZ-72500)	1	
	3F-72601	BLUE SPRING FOR KB-2 & COBRA (1.5 W.C.)	Opt.	
	3F-72602	ORANGE SPRING FOR KO-2 & COBRA-I (0.5 W.C.)	Opt.	
6	3F-72450	FUEL LOCK VFF30-2	1	3408-
	3F-7246A	FUEL LOCK-OFF (Ford EFI Certified Engine Only, Consult Factory)	1	8152,
	00-07477	FUEL LOCK REPAIR KIT FOR VFF30-2, RF-VFF30-2	1	3408-
	3R-0402A	FILTER, FUEL LOCK ASSEMBLY AF1-10	1	3408-
	3R-1525L	FILTER, CANNISTER, 1/4 NPT, 3/8 FLARE (EFI)	1	8152-
7	2V-72780	HYDROSTATIC RELIEF 400 PSI	1,3	3408-
8	3F-8011A	BULK HD FITTING T-433	1	3408-4327
9	2V-72790	FUEL CHECK VALVE 2MM	2	3408-4327
10	3F-7246A	FUEL SHUT OFF SOLENOID	2	3408-4327
	2V-72760	MANUAL FUEL CROSSOVER VALVE (Hoke)	1	4328-
	2V-7276H	HANDLE FOR HOKE VALVE 2V-72760	1	Option
11	FL-82360	BRASS TEE 1/4 NPT M x F x F	1	3408-4327
11A	FL-82360	BRASS TEE 1/4 NPT M x F x F	3	4328-
12	FL-81270	BRASS TEE 1/4 NPT F x F x M	2	3408-4327
13	F5-62450	BRASS STRAIGHT NIPPLE 1/4 NPT-3/8 SAE	5	3408-
14	5T-05030	SOLENOID ASSEMBLY MT. BKT.	1	3408-4327
15	P4-3072C	PROPANE HOSE 3/8 x 18" OA	1	3408-4327
16	P4-3104B	PROPANE HOSE 3/8 x 26" OA (Sub P4-3128B)	1	3408-
17	P4-3128B	PROPANE HOSE 3/8 x 32" OA	1	3408-
18	P4-3152B	PROPANE HOSE 3/8 x 38" OA (Sub P4-3176B)	1	3408-
19	P4-3176B	PROPANE HOSE 3/8 x 44" OA	1	3408-
20	P4-3600B	PROPANE HOSE 3/8 x 12'-6" OA	1	3408-
21	FW-3901F	HOSE TO TANK DISCONNECT FEMALE	2	3408-
22	FW-3801M	TANK TO HOSE DISCONNECT MALE	2	3408-

**** Z A M B O N I 520 ****

CONSOLIDATED PARTS LIST

Group 1.80 LPG FUEL SYSTEM (NON EFI)

IND	PART NO.	DESCRIPTION	QTY	S/N RANGE
23	7A-7280A	PROPANE TANK 33# STL (Optional)	2	3408-
24	7A-7281A	PROPANE TANK 33# ALU (Optional)	2	3408-
25	46-05200	PROPANE TANK SUPPORT BKT (Horizontal Mt)	1	3408-
26	46-0523A	PROPANE TANK SUPPORT BKT (Vertical Mt)	1	3408-5270
	46-05600	PROPANE TANK SUPPORT BKT (Vertical Mt)	1	5271-
26A	5M-88500	VERTICAL TANK SUPPORT BOTTOM PAD	1	4642-
27	1M-0520A	PROPANE TANK STRAP & BUCKLE ASS'Y (Vertical Mt) 42"	1	3408-
28	1M-0530A	PROPANE TANK STRAP & BUCKLE ASS'Y(Horizontal Mt) 50"	1	3408-
29	HA-06020	1/4 NC x 3" LG HEX BOLT	1	3408-
30	HA-06981	1/4 NC HEX BOLT	1	3408-
31	F5-7406B	BRASS ELBOW 1/4 MNPT x 3/8 SAE MALE 45°	1	3408-
32	F5-67600	BRASS ELBOW 1/4 MNPT x 3/8 SAE MALE 90°	1	3408-
33	FP-0204A	90°ELBOW 1/4 ID HOSE-1/8 NPT (Vac Line)	1	3408-
34	FP-0404A	MIXER VACUUM LINE CONNECTOR (Brass)	1	3408-
35	4T-0100A	VACUUM HOSE 7/32 x 18"	1	3408-
36	3F-8013A	5/8 `Y` CONNECTOR, WATER 6655 YN	1	3408-
37	FP-0610B	PLASTIC ELBOW 5/8 ID HOSE - 3/8 NPT	2	3408-4647
	FP-0610B	PLASTIC ELBOW 5/8 ID HOSE - 3/8 NPT	1	4648-
38	FP-0610A	PLASTIC ST NIPPLE 5/8 ID HOSE - 3/8 NPT	2	3408-
39	27-2008A	GEAR CLAMPS	8	3408-
40	3F-8014A	90° ELBOW 1 ID HOSE - 1/2 NPT	2	3408-4647
	3F-8014B	90° ELBOW 5/8 ID HOSE x 3/8 NPT	1	4648-6131
	3F-8014C	90° ELBOW 5/8 ID HOSE x 1/2 NPT	1	4648-6131
	3F-8014C	90° ELBOW 5/8 ID HOSE x 1/2 NPT	2	6132-
41	RL-5000A	1" ID VAPOUR HOSE 12-1/2" LG	1	3408-4647
	RL-2000A	5/8 ID VAPOUR HOSE 12" LG	1	4648-
42	27-2016A	GEAR CLAMPS	2	3408-4647
43	3F-8019A	CONVERTER MT BKT (LSG-423)	1	3408-5258
	3F-8028A	CONVERTER MT BKT (LRG-423, Horiz. Mt. Conv.)	1	5259-6435
	3F-8028A	CONVERTER MT BKT (LRG-423, Vert. Mt. Conv.)	1	6436-
44	RH-3010A	5/8" ID HEATER HOSE 2-1/2" LG	1	3408-
45	RH-3040A	5/8" ID HEATER HOSE 10" LG	1	3408-
46	RH-3048A	5/8" ID HEATER HOSE 12" LG	1	3408-
47	RH-3096A	5/8" ID HEATER HOSE 24" LG	1	3408-
48	RH-3040A	5/8" ID HEATER HOSE (For PCV 10" Oil Filler Cap)	1	3408-4257
49	P6-4000A	1/2" ID PCV HOSE 27-1/2" LG (Valve Cover)	1	4258-
50	27-2006B	GEAR CLAMP	4	4258-
51	5T-0520B	AIR CLEANER MT. BKT.	1	3408-4647
52	3R-0520A	AIR CLEANER ASSEMBLY	1	3408-4647
	3R-0401A	AIR CLEANER ASSEMBLY	1	4648-
53	3R-0520F	AIR CLEANER ELEMENT ONLY	1	3408-4647
	3R-0401E	AIR CLEANER ELEMENT ONLY	1	4648-
	3R-0520E	AIR CLEANER ASS'Y (1 Piece, EFI Certified Only)	1	8152,
54	7P-0401A	SWITCH SOLENOID SELECTOR	1	3408-4327
55	RR-6000A	AIR VENT HOSE 2-3/8 x 10 LG	1	3408-4647
56	27-2036A	AIR VENT HOSE GEAR CLAMPS	3	3408-4647
57	FL-69550	BRASS ELBOW 1/4 MNPT x 1/4 FNPT	2	4328-6101
	FL-69550	BRASS ELBOW 1/4 MNPT x 1/4 FNPT	5	6102-
58	FW-67130	BRASS 90° ELBOW 3/8 MNPT x 1/2 HOSE BARB	1	4648-
59	3F-8023A	FUEL LOCK-OFF BRACKET	1	3408-4861
	3F-8024A	FUEL LOCK-OFF SUPPORT ANGLE	1	4862-
60	3F-8025A	FUEL LOCK-OFF SUPPORT STRAP	1	4862-
61	F2-69040	90° SWIVEL ADAPTER, 04MP, 04FPX	1	4328-4901
	FL-69030	90° ELBOW, STREET, 04MP, 04FP	1	4902-
61A	FL-62020	NIPPLE 1/4 NPT STL	1	4902-
62	KZ-0045B	LOW FUEL (LPG) INDICATOR KIT	OPT	
63	7P-0043C	LOW FUEL (LPG) INDICATOR PRESSURE SWITCH (40 PSI)	OPT	

**** Z A M B O N I 520 ****

CONSOLIDATED PARTS LIST

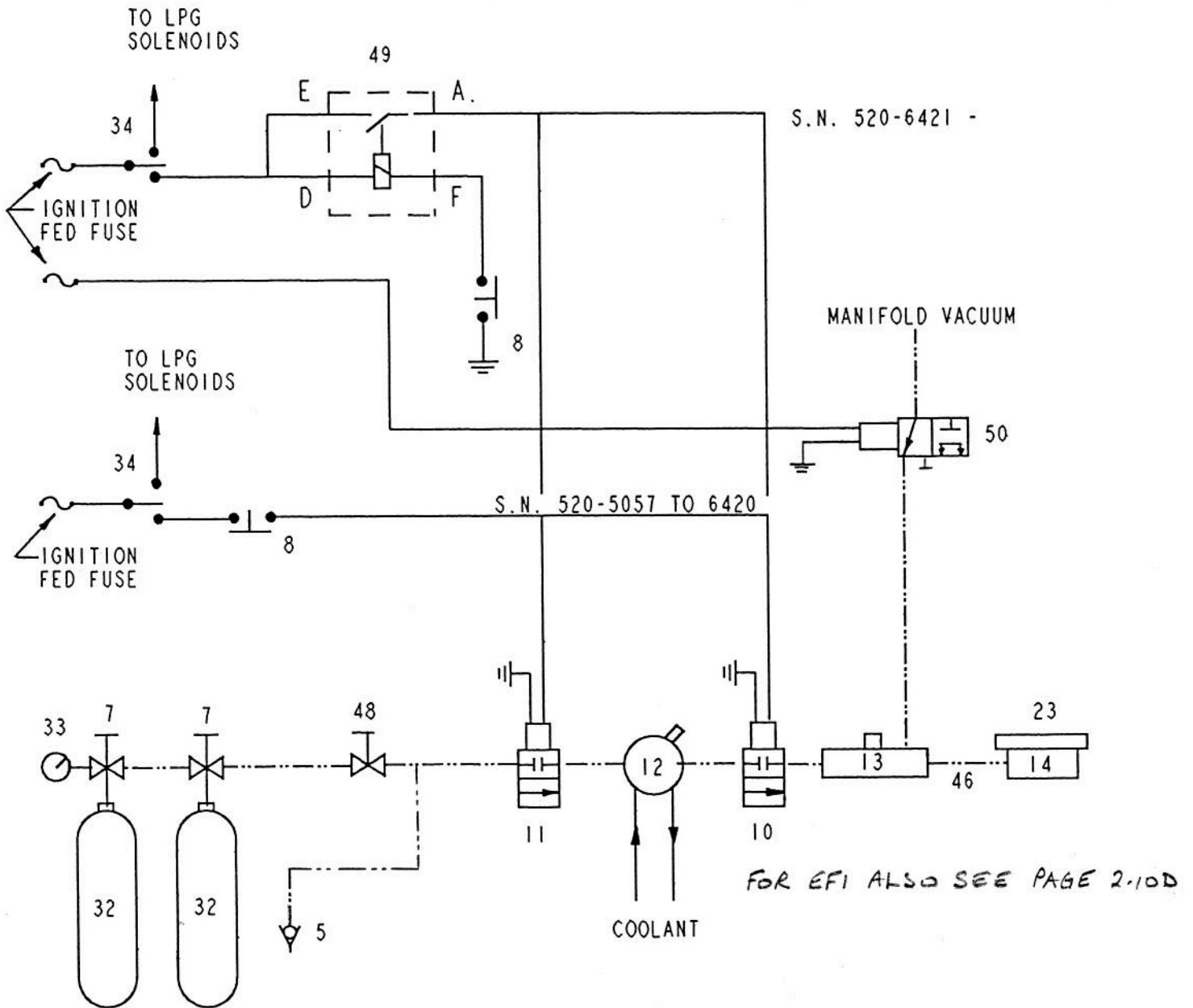
Group 1.80 LPG FUEL SYSTEM

IND	PART NO.	DESCRIPTION	QTY	S/N RANGE
64	FP-0203A	ELBOW 90° 1/8 NPT x 3/16 HOSE BARB	1	5259-
65	4T-0099A	VACUUM LINE 5/32 ID	2'	5259-
66	3E-40480	VACUUM VALVE, IGNITION SHUTDOWN	1	5259-7297
	3E-40486	VACUUM VALVE, IGNITION SHUTDOWN	1	7298-
67	7D-10000	CAP, RUBBER, 5/32 ID x 5/16 OD x 5/8 LG	1	5259-
68	3F-0402C	COVER PLATE, FUEL PUMP OPENING	1	3408-5258
69	2D-0400A	GASKET, FUEL PUMP OPENING	1	3408-5258
	KZ-0048C	CROSSOVER VALVE KIT (Items 7,10,11A,13,14,57)	1	OPT

**** Z A M B O N I 520 ****

CONSOLIDATED PARTS LIST

Group 1.90 CNG DEDICATED OR CNG/LPG DUAL FUEL SYSTEM



**** Z A M B O N I 5 2 0 ****

CONSOLIDATED PARTS LIST

Group 1.90 CNG DEDICATED OR CNG/LPG DUAL FUEL SYSTEM (NON EFI)

IND	PART NO.	DESCRIPTION	QTY	S/N RANGE
------------	-----------------	--------------------	------------	------------------

NOTE: FOR EFI CERTIFIED ENGINES – SEE FORD MANUAL FOR CARB COMPONENTS.

1	1M-0520A	STRAP, VERTICAL TANK	1	5057-
2	27-2008A	CLAMP, STAINLESS STEEL HOSE, WORM, SIZE 8	8	5057-
3	27-2016A	CLAMP, STAINLESS STEEL HOSE, WORM, SIZE 16	4	5057-
4	27-3000T	CLAMP, STEEL LOOM TYPE VINYL INSULATED 3/8" ID	7	5057-
5	2V-95000	VALVE, FILL (Sherex SG-3040-T)	1	5057-5761
	2V-95040	VALVE, FILL (Staubli)	1	5762-
	F6-17900	BULKHEAD ADAPTER, CNG RECEPTICLE TO 1/4" TUBE	1	5057-
	2E-0110B	"O" RING (Staubli and Sherex Valve, #110 Buna"N" 90 Duro.)	1	5762-
	2V-95045	DUST BOOT FOR FILL VALVE (Staubli)	1	5762-
6	2V-95010	VALVE, CNG FILL PRESSURE TIGHT CAP	1	5057-5761
7	2V-95030	VALVE, 90° 1120S-EW (NPT THD.) FUEL CYLINDER	2	5057-
8	3E-40450	SWITCH, VACUUM SAFETY (Gann 140-10, Sub 3E-4045K))	1	5057-6420
	3E-4045K	MICROVAC SAFETY SWITCH KIT (Replaces 3E-40450)	1	
	3E-40455	MICROVAC SAFETY SWITCH (Beam 1501-L)	1	6421-
	46-95136	MICROVAC SWITCH MT. BKT	1	6421-
9	3E-40480	SOLENOID, VAC. CONTROL (VCS) 23600-50 SERIES 50	2	5057-
10	3F-7246A	SOLENOID, LOK-OFF (Low Pressure)	1	5266-
11	3F-72490	VALVE, HIGH PRESSURE FUEL SHUT-OFF (Landi-Renzo)	1	5057-
12	3F-72550	CNG HIGH PRESSURE REGULATOR HPR 3000R	1	5057-6416
	3F-72555	CNG HIGH PRESSURE REGULATOR HPR 3600	1	6417-
13	3F-72560	CNG SECONDARY REGULATOR PEV-1 (1, 1/8 NPT Port in Cover)	1	5057-6420
	3F-7256A	CNG SECONDARY REGULATOR PEV-1 (2, 1/8 NPT Ports in Cover)	1	6421-
	3F-8120A	PEV1-8 (Ford Certified Engine, Consult Factory)	1	8168-
	3F-72566	REPAIR KIT FOR PEV-1 (Impco RK-PEV)	1	
14	3F-72570	MIXER, LPG, FOR FEEDBACK SYSTEM FB-125-M2	1	5057-
	3F-8104A	MIXER (Ford Certified Engine, Consult Factory)	1	8168-
	3F-6260G	AIR GAS VALVE & DIAPHRAGM, FEED BACK (AV1-1447-2)	1	5057-
15	KV-1194A	SPRING, THROTTLE BODY RETURN, 5/16" SHAFT (Note: KV-1194A not used on machines with electronic governors.)	1	5057-
16	3F-8002A	ASSEMBLY, THROTTLE BODY 5/16" SHAFT	1	5057-
17	3F-8013A	HOSE, CHROME "Y" FOR WATER 5/8" OD HEATER	2	5057-
18	3F-8014A	ELBOW, 90° 1" MALE HOSE BARB x 1/2" NPT MALE	1	5057-
19	3F-8014N	ELBOW, 90° ADJ. 5/8" MALE HOSE BARB x 1/2" NPTM	1	5057-
20	3F-8026N	TEE, 1" HOSE BARB x 1" HOSE x 5/8" HOSE BARB	1	5057-
21	3F-8027F	FITTING STR, ZINC, 1" MALE HOSE BARB x 1" NPT MALE	1	5057-
22	3F-80500	GASKET MIXER TO AIR CLEANER IMPCO 125 (G1-66)	1	5057-
23	3R-0401A	ASSEMBLY, PROPANE AIR CLEANER	1	5057-
	3R-0520E	AIR CLEANER ASS'Y (1 Piece EFI Certified Only)	1	8168,
24	46-05209	TRAY, SINGLE PROPANE TANK SUPPORT 520 ONLY	1	5057-
25	46-05600	CNG VERTICAL TANK WELDMENT MT BKT	1	5057-
26	46-95000	FUEL CYLINDER SADDLE MOUNT BKT (CNG Tank)	4	5057-
27	46-95020	FUEL CYLINDER BKT STRAPS ASS'Y (CNG Tank)	4	5057-
28	46-95130	BRACKET, CNG COMPONENTS MOUNT 520	1	5057-
29	4T-0099A	HOSE, 5/32" ID VACUUM	2	5057-
30	4X-8807A	BUSHING, SNAP	1	5057-
31	59-05000	1/4" OD x .035 WALL 316 S/S TUBE 20' LENGTHS	30	5057-
32	7A-95100	60 L. FUEL CYLINDER 12x39 (138#, 3000 PSI)	1	5057-
33	7K-95010	GAUGE 2.5" DIA 1/4" BACK, S/S 0-5000 PSI	1	5057-
34	7P-77360	ROCKER SW COLE H. SPDT PLAIN BLACK	1	5057-
35	F2-69080	ELBOW	1	5057-
36	F2-75100	ELBOW, 45° MALE PIPE (NPFT)	1	5057-
37	F6-14040	1/4" TUBE TEE 316 S/S	2	5057-
38	F6-17440	1/4" NPT MALE-1/4" TUBE STR 3 LB S/S 4CM4-316	3	5057-
39	F6-18440	1/4" NPT MALE-1/4" TUBE 90° 316 S/S 4LM4-316	2	5057-
40	FL-18062	1/4" NPT PLUG 316 S/S	1	5057-
41	FL-62420	1/4" NPT HEX NIPPLE 316 S/S	2	5057-
42	FL-64040	3/8" NPT FEMALE-1/4" NPT MALE BUSHING 316 S/S	1	5057-
43	FW-41020	FITTING, VACUUM TEE (3 Line) CNG/LPG ONLY (Intake Manifold)	1	5057-
	FP-0303A	5/32 VACUUM TEE (Dual Fuel Only)	1	5259-
44	FW-67105	ELBOW, 90°, 1/4" NPTM x 1/4" NPTF, BRASS	1	5057-

**** Z A M B O N I 520 ****

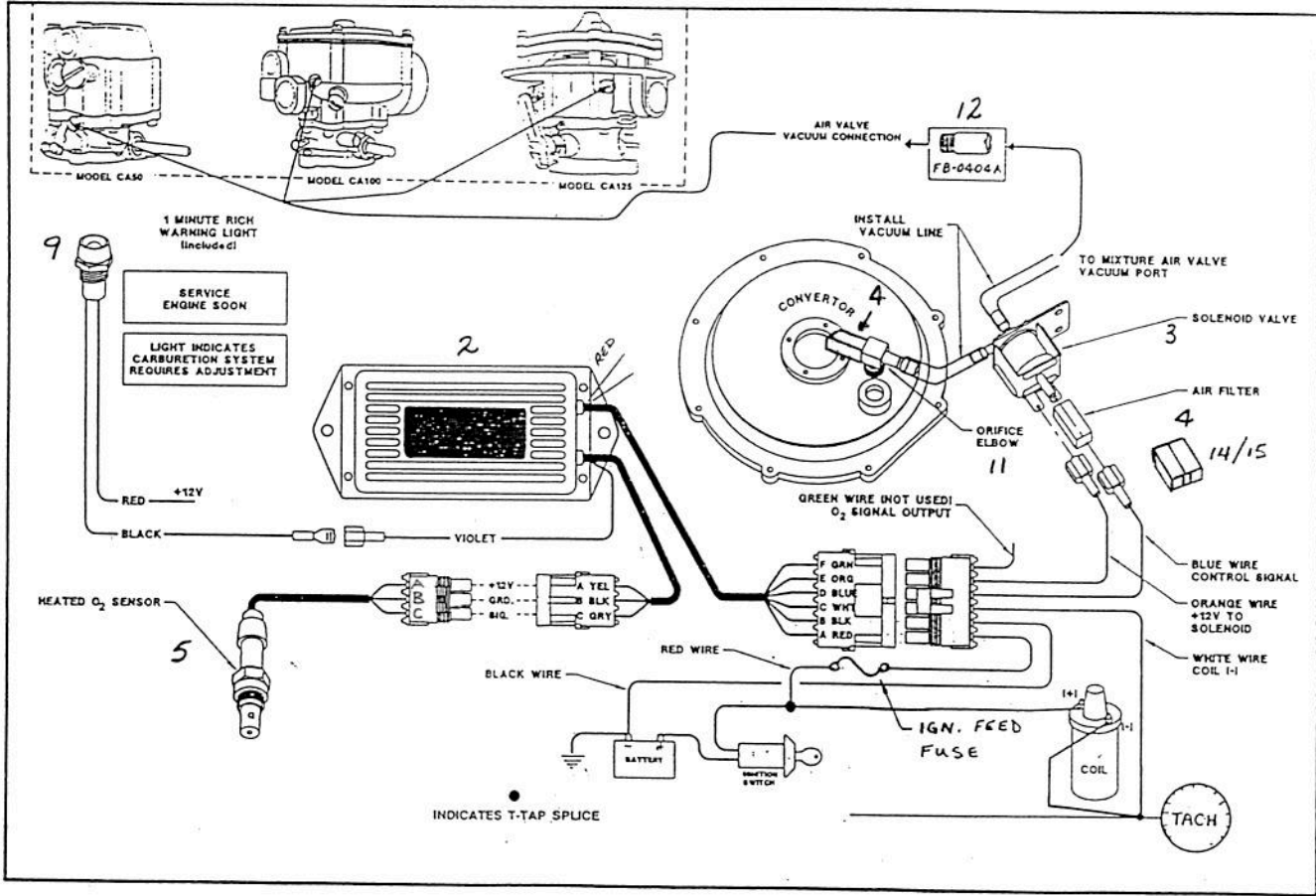
CONSOLIDATED PARTS LIST

Group 1.90 CNG DEDICATED OR CNG/LPG DUAL FUEL SYSTEM (NON EFI)

IND	PART NO.	DESCRIPTION	QTY	S/N RANGE
45	RH-3000A	HEATER HOSE, 5/8" ID	4	5057-
46	RL-5000A	HOSE, PROPANE VAPOUR, 1"	2	5057-
47	46-95135	COVER PLATE, CNG COMPONENTS	1	5467-
48	2V-95170	BALL VALVE 316 S/S 1/4 TURN C/W 1/4" TUBE FITTINGS	1	5440-
49	3E-0520A	RELAY	1	6421-
50	3E-40480	VACUUM VALVE, IGNITION SHUTDOWN	1	6421-7731
51	5P-0203A	ELBOW 90°, 1/8 NPT x 3/16 HOSE BARB	1	6421-

CONSOLIDATED PARTS LIST

Group 2.00 LAMBDA FUEL MANAGEMENT SYSTEM (LPG & CNG, Optional)



*** * Z A M B O N I 520 * ***

CONSOLIDATED PARTS LIST

Group 2.00 LAMBDA FUEL MANAGEMENT SYSTEM (LPG & CNG, Optional)

IND	PART NO.	DESCRIPTION	QTY	S/N RANGE
1	27-0200H	CLAMP, NYLON HOSE 7/16 (Heyco)	2	5049-
2	3E-40470	FUEL CONTROL PROCESSOR ANALOGUE	1	5049-5284
	3E-4047Z	FUEL CONTROL PROCESSOR ANALOGUE MODIFIED	1	5286-5457
	3E-59530	FUEL CONTROL PROCESSOR DIGITAL	1	5458-
3	3E-40480	SOLENOID, VAC. CTRL (VCS) 23600-50 SERIES 50	1	5049-
	3E-40480	SOLENOID, VAC. CTRL (VCS) 23600-50 (Dual LPG&CNG)	2	5049-
	3E-4048K	SOLENOID, VAC CONTROL KIT (Items 3 &4)	1	OPT
4	3E-40481	AIR FILTER FOR SOLENOID VALVE	2	5049-
	3E-40481	AIR FILTER FOR SOLENOID VALVE (Dual LPG & CNG)	3	5049-
5	3E-40490	OXYGEN SENSOR (Titania, 3 Wire)	1	5049-5751
	3E-4049A	OXYGEN SENSOR (Zirconium, 1 Wire c/w 3 Wire Plug)	1	5752-6127
	3E-4049B	OXYGEN SENSOR (Zirconium, 3 Wire c/w Plug)	1	6128-
6	4T-0100A	VACUUM HOSE 7/32 ID	2'	5049-6974
	4T-0099A	VACUUM HOSE 5/32 ID	2'	6975-
7	75-40440	15' LG PROCESSOR & OXYGEN SENSOR MAIN HARNESS	1	5049-
9	7L-40440	RICH WARNING LIGHT	1	5049-
10	82-0440A	DECAL RICH RUNNING WARNING	1	5049-
11	FP-0204B	ELBOW, USE FP-0204A & DRILL .078 HOLE (7/32 V. Hose)	1	5049-6974
	FP-0203B	ELBOW, USE FP-0203A & DRILL .078 HOLE (5/32 V. Hose)	1	6975-
12	FP-0404A	SCREW, BRASS FOR CARBURETOR	1	5049-
13	HM-26016	HEX LOW NUT 18MM x 1.5MM PITCH (Welded to Exhaust Pipe)	1	5049-
14	74-40480	PLASTIC TWIN TERMINAL CONNECTOR (For Vacuum Sw.)	1	6438-
15	74-40485	TERMINAL, 1/4" FEMALE, BARE	2	6438-
		OPTIONAL TEST AND SET-UP METER		
20	7K-40410	MIXER MONITOR	1	5049-
21	75-40420	MIXER MONITOR, ADAPTOR CABLE	1	5049-

NOTE: Accessory wire 75-15215 must be installed on all LSG-423 Ford engines when using Lambda Fuel Management Systems. See Electrical Dwg. 520-3408 to 5258.

VACUUM HOSE COLOUR CODE IDENTIFICATION STARTED AT 5454

YELLOW TAPE = LPG SYSTEM RELATED

BLUE TAPE = CNG SYSTEM RELATED

RED TAPE = LPG SHUTDOWN ON IGNITION OFF

GREEN TAPE = LAMBDA FUEL PROCESSOR; SINGLE FUEL

GREEN/YELLOW = LAMBDA FUEL PROCESSOR LPG, DUAL FUEL

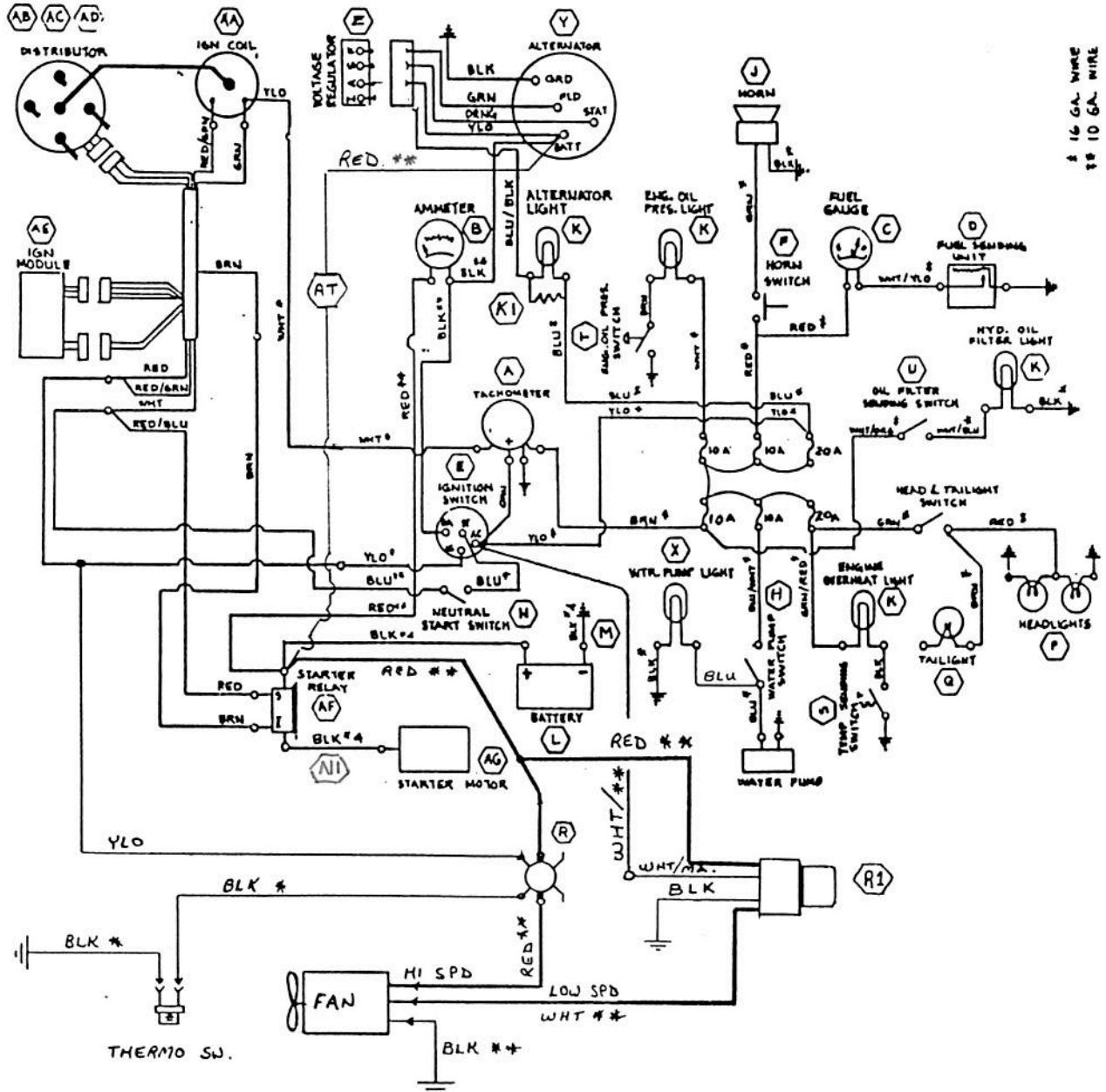
GREEN/BLUE = LAMBDA FUEL PROCESSOR CNG, DUAL FUEL

FW-41010	MANIFOLD VACUUM TEE 1/4 NPT x 3/16 x 3/16 BARB	1	
----------	--	---	--

CONSOLIDATED PARTS LIST

GROUP 2.10 ELECTRICAL

S.N: 3408-3877



* * Z A M B O N I 5 2 0 * *

CONSOLIDATED PARTS LIST

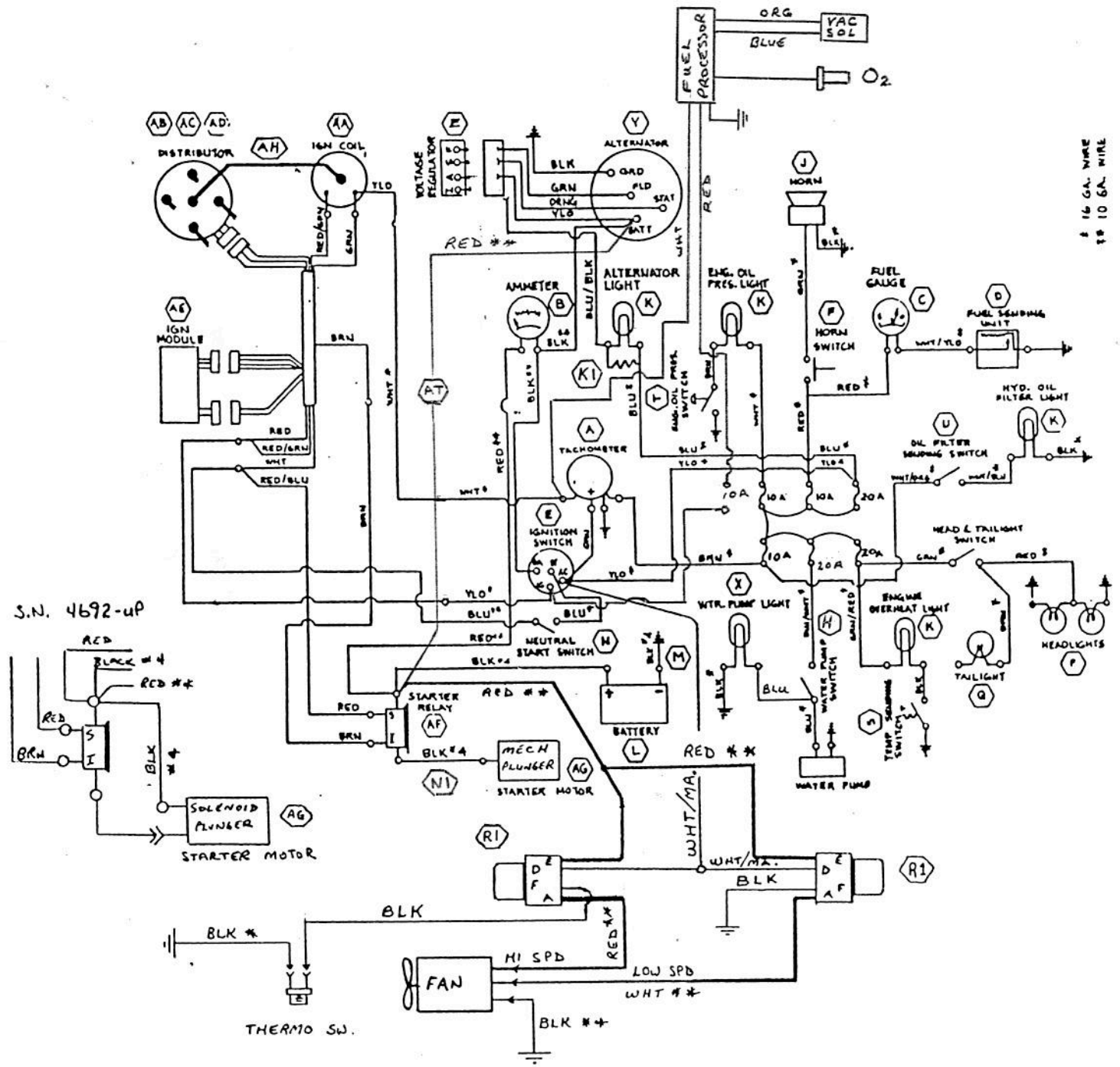
Group 2.10 ELECTRICAL

IND	PART NO.	DESCRIPTION	QTY	S/N RANGE
A	7K-7727A	TACH/HOUR METER (LSG-423, 3" Dia.)	1	3408-5258
	7K-77280	TACH/HOUR METER, 1 WIRE LIGHT (LRG-423 & 425, 3" Dia.)	1	5259-7310
	7K-7728A	TACH/HOUR METER, 2 WIRE LIGHT (LRG-423 & 425, 3" Dia.)	1	7311-7337
	7K-7728A	TACH/DIGITAL HOUR, 2 WIRE LIGHT (LRG-423&425, 3" Dia.)	1	7338-
	7K-9005B	TACH LIGHT ASS'Y LONG, 1 WIRE (For 7K-7727A & 280)	1	3408-7311
	7K-9008A	LIGHT ASS'Y, 2 WIRE (For 7K-7728A)	1	7311-
B	7K-78640	AMMETER (Unlighted) 2" DIA.	1	3408-4239
B1	7K-9004A	AMMETER (Lighted) 2-1/32" DIA.	1	4240-6039
	7K-9005A	LIGHT ASS'Y SHORT. 1 WIRE (For 2-1/32" GA,7K-9001A to 7A)	1	
C	7K-36420	GAUGE, GASOLINE FUEL (Unlighted) 2" DIA.	1	3408-4239
C1	7K-9003A	GAUGE, GASOLINE FUEL (Lighted) 2-1/32" DIA.	1	4240-
D		GASOLINE SENDING UNIT, FUEL IND (See Group 1.70)		
E	7P-77260	IGNITION SWITCH 3/4 PILOT (Std Plus # US14)	1	3408-4679
	7P-04400	IGNITION SWITCH 7/8 PILOT (Bosch)	1	4680-
	7P-04410	KEY BLANK FOR BOSCH SWITCH	1	
F	7P-76370	HORN SWITCH (Round)	1	3408-5281
	7P-76369	HORN SWITCH (Square)	1	5282-
G	7P-40340	LIGHT SWITCH (Push/Pull)	1	3408-5281
	7P-77350	LIGHT SWITCH, ROCKER	1	5282-
H	7P-75980	SWITCH, WATER PUMP (Push/Pull)	1	3408-5281
	7P-77370	SWITCH, RED LIGHTED ROCKER	1	5282-
H1	78-77540	DIODE ASSEMBLY	3	5282
	4B-80030	KNOB, WATER PUMP SWITCH	1	3408-
J	7X-10420	HORN, VEHICLE WARNING	1	3408-
	HA-06009	SCREW, HEX HD, 1/4-20 x 3/4	2	3408-
	HA-06981	LOCKNUT, HEX, 1/4-20	2	3408-
	78-77420	FUSE HOLDER	6	3408-
	78-77520	FUSE, 20 AMP	2	3408-
	78-77530	FUSE, 10 AMP	4	3408-
K	7L-78170	ASSY, INDICATOR LAMP, W/BULB & RED LENS	4	3408-6916
	7L-7845A	BULB, INDICATOR LAMP (For 7L-78170, Glass Base)		3408-6916
	7L-78460	ASS'Y, INDICATOR LAMP, W/BULB & RED LENS	3	6917-
	7L-78462	BULB, INDICATOR LAMP FOR 7L-78460	3	6917-
K1	7L-1000A	RESISTOR ASSY 500 OHM, 1/2 WATT	1	3873-5258
	7L-1000B	RESISTOR ASSY 500 OHM, 1 WATT	1	5259-
L	77-75230	BATTERY, 12V	1	3408-
M	75-76540	CABLE, BATTERY (Neg), 18" BLACK	1	3408-
N	75-17990	CABLE, BATTERY (Pos), 30" BLACK	1	3408-
	75-1799A	INSULATOR BOOT, BATTERY (Pos), TERM, RED	1	6424-
N1	75-1030B	CABLE, STARTER (Pos), 24" BLACK	1	3408-
P	7L-17970	HEADLAMP ONLY	2	3408-
	7L-17971	HEADLAMP ASSEMBLY COMPLETE	2	3408-
	1L-18980	SPRING, HEADLAMP RETAINING	4	3408-
Q	7L-17780	TAIL LAMP	1	3408-
R	3C-0021A	SOLENOID (Fan, On, Off) HIGH SPEED (Cole-Hersee)	1	3408-3877
R	3E-0520A	RELAY (Fan, On, Off) LOW SPEED	1	3828-3877
R1	3E-0520A	RELAY (Fan LOW Speed & HI Speed)	2	3878-
	5T-0520H	FAN RELAY & START SOL. MT. BKT.	1	3828-6421
	3C-0033A	FAN RELAY & START SOL. MT. BKT.	1	6422-
	75-5200G	GROUND WIRE, FAN RELAY MT. BKT.	1	6422-
R2	3C-0522K	FAN RESISTOR KIT	1	OPT.
	3C-05220	FAN RESISTOR	1	7338-
	3C-05225	FAN RESISTOR MOUNTING BKT.	1	7338-
	75-5200J	FAN RESISTOR WIRE (Low Speed, White Middle Wire)	1	7338-
	NOTE:	RETROFITTED TO SOME EARLIER MACHINES		

CONSOLIDATED PARTS LIST

GROUP 2.10 ELECTRICAL

S.N: 3878-5258



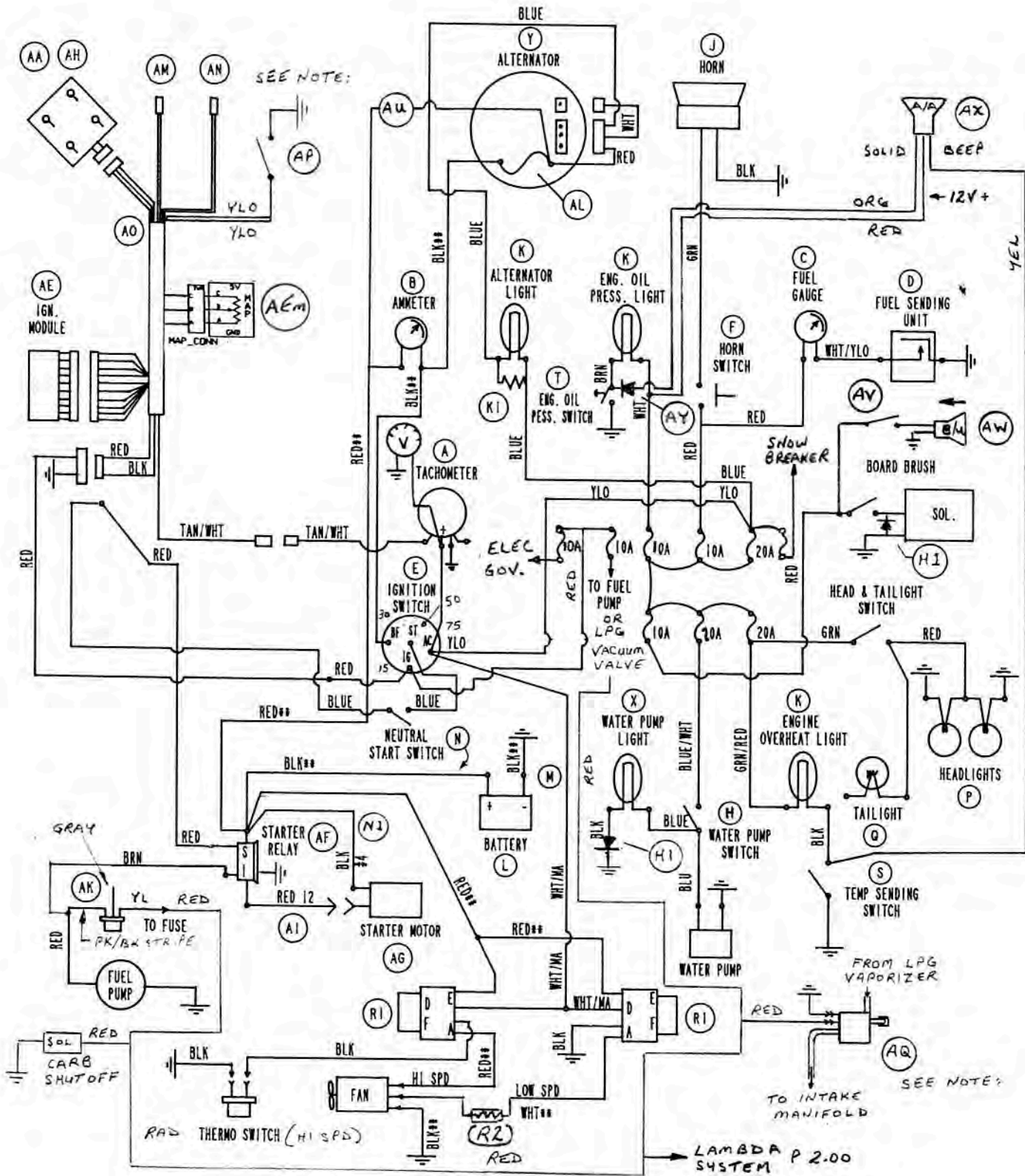
S.N. 4692-4P

**** ZAMBONI 520 ****

CONSOLIDATED PARTS LIST

Group 2.10 ELECTRICAL

Serial Number Range: 5259-



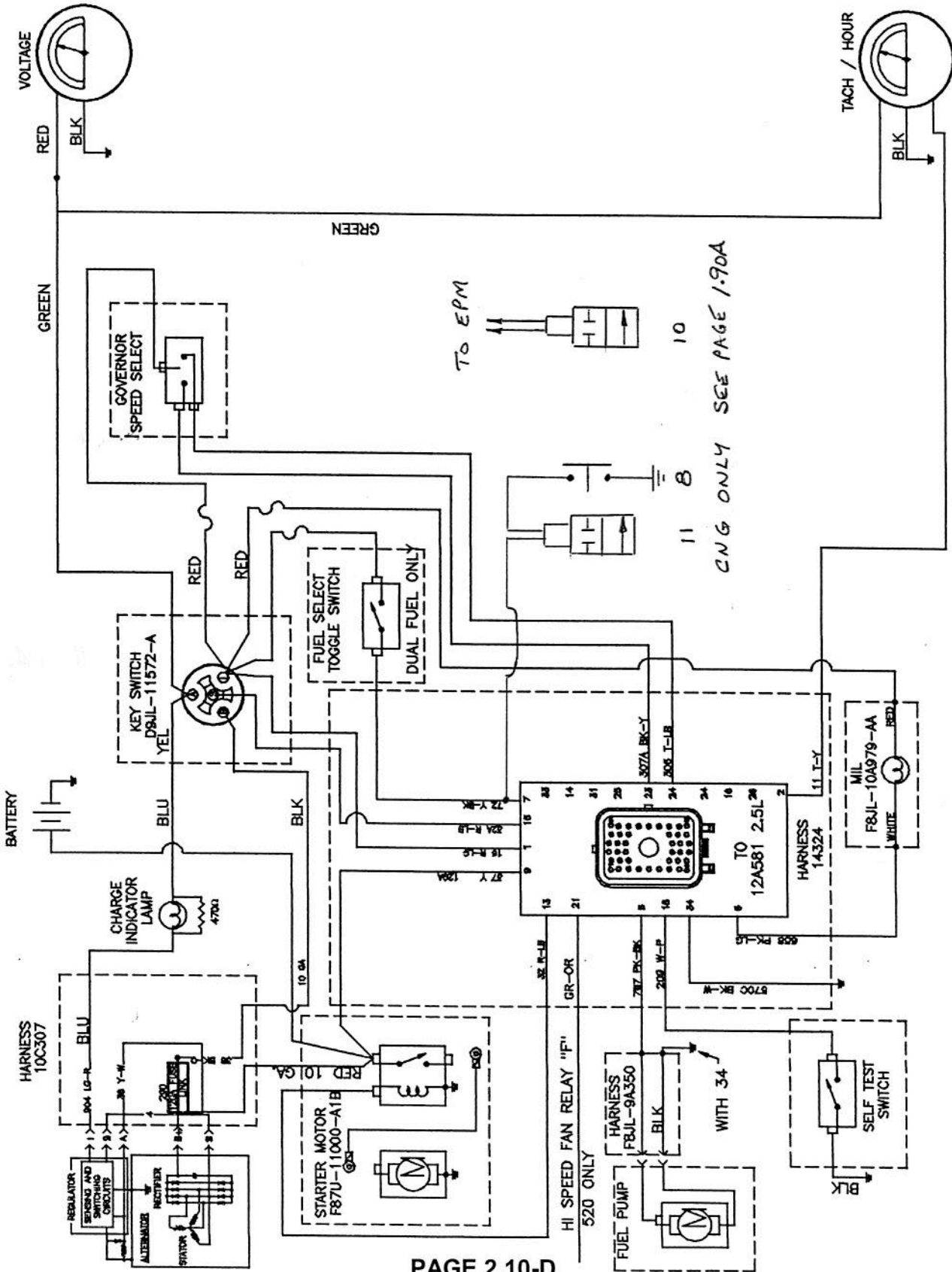
12/02 7/07
7109
2/86

**** ZAMBONI 520 ****

CONSOLIDATED PARTS LIST

Group 2.10 EFI ENGINE ELECTRICAL HARNESS

Serial Number Range: 8124, 8152, 8168



CNG ONLY SEE PAGE 1.90A

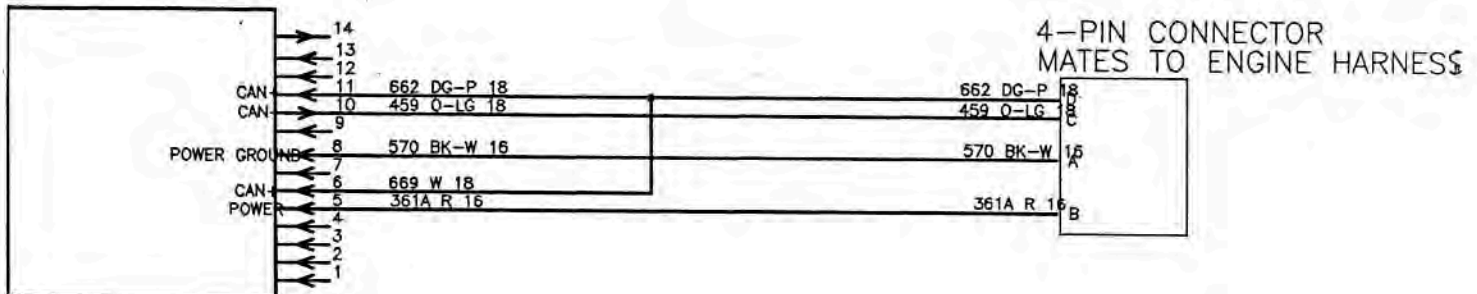
**** Z A M B O N I 520 ****

CONSOLIDATED PARTS LIST

Group 2.10 EFI LPG OR CNG MEGAJECTOR ELECTRICAL HARNESS

Serial Number Range: 8152,

14-PIN CONNECTOR
MATES TO MEGAJECTOR



**** Z A M B O N I 520 ****

CONSOLIDATED PARTS LIST

Group 2.10 ELECTRICAL

IND	PART NO.	DESCRIPTION	QTY	S/N RANGE
S	3C-0400T	SWITCH, WATER TEMP SENDER 225 °F (LSG & LRG 423&425)	1	3408-
S1	7K-9001A	OPTIONAL GAUGE WATER TEMP LIGHTED 2-1/32" DIA.	1	4240-5281
S2	7K-9001B	OPTIONAL TEMP SENDING UNIT (For 7K-9001A Only)	1	4240-5281
	7K-50050	TEMP. SENDER FOR 3 IN 1 & 4 IN 1 GAUGE	1	5282-
T	3L-0400P	SWITCH, OIL PRESSURE (LSG & LRG-423 & 425)	1	3408-
T1	7K-9002A	OPTIONAL GAUGE OIL PRESS. LIGHTED 2-1/32" DIA. SEE OPTIONS PAGE 2.10-3	1	4240-5281
T2	7K-9002B	OPT.OIL PRESS. SENDING UNIT SWITCH(For 7K-9002A)	1	4240-5281
	7K-50060	OIL PRES. SENDER FOR 3 IN 1 & 4 IN 1 GAUGE	1	5282-
U		SEE HYDRAULIC FILTER		
V	75-5200A	FAN MOTOR WIRING HARNESS	1	3408-3877
	75-5200C	FAN WIRING HARNESS & PLUG LOW SPEED	1	3828-3877
	75-5200E	FAN WIRING HARNESS & PLUGS (Hi & Low Speed)	1	3878-
W	75-5200B	THERMO SWITCH WIRING HARNESS	1	3408-3877
	75-5200F	THERMO SWITCH WIRING HARNESS	1	3878-
	75-5200H	WIRE ASS'Y (For Conv. 3408-3877 Fan Wiring to 2 Relay Style)	1	OPT
X	7L-11760	ASSY, INDICATOR LAMP W/BULB & GREEN LENS	1	3408-5281
	75-15200	WIRING HARNESS, BODY & ENGINE (LSG-423)	1	3408-5258
	75-15230	WIRING HARNESS, BODY & ENGINE (LRG-423 & 425)	1	5259-
	75-15340	WIRING HARNESS (Instrument Panel, LSG & LRG-423)	1	3408-6147
	75-15345	WIRING HARNESS (Instrument Panel, LRG-423 & 425)	1	6148-
	75-15210	WIRING HARNESS (Alternator, LSG-423)	1	3408-5258
Y	3E-0400E	ALTERNATOR (40 Amp, LSG-423)	1	3408-3827
	3E-0410E	ALTERNATOR (60 Amp, LSG-423)	1	3828-5258
	3E-0440E	ALTERNATOR (95 Amp, LRG-423 & 425)	1	5259-
	3E-0440A	VOLTAGE REGULATOR (LRG-423 & 425) MT. ON ALT.	1	5259-
Z	3E-0400A	VOLTAGE REGULATOR (LSG-423)	1	3408-5258
AA	3E-0400F	IGNITION COIL (LSG-423)	1	3408-5258
	3E-0440F	IGNITION COIL PACK (LRG-423 & 425)	1	5259-
AB	3E-0400J	DISTRIBUTOR, LESS CAP & ROTOR	1	3408-5258
AC	3E-0400K	DISTRIBUTOR CAP	1	3408-5258
AD	3E-0400L	DISTRIBUTOR ROTOR	1	3408-5258
AE	3E-0400C	IGNITION MODULE (LSG-423)	1	3408-5258
	3E-0440C	IGNITION MODULE (LRG-423)	1	5259-6131
	3E-0441C	IGNITION MODULE (LRG-425)	1	6132-8398
	3E-0442C	IGNITION MODULE (LRG-425) (1UIL, 23 Pin)	1	8399-
AEM	3E-0442E	MAP SENSOR (LRG-425) (1UIL)	1	8399-
AF	3E-0400B	STARTER RELAY	1	3408-
AG	3E-0400H	STARTER MOTOR (Mech. Plunger)	1	3408-4691
	3E-04010	STARTER MOTOR (Solenoid Plunger, Stud Blade Term)	1	4692-6131
	3E-04020	STARTER MOTOR (Solenoid Plunger, All Stud Term)	1	6132-
	3E-04011	STARTER BENDIX (For 3E-04010 & 3E-04020)		
AH	3E-0400M	WIRE SET, SPARK PLUG & COIL (LSG-423)	1	3408-5258
	3E-0440M	WIRE SET, SPARK PLUG & COIL (LRG-423 & 425)	1	5259-
	* 3E-0440N	WIRE SET, SPARK PLUG & COIL (2.5 EFI Only)	1	
AI	75-15220	WIRE (Starter Relay to Starter Sol., LSG & LRG-423)	1	set 4692-6131
	75-15221	WIRE (Starter Relay to Starter Sol.) (2, Eyelet)	1	6132-
AJ	3E-0400N	SPARK PLUGS (LSG & LRG-423 & 425)	1	3408-
AK	3L-0440P	SWITCH, LOW OIL PRES./FUEL PUMP SHUTDOWN	1	5259-5283
	3L-0441P	SWITCH, LOW OIL PRES./FUEL PUMP SHUTDOWN	1	5284-
	75-0441P	CONNECT./HARN,LOW OIL PRES/FUEL PUMP SHUTDOWN	1	5284-
AL	78-77440	6" FUSIBLE LINK 12GA/GREY (LRG-423 & 425)	1	5259-
AM	3E-0440W	CRANKSHAFT POSITION SENSOR (LRG-423 & 425)	1	5259-
AN	3C-0440T	SENSOR, EEC COOLANT TEMP (LRG-423 & 425)	1	5259-
AO	3E-0400D	WIRING HARNESS, ENGINE IGNITION (LSG-423)	1	3408-5258
	3E-0440D	WIRING HARNESS, ENGINE IGNITION (LRG-423)	1	5259-6131
	3E-0441D	WIRING HARNESS, ENGINE IGNITION (LRG-425)	1	6132-8398
	3E-0442D	WIRING HARNESS, ENGINE IGNITION (1UIL, 23 Pin, Ver 1)	1	8399-8439
	3E-0442D	WIRING HARNESS, ENGINE IGNITION (1UIL, 23 Pin, Ver 2)	1	8440-

**** Z A M B O N I 520 ****

CONSOLIDATED PARTS LIST

Group 2.10 ELECTRICAL

IND	PART NO.	DESCRIPTION	QTY	S/N RANGE
AP	7P-04230 NOTE:	IDLE TIMING ADVANCE SWITCH (LRG-423) Idle timing advance switch used on gasoline machines only. Advances timing at "idle only". Pins 6 & 7 are grounded at idle only. Not used on LPG or CNG fuelled machines.	1	5281-6131
AQ	7P-04232 3E-40480 3E-40486 75-15239 NOTE:	IDLE TIMING ADVANCE SWITCH MT BKT (LRG-423) VACUUM VALVE, SOLENOID OPERATED (LRG-423) VACUUM VALVE, SOLENOID OPERATED (LRG-423 & 425) GROUND WIRE, IGNITION SHUTDOWN (LPG Only) Above vacuum valve is used on LPG machines only and is designed to shut off fuel vapour when ignition key is turned off. The valve is energized on start-up and during running, preventing vacuum from being applied to diaphragm of LPG fuel vaporizer. Upon turning engine off, vacuum is allowed to be applied to the LPG fuel vaporizer diaphragm, lifting it and preventing fuel vapour from entering the carburetor as engine is winding down.	1 1 1 1	5259-6131 5259-7297 7298- 5259-
AR	7P-7962A	NEUTRAL START SWITCH	1	3408-
AS	75-66980	GROUND STRAP 14", ENGINE TO CHASSIS	1	5428-
AT	75-15215	BYPASS WIRE (Ammeter) USED ON ALL LSG-423 ENGINES EQUIPPED WITH LAMBDA FUEL MANAGEMENT SYSTEMS	Opt.	3408-5258
AU	NPN	STARTER RELAY TO ALT STUD ADDED WHEN AMMETER AND ITS ORIGINAL FEED WIRE WERE ELIMINATED.		6040-
BA	* 3E-4051A	O2 SENSOR, FRONT (LPG 425 EFI Only)	1	OPT
BB	* 3E-4052A	O2 SENSOR, REAR (LPG 425 EFI Only)	1	OPT

NOTE: * See Cooling System Page

- For fan motor and thermo switch part no's, see cooling system.
- Fan motor is wired to run continuous on low speed from serial number 3828-up. Fan low speed turns on & off via the ignition switch accessory. For serial number 3827 down, low speed side of fan is not hooked-up. Retrofit is possible.

OPTIONAL:

	KZ-0220A	BACK-UP ALARM KIT	1	-7351
	KZ-0220B	BACK-UP ALARM KIT	1	7352-
AV	7P-0400B	BACK-UP ALARM SWITCH (Or Sub 7P-0520R)	1	-7351
AV	7P-0400E	BACK-UP ALARM SWITCH (Black Rectangle)	1	7352-
	7P-0520E	BACK-UP ALARM MT. BRKT.	1	7352-
AW	7X-0400B	BACK-UP ALARM HORN	1	
	7P-0520C	BACK-UP ALARM BRACKET	1	-7351
AX	7X-0500A	AUDIBLE ALARM BUZZER	1	
AY	7L-1010A	ZENER DIODE ASS'Y (Used on Audible Alarm)	1	5282-
	7K-50030	GAUGE, 3 IN 1 (Oil, Temp, Volt) (Beede Chrome, 3" Dia.)	1	5282-
	7K-50040	GAUGE, 4 IN 1 (Oil, Temp, Volt, Fuel) (Beede Chrome, 3" Dia.)	1	5282-
	7K-50050	TEMP SENDING UNIT (For 7K-50030 & 7K-50040) (100-240°F 3/8 NPT)	1	5282-
	3E-52000	RESISTOR FOR 7K-50030 & 7K-50040 WITH WATER TEMP SENDER 7K-50050 (100-240° F 3/8 NPT)	1	8166-
	7K-50060	OIL PRESS. SENDING UNIT (For 7K-50030 & 7K-50040) (0-80 PSI 1/8 NPT)	1	5282-
	7K-50015	LIGHT ASS'Y, NO WIRES (For 7K-50030 & 7K-50040)	1	5282-
	7L-50031	BULB, 3/8 WEDGE BASE (3"Dia. Gauges Using 2 Wire Light Ass'y)	1	
	7K-9006B	VOLTMETER (Lighted) 2-1/32 DIA.	1	5282-6039
		VOLTMETER (Lighted) 2-1/32 DIA. STD EQUIPMENT	1	6040-
	3E-95271	1/2" FIBRE LOOM COVER	1	5282-

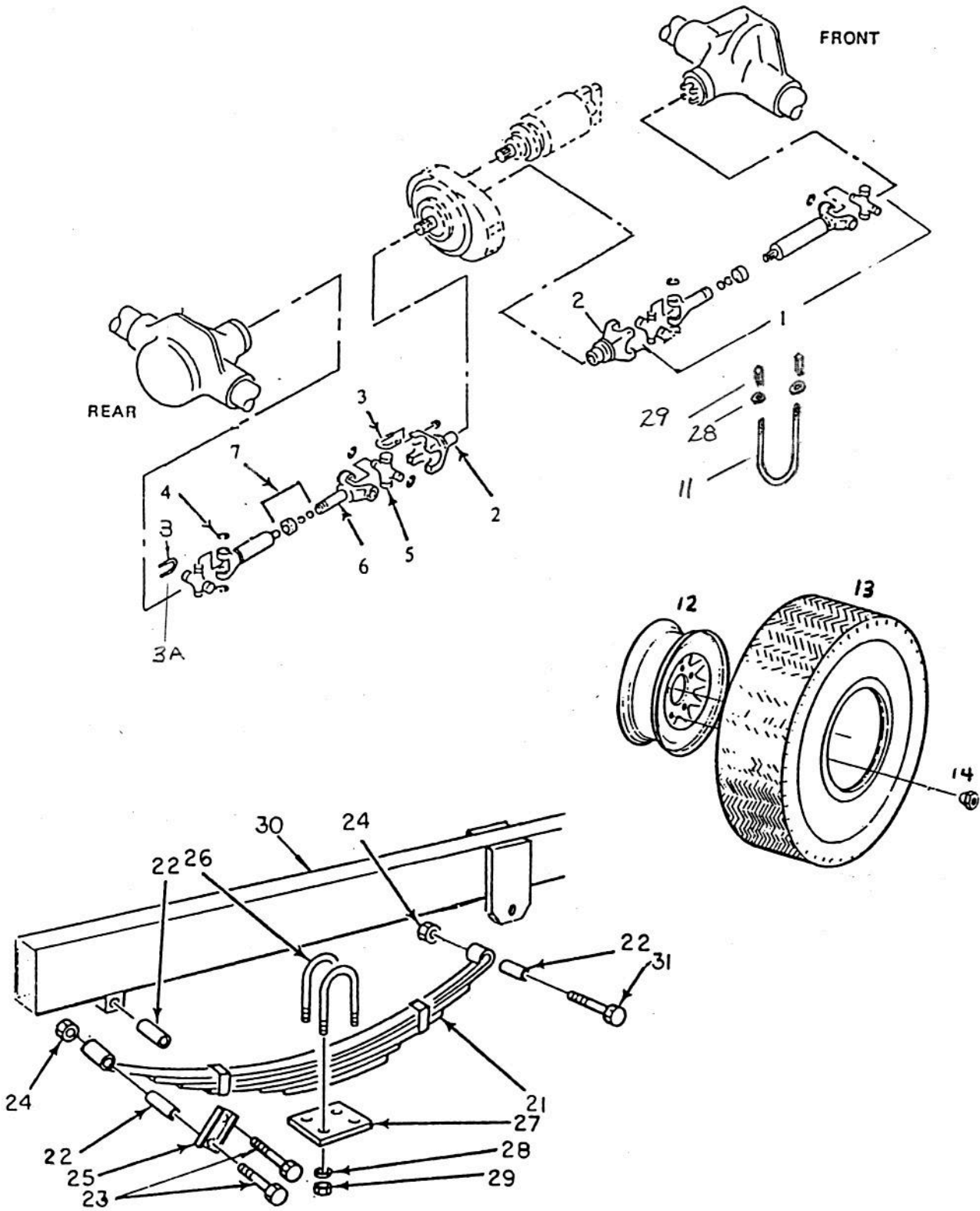
*

EFI FORD PARTS ONLY

**** ZAMBONI 520 ****

CONSOLIDATED PARTS LIST

GROUP 3.10 AXLES, DRIVE SHAFTS, WHEELS, TIRES, SUSPENSION



*** * Z A M B O N I 520 * ***

CONSOLIDATED PARTS LIST

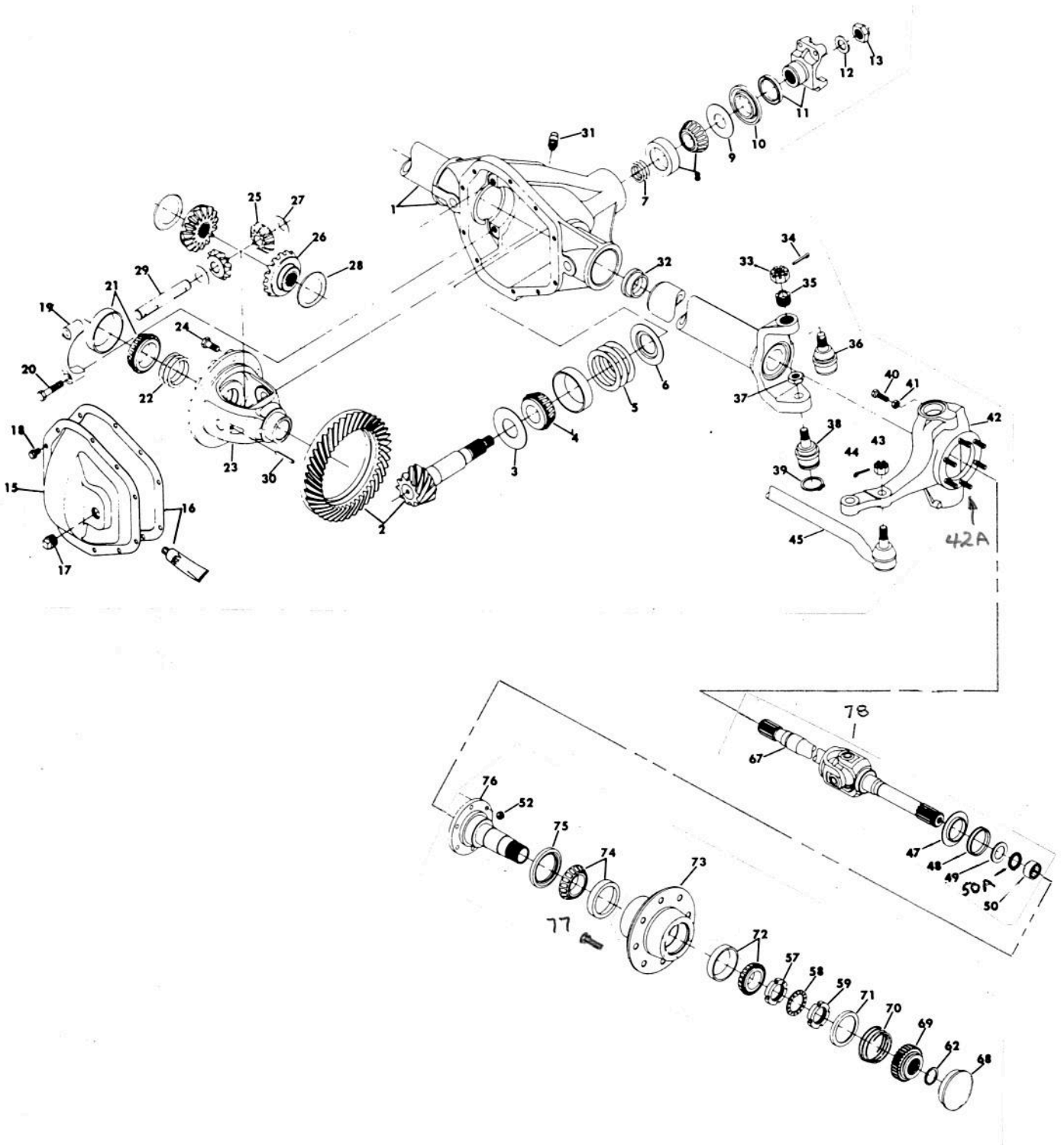
Group 3.10 AXLES, DRIVE SHAFTS, WHEELS, TIRES, SUSPENSION

IND	PART NO.	DESCRIPTION	QTY	S/N RANGE
	1	1H-16200	DRIVE SHAFT (Less End Yoke & U-Bolts)	2 3408-
	2	1H-74670	END YOKE, DRIVE SHAFT (Sub 1H-74680)	2 3408-3877
		1H-74680	END YOKE, DRIVE SHAFT (U-Bolt Style)	2 3888-7315
		HD-12862	FLAT WASHER, SPECIAL 7/16	2 3408-6063
		HD-12862	FLAT WASHER, SPECIAL 7/16	4 6064-
		HA-12862	LOCKWASHER, 7/16	2 3408-
		HA-12014	SCREW, HEX HD, 7/16-14 x 1-1/2 (Loc-tited)	2 3408-6063
		HA-12015	SCREW, HEX HD, 7/16-14 x 1-3/4 (Loc-tited)	2 6064-
	2A	1H-74690	END YOKE, DRIVE SHAFT (Strap Style)	2 7316-
	3	1L-73040	U-BOLT, NUT & WASHER	8 3408-6952
		1L-73040	U-BOLT, NUT & WASHER	6 6953-7315
	3A	1H-74695	BEARING STRAP & BOLT (Rear Axle Yoke)	2 6953-7315
		1H-74695	BEARING STRAP & BOLT (All Yokes)	8 7316-
	4	1F-73060	SNAP-RING	8 3408-
	5	1F-73050	CROSS BEARING	4 3408-
	6	1F-72950	SLIP TUBE YOKE	2 3408-
	7	1F-72970	DUST CAP ASS'Y	2 3408-
	11	1K-16470	U-BOLT, FRONT AXLE	4 3408-
	12	1B-0520W	WHEEL, WHITE (For Bias Ply Tire Only 15")	4 3408-4857
		1B-0520C	WHEEL, CHROME (For Bias Ply Tire Only 15")	1 OPT.
		1B-0521W	WHEEL, WHITE (For Radial or Bias Tires 15")	1 4858-4878
		1B-0521C	WHEEL, CHROME (For Radial or Bias Tires 15")	1 OPT.
		1B-1173A	WHEEL, MAG FIN TYPE (Use With Bias Ply Tires Only, Tubeless Wherever Possible 15")	1 OPT.
		1B-2600W	WHEEL, WHITE (Radial or Bias Ply 16")	4 4879-
		1B-2600C	WHEEL, CHROME (Radial or Bias Ply 16")	1 OPT.
	13	1B-41820	TIRE, C/W STUDS (Bias Ply 7:00x15 LT Summer Tread)	4 3408-3827
		1B-05200	TIRE, C/W STUDS (Bias Ply 7:00x15 LT Snow Tread)	4 3408-4857
		1B-05100	TIRE, C/W STUDS (7:00 x 15 LT Radial)	4 4858-4878
		1B-51722	TIRE, C/W STUDS (LT 215/85R16 Radial)	4 4879-
		1B-41822	TIRE, C/W STUDS (Bias Ply L78x15 LT Snow Tread)	4 OPT.
		1B-10000	STUD, TRACTION	A/R 3408-
		1B-73290	TUBE, TIRE SHORT STEM, 7:00 x 15	4 3408-3827
	14	HA-15989	LUG NUT FOR WHITE WHEEL	32 3408-
	15	HD-1600C	LUG NUT FOR CHROME WHEEL	32 3408-
	21	1L-75100	LEAF SPRING ASS'Y	2 3408-
	22	10-40500	BUSHING, SPRING SHACKLE	6 3408-
	23	HA-13020	SCREW, HEX HD, 7/16-20 x 3	4 3408-
	24	HA-13981	LOCKNUT, HEX, 7/16-20	6 3408-
	25	1M-40510	STRAP, SPRING SHACKLE	4 3408-
	26	1K-73360	U-BOLT	4 3408-
	27	1P-73340	PLATE, U-BOLT	2 3408-
	28	HA-14862	LOCKWASHER, 1/2	16 3408-
	29	HD-15981	NUT, SPECIAL HEX, 1/2-20	16 3408-
	30	1V-15010	CHASSIS	1 3408-
	31	HA-13022	SCREW, HEX HD, 7/16-20 x 3-1/2	2 3408-4309
	32	HL-13022	SCREW, HEX HD, 7/16-20 x 3-1/2 GRADE 8	2 4310-
	33	FD-04160	1/2" NPT 90° STREET ELBOW	1 4679-
	34	FD-04210	3/4" NPT 90° STREET ELBOW	1 4679-
			WITHOUT STREET ELBOW	
			AXLE OIL CAPACITY - FRONT	5 U.S. PTS, 2.2 LITRES
			AXLE OIL CAPACITY - REAR	7 U.S. PTS, 3.1 LITRES
			AXLE WEIGHT FRONT - 232 LB.	REAR - 285 LB.
			WITH STREET ELBOW	
				7.8 U.S. PTS, 3.5 LITRES
				9.1 U.S. PTS, 4.3 LITRES

**** ZAMBONI 520 ****

CONSOLIDATED PARTS LIST

Group 3.10 FRONT AXLE ASS'Y



**** ZAMBONI 520 ****

CONSOLIDATED PARTS LIST

Group 3.10 FRONT AXLE ASS'Y

IND	PART NO.	DESCRIPTION	QTY	S/N RANGE
AA	1D-16680	AXLE, ASS'Y, FRONT, INCL. HUBS (044BA103-1)		3408-
1	**	HOUSING-AXLE		3408-
2	*	GEAR & PINION ASS'Y-DRIVE (5.89 Ratio)		3408-
3	*	SLINGER PINION BEARING INNER		3408-
4	BO-5315V	KIT-INNER PINION BEARING	1	3408-
5	*	SHIM-DRIVE PINION ADJUSTING		3408-
6	*	BAFFLE-PINION BEARING		3408-
7	*	SHIM-PINION BEARING ADJUSTING		3408-
8	BO-5028V	KIT-OUTER PINION BEARING	1	3408-
9	*	SLINGER-PINION BEARING OUTER		3408-
10	2F-3250A	SEAL-PINION	1	3408-
11	1F-95510	END YOKE ASS'Y (Sub 1F-95515 & 2 1H-74695)	1	3408-7315
	1F-95515	END YOKE ASS'Y (Strap Style)	1	7316-
	1H-74695	BEARING STRAP AND BOLTS	2	7316-
12	HA-22861	WASHER-PINION NUT	1	3408-
13	HA-23981	NUT-PINION	1	3408-
15	1F-95540	COVER-CARRIER W/PLUG		3408-
16	1F-94460	GASKET-CARRIER COVER	1	3408-
17	FL-18210	PLUG-COVER	1	3408-
18	1F-95549	BOLT-CARRIER COVER	10	3408-
19	**	CAP-DIFFERENTIAL BEARING		3408-
20	1F-72919	BOLT-DIFFERENTIAL BEARING CAP	4	3408-
21	BO-5255V	KIT-DIFFERENTIAL BEARING	1	3408-
22	*	SHIM-DIFFERENTIAL BEARING		3408-
23	*	CASE-DIFFERENTIAL		3408-
24	1F-72918	BOLT-DRIVE GEAR	10	3408-
25	*	PINION-DIFFERENTIAL		3408-
26	*	GEAR-DIFFERENTIAL		3408-
27	*	THRUST WASHER-DIFFERENTIAL PINION		3408-
28	*	THRUST WASHER-DIFFERENTIAL GEAR		3408-
29	*	SHAFT-DIFFERENTIAL		3408-
30	15-81620	LOCK-DIFFERENTIAL SHAFT	1	3408-
31	1F-72916	PLUG-VENT	1	3408-
32	2F-93460	SEAL & GUIDE-TUBE	2	3408-
33	HA-23985	NUT-HEX. SLOTTED	2	3408-
34	HA-52712	PIN-COTTER	2	3408-
35	1F-94470	RING-ADJUSTING SPLIT	2	3408-
36	SEE KIT H	SOCKET ASS'Y-UPPER		3408-
37	HA-23988	NUT-HEX. JAM	2	3408-
38	SEE KIT H	SOCKET ASS'Y-LOWER		3408-
39	HA-7112A	RING-SNAP	2	3408-
40	1F-72917	SCREW-STOP	2	3408-
41	HA-11982	NUT-JAM	2	3408-
42	SEE KIT F&G	KNUCKLE ASS'Y		3408-
42A	1F-1670A	STUD 1/4 X 24 X 1-1/2 LG	6	3408-
43	HA-17985	NUT-HEX. SLOTTED	2	3408-
44	HA-57211	PIN-COTTER	2	3408-
45	4D-18970	TIE ROD ASS'Y	1	3408-
47	INCL W/#67	SLINGER-SPINDLE YOKE		3408-

*** * Z A M B O N I 520 * ***

CONSOLIDATED PARTS LIST

Group 3.10 FRONT AXLE ASS'Y

IND	PART NO.	DESCRIPTION	QTY	S/N RANGE
48	2F-95310	SEAL-OIL, SPINDLE		3408-
49	1F-95460	SPACER-WHEEL BEARING SPINDLE		3408-
50	1X-92080	BEARING ASS'Y-NEEDLE		3408-
50A	2F-95320	LIP SEAL	2	3408-
52	HA-11981	NUT-BRAKE MOUNTING	6	3408-
57	1F-95440	NUT & PIN ASS'Y-INNER LOCK	2	3408-
58	1F-95450	LOCK-RETAINING NUT	2	3408-
59	1F-95390	NUT-WHEEL BEARING ADJUSTING (Use 84-54130 Socket)	2	3408-
	84-54130	SOCKET, 4 PIN, 1/2" DRIVE (For 1F-95390 Nut)	OPT.	
62	HA-7080A	RING SNAP	2	3408-
67LT	1F-95280	SHAFT & JOINT ASS'Y 21.89" } (Centre Line of "U" Joint to Shaft End)	1	3408-
67RT	1F-95270		1	3408-
68	1F-95400	DUST COVER	2	3408-
69	1F-95410	GEAR-AXLE DRIVE	2	3408-
70	1F-95420	SPRING-PRESSURE	2	3408-
71	1F-95430	PLATE-SPRING RETAINING	2	3408-
72	BL-6501V	KIT-OUTER WHEEL BEARING	2	3408-
73	1F-95330	HUB-WHEEL	2	3408-
74	BL-6104V	KIT-INNER WHEEL BEARING	2	3408-
75	2F-95380	SEAL-OIL	2	3408-
76	SEE KIT D	SPINDLE-WHEEL BEARING	2	3408-
77	HD-15306	STUD, WHEEL, 1/2-20, R.H. X 1-5/8 LG	16	3408-
78	00-09560	CROSS, SHAFT & JOINT ASS'Y	2	3408-

* PART NOT SERVICED INDIVIDUALLY

* * CONSULT ZAMBONI FACTORY

LEFT SIDE INDICATES DRIVER'S SIDE OF THE RESURFACER FOR BOTH FRONT AND REAR AXLES.

KIT A	1F-95060	DRIVE GEAR AND PINION ASSEMBLY (Includes Items 2,3,4,5,6,7,8,9,10,12,13,16,22,24)	1	3408-
KIT B	1F-94970	DIFFERENTIAL CASE ASSEMBLY (Includes Items 16,21,22,23,24,25,26,27,28,29,30)	1	3408-
KIT C	1F-95590	DIFFERENTIAL PARTS (Includes Items 16,24,25,26,27,28,29,30)	1	3408-
KIT D	1F-95300	WHEEL BEARING SPINDLE (Includes Items 48,49,50,76)	***	3408-
KIT F	1F-1668B	STEERING KNUCKLE - R.H. (Includes Items 33,34,35,36,37,38,39,42)	1	3408-
KIT G	1F-1668A	STEERING KNUCKLE - L.H. (Includes Items 33,34,35,36,37,38,39,42)	1	3408-
KIT H	1F-93610	SOCKET ASSEMBLY (Includes Items 33,34,35,36,37,38,39)	***	3408-

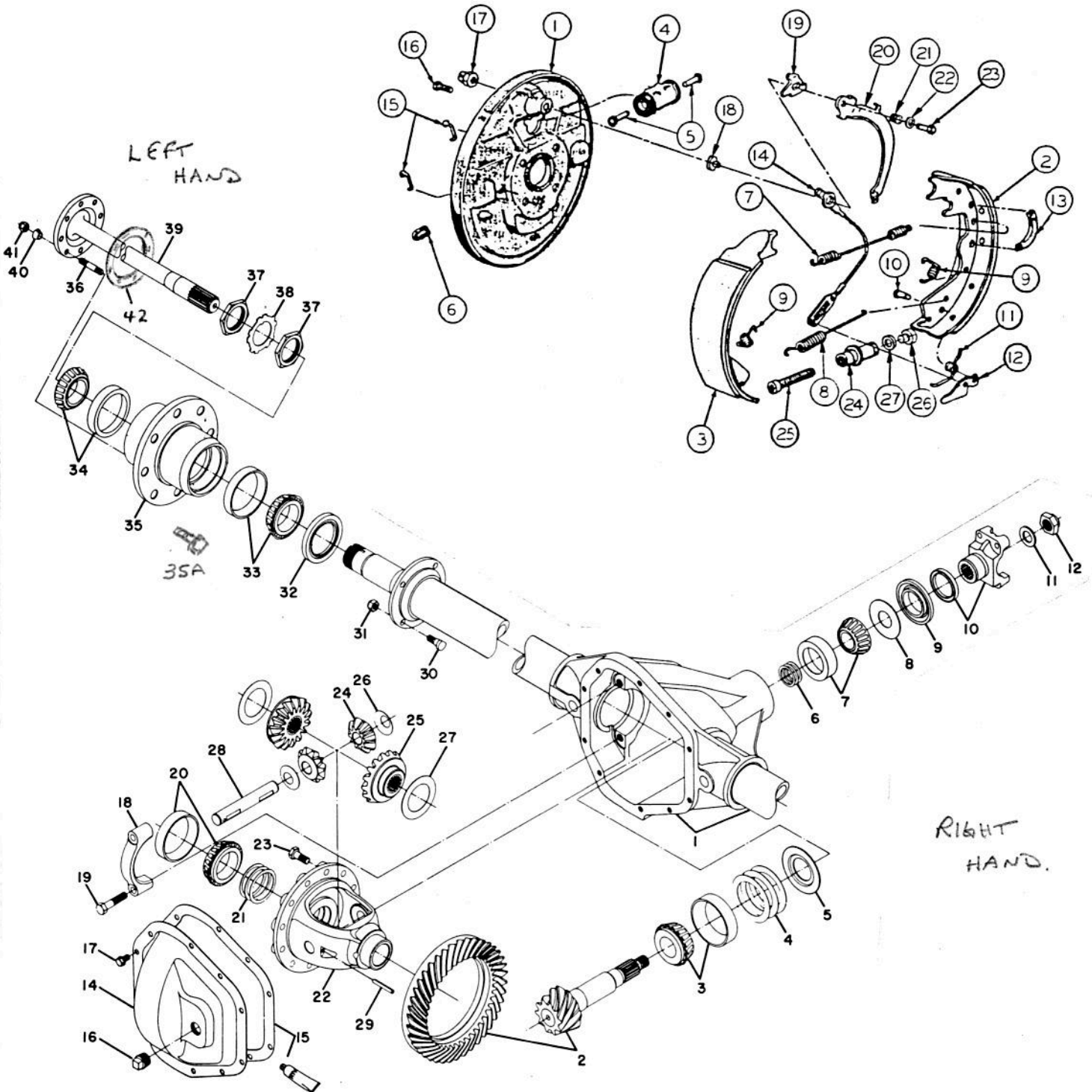
*** ONE KIT REQUIRED PER SIDE

**** ZAMBONI 520 ****

CONSOLIDATED PARTS LIST

Group 3.10 REAR AXLE ASS'Y

L.H. SHOWN



**** ZAMBONI 520 ****

CONSOLIDATED PARTS LIST

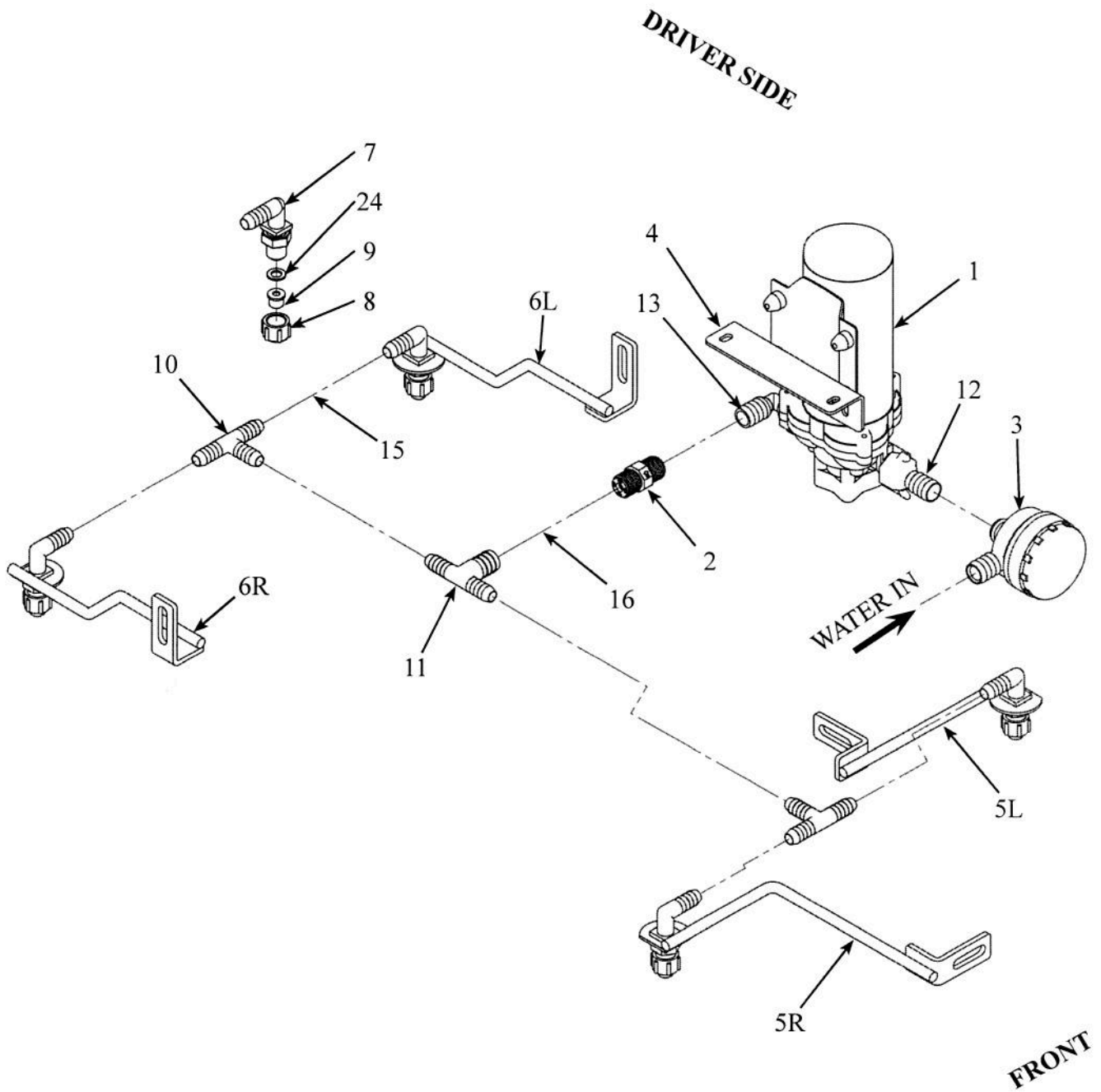
Group 3.10 REAR AXLE ASS'Y

IND	PART NO.	DESCRIPTION	QTY	S/N RANGE
1	1D-72920	AXLE ASS'Y (w/Hub, Drum & Asbestos Brake Lining) Sub 1D-72921	1	3408-4905
	1D-72921	AXLE ASS'Y (w/Hub, Drum & Metallic Bk Lining, Self Adj.)	1	5049-6769
	1D-72922	AXLE ASS'Y (w/Hub, Drum & Metallic Bk Lining, Manual Adj.)	1	6770-
2	00-09493	RING & PINION (5.86 Ratio)	1	3408-
3	BH-6803V	INNER PINION BEARING KIT	1	3408-
4	00-09480	SHIM SET	1	3408-
5	NPN	BAFFLE	1	3408-
6	NPN	SHIM SET	1	3408-
7	BH-5885V	OUTER PINION BEARING KIT	1	3408-
8	NPN	SLINGER	1	3408-
9	2F-3051A	PINION SEAL	1	3408-
10	00-09552	END YOKE ASS'Y (Sub 1F-95525 & 2 1H-74695)	1	3408-6952
	1F-95525	END YOKE ASS'Y (Strap Style)	1	6953-
	1H-74695	BEARING STRAP AND BOLTS	2	6953-
11	NPN	WASHER	1	3408-
12	NPN	NUT	1	3408-
14	00-09548	COVER	1	3408-
15	00-09477	GASKET DIFFERENTIAL COVER	1	3408-
16	NPN	DRAIN PLUG	1	3408-
17	NPN	CARRIER COVER BOLT	10	3408-
18-29	00-09492	CARRIER ASSEMBLY	1	3408-
20-29	1F-07612	DIFFERENTIAL ASS'Y	1	3408-
23-29	00-09557	SPIDER GEARS	1	3408-
20	BO-3387V	RACES & BEARINGS FOR CASE	1	3408-
21	00-09479	CARRIER SHIM KIT	1	3408-
30	NPN	BOLT	4	3408-
31	NPN	NUT	4	3408-
32	2F-4258A	SEAL	1	3408-
33	BO-3370V	INNER WHEEL BEARING KIT	2	3408-
34	BO-3359V	OUTER WHEEL BEARING KIT	2	3408-
35	00-09498	HUB & DRUM ASSEMBLY	1	3408-
35A	1F-6000A	LUG STUD (Was 1D-72925)	16	3408-4537
35A	1F-6000B	LUG STUD	16	4574-
36	1F-6001A	STUD (Was 1F-6000A)	16	3408-
37	00-09442	NUT BEARING ADJUSTMENT (Use Socket 84-54120)	4	3408-
	84-54120	SOCKET, 2-3/8 HEX, 3/4" DRIVE (For 00-09442 Nut)	OPT	
38	00-09445	LOCKWASHER	2	3408-
39	00-09342	AXLE SHAFT LH & RH	2	3408-
40	00-09553	ADAPTER, STUD	16	3408-
41	1F-6002A	LOCKNUT (Was 1F-6000A)	16	3408-
42	00-09512	FLANGE GASKET	2	3408-
		BRAKE COMPONENTS		
	1J-0552A	BRAKE DRUM ASS'Y L.H. (Man. Adj. Met. Lining)	1	
	1J-0552B	BRAKE DRUM ASS'Y R.H. (Man. Adj. Met. Lining)	1	
2&3	1J-7292B	KIT BRAKE SHOES (1 Set = 1 Axle)		
4	1J-7292R	BRAKE WHEEL CYLINDER R.H.	1	
4A	1J-7292L	BRAKE WHEEL CYLINDER L.H.	1	
8		SPRING (Diff. for Self Adj. & Manual Adj.)		
14		CABLE (Not Req'd on Manual Adj.)		

**** ZAMBONI 520 ****

CONSOLIDATED PARTS LIST

Group 3.20 TIRE WASH (Optional)



**** Z A M B O N I 520 ****

CONSOLIDATED PARTS LIST

PAGE 3.20-A

Nes Page Jan/02

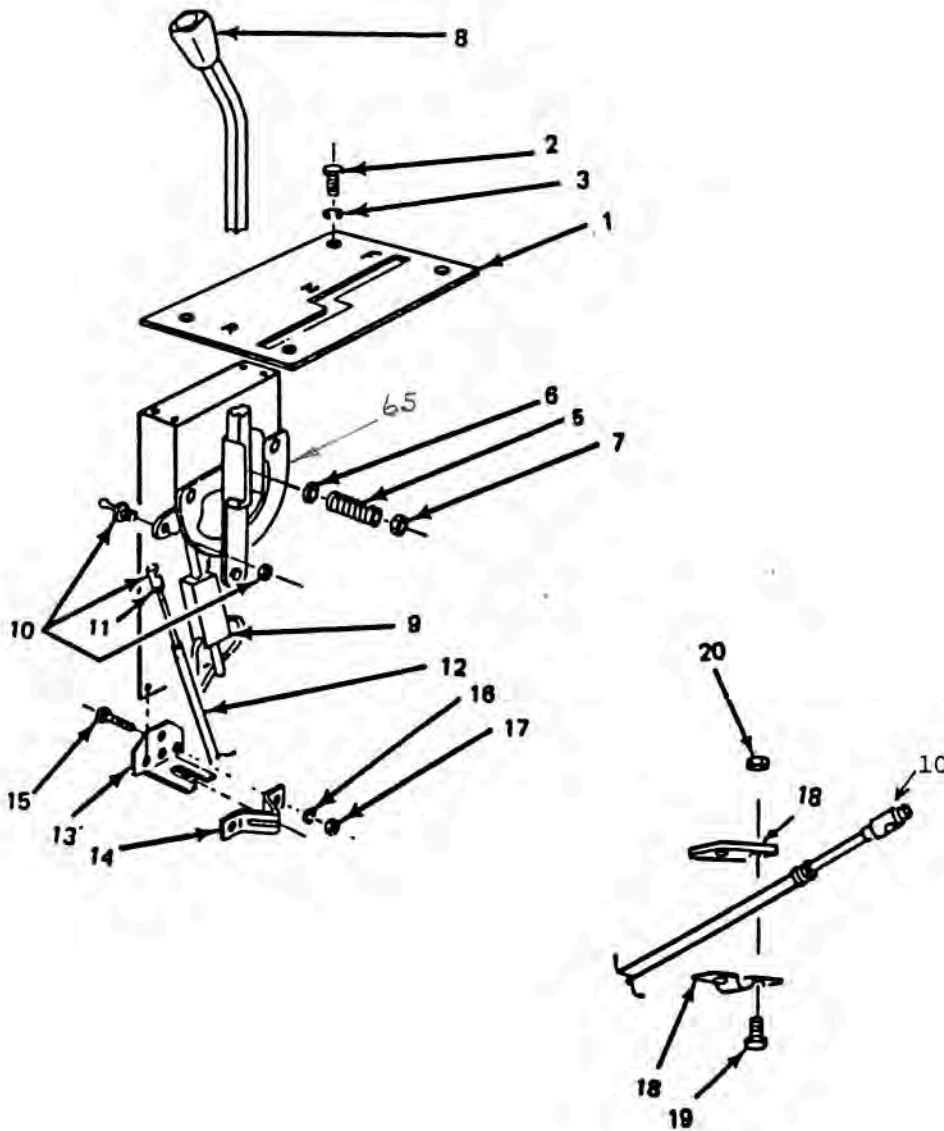
Group 3.20 TIRE WASH (Optional)

IND	PART NO.	DESCRIPTION	QTY	S/N RANGE
1	2P-3200K	PUMP, 3.6 GPM, 12V C/W CONNECTORS (Shurflo)	1	4856-7302
	2P-3200K	PUMP, 3.6 GPM, 12V C/W CONNECTORS (Shurflo)	1	7724-
	2P-3202K	PUMP, 5 GPM, 12V C/W CONNECTORS (Flojet 4100)	1	7303-7672
	2P-3202K	PUMP, 5 GPM, 12V C/W CONNECTORS (Flojet R4125)	1	7673-7723
	2P-3200V	VALVE REPAIR KIT ASS'Y FOR 2P-3200K	1	4856-
2	2V-32510	CHECK VALVE, 1/2" NPT MALE	1	6467-
3	3R-32000	WATER STRAINER, 1/2" NPT	1	4856-7302
	3R-32000	WATER STRAINER, 1/2" NPT	1	7724-8568
	3R-32020	WATER STRAINER, 3/4" BARB x 90° QUAD	1	7303-7723
	3R-32020	WATER STRAINER, 3/4" BARB x 90° QUAD	1	8569-
4	5T-32000	BRACKET, MOUNTING	1	4856-
5L	5T-32010	NOZZLE MOUNT, LEFT FRONT	1	4856-
5R	5T-32020	NOZZLE MOUNT, RIGHT FRONT	1	4856-
6L	5T-32030	NOZZLE MOUNT, LEFT REAR	1	4856-
6R	5T-32040	NOZZLE MOUNT, RIGHT REAR	1	4856-
7	FP-0811A	NTL12 1/2" BARB 90° NOZZLE C/W LOCKNUT PLASTIC	4	4856-
8	FP-1100A	8027 NOZZLE SWIVEL NUT PLASTIC	4	4856-
9	FA-32000	SPRAY TIP	4	4856-
10	FP-0808A	8-126-00 1/2" BARB TEE PLASTIC	2	4856-
11	FP-0812B	T3412 1/2" x 1/2" x 3/4" BARB TEE PLASTIC	1	4856-
12	FP-0812C	HOSE ADAPTER, 1/2 NPT x 3/4 BARB	1	4856-7323
	FP-0812C	HOSE ADAPTER, 1/2 NPT x 3/4 BARB	1	7724-
	FP-0812D	HOSE ADAPTER 90°, 1/2 NPT x 3/4 BARB	1	7324-7723
13	FP-1200A	8-157-01 SWIVEL WINGNUT ELBOW FITTING	2	4856-7302
	FP-1200A	8-157-01 SWIVEL WINGNUT ELBOW FITTING	2	7724-
	FP-1200C	3/4" BARB x 90° QUAD ELBOW FITTING	1	7303-7723
14	FF-08420	TEE ICE MAKING TANK DRAIN,PUMP INLET (Galv.Tank Only)	1	4856-
15	RH-2000A	1/2 ID HEATER HOSE, BULK	17	4856-
16	RH-4000A	3/4 ID HEATER HOSE, BULK	2	4856-
17	27-2006B	CLAMP, STAINLESS STEEL HOSE, WORM SIZE 6 (Narrow Wd.)	12	4856-
18	27-2008A	CLAMP, STAINLESS STEEL HOSE, WORM SIZE 8	6	4856-
19	7P-77370	ROCKER SW. SPST RED PILOT LIGHT ON/OFF	1	4856-
20	78-77540	DIODE ASS'Y C/W MALE/FEMALE SPADE TERMINALS	1	4856-
21	75-32100	WIRING HARNESS	1	4856-
22	5T-32100	SPLASH GUARD, GAS TANK, GASOLINE MACHINES ONLY	1	4856-
24	HD-10868	FIBRE WASHER 3/8 ID x 5/8 OD x 1/16 TK	4	4856-

* * Z A M B O N I 520 * *

CONSOLIDATED PARTS LIST

GROUP 4.10 HYDROSTAT CONTROL, SERIAL NO. RANGE 3408-3607



**** ZAMBONI 520 ****

CONSOLIDATED PARTS LIST

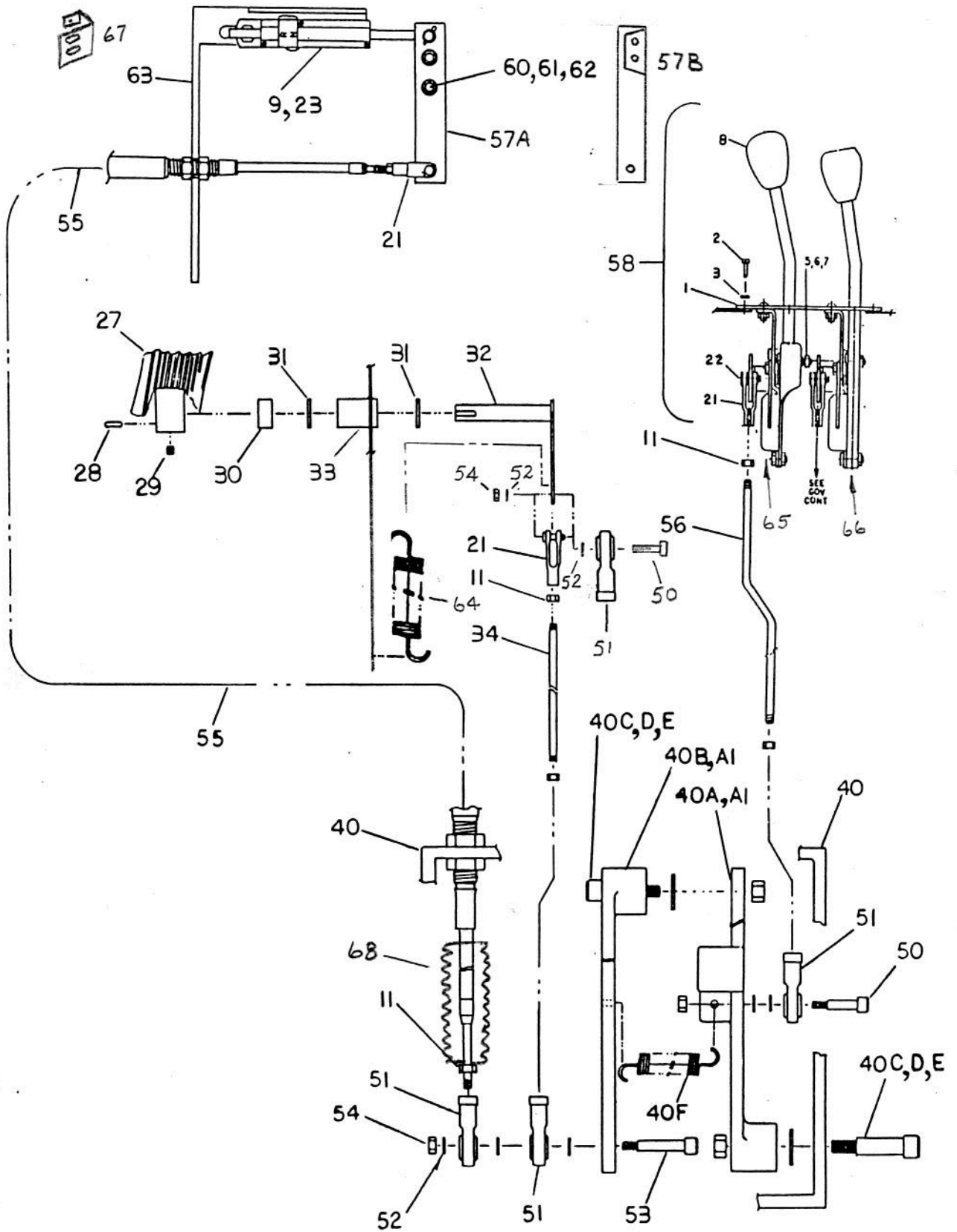
Group 4.10 HYDROSTAT CONTROL

IND	PART NO.	DESCRIPTION	QTY	S/N RANGE
	32-18950	CONTROL ASSEMBLY (Single Incl. All Shown Except 10, 11, 12, 18, 19, 20)	1	3408-3607
1	32-1895P	PLATE, SHIFT	1	3408-3607
	32-0510P	PLATE, DUAL SHIFT	1	3608-
2	HA-06006	SCREW, HEX HD, 1/4-20 x 1/2	4,6	3408-
3	HA-06862	LOCKWASHER, 1/4	4,6	3408-
5	IL-79670	SPRING, SHIFT LEVER	1	3408-
6	HD-0686B	WASHER, SHIFT LEVER SPRING	1	3408-
7	HA-07981	NUT, HEX 1/4-28	1	3408-
8	4B-79640	KNOB, SHIFT LEVER	1	3408-
9	7P-79620	SWITCH, NEUTRAL START	1	3408-
10	4J-42940	BALL JOINT SET	2,1	3408-
11	HA-04980	NUT, HEX 10-32	2,6	3408-
12	33-18260	CABLE, CONTROL, 132" LG	1	3408-3607
	33-0503A	CABLE, CONTROL, 111" LG	1	3608-
13	5T-79650	BRACKET, CABLE CLAMP	1	3408-3607
14	27-79660	CLAMP, CONTROL CABLE	1	3408-3607
15	HA-06013	SCREW, FILLISTER HEAD, 1/4-20 x 1-1/4	2	3408-3607
16	HA-06863	LOCKWASHER, 1/4	2	3408-3607
17	HA-06009	NUT, HEX, 1/4-20	2	3408-3607
18	27-42920	CLAMP, CABLE	1	3408-3607
19	HA-04709	SCREW, HEX HD, 10-32 x 3/4	2	3408-3607
20	HA-04981	LOCKNUT, HEX, 10-32	2	3408-3607
21	36-05100	CLEVIS YOKE & PIN ASS'Y	1,4,3	3608-
22	HA-61222	CLEVIS PIN	1,4,3	3608-
23	32-05010	HARDWARE KIT, NEUTRAL SWITCH MOUNTING	1	3608-
27	4M-05001	FOOT PEDAL	1	3608-
28	15-01100	KEY 3/16 SQUARE x 1	1	3608-
29	HD-0840F	SET SCREW	1	3608-
30	11-2424C	COLLAR	1	3608-
31	1X-05000	THRUST, BEARING	2	3608-
32	39-06000	SHAFT & LEVER WELDMENT	1	3608-4286
	39-06005	SHAFT & LEVER WELDMENT		4287-
33	5T-06000	BRACKET, CONTROL MOUNTING	1	3608-
34	4E-06002	CONTROL ROD	1	3608-
	4E-60012	THREADED ROD ENDS 10-32 x 1-3/4 LG	2	3608-
40	32-0586A	AUTOSTAT CONTROL ASS'Y (Incl. All 40 Items)	1	3608-4286
	32-05220	AUTOSTAT CONTROL ASS'Y	1	4287-
	32-0522K	AUTOSTAT KIT (32-05220 + 1L-42850)	OPT	
40A	32-0586R	ARM & BEARING ASS'Y (Incl. 40A1)	1	3608-4286
	32-0520A	ARM ONLY	1	4287-
40A1	1X-0614A	BEARING	4	3608-4286
	10-1210A	BEARING	2	4287-
40B	32-0586T	ARM & BEARING ASS'Y (Incl. 40A1)	1	3608-4286
	32-0520B	ARM ONLY	1	4287-

**** ZAMBONI 520 ****

CONSOLIDATED PARTS LIST

GROUP 4.10 HYDROSTAT CONTROL, SERIAL NO. RANGE 3608 & UP



**** Z A M B O N I 520 ****

CONSOLIDATED PARTS LIST

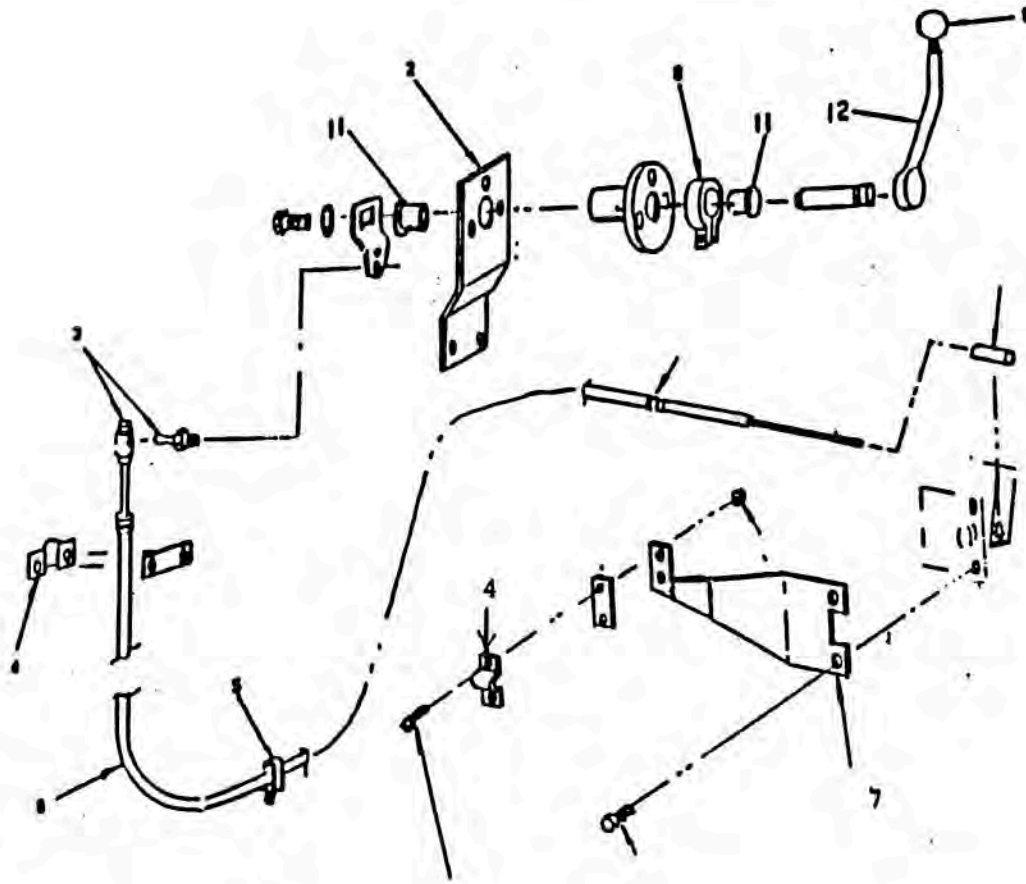
Group 4.10 HYDROSTAT CONTROL

IND	PART NO.	DESCRIPTION	QTY	S/N RANGE
40C	HH-00380	SHOULDER SCREW	2	3608-4286
	HA-11016	3/8-24NF x 2" LG HEX BOLT	1	4287-
	HA-11015	3/8-24NF x 1-3/4" LG HEX BOLT	1	4287-
	HA-11980	3/8 x 24NF HEX NUT	2	4287-
40D	HA-08981	LOCKNUT, 5/16-18	2	3608-4286
40E	HA-10861	FLATWASHER, 3/8	2	3608-
40F	1L-3083A	SPRING	1	3608-4286
50	HH-00040	SHOULDER SCREW	1	3608-4286
	HA-04111	SOCKET HD CAP SCR 10 x 32 NF x 1" LG	1,2	4287-
51	4J-04030	ROD END	3,4	3608-
52	HA-03867	FLATWASHER	5,8	3608-
53	HH-00064	SHOULDER SCREW	1	3608-4286
	HA-04113	SOCKET HD CAP SCR 10 x 32 NF x 1-1/4" LG	1	4287-
54	HA-02981	LOCKNUT	2,3	3608-
55	33-0503A	CABLE, CONTROL, 111" LG, 2" STROKE	1	3608-
56	4E-06001	CONTROL ROD	1	3608-
57A	39-0700A	LEVER, SWASH PLATE CONTROL	1	3608-5738
57B	39-0700B	LEVER, SWASH PLATE CONTROL	1	5739-
58	32-0587A	DUAL SHIFT CONTROL ASS'Y (Use 32-0588A)	1	3608-4858
	32-0588A	DUAL SHIFT CONTROL ASS'Y (Used with Mech.Gov.)	1	4859-
	32-06000	SINGLE SHIFT CONTROL ASS'Y (Dual Plate) USED WITH ELECTRONIC GOVERNOR	1	6151-
60	HA-10009	SCREW, HEX HD, 3/8-16 x 1"	2	3608-
61	HA-10862	LOCKWASHER, 3/8	2	3608-
62	HA-10980	HEX NUT, 3/8-16	2	3608-
63	5T-05210	BRACKET, CABLE & NEUTRAL SWITCH MT	1	3608-
	5T-05211	BRACKET, CABLE & NEUTRAL SWITCH MT	1	4287-
64	1L-42850	SPRING (Return For Footpedal)	1	3608-4858
65	32-05300	QUAD CONTROL MECH. (Hydrostat Transmission)	2	4859-
	32-05300	QUAD CONTROL MECH. (Hydrostat Transmission)	1	3608-
	32-05301	PADS, FRICTION DISC. FOR 32-05300	2	4859-
66	32-05400	QUAD CONTROL MECH. (Throttle)	1	5739-
67	39-07006	SPACER BRACKET NEUTRAL SWITCH MT	1	4701-5738
	KZ-7962A	NEUTRAL START SWITCH RELOCATION KIT (Contains Item #57B & 67) For Serial No. Range	1	5771-
68	33-0520A	CABLE BELLOWS C/W TIE	1	

* * Z A M B O N I 520 * *

CONSOLIDATED PARTS LIST

GROUP 4.20 GOVERNOR CONTROL, SERIAL NO. RANGE 3408-3607



**** ZAMBONI 520 ****

CONSOLIDATED PARTS LIST

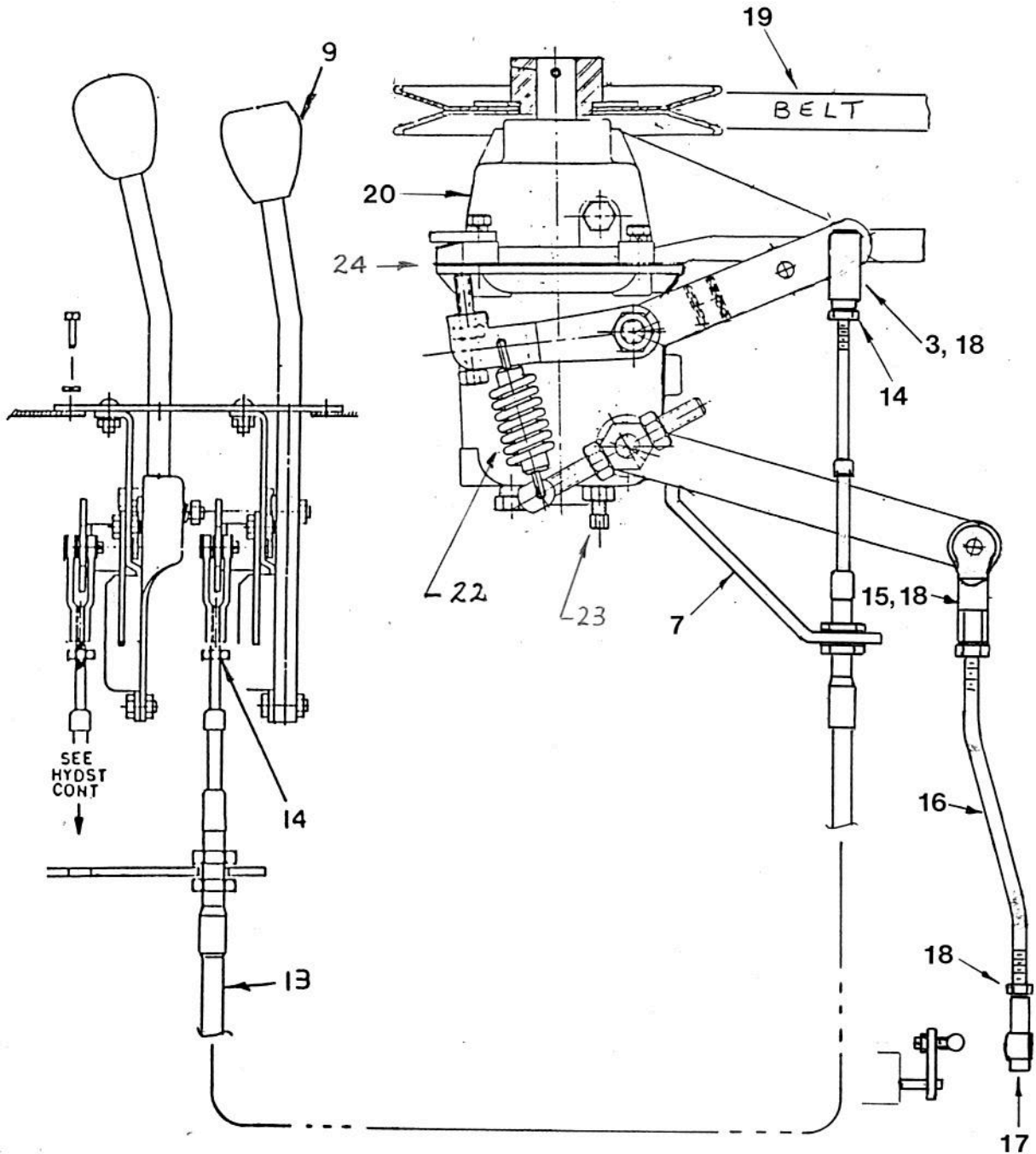
Group 4.20 GOVERNOR CONTROL

IND	PART NO.	DESCRIPTION	QTY	S/N RANGE
1	32-18180	ASS'Y, GOVERNOR CONTROL (Includes Items 8, 9, 11, 12 & Others Not Identified)	1	3408-3607
	HA-04609	SCREW, FLAT HEAD 10-32	3	3408-3607
	HA-04981	LOCKNUT, HEX 10-32	3	3408-3607
2	3H-18870	BRACKET, GOVERNOR CONTROL, UPPER	1	3408-3607
3	4J-42940	BALL JOINT SET	2	3408-3607
4	27-42920	CLAMP, CABLE	2	3408-3607
5	33-18200	ASS'Y, CABLE BRAKE	1	3408-3607
6	33-18190	CABLE, GOVERNOR CONTROL 168" LG	1	3408-3607
7	3H-05200	BRACKET, CABLE MOUNTING	1	3408-3607
	HA-07981	LOCKNUT, HEX, 1/4-20	2	3408-3607
	HA-06980	NUT, HEX, 1/4-20	2	3408-3607
8	32-18184	BAND, CONTROL BRAKE (Plastic, Sub 32-18188)	1	3408-3607
	32-18188	BAND, CONTROL BRAKE (Bronze)	1	FITS ALL
9	32-18183	KNOB, GOVERNOR CONTROL	1	3408-3607
11	32-18181	BEARING, GOVERNOR CONTROL SHAFT	2	3408-3607
12	32-18182	HAND LEVER, GOVERNOR CONTROL	1	3408-3607
19	42-0521A	BELT, GOVERNOR	1	3408-
20	3H-05220	GOVERNOR, MECHANICAL	1	3408-
21	3H-0420A	GOVERNOR SPACER PLATE	1	4900-

CONSOLIDATED PARTS LIST

GROUP 4.20 GOVERNOR CONTROL & GOVERNOR

S.N. 3608-



CONSOLIDATED PARTS LIST

Group 4.20 GOVERNOR CONTROL, MECHANICAL

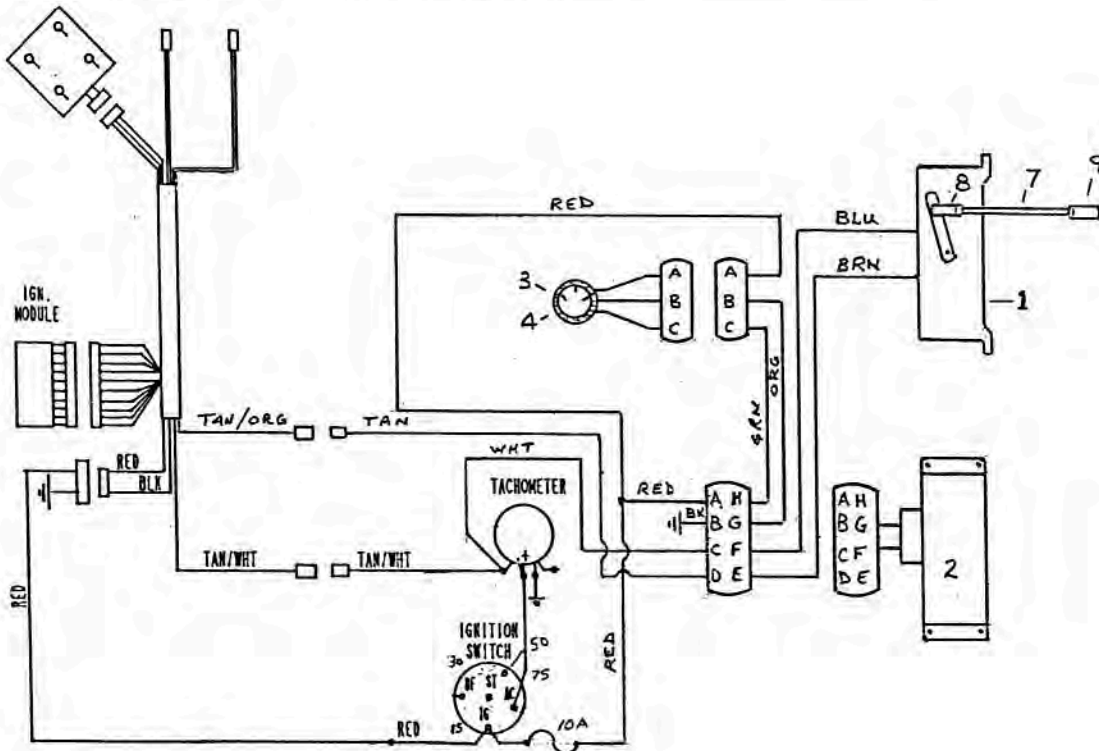
IND	PART NO.	DESCRIPTION	QTY	S/N RANGE
1		DUAL CONTROL (See Hydrostat Control Group For More Details)	1	3608-
3	4J-42940	BALL JOINT SET	1	3608-
7	3H-05210	BKT, CABLE MOUNTING	1	3608-4641
	3H-0400A	BKT, CABLE MOUNTING	1	4642-4855
	3H-0409A	BKT (Throttle Cable to 2 Bolt Gov. LSG-423)	1	4856-5258
	3H-0411A	BKT (Throttle Cable Mt. LRG-423 & 425)	1	5259-
	3H-0409B	BKT (Thr. Cable Mt. to 2 Bolt Gov. LSG & LRG-423&425)	1	4856-
8	3H-0400C	ANGLE SUPPORT	1	4642-4855
9	4B-79640	KNOB GOVERNOR CONTROL	1	3608-
13	33-0502A	CABLE, GOVERNOR CONTROL 153" LG	1	3608-
14	HA-04980	NUT, HEX, 10 x 32 NF	1	3608-
15	4J-04011	BALL JOINT WITH STUD	1	3608-
16	3H-05221	THROTTLE ROD (LSG-423)	1	3608-5258
	3H-05245	THROTTLE ROD (LRG-423 & 425)	1	5259-
17	4J-51991	BALL JOINT DISCONNECTING	1	3608-
18	HA-07980	NUT, HEX, 1/4 x 28 NF	4	3608-
	HA-06862	LOCKWASHER 1/4	2	3608-
19	42-0521A	BELT, GOVERNOR (LSG-423)	1	3608-5258
	42-05240	BELT, GOVERNOR (LRG-423 & 425)	1	5259-
20	3H-05220	GOVERNOR, MECHANICAL (Engine Speed 2800 RPM Max., 2 Bolt Mt. LSG-423)	1	3608-5258
	3H-05240	GOVERNOR MECHANICAL (LRG-423 & 425)	1	5259-
21	3H-0420A	SPACER PLATE GOVERNOR MOUNT	1	4900-5258
22	1L-0522K	SPRING C/W FORCED IDLE PIN	1	3608-
23	3H-05225	BUFFER SPRING & SCREW ASS'Y	1	3608-
24	3H-05226	GASKET, MAIN BODY	1	3608-

**** Z A M B O N I 5 2 0 ****

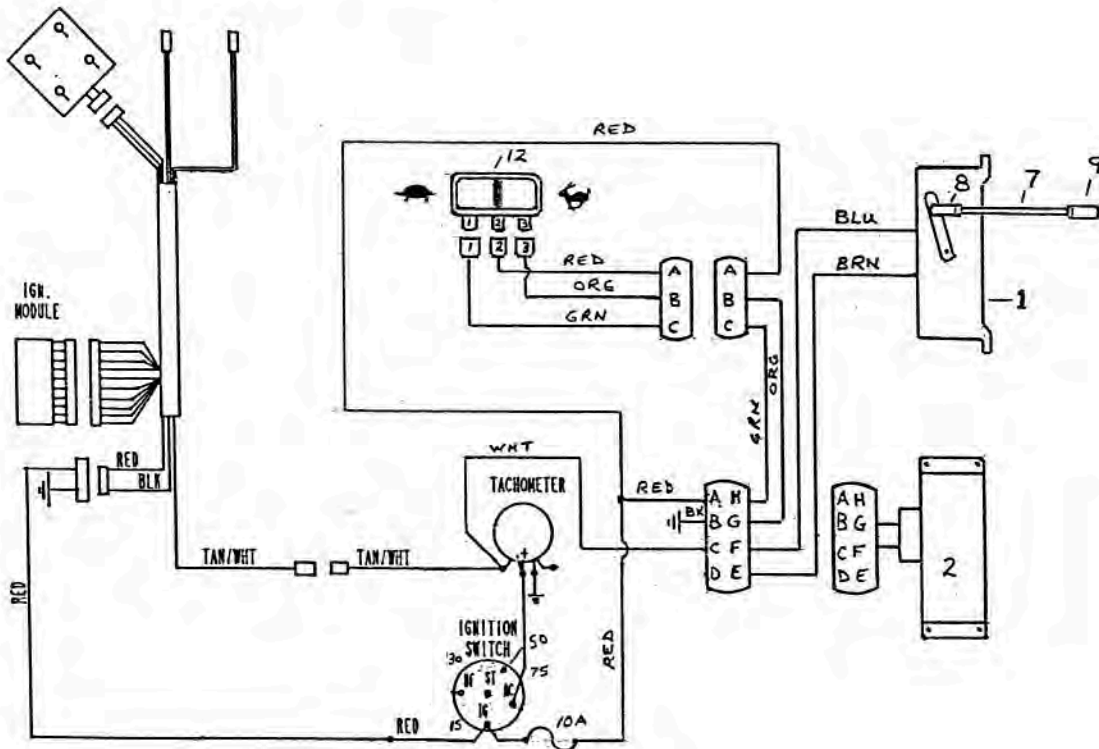
CONSOLIDATED PARTS LIST

Group 4.25 GOVERNOR CONTROL, ELECTRONIC 2.3 & 2.5 LRG ONLY

Serial Number Range: 6151-6816



Serial Number Range: 6817-



**** Z A M B O N I 520 ****

CONSOLIDATED PARTS LIST

Group 4.25 GOVERNOR CONTROL, ELECTRONIC 2.3 & 2.5 LRG ONLY

IND	PART NO.	DESCRIPTION	QTY	S/N RANGE
------------	-----------------	--------------------	------------	------------------

NOTE: 1) ELECTRONIC GOVERNORS WERE INSTALLED ON SELECTED MACHINES STARTING AT SERIAL NUMBER 520-6151. MACHINES AFTER THIS SERIAL NUMBER COULD EITHER HAVE A MECHANICAL OR AN ELECTRONIC GOVERNOR FACTORY INSTALLED. CHECK YOUR MACHINE TO BE SURE WHICH STYLE OF GOVERNOR IT IS EQUIPPED WITH.

DO NOT USE A THROTTLE BODY RETURN SPRING ON CARBURETOR WHEN USING ELECTRONIC GOVERNOR.

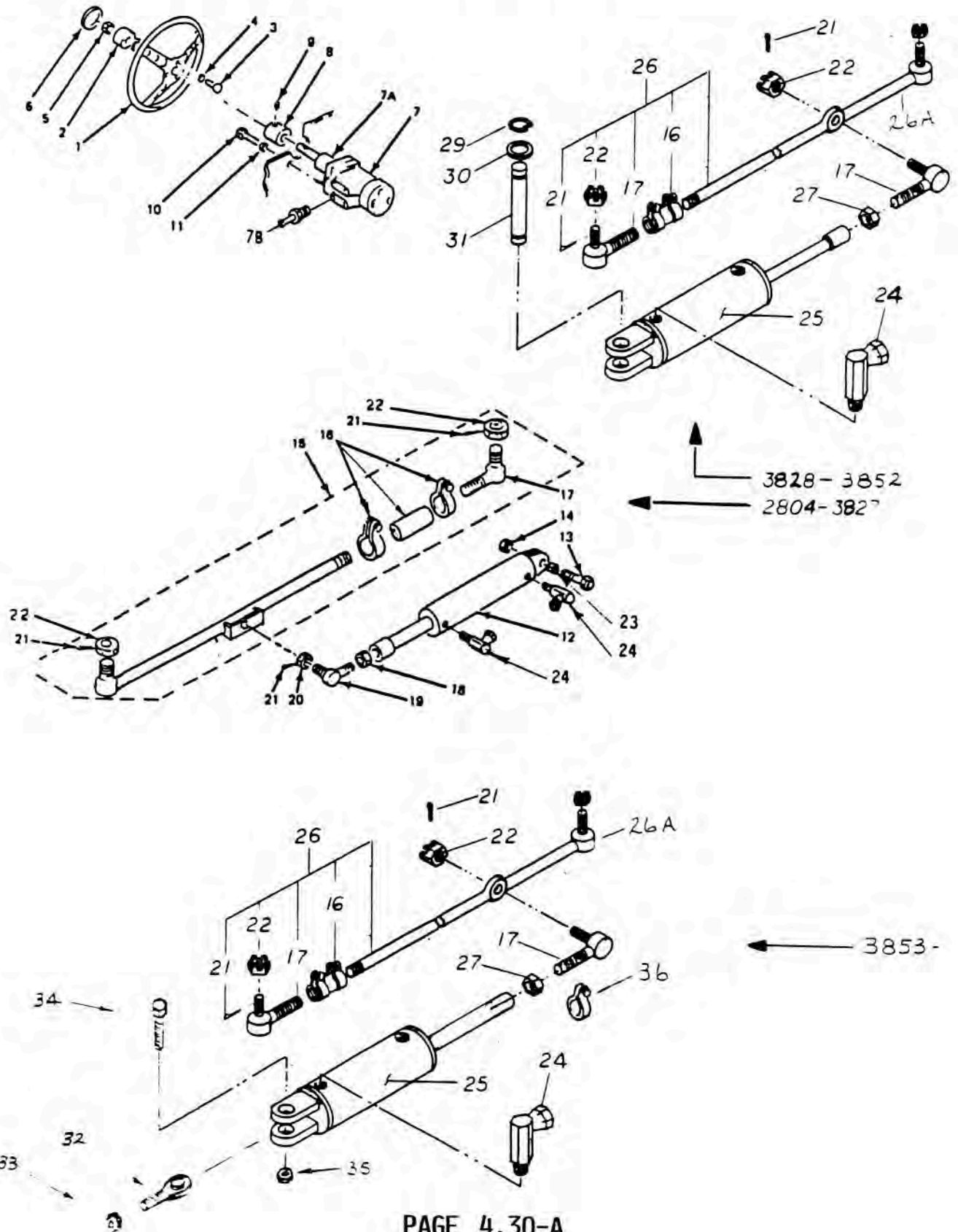
ZENITH GASOLINE CARBURETOR IS DIFFERENT WHEN USED WITH AN ELECTRONIC GOVERNOR THAN WHAT IS USED WITH A MECHANICAL GOVERNOR. SEE PAGE 1.70-1.

	KZ-06000	ELECTRONIC ANALOG GOVERNOR GROUP 2.3 & 2.5 LRG ONLY		
	KZ-06002	ELECTRONIC DIGITAL GOVERNOR GROUP 2.3 & 2.5 LRG ONLY		
1	3H-06000	SF ACTUATOR	1	6151-
	HA-01502	#6-32UNC x 1/4 LG TRUSS HD SLOT SCREW	2	6151-
	3H-06009	SF ACTUATOR ARM	1	6151-
	1X-06000	BEARING, SF ACTUATOR	2	6151-
2	3H-06010	E361 CONTROLLER, ANALOG	1	6151-6816
	3H-06012	E461 CONTROLLER, DIGITAL	1	6817-6938
	3H-06012	E461 CONTROLLER, DIGITAL (c/w Overspeed Cutout)	1	6939-
3	3H-06020	SWITCH ASSEMBLY, 4 SPEED	1	6151,6416,21&31
4	3H-06030	SWITCH ASSEMBLY, 3 SPEED	1	6434-6816
5	3H-06100	ACTUATOR MT. BRACKET	1	6151-
6	3H-06130	CONTROLLER MT. BRACKET	1	6151-
7	3H-06140	THROTTLE ROD	1	6151-
8	4J-04011	BALL JOINT WITH STUD	1	6151-
9	4J-51991	BALL JOINT DISCONNECT	1	6151-
10	75-06000	WIRING HARNESS	1	6151-
11	75-06001	WIRING HARNESS EXT. DIGITAL GOV. ROCKER SW.	1	6817-
12	7P-77365	RAMP ROCKER SWITCH DIGITAL GOV.	1	6817-

* * Z A M B O N I 520 * *

CONSOLIDATED PARTS LIST

GROUP 4.30 STEERING



**** Z A M B O N I 520 ****

CONSOLIDATED PARTS LIST

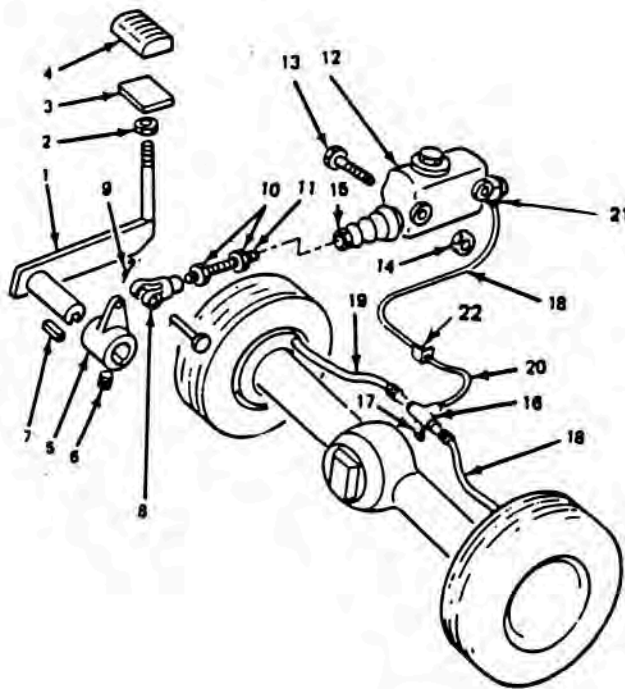
Group 4.30 STEERING SYSTEM

IND	PART NO.	DESCRIPTION	QTY	S/N RANGE
1	4C-77430	STEERING WHEEL (Foam)	1	3408-4861
	4C-05200	STEERING WHEEL (Splined)	1	4862-
	4C-05205	STEERING WHEEL C/W SPINNER KNOB (Splined)	1	4862-
2	4C-77460	HUB, STEERING WHEEL	1	3408-4861
2A	4C-05202	SPINNER KNOB FOR 4C-05200	1	4861-
	HA-08017	5/16 NF X 2 1/4 HEX HD BOLT (Spinner Knob)	1	4861-
	HA-08981	5/16 NF LOCKNUT	1	4861-
3	HA-06006	SCREW, HEX HD, 1/4-20 x 1/2	3	3408-4861
4	HA-06862	LOCKWASHER, 1/4	3	3408-4861
5	HA-23988	LOCKNUT, HEX THIN PATTERN, 3/4-16	1	3408-4861
	HA-24982	LOCKNUT, 13/16 20UNEF THIN HEX NUT	1	4862-
6	7D-77440	CAP, STEERING WHEEL HUB	1	3408-4861
	4C-05201	CAP, STEERING WHEEL	1	4862
6A	81-79700	SNOW FLAKE PLATE	1	4861-
7	4C-0500A	CONTROL, POWER STEERING	1	3408-8152
	KZ-3763B	SEAL KIT (Power Steering Control 4C-0500A)		3408-8152
	4C-05010	CONTROL, POWER STEERING (291-1034-001)	1	8153-
7B	F1-64300	ADAPTER, STRAIGHT, 06MB x 06FS	4	3408-4641
7B	F1-74390	45 ADAPTER, 06MB x 06MJ	4	4642-
7A	4C-79970	COLUMN, STEERING CONTROL (Keyed)	1	3408-4861
7A	4C-79980	COLUMN, STEERING CONTROL (Splined)	1	4862-
8	4C-77450	SLEEVE, STEERING CONTROL COLUMN	1	3408-4861
9	HD-0840F	SET SCREW, SOCKET HEAD, 5/16-18 x 3/8	1	3408-4861
10	HA-10013	SCREW, HEX HD, 3/8-16 x 1-1/4	2	3408-
11	HA-10862	LOCKWASHER, 3/8	2	3408-
12	2Y-79390	CYLINDER, (Pneu-Hyd)	1	3408-3827
12A	2Y-7939K	SEAL KIT FOR (Pneu-Hyd 2Y-79390)	1	3408-3827
13	HD-1661C	SCREW, HEX HD, WITH GREASE FITTING	1	3408-3827
14	HA-16986	LOCKNUT, HEX, 9/16-12	1	3408-3827
15	4D-18970	TIE ROD ASS'Y (Includes 15, 16, 17, 21, 22)	1	3408-3827
16	4D-01000	SLEEVE & CLAMP ASS'Y, TIE ROD	1	3408-
17	4J-01000	ROD END, LEFT HAND THREAD	1	3408-3827
	4J-01000	ROD END, LEFT HAND	2	3828-
18	HD-21981	NUT, SPECIAL HEX, 11/16-18	1	3408-3827
19	4J-40740	ROD END, RIGHT HAND THREAD	1	3408-3827
20	HA-15985	NUT, HEX SLOTTED, 1/2-20	2	3408-3827
21	HA-52711	COTTER PIN, 1/8 x 1	2,3	3408-
22	HA-17985	NUT, HEX SLOTTED, 9/16-18	2,3	3408-
23	10-1806V	BUSHING, 9/16 BORE x 3/8 LONG	1	3408-3827
24	F2-69040	ADAPTER, 90° ELBOW, 04MP x 04FS	2	3408-
25	2Y-2008A	CYLINDER, (KMW)	1	3828-3852
	2Y-2008B	CYLINDER, (KMW)	1	3853-4641
	2Y-20090	CYLINDER (Shur-Lift)	1	4642-
25A	2Y-2008K	SEAL KIT FOR (KMW 24-2008A & 24-2008B)	1	3828-4641
	2Y-6229K	SEAL KIT FOR (Shur-Lift 2Y-62290, 20090, 20100)	1	4642-
26	4D-18971	TIE ROD (Includes 16, 17, 21, 22)	1	3828-
26A	4J-0401A	TIE ROD END, 7/8-18 RH x 36-1/2 x 9/16-18	1	3408-
27	HD-56981	HEX NUT, LEFT HAND THD, 7/8-18	1	3828-4324
29	HA-7064A	RETAINING RING	2	3828-3852
30	HA-30861	FLAT WASHER SAE 1"	2	3828-3852
31	16-70560	PIVOT PIN 1"	1	3828-3852
32	4J-04040	MALE ROD EYE	1	3853-
33	HA-19982	5/8 x 18 JAM NUT	1	3853-
34	HA-18018	5/8 NC BOLT 2-1/2" LG. (Sub HE-18018)	1	3853-
	HE-18018	5/8 NC BOLT 2-1/2" LG. SPECIAL (1-1/2" No Thread)	1	3853-
35	HA-18986	5/8 NC HEX LOCK NUT	1	3853-
36	27-80400	CLAMP ASS'Y C/W NUT & BOLT	1	4325-

**** ZAMBONI 520 ****

CONSOLIDATED PARTS LIST

Group 4.40 BRAKING SYSTEM



** Z A M B O N I 520 **

CONSOLIDATED PARTS LIST

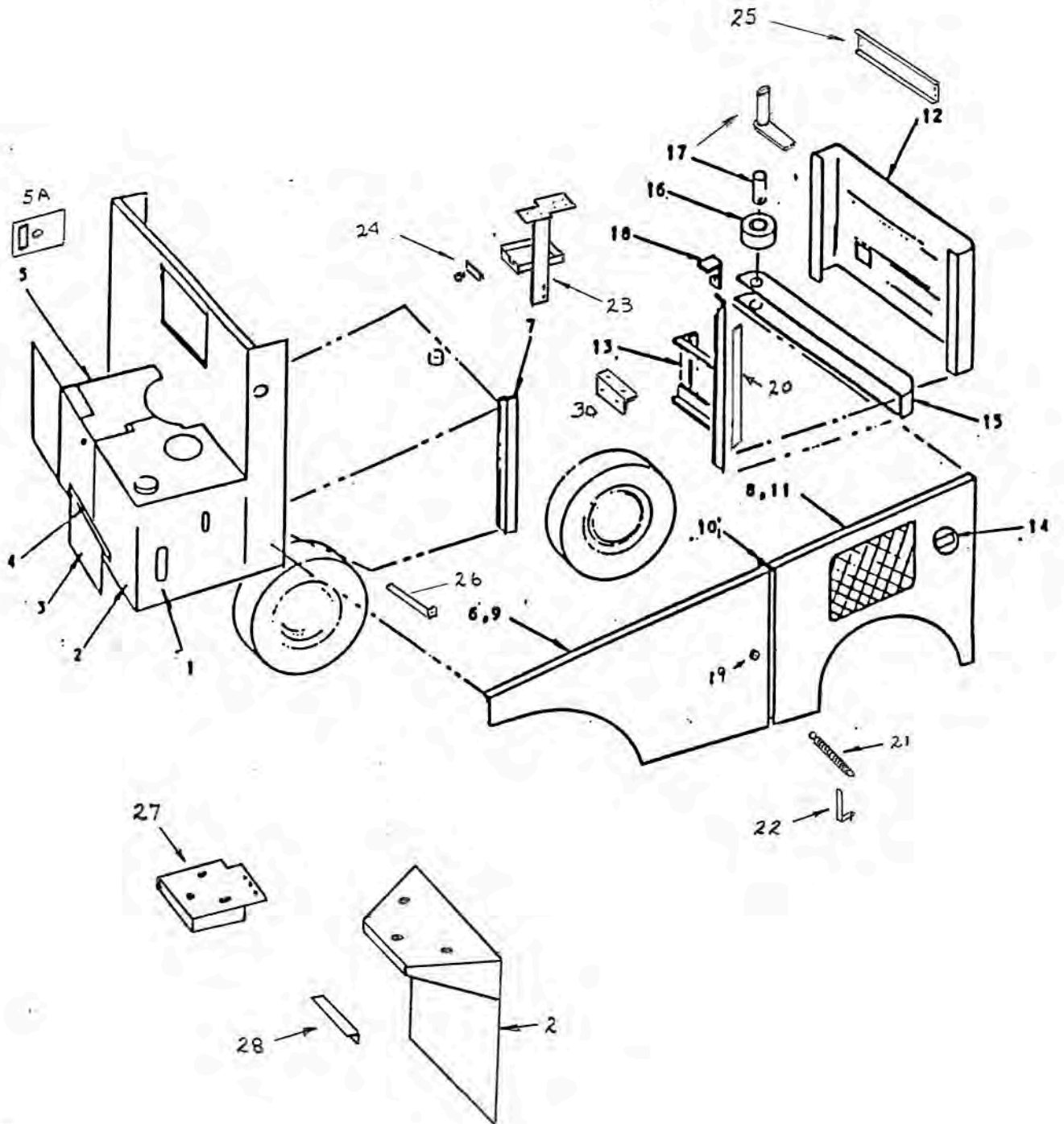
Group 4.40 BRAKING SYSTEM

IND	PART NO.	DESCRIPTION	QTY	S/N RANGE
1	4F-34120	ARM BRAKE PEDAL	1	3408-
2	HA-18982	NUT, HEX, THIN PATTERN, 5/8-11	1	3408-
3	4M-40480	PEDAL, BRAKE, WITHOUT COVER	1	3408-
4	4M-40490	COVER, BRAKE PEDAL	1	3408-
5	4F-34130	ARM BRAKE CYLINDER ACTUATING	1	3408-
6	HD-0640F	SET-SCREW, SOCKET, 1/4-20 x 3/8	1	3408-
7	15-02100	KEY, 1/4 SQUARE x 1	1	3408-
8	36-35700	YOKE, CLEVIS (Less Pin)	1	3408-
8A	16-35700	PIN, CLEVIS	1	3408-
9	HA-51711	COTTER PIN, 3/32 x 1	1	3408-
10	HA-13980	NUT, HEX, 7/16-20	2	3408-
11	HD-1301Z	ROD, BRAKE ACTUATING	1	3408-
12	4M-31550	BRAKE MASTER CYLINDER	1	3408-
13	HA-10020	SCREW, HEX HD, 3/8-16 x 3	2	3408-
14	HA-10981	LOCKNUT, HEX, 3/8-16	2	3408-
15		PUSH ROD, MASTER CYLINDER (Comes with Master Cylinder)	1	3408-
16	4M-40400	TEE, BRAKE LINE (Included with 4M-17580)	1	3408-
17	5T-73680	BRACKET, BRAKE LINE TEE	1	3408-
18	4T-21210	TUBE ASS'Y, 3/16 x 30	1	3408-
19	4T-2121M	TUBE ASS'Y, 3/16 x 20	1	3408-
20	4M-17580	HOSE, BRAKE LINE (c/w Tee 4M-40400)	1	3408-
21	F4-15070	REDUCER, INVERTED FLARE, 04MV x 03MV	1	3408-
22	4R-40370	CLIP, BRAKE HOSE	1	3408-
23	C5-00200	SWITCH, BRAKE LIGHT	1	OPT
		<u>PARKING BRAKE OPTIONAL</u>		
	KZ-04580	PARKING BRAKE KIT, MECHANICAL	1	OPT
	4M-0700A	LEVER ASS'Y	1	3408-5475
		LEVER ASS'Y C/W SET SCREW LOCK ON HANDLE	1	5476-
	33-0106A	CABLE 106" LG (Sub 33-0107A)	2	3408-6786
	5T-73688	CABLE BRACKET	1	3408-
	33-0107A	CABLE 107" LG	2	6787-

**** ZAMBONI 520 ****

CONSOLIDATED PARTS LIST

GROUP 5.10 BODY PANELS



**** Z A M B O N I 520 ****

CONSOLIDATED PARTS LIST

Group 5.10 BODY PANELS

IND	PART NO.	DESCRIPTION	QTY	S/N RANGE
		CHASSIS WT 395 LB/180 KG		
		CHASSIS TIE DOWN BKT STARTED AT 520-7956		
1	46-05270	PANEL, VALVE MOUNTING, RIGHT SIDE	1	3408-5054
	46-05180	PANEL, R. REAR WRAP AROUND	1	5055-
	HA-08009	SCREW, HEX HD, 5/16-18 x 3/4	7	3408-
	HA-08862	LOCKWASHER, 5/16	7	3408-
2	46-15380	PANEL, REAR	1	3408-4204
	46-05210	LEFT REAR PANEL FOR PROPANE		3408-4904
	46-0521A	LEFT REAR PANEL FOR GAS		4205-4904
	46-05190	REAR PANEL & CONTROL ROD GUIDE FAB (Gas & LPG) (Husco Valve)	1	4905-5433
	46-05196	REAR PANEL & CONTROL ROD GUIDE FAB (Gas & LPG) (Valvoil Valve)	1	5434-
	HA-08009	SCREW, HEX HD, 5/16-18 x 3/4	8	3408-
2A		PROPANE TANK SUPPORT (See Propane Fuel Section)		
	46-05220	RIGHT REAR PANEL FOR GAS		4205-
3	49-42460	FLAP, REAR PANEL	1	3408-
4	1M-42100	STRAP, FLAP RETAINER	1	3408-
	HD-08007	STUD, 5/16-18 x 1-3/4	2	3408-
	HA-08980	NUT, HEX, 5/16-18	2	3408-
5	7F-05002	VALVE MOUNTING PANEL (Vickers)	1	3408-4904
	7F-05020	VALVE MOUNTING PANEL (Husco)	1	4905-5433
	7F-05023	VALVE MOUNTING PANEL (Valvoil)	1	5434-
5A	7F-05025	ACCESS COVER (Control Valve Panel)	1	5434-7686
	7F-05025	ACCESS COVER (Control Valve Panel c/w Cutout)	1	7687-
	HA-08860	FLATWASHER, 5/16	4	3408-
	HA-08990	WING-NUT, 5/16-18	2	3408-
6	46-15530	PANEL, LEFT SIDE, C/W HINGE	1	3408-4204
6A	46-15532	PANEL, LEFT SIDE (Cut Out For Board Brush)	1	4205-4700
	46-15533	PANEL, LEFT SIDE (Cut Out For Board Brush)	1	4701-
	HA-08009	SCREW, HEX HD, 5/16-18 x 3/4	4	3408-
	HA-08862	FLAT WASHER, 5/16	2	3408-
	HA-08981	LOCKNUT, HEX, 5/16-18	4	3408-
	8T-12540	BUMPER, DOOR, RUBBER	2	3408-
	HA-04711	SCREW, FILLISTER HD, 10-32 x 1	2	3408-
	HD-05862	FLAT WASHER, SPECIAL	2	3408-
	HA-04981	LOCKNUT, HEX, 10-32	2	3408-
7	46-19000	BRACKET, PANEL SUPPORT CENTRE (Gal. Tank Only)	2	3408-
	HA-10011	SCREW, HEX HD, 3/8-16 x 1	4	3408-
	HA-10860	FLAT WASHER, 3/8	8	3408-
	HA-10981	LOCKNUT, HEX 3/8-16	4	3408-
8	46-15510	DOOR PANEL, LEFT SIDE (Use 46-05260)	1	3408-4204
8A	46-05260	DOOR PANEL, LEFT SIDE	1	4205-5744
	46-05260	DOOR PANEL, LEFT SIDE C/W VENT SLOTS	1	5745-
9	46-15540	PANEL, RIGHT SIDE C/W HINGE	1	3408-
	HA-08009	SCREW, HEX HD, 5/16-18 x 3/4	4	3408-
	HA-08860	FLAT WASHER, 5/16	2	3408-
	HA-08981	LOCKNUT, HEX, 5/16-18	4	3408-

**** ZAMBONI 520 ****

CONSOLIDATED PARTS LIST

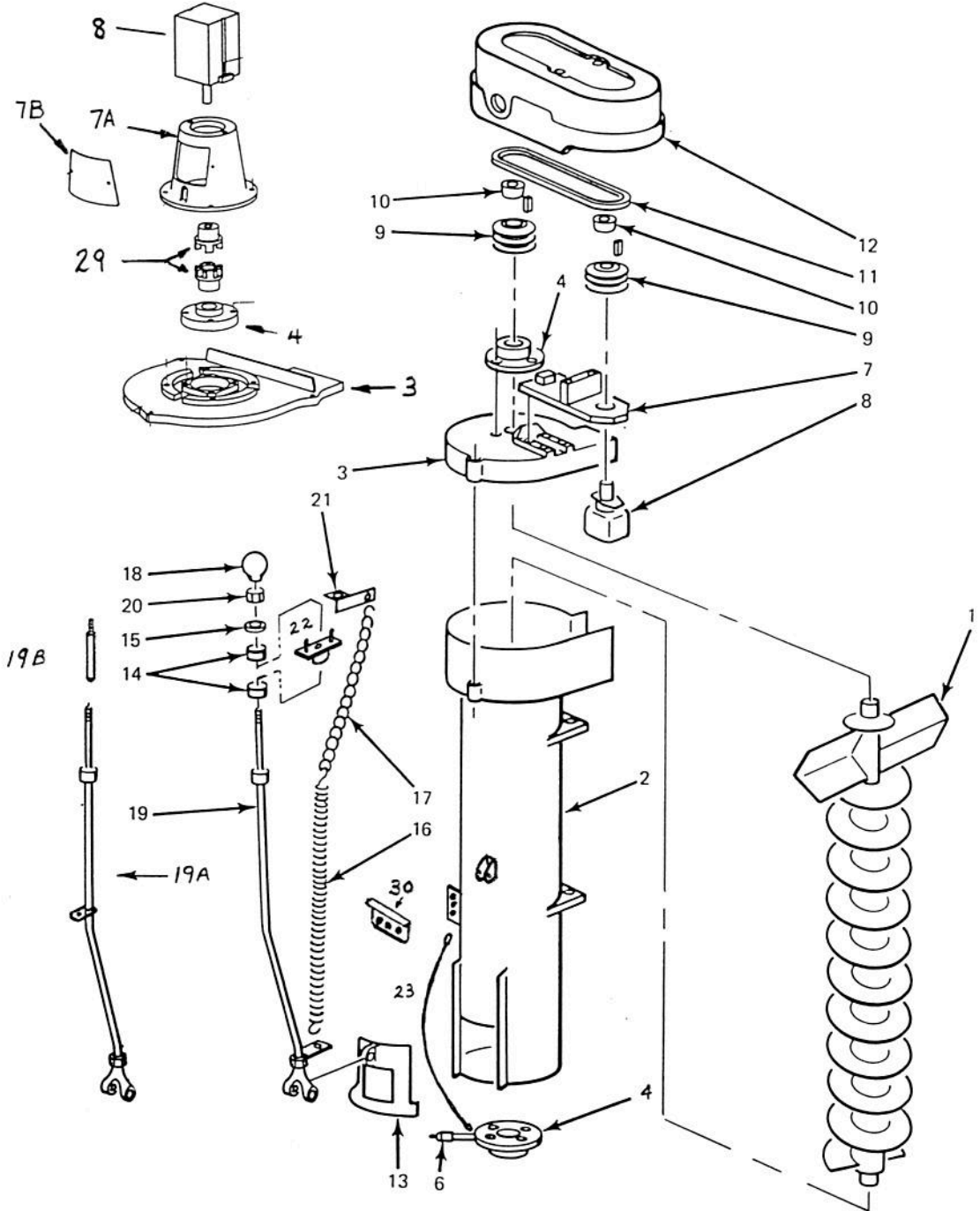
Group 5.10 BODY PANELS

IND	PART NO.	DESCRIPTION	QTY	S/N RANGE
10	47-17720	HINGE, SIDE DOOR PANEL	2	3408-
	HA-04706	SCREW, FILLISTER HD, 10-32 x 1/2	16	3408-
	HA-04981	LOCKNUT, HEX, 10-32	16	3408-
11	46-0500R	DOOR PANEL, RIGHT SIDE (Use 46-05250)	1	3408-4204
11A	46-05250	DOOR PANEL, RIGHT SIDE	1	4205-
12	46-17550	PANEL, FRONT	1	3408-
12A	46-17551	PANEL, MOUNT BRACKET (Moulded Into 46-17550)	2	3408-
	HA-10009	SCREW, HEX HD, 3/8 - 16-3/4	8	3408-
	HA-10860	FLAT WASHER, 3/8	8	3408-
	HA-10981	LOCKNUT, HEX 3/8-16	8	3408-
13	46-15320	BRACKET, FRONT PANEL SUPPORT	2	3408-
	HA-08011	SCREW, HEX HD, 5/16-18 x 1	2	3408-
	HA-08860	FLAT WASHER, 5/16	4	3408-
	HA-08981	LOCKNUT, HEX, 5/16-18	4	3408-
14	47-17840	LATCH, LEFT SIDE DOOR	1	3408-
	47-17850	LATCH, RIGHT SIDE DOOR	1	3408-
15	8T-15800	FRONT BUMPER	1	3408-
	8T-15900	FRONT BUMPER (C/W Lowered Guide Wheel Loc., Opt.)	1	5271-
	HA-14213	CARRIAGE SCREW, 1/2-13 x 1-1/4	4	3408-
	HA-14986	NUT, HEX FLEXLOCK, 1/2-13	4	3408-
16	8R-16700	GUIDE ROLL	1	3408-
17	15-15850	SHAFT, GUIDE WHEEL	1	3408-5054
	15-15520	SHAFT AND STRAP GUIDE WHEEL	1	5055-
	HA-55716	COTTER PIN 1/4 x 2	1	3408-
18	46-12570	BRACKET, DOOR SUPPORT	2	3408-
19	8T-12540	DOOR BUMPER 3/4" (Sub 8T-12550)	2	3408-4680
	8T-12550	DOOR BUMPER 1"	2	4680-
20	2H-0600A	MAGNETIC DOOR STRIP (2 Ft/Door)	4	4680-
21	1L-0520C	DOOR SPRINGS	2	4680-
22	45-05200	DOOR SPRINGS MOUNT BRACKET	2	4680-
23	5T-08002	WELDMENT (Battery Box & Filter)	1	3608-4700
	5T-08010	WELDMENT (Battery Box, Filter & B. Brush Plate)	1	4701-
24	5T-08005	BATTERY HOLD DOWN BRACKET	2	4701-
25	5T-16300	STIFFENER SUPPORT (Front Panel)	1	4701-
26	5T-30030	BRACE, SIDE PANEL (Gal. Tank Only)	2	3408-
27	38-16520	GUIDE PANEL, CONTROL RODS	1	3408-4904
28	46-05194	BRACKET CONTROL VALVE TRAVEL STOP (Husco)	1	4905-5433
29	46-05195	CONTROL VALVE TRAVEL STOP (Valvoil)	1	5434-
30	45-00200	MODULE MOUNT BRACKET	1	6132-8398

**** ZAMBONI 520 ****

CONSOLIDATED PARTS LIST

Group 6.10 VERTICAL CONVEYOR



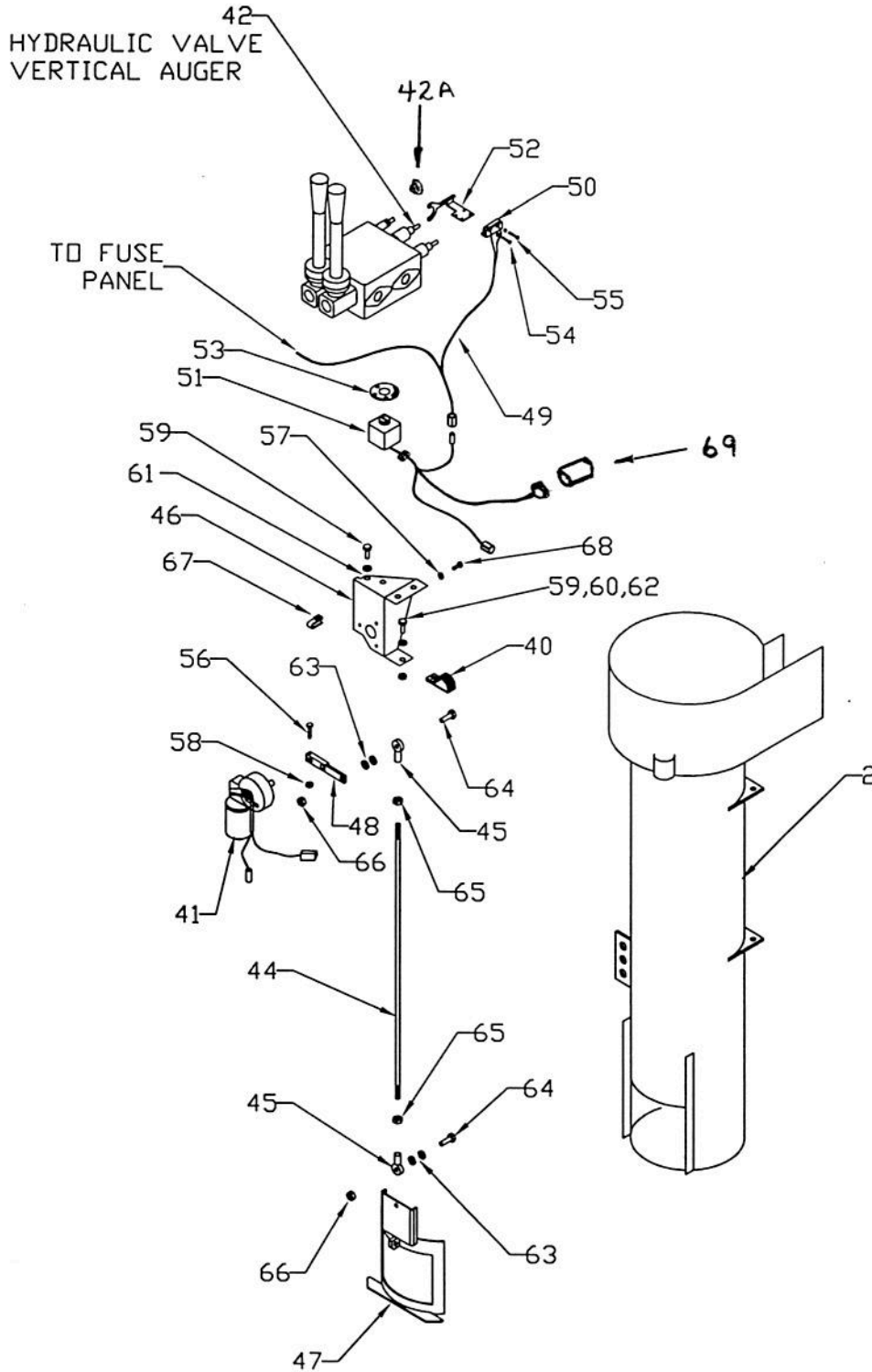
CONSOLIDATED PARTS LIST

Group 6.10 VERTICAL CONVEYOR & SNOW BREAKER

IND	PART NO.	DESCRIPTION	QTY	S/N RANGE
1	5A-69740	VERTICAL CONVEYOR	72 LBS 1	3408-
2	5A-79850	HOUSING, VERTICAL CONVEYOR	100 LBS 1	3408-5749
	5A-80000	HOUSING, VERTICAL AUGER	1	5750-6934
	5A-80000	HOUSING, VERTICAL AUGER (c/w Hydraulic Cylinder Mt.)	1	6935-
	HA-10011	SCREW, HEX HD, 3/8-16 x 1	4	3408-
	HA-10981	LOCKNUT, 3/8-16	4	3408-
3	5A-18890	COVER, SLINGER HOUSING	1	3408-5749
	HA-10029	SCREW, HEX HD, 3/8-16 x 6-1/2	3	3408-5749
	5A-05100	COVER, SLINGER (ALU.)	1	5750-
	HA-10030	SCREW HEX HD, 3/8-16 x 7" LG	3	5750-
	HA-10981	LOCKNUT, 3/8-16	3	3408-
4	1X-36642	BEARING, VERTICAL CONVEYOR, (Top & Bottom)	2	3408-
	HA-12014	SCREW, HEX HD, 7/16-14 x 1-1/2	8	3408-
	HA-12862	LOCKWASHER, 7/16	8	3408-
	Note: Bolts On Bottom Auger Bearing Changed To 7/16 NC			4322-Up
6	1Z-78960	ASS'Y, GREASE FITTING & EXTENSION	1	3408-3827
7	3M-70520	MOUNTING BRACKET, DRIVE MOTOR	1	3408-5749
7A	3M-11000	MOTOR MOUNT CASTING	1	5750-
7B	3M-11020	MOTOR MOUNT INSPECTION PLATE	1	5750-
8	2M-75090	MOTOR, HYDRAULIC (Vane M210-35)	1	3408-8575
	2M-74520	MOTOR (Hydraulic Gear M124-2.17)	1	8576-
	00-09397	SEAL KIT FOR 2M-75090 MOTOR		
	2M-0402B	HIGH PRESSURE SHAFT SEAL (For 2M-75090)	OPT	
	2M-75099	ROTOR ASSEMBLY (For 2M-75090)		
	2M-75096	RING (35) FOR 2M-75090	1	3408-
	00-07978	BEARING (For 2M-75090)	1	3408-
	HA-10011	SCREW, HEX HD, 3/8-16 x 1-1/4	2	3408-
	HA-10981	LOCKNUT, 3/8-16	2	3408-
9	41-56900	SHEAVE, VERTICAL CONVEYOR DRIVE	2	3408-
10	41-37960	BUSHING, TAPERLOCK, 1" BORE (Conveyor)	1	3408-5749
	15-02116	KEY, 1/4 SQUARE x 1-1/2	1	3408-
	41-37970	BUSHING, TAPERLOCK, 3/4" BORE (Motor)	1	3408-5749
	15-01116	KEY, 3/16 SQUARE x 1-1/2	1	3408-
11	42-75460	BELT, CONVEYOR DRIVE	1	3408-5749
12	49-71011	GUARD, DRIVE BELT	1	3408-5749
13	5C-69630	SNOW BREAKER	1	3408-
	HA-10014	SCREW, HEX HD, 3/8-16 x 1-1/2	1	3408-
	HA-10981	LOCKNUT, 3/8-16	1	3408-
	HA-10861	WASHER, 3/8 SAE	2	3408-
14	8T-75380	BUMPER, SNOW BREAKER, ROD	2	3408-
15	HA-10860	FLATWASHER, 3/8	1	3408-
16	1L-75400	SPRING, SNOW BREAKER (1/2" Dia.)	1	3408-5775
	1L-75400	SPRING, SNOW BREAKER (5/8" Dia.)	1	5776-
17	48-76646	CHAIN, SNOW BREAKER SPRING	1	3408-5427
	59-03060	CHAIN, SNOW BREAKER SPRING (1 Link)	2	5428-
18	4B-40830	KNOB, SNOW BREAKER ROD	1	3408-
19	5C-16930	ROD, SNOW BREAKER CONTROL (Incl. Bkt. & Clevis)	1	3408-5427
19A	5C-16930	ROD, SNOW BREAKER CONTROL (Incl. Bkt. & Clevis)	1	5428-
	36-01570	CLEVIS	1	3408-
	5T-71180	BRACKET	1	3408-
19B	5C-16920	ROD EXTENSION, SNOW BREAKER	1	6773-
20	HA-11980	NUT, HEX, 3/8-24	1	3408-
21	5T-71190	CLIP, SNOW BREAKER SPRING	1	3408-4904
	5T-73680	CLIP, SNOW BREAKER SPRING	1	4905-
22	38-16950	GUIDE, SNOW BREAKER ROD	1	3408-4904
	Note: Built Into Valve Panel			4905-Up
	10-1616A	BUSHING, TENSION, HARDENED	1	4905-
	HA-08980	LOCKNUT, 5/16-18	1	3408-
23	PL-0112B	HOSE, GREASE. BOTTOM BEARING TO AUG. 28" LG	1	3828-6753
	PL-0135B	HOSE, GREASE. BOTTOM BEARING TO BKT. 53" LG	1	6754-
29	2A-0400K	FLEX COUPLING 3/4 DIA TO 1" DIA	1	5750-
	2A-0400L	FLEX DISC FOR COUPLING	1	5750-
30	5T-30090	GREASE STATION BRACKET	1	6754-
	1Z-01580	GREASE NIPPLE 1/8 NPT	3	3828-

CONSOLIDATED PARTS LIST

Group 6.10 VERTICAL CONVEYOR & SNOW BREAKER



* * Z A M B O N I 5 2 0 * *

CONSOLIDATED PARTS LIST

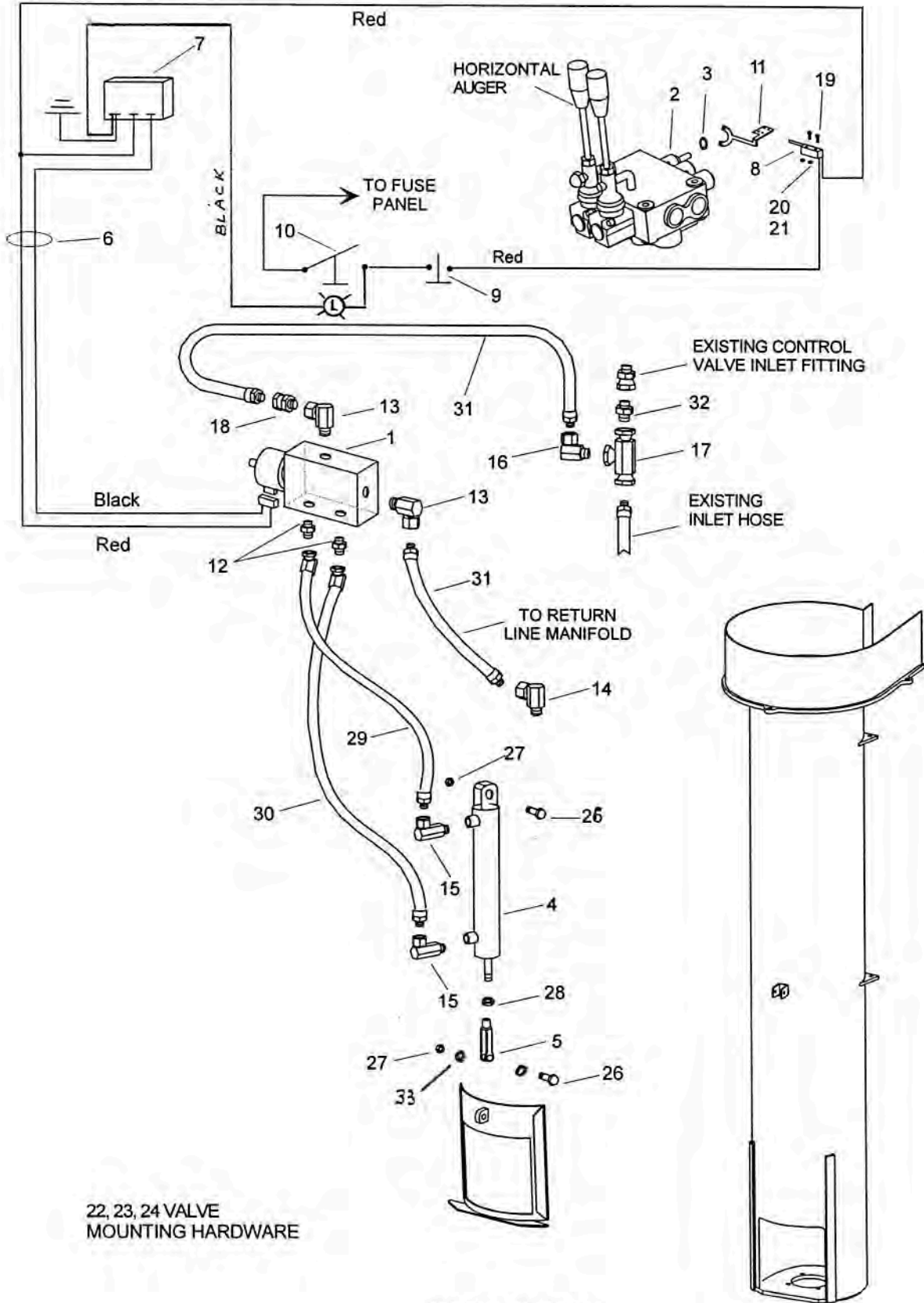
Group 6.10 ELECTRIC SNOW BREAKER (OPTIONAL)

IND	PART NO.	DESCRIPTION	QTY	S/N RANGE
40	27-30090	CLAMP, STEEL LOOM TYPE INSULATED 1-3/4" ID	1	6048-6922
41	2L-6963A	MOTOR, ELECTRIC, SNOW BREAKER	1	6048-6922
42	2V-75090	SPOOL CONTROL, LIMIT SWITCH	1	6048-6922
42A	2V-75091	COLLAR, MICROSWITCH ACTUATOR (Sub 2V-75092)	1	6048-6757
	2V-75092	COLLAR & WASHER, MICROSWITCH ACTUATOR	1	6758-6922
43	49-00100	COIL SLEEVING PLASTIC 1" ID	6"	6048-6922
44	4E-6963A	ROD AUTO SNOW BREAKER	1	6048-6922
45	4J-6963A	ROD END, FEMALE C/W GREASE FITTING, 3/8-24 NF	2	6048-6922
46	5C-69635	MT BKT AUTO SNOW BREAKER	1	6048-6922
47	5C-6963A	AUTO SNOW BREAKER	1	6048-6922
48	5C-69640	MOTOR PIVOT ARM	1	6048-6922
49	75-6963A	WIRING HARNESS	1	6048-6774
	75-6963A	WIRING HARNESS C/W RELAY PLUG	1	6775-6922
50	7P-0502A	MICROSWITCH, 1.5" ACTUATOR	1	6048-6922
51	7P-6963A	SWITCH, VARIABLE (16 Strokes/Min Max)	1	6048-6776
	7P-6963A	SWITCH, VARIABLE (7 Strokes/Min Max)	1	6777-6922
	7P-6963C	RUBBER BOOT FOR SWITCH	1	6048-6922
52	7T-55235	BRACKET, MICROSWITCH MOUNT	1	6048-6922
53	83-6963A	DECAL, AUTO SNOW BREAKER	1	6048-6922
54	HA-01013	SCREW, HEX HEAD, 6 X 32 NC X 1" LG PLATED	2	6048-6922
55	HA-01994	LOCKNUT, 6 X 32 NC	2	6048-6922
56	HA-06013	SCREW, HEX HEAD, 1/4"-20 NC x 1-1/4" LG	1	6048-6922
57	HA-06862	WASHER, LOCK 1/4" D.A.	1	6048-6922
58	HA-06981	NUT, LOCK 1/4" - 20 NC	3	6048-6922
59	HA-08011	BOLT, HEX HEAD, 5/16" - NC X 1" LG	4	6048-6922
60	HA-08860	WASHER, FLAT 5/16"	1	6048-6922
61	HA-08862	WASHER, LOCK 5/16"	3	6048-6922
62	HA-08981	NUT, LOCK 5/16" - 18 NC	1	6048-6922
63	HA-10862	WASHER, LOCK 3/8"	3	6048-6922
64	HA-11013	SCREW, HEX HEAD 3/8"-24 x 1-1/4"	2	6048-6922
65	HA-11980	NUT, HEX 3/8"-24NF	2	6048-6922
66	HA-11988	NUT, HEX CENTRELOCK 3/8-24NF	2	6048-6922
67	HA-72902	FASTENER, J TYPE NUT RETAINING 5/16" x 18	3	6048-6922
68	HM-09011	M6 x 1.0P x 20MM LG HEX HEAD BOLT, PLATED	3	6048-6922
N/S	5H-72200	CONDITIONER LIFT SPACER (Note: For Retrofits to Machines Prior to Serial No.6434)	2opt.	6048-6922
69	3E-0520A	RELAY	1	6775-6922

CONSOLIDATED PARTS LIST

Group 6.10 HYDRAULIC SNOW BREAKER

Serial Number Range: 6923-



22, 23, 24 VALVE MOUNTING HARDWARE

**** Z A M B O N I 5 2 0 ****

CONSOLIDATED PARTS LIST

Group 6.10 HYDRAULIC SNOW BREAKER (OPTIONAL)

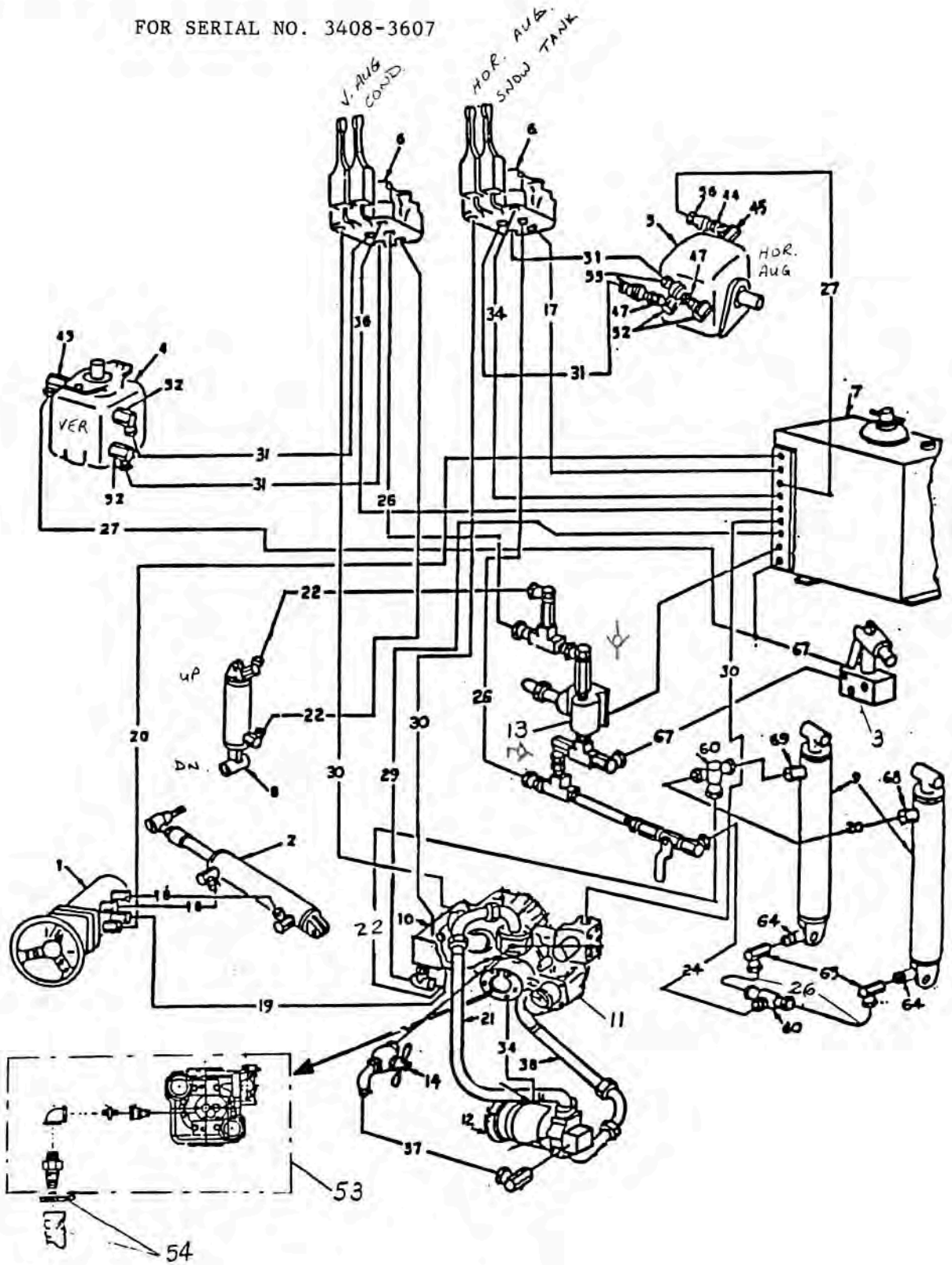
IND	PART NO.	DESCRIPTION	QTY	S/N RANGE
	KZ-6964A	B/M HYDRAULIC SNOW BREAKER KIT		
1	2V-69630	SOL. VALVE, HYD, 4 WAY (c/w Packard Plug & Diode)	1	6923-
2	2V-75090	VALVE SPOOL CONTROL (For Limit Sw. on 2V-75060,76552,5450A)	1	6923-
3	2V-75092	COLLAR & WASHER (Valve Microswitch Actuator)	1	6923-
4	2Y-69630	HYDRAULIC CYLINDER 1" BORE x 8" STROKE	1	6923-
5	36-01570	YOKE, CLEVIS	1	6923-
6	75-69650	WIRING HARNESS, HYD. SNOW BREAKER	1	6923-
7	79-69630	TIMER, MULTIFUNCTIONAL BLOCK	1	6923-
8	7P-0502A	MICROSWITCH, 1.5" ACTUATOR (For Valve c/w 10mm Handle)	1	6923-7933
	2V-75120	MICROSWITCH (For Valve c/w 8 MM Handle)	1	7934-8143
	7P-0502A	MICROSWITCH, 1.5" ACTUATOR (For Valve c/w 10mm Handle)	1	8144-
9	7P-69641	SWITCH, PUSH BUTTON, N.C. (c/w 1/4"Spades)	1	6923-
10	7P-77370	ROCKER SWITCH (Spst Red Pilot Light On/Off)	1	6923-
11	7T-55235	BRACKET, MICROSWITCH MOUNT	1	6923-
12	F1-62090	ADAPTER, STRAIGHT, 06MB, 06MJ	2	6923-
13	F1-69030	ADAPTER, 90 DEG, 06MORB, 06FS	2	6923-
14	F1-69050	ELBOW, 90 DEG, 08MORB, 06FPX	1	6923-
15	F2-69010	ELBOW, 90 DEG, 02FPX, 02MP	2	6923-
16	F2-69090	ELBOW, 90 DEG, 06FPX, 08MP	1	6923-
17	F2-81040	TEE, 08 FPX, 08FPX, 08FPX	1	6923-
18	F2-9304K	RESTRICTOR, .078" 06MP, 06FPX	1	6923-
19	HA-01013	SCREW, HEX HEAD, 6 x 32 NC x 1" LG PLATED	2	6923-
20	HA-01994	LOCKNUT, 6 x 32 NC	2	6923-
21	HA-04860	WASHER, FLAT 3/16 PLATED	2	6923-
22	HA-06011	SCREW, HEX HEAD 1/4" x 20" x 1"	1	6923-
23	HA-06015	SCREW, HEX HEAD 1/4" x 20" x 1-3/4"	2	6923-
24	HA-06981	NUT, LOCK 1/4" - 20 NC	3	6923-
26	HA-10014	SCREW, HEX HEAD CAP 3/8" - 16 x 1-1/2"	2	6923-
27	HA-10981	NUT, HEX HEAD LOCK 3/8" - 16 NC	2	6923-
28	HA-11982	NUT, JAM HEX 3/8" - 24" NF	1	6923-
29	PM-1076H	HOSE, HM, 04 x 19, 02MP, 06 FJICX 45 DEG	1	6923-
30	PM-1104H	HOSE, HM, 04 x 26, 02MP, 06 FJICX 45 DEG	1	6923-
31	PM-3120C	HOSE, HM, 06 x 30, 06MP, 06MP	2	6923-
32	FL-62070	ADAPTER, 08MP x 08MP	1	6923-
33	HA-10861	3/8 WASHER SAE	2	6923-

NOTE: FACTORY SET AT 6 STROKES/MIN @ 2700 RPM ENGINE SPEED.

CONSOLIDATED PARTS LIST

GROUP 7.10 HYDRAULIC SYSTEM

FOR SERIAL NO. 3408-3607



**** ZAMBONI 520 ****

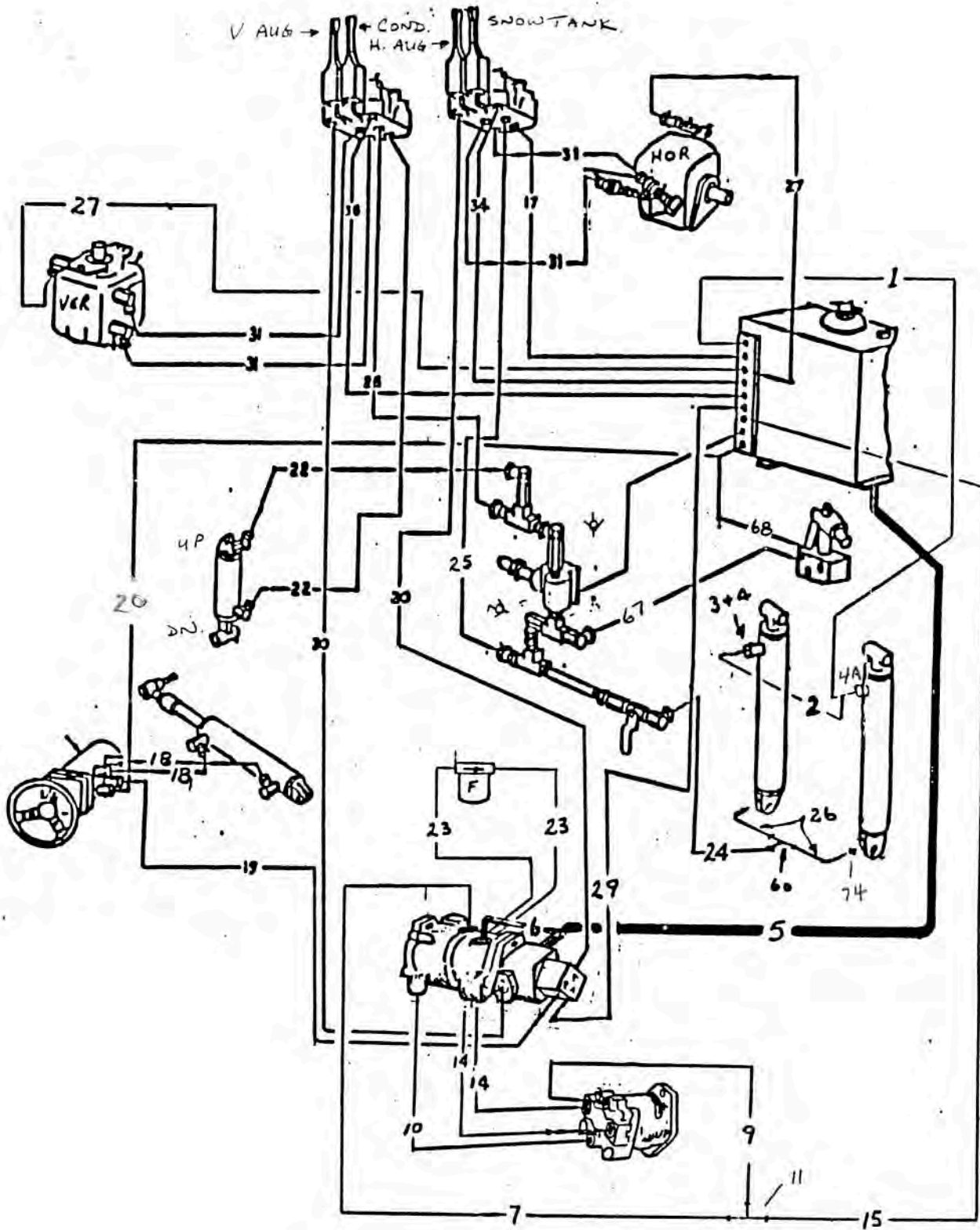
CONSOLIDATED PARTS LIST

Group 7.10 HYDRAULIC SYSTEM

IND	PART NO.	DESCRIPTION	QTY	S/N RANGE
		Items shown without part number are identified under another group – see appropriate group.		
1 to 14		Refer to other group number for more specific details. Eg. Item 11, Hydrostatic Pump – detailed in Group 7.30.		
17	PM-1076B	HOSE, 06MP x 06MP x 19	1	3408-3607
18	PM-1692B	HOSE, 04MP x 06MP x 168	2	3408-3607
19	PM-1540B	HOSE, 06MP x 06MP x 135	1	3408-3607
20	PM-1240C	HOSE, 04MP x 06MP x 60	2	3408-3607
21	PC-6063C	HOSE, 16HS x 16F7 x 15-5/8	3	3408-3607
22	PM-1176B	HOSE, 06MP x 06MP x 44	2	3408-3607
24	PM-1464B	HOSE, 06MP x 06MP x 116	1	3408-3607
26	PM-1120B	HOSE, 06MP x 06MP x 30	4	3408-3607
27	PM-3180B	HOSE, 06MP x 06MP x 45	2	3408-3607
29	PM-3436B	HOSE, 06MP x 06MP x 109	1	3408-3607
30	PM-4488B	HOSE, 08MP x 08MP x 122	3	3408-3607
31	PM-4248B	HOSE, 08MP x 08MP x 62	4	3408-3607
34	PM-4072B	HOSE, 08MP x 08MP x 18	2	3408-3607
36	PM-4104B	HOSE, 08MP x 08MP x 26	1	3408-3607
37	PF-3104B	HOSE, 06MP x 06MP x 26	1	3408-3607
38	PC-6080B	HOSE, 16HS x 16F7 x 20	1	3408-3607
44	F2-62020	ADAPTER, 06MP x 06MPA (NPSM)	1	3408-3607
45	F2-69080	90° ELBOW, SHORT, 06FS x 06MP	2	3408-3607
47	F2-62030	ADAPTER, 08MP x 08MPA (NPSM)	2	3408-3607
52	F2-69130	90° ELBOW, SHORT, 08FS x 12MP	4	3408-3607
53		SEE HYDROSTATIC PUMP	4	3408-3607
54		SEE HYDRAULIC OIL TANK		
55A	FW-38410	QD COUPLING HALF, MALE, 1/2" HOSE	2	3408-3607
55B	FW-39410	QD COUPLING HALF, FEMALE, 1/2" HOSE	2	3408-3607
56A	FW-38240	QD COUPLING HALF, MALE, 3/8" HOSE	1	3408-3607
56B	FW-39240	QD COUPLING HALF, FEMALE, 3/8" HOSE	1	3408-3607
60	F2-81030	TEE, 06FS x 06FS x 06FS	2	3408-3607
64	FD-0116E	NIPPLE, SCHED 40, 1/2 NPT x 2	2	3408-3607
65	F2-70080	90° ELBOW, 06FS x 06FP	2	3408-3607
67	PM-1072C	HOSE, 04MP x 06MP x 18	2	3408-3607
68	F2-64090	ADAPTER, 06FS x 08MP	1	3408-3607
69	FL-62060	HEX NIPPLE, 30 DEG SEATS, 08MP x 06MP	1	3408-3607

CONSOLIDATED PARTS LIST

GROUP 7.10 HYDRAULIC SYSTEM
FOR SERIAL NO. 3608 - 4641



CONSOLIDATED PARTS LIST

Group 7.10 HYDRAULIC SYSTEM

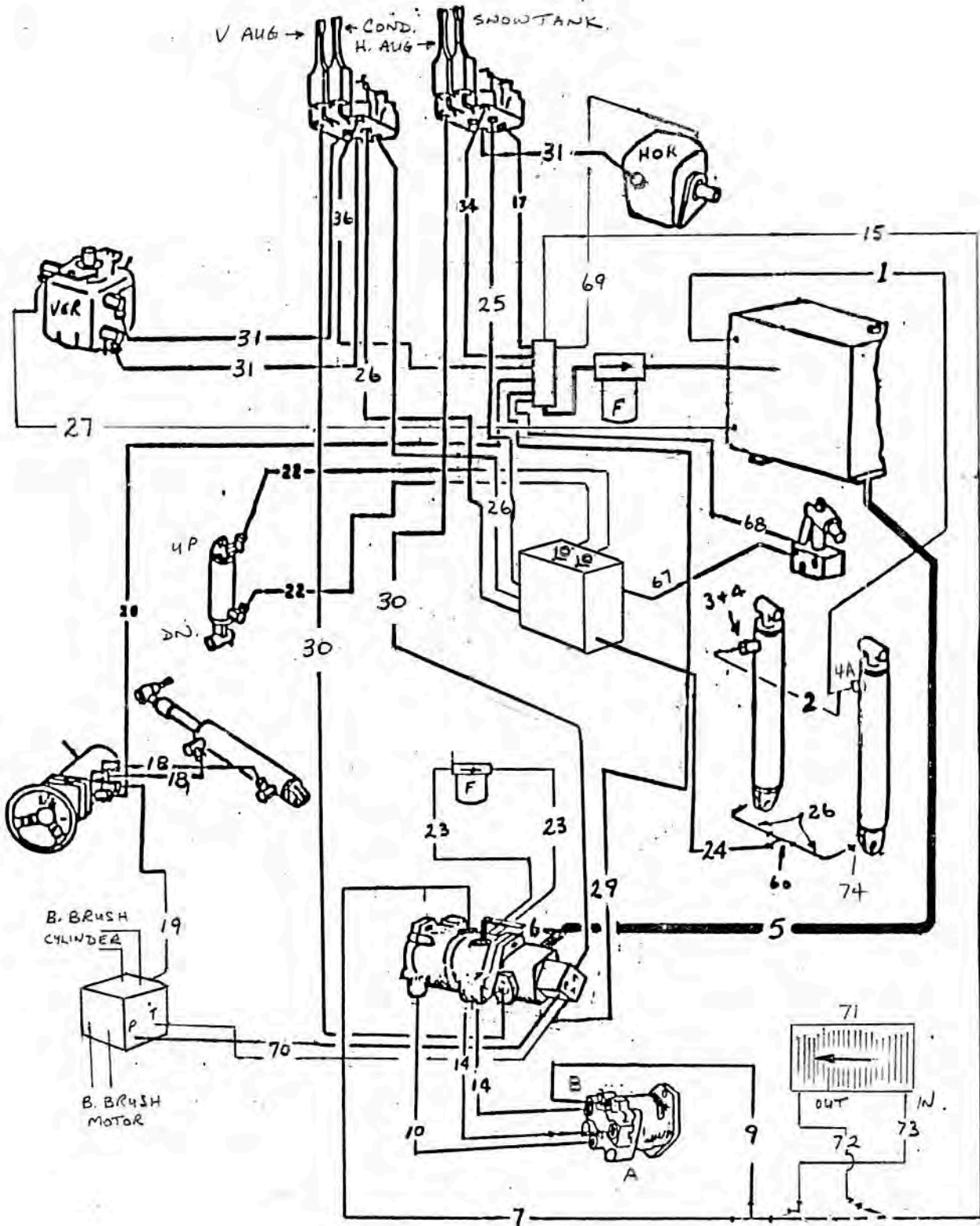
IND	PART NO.	DESCRIPTION	QTY	S/N RANGE
1	P6-1000B	HOSE 1/4 ID x 144.00	1	3608-
2	P6-1000B	HOSE 1/4 ID x 55.00	1	3608-
3	27-2001A	CLAMP HOSE	4	3608-
4	FW-43061	CONNECTOR HOSE 1/4 x 3/8 NPT	4	3608-
4A	FL-82180	TEE, 06MP, 06FP, 06FP	1	3608-
5	PX-6000A	HOSE, 2 ID x 91 LG (Priced per ft.)	1	3608-
6	PX-3000B	HOSE, 1 ID x 10.5 LG (Priced per ft.)	1	3608-
7	PM-4092C	HOSE, HM, 08, 023.00, 12MP, 8MP	1	3608-7687
	PM-6098B	HOSE, HM, 12, 024.50, 12MP, 12FS	1	7323,7688-
8	27-2036A	CLAMP HOSE 2" # 36	4	3608-
9	PM-6056B	HOSE, HM, 12, 014.00, 12MP, 12MP	1	3608-7687
	PM-4092C	HOSE, HM, 08, 023.00, 12MP, 8MP	1	7688-
10	PM-6094B	HOSE, HM, 12, 023.50, 12MP, 12MP	1	3608-6131
	PM-6098B	HOSE, HM, 12, 024.50, 12MP, 12MP	1	6132-7687
11	F2-81050	TEE, FP SWIVEL, 12FS, 12FS, 12FS	1	3608-
12	27-2016A	CLAMP HOSE 1 # 16	4	3608-
14	PC-6069B	HOSE, HT, 16, 016.62, 16TN, 16FJX45	2	3608-4641
	PC-4067B	HOSE, HT, 12, 016.62, 12TN, 12FJX45	2	4642-6131
	PC-4075B	HOSE, HT, 12, 018.62, 12TN, 12FJX45	2	6132-7687
14A	PC-4071C	HOSE, HT, 12, 017.75, 12FJX, 12FJX45	1	7323,7688-
14B	PC-4086C	HOSE, HT, 12, 021.38, 12FJX, 12FJX45	1	7323,7688-
15	PM-6432B	HOSE, HM, 12, 108.00, 12MP, 12MP	1	3608-
17	PM-1076B	HOSE, HM, 04, 019.00, 06MP, 06MP (Sub PM-3076C)	1	3608-4700
	PM-3076C	HOSE, HM, 06, 019.00, 06MP, 06MP	1	4701-
18	PM-1692B	HOSE, HM, 04, 168.00, 04MP, 06MP	2	3608-4641
	PM-1692C	HOSE, HM, 04, 168.00, 04MP, 06FJX	2	4642-
19	PM-1540C	HOSE, HM, 04, 135.00, 06MP, 06FJX (Sub PM-3540C)	1	3608-4260
	PM-3540C	HOSE, HM, 06, 135.00, 06MP, 06FJX	1	4261-4641
	PM-3540D	HOSE, HM, 06, 135.00, 06FJX, 06FJX	1	4642-
20	PM-1240C	HOSE, HM, 04, 060.00, 06MP, 06MP (Sub PM-3252B)	1	3608-4239
	PM-3252B	HOSE, HM, 06, 063.00, 06MP, 06MP	1	4240-4641
	PM-3252C	HOSE, HM, 06, 063.00, 06MP, 06FJX	1	4642-
22	PM-1176B	HOSE, HM, 04, 044.00, 06MP, 06MP	2	3608-4701
	PM-1120B	HOSE, HM, 04, 030.00, 06MP, 06MP	2	4701-
23	PM-4092B	HOSE, HM, 08, 023.00, 08MP, 08MP	2	3608-4700
	PM-4104C	HOSE, HM, 08, 026.00, 08MP, 10FJX90L	2	4701-
24	PM-1464B	HOSE, HM, 04, 116.00, 06MP, 06MP	1	3608-
25	PM-1120B	HOSE, HM, 04, 030.00, 06MP, 06MP (Sub PM-3120C)	1	3608-4700
	PM-3120C	HOSE, HM, 06, 030.00, 06MP, 06MP	1	4701-
26	PM-1120B	HOSE, HM, 04, 030.00, 06MP, 06MP	4,5	3608-
27	PM-3180B	HOSE, HM, 06, 045.00, 06MP, 06MP (Both Motors)	2	3608-5427
	PM-3180B	HOSE, HM, 06, 045.00, 06MP, 06MP (Vertical Only)	1	5428-5749
	PM-3260A	HOSE, HM, 06, 065.00, 06MP, 06MP	1	5750-
29	PM-3436C	HOSE, HM, 06, 109.00, 06MP, 06FJX	1	3608-
30	PM-4488B	HOSE, HM, 08, 122.00, 08MP, 08MP	2	3608-
31	PM-4248B	HOSE, HM, 08, 062.00, 08MP, 08MP	4	3608-
34	PM-4072B	HOSE, HM, 08, 018.00, 08MP, 08MP	1	3608-
36	PM-4104B	HOSE, HM, 08, 026.00, 08MP, 08MP	1	3608-
60	F2-81030	TEE, FP SWIVEL, 06FS, 06FS, 06FS	1	3608-
67	PM-1072C	HOSE, HM, 04, 018.00, 04MP, 06MP	1	3608-4641
	PM-1068D	HOSE, HM, 04, 017.00, 06MP, 06FJX90	1	4642-
68	PM-1072C	HOSE, HM, 04, 018.00, 04MP, 06MP	1	3608-4641
	PM-1080C	HOSE, HM, 04, 020.00, 04MP, 06MP	1	4642-

**** ZAMBONI 520 ****

CONSOLIDATED PARTS LIST

Group 7.10 HYDRAULIC SYSTEM

Serial Number Range: 4642-7687

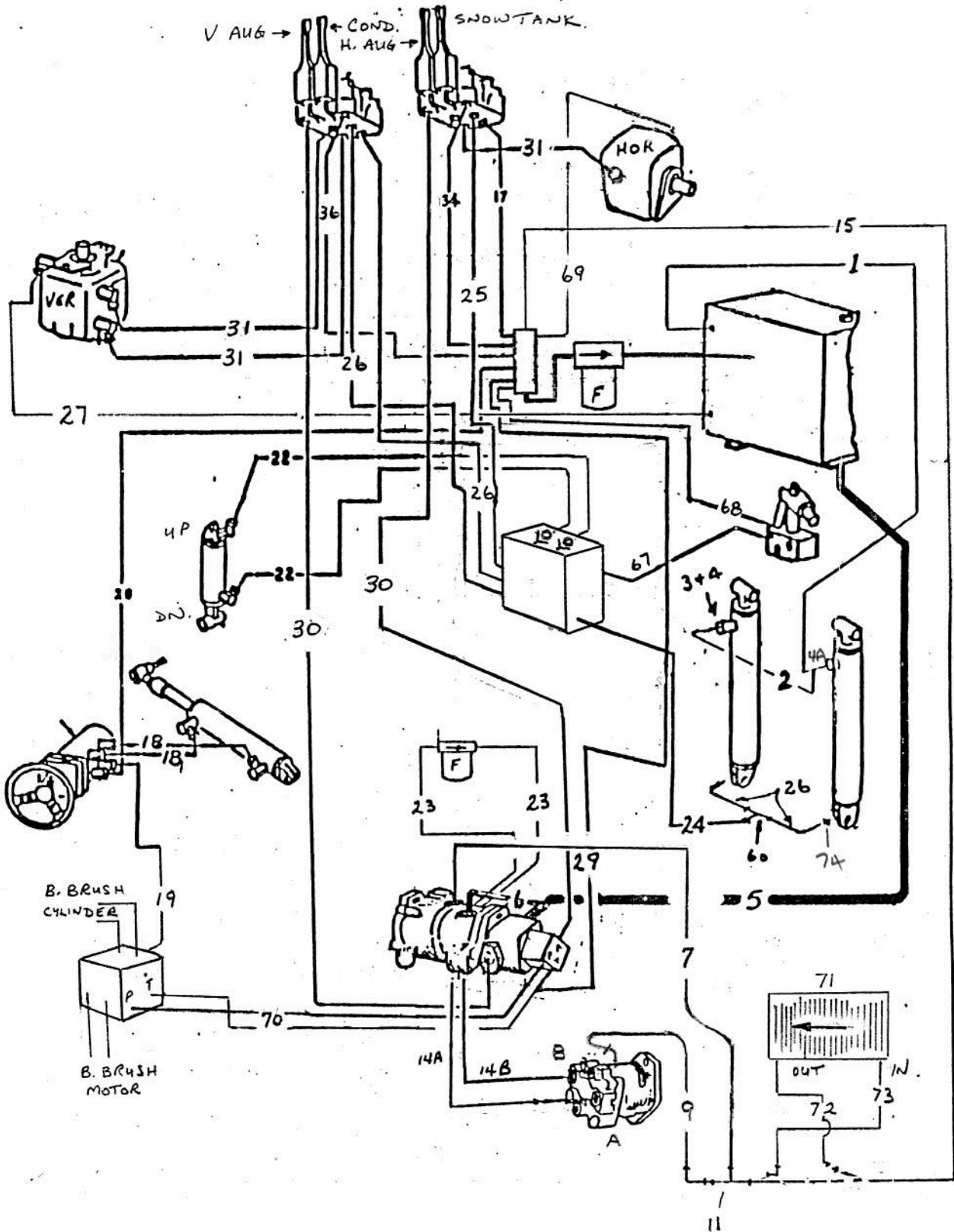


**** ZAMBONI 520 ****

CONSOLIDATED PARTS LIST

Group 7.10 HYDRAULIC SYSTEM

Serial Number Range: 7323,+ 7688 -



**** Z A M B O N I 520 ****

CONSOLIDATED PARTS LIST

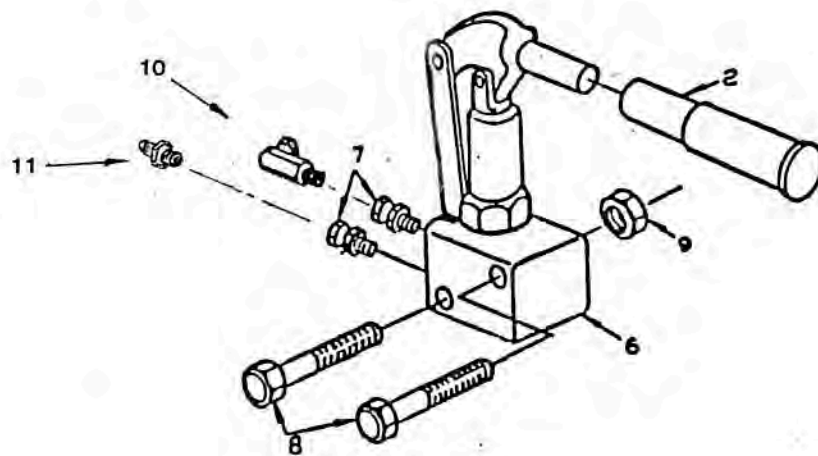
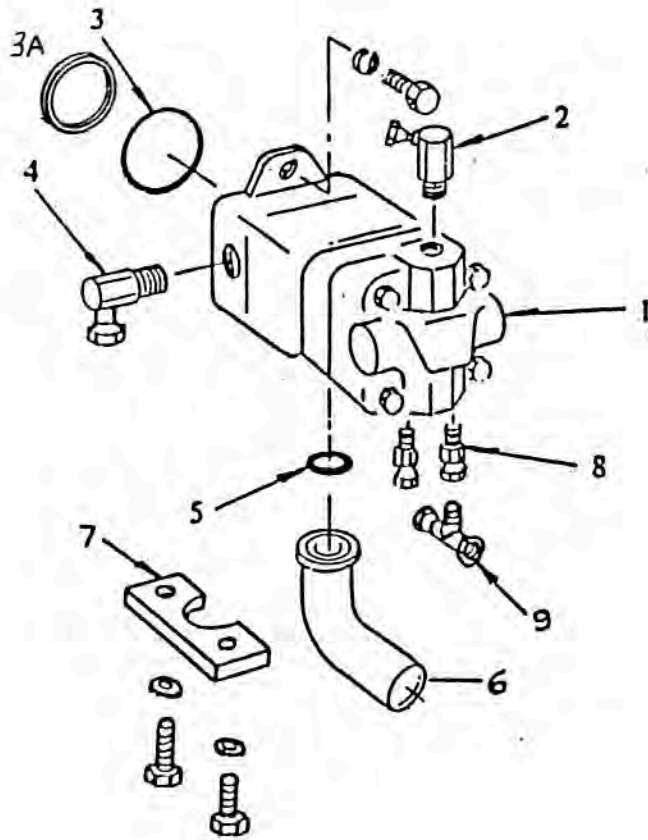
Group 7.10 HYDRAULIC SYSTEM

IND	PART NO.	DESCRIPTION	QTY	S/N RANGE
69	PM-4184B	HOSE, HM, 08, 046.00, 08MP, 08MP	1	5428-6408
	PM-6158B	HOSE, HM, 12, 045, 12MP, 12MP	1	6409-
70	PM-3102A	HOSE, HM, 06, 025.50, 06FJX90S, 06MP	2	4701-
OPTIONAL OIL COOLER				
	KZ-0513G	OIL COOLER KIT RAD MOUNTED	1	3608-
71	3C-13070	OIL COOLER C/W BY-PASS	1	3608-
	F1-69120	90° ELBOW, 12MORB x 12FPX	2	3608-
72	PM-6152B	HOSE, HM, 12, 38.0, 12MP, 12MP	1	3608-
73	PM-6264B	HOSE, HM, 12, 66.0, 12MP, 12MP	1	3608-
74	F2-64090	STRAIGHT, ADAPTER, 1/2 MP X 3/8 FS	2	3608-
75	3C-13080	COOLER MOUNT BRACKET	1	3608-
76	3C-13081	COOLER MOUNT BRACKET	1	3608-

**** ZAMBONI 520 ****

CONSOLIDATED PARTS LIST

GROUP 7.20 HYDRAULIC DOUBLE PUMP & HAND PUMP



**** ZAMBONI 520 ****

CONSOLIDATED PARTS LIST

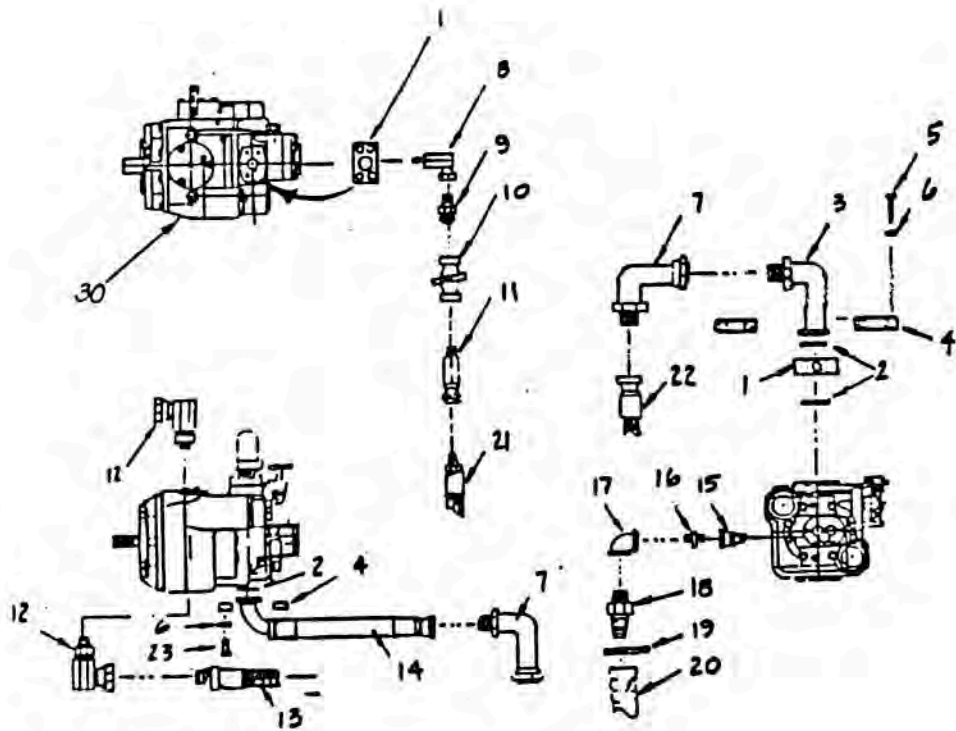
Group 7.20 HYDRAULIC DOUBLE PUMP & HAND PUMP

IND	PART NO.	DESCRIPTION	QTY	S/N RANGE
		HYDRAULIC DOUBLE PUMP		
1	2P-19030	PUMP, HYDRAULIC DOUBLE (V2020P, 20 Design)	1	3408-3607
	2P-07000	PUMP, HYDRAULIC DOUBLE (V2010P)	1	3608-4873
	2P-06100	PUMP, HYDRAULIC DOUBLE (V2020P, 30 Design, 42 lb.)	1	4874-
	00-07499	SEAL KIT FOR V2020P PUMP	1	
	1X-62460	BEARING FOR V2020P PUMP	1	
	2P-19035	PUMP RELIEF VALVE SHIM KIT	A/R	
	2P-19038	PRIORITY VALVE PISTON FOR V2020P	1	
	2P-19039	PRIORITY VALVE SPRING FOR V2020P	1	
	1L-02280	RELIEF VALVE SPRING (500-750 PSI)	1	
	1L-02281	RELIEF VALVE SPRING (1500-2500 PSI)	1	
	HA-14014	SCREW, HEX HD, 1/2-13 x 1-1/2	2	3408-
	HA-14862	LOCKWASHER, 1/2	2	3408-
2	F1-69090	90° ELBOW, 10MB x 08FS	1	3408-3607
	F1-69060	90° ELBOW, 08MB x 08FS	1	3608-4873
	F1-69090	90° ELBOW, 10MB x 08FS	1	4874-
3	2E-0242B	O-RING	1	3408-3607
	2E-0045B	O-RING (3-7/8 x .070 Cross)	1	3608-
3A	2P-05867	SQ. "O" RING, 3-3/4 ID x 1/8 SQ (Start at Pump S.N. 87-44)	1	3608-
4	F1-69110	90° ELBOW, 12MB x 08FS	1	3408-
5	2E-0228B	O-RING (1/8 x 2-1/4 OD)	1	3408-3607
	2E-0228B	O-RING (1/8 x 2-1/4 OD)	1	4874-
	2E-0225B	O-RING (1/8 x 1-7/8 OD)	1	3608-4873
6	FW-54410	90° ELBOW, 2" HOSE x 2" SPLIT FLANGE	1	3408-3607
	23-06000	HYDRAULIC MANIFOLD PIPE (For V2010P)	1	3608-4873
	23-05000	HYDRAULIC MANIFOLD PIPE (For V2020P)	1	4874-
7	FO-96060	SPLIT FLANGE HALF, SAE 61, 2" (For V2020P)	2	3408-3607
	FO-96060	SPLIT FLANGE HALF, SAE 61, 2" (For V2020P)	2	4874-
	HA-14014	SCREW, HEX HD, 1/2-13 x 1-1/2	4	3408-
	HA-14862	LOCKWASHER, 1/2	4	3408-
	FO-96050	SPLIT FLANGE HALF SAE 61, 1-1/2" (For V2010P)	2	3608-4873
8	F1-64330	ADAPTER, 08MB x 06FS	2	3408-3607
	F1-62090	ADAPTER, 06MB x 06MJ (For V2010P)	2	3608-4873
	F1-62140	ADAPTER, 08MB x 06MJ (For V2020P, No B.Brush)	2	4874-
	F1-62140	ADAPTER, 08MB x 06MJ (For V2020P, With B.Brush)	1	4874-
	F1-79052	TEE, 08MB x 06MJ x 06MJ (For V2020P, With B.Brush)	1	4874-
9	F2-81130	TEE, 06FS RUN x 06FP BRANCH	1	3408-3607
	F1-79050	TEE, 06MB x 06MJ x 06MJ (For Brd Brush V2010 Pump)	1	4857-4873
	F1-79052	TEE, 08MB x 06MJ x 06MJ (For V2020 Pump)	1	4874-
		HAND PUMP		
2	4A-40770	HANDLE, HAND PUMP	1	3408-
6	2P-10000	HAND PUMP (Sub 2P-10010, NPT Ports)	1	3408-3827
	2P-10010	HAND PUMP (c/w Relief Valve 1800 PSI, NPT Ports)	1	3828-5090
	2P-10020	HAND PUMP (c/w Relief Valve 2000 PSI, SAE Ports)	1	5091-7325
	2P-20010	HAND PUMP (SAE Ports, No Relief Valve)	1	7326-
7	F2-64040	ADAPTER, 04FS x 04MP	2	3408-3827
8	HA-10018	SCREW, HEX HD, 3/8-16 x 2-1/2	2	3408-
9	HA-10981	LOCKNUT, HEX, 3/8-16	2	3408-
10	F2-69040	90° ADAPTER, 04MP x 04FPS	1	4645-5090
	F1-69010	90° ADAPTER, 04MB x 04FPS	1	5091-
11	F3-62650	ADAPTER, STRAIGHT 04MP x 06MJ	1	4645-5090
	F1-62030	ADAPTER, STRAIGHT 04MB x 06MJ	1	5091-

* * Z A M B O N I 520 * *

CONSOLIDATED PARTS LIST

GROUP 7.30 HYDROSTATIC PUMP & FITTINGS



**** Z A M B O N I 520 ****

CONSOLIDATED PARTS LIST

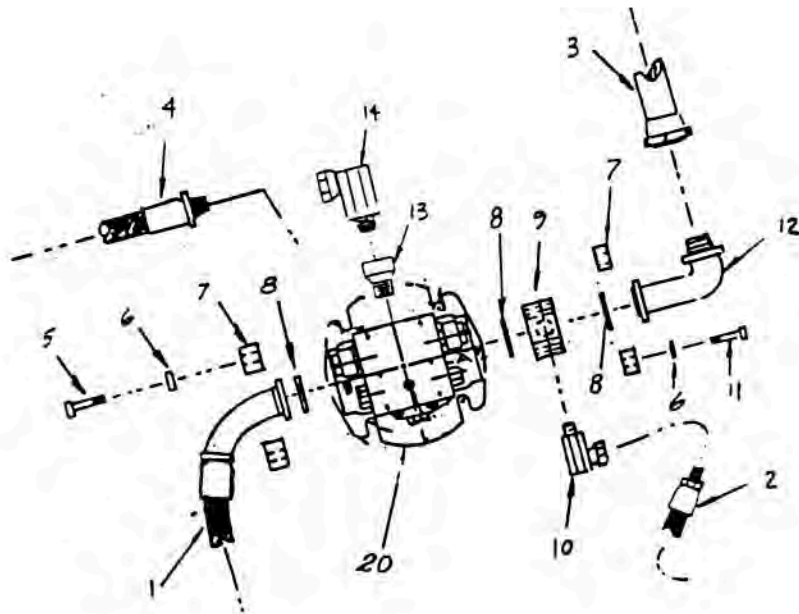
Group 7.30 HYDROSTATIC PUMP & FITTINGS

IND	PART NO.	DESCRIPTION	QTY	S/N RANGE
1	FO-99010	TEE, BY-PASS	1	3408-3607
2	2E-0219B	O-RING	3	3408-3607
3	FO-67230	90° ELBOW, 16MJ x 16HY	1	3408-3607
4	FO-96030	SPLIT FLANGE HALF, 1"	4	3408-3607
5	HA-10018	SCREW, HEX HD, 3/8-16 x 2-1/2	4	3408-3607
6	HA-10862	LOCKWASHER, 3/8	4	3408-3607
7	F3-71070	90° ELBOW, 16MJ x 16FJ	2	3408-3607
8	F2-69080	90° ELBOW, SHORT, 06FS x 06MP	1	3408-3607
9	F2-62020	ADAPTER, 06MP x 06MPA (NPSM)	1	3408-3607
10	2V-78920	VALVE, BY-PASS	1	3408-3607
11	F2-75070	45° ELBOW, 06FS x 06MP	1	3408-3607
12	F1-69090	90° ELBOW, 10MB x 8FS	1	3408-3607
13		SEE HYDRAULIC SYSTEM		
14		SEE HYDRAULIC SYSTEM		
15	F1-64830	ADAPTER, 10MB x 12FS	1	3408-3607
16	FL-62100	HEX NIPPLE, 30 DEG SEATS, 16 MP x 12MP	1	3408-3607
17	FD-02260	90° ELBOW, 1 NPT	1	3408-3607
18	FW-42160	COUPLING, 1" HOSE x 16 MP	1	3408-3607
19	27-2016A	HOSE CLAMP	1	3408-3607
20		SEE HYDRAULIC OIL TANK	1	3408-3607
21		SEE HYDRAULIC SYSTEM		
22		SEE HYDRAULIC SYSTEM		
23	HA-10014	SCREW, HEX HD 3/8-16 x 1-1/2	4	3408-3607
30	2P-78370	PUMP, HYDROSTATIC	1	3408-3607
	00-07949	SEAL KIT, SERIES 22 STD DISPLACEMENT CONTROL	1	3408-3607
	2P-05860	PUMP, HYDROSTATIC (MD46)	1	3608-5784
	2P-05870	PUMP, HYDROSTATIC (MD46, Long Shaft, 84 lb.)	1	5785-
	2P-05871	SHAFT (15T Long x 13T for 2P-05860 & 2P-05870)	1	
	2P-05872	SHAFT BEARING FOR M46	1	
	2P-05864	SHAFT SEAL FOR 2P-05860& 2P-05870	1	3608-
	KZ-0586P	CONTROL SPOOL SEAL KIT (For 2P-05860, 2P-05870 & 2P-0403A)	1	3608-
	2P-0586L	CONTROL SPOOL LEVER (2P-05860 & 2P-05870)	1	3608-
	KZ-0587S	SHAFT KIT (15T Long x 13T for 2P-05860 & 2P-05870)	1	
	F1-62360	STR. ADAPTER, 16MB X 12 JIC (For 3/4 Dia Hose)	2	4642-
	F1-74500	45° ADAPTER, 16MB X 12 JIC (For 3/4 Dia Hose)	2	4642-
	KZ-05870	SEAL KIT (All Seals) FOR M46 PUMPS	1	3608-

* * Z A M B O N I 520 * *

CONSOLIDATED PARTS LIST

GROUP 7.40 HYDROSTATIC MOTOR & FITTINGS



* * Z A M B O N I 520 * *

CONSOLIDATED PARTS LIST

Group 7.40 HYDROSTATIC MOTOR & FITTINGS

IND	PART NO.	DESCRIPTION	QTY	S/N RANGE
1		HOSE, SEE HYDRAULIC SYSTEM		
2		HOSE, SEE HYDRAULIC SYSTEM		
3		HOSE, SEE HYDRAULIC SYSTEM		
4		HOSE, SEE HYDRAULIC SYSTEM		
5	HA-10014	SCREW, HEX HD, 3/8-16 x 1-1/2	4	3408-3607
6	HA-10862	LOCKWASHER, 3/8	8	3408-3607
7	FO-96030	SPLIT FLANGE HALF, 1"	4	3408-3607
8	2E-0219B	O-RING	3	3408-3607
9	FO-99010	TEE, BY-PASS	1	3408-3607
10	F2-69080	90° ELBOW, 06FS x 06MP	1	3408-3607
11	HA-10018	SCREW, HEX HD, 3/8-16 x 2-1/2	4	3408-3607
12	FO-67230	90° ELBOW, 16HY x 16MJ	1	3408-3607
13	F1-64580	ADAPTER, 10MB x 08FP	1	3408-3607
14	F2-69120	90° ELBOW, SHORT, 08FS x 08MP	1	3408-3607
20	2M-78390	MOTOR, HYDROSTATIC	1	3408-3607
	2M-05860	MOTOR, HYDROSTATIC (M46)	1	3608-7687
	2P-05864	SHAFT SEAL FOR 2M-05860 & 2M-05870	1	3608-7687
	2M-05865	END CAP GASKET 2M-05860 & 2M-05870	1	3608-7687
	F1-62360	FITTING, STR. 16MB x 12 FJX	2	3608-7687
	F1-64350	FITTING, STR. 08MB x 12 FPX	2	3608-7687
	2M-06020	MOTOR, HYDROSTATIC (M44)	1	7323,7688-
	F1-62260	FITTING, STR, 12MB x 12FJX	2	7323,7688-
	F1-75080	FITTING, 45°, 10MB x 08FPX	1	7323,7688-

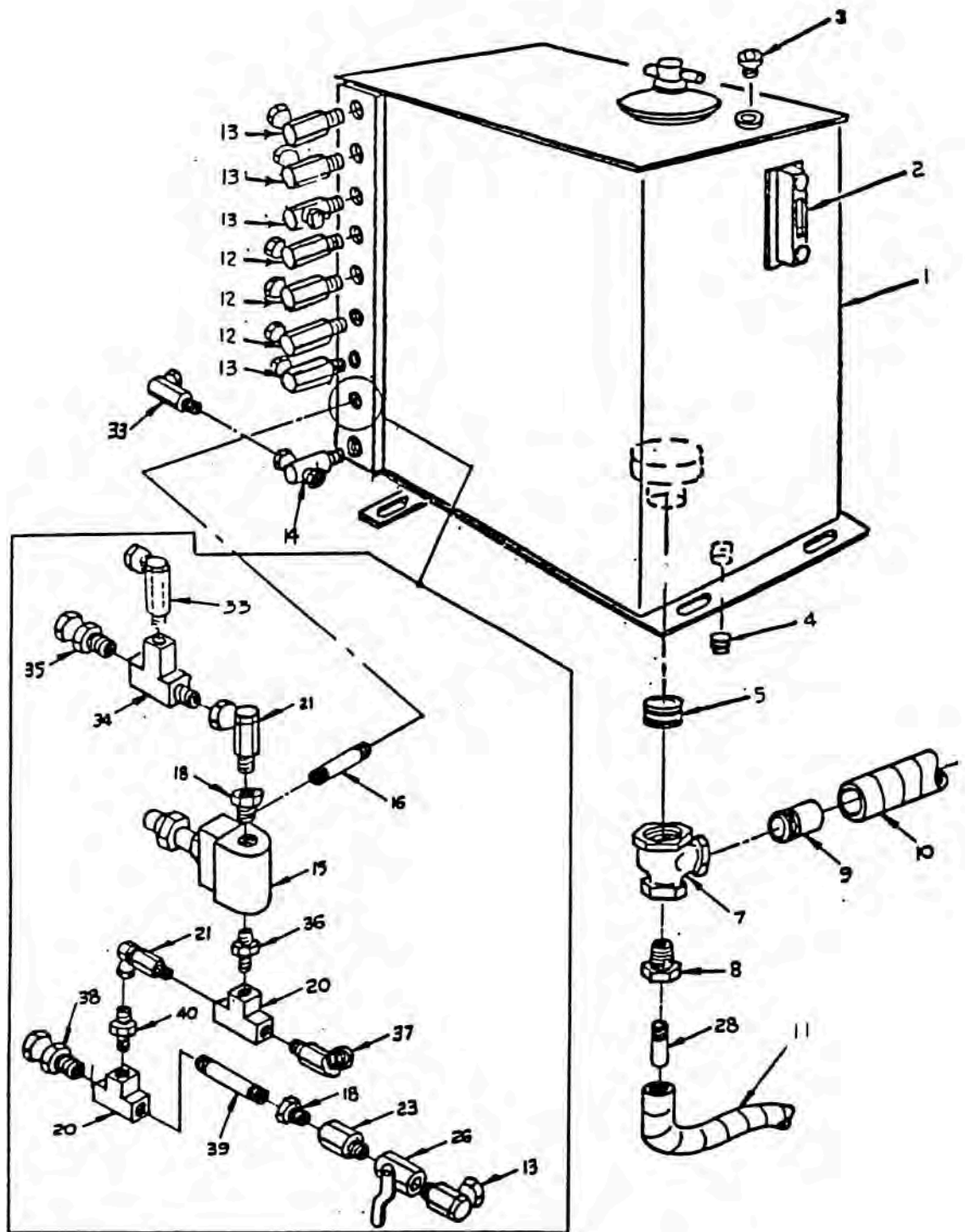
ES

* * Z A M B O N I 520 * *

CONSOLIDATED PARTS LIST

GROUP 7.50 HYDRAULIC OIL TANK

SERIAL NO. 3408-3607

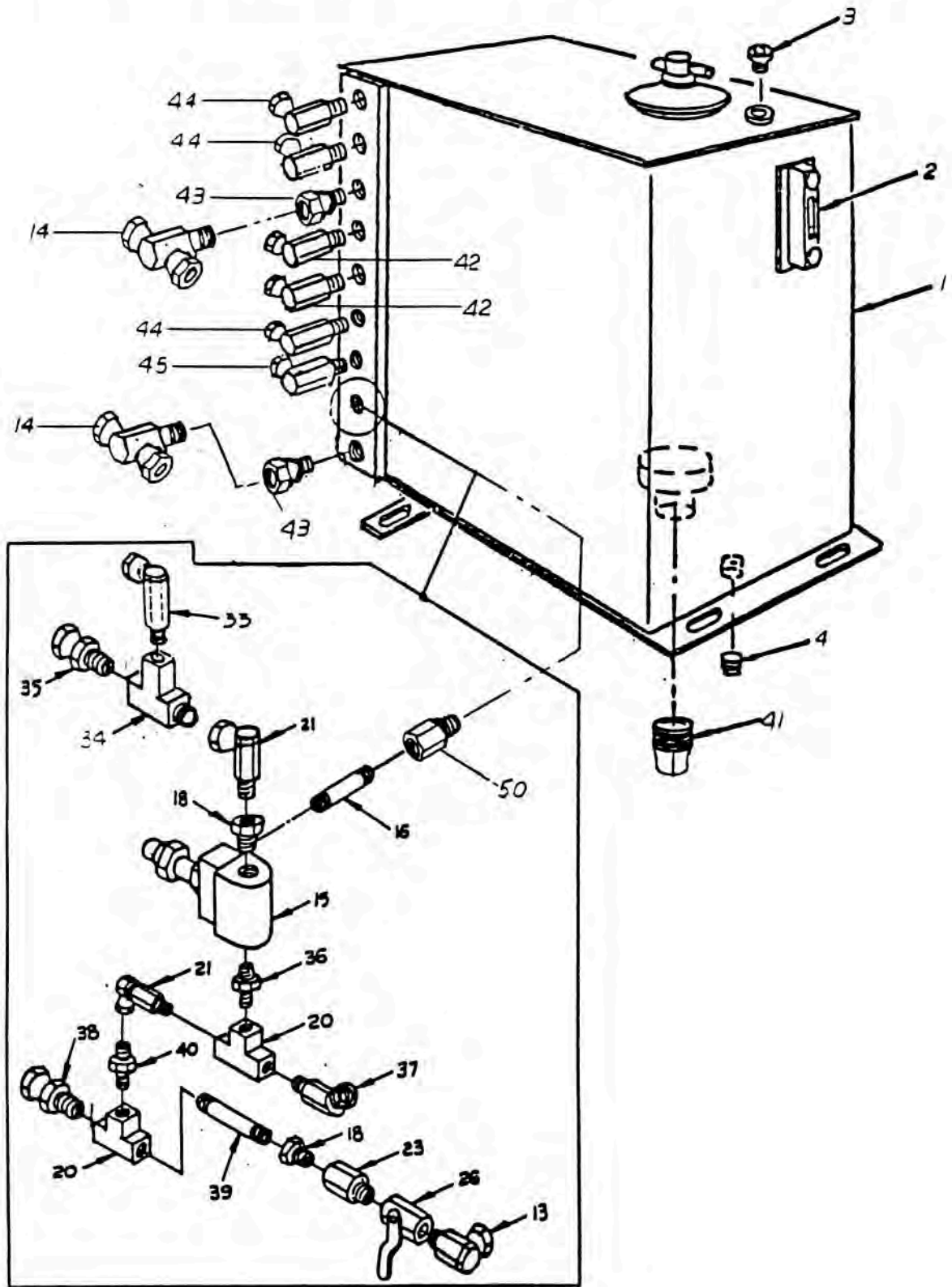


** ZAMBONI 520 **

CONSOLIDATED PARTS LIST

GROUP 7.50 HYDRAULIC OIL TANK

SERIAL NO. 3608-3827

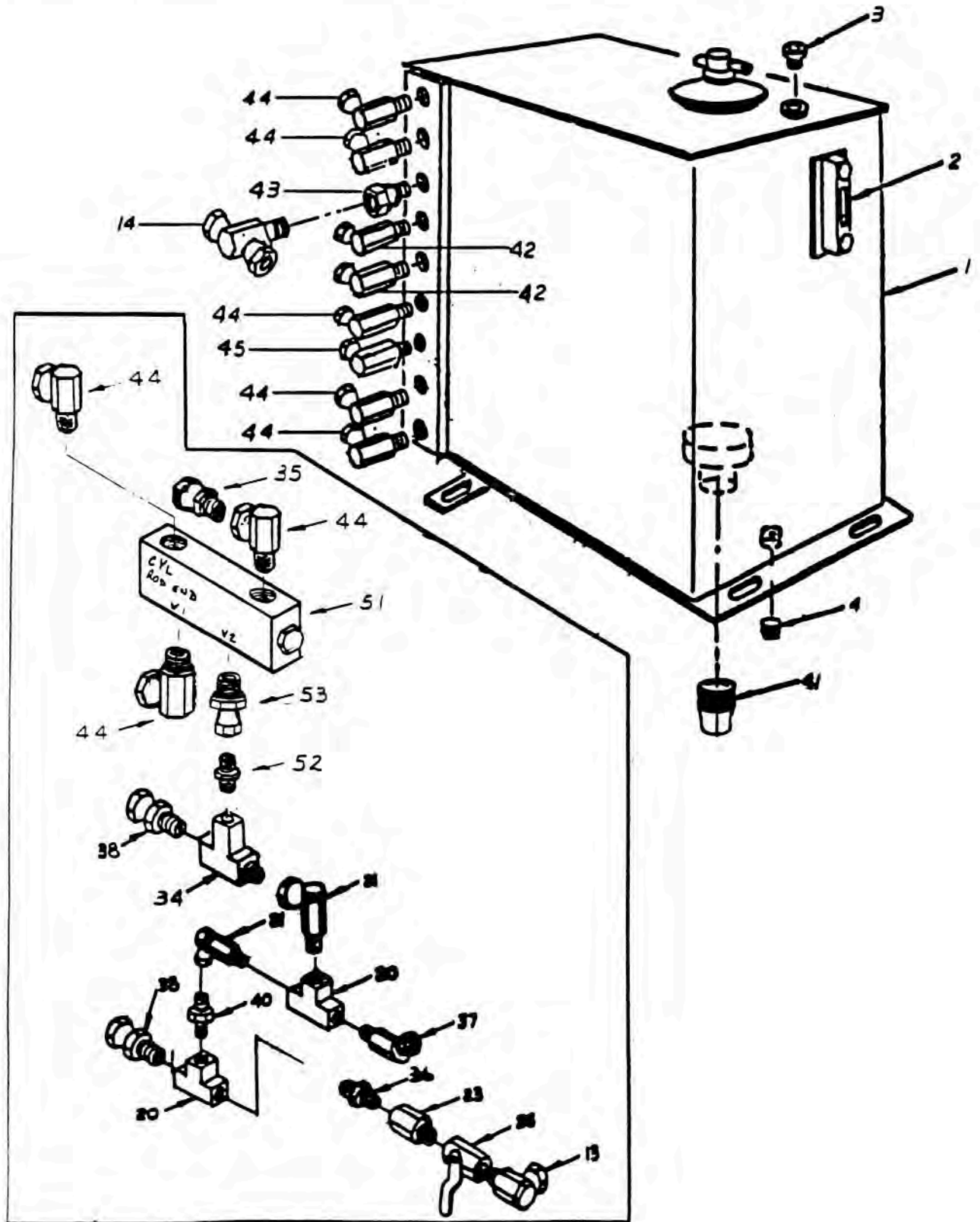


**** ZAMBONI 520 ****

CONSOLIDATED PARTS LIST

GROUP 7.50 HYDRAULIC OIL TANK

SERIAL NO. 3828-



** ZAMBONI 520 **

CONSOLIDATED PARTS LIST

Group 7.50 HYDRAULIC OIL TANK

IND	PART NO.	DESCRIPTION	QTY	S/N RANGE
1	7A-15600	TANK, HYDRAULIC OIL	1	3408-3607
	7A-15610	TANK		3608-4641
	7A-15816	TANK		4642-5056
	7A-15820	TANK		5057-
	HA-10013	SCREW, HEX HD, 3/8-16 x 1-1/4	3	3408-
	HA-10860	FLAT WASHER, 3/8	3	3408-
	HA-10981	LOCKNUT, HEX, 3/8-16	3	3408-
1A	7A-15814	LID, TANK	1	4642-
	2D-15800	GASKET FOR 7A-15814 LID	1	4642-
2	7K-15740	SIGHT GAUGE, OIL LEVEL	1	3408-
3	3R-73280	AIR VENT, FILTERED	1	3408-
4	FD-18210	PLUG, 3/4 NPT	1	3408-4641
	FF-18161	PLUG, 1/2 NPT	1	3408-
5	FD-0141J	CLOSE NIPPLE, 2 NPT	1	3408-3607
7	FD-09790	TEE REDUCING, 2 x 1-1/4 x 1-1/2	1	3408-3607
8	FD-15160	REDUCING BUSHING, 1-1/4 x 3/4 NPT	1	3408-3607
9	FW-43741	NIPPLE, TOE, SCHED 40, 1-1/2 NPT x 3-1/2	1	3408-3607
10	RC-7348A	HOSE, 1-7/8 x 96	1	3408-3607
	27-2036A	CLAMP, 1-7/8 HOSE	2	3408-3607
11	RC-0412A	HOSE, 1" x 104	1	3408-3607
	27-2016A	HOSE CLAMP (For 1" Hose)	2	3408-3607
12	F2-69120	90° ELBOW, 08FS x 08MP	3	3408-3607
13	F2-69090	90° ELBOW, 06FS x 08MP	5	3408-3607
	F2-69090	90° ELBOW, 06FS x 08MP	1	3608-4700
14	F2-81140	TEE, 06FS RUN x 08MP BRANCH	1,2,1	3408-4641
15	2V-76190	RELIEF VALVE	1	3408-3727
16	FD-0116R	NIPPLE, SCHED 40, 1/2 NPT x 3-1/2	1	3408-3727
18	FH-15030	HEX BUSHING, 1/2 x 3/8 NPT	1	3408-3727
20	FL-81550	TEE, 06FP RUN x 06FP BRANCH	2	3408-4700
21	2V-09470	CHECK-VALVE, 90° ELBOW, 06FS x 06MP	2	3408-4700
23	2V-4658C	THROTTLE/CHECK VALVE, 5/64 ORIFICE	1	3408-4700
26	2V-12210	BALL VALVE, 1/2 NPT (Sub 2V-12220)	1	3408-3852
	2V-12220	BALL VALVE, 1/2 NPT	1	3853-4700
31	F2-69080	90° ELBOW, 06FS, 06MP	2	4642-4901
31	F2-69080	90° ELBOW, 06FS, 06MP	1	4902-
31	F2-81130	TEE, 06MP, 06FPX, 06FPX	1	4902-
33	F2-69080	90° ELBOW, 06FS x 06MP	1	3608-3827
34	FL-82180	TEE, 06MP x 06FP RUN, 06FP BRANCH	1	3408-4700
35	F2-9304L	RESTRICTOR, .090, 06MP x 06FS	1	3408-4700
36	FL-62060	HEX NIPPLE, 30 DEG SEATS, 08MP x 06MP	1	3408-4700
37	F2-75070	45° ELBOW, 06FS x 06MP	1	3408-4700
38	F2-64080	ADAPTER, 06FS x 06MP	1	3408-4641
	F2-75070	45° ELBOW, 06FS X 06MP	1	4642-4700
39	FD-0111R	NIPPLE, SCHED 40, 3/8 NPT x 3-1/2	1	3408-3727
40	F2-62020	ADAPTER, 06MP x 06MPA (NPSM/30 Deg)	1	3408-4700
41	F2-10110	ADAPTER, STR 2" NPT x 2" HOSE	1	3607-4642
42	F1-69060	90° ELBOW, 08 MORB x 08FPS	2	3607-
43	F1-64340	AD. STR. 08 MORB x 08FPS	2,1	3607-4642
44	F1-69050	90° ELBOW 08 MORB x 06FPS	3,8,3	3607-4700
	F1-69050	90° ELBOW 08 MORB x 06FPS	6	4701-4901
	F1-69050	90° ELBOW 08 MORB x 06FPS	5	4902-
45	F1-69070	90° ELBOW 08 MORB x 12 FPS	1	3607-4641
50	F1-64560	AD. 08 MORB x 08FP	1	3607-3727

**** ZAMBONI 520 ****

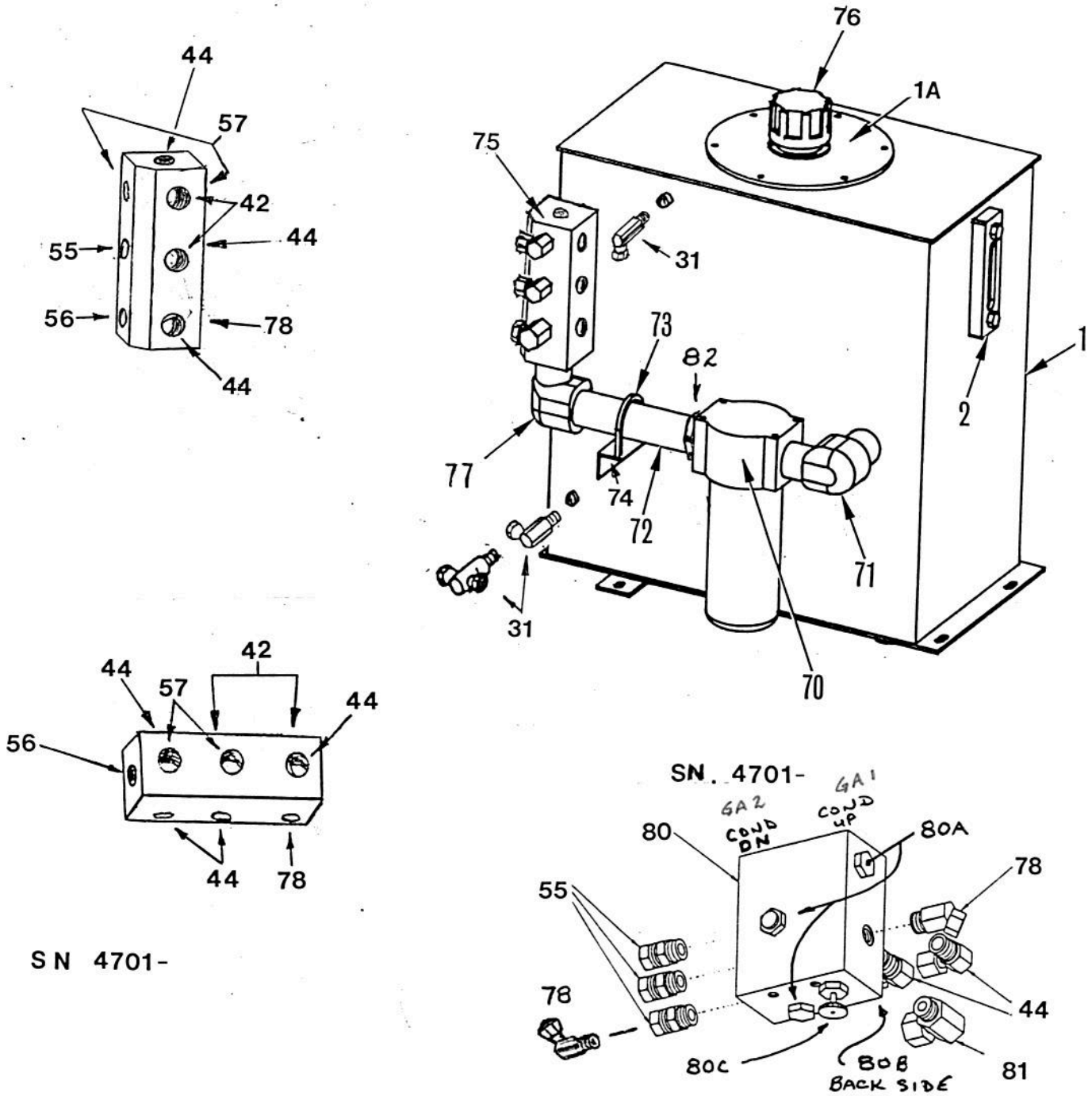
CONSOLIDATED PARTS LIST

GROUP 7.50

HYDRAULIC OIL TANK

SERIAL NO. 4642-

S.N. 4642-4700



S N 4701-

CONSOLIDATED PARTS LIST

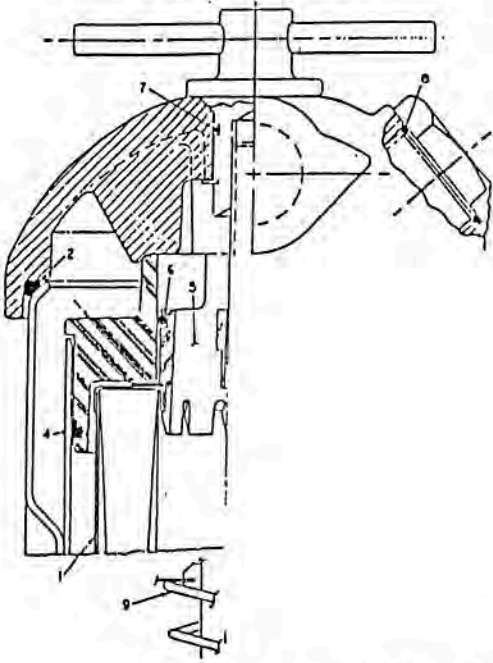
Group 7.50 HYDRAULIC OIL TANK

IND	PART NO.	DESCRIPTION	QTY	S/N RANGE
51	2V-4105A	DUAL CHECK VALVE (Pilot Operated)	1	3828-4700
52	FL-62040	3/8 HEX NIPPLE	1	3828-4700
53	F1-64330	AD. STR. 08 MORB x 08 FPS	1	3828-4700
54	2V-44601	CHECK VALVE MOUNT BKT (Not Shown)	1	3828-4700
	NOTE:	FOR MACHINES BEFORE SERIAL NUMBER 3827, ORDER CHECK VALVE KIT KZ-81020 TO LOCK CONDITIONER DOWN PRESSURE.		
		<u>RETURN LINE FILTRATION SYSTEM</u>		
		N/S = NOT SHOWN (Inside Tank)		
N/S	FD-0136A	NIPPLE, CLOSE, 1-1/2	1	4642-5056
N/S	FD-0131A	NIPPLE, CLOSE, 1-1/4 NPT	1	5057-6418
N/S	3R-50050	DIFFUSER, 1-1/2 NPT	1	4642-5056
	3R-50050	DIFFUSER, 1-1/2 NPT	1	6419-
N/S	3R-5520B	DIFFUSER, 1-1/4 NPT	1	5057-6418
N/S	2V-50040	CHECK VALVE, 1-1/2 NPT (5 PSI)	1	4642-5056
N/S	2V-50031	CHECK VALVE, 1-1/4 NPT (5 PSI)	1	5057-6418
N/S	3R-50060	STRAINER, 2" NPT, 100 MESH (Zinga)	1	4642-5056
N/S	3R-50055	STRAINER, 2" NPT, 100 MESH (LHA)	1	5057-
N/S	FD-04360	90° STREET ELBOW, 1-1/2	1	4642-5056
N/S	FD-04340	90° STREET ELBOW, 1-1/2 x 1-1/4	1	5057-6418
55	F1-64330	ADAPTER, 08MB, 06FS	2	4642-4650
	F1-64330	ADAPTER, 08MB, 06FS	1	4651-4700
	F1-64330	ADAPTER, 08MB, 06FS	2	4701-
56	F1-64350	ADAPTER, 08MB, 12FS	1	4642-6796
	F1-64400	ADAPTER, 12MB, 12FS	1	6797-
57	F1-18040	08MB PLUG	2	4642-4901
	F1-18040	08MB PLUG	3	4902-
70		FILTER ASSEMBLY (See Filter Section)	1	4642-
71	FH-04360	90° STREET UNION, 1-1/2	1	4642-4905
	FD-0131A	90° ELBOW	1	5049-5056
	F2-62130	1-1/2 STEEL NIPPLE C/W 30° CHAMFER	1	5049-5056
	F2-64220	1-1/2 ADAPTER, 24MP, 24FPS	1	5049-5056
	F1-71220	90 x 1-1/4 TUBE ADAPTER, 20 MORB x 20 FJX	1	5057-
72	FD-01365	NIPPLE 1-1/2 x 5-1/2	1	4642-5056
	F1-71210	ADAPTER NIPPLE, 20MORB x 20JFX x 6-1/4 LG.	1	5057-
73	27-31540	CLAMP, EXHAUST PIPE 1-3/4	1	4642-5056
	27-31520	CLAMP, EXHAUST PIPE 1-1/2	1	5057-
74	7A-15818	MANIFOLD BRACKET	1	4642-
75	7A-15850	MANIFOLD (Hydraulic Oil Return, 1-1/2 NPT Exit Port)	1	4642-5056
	7A-15840	MANIFOLD (Hydraulic Oil Return, 1-5/8 ORB Exit Port)	1	5057-6443
	7A-15871	MANIFOLD (1-5/8 ORB, 9-SAE08, 1-SAE12)	1	6444-6796
	7A-15880	MANIFOLD (1-5/8 ORB, 8-SAE08, 2-SAE12)	1	6797-
76	7D-50010	FILLER BREATHER	1	4642-
	7D-50020	FILLER BREATHER	1	4642-
77	FD-04360	90° STREET ELBOW 1-1/2	1	4642-4700
78	F1-75040	45° ADAPTER, 08MB, 06FS	1	4651-4700
	F1-75040	45° ADAPTER, 08MB, 06FS	2	4701-6408
	F1-75060	45° ADAPTER, 08MB x 12FS	1	6409-6443
	F1-75100	45° ADAPTER, 12MB x 12FS	1	6444-
80	2V-44595	CHECK VALVE MANIFOLD (MCD 1087G Gold)	1	4701-7936
	2V-44620	CHECK VALVE MANIFOLD (F.P.S. Blue)	1	7937-
80A	2V-44591	P.O. CHECK CARTRIDGE (For 2V-4105A, 2V-44595)	4	OPT.
80B	2V-44592	P.O. CHECK CARTRIDGE WITH .040" ORIFICE	1	4701-
80C	2V-44597	NEEDLE SHUT OFF VALVE	1	4701-
81	F1-69030	90° ADAPTER, 06MB x 06FP	1	4701-
82	F1-62410	ADAPTER, 20MORB, 20MJIC	1	5057-

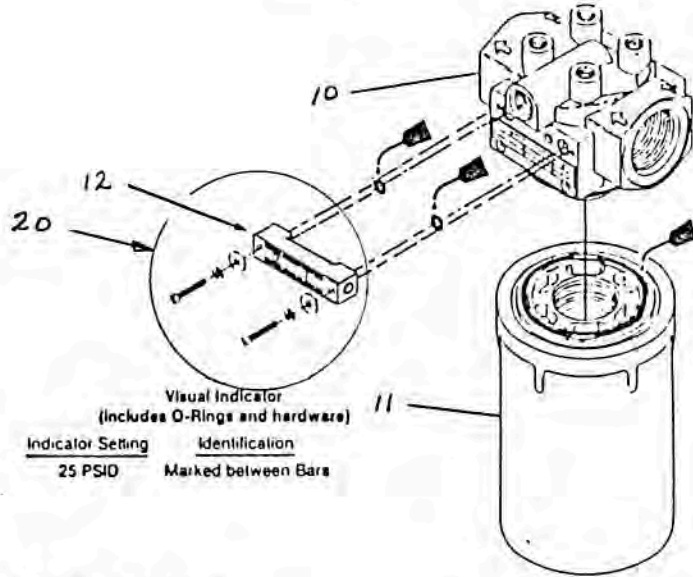
CONSOLIDATED PARTS LIST

GROUP 7.60 HYDRAULIC OIL FILTER

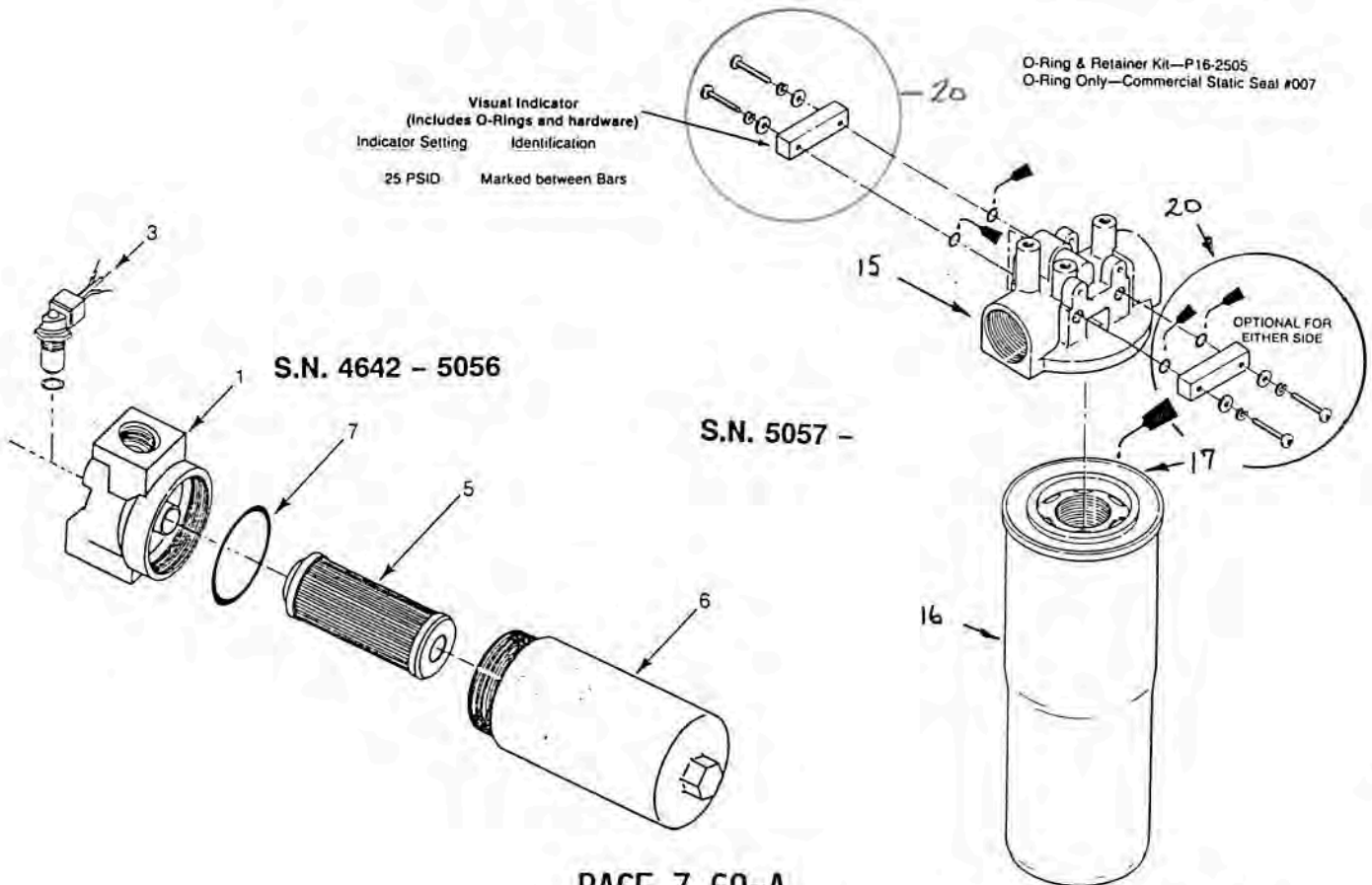
SUCTION FILTER
S.N. 3408 - 4641



HYDROSTATIC PUMP FILTER
S.N. 3608 -



RETURN LINE FILTRATION SYSTEM



* * Z A M B O N I 5 2 0 * *

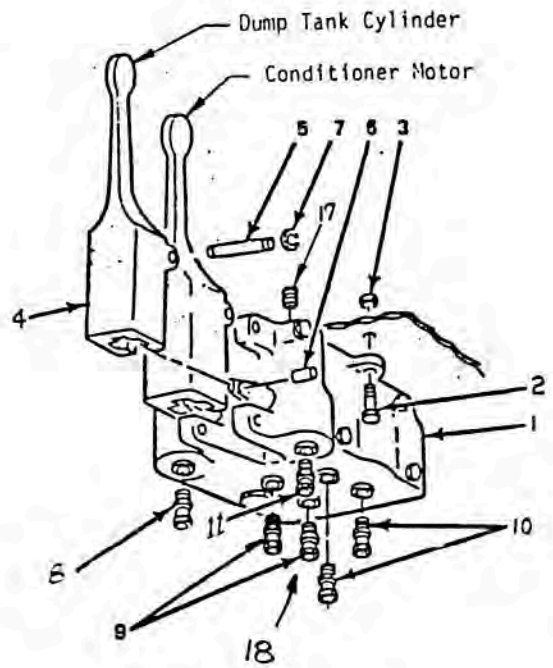
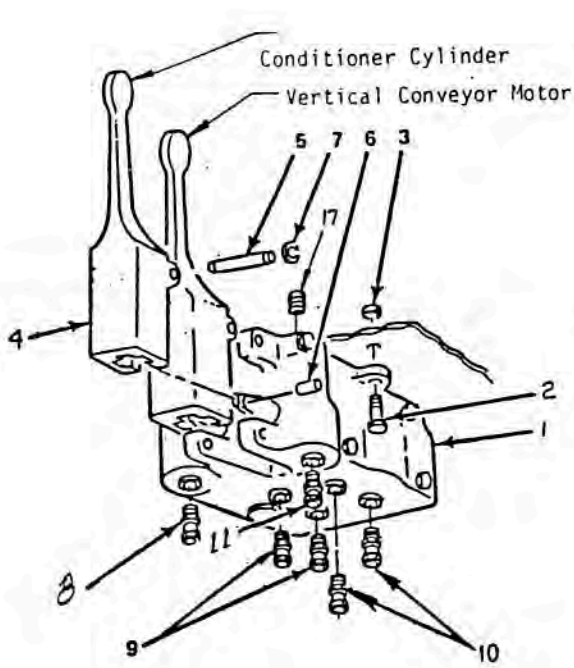
CONSOLIDATED PARTS LIST

Group 7.60 HYDRAULIC FILTER

IND	PART NO.	DESCRIPTION	QTY	S/N RANGE
	3R-1750V	SEAL KIT (Includes 1 Each of Items 2,4,6,7,8)		3408-4641
1	3R-1750L	FILTER ELEMENT, 20 MICRON SYNTHETIC	1	3408-4641
2	2E-0361B	O-RING	1	3408-4641
3	3R-1750T	BAFFLE & SEAL ASS'Y (Includes Item 4)	1	3408-4641
4	3R-1750Z	SEAL	1	3408-4641
5	3R-1750R	VALVE & O-RING ASS'Y (Includes Item 6)	1	3408-4641
6	2E-0228B	O-RING	1	3408-4641
7	2E-0119B	O-RING	1	3408-4641
8	2E-0920B	O-RING	1	3408-4641
9	3R-1750Y	SPRING, 5 PSI BYPASS	1	3408-4641
	3R-1750N	SWITCH, FILTER MONITORING (Not Illustrated)	1	3408-4641
HYDROSTATIC REMOTE FILTER SPIN ON STYLE				
10	3R-07000	HOUSING & ELEMENT ASS'Y (Use 3R-0700B)	1	3608-4691
	3R-0700A	HOUSING & ELEMENT ASS'Y (Use 3R-0700B)	1	4692-6071
	3R-0700B	HOUSING & ELEMENT ASS'Y (No Indicator)	1	6072-
11	3R-07001	ELEMENT (P16-4381) 22 MICRON	1	3608-6071
	3R-07010	ELEMENT (P16-4375) 16 MICRON	1	6072-
12	3R-07002	INDICATOR ASS'Y (Square Clear Ass'y)	2	3608-4691
	3R-07002	INDICATOR ASS'Y (Square Clear Ass'y)	1	4692-6050
	3R-07002	INDICATOR ASS'Y (Die Cast Ends, Round Tube)	1	6051-6071
RETURN LINE FILTRATION SYSTEM				
	3R-50000	FILTER ASSEMBLY (Parker)	1	4642-5056
1	3R-50011	FILTER HEAD	1	4642-5056
3	3R-50015	SWITCH, PRESSURE, 50PSI BYPASS C/W INDICATOR	1	4642-5056
5	3R-50010	FILTER ELEMENT	1	4642-5056
6	3R-50012	FILTER BOWL	1	4642-5056
7	3R-50013	SEAL, FILTER BOWL	1	4642-5056
14	3R-06520	FILTER ASS'Y (Donaldson, 2 Sight Glass)	1	5057-6418
	3R-06530	FILTER ASS'Y (Donaldson, 1 Sight Glass c/w Check Valve)	1	6419-6954
	3R-06530	FILTER ASS'Y (Donaldson, No Sight Glass c/w Check Valve)	1	6955-
15	3R-06525	FILTER HEAD ONLY (For 3R-06520)	1	5057-6418
	3R-06531	FILTER HEAD ONLY (For 3R-06530)	1	6419-
16	3R-06521	ELEMENT (P16-5878) 22 MICRON	1	5057-
17	2E-0248B	"O" RING 4-3/4 OD x 1/8 CROSS SECTION	1	5057-
20	KZ-78950	INDICATOR ASS'Y C/W SCREW (Square Clear Ass'y)	1	3608-6954

CONSOLIDATED PARTS LIST

GROUP 7.70 CONTROL VALVES



* * Z A M B O N I 520 * *

CONSOLIDATED PARTS LIST

Group 7.70 CONTROL VALVES

IND	PART NO.	DESCRIPTION	QTY	S/N RANGE
1	2V-75020	VALVE, HYD. CONTROL (Vickers)	2	3408-4904
	00-03250	SEAL KIT FOR 2V-75020 (2 Kits/Valve)		3408-4904
	00-03043	RELIEF VALVE 2000 PSI (For 2V-75050)	1	3408-4904
	2V-75600	VALVE, HYD. CONTROL (Husco)	2	4905-5433
	4B-75600	BALL KNOB (For Husco)	4	4905-5433
	2V-75060	VALVE, HYD. CONTROL (Walvoil)	2	5434-7933
	2V-75060	VALVE, HYD. CONTROL (Walvoil)	2	8144-
	2V-5455A	SEAL KIT FOR WALVOIL (3 Bank Kit)	OPT	
	2V-75061	VALVE, HYD. CONTROL (Walvoil c/w Limit Switch Actuator)	OPT	5434-7933
	2V-75061	VALVE, HYD. CONTROL (Walvoil c/w Limit Switch Actuator)	OPT	8144-
	2V-75080	WALVOIL HANDLE, 10MM DIA	4	5434-7933
	2V-75080	WALVOIL HANDLE, 10MM DIA	4	8144-
	2V-75100	VALVE, HYD. CONTROL (BLB)	2	7934-8143
	2V-75110	VALVE, HYD. CONTROL (BLB c/w Limit Switch Actuator)	OPT	7934-8143
	2V-75105	VALVE HANDLE, 8MM DIA (BLB)	3	
	46-05195	VALVE STOP (Walvoil, Auger Spool)	2	5434-7933
	46-05188	VALVE STOP (BLB, Auger Spool)	2	7934-8143
	7D-11050	PLASTIC CAP	2	5434-
2	HA-10013	SCREW, HEX HD, 3/8-16 x 1-1/4	6	3408-
3	HA-10981	LOCKNUT, HEX, 3/8-16	6	3408-
4	4A-37800	LEVER, CONTROL VALVE	4	3408-4904
5	16-85190	PIN, CONTROL VALVE LEVER, LONG	2	3408-4904
6	16-37810	PIN, CONTROL VALVE LEVER, SHORT	4	3408-4904
7	HA-7024A	SNAP RING, PIN RETAINING	4	3408-4904
8	F1-64370	ADAPTER, 10MB x 08FS	2	3408-4904
	F1-64370	ADAPTER, 10MB x 08FS	4	4905-5433
	F1-64370	ADAPTER, 10MB x 08FS	2	5434-7933
	F1-64370	ADAPTER, 10MB x 08FS	4	7934-
	F1-64340	ADAPTER, 08MB x 08FS (BLB)	2	7934-8143
9	F1-64340	ADAPTER, 08MB x 08FS	4	3408-
10	F1-64330	ADAPTER, 08MB x 06FS	4	3408-
11	F1-64370	ADAPTER, 10MB x 08FS	2	3408-4654
	F1-75080	45° ADAPTER, 10MB x 08FS	2	4655-4904
	F1-64370	ADAPTER, 10MB x 08FS	2	4905-7933
	F1-64340	ADAPTER, 08MB x 08FS (BLB)	2	7934-
17	FL-18160	PLUG, HEX SOCKET, FLUSH SEAL, 1/2 NPTF	2	3408-4904
18	F1-18040	PLUG, USED WHEN HORIZONTAL AUGER EQUIPPED WITH M2U SINGLE DIRECTION MOTOR. F1-64340 DROPS TO QUANTITY OF 3.		

NOTE: SNOW TANK SPEED APPROXIMATE @ 1050 ENGINE RPM'S

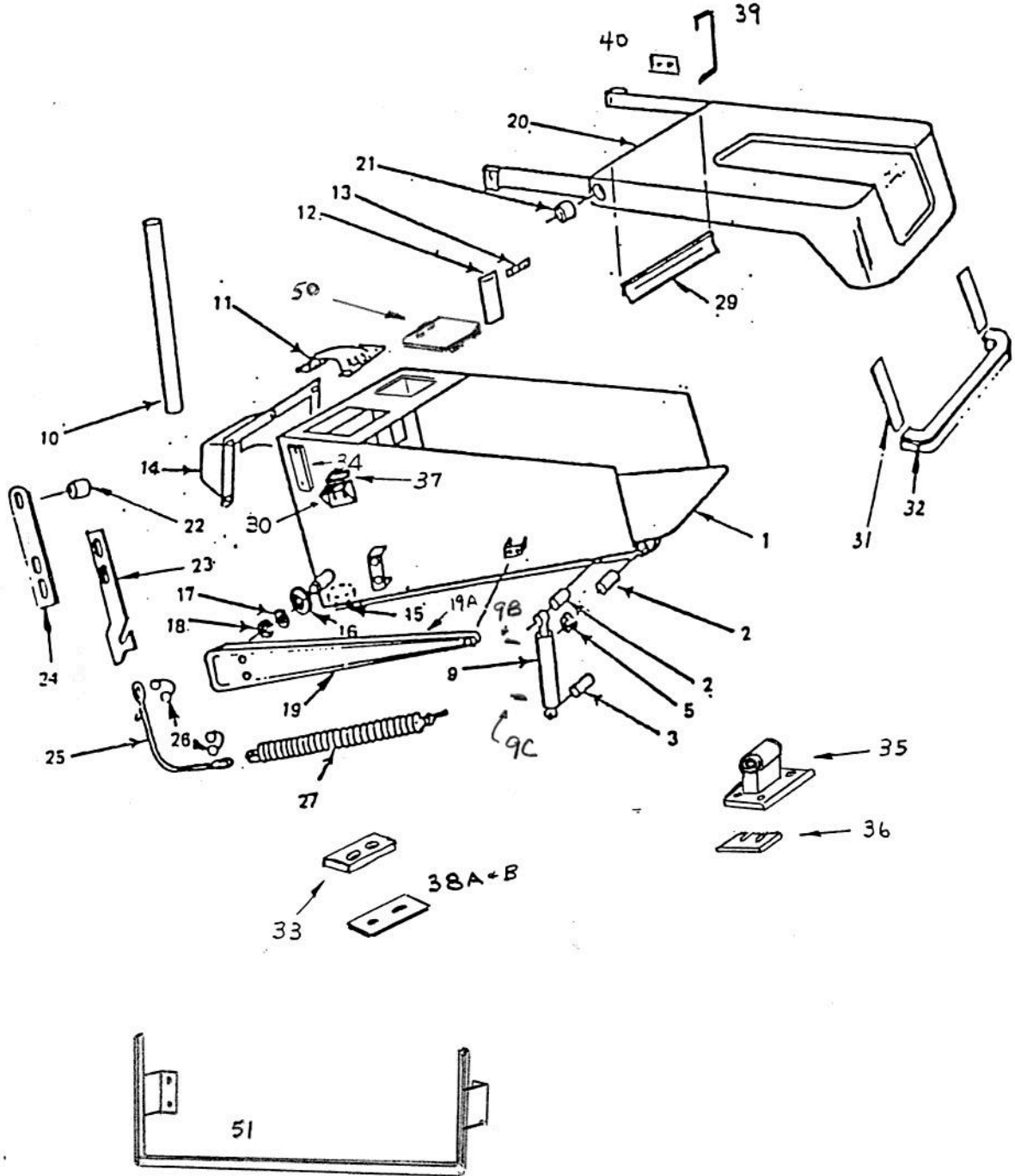
3408-4904 **VICKERS CM11 VALVES**
8 SECONDS UP > SNOW TANK
12 SECONDS DOWN > EMPTY

5434-UP **VALVOIL VALVES SD5**
11 SECONDS UP

** ZAMBONI 520 **

CONSOLIDATED PARTS LIST

GROUP 8.10 SNOW TANK



**** Z A M B O N I 520 ****

CONSOLIDATED PARTS LIST

Group 8.10 SNOW TANK

IND	PART NO.	DESCRIPTION	QTY	S/N RANGE
1	7A-15300	TANK WELDMENT, PRIMED	1	3408-6117
	7A-15320	SNOW TANK WELDMENT, PRIMERED	1	6118-
2	16-70580	PIVOT PIN WITH GREASE FITTING	4	3408-
3	16-70570	PIVOT PIN WITH GREASE FITTING	2	3408-
5	HA-7064A	SNAP RING, PIN RETAINING	12	3408-
9	2Y-53620	CYLINDER (Pneu-Hyd, 2-1/2" Bore, 14" Stroke)	2	3408-3827
	2Y-5362A	CYLINDER (KMW, 2-1/2" Bore, 14" Stroke)	2	3828-4644
	2Y-53630	CYLINDER (Shur-Lift, 2-1/2" Bore, 14" Stroke)	2	4645-
9A	2Y-5362S	SEAL KIT FOR (Pneu-Hyd 2Y-53620)	1	3400-3827
	2Y-5362K	SEAL KIT FOR (KMW 2Y-5362A)	1	3828-4644
	2Y-5363K	SEAL KIT FOR (Shur-Lift 2Y-53630)	1	4645-
9B	FL-82180	TEE, 06MP, 06MP, 06FP	1	3608-
	FW-43061	CONNECTOR, HOSE 1/4 X 3/8 NPT	3	3608-
9C	F2-64090	STR. ADAPTER, 1/2 MP X 3/8 FS	2	3608-
10	49-38590	SAFETY STAND	1	3408-
11	7D-73420	VENT, SNOW TANK	1	3408-
	HF-06514	SCREW, TRUSS HD, 1/4-20 x 1-1/2 S/S	6	3408-
	HA-71902	J CLIP, 1/4	6	3408-
12	49-42000	SHIELD, SNOW TANK	1	3408-
13	5T-10230	BRKT, SHIELD RETAINING	1	3408-
	HA-06009	SCREW, HEX HD, 1/4-20 x 3/4	3	3408-
	HA-06981	LOCKNUT, HEX, 1/4-20	3	3408-
14	49-18380	SNOW SHIELD (Clear Plastic)	1	3408-6794
	49-18390	SNOW SHIELD (Steel with Window)	1	6795-
	49-18392	VIEWING PANEL, SNOW SHIELD	1	6795-
	HA-06509	SCREW, TRUSS HEAD, 1/4-20 x 3/4	5	3408-
	HA-06981	LOCKNUT, HEX, 1/4-20	5	3408-
15	FF-18410	PLUG, GALVANIZED, 2 NPT	1	3408-4320
16	41-42000	PULLEY & BUSHING, LID SPRING CABLE	2	3408-
17	HA-14860	FLAT WASHER, 1/2	2	3408-4855
18	HA-7028A	SNAP RING, 7/16 SHAFT	2	3408-4855
	HA-08009	5/16NC X 3/4 LG HEX BOLT+HA-08862+HA-08864 Washers	2	4856-
19	49-17680	GUARD, LID SPRING	2	3408-
	HA-08511	SCREW, TRUSS HEAD, 5/16-18 x 1	6	3408-
19A	2H-0520A	EDGE TRIM FOR LID SPRING GUARD 12' LG EA.	2	3913-
20	7B-16670	LID (Includes Seals 31 & 32)	1	3408-
21	10-19050	BUSHING, LID PIVOT	2	3408-3827
	10-2126A	BUSHING, LID PIVOT	2	3828-
	HA-18021	SCREW, HEX HD, 5/8-11 x 3-1/4	2	3408-3827
	HA-18860	FLAT WASHER, 5/8	2	3408-
	HA-18986	LOCKNUT, HEX, 5/8-11	2	3408-
21A	HD-1861M	BOLT WITH GREASE FITTING 5/8-11 NC x 3" LG	2	3828-
22	10-19070	BUSHNG, LID LIFT LINK	2	3408-
	HA-14015	SCREW, HEX HD, 1/2-13 x 1-3/4	2	3408-
	HA-14860	FLAT WASHER, 1/2	2	3408-
	HA-14986	LOCKNUT, 1/2-13	2	3408-
23	4F-15870	ARM, LID LIFT HOOK	2	3408-
24	4F-15880	LINK, LID LIFT ARM	4	3408-
	HA-10014	SCREW, HEX HD, 3/8-16 x 1-1/2	4	3408-
	HA-10981	LOCKNUT, HEX, 3/8-16	4	3408-
25	33-40330	CABLE, LID LIFT	2	3408-
25A	33-40335	CABLE AND CLAMP ASSEMBLY	2	3408-
26	27-03210	CLAMP, CABLE	4	3408-

**** ZAMBONI 520 ****

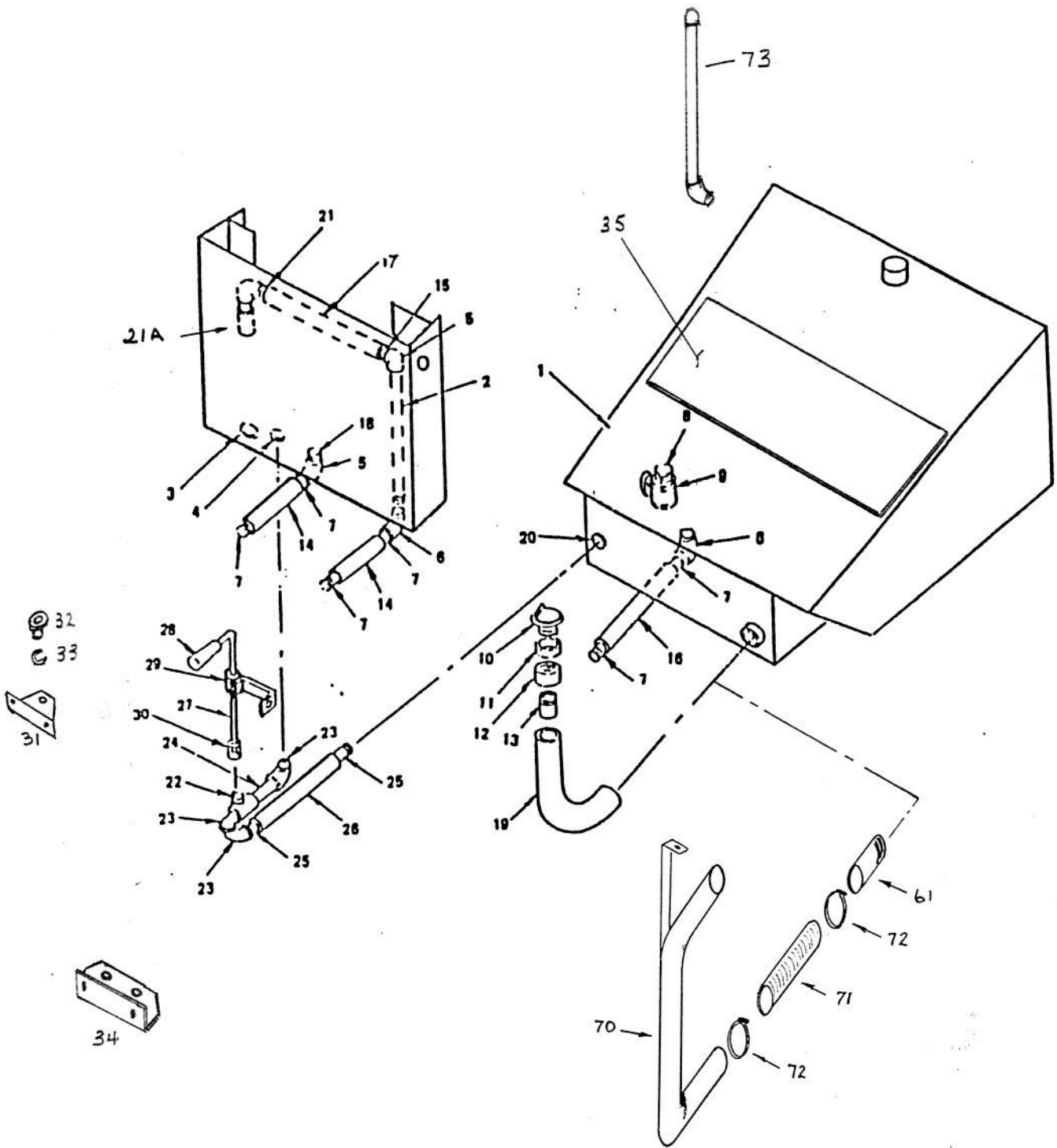
CONSOLIDATED PARTS LIST

Group 8.10 SNOW TANK

IND	PART NO.	DESCRIPTION	QTY	S/N RANGE
27	1L-38730	SPRING, LID LIFT	2	3408-
	HC-10215	EYE-BOLT, 38 x 5	2	3408-
	HA-10980	NUT, HEX, 3/8-16	2	3408-
29	2F-12090	SEAL, REAR	1	3408-3607
29	2F-0013A	FOAM TAPE 54" LG		3608-
30	5T-10010	BRACKET, LID STOP	2	3408-
	HA-14213	CARRIAGE BOLT, 1/2-13 x 1-1/4	4	3408-
	HA-14860	FLAT WASHER, 1/2	4	3408-
	HA-14862	LOCKWASHER, 1/2	4	3408-
	HA-14980	NUT, HEX, 1/2-13	4	3408-
31	2F-00110	SEAL, 3/8 x 2 x 18	2	3408-
32	2F-0010A	SEAL, 1-1/4 x 1 x 72	1	3408-
33	8P-12680	SNOW TANK REST PADS (Rubber)	2	3408-
34	7B-0520A	WEAR STRIP	2	3828-
35	1V-05211	PIVOT WELDMENT, SNOW TANK (2.3L Ford)	2	4856-6131
	1V-05240	PIVOT WELDMENT, SNOW TANK (2.5L Ford)	2	6132-
36	1V-05215	PIVOT SHIM	A.R.	4856-
	1V-05216	PIVOT SHIM	A.R.	4856-
37	8T-0520A	BUMPER, LID ARM STOP	2	4856-
38A	8P-12670	SNOW TANK REST PAD SHIM 16GA	A.R.	
38B	8P-12671	SNOW TANK REST PAD SHIM 10GA	A.R.	
39A	7B-0522A	BRACE ROD SNOW TANK LID R.H.	1	5779-
39B	7B-0522B	BRACE ROD SNOW TANK LID L.H.	1	5779-
40	7B-0521A	WEAR PAD, SNOW TANK LID	2	5779-
	KZ-0522A	KIT, SNOW TANK LID ARM BRACE (#39A, B & 40)		
	KZ-0522A	KIT, SNOW TANK LID ARM BRACE (#39A, B & 40)		
50	49-04400	SNOW TANK WINDOW KIT	1	6754-
	49-04401	SNOW TANK WINDOW PANE	1	6754-
	47-15500	HINGE LEFT HAND (Viewed from Driver Seat)	1	6754-
	47-15505	HINGE RIGHT HAND (Viewed from Driver Seat)	1	6754-
	HA-04706	SCREWS FILLISTER HEAD 10-32 x 1/2	4	6754-
	HA-04709	SCREWS FILLISTER HEAD 10-32 x 3/4	4	6754-
	HA-03862	#10 LOCKWASHER	4	6754-
	HA-03867	#10 FLATWASHER	4	6754-
	49-04405	HINGE BRACKET	2	6754-
	HA-06511	TRUSS HEAD SCREW 1/4 - 20 x 1" LG	2	6754-
	4A-40520	HANDLE	1	6754-
	HA-06111	SOCKET HEAD SCREW 1/4 - 20 x 1" LG	2	6754-
	HA-06981	HEX LOCK NUT 1/4 - 20NC	4	6754-
	49-04406	WINDOW OPENING LIMITER BRACKET	1	6754-
	2H-0600A	MAGNETIC STRIP 1/8 TK x 1"	1.5'	6754-
	2F-0012X	FOAM GASKET 1/8 TK x 3/4"	4.5'	6754-
	HP-0684A	1/4 ID PLASTIC WASHER	2	6754-
	ZR-54402	GLOSS BLACK 1" WD STRIPING TAPE	1.5'	6754-
51	84-18910	AD RACK	2	OPT.
	KZ-15010	SNOW TANK LIGHT KIT	1	OPT.
	7L-15210	AMBER LAMP	1	OPT.
	KZ-19710	SNOW MELT SPRAY SYSTEM	1	OPT.

CONSOLIDATED PARTS LIST

GROUP 9.10 WATER TANKS & OPTIONAL WATER TRANSFER SYSTEM



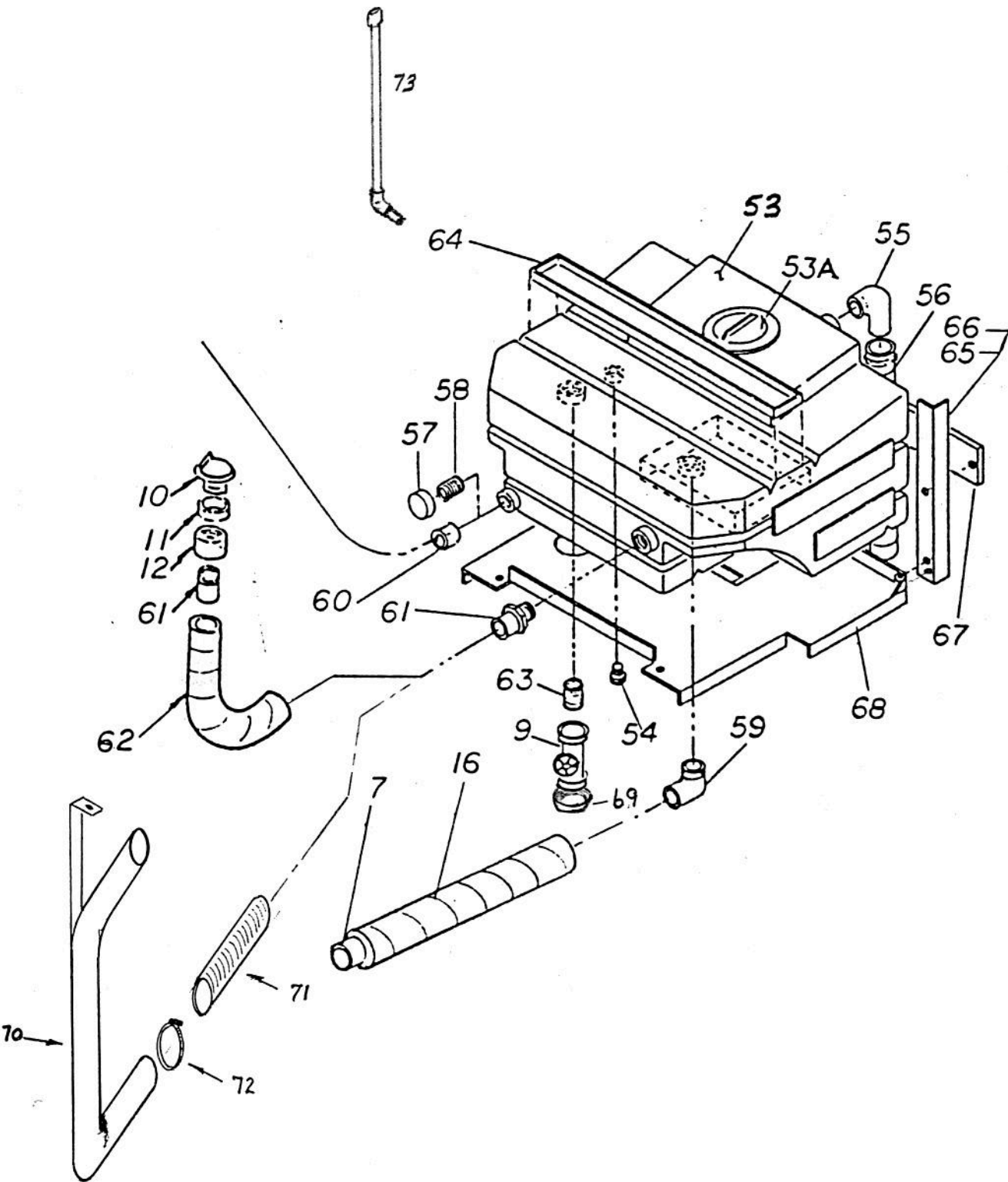
CONSOLIDATED PARTS LIST

Group 9.10 WATER TANKS & OPTIONAL WATER TRANSFER SYSTEM

IND	PART NO.	DESCRIPTION	QTY	S/N RANGE
1	7A-15110	TANK, ICE MAKING WATER	1	3408-
	HA-14013	SCREW, HEX HD, 1/2-13 x 1-1/4	4	3408-
	HA-14860	FLAT WASHER, 1/2	4	3408-
	HA-14986	LOCKNUT, HEX, 1/2-13	4	3408-
2	FF-0135T	NIPPLE, GALV, 1-1/4 NPT x 41-1/2	1	3408-6966
	FF-0135X	NIPPLE, GALV, 1-1/4 NPT x 42-3/4	1	6967-
3	FF-18410	PLUG, GALV, 2 NPT	1	3408-
4	FF-18360	PLUG, GALV, 1-1/2 NPT	1	3408-
5	FF-02310	90° ELBOW, GALV, 1-1/4 NPT	2	3408-
6	FF-04310	90° STREET ELBOW, GALV, 1-1/4 NPT	2	3408-
7	FW-43652	NIPPLE, TOE, GALV, 1-1/4 NPT x 3-1/2	6	3408-
8	FF-0141M	NIPPLE, GALV, 2 NPT x 3	1	3408-
8A	FF-19410	2" NPT GALV. CAP	1	3728-
9	2V-33240	GATE VALVE, 2 NPT (S.N. 3728-up Optional Extra)	1	3408-3727
10	7D-68400	CAP, WATER FILL PIPE	1	3408-5054
11	13-68380	SPACER, WATER FILL CAP	1	3408-5054
12	FF-13410	COUPLING, GALV. 2 NPT	1	3408-5054
13	FW-43852	NIPPLE, TOE, GALV, 2 NPT x 3	1	3408-5054
14	RC-5124A	HOSE, 1-5/8 x 31	2	3408-
15	FW-43672	NIPPLE, TOE, GALV, 1-1/4 NPT x 7-1/2	1	3408-6966
16	RC-5208A	HOSE, 1-5/8 x 52 (Galv. Tanks Only)	1	3408-
	RC-5240A	HOSE, 1-5/8 x 60 (Plastic Tanks Only)	1	3831-
17	RR-0120A	HOSE, 1-5/8 x 30	1	3408-6966
	FF-0135C	NIPPLE, GALV, 1-1/4 NPT x 37-1/4	1	6967-
18	FF-0131W	NIPPLE, GALV, 1-1/4 NPT x 4	1	3408-
19	RD-1240A	HOSE, 2-3/8 x 60	1	3408-5054
	27-2024A	CLAMP, 1-5/8 HOSE	9	3408-
	27-2040A	CLAMP, 2-3/8 HOSE	2	3408-5054
20	FF-18360	PLUG, GALV, 1-1/2 NPT	1	3408-
21	FW-43662	NIPPLE, TOE, GALV, 1-1/4 NPT x 5-1/2	1	3408-6966
21A	RC-5044A	HOSE 1-5/8 ID x 12" LG	1	3408-6966
	FF-2020A	1-1/4 NPT x 90° POLY ELBOW	1	6967-
	FV-64088	1-1/4 NPT x 11 PVC SCH80 T.O.E. NIPPLE	1	6967-
61	FP-3232B	NIPPLE, PLASTIC, 2 NPT x 2 HOSE	1	5055-
70	7A-05207	FILL TUBE STAINLESS	1	5055-
71	RC-8096A	HOSE 2 x 24"	1	5055-
72	27-2036A	2" GEAR HOSE CLAMPS	2	5055-
73	KZ-14213	WASH WATER LEVEL SIGHT GLASS KIT	OPT	
THE FOLLOWING ITEMS ARE OPTIONAL EQUIPMENT				
	KZ-18100	OPTION, WASH WATER TRANSFER SYSTEM (Complete)	1	3408-
22	2V-79710	BALL VALVE, 1-1/2 NPT	1	3408-
23	FF-04360	90° STREET ELBOW, GALV, 1-1/2 NPT	3	3408-
24	FF-0136M	NIPPLE, GALV, 1-1/2 NPT x 3	1	3408-
25	FW-43742	NIPPLE, TOE, GALV, 1-1/2 NPT x 3-1/2	2	3408-
26	RC-7048A	HOSE, 1-7/8 x 12	1	3408-
	27-2036A	CLAMP, 1-7/8 HOSE	2	3408-
27	4E-19100	ROD, WATER VALVE CONTROL	1	3408-5091
	4E-19110	ROD ASS'Y, WATER TRANSFER VALVE C/W "U" JOINT, VALVE HANDLE AND 5T-19130 BKT	1	5092-5469
	4E-19130	ROD ASS'Y, WATER TRANSFER	1	5470-
28	4B-31460	KNOB, CONTROL ROD	1	3408-
29	5T-19130	BRACKET, CONTROL ROD (See Item 27, 4E-19110)	1	3408-5091
	HA-08011	SCREW, HEX HD, 5/16-18 x 1	1	3408-
	HA-08862	LOCKWASHER, 5/16	1	3408-

CONSOLIDATED PARTS LIST

GROUP 9.10 POLY WATER TANK OPTION



*** * Z A M B O N I 520 * ***

CONSOLIDATED PARTS LIST

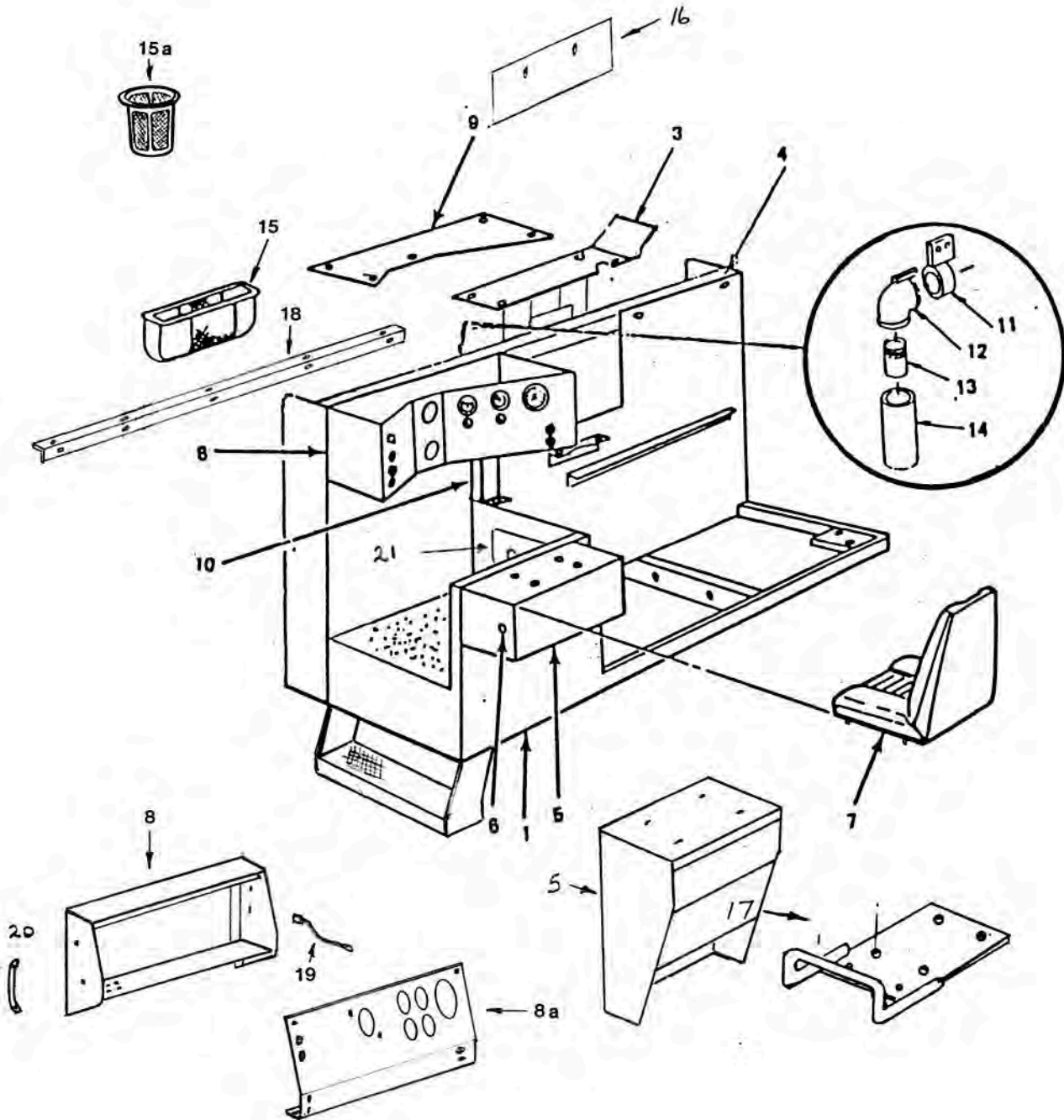
Group 9.10 WATER TANKS & OPTIONAL WATER TRANSFER SYSTEM

IND	PART NO.	DESCRIPTION	QTY	S/N RANGE
30	4E-19090	HANDLE, WATER VALVE	1	3408-5091
	15-01116	KEY, 3/16 SQUARE x 1/2	1	3408-5091
	HD-0440D	SET-SCREW, SOCKET HD, 10-32 x 1/4	1	3408-5091
31	4E-19140	ROD ASS'Y, SUPPORT BKT. WATER TRANSFER	1	5470-
32	4X-0500C	GROMMET, NYLON	1	5470-
33	HA-7056A	TRUARC RETAINER	1	5470-
34	4E-19145	BRACKET, WATER TRANSFER & BOARD SPRAY MOUNT	OPT	5470-
35	7A-15119	LID, ICE MAKING TANK	1	
	7A-0520K	PLASTIC WATER TANK (Option Extra) KIT		
16	RC-5240A	HOSE, 1-5/8 X 60	1	3831-
53	7A-0520A	PLASTIC WATER TANK	1	3831-
53A	7A-0520B	8" WATER TANK COVER	1	3831-
54	FP-0800A	PLUG, PLASTIC, 1/2 NPT	1	3831-
55	FP-3232A	90° ELBOW, PLASTIC, 2 NPT x 2 HOSE	1	3831-
56	RE-8144A	HOSE, 2 x 36	1	3831-
57	FP-2400A	CAP, PLASTIC, 1-1/2" NPT	1	3831-
58	FP-2424A	NIPPLE, PLASTIC, TBE, 1-1/2 NPT CLOSE	1	3831-
59	FP-2024A	90° ELBOW, PLASTIC, 1-1/2 HOSE x 1-1/4 NPT	1	3831-
60	FP-2428A	NIPPLE, PLASTIC, 1-3/4 HOSE x 1-1/2 NPT	1	3831-
61	FP-3232B	NIPPLE, PLASTIC, 2 NPT x 2 HOSE	2	3831-
62	RC-8240B	HOSE, 2 x 60	1	3831-
63	FP-3232C	NIPPLE, PLASTIC, TBE, 2 NPT x CLOSE	1	3831-
64	7A-05204	CHANNEL, TANK HOLD DOWN	1	3831-
65	7A-05201	ANGLE, LEFT SIDE PANEL SUPPORT	1	3831-
66	7A-05202	ANGLE, RIGHT SIDE PANEL SUPPORT	1	3831-
67	7A-05203	CHANNEL, TANK SUPPORT, FRONT	1	3831-
68	7A-0521A	WELDMENT, TANK SUPPORT PANEL	1	3831-
69	FP-3200A	2" NPT PLASTIC CAP	1	3831-
70	7A-05207	FILL TUBE STAINLESS	1	5055-
71	RC-8096A	HOSE 2 x 24"	1	5055-
72	27-2036A	2" GEAR HOSE CLAMPS	2	5055-
	KZ-18030	WASH WATER ADD ON KIT	2	4287-
73	KZ-14210	WATER LEVEL GAUGE GRAVITY, SIGHT GLASS KIT	1	OPT.
	7K-14240	SIGHT GLASS ASS'Y ONLY	1	OPT.

**** ZAMBONI 520 ****

CONSOLIDATED PARTS LIST

GROUP 10.10 WASH WATER TANK & OPERATOR'S AREA



CONSOLIDATED PARTS LIST

Group 10.10 WASH WATER TANK & OPERATOR'S AREA

IND	PART NO.	DESCRIPTION	QTY	S/N RANGE
1	7F-15370	TANK & FRAME WELDMENT 500 LBS.	1	3408-4355
	7F-05000	TANK & FRAME WELDMENT	1	4356-
	HA-14017	SCREW, HEX HD, 1/2-13 x 2-1/4	4	3408-
	HA-14860	FLAT WASHER, 1/2	8	3408-
	HA-14866	BEVEL WASHER, 1/2	8	3408-
	HA-14986	NUT, FLEXLOCK, 1/2-13	4	3408-
3	7A-17320	COVER WASH WATER SCREEN (Rectangular)	1	3408-4286
	7A-17330	COVER WASH WATER SCREEN (Round)	1	4287-4355
	7F-06100	COVER C/W BAFFLE & WATER SCREEN (Round)	1	4356-
	HA-06009	SCREW, HEX HD, 1/4-20 x 3/4	4	3408-
	HA-06892	LOCKWASHER, 1/4	4	3408-
4	7A-17340	STIFFENER, WASH WATER TANK	1	3408-
	HA-10011	SCREW, HEX HD, 3/8-16 x 1	2	3408-
	HA-10981	LOCKNUT, HEX, 3/8-16	2	3408-
	8P-12680	CUSHION, SNOW TANK PAD	2	3408-
	HA-10011	SCREW, HEX HD, 3/8-16 x 1	4	3408-
	HA-10860	FLAT WASHER, 3/8	4	3408-
	HA-10981	LOCKNUT, HEX 3/8-16	4	3408-
5	7H-15230	SUPPORT, OPERATOR'S SEAT	1	3408-4860
	7H-05210	SUPPORT, OPERATOR'S SEAT	1	4861-6923
	7H-0440A	SEAT SUPPORT	1	6924-
	HA-10011	SCREW, HEX HD, 3/8-16 x 1	3	3408-4860
	HA-10981	LOCKNUT, HEX, 3/8-16	3	3408-4860
6	47-17860	LATCH ASS'Y, TOOL BOX	1	3408-
7	7H-05200	SEAT ASS'Y, 18" WIDE	1	3408-
	7H-05200	SEAT ASS'Y, 20" WIDE	1	3408-
	HA-08981	LOCKNUT, HEX, 5/16-18	1	3408-
7A	7H-79400	CUSHION, SEAT BOTTOM, 20" WIDE	1	
7B	7H-79410	CUSHION, SEAT BACK, 20" WIDE	1	
7C	7H-0520A	RETRACTABLE SEAT BELT (Option)	1	3408-
8	46-16180	INSTRUMENT PANEL WELDMENT, PRIMED	1	3408-3607
	46-05280	INSTRUMENT PANEL WELDMENT, PRIMED	1	3608-4646
	46-05290	INSTRUMENT PANEL HOUSING	1	4647-
	HA-10011	SCREW, HEX HD, 3/8-16 x 1	4	3408-
	HA-10981	LOCKNUT, HEX, 3/8-16	4	3408-
	27-30010	CLAMP, WIRE HARNESS	1	3408-
8A	46-04412	DASH PANEL (Hinged, Toggle Switches)	1	4647-5281
	46-04418	DASH PANEL (Rocker Switches)	1	5282-
9	46-77110	COVER, INSTRUMENT PANEL	1	3408-4646
	HA-06506	SCREW, TRUSS HD, 1/4-20 x 1/2	5	3408-
10	46-18900	CONSOLE	1	3408-4646
	46-18902	CONSOLE	1	4647-
	HA-08009	SCREW, HEX HD, 5/16-18 x 3/4	1	3408-
	HA-08862	LOCKWASHER, 5/16	1	3408-
	46-10640	HOLE COVER, SNAP-IN (Used Only With LPG Fuel)	1	3408-
11	5T-18090	BRACKET, WASH WATER DIVERTER	1	3408-6966
	5T-18090	BRACKET, WASH WATER DIVERTER	2	6967-6977
	5T-18080	BRACKET, WASH WATER DIVERTER PIPE SUPPORT	2	6978-
	HA-06009	SCREW, HEX HD, 1/4-20 x 3/4	2	3408-6977
	HA-06981	LOCKNUT, HEX 1/4-20	2	3408-6977

* * Z A M B O N I 520 * *

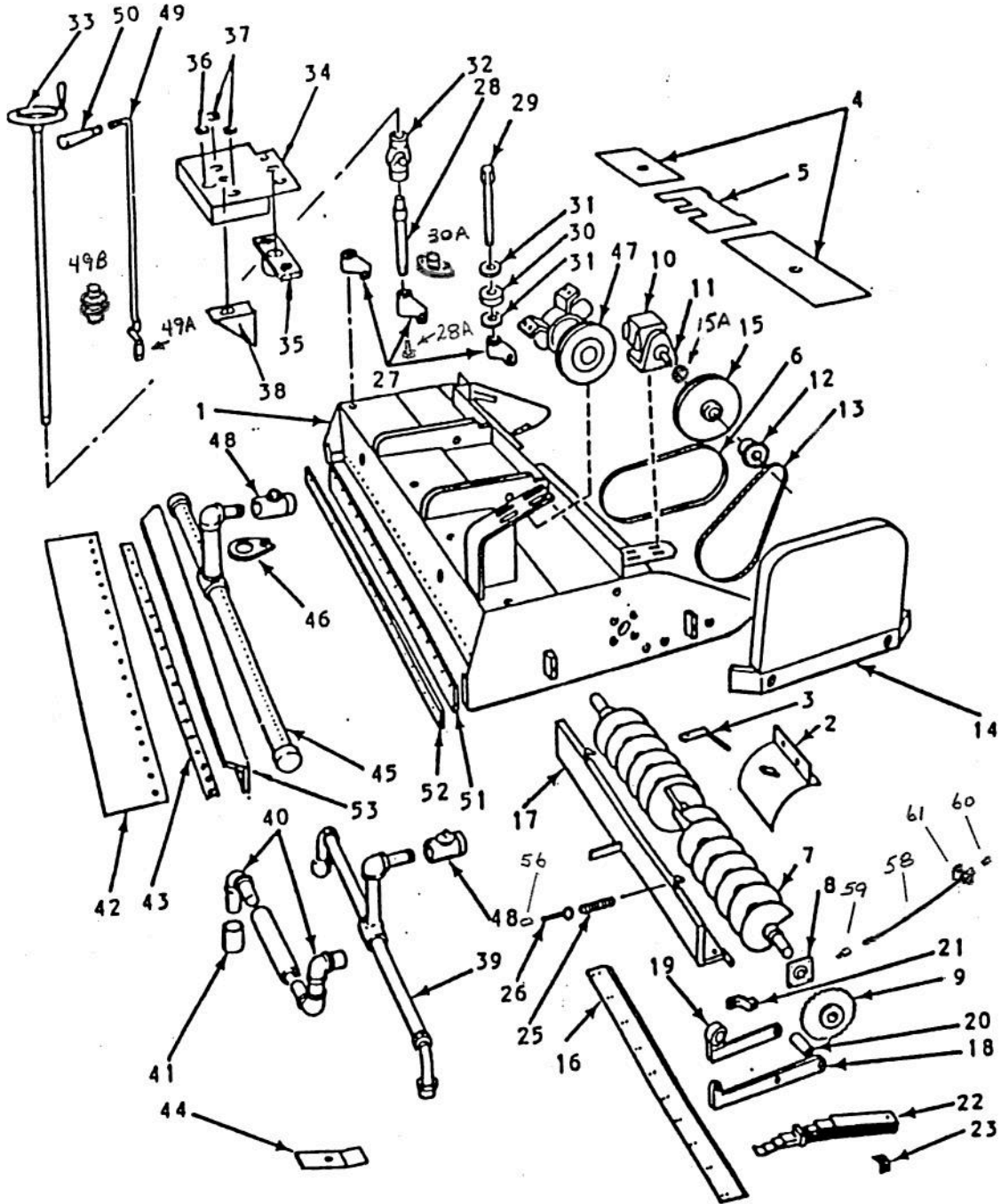
CONSOLIDATED PARTS LIST

Group 10.10 WASH WATER TANK & OPERATOR'S AREA

IND	PART NO.	DESCRIPTION	QTY	S/N RANGE
12	7C-18100	ELBOW, WASH WATER DIVERTER	1	3408-6966
	FF-2020A	1-1/4" X 90° PVC ELBOW	1	6967-
13	FW-43652	NIPPLE, TOE, GALV, 1-1/4 NPT x 3-1/2	1	3408-6966
14	RC-5044A	HOSE, 1-5/8 x 11	1	3408-6966
	27-2024A	CLAMP, 1-5/8 HOSE	1	3408-6966
	FV-64088	1-1/4 x 11 PVC SCH80 T.O.E. NIPPLE	1	6967-
15	7C-15680	SCREEN, WASH WATER (Rectangular)	1	3408-4286
15A	7C-04870	SCREEN, WASH WATER (Round 46% Open Polypropylene)	1	4287-6450
	7C-04875	SCREEN, WASH WATER (Round 61% Open Polyester)	1	6451-
16	7F-05201	AUGER OPENING FILLER PANEL	1	3700-5749
17	7H-15240	HAND RAIL	1	3828-
	HA-06009	SCREW 1/4 x 20 NC x 3/4 LG	2	3828-
	HA-06981	LOCKNUT, 1/4 x 20 NC x 3/4 LG	2	3828-
	HA-08981	LOCKNUT, 5/16 x 18 NC	4	3408-
18	7F-06103	SUPPORT ANGLE	1	4356-
	HA-08009	HEX BOLT 5/16-18 NC x 3/4 LG	8	4356-
	HA-08981	HEX LOCKNUT, 5/16-18NC	8	4356-
19	33-0010A	CABLE ASS'Y (Nylon Covers)	1	4647-
20	NPN	GRAB HANDLE 6.12" C.C. MOUNT (Sub 4A-40520)	1	4647-5736
	4A-40520	GRAB HANDLE 5.5" C.C. MOUNT	1	5737-
	HA-06111	SCREW SOCKET HD. 1/4 x 20NC x 1" LG	2	4647-
	HA-06981	LOCKNUT, HEX., 1/4 x 20NC	2	4647-
	KZ-18030	WASH WATER ADD ON KIT	OPT	
	KZ-05365	PLASTIC WASH WATER TANK INSERT KIT (Factory Installed)	OPT	
	KZ-14213	WASH WATER LEVEL SIGHT GLASS KIT	OPT	
	7K-14241	SIGHT GLASS ASS'Y ONLY	OPT	
21	see 5.10-1	ACCESS COVER CONTROL VALVE PANEL	1	5434-

CONSOLIDATED PARTS LIST

GROUP 11.10 CONDITIONER



Aug 104
SEP 100

** ZAMBONI 520 **

CONSOLIDATED PARTS LIST

Group 11.10 CONDITIONER

IND	PART NO.	DESCRIPTION	QTY	S/N RANGE
1	5H-72160	CONDITIONER FRAME C/W W/W BRACKET PRIMERED (350 lbs)	1	3408-
	5H-72152	CONDITIONER FRAME C/W W/W BRACKET GALVANIZED		
	5H-72150	CONDITIONER FRAME C/W W/W BRACKET RAW UNPRIMERED		
	5F-74500	CONDITIONER ASS'Y (Less Motor, Pump, Valves, Blade)		3408-
	6D-0437K	RUNNER, 3/8" X 1" (Requires Welding)	2	OPT
2	49-39590	SNOW SHIELD (Weldment)	1	3408-6144
	49-39595	SNOW SHIELD	1	6145-
	HA-10013	SCREW, HEX HD, 3/8-16 x 1-1/4	3	3408-
3	HA-10981	LOCKNUT, HEX, 3/8-16	3,4	3408-
	5T-10210	BRACKET, SNOW SHIELD	1	3408-6144
	49-39598	BRACKET, SNOW SHIELD	1	6145-
	HA-10009	SCREW, HEX HD, 3/8-16 x 3/4	1	3408-
4	HA-10862	LOCKWASHER, 3/8	1	3408-6144
	46-77490	COVER, CONDITIONER, END	2	3408-
5	46-39760	COVER, CONDITIONER, CENTRE	1	3408-
	HF-08713	SCREW, PAN HD 5/16-18 x 1-1/4 LG S/S	6	8576-
	HF-08981	NUT, 5/16-18 NYLOCK S/S	6	8576-
6	42-73490	BELT, WATER PUMP DRIVE	1	3408-
7	5A-38230	CONVEYOR SCREW, HORIZONTAL (5" Paddle)	1	3408-7922
	5A-38250	CONVEYOR SCREW, HORIZONTAL (3-1/2" Paddle)	1	7923-
8	1X-33490	BALL BEARING, FLANGED	2	3408-
	HA-12313	SCREW, SOCKET FLAT HEAD, 7/16-14 x 1-1/4	4	3408-
	HA-12013	SCREW, HEX HD, 7/16-14 x 1-1/4	4	3408-
	HA-12981	LOCKNUT, HEX, 7/16-14	8	3408-
	43-73370	SPROCKET, 35 TEETH	1	3408-3607
9	43-4028A	SPROCKET, 28 TEETH	1	3608-
	43-73380	BUSHING, TAPER LOCK, 1" BORE	1	3408-
	15-02116	KEY, 1/4 SQUARE x 1-1/2	1	3408-
	2M-75090	MOTOR (Hyd. Bi-Directional M210 2.29 cu.in., 3 Hose)	1	3408-5427
	2M-75090	MOTOR (Hyd. Bi-Directional M210 2.29 cu.in. used w/Rev.Auger,3 Hose)	OPT	
10	2M-74520	MOTOR (Hyd. Gear M124-2.17 Bi-Directional 3 Hose)	1	8576- +8570
	00-09397	SEAL KIT FOR 2M-75090	1	3408-
	2M-0402A	MOTOR (Hyd. Uni-Directional M2U 2.29 cu. in. 1-5/16 SAE, 2 Hose)	1	5428-5441
	F1-64120	BUSHING (1-5/16 SAE - 1-1/16 SAE)	2	5428-5441
	2M-0403A	MOTOR (Hyd. Uni-Directional M2U 2.29 cu. in. 1-1/16 SAE, 2 Hose)	1	5442-
	2M-0402B	HIGH PRESSURE, MOTOR SHAFT SEAL	OPT	
	HA-10013	SCREW, HEX HD, 3/8-16 x 1-1/4	2	3408-
	2M-53150	BRACKET, MOTOR MOUNTING (Cast)	1	3408-3827
	HA-10013	SCREW, HEX HD, 3/8-16 x 1-1/4	4	3408-
	HA-10860	FLATWASHER, 3/8	4	3408-
11	2M-53160	BRACKET, MOTOR MOUNTING (Fabricated)	1	3828-
	HA-10981	LOCKNUT, HEX, 3/8-16	4	3408-
12	43-39290	SPROCKET, 15 TEETH	1	3408-
	15-01116	KEY, 3/16 SQUARE x 1-1/2	1	3408-
13	44-73480	CHAIN, CONVEYOR DRIVE (73 Pitch Incl. Conn. Link)	1	3408-3607
	44-4071A	CHAIN CONVEYOR DRIVE (70 Pitch Incl. Conn. Link)	1	3608-
14	49-72090	GUARD, CONVEYOR CHAIN	1	3408-
	HA-18313	SCREW, SOCKET FLAT HD, 5/8-11 x 1-1/4	2	3408-
15	KZ-77170	ASS'Y, SHEAVE & BUSHING (Water Pump Drive)	1	3408-6776
	KZ-77220	ASS'Y, CAST PULLEY, BUSHING & HARDWARE	1	6777-
	41-77220	PULLEY, CAST, 8"	1	6777-
15A	41-77190	BUSHING (For KZ-77170 Only)	1	3408-6776
	41-77210	BUSHING, TAPERLOCK (For 41-77220)	1	6777-
	HF-06113	SCREW, SOCKET HEAD CAP, S/S, 1/4 - 20NC X 1-1/4 LG	2	6777-
	HF-07813	LOCKWASHER, HIGH COLLAR, S/S, 1/4"	2	6777-
16	5K-33630	BLADE CONDITIONER	1	3408-
	00-00174	BLADE HARDWARE KIT (1 Bolt, Lockwasher & Nut)	10	3408-
	HA-14316	SCREW, SOCKET FLAT HEAD, 1/2-13 x 2	10	3408-7715
	HF-14316	SCREW, SOCKET FLAT HEAD, 1/2-13 x 2 S/S	10	7716-
	HA-14862	LOCKWASHER, 1/2	10	3408-7715

CONSOLIDATED PARTS LIST

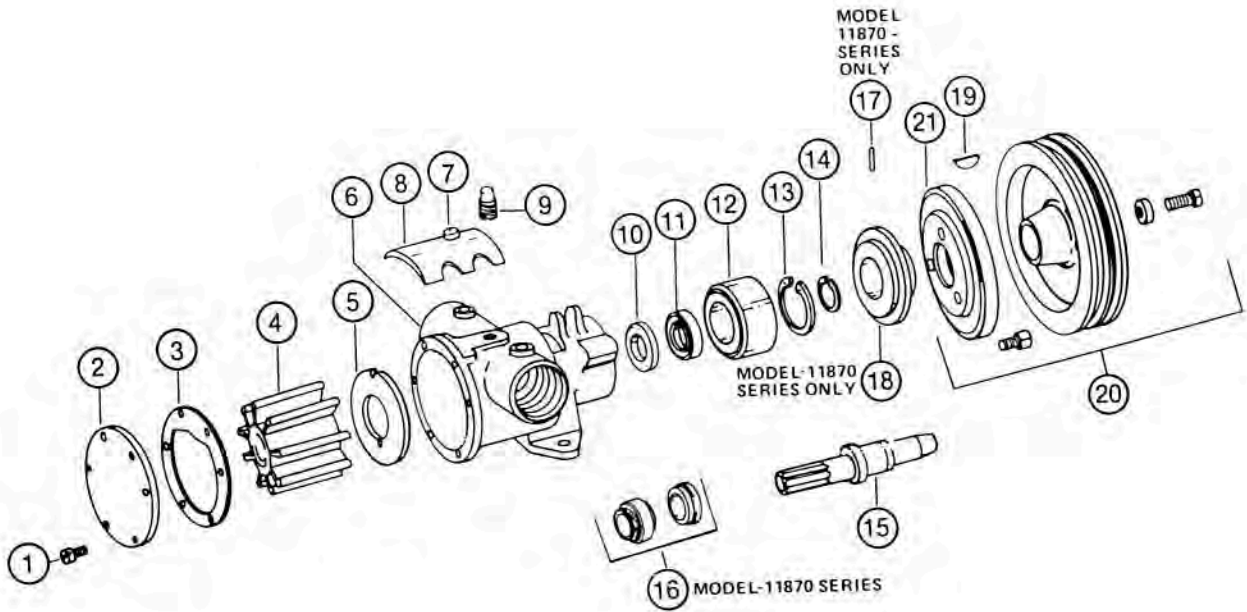
Group 11.10 CONDITIONER

IND	PART NO.	DESCRIPTION	QTY	S/N RANGE
16	HF-14862	LOCKWASHER, 1/2 S/S	10	7716-
	HA-14983	NUT, HEAVY HEX PATTERN, 1/2-13	10	3408-7715
	HF-14980	NUT, HEAVY HEX PATTERN, 1/2-13 S/S	10	7716-
	5K-0520A	KNIFE GUARD (Blade Protector)	OPT	
17	5K-78890	BAR, BLADE SUPPORT	1	3408-
18	5F-33410	ARM, BLADE FULCRUM, LEFT	1	3408-
	5F-33420	ARM, BLADE FULCRUM, RIGHT	1	3408-
19	5F-33450	ARM, BLADE HAMMER, LEFT OR RIGHT	2	3408-
20	13-22160	BUSHING, FULCRUM ARM	2	3408-
	HA-18318	SCREW, SOCKET FLAT HEAD, 5/8-11 x 2-1/2 (Use HD-18318)	1	3408-
	HD-18318	SPECIAL, FLAT HD SOCKET 5/8-11 x 2-1/2	1	3408-
	HA-18018	SCREW, HEX HD, 5/8-11 x 2-1/2	1	3408-
	HA-18860	FLAT WASHER, 5/8	2	3408-
	HA-18987	NUT, THIN PATTERN FLEXLOCK, 5/8-11	2	3408-
21	5T-10220	BRACKET, HAMMER ARM SUPPORT	2	3408-
	HA-14313	SCREW, SOCKET FLAT HD, 1/2-13 x 1-1/4	1	3408-
	HA-14013	SCREW, HEX HD, 1/2-13 x 1-1/4	1	3408-
	HA-14986	NUT, HEX FLEXLOCK, 1/2-13	2	3408-
22	1L-33481	LEAF SPRING	2	3408-
	HD-2251L	SET-SCREW, SQUARE HD, 3/4-10 x 3	2	3408-
23	5T-16100	BRACKET, LEAF SPRING SUPPORT	2	3408-
	HA-14313	SCREW, SOCKET FLAT HD, 1/2-13 x 1-1/4	1	3408-
	HA-14013	SCREW, HEX HD, 1/2-13 x 1-1/4	1	3408-
	HA-14986	NUT, HEX FLEXLOCK, 1/2-13	2	3408-
25	1L-33580	EXTENSION SPRING	2	3408-
26	HC-1011X	EYE BOLT	2	3408-
	HA-10980	NUT, HEX, 3/8-16	2	3408-
27	36-33930	CLEVIS, BLADE ADJUSTING	3	3408-4855
	36-33930	CLEVIS, BLADE ADJ.- R.H. & CTR.(C/W Grease Fitting)	2	4856
	36-3393A	CLEVIS, BLADE ADJ.- L.H. (C/W Grease Fitting)	1	4856-
	HA-12015	SCREW, HEX HD, 7/16-14 x 1-3/4	3,2	3408-
	HE-12015	SCREW, HEX HD, 7/16-14 X 1-3/4 (Special Blade Angle)	1	4879-
	HA-12981	LOCKNUT, 7/16-14	3	3408-
28	5F-33510	ADJUSTING SCREW (Blade Angle)	1	3408-6414
	5F-33510	ADJUSTING SCREW (Blade Angle, c/w Lockbolt)	1	6415-
28A	HF-08009	SCREW HEX HD. 5/16-18 X 3/4 LG S/S	1	6415-
	HA-08860	5/16 FLAT WASHER	1	6415-
	HA-08862	5/16 LOCK WASHER	1	6415-
	5F-37340	ADJUSTING SCREW (Blade Height)	2	3408-4878
29	5F-3734A	ADJUSTING SCREW (Blade Height)	2	4879-
	5F-37350	BLADE HEIGHT ADJUSTING SCREW LOCK	2	OPT.
30	1X-33520	BALL BEARING (Blade Adjusting)	3	3408-3827
	1X-13500	DELTRIN THRUST BEARING	3	3828-4878
	1X-13500	DELTRIN THRUST BEARING (Blade Height)	2	4879-
30A	1X-0440A	BEARING (Blade Angle)	1	4879-
	HA-10013	SCREW, HEX HD, 3/8-16 X 1-1/4	2	4879-
	HA-10981	NUT, 3/8 X 16 NYLOCK	2	4879-
31	HF-22860	3/4 S/S MILITARY WASHER	3,2	3828-
	5K-33530	PAD SET, BLADE ADJUSTING BEARING	3	3408-3827
32	2B-33570	UNIVERSAL JOINT, BLADE ADJUSTING	1	3408-
	15-01100	KEY, 3/16 SQUARE x 1	2	3408-
33	4C-1873A	HANDWHEEL & ROD ASS'Y, BLADE ANGLE ADJUST.	1	3408-
	4C-18732	HANDWHEEL C/W HANDLES ONLY	1	3408-
	4B-18750	HANDLE	1	3408-
34	38-16520	GUIDE PANEL, CONDITIONER CONTROLS	1	3408-4904
		SEE GROUP 5.10 FOR S.N. 4905-UP		
35		SNOW BREAKER ROD GUIDE - SEE GROUP 6.010		
36	4X-0500B	GROMMET NYLON (Includes Truarc Ret)	1	3408-
37	4X-0500C	GROMMET NYLON (Includes Truarc Ret)	2	3408-

CONSOLIDATED PARTS LIST

Group 11.15 WASH WATER PUMP

Serial Number Range: 3408-



* * Z A M B O N I 520 * *

CONSOLIDATED PARTS LIST

Group 11.15 WASH WATER PUMP

IND	PART NO.	DESCRIPTION	QTY	S/N RANGE
**	2P-37570	COMPLETE PUMP	1	3408-
1	* 00-09366	SCREW (End Cover)	5	3408-
2	* 00-09358	END COVER	1	3408-
3	* 00-00816	GASKET	1	3408-
4	2P-33850	IMPELLER (Rubber)	1	3408-
5	* 00-00819	WEAR PLATE	1	3408-
6	2P-37575	BODY	1	3408-
7	HD-0640P	SCREW (Cam)	1	3408-
8	* 00-09367	CAM, BRASS	1	3408-
9	FL-18070	PIPE PLUG, 1/4 NPT BRASS	2	3408-
10	2P-3757A	SLINGER	1	3408-
11	00-00817	SEAL (Bearing)	1	3408-
12	00-09404	BALL BEARING (Pump)	1	3408-
13	HA-7152A	RETAINING RING (Bearing to Body)	1	3408-
14	HA-7076A	RETAINING RING (Bearing to Shaft)	1	3408-
15	19-07000	SHAFT	1	3408-
16	* 00-09359	SEAL (Shaft)	1	3408-
17	15-81230	ROLL PIN (Adaptor) 3/16 x 3/4	2	3408-
18	2P-37580	ADAPTOR	1	3408-
19	15-70505	KEY (Clutch Drive)	1	3408-
20	2A-6000H	CLUTCH ASS'Y, COMPLETE 12V	1	3408-
21	8F-37470	FIELD COIL (Replacement)	1	3408-

* = Kit, General Water Pump Repair Z Part No. 3758

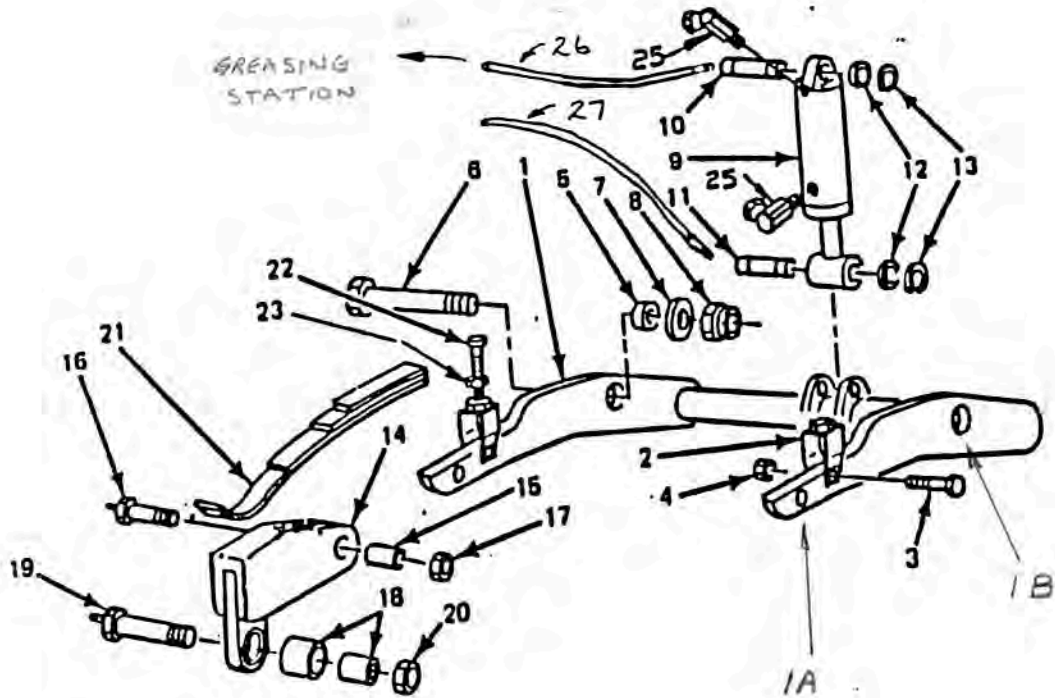
OPERATION

Pump will self-prime at low or high speeds. Make sure that all connections are airtight. DO NOT RUN PUMP DRY FOR MORE THAN 30 SECONDS. LACK OF WATER FLOW MAY DAMAGE IMPELLER. To drain pump, loosen end cover screws. To avoid costly shutdowns, keep a Jabsco Service Kit on hand. **Impeller Replacement:** Remove end cover and gasket. Pull impeller out by grasping hub with pliers. With a rotary motion in the direction the pump will be turning, push the impeller into the impeller bore. A light coating of grease in the impeller bore will protect the impeller during initial dry start up. Install gasket and end cover.

* * Z A M B O N I 520 * *

CONSOLIDATED PARTS LIST

GROUP 11.20 CONDITIONER LIFT BAR



CONSOLIDATED PARTS LIST

Group 11.20 CONDITIONER LIFT BAR

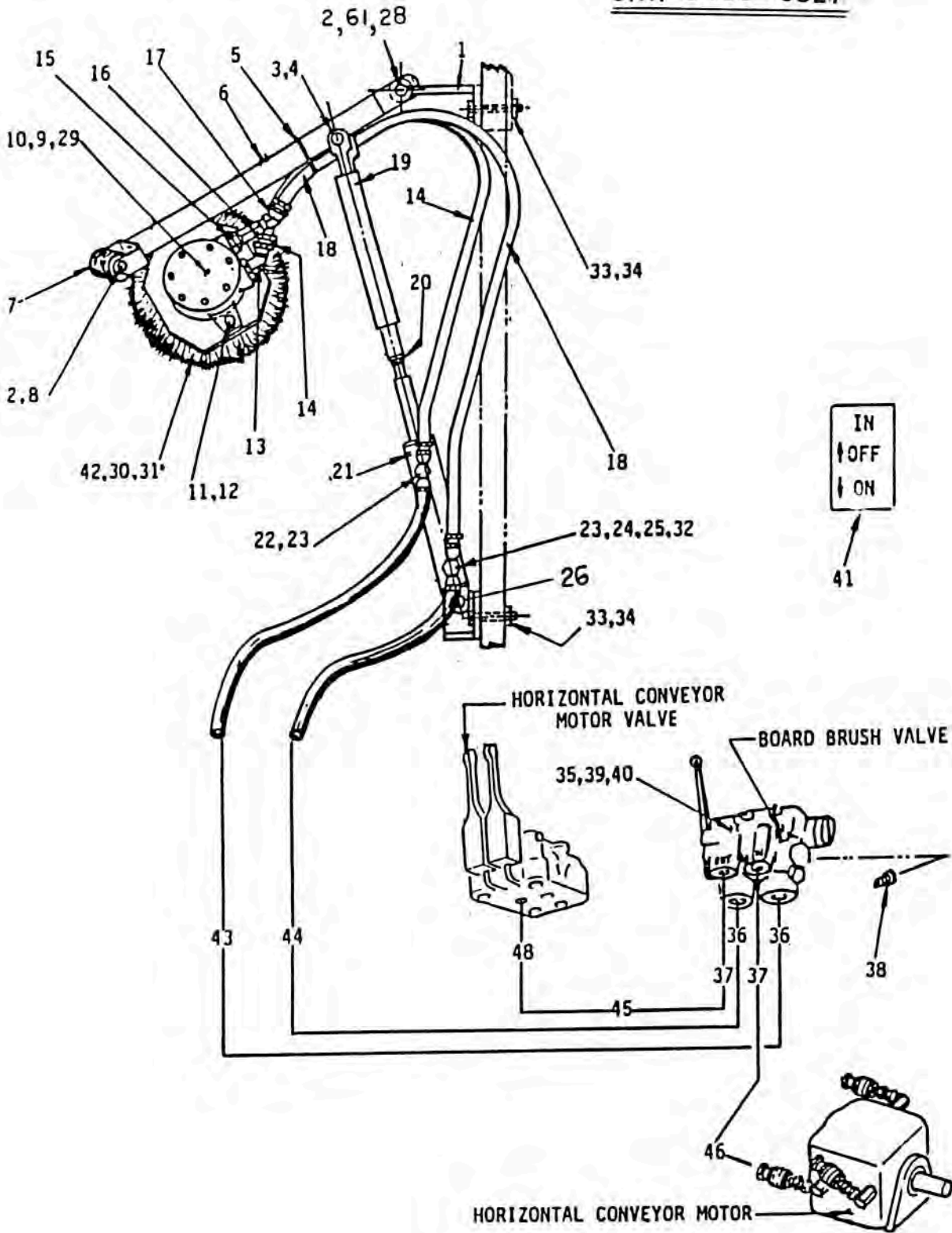
IND	PART NO.	DESCRIPTION	QTY	S/N RANGE
1	5J-77780	LIFT BAR WELDMENT (Sub 5J-77770)	1	3408-3827
	5J-77770	LIFT BAR WELDMENT WITH BUSHINGS	1	3828-6450
	5J-77770	LIFT BAR WELDMENT WITH BUSHINGS (1/4" Longer for Auto Snow Breaker)	1	6442,46,51-
1A	10-3220A	HARDENED BUSHING 1" ID x 1-1/4 OD x 3/4 LG	2	3828-
1B	10-4828A	HARDENED BUSHING 1-1/2" ID x 1-3/4 OD x 3/4 LG	2	3828-
2	38-77770	YOKE, LEAF SPRING	2	3408-
3	HA-10015	SCREW, HEX HD, 3/8-16 x 1-3/4 (Sub HA-12015)	2	3408-4700
	HA-12015	SCREW, HEX HD, 7/16-14 x 1-3/4 LG	2	4701-
4	HA-10981	LOCKNUT, HEX, 3/8-16 (Sub HA-12981)	2	3408-4700
	HA-12981	LOCKNUT, 7/16-14	2	4701-
5	10-39610	BUSHING	2	3408-
6	HD-3062D	SCREW WITH GREASE FITTING, 1-8 x 6	2	3408-
7	HA-30861	FLAT WASHER, 1"	2	3408-
8	HA-30986	NUT, HEX FLEXLOCK, 1-8	2	3408-
9	2Y-39360	CYLINDER (Pneu-Hyd, 3" Bore, 5" Stroke)	1	3408-3827
	2Y-3936A	CYLINDER (KMW, 3" Bore, 5" Stroke)	1	3828-4649
	2Y-39370	CYLINDER (Shur-Lift, 3" Bore, 5" Stroke)	1	4650-
9A	2Y-3936S	SEAL KIT FOR (Pneu-Hyd 2Y-39360)	1	3408-3827
	2Y-3936K	SEAL KIT FOR (KMW 2Y-3936A)	1	3828-4649
	2Y-3935K	SEAL KIT FOR (Shur-Lift 2Y-39370 & 2Y-39350)	1	4650-
10	16-70560	PIN WITH GREASE FITTING (Cylinder Top)	1	3408-3827
	16-7056A	PIN FOR GREASE HOSE (Cylinder Top)	1	3828-
11	16-70570	PIN WITH GREASE FITTING (Cylinder Bottom)	1	3408-3827
	16-7057A	PIN FOR GREASE HOSE (Cylinder Bottom)	1	3828-
12	HA-30861	FLAT WASHER, S.A.E., 1"	4	3408-
13	HA-7064A	SNAP RING, PIN RETAINING	4	3408-
14	5J-77790	YOKE, LIFT ARM (Use 5J-77760)	2	3408-3827
14A	5J-77760	YOKE, LIFT ARM (With Bushing)	2	3828-3912
14B	5J-04005	YOKE, LIFT ARM (Cast With Grease Fitting)	2	3913-4222
14C	5J-04020	YOKE, LIFT ARM (Fab. With Grease Fitting)	2	4223-
15	10-71300	BUSHING, YOKE TO LIFT BAR	2	3408-
16	HD-1861F	SCREW WITH GREASE FITTING, 5/8-11 x 2-1/2	2	3408-
17	HA-18986	NUT, HEX FLEXLOCK, 5/8-11	2	3408-
18A	10-2424A	BUSHING, INNER	2	3408-
18B	10-3623A	BUSHING, OUTER	2	3408-3827
19A	HD-2261N	SCREW WITH GREASE FITTING, 3/4-10 x 3-1/4	2	3408-3827
19B	HA-22021	3/4-10 x 3-1/4 HEX BOLT	2	3913-
20	HA-22986	NUT, HEX FLEXLOCK, 3/4-10	2	3408-
21	1L-67540	LEAF SPRING	2	3408-
22	HD-1451F	SET-SCREW, SQUARE HD, 1/2-13 x 2-1/2	2	3408-
23	HA-14982	NUT, THIN PATTERN HEX, 1/2-13	2	3408-
25	F2-69090	90° ELBOW, 06FS x 08MP	2	3408-
26	PL-0056B	HOSE CYL GREASING 14" LG TO AUG. HOUSING	1	3828-6753
	PL-0120B	HOSE CYL GREASING 38" LG TO GREASE STATION	1	6754-
27	PL-0092B	HOSE CYL GREASING 23" LG TO AUG. HOUSING	1	3828-6753
	PL-0130B	HOSE CYL GREASING 48" LG TO GREASE STATION	1	6754-
*	9099	LIFT BAR BUSHING KIT INCLUDES ITEMS 5, 6, 7, 8, 15, 16, 17, 18, 19 & 20		

*** * Z A M B O N I 5 2 0 * ***

CONSOLIDATED PARTS LIST

GROUP 12.10 BOARD BRUSH

S.N. 3408 - 3827



* * Z A M B O N I 5 2 0 * *

CONSOLIDATED PARTS LIST

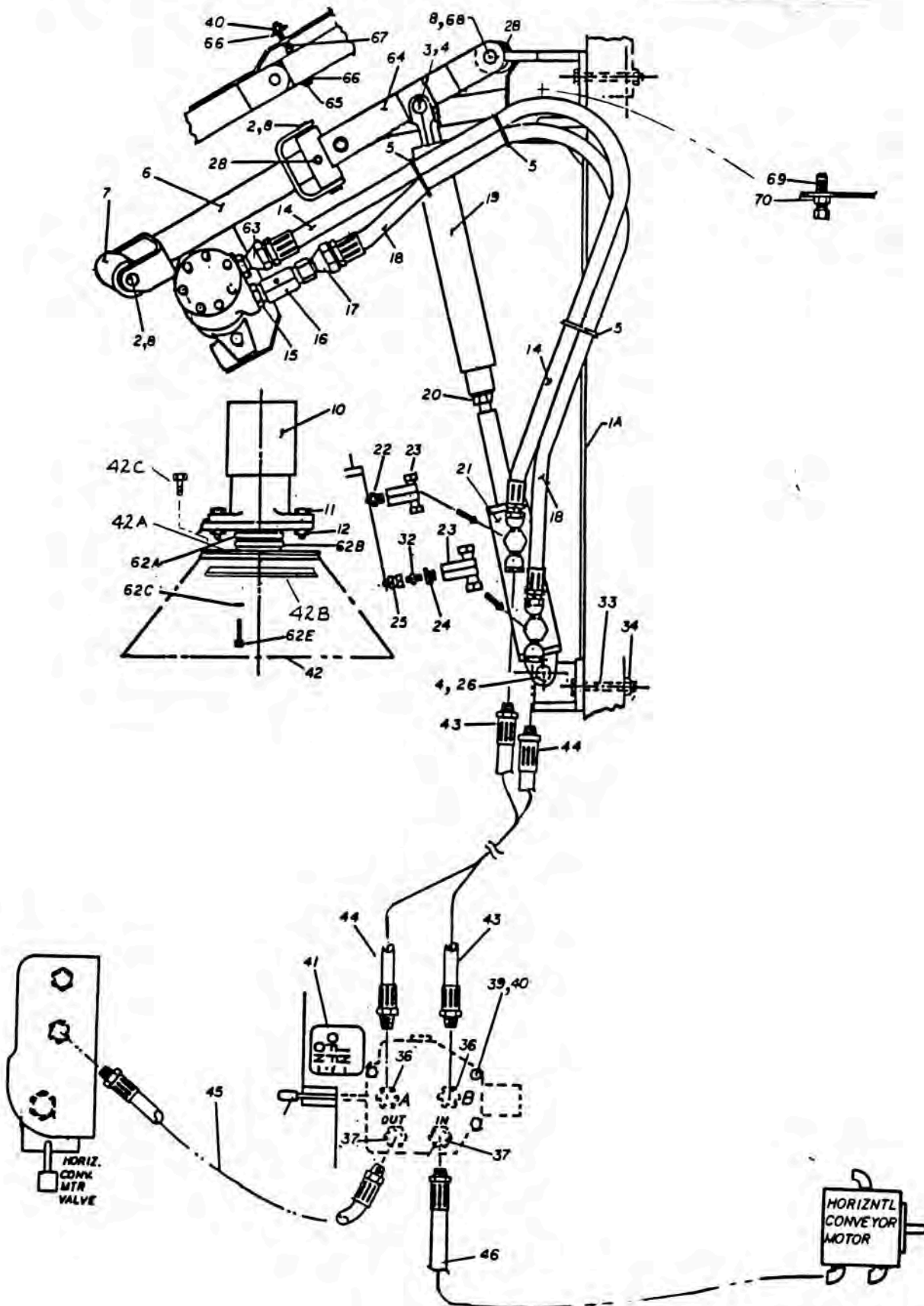
Group 12.10 BOARD BRUSH

IND	PART NO.	DESCRIPTION	QTY	S/N RANGE
1	3M-18300	BRACKET, ARM MOUNTING FRONT	1	3408-3827
1A	5V-0602A	MOUNTING BKT	1	3828-4204
	5V-0605A	MOUNTING BKT	1	4205-4700
2	15-62130	HINGE PIN 5/8 x 4-1/8	2	3408-4700
3	HA-65444	CLEVIS PIN, 1/2 x 1-3/8	1	3408-4700
4	HA-52712	COTTER PIN, 1/8 x 1-1/8	2	3408-4700
5	27-40010	CLAMP, TY-WRAP	2	3408-4700
6	4F-62050	ARM, MOTOR SUPPORT	1	3408-3827
	5V-0600A	LOWER BRUSH ARM	1	3828-4204
	5V-0605C	LOWER BRUSH ARM	1	4205-4700
7	8R-62140	ROLLER, BRUSH GUIDE	1	3408-4700
8	HA-52716	COTTER PIN, 1/8 x 2	1	3408-3607
	15-81116	ROLL PIN, 5/32 x 1-1/2	1,3	3608-4700
9	43-0916B	ADAPTER, BRUSH MOUNTING (Sub Item 62A & B)	1	3408-3607
10	2M-62030	HYDRAULIC MOTOR (Sub 2M-62040)	1	3408-3495
	2M-62040	HYDRAULIC MOTOR	1	3496-4700
10A	2M-62041	SEAL KIT FOR 2M-62040 SERIES 001		
	2M-62042	SEAL KIT FOR 2M-62040 SERIES 002 & 003		
11	HA-10014	SCREW, HEX HD, 3/8-16 x 1-1/2	2	3408-3827
	HA-14014	SCREW, HEX HD, 1/2-13NC x 1-1/2 LG	1	3828-4700
12	HA-10981	LOCKNUT, HEX, 3/8-16	2	3408-3827
	HA-14986	LOCKNUT 1/2 x 13NC	1	3828-4700
13	F1-75070	45° ELBOW, 10MB x 06FS	1	3408-3827
14	PM-4152B	HOSE, 1/2 x 38, 06MP x 06MP	1	3408-4700
15	F1-62540	ADAPTER, 10MB x 08MP	1	3408-4357
	F1-64580	ADAPTER, 10MB x 08FP	1	4358-4700
16	2V-44580	CHECK VALVE, 08MP x 08FP	1	3408-4357
	2V-44610	CHECK VALVE, 08MP x 08MP	1	4358-4700
17	F2-76040	45° ELBOW, 06FS x 08FP	1	3408-3827
	F2-65150	ADAPTER, 08FP, 06FS	1	3828-4700
18	PM-4164C	HOSE x 1/2 x 41, 06MP x 06MP	1	3408-4700
19	1W-62210	DAMPENER	1	3408-4700
20	HA-19982	NUT, HEX THIN PATTERN, 5/8-18	1	3408-4700
21	2Y-62280	CYLINDER (Pneu-Hyd)	1	3408-3827
	2Y-6228A	CYLINDER (KMW)	1	3828-4641
	2Y-62290	CYLINDER, (Shur-Lift)	1	4642-4700
21A	2Y-7939K	SEAL KIT (Pneu-Hyd)	1	3408-3827
	2Y-2008K	SEAL KIT (KMW)	1	3828-4641
	2Y-6229K	SEAL KIT (Shur-Lift)	1	4642-4700
22	FL-62030	HEX NIPPLE, 06MP x 04MP	1	3408-4700
23	F2-81270	TEE, 06FS x 06FS RUN, 06FP BRANCH	2	3408-4204
23A	F2-8127A	TEE SPECIAL	4	4205-4700
24	FD-15010	REDUCING BUSHING, 3/8 x 1/4 NPT	1	3408-4700

* * Z A M B O N I 5 2 0 * *
 CONSOLIDATED PARTS LIST

GROUP 12.10 BOARD BRUSH

S 3827 42 4



REV 8/93

CONSOLIDATED PARTS LIST

Group 12.10 BOARD BRUSH

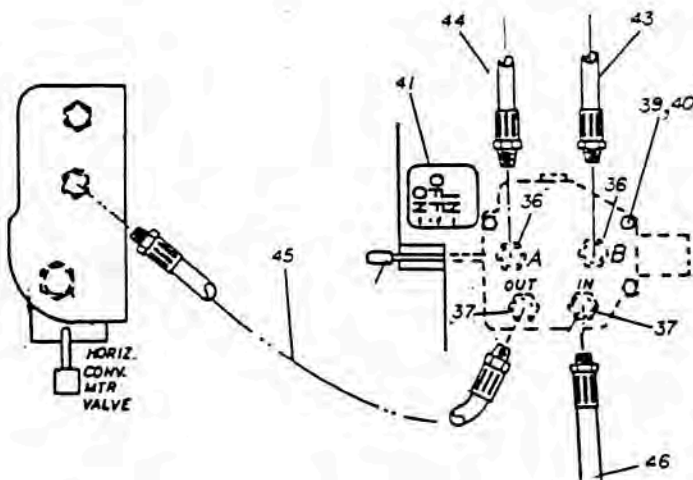
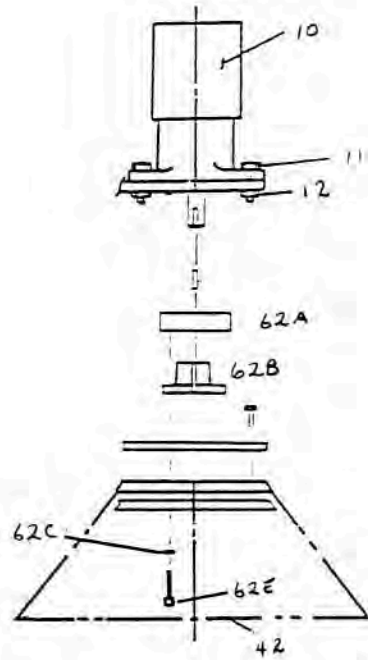
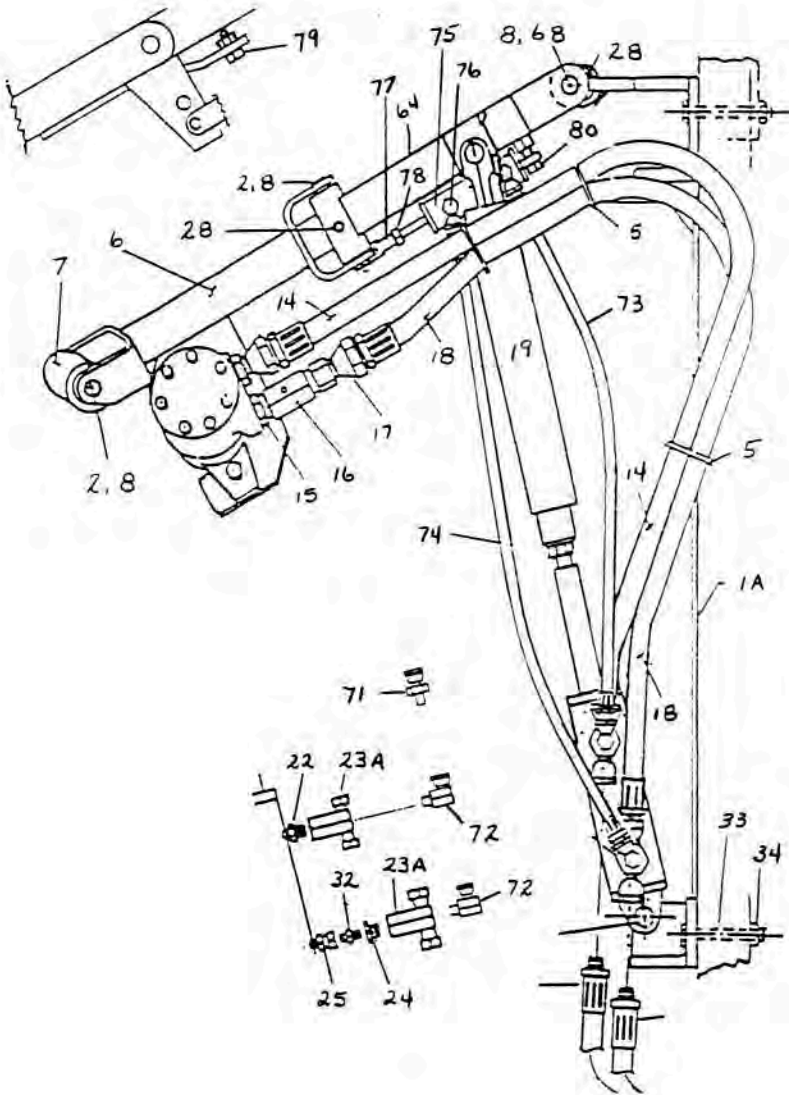
IND	PART NO.	DESCRIPTION	QTY	S/N RANGE
25	F2-9303E	RESTRICTOR, .040 ORIFICE, 04FS x 04MP	1	3408-4317
	F2-9303H	RESTRICTOR, .062 ORIFICE, 04FS x 04MP	1	4318-4641
	F2-9330H	RESTRICTOR, .062 ORIFICE, 06FS x 04MP	1	4642-4700
26	HA-66484	CLEVIS PIN, 5/8 x 1-3/4	1	3408-4700
28	1Z-04710	GREASE FITTING, 1/4 DRIVE	1	3408-4700
29	HD-0640F	SET-SCREW, HEX SOCKET, 1/4-20 x 3/8	1	3408-3607
30	HA-06006	SCREW, HEX HD, 1/4-20 x 1/2	3	3408-3607
31	HA-06862	LOCKWASHER, 1/4	3	3408-3607
32	F2-62010	ADAPTER, 04MP x 04MPA (NPSM)	1	3408-4700
33	HA-13021	SCREW, HEX HD, 7/16-20 x 3-1/4	4	3408-4700
34	HA-13981	LOCKNUT, HEX, 7/16-20	4	3408-4700
35	2V-6204C	VALVE, BOARD BRUSH CONTROL (Kontak)	1	3408-4700
	2V-5403A	VALVE, POST & HANDLE KIT (Kontak)	1	3408-4700
36	F1-64360	ADAPTER, 10MB (O-Ring) x 06FS	2	3408-4700
37	F1-64390	ADAPTER, 12MB (O-Ring) x 08FS	2	3408-4700
38	FL-18210	PLUG, HEX SOCKET DRYSEAL 3/4 NPTF	1	3408-4700
39	HA-08019	SCREW, HEX HD, 5/16-18 x 2-3/4	3	3408-4700
40	HA-08981	LOCKNUT, HEX, 5/16-18	3	3408-4700
41	82-0520C	PLATE, BOARD BRUSH VALVE OPERATION	1	3408-4700
42	5V-62020	BRUSH	1	3408-4700
42A	5V-62021	BRUSH MOUNTING PLATE	1	3408-4700
42B	5V-62022	BRUSH RETAINING PLATE	1	3408-4700
42C	HA-08011	SCREW HEX HD, 5/16 x 18NC x 1" LG	3	3408-4700
43	PM-4400B	HOSE, 1/2 x 100, 06MP x 06MP	1	3408-4700
44	PM-4376B	HOSE, 1/2 x 94, 06MP x 06MP	1	3408-4700
45	PM-4104B	HOSE, 1/2 x 26, 08MP x 08MP	1	3408-4700
46	PM-4248B	HOSE, 1/2 x 62, 08MP x 08MP	1	3408-4700
48	F1-64340	ADAPTER, 08MB x 08FS	1	3408-4700
61	15-81116	ROLL-PIN, 5/32 x 1-1/2	1	3408-4700
62A	5V-0500A	ADAPTER TAPER LOCK	1	3608-4700
62B	43-0916C	BUSHING, MODIFIED Q.D.	1	3608-4700
62C	HA-06862	LOCKWASHER 1/4"	3	3608-4700
62E	HA-06013	SCREW, HEX HD 1/4 x 20NC x 1-1/4 LG	3	3608-4700
63	F1-64360	ADAPTER 10MB x 06FS	1	3827-4700
64	5V-0600C	UPPER BRUSH ARM	1	3828-4204
	5V-0605B	UPPER BRUSH ARM	1	4205-4700
65	HA-08023	SCREW, HEX HD 5/16 x 18 x 3-3/4	1	3827-4204
66	HA-08860	FLATWASHER 5/16	1	3827-4204
67	1L-2001A	SPRING	1	3827-4204
68	5V-06017	PIVOT PIN ARM TO MT BKT, 3/4 x 4-1/8	1	3828-4700
69	HE-1401B	BRONZE BOLT HEX HD 1/2-13NC x 2"	1	3828-4204
70	HA-14982	HEX NUT 1/2 x 13 NC	1	3828-4204
71	F2-9303F	RESTRICTOR .030 Dia. 04FS, 04MP	1	4205-4642
	F2-9303E	RESTRICTOR .040 Dia. 04FS, 04MP	1	4643-4700
72	F2-69040	90° ELBOWS 04MP, 04FS	2	4205-4700
73	PM-1088D	HOSE, 04, 22.00, 04MP, 02MP	1	4205-4700
74	PM-1124B	HOSE, 04 31.00, 04MP, 02MP	1	4205-4700

* * Z A M B O N I 520 * *
 CONSOLIDATED PARTS LIST

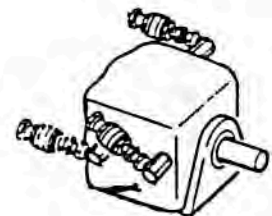
GROUP 12.10

BOARD BRUSH

4205-



HORIZONTAL CONVEYOR MOTOR



* * Z A M B O N I 520 * *

CONSOLIDATED PARTS LIST

Group 12.10 BOARD BRUSH

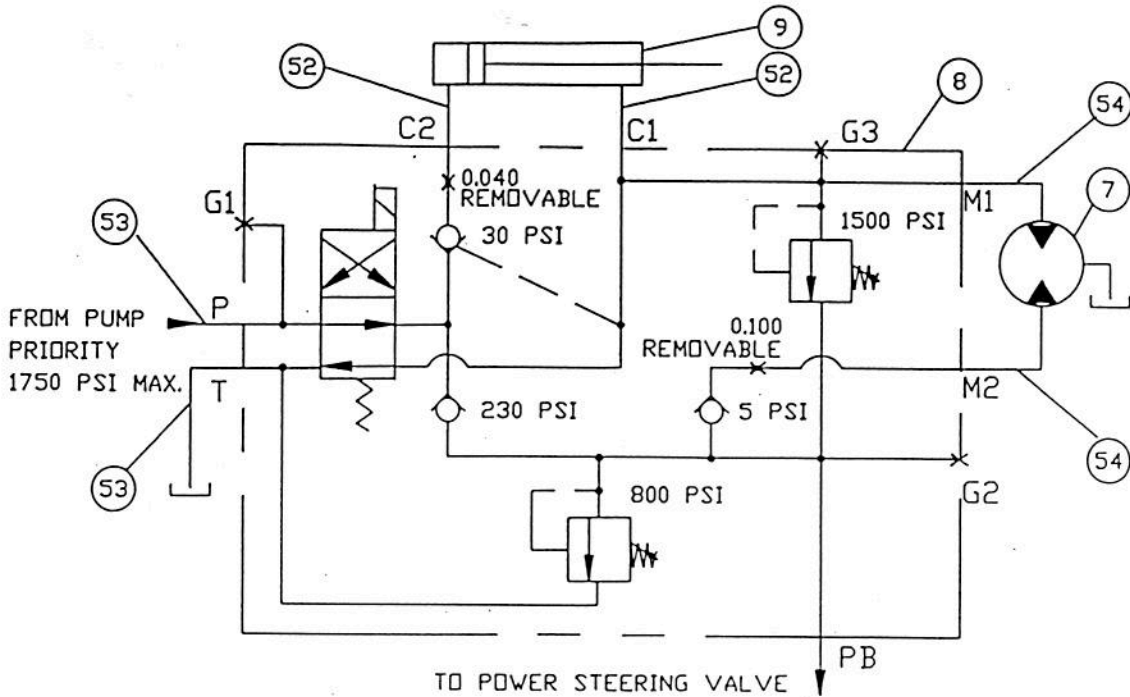
IND	PART NO.	DESCRIPTION	QTY	S/N RANGE
75	2Y-87560	CYLINDER, 1 x 2 (KMW)	1	4205-4353
	2Y-87570	CYLINDER, 1 x 2 (Shur-Lift)	1	4354-4674
	2Y-87590	CYLINDER, 1 1/2 x 2 (Shur-Lift)	1	4675-4700
75A	2Y-8754K	SEAL KIT FOR (KMW 2Y-87540, 87550, 87560)	1	4205-4353
	2Y-8757K	SEAL KIT FOR (Shur-Lift 2Y-87570, 2Y-87580)	1	4354-4674
	2Y-8759K	SEAL KIT FOR (Shur-Lift 2Y-87590, 2Y-87600)	1	4675-4700
76	F2-69010	90° ELBOW 02MP, 02FS	2	4205-4700
77	36-0600A	CLEVIS AND PIN 1/2 x 20 NF	1	4205-4700
78	HA-15982	1/2 x 20 NF JAM NUT HEX.	1	4205-4700
79	HA-14014	1/2 x 13 NC x 1-1/2" LONG HEX BOLT	1	4205-4700
	HA-14982	1/2 x 13 NC HEX NUT	1	4205-4700
80	HA-14017	1/2 x 13 NC 2-1/4 LG HEX BOLT	1	4205-4700

**** ZAMBONI 520 ****

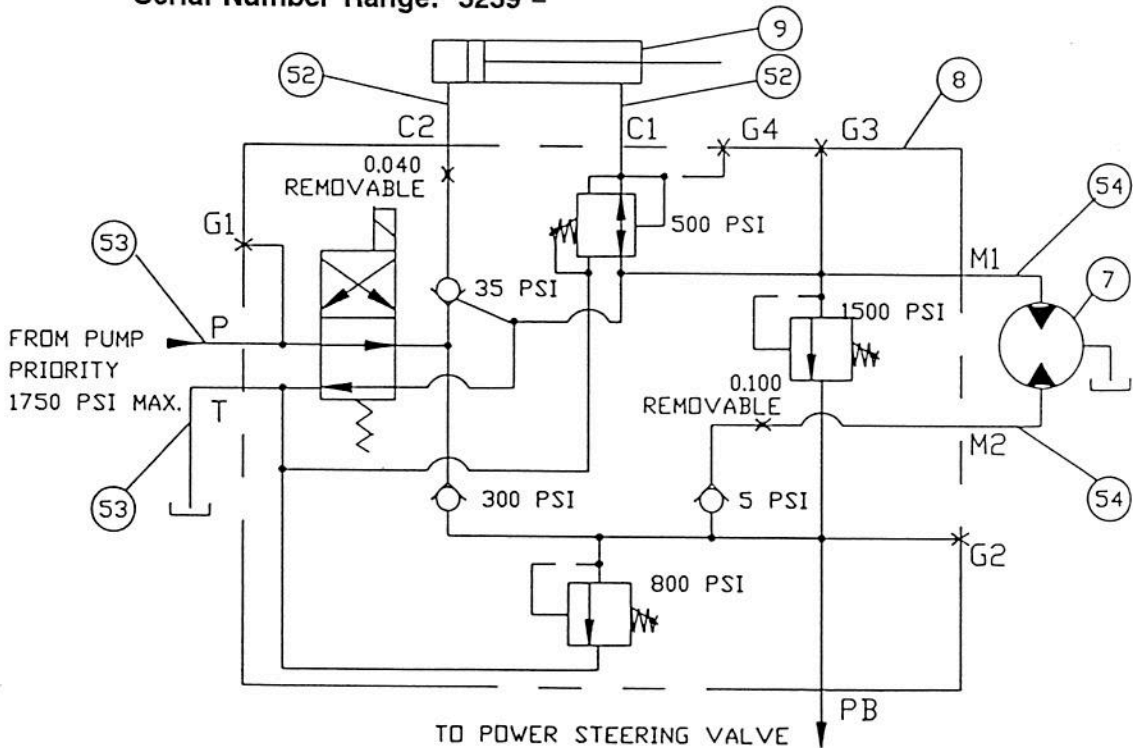
CONSOLIDATED PARTS LIST

Group 12.10 BOARD BRUSH

Serial Number Range: 4701 - 5258



Serial Number Range: 5259 -



**** ZAMBONI 520 ****

CONSOLIDATED PARTS LIST

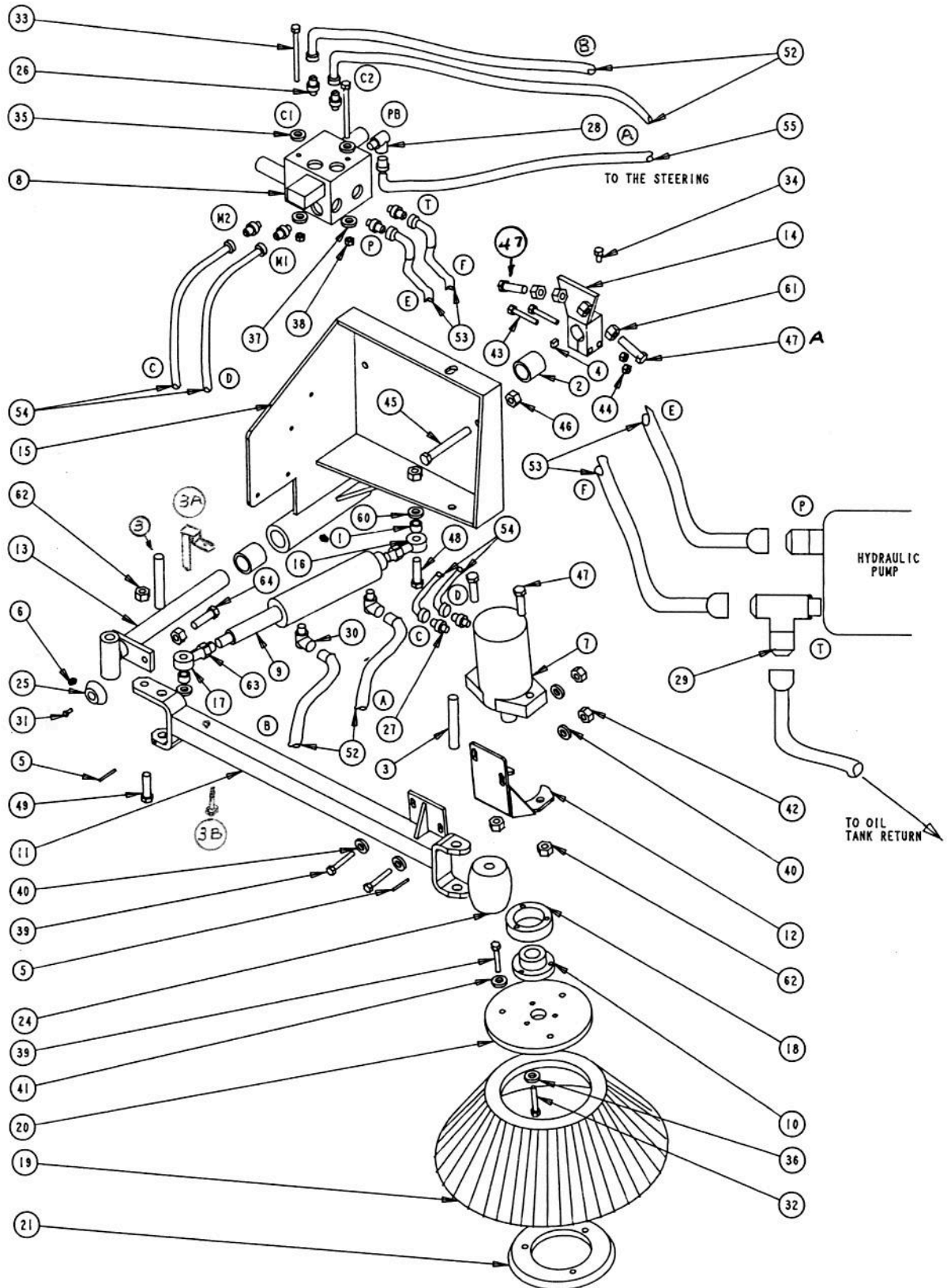
Group 12.10 BOARD BRUSH

IND	PART NO.	DESCRIPTION	QTY	S/N RANGE
1	10-19070	BUSHING, SPACER	2	4701-5072
	10-19440	BUSHING WELDED TO ARM AND PAN	2	5073-up
2	10-3624H	BUSHINGS, BRONZE, 1-1/2" OD, 1-1/8" ID, 1-1/2" LG	2	4701-
3	15-62130	PIN, NYLON ROLLER	2,1	4701-
3A	15-62140	PIVOT PIN ASS'Y	1	6142-
3B	HA-08017	BOLT HEX HD. 5/16 x 18NC x 2-1/4 LG	1	6142-
	HA-08981	5/16 LOCK NUT	1	6142-
4	15-70606	WOODRUFF KEY, #9	1	4701-4861
	15-02116	1/4 x 1-1/2 SQUARE KEY (Sub 15-02108)	1	4862-
	15-02108	1/4 x 1-1/4 SQUARE KEY	1	4862-
5	15-81116	ROLL PIN, 5/32" X 1-1/2"	2,1	4701-
5A	15-81110	ROLL PIN, 5/32" X 1-1/4"	1	6142-
6	1Z-01620	FITTING, GREASE, 1/4"-28NF	2	4701-
7	2M-62060	MOTOR, HYDRAULIC (2.8 Cu. In. Disp., Sub 2M-62065)	1	4701-5427
	2M-62065	MOTOR, HYDRAULIC (2.2 Cu In. Disp.)	1	5428-
	2M-62042	SEAL KIT (For 2M-62060 & 2M-62065)	1	4701-
8	2V-9025A	CONTROL VALVE MANIFOLD BLOCK (Silver, Fauver)	1	4701-4893
	2V-9025C	COIL FOR SOLENOID VALVE 2V-9025A	1	4701-4893
	2V-9024D	P.O. CHECK VALVE 30PSI (For 2V-9025A)	1	4701-4893
	2V-9030A	CONTROL VALVE MANIFOLD BLOCK (Gold, Vickers)	1	4894-5258
	2V-9035A	CONTROL VALVE MANIFOLD BLOCK (Gold, Vickers)	1	5259-7941
	2V-9045A	CONTROL VALVE MANIFOLD BLOCK (Blue, F.P.S.)	1	7942-
	2V-9045B	CHECK VALVE 35 PSI (Blue FPS)	1	7942-
	2V-9029C	COIL FOR SOLENOID VALVE 2V-9030A & 2V-9035A	1	4894-
	2V-9035B	CHECK VALVE 35 PSI (Gold Vickers, CV2-10-040-0-35)	1	4894-
	2V-9035C	CHECK VALVE 5 PSI (Gold Vickers, CV1-10-P-O-5)	1	4894-
	2V-9035D	CHECK VALVE 300 PSI (Gold Vickers, CV1-10-P-0-300)	1	4894-
	2V-9035E	SOLENOID VALVE & COIL ASS'Y (Gold Vickers)	1	5259-7941
	2V-9035F	RELIEF VALVE (RV1-10-S-0-18/8)	1	4701-
	2V-9035G	RELIEF VALVE (RV1-10-S-0-18/15)	1	4701-
	2V-9035H	PRESSURE REDUCING VALVE (PRV1-10-3-0-12/5)	1	5259-
9	2Y-87600	CYLINDER, 1-1/2" BORE, 2.44" STROKE	1	4701-
	2Y-8759K	SEAL KIT FOR (Shurlift 2Y-87590, 2Y-87600)	1	4701-
10	43-0916C	BUSHING, MODIFIED Q.D.	1	4701-
11	4F-55005	ARM, BOARD BRUSH	1	4701-
12	4F-55045	MOTOR MOUNTING BRACKET	1	4701-
13	4F-55105	SHAFT, ARM PIVOT (Sub 4F-55106)	1	4701-4861
	4F-55106	SHAFT, ARM PIVOT	1	4862-
14	4F-55140	STOP PLATE, (For Pivot Shaft, Sub 4F-55143)	1	4701-4861
	4F-55143	STOP PLATE WELDMENT (For Pivot Shaft)	1	4862-
15	4F-55250	MOUNT PAN, WELDMENT	1	4701-
16	4J-04050	ROD END, MALE, 1/2" THD.	1	4701-
17	4J-04060	ROD END, FEMALE, 1/2" THD.	1	4701-
18	5V-0500A	ADAPTER, TAPER LOCK	1	4701-
19	5V-62020	BRUSH	1	4701-
20	5V-62021	BRUSH, MOUNTING PLATE	1	4701-
21	5V-62022	BRUSH, RETAINING PLATE	1	4701-
22	7P-0401A	SWITCH (Toggle)	1	4701-5281
	7P-77350	SWITCH, ROCKER	1	5282
23	82-0400F	NAMEPLATE	1	4701-
24	8R-0500A	ROLLER, BOARD	1	4701-
25	8T-12530	RUBBER BUMPER	1	4701-
26	F1-62090	ADAPTER, STRAIGHT, 06MB, 06MJ	6	4701-
27	F1-64360	ADAPTER, STRAIGHT, 10MB, 06FPX	2	4701-
	F2-9304K	RESTRICTOR .078", 06MP, 06FPX MOTOR INLET	1	4874-4893
28	F1-67260	FITTING, 90 DEG, 06MB, 06MJ	1	4701-

**** ZAMBONI 520 ****

CONSOLIDATED PARTS LIST

Group 12.10 BOARD BRUSH



CONSOLIDATED PARTS LIST

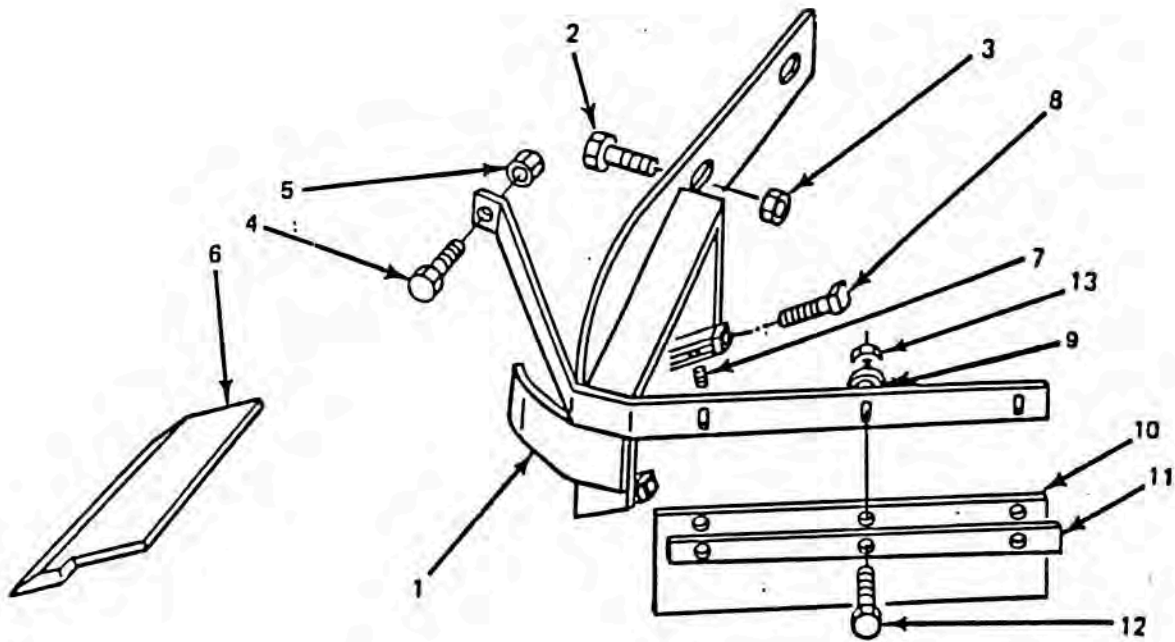
Group 12.10 BOARD BRUSH

IND	PART NO.	DESCRIPTION	QTY	S/N RANGE
29	F1-79050	TEE, HYDRAULIC, 06MB, 06MJ, 06MJ (For 2010 Pump)	1	4701-4873
	F1-79052	TEE, HYDRAULIC, 08MB, 06MJ, 06MJ (For 2020 Pump)	1	4874-
30	F2-69010	ELBOW, 90 DEG, 02MP, 02FPX	2	4701-
31	HA-04706	SCREW, RD HEAD SLOT, 10-32NF X 1/2" LG	1	4701-
32	HA-06013	SCREW, HEX HEAD, 1/4"-20NC X 1-1/4" LG	3	4701-6753
	HL-06013	SCREW, HEX HEAD, 1/4"-20NC x 1-1/4" LG G8	3	6754-
33	HA-06025	BOLT, HEX HEAD, 1/4"-20NC X 4-1/2" LG	2	4701-
34	HA-0650N	SET SCREW, SQ. HEAD, 1/4"-20NC X 3/4 LG	1	4862-
35	HA-06860	WASHER, FLAT 1/4" DIA.	2	4701-
36	HA-06862	WASHER, LOCK 1/4" DIA.	3	4701-
37	HA-06864	WASHER, STAR, 1/4" DIA.	2	4701-
38	HA-06981	NUT, LOCK, 1/4"-20NC	2	4701-
39	HA-08011	BOLT, HEX HEAD, 5/16"-18NC X 1" LG	5	4701-
40	HA-08867	WASHER, FLAT 5/16"	4	4701-
41	HA-08862	WASHER, LOCK 5/16"	3	4701-
42	HA-08981	NUT, LOCK, 5/16"-18NC	2	4701-
43	HA-10017	BOLT, HEX HEAD 3/8"-16NC X 2-1/4" LG	2	4701-
44	HA-10981	LOCKNUT, HEX HEAD 3/8"-16NC	2	4701-
45	HA-13022	BOLT, HEX HEAD, 7/16"-20NF X 3-1/2" LG	2	4701-
46	HA-13981	NUT, LOCK, 7/16"-20NF	2	4701-
47	HA-14014	BOLT, HEX HEAD, 1/2"-13NC X 1-1/2" LG	3	4701-
47A	HD-1451B	BOLT, HEX HEAD, 1/2"-13NC X 2" LG	1	4701-
48	HA-14016	BOLT, HEX HEAD, 1/2"-13NC X 2" LG	1	4701-5072
	HA-15017	BOLT, HEX HEAD, 1/2" X 20NF X 2-1/4 LG	1	5073-
49	HA-14017	BOLT, HEX HEAD, 1/2"-13NC X 2-1/4" LG	1	4701-5072
	HA-15017	BOLT, HEX HEAD, 1/2" X 20NF X 2-1/4 LG	1	5073-
52	PM-1188A	HOSE, 04, 47.0, 06FJX90S, 02MP	2	4701-
53	PM-3102A	HOSE, 06, 25.5, 06FJX90S, 06FJX	2	4701-
	F3-62080	UNION ADAPTER, 06MJ x 06MJ(Non B.B.Only Joins Hose 53&55)	1	OPT.
54	PM-3276A	HOSE, 06, 69.0, 06FJX90S, 06MP	2	4701-
55	PM-3540D	HOSE, HM, 06, 135.00, 06FJX, 06FJX	1	4701-
60	HA-14861	WASHER, FLAT, SAE 1/2" DIA	2	4701-5072
61	HA-14982	NUT, JAM, HEX HEAD, 1/2"-13NC	3	4701-
62	HA-14986	LOCKNUT, HEX, 1/2"-13NC	4,2	4701-
	HA-15981	LOCKNUT, HEX, 1/2"-20NF (Cyl. Pivot)	2	5073-
63	HA-15982	NUT, JAM, HEX HEAD, 1/2"-20NF	2	4701-
64	HD-14013	BOLT, HEX HEAD, 1/2"-13NC X 1-1/4" LG (Special)	1	4701-
65	49-00100	PLASTIC COIL SLEEVE (Motor Hose Wrap)	1	5239-
66	78-77540	DIODE ASS'Y	1	6040-

**** Z A M B O N I 520 ****

CONSOLIDATED PARTS LIST

GROUP 13.10 ZAMBONI EDGER ATTACHMENT (OPTIONAL)



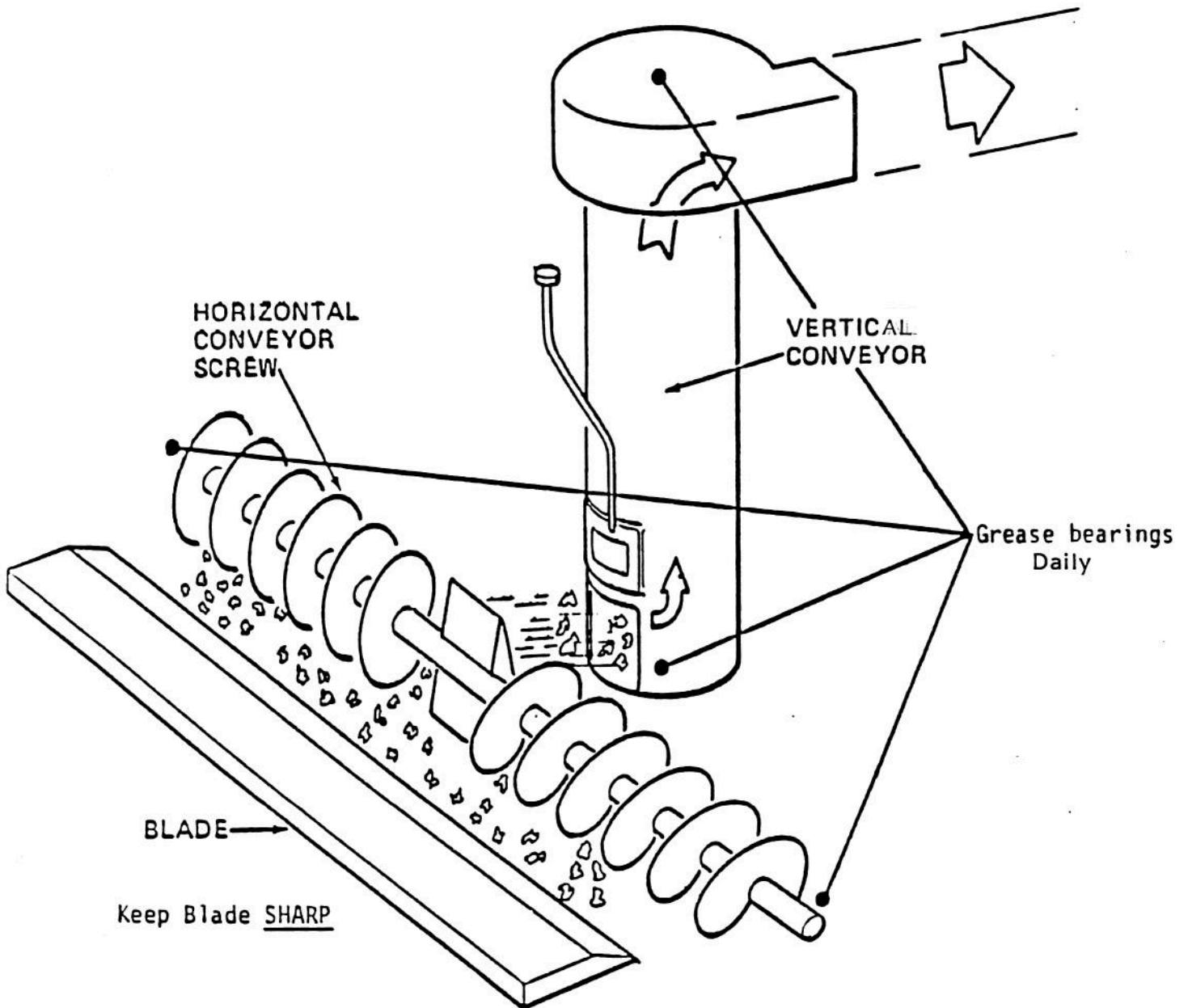
*** * Z A M B O N I 520 * ***

CONSOLIDATED PARTS LIST

Group 13.10 EDGER ATTACHMENT, BOLT ONTO CONDITIONER

IND	PART NO.	DESCRIPTION	QTY	S/N RANGE
	KZ-74820	EDGER KIT, INCLUDING ITEMS 1 THROUGH 16	1	3408-
1	5E-71200	FRAME, EDGER	1	3408-
2	HA-18016	SCREW, HEX HD, 5/8-11 x 2"	2	3408-
3	HA-18986	NUT, HEX FLEXLOCK, 5/8-11	2	3408-
4	HA-14014	SCREW, HEX HD, 1/2-13 x 1-1/2	1	3408-
5	HA-14986	NUT, HEX FLEXLOCK, 1/2-13	1	3408-
6	5E-71770	BLADE, EDGER	1	3408-
7	HD-0840F	SOCKET SET SCREW, 5/8-16 x 3/8	2	3408-
8	HD-1451F	SET SCREW, SQUARE HD, 1/2-13 x 2-1/2	2	3408-
9	HA-10860	FLAT WASHER, 3/8	3	3408-
10	5M-76500	SQUEEGEE, EDGER	1	3408-
11	1M-33780	BAR, SQUEEGEE RETAINING	1	3408-
12	HA-10014	SCREW, HEX HD, 3/8-16 x 1-1/2	3	3408-
13	HA-10981	LOCKNUT, HEX, 3/8-16	3	3408-
14	5E-71210	PLASTIC SPACER; USED ON M/C EQUIPPED WITH PLASTIC CONDITIONER RUNNER WEAR STRIP	1	OPT.
15	HA-18861	5/8 SAE FLAT WASHER	2	
16	HA-12860	7/16 FLAT WASHER	1	
17	5E-71780	KNIFE GUARD 14" LG	1	

CONVEYOR BEARINGS



- 1) Lubricate Daily
- 2) Check set screws weekly to ensure auger is firmly clamped into bearing sleeves. Augers should not move from side to side or up and down. Augers should not be noisy (metal on metal). If something has been picked up in augers immediately after freeing, check bearing set screws for tightness.
- 3) 2 set screws per bearing, 2 bearings per auger.
- 4) A 5/32 allen key is required for set screws on vertical auger.
- 5) A 1/8 or 3 mm allen key is required for set screws on horizontal auger.