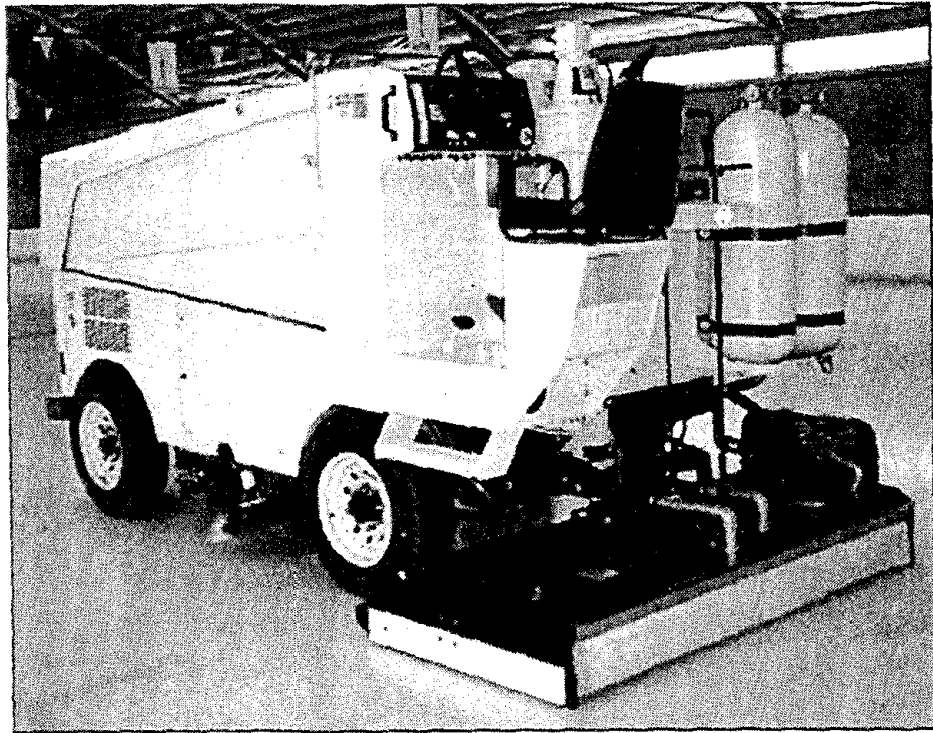


**ZAMBONI® MODEL 500
PARTS LIST**

PARTS LIST

500



ZAMBONI®

FRANK J. ZAMBONI & CO., INC.

15714 Colorado Avenue
Paramount, CA 90723 U.S.A.
Telephone: (562) 633-0751 Fax: (562) 633-9365

FRANK J. ZAMBONI & CO., LTD.

38 Morton Avenue East., P.O. Box 1388
Brantford, Ontario, N3T 5T6 Canada
Telephone: (519) 758-5000 Fax: (519) 758-0500

Important Safety Notice

Periodic and proper operation, lubrication and maintenance is important for the safety and reliability of your Zamboni machine.

Improper operation, lubrication and maintenance of this machine is dangerous and could result in injury or death.

READ AND UNDERSTAND ALL SAFETY PRECAUTIONS AND WARNINGS DESCRIBED IN THE 500 OPERATING INSTRUCTIONS AND SERVICE MANUALS BEFORE OPERATING, OR PERFORMING LUBRICATION AND MAINTENANCE ON THIS MACHINE.

These warnings in the manuals and on the machine are identified by the symbol:

DANGER !



Operations that may cause product damage are identified on the product and these publication. Zamboni cannot anticipate every possible circumstance that might involve potential hazard.

DANGER !



Do not operate or perform maintenance on this machine unless you have read and understood the instructions in the 500 Operating Instructions and Service Manuals. Improper machine operation and maintenance is dangerous and could result in injury or death. Contact Zamboni for free replacement manuals. Proper operation and maintenance is your responsibility.

For a list of the most current publication, please contact Frank J. Zamboni & Co., Inc., 15714 Colorado Avenue, Paramount, CA 90723 U.S.A., (562) 633-0751.

Model 500 Parts List

This Parts List is applicable to all Zamboni Model 500 Ice Resurfer starting with serial number 2804 and includes identification of optional equipment not present on all machines.

The right column of the Parts List indicates the serial number range of the machines for which a given part is applicable. Items which are listed without an index number are usually closely related to the preceding indexed item and in most cases identify a fastener used with that indexed item.

When ordering replacement parts, please supply the following:

- Part Number (please use the new part number if old and new are listed)
- Description
- Quantity required
- Model number and serial number of your machine
- Shipping instructions (air, surface, parcel post)

If you have any questions regarding the correct part number for your machine, please contact our customer service department by mail, phone or fax:

FRANK J. ZAMBONI CO., INC.

15714 Colorado Avenue

Paramount, CA 90723-0770

Phone: (562) 633-0751

Fax: (562) 633-9365

ZAMBONI® IS A REGISTERED TRADE MARK

PATENTS: United States Pat. Nos. 2642679, 2763939, 3044193, 3622205, 4125915, Canadian Pat. Nos. 519619, 918063, Japanese Pat. Nos. 451121, 451112, 831438, Swiss Pat. No. 319606, Great Britain Pat. No. 722880, Swedish Pat. No. 7107963-6, German Pat. No. 1096261, French Pat. No. 71.22530.

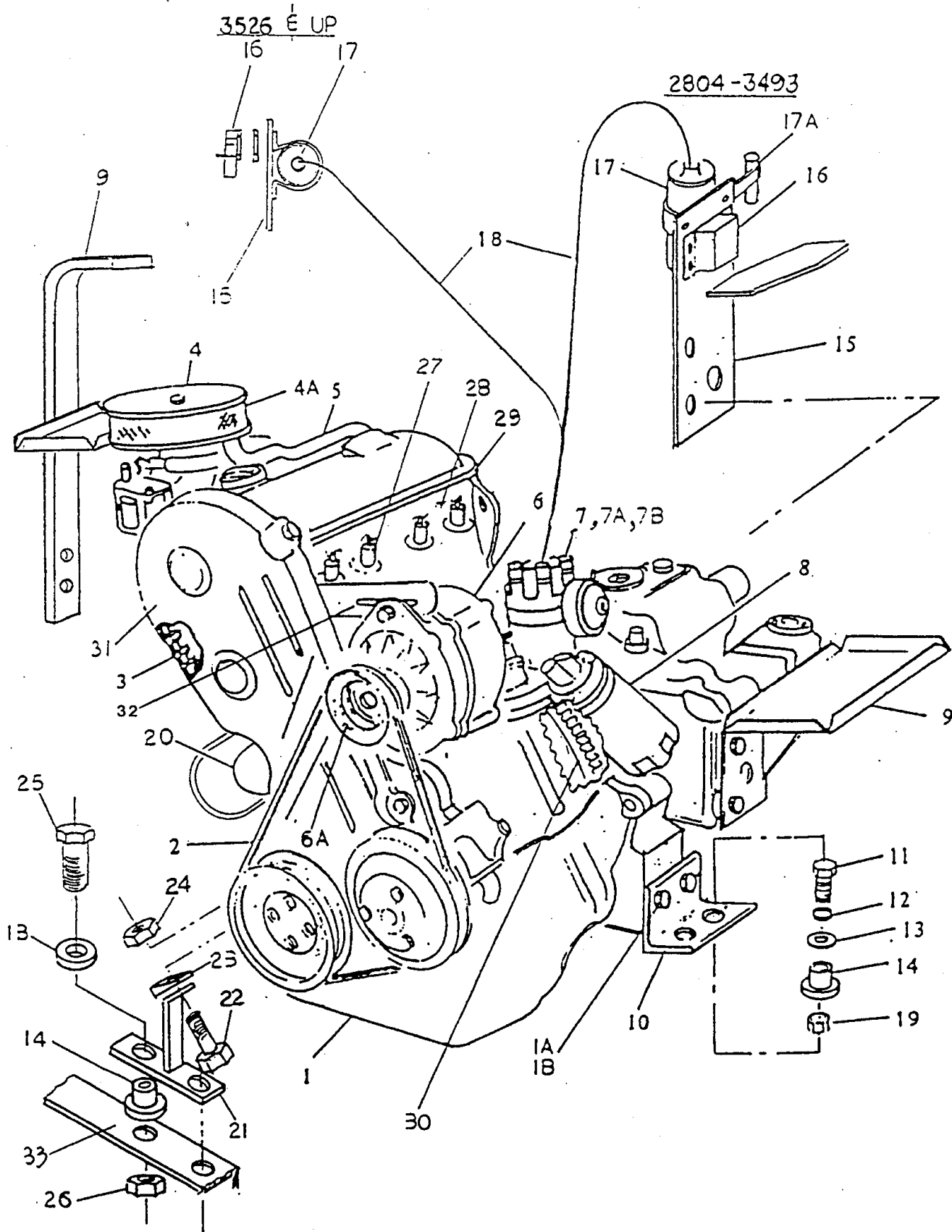
Other U.S.A. and Foreign Patents applied for.

* ZAMBONI® *
MODEL 500 PARTS LIST
CONTENTS

<u>GROUP</u>	<u>DESCRIPTION</u>
1.010	ENGINE
1.020	POWER TRANSMISSION
1.021	TRANSFER CASE
1.030	ENGINE COOLING
1.040	ENGINE EXHAUST
1.060	GASOLINE FUEL SYSTEM
1.065	LPG FUEL SYSTEM
1.070	LAMBDA FUEL MANAGEMENT SYSTEM (LPG AND CNG)
2.000	ELECTRICAL SYSTEM
3.010	AXLES, DRIVE SHAFTS, WHEELS, TIRES, SUSPENSION
3.020	FRONT AXLE
3.030	REAR AXLE
4.010	HYDROSTAT CONTROL
4.020	GOVERNOR CONTROL & GOVERNOR
4.030	STEERING & BRAKING SYSTEMS
5.010	INSTRUCTION PLATES & NAMEPLATES
5.020	BODY PANELS
6.010	VERTICAL CONVEYOR
7.010	HYDRAULIC SYSTEM
7.020	HYDRAULIC ACCESSORY PUMP & HAND PUMP
7.030	HYDRAULIC OIL TANK
7.031	IN-TANK HYDRAULIC FILTER
7.040	CONTROL VALVES
7.050	HYDRAULIC CYLINDER COMPONENTS
8.010	SNOW TANK & LID
9.010	WATER TANKS & WATER TRANSFER SYSTEM
10.010	WASH WATER TANK & OPERATOR'S AREA
11.010	CONDITIONER
11.070	CONDITIONER LIFT BAR
12.010	BOARD BRUSH
13.010	ZAMBONI EDGER ATTACHMENT

* ZAMBONI *
MODEL 500 PARTS LIST

GROUP 1.010 ENGINE



* ZAMBONI *
MODEL 500 PARTS LIST

GROUP 1.010 ENGINE

IND	NEW PART NO.	OLD P/NO	DESCRIPTION	QTY	SERIAL NO
1	KZ-1773B	1773	ENGINE, 1.6 LITER, REBUILT	1	2804-3493
1	3A-0510A		ENGINE, 1.8 LITER, MECH VALVE LIFTERS, NEW	1	3526-3727
1	3A-0511A		ENGINE, 1.8 LITER, HYD VALVE LIFTERS, NEW	1	3758-
	3A-05120		1.8 L LONG BLOCK, HYD LIFTERS	1	3526-
	84-1773B		TOOL, VALVE DISC REMOVAL, 1.6 OR 1.8 L ENG.		2804-3727
	84-1773A		TOOL, CAM FOLLOWER DEPRESSOR, 1.6 L ENG.		2804-3493
	84-0262A		TOOL, CAM FOLLOWER DEPRESSOR, 1.8 L ENG.		3526-
	KZ-1773V		KIT, VALVE ADJ DISCS, 1.6 & 1.8 L ENGINES		2804-3727
1A	HA-10013	251	SCREW, HEX HD, 3/8-16 X 1-1/4	4,6	2804-
1B	HA-10862	228	LOCKWASHER, 3/8	4,6	2804-
2	42-19560	1956	BELT, ALT & W/PUMP DRIVE	1	2804-
3	42-19530	1953	BELT, TIMING	1	2804-
3A	41-0496A		TENSIONER, 1.6 & 1.8L	1	3526-
4			SEE FUEL SYSTEM GROUP		
4A			SEE FUEL SYSTEM GROUP		
5			SEE FUEL SYSTEM GROUP		
6	3E-1958R	1958	ALTERNATOR (REBUILT)	1	2804-3493
6	3E-0510A		ALTERNATOR (REBUILT & CORE CHANGED)	1	3526-3581
6	3E-0510C		ALTERNATOR (REBUILT)	1	3658-
	KZ-0032A		BUSHING KIT		
6A	3E-0510P		PULLEY, ALTERNATOR DRIVE	1	2804-
7	3E-1961R	1961	DISTRIBUTOR (REBUILT)	1	2804-3493
7	3E-0510D		DISTRIBUTOR	1	3526-
7A		7913	ROTOR, DISTRIBUTOR, 1.6 L W/GOV	1	2804-3493
7A	3E-0510F		ROTOR, DISTRIBUTOR, 1.8 L W/GOV	1	3526-
7A	3E-0262L		ROTOR, DISTRIBUTOR, 1.6 L WITHOUT GOV	1	2804-3493
7B		7912	CAP, DISTRIBUTOR, 1.6 L ENG	1	2804-3493
7B	3E-0510H		CAP, DISTRIBUTOR, 1.8 L ENG	1	3526-
8	3R-19550	1955	OIL FILTER	1	2804-
9		1718	BATTERY TRAY	1	2804-2859
9	77-12230	1223	BATTERY TRAY	1	2860-3581
9	5T-07000		BATTERY TRAY	1	3658-
	HA-14011	338	SCREW, HEX HD, 1/2-13 X 1	2	2804-2859
	HA-12021	800	SCREW, HEX HD, 7/16-14 X 3-1/4	2	2860-
	HA-14862	223	LOCKWASHER, 1/2	2	2804-2859
	HA-12981	191	LOCKNUT, HEX, 7/16-14	2	2860-
	5T-0700B		BRACKET, BATTERY HOLD DOWN	1	7114-
10		1636	BRACKET, ENGINE MOUNT	2	2804-2858
10	3M-14140	1414	BRACKET, ENGINE MOUNT	2	2859-3493
10	3M-05000		BRACKET, ENGINE MOUNTING	2	3526-

* ZAMBONI *
MODEL 500 PARTS LIST

GROUP 1.010 ENGINE (CONT'D)

IND	NEW PART NO	OLD P/NO	DESCRIPTION	QTY	SERIAL NO
11	HA-13020		SCREW, HEX HD, 7/16-20 x 3	3,4	2804-3493
11	HA-13018		SCREW, HEX, HD, 7/16-20 X 2-1/2	1	3526-
12	HA-12862	226	LOCKWASHER, 7/16	4	2804-
13	HD-12862	7096	WASHER, SPECIAL	4,6	2804-
14	3M-17710	1771	BUSHING, ENGINE MOUNTING	4,6	2804-
15		1705	BRACKET, COIL SUPPORT	1	2804-2858
15	3M-12620	1262	BRACKET, COIL SUPPORT	1	2859-3337
15	3M-1262A		BRACKET, COIL SUPPORT	1	3338-3493
15	3M-12600		BRACKET, COIL & IGN CONTROL MOUNTING	1	3526-
16		1962	IGNITION CONTROL-NOT AVAILABLE-USE 1197		2804-2858
	3E-0510M		HEATSINK PLATE / TRANSISTOR BOX	1	
16	3E-0262B		IGNITION CONTROL MODULE	1	3526-
	3E-0510M		HEATSINK PLATE / TRANSISTOR BOX	1	3526-
17	3E-19510	1951	IGNITION COIL, 1.6 L	1	2804-3493
17	3E-0510E		IGNITION COIL, 1.8 L	1	3526-
17A	3E-19520	1952	RESISTOR, IGNITION COIL	1	2804-3493
18	75-12300	1230	CABLE ASSY, COIL/DISTRIBUTOR	1	2859-3493
18	75-12310		CABLE ASSY, COIL/DISTRIBUTOR	1	3526-
19	HA-13981	243	LOCKNUT, HEX, 7/16-20	4	2804-
	KZ-19010	1901	KIT, OIL PRESSURE SENDER (WARNING LIGHT)	1	2804-
	3C-11737		OIL PRESSURE SENDER (4 IN 1 GAUGE)	1	5343-
20	1954R	1954	STARTER MOTOR & SOLENOID (REBUILT)	1	2804-3493
20	3E-0510B		STARTER MOTOR & SOLENOID (REBUILT EXCHANGE)	1	3526-
	3E-0510J		STARTER MOTOR & SOLENOID (NEW)	1	3526-
	10-16221		BUSHING	1	3526-
	HA-08019	435	SCREW, HEX HD, 5/16-18 X 2-3/4	3	2804-2856
	HA-08981	263	LOCKNUT, HEX, 5/16-18	3	2804-2856
	HM-13138	802	SCREW, SOCKET HEAD, 8 X 1.25 X 80 MM	1	2857-
	HM-13035	805	SCREW, HEX HD, 8 X 1.25 X 65 MM	2	2857-
	HM-13981	801	LOCKNUT, 8 X 1.25 MM	3	2857-
20A	49-05002		HEAT SHIELD, STARTER MOTOR, 1.8 L, USE KZ-05010	1	4539-6562
	KZ-05010		KIT, HEAT SHIELD, STARTER MOTOR, 1.8 L	1	6643-
	KZ-0020D		KIT, HEAT SHIELD 1.6 L, USE KZ-05010	1	2804-3493
	HM-17010		SCREW, HEX HD, 10-1.5 X 16 MM	3	4539-6562
	HA-10864		WASHER, FLAT	3	4539-6562
21	1V-0501A		BRACKET, ENGINE MOUNT	1	3658-
22	HA-18015		SCREW, 5/8-11 X 1-3/4	1	3658-
23	HD-1486A		BEVEL WASHER	1	3658-

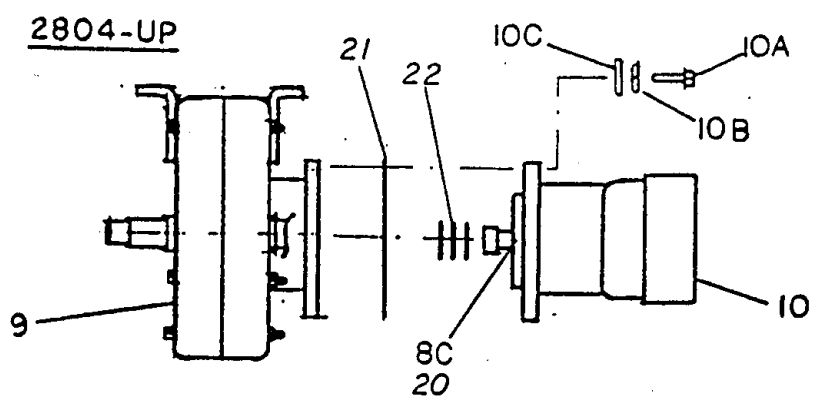
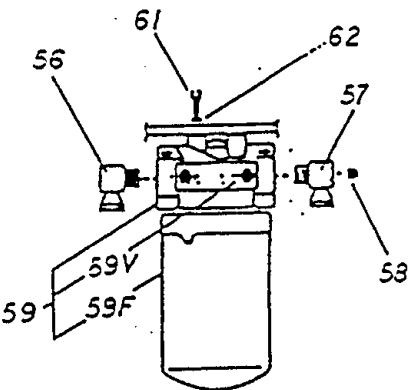
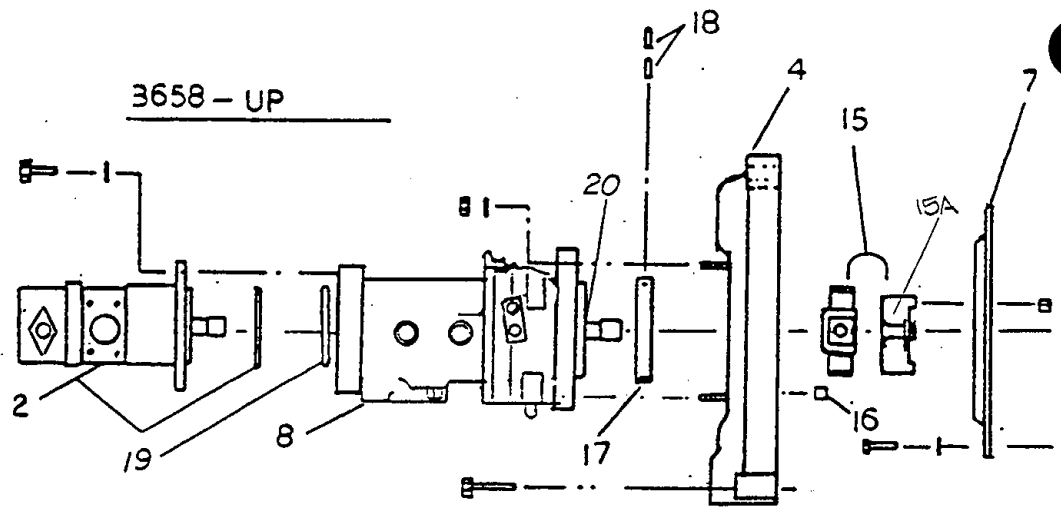
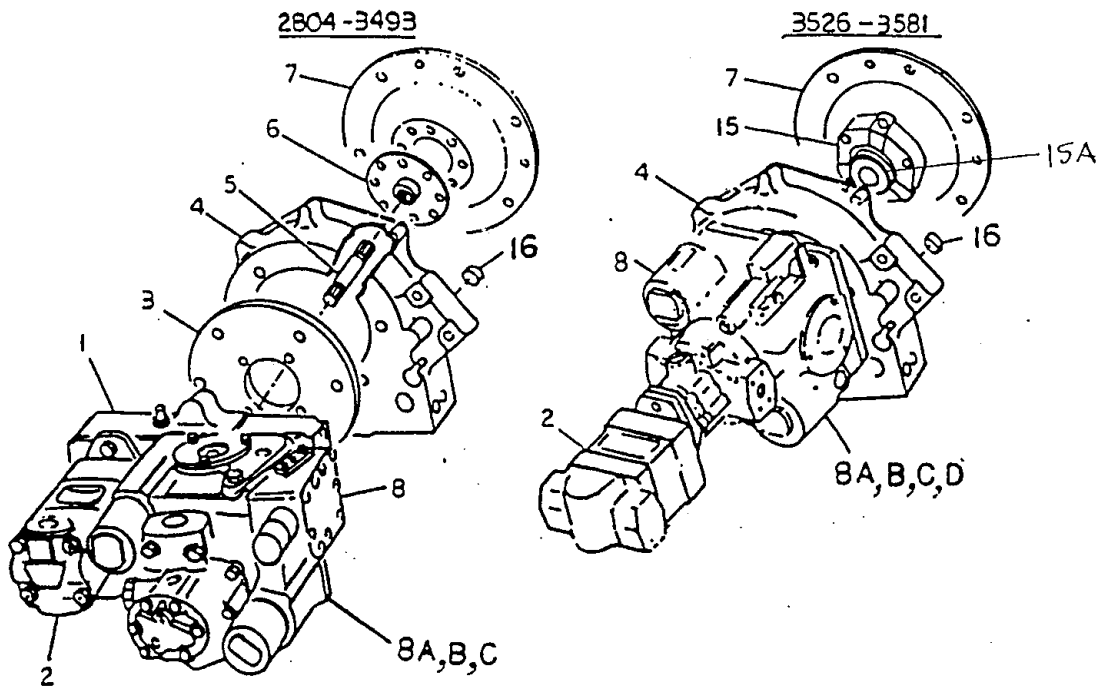
* ZAMBONI *
MODEL 500 PARTS LIST

GROUP 1.010 ENGINE (CONT'D)

IND	NEW PART NO	OLD P/NO	DESCRIPTION	QTY	SERIAL NO
24	HA-18987		LOCKNUT, 5/8-11	1	3658-
25	HA-12016		SCREW, 7/16-14 X 2	2	3658-
26	HA-12981		LOCKNUT, 7/16-14	2	3658-
27	3E-14630		SPARK PLUG, 1.6 L.	4	2804-3493
	3E-14640		POINT SET, 1.6 L		2804-3493
27	3E-0262P		SPARK PLUG, 1.8 L.	4	3526-
28	3B-1774R		CYLINDER HEAD, 1.6L	1	2804-3439
	3B-1774T		GASKET, CYLINDER HEAD, 1.6 L	1	2804-3493
28	3B-0510R		CYLINDER HEAD, 1.8 L, REBUILT, MECH LIFTERS	1	3526-3727
	KZ-0511H		KIT, CYLINDER HEAD, GASKET & BOLTS, 1.8 L HYD LIFTERS	1	3758-
	3B-0511A		GASKET, CYLINDER HEAD, 1.8 L	1	3526-
	3B-0510B		BOLT, CYLINDER HEAD, 1.8L	10	3526-
29	1461		KIT, VALVE COVER GASKET	1	2804-
30	3B-1773A		FLYWHEEL 1.6 OR 1.8	1	2804-
	KZ-14600	1460	KIT, ENGINE TUNE-UP, 1.6 L		2859-3493
	KZ-0262A		KIT, ENGINE TUNE-UP, 1.8 L		3526-
	3L-10740	1074	DIPSTICK, 1.6L	1	2804-3493
	3L-0262A		DIPSTICK, 1.8L	1	3526-
	3L-0262B		TUBE, DIPSTICK, 1.8L	1	3526-
	3L-0262C		GUIDE, DIPSTICK, 1.8L	1	3526-
	2D-10750	1074	GASKET, OIL PAN	1	2804-
	3L-0496A		OIL PAN		
	3L-0496B		WASHER, SEALING, OIL PAN PLUG	1	2804-
	DM-1773B		SERVICE MANUAL, VW 1.6 OR 1.8 LITER ENGINE	1	2804-
31	KZ-05015		KIT, TIMING BELT COVER, UPPER & LOWER, 1.8L	1	3526-
	3B-0512A		TIMING BELT COVER, UPPER	1	3526-
	3B-0512B		TIMING BELT COVER, LOWER	1	3526-
	3B-0512C		STUD	1	3526-
	3B-0512D		SHOULDER NUT	1	3526-
32	3E-1958A		ALTERNATOR ARM, ADJUSTING	1	3526-
33	1V-0511A		BRACKET	1	2804-

* ZAMBONI *
MODEL 500 PARTS LIST

GROUP 1.020 POWER TRANSMISSION



* ZAMBONI *
MODEL 500 PARTS LIST

GROUP 1.020 POWER TRANSMISSION

IND	NEW PART NO	OLD P/NO	DESCRIPTION	QTY	SERIAL NO
1	2J-17740	1774	GEAR BOX, DOUBLE PUMP DRIVE, HUB CITY	1	2804-2856
	KZ-0114A		REBUILT KIT, GEAR BOX, DOUBLE PUMP DRIVE	1	2804-2856
1	2J-14420	1442	GEAR BOX, DOUBLE PUMP DRIVE, FUNK	1	2857-3493
	HA-10013	251	SCREW, HEX HD, 3/8-16 X 1-1/4	4	2804-2856
	HA-10862	228	LOCKWASHER, 3/8	4	2804-2856
	HA-14014	218	SCREW, HEX HD, 1/2-13 X 1-1/2	4	2857-3493
	HA-14862	223	LOCKWASHER, 1/2	4	2857-3493
	19-79610	7961	SPLINE ADAPTER, ACCESSORY PUMP	1	2804-3493
2			PUMP, ACCESSORY, SEE GROUP 7.020	1	3526-
3		1753	PLATE, GEAR BOX ADAPTER	1	2804-2856
	HA-12013	277	SCREW, HEX HD, 7/16-14 X 1-1/4	6	2804-2856
	HA-12862	226	LOCKWASHER, 7/16	6	2804-2856
	KZ-16020		PLATE & SHAFT, GEAR BOX	1	2804-2856
4	2J-13990	1399	HOUSING, FLYWHEEL	1	2804-3493
4	2J-0510C		HOUSING & STUD ASSY, FLYWHEEL	1	3526-3581
4	2J-0510F		HOUSING & STUD ASSY, FLYWHEEL	1	3658-4178
4	2J-0511A		HOUSING & STUD ASSY, FLYWHEEL	1	4363-
	HM-19039	776	SCREW, HEX HD, 12 X 1.75 X 90 MM	1	2804-2856
	HM-19040	807	SCREW, HEX HD, 12 X 1.75 X 100 MM	1	2857-3727
	HM-19140		SCREW, HEX SKT, 12 X 1.75 X 100 MM	1	3758-
	HM-19981	777	NUT, HEX, 12 X 1.75 MM	1	2804-
	HM-19035	778	SCREW, SKT HD, 12 X 1.75 X 65 MM	3,4	2804-
	HM-19037	804	SCREW, HEX, HD, 12 X 1.75 X 70 MM	1	2857-3727
	HM-19137		SCREW, HEX SKT, 12 X 1.75 X 70 MM	1	3758-
	HM-19862	779	WASHER, SPRING LOCK, 12 MM	4	2857-3727
	HM-19861		LOCKWASHER, 12.2 MM ID X 18 MM OD	5	3758-
5		1770	SHAFT, GEAR BOX DRIVE	1	2804-2856
5	19-13970	1397	SHAFT, GEAR BOX DRIVE	1	2857-3493
6		1602	HUB, DRIVE PLATE	1	2804-2856
	HM-09009	780	SCREW, HEX HD, 6 X 1.0 X 16 MM	8	2804-2856
		781	NUT, HEX NYLOCK	8	2804-2856
7		1603	PLATE, GEAR BOX DRIVE	1	2804-2856
7	2K-13980		INACTIVE DRIVE PLATE, USE KZ-13980	1	2857-3493
7	KZ-13980	1398	PLATE & HUB KIT, GEAR BOX DRIVE	1	2857-3493
	2A-05897		HUB, 10 TEETH, DRIVE PLATE (IF EQUIPPED W/2J-0510G)	1	2857-3493

* ZAMBONI *
MODEL 500 PARTS LIST

GROUP 1.020 POWER TRANSMISSION (CONT'D)

IND	NEW PART NO	OLD P/NO	DESCRIPTION	QTY	SERIAL NO
7	2J-0510A		INACTIVE DRIVE PLATE, USE KZ-0510H/KZ-0510G	1	3526-5558
7	KZ-0510H		KIT, PUMP DRIVE REPLACEMENT	1	3526-3581
7	KZ-0510G		KIT, PUMP DRIVE REPLACEMENT	1	3658-5558
7	2J-0510G		PLATE, PUMP DRIVE	1	5559-
	HM-13011	806	SCREW, HEX HD, 8 X 1.25 X 20 MM	6	2857-
	HM-13862	803	WASHER, SPRING LOCK, 8 MM	6	2857-
8	2P-78370	7837	PUMP, HYDROSTATIC (SUNDSTRAND)	1	2804-3337
	9408		CONTROL VALVE, SUNDSTRAND PUMP	1	2804-3337
	7949		REPAIR KIT FOR SUNDSTRAND CNTRL VLV	1	2804-3337
	7699		SEAL KIT, SUNDSTRAND PUMP SHAFT	1	2804-3337
8	2P-60000		PUMP, HYDROSTATIC (EATON) (SEE NEXT PAGE FOR REPAIR KITS)	1	3338-3493
8	2P-05110		PUMP, HYDROSTATIC (EATON)	1	3526-3581
8	2P-0586R		PUMP, HYDROSTATIC (SUNDSTRAND)	1	3658-
	2D-78980	7898	GASKET, PUMP/GEARBOX	1	2804-3493
	HD-16862	7597	FLAT WASHER, SPECIAL	4	2804-3493
	KZ-0586P		KIT, SEAL, F/R SPOOL	1	3658-
	HA-14862	223	LOCKWASHER, 1/2	2,4	2804-
	HA-14860		FLATWASHER, 1/2	4	3526-3581
	HA-15980		NUT, HEX, 1/2-20	2,4	3526-
8A	KZ-0512B		KIT, CNTRL VALVE & GASKET, EATON PUMP	1	3338-3581
	KZ-0512C		REPAIR KIT, EATON PUMP CNTRL VALVE	1	3338-3581
	2P-0511C		SHAFT ASSY, EATON PUMP CNTRL VALVE	1	3338-3581
8B	2D-0511B		GASKET, CHARGE PUMP, EATON	1	3338-3581
8C	KZ-0512A		SEAL KIT, PUMP OR MOTOR SHAFT, EATON	1	3338-3581
8D	2D-05110		GASKET, B PAD	1	3526-3581
9			TRANSFER CASE-SEE GROUP 1.021		
10	2M-78390	7839	MOTOR, HYDROSTATIC (SUNDSTRAND)	1	2804-3337
	7697		SEAL KIT, SUNDSTRAND MOTOR SHAFT	1	2804-3337
10	2M-80000		MOTOR, HYDROSTATIC (EATON)	1	3338-3581
10	2M-0586R		MOTOR, HYDROSTATIC (SUNDSTRAND)	1	3658-
10A	HA-16016	315	SCREW, HEX HD, 9/16-12 X 2	4	2804-3337
10A	HA-16014		SCREW, HEX HD, 9/16-12 X 1-1/2	4	3338-3581
10A	HA-15014		SCREW, HEX HD, 1/2-20 X 1-1/2	2	3658-
10B	HD-16862	7597	FLAT WASHER, SPECIAL	4	2804-3337

* ZAMBONI *
MODEL 500 PARTS LIST

GROUP 1.020 POWER TRANSMISSION (CONT'D)

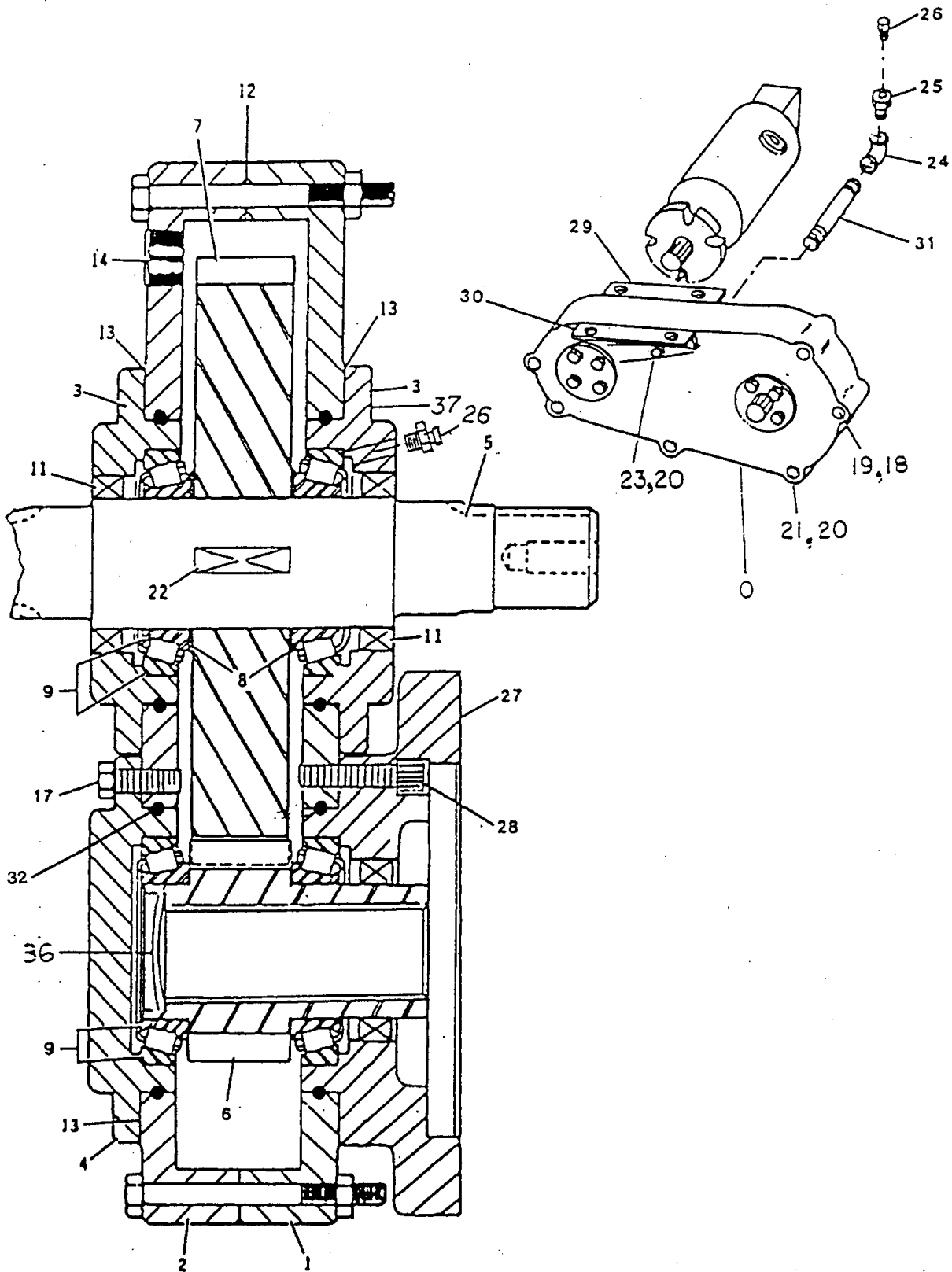
IND	NEW PART NO	OLD P/NO	DESCRIPTION	QTY	SERIAL NO
10B	HA-14862		LOCKWASHER, 1/2	2	3658-
10C	HA-16862	358	LOCKWASHER, 9/16	4	2804-3581
10C	HA-14860		FLATWASHER, 1/2	2	3658-
15	2A-0500A		COUPLING, SHAFT	1	3526-3581
15A	2A-05896		HUB, 14 TEETH, DRIVE PLATE (IF EQUIPPED W/2J-0510G)	1	3526-3581
15	KZ-05890		COUPLING, SHAFT	1	3658-4178
15	2A-05890		COUPLING, SHAFT	1	4363-5558
15A	2A-05895		HUB, 15 TEETH, DRIVE PLATE	1	3658-
16	10-16220	1622	BUSHING, STARTER SHAFT	1	2804-2856
16	10-16221		BUSHING, STARTER SHAFT	1	2857-
17	13-05300		SPACER, PUMP PILOT	1	3658-4178
18	HD-0440D		SET SCREW, HEX SOCKET, 10-32	4	3658-4178
19	2P-05867		SEAL RING, B-PAD	1	3964-
20	2P-05863		SHAFT SEAL KIT, PUMP OR MOTOR	AR	3658-
21	2D-05110		GASKET, B PAD	1	4102-
22	2E-0210B		O-RING	3	2804-4178

CHARGE LOOP FILTER

6	F1-69110		90 ELBOW, 12MB, 08FS	1	3658-
57	F1-7369A		90 ELBOW	1	3658-
58	FD-18060		PLUG,04MP	1	3658-
59	3R-07000		ASSY, MANIFOLD & FILTER ELEMENT	1	3658-
59F	3R-07001		FILTER ELEMENT (INCL WITH 59)	1	3658-
59V	3R-07002		FILTER INDICATOR (INCL WITH 59)	1	3658-4623
	3R-07003		FILTER HEAD ASSY (INCL WITH 59)	1	4732-
60	F1-64560		ADAPTER, 08MB, 08FP	1	3658-3727
61	HA-10011		SCREW, HEX HD, 3/8-16 X 1	3	3658-
62	HA-10862		LOCKWASHER, 3/8	3	3658-

* ZAMBONI *
MODEL 500 PARTS LIST

GROUP 1.021 TRANSFER CASE



* ZAMBONI *
MODEL 500 PARTS LIST

GROUP 1.021 TRANSFER CASE

IND	NEW PART NO	OLD P/NO	DESCRIPTION	QTY	SERIAL NO
0	2J-16660	1666	GEAR BOX, TRANSFER CASE, 3-1 RATIO	1	2804-3337
0	2J-0500A		GEAR BOX, TRANSFER CASE, 4-1 RATIO, C4 FLANGE	1	3338-3581
0	2J-05890		GEAR BOX, TRANSFER CASE, 4-1 RATIO, B2 FLANGE	1	3658-4178
0	2J-05890		GEAR BOX, 4-1, B2 FLG. W/SPLINE LUBE DUCTING	1	4363-
1			HOUSING HALF, MOTOR SIDE, NOT SERVICED		
2			HOUSING HALF, CLOSED SIDE, NOT SERVICED		
3	2J-7513C		CAP, OPEN END	2	2804-4178
3	2J-7513C		CAP, OPEN END	1	4363-
4			CAP, CLOSED END, NOT SERVICED		
5	2J-7513D		SHAFT, OUTPUT	1	2804-
6	2J-1666C		INPUT GEAR, NOT SERVICED	1	2804-3337
	2J-0500C		INPUT GEAR, NOT AVAILABLE	1	3338-3581
	KZ-0586C		KIT, OLD STYLE PINION REPLACEMENT		3658-4178
	KZ-0586D		KIT, NEW STYLE PINION REPLACEMENT		3658-4178
7	2J-16660		OUTPUT GEAR, INACTIVE	1	2804-3337
	2J-0500E		OUTPUT GEAR, INACTIVE, USE 2J-0500A	1	3338-3581
8	2J-7513H		SPACER (ALSO INCL IN ITEM 35)	2	2804-
9	BO-5186W	9523	BEARING SET, CUP & CONE	4	2804-
11	2F-93200	9320	OIL SEAL (ALSO INCL IN ITEM 35)	3	2804-
12	2J-7513A		GASKET, CASE, USE 2J-7513J & 2J-7513K	1	2804-
13	2J-7513J		GASKET/SHIM, END CAP	AR	2804-
	2J-7513K		GASKET/SHIM, END CAP	AR	2804-
14	FL-18160		PLUG, 1/2 NPT	2	2804-
17	HA-10011		SCREW, HEX HD, 3/8-16 X 1	12	2804-
18	HA-10981		LOCKNUT, HEX, 3/8-16	2	2804-
19	HA-10021		SCREW, HEX CAP, 3/8-16 X 3-1/4	2	2804-
20	HA-08981		LOCKNUT, HEX, 5/16-18	8	2804-
21	HA-08021		SCREW, HEX HD, 5/16-18 X 3-1/4	5	2804-
22	15-54114		KEY	1	2804-
23	HA-08023		SCREW, HEX HD, 5/16-18 X 3-3/4	3	2804-
24	FD-02160	515	ELBOW, 90 DEG, 1/3 NPT	1	2804-4178
25	FD-15050		REDUCING BUSHING, 1/2 X 1/8 NPT	1	2804-4178
26	3R-06000	600	VENT PLUG. 1/8 NPT	1	2804-
27	2J-1666H		FLANGE, MOTOR ADAPTING	1	2804-3581
27	2J-0586H		FLANGE, MOTOR ADAPTING	1	3658-4178
27	2J-0589H		FLANGE, B2 WITH LUBE DUCT	1	4363-
28	HA-10114		SCREW, SOCKET HD CAP, 3/8-16 X 1-1/2	4	2804-3581
28	HA-10111		SCREW, SOCKET HD CAP, 3/8-16 X 1	4	3658-
29			MOUNTING BRKT, MOTOR SIDE (NOT SERVICED)		
30			MOUNTING BRKT, CLOSED SIDE (NOT SERVICED)		

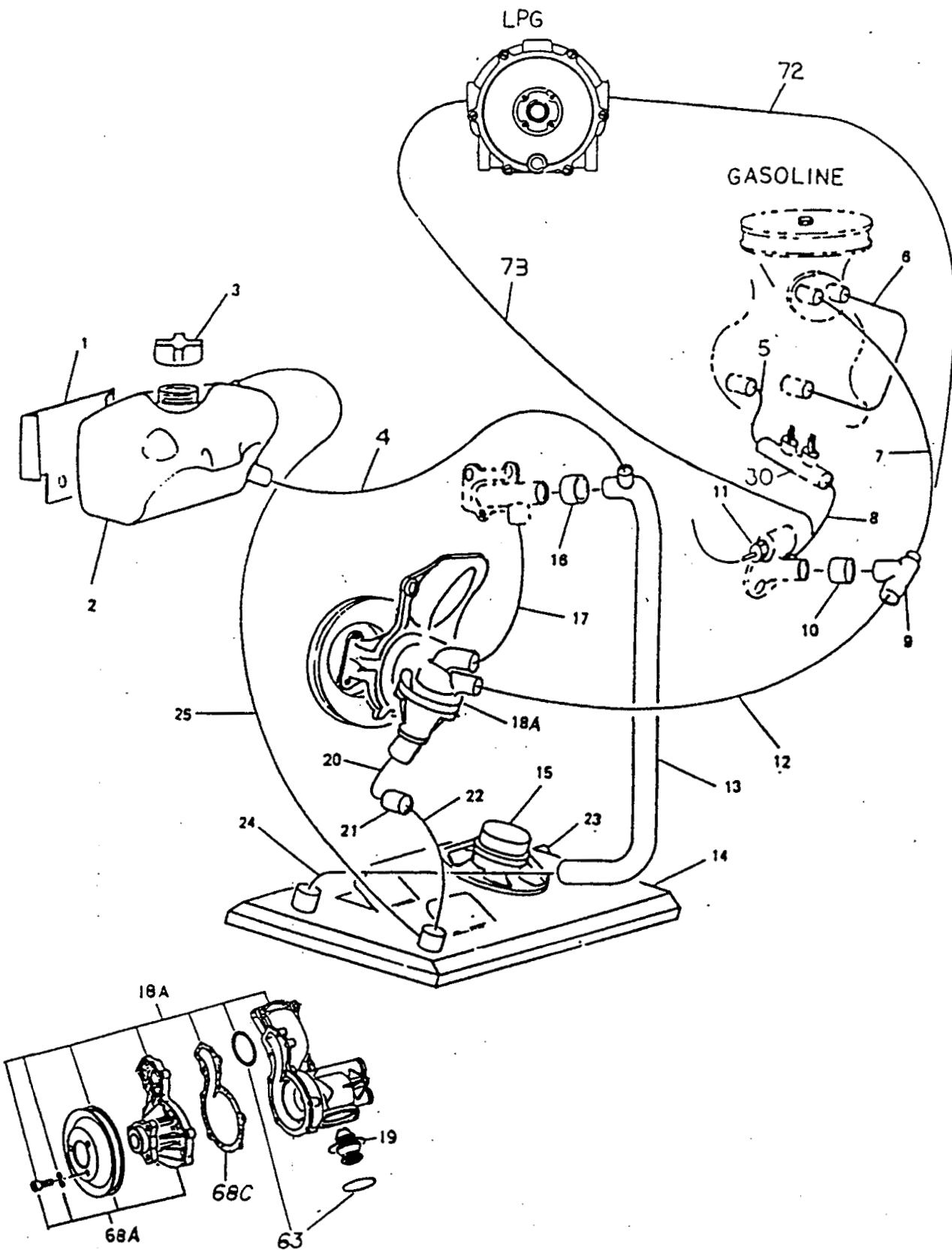
* ZAMBONI *
MODEL 500 PARTS LIST

GROUP 1.021 TRANSFER CASE (CONT'D)

IND	NEW PART NO	OLD P/NO	DESCRIPTION	QTY	SERIAL NO
31	FD-0117B		NIPPLE, 1/2 NPT X 7	1	2804-4178
32	2E-0044B		O-RING	4	4363-
35	KZ-75130		KIT, INCLUDES ITEMS 8,11,12,13 ALSO INCLUDES DK-75130, INSTRUCTIONS FOR SETTING BEARING END PLAY	1	2804-
36	2J-1666K		PLUG, EXPANSION	1	2804-
37	2J-0589C		BEARING CAP WITH VENT SOCKET	1	4363-
N/S	2D-05110		GASKET, TRANSFER CASE TO HYDROSTATIC MOTOR	1	4102-

* ZAMBONI *
MODEL 500 PARTS LIST

GROUP 1.030 ENGINE COOLING SERIAL NUMBER 2804-3056



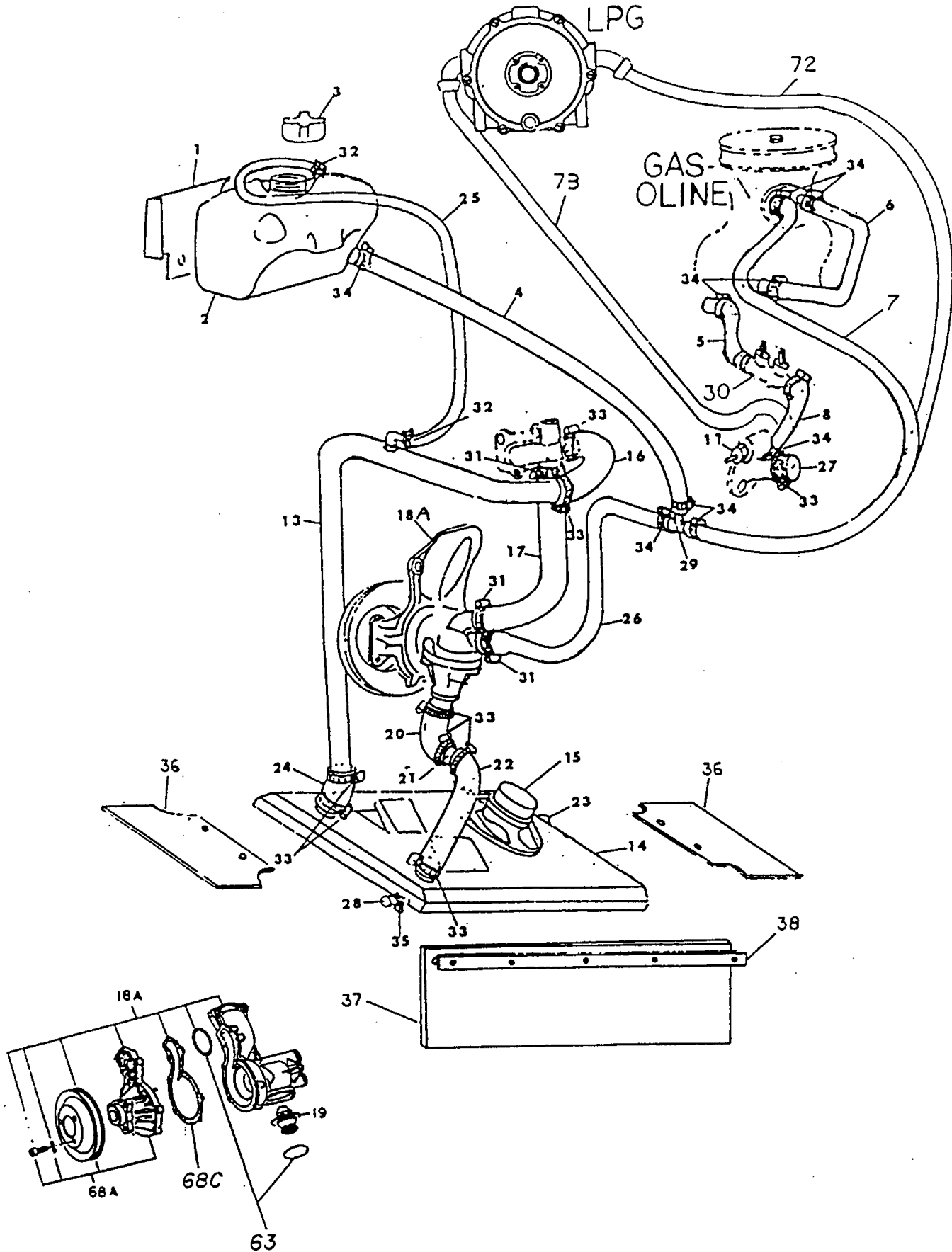
* ZAMBONI *
MODEL 500 PARTS LIST

GROUP 1.030 ENGINE COOLING SYSTEM

IND	NEW PART NO	OLD P/NO	DESCRIPTION	QTY	SERIAL NO
1	3C-18780	1878	BRACKET, EXPANSION TANK	1	2804-
	HA-08009	273	SCREW, HEX HD, 5/16-18 X 3/4	2	2804-
	HA-08981	263	LOCKNUT, HEX 5/16-18	2	2804
2	3C-19300	1930	KIT, EXPANSION TANK & MOUNTING BRKT	1	2804-3493
2	3C-1930A		EXPANSION TANK	1	3526-
3	7D-19310	1931	CAP, EXPANSION TANK	1	2804-
4	RH-3100A		HOSE, 5/8 X 25	1	2804-3493
5	26-19490	1947	HOSE	1	2804-3493
6	26-19480	1948	HOSE	1	2804-3493
7	26-1919A	1919	HOSE	1	2804-3056
7	26-19190		HOSE	1	3057-3493
8	26-19490	1949	HOSE	1	2804-3493
9	FR-0803P	1924	TEE, COPPER, 3/4 X 1/2 X 3/4	1	2804-3056
10	RE-3008A	1926	HOSE, 7/8 X 2	1	2804-3056
11	3C-18030	1803	SENDING UNIT, WATER TEMP, 1.6 L	1	2804-2959
11	3C-11720	1172	SENDING UNIT, WATER TEMP	1	2960-4595
11	3C-1806B		SWITCH, TEMP, BROWN, COOLANT	1	4546-
	2E-07020		SEAL, SENSOR	1	4546-
12	RE-3104A	1925	HOSE 7/8 X 26	1	2804-3056
13	3C-18400	1840	TUBE, RADIATOR/ENGINE	1	2804-3056
13	3C-18440		TUBE, RADIATOR/ENGINE	1	3057-3493
14	3A-1773B	1927	ASSY, RADIATOR & FAN	1	2804-3493
	HA-06009	221	SCREW, HEX HD, 1/4-20 X 3/4	4	2804-3493
	HA-06860	141	FLATWASHER, 1/4	4	2804-3493
	HA-06981	210	LOCKNUT, HEX, 1/4-20	4	2804-3493
	3C-12650	1265	RADIATOR, WITHOUT FAN	1	2804-3493
15	3C-19280	1928	ASSY, FAN MOTOR & BLADE, GASOLINE FUEL	1	2804-3493
15	3C-19280	1928	ASSY, FAN MOTOR & BLADE, LPG FUEL	1	2804-3339
15	KZ-05257		ASSY, FAN MOTOR & BLADE, LPG FUEL	1	3340-3493
16	26-1922A	1922	HOSE	1	2804-3056
16	26-1921A	1921	HOSE	1	3057-3493
17	26-19320	1932	HOSE	1	2804-3493
18A	3C-1950A	1950	WATER PUMP WITH PULLEY, 1.6 OR 1.8 L ENGINE	1	2804-
18B	3C-0510P		WATER PUMP WITHOUT PULLEY, 1.8 L ENG ONLY	1	3526-
19	3C-19351		THERMOSTAT	1	2804-
20	26-1921A	1921	HOSE	1	2804-3056
20	26-1923B		HOSE	1	3057-3493
21	59-6016A	1933	TUBE, 1-5/16 O.D. X 2 LONG	1	2804-3493
22	26-1920A	1920	HOSE	1	2804-3493
23	3C-19290	1929	SWITCH, RADIATOR FAN, 92/97 DEG	1	2804-3493
23	3C-19292		SWITCH, RADIATOR FAN, 92/97 DEG	1	3526-3727
23	3C-19294		SWITCH & WASHER, RADIATOR FAN, 85/80 DEG	1	3758-
24	26-1923A	1923	HOSE	1	2804-3056
24	26-1922B		HOSE	1	3057-3493
25	26-19170	1917	HOSE, 6MM X 41 INCHES	1	2804-3056
25	26-1917A		HOSE, 6 MM X 32 INCHES	1	3057-3493
26	26-1934B		HOSE	1	3057-3493

* ZAMBONI *
MODEL 500 PARTS LIST

GROUP 1.030 ENGINE COOLING SERIAL NUMBER 3057-3493



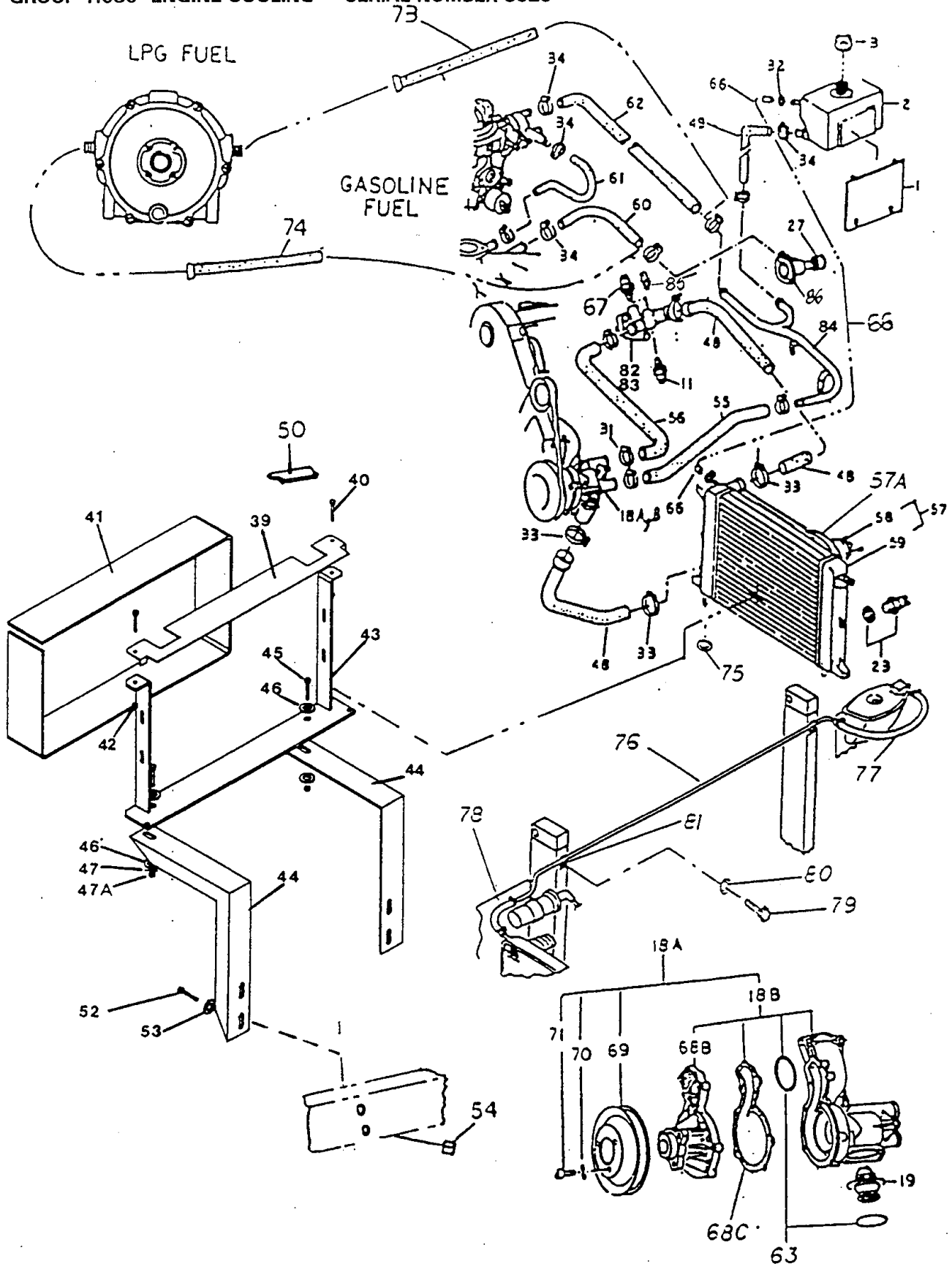
* ZAMBONI *
MODEL 500 PARTS LIST

GROUP 1.030 ENGINE COOLING SYSTEM (CONT'D)

IND	NEW PART NO	OLD P/NO	DESCRIPTION	QTY	SERIAL NO
27	7D-09980		CAP, RUBBER, 26 MM	1	3057-
28	7D-09990		CAP, RUBBER, 9 MM	1	3057-3493
29	FW-41283		TEE, 5/8 HOSE	1	3057-3493
30	3F-0496A		SWITCH, CARB HEAT CNTRL, 1.6 L ENG	1	2804-3493
31	27-2016A	703	CLAMP, HOSE, 3/4 TO 1-1/2	AR	2804-
32	27-2001A	7629	CLAMP, HOSE, 7/32 TO 5/8	AR	2804-
33	27-2020A	791	CLAMP, HOSE, 3/4 TO 1-3/4	AR	2804-
34	27-2010A	792	CLAMP, HOSE, 1/2 TO 1-1/8	AR	2804-
35	27-2001A		CLAMP, HOSE, 3/8-7/8	AR	3057-3493
36	49-0500A		FLAP, COOLING AIR DEFLECTOR	2	3243-3493
	HM-09007		SCREW, HEX HD, 6-1.00 X 12 MM	4	2804-3493
	HD-05862		FLATWASHER	4	2804-3493
37	49-0510A		FLAP, INTAKE AIR DEFLECTOR	1	3243-3493
	HA-08009		SCREW, HEX HD, 5/16-18 X 3/4	5	2804-3493
38	1M-0500A		STRAP, DEFLECTOR RETAINING	1	3243-3493
	KZ-0105A		KIT, COOLING AIR DEFLECTORS		2804-3493
	KZ-0105B		KIT, INTAKE AIR DEFLECTORS		3218-3493
	KZ-0012A		KIT, BOLT-ON BRACKET, TO PERMIT USE OF KIT KZ-0105B ON S/N RANGE 2804-3217		2804-3217
39	3C-05260		TOP PLATE, RADIATOR BRACKET	1	3526-
40	HA-06011		SCREW, HEX HD, 1/4-20 X 1	2	3526-
41	2F-19740		SEAL, RADIATOR	1	3526-
42	HA-06981		LOCKNUT, 1/4-20	2	3526-
43	3C-05270		BRACKET, RADIATOR	1	3526-
44	3C-05031		RADIATOR MTG BRKT, REAR SIDE	2	3526-4623
44A	3C-05041		RADIATOR MTG BRKT, REAR SIDE	1	4732-
44	3C-05032		RADIATOR MTG BRKT, FRONT SIDE	1	356-4623
44B	3C-05042		RADIATOR MTG BRKT, FRONT SIDE	1	4732-
45	HA-10013		SCREW, HEX HD, 3/8-16 X 1	4	3526-4623
45	HA-14014		SCREW, HEX HD, 1/2-13X1-1/2	2	4732-
46	HA-10860		FLAT WASHER, 3/8	8	3526-4623
46	HA-14860		FLAT WASHER, 1/2	4	4732-
47	HA-10981		LOCKNUT, 3/8-16	4	3526-4623
47	HA-14980		NUT, 1/2	2	4732-
47A	HA-14986		LOCK WASHER, 1/2	2	4732-
48	26-0525A		HOSE, RADIATOR	2	3526-
49	RH-3140A		HOSE, EXPANSION TANK TO WTR PUMP RETURN TUBE	1	3526-
50	81-21100		DECAL, CAUTION, FAN START	1	3526-
52	HA-13020		SCREW, HEX HD, 7/16-20 X 3	4	3526-
53	HA-12860		FLATWASHER, 7/16	4	3526-
54	HA-13981		LOCKNUT, 7/16	4	3526-
55	26-0262B		HOSE, WATER PUMP RETURN	1	3526-
56	26-0262A		HOSE, WATER PUMP BYPASS	1	3526-
57	KZ-0525B		ASSEMBLY, RADIATOR, FAN & SHROUD	1	3526-4033
57	3C-0525A		ASSEMBLY, RADIATOR, FAN & SHROUD	1	4102-4545

* ZAMBONI *
MODEL 500 PARTS LIST

GROUP 1.030 ENGINE COOLING SERIAL NUMBER 3526-



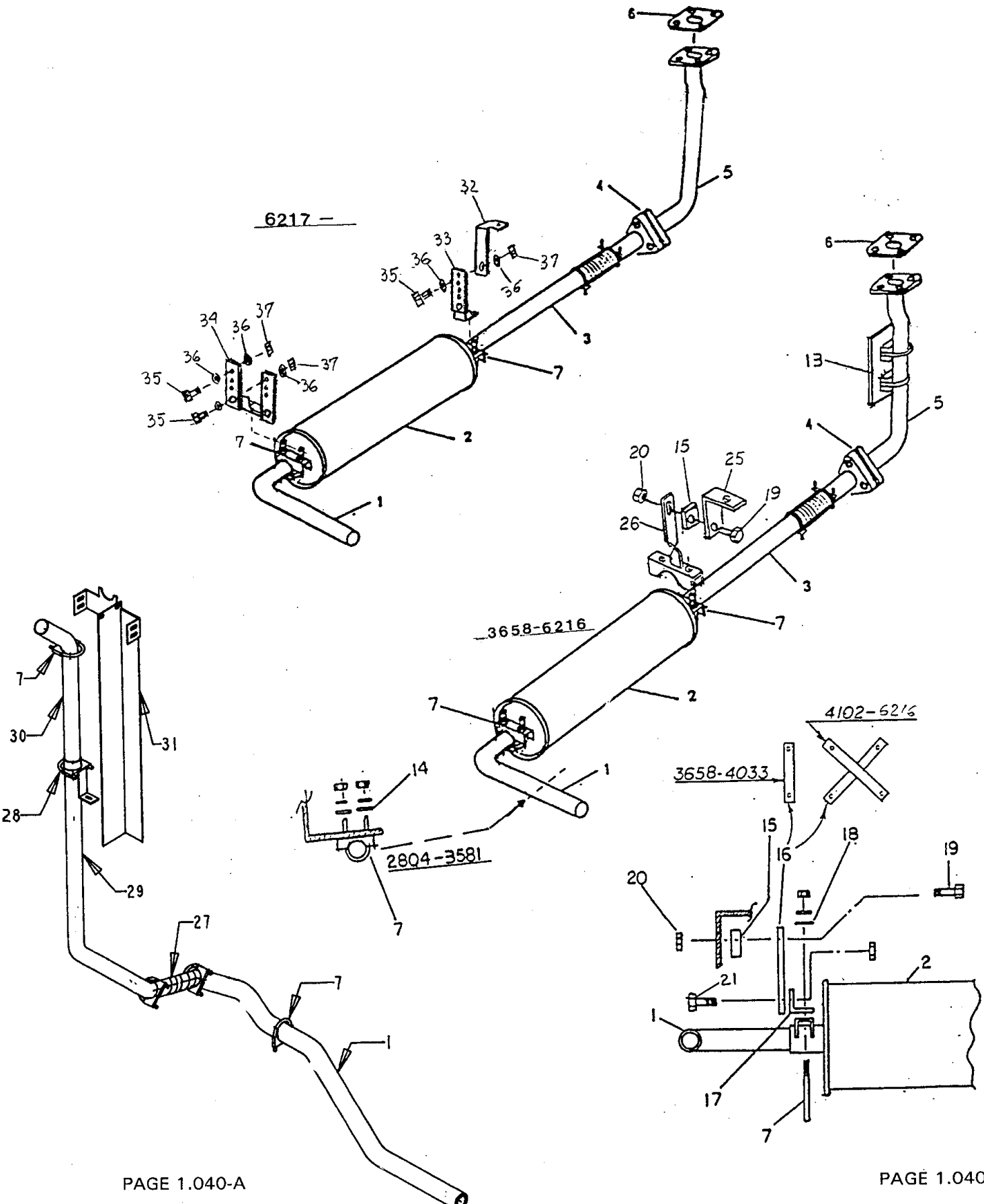
* ZAMBONI •
MODEL 500 PARTS LIST

GROUP 1.030 ENGINE COOLING SYSTEM (CONT'D)

IND	NEW PART NO	OLD P/NO	DESCRIPTION	QTY	SERIAL NO
57	KZ-0525B		ASSEMBLY, RADIATOR, FAN & SHROUD	1	4546-
57A	3C-05256		RADIATOR SHROUD	1	3526-
58	2L-0011B		FAN MOTOR AND BLADE, GASOLINE OR LPG FUEL	1	3526-4033
58	3C-05255		FAN MOTOR & BLADE GASOLINE OR LPG FUEL	1	4102-4545
58	3C-05257		FAN MOTOR & BLADE GASOLINE OR LPG FUEL	1	4546-
	KZ-05257		KIT, FAN MOTOR AND LOOM	1	4102-
59	3C-05251		RADIATOR CORE	1	3526-
60	26-0262D		HOSE, INTAKE MANIFOLD INLET	1	3526-
61	26-0262C		HOSE, CHOKE INLET	1	3526-
62	26-0262E		HOSE, CHOKE OUTLET	1	3526-
63	2E-0225B		O-RING, WATER PUMP	2	2804-
66	P6-2324A		HOSE, 5/16 X 81, EXPANSION TANK TO RADIATOR	1	3526-3727
66A	KZ-0011F		KIT, EXPANSION TANK TUBE, 1.8 L	1	3526-3727
67	3F-0262A		SWITCH, CARBURETOR THERMAL CONTROL	1	3526-4545
67	3C-1806A		SWITCH, CARBURETOR THERMAL CONTROL	1	4546-
	2E-07020		SEAL, SENSOR	1	4546-
68A	3C-20190	2019	IMPELLER WITH PULLEY, 1.6 OR 1.8 L ENG	1	2804-
68B	3C-20191		IMPELLER WITHOUT PULLEY, 1.8 L ENG ONLY	1	3526-
68C	3C-20192		GASKET, WATER PUMP IMPELLER	1	2804-
69	3C-19501		PULLEY, 1.8 L ENGINE ONLY	1	3526-
70	HM-13862		WASHER, WTR PUMP PULLEY, 1.8 L ENG	3	3526-
71	HM-13107		SCREW, WTR PUMP PULLEY, 1.8 L ENG	3	3526-
72	RH-3124B	6265	HOSE, 5/8 X 31, WITH FITTING	1	2804-3493
73	RH-3098B	6266	HOSE, 5/8 X 24-1/2, WITH FITTING	1	2804-4149
73	RH-3063A		HOSE, 5/8 x 15-3/4	1	4150-
74	RH-3033B		HOSE, 5/8 X 8-1/4, WITH FITTING	1	3526-4149
74	RH-3042A		HOSE, 5/8 X 10-1/2	1	4150-
75	3C-05254		GROMMET, RADIATOR MOUNTING	2	3526-
76	3C-12660		TUBE, EXPANSION TANK, WITH WELD-ON CLIPS	1	3758-4178
76	3C-12661		TUBE, EXPANSION TANK, W/OUT CLIPS	1	4363-
77	P6-2072A		HOSE, 5/16 X 18	1	3758-
78	P6-2028A		HOSE, 5/16 X 7	1	3758-
79	HA-06006		SCREW, HEX HEAD, 1/4-20 X 1/2	2	3758-
80	HA-06862		LOCKWASHER, 1/4	2	3758-
81	27-3000T		CLAMP, RUBBER CUSHIONED, 3/8 TUBE	2	4363-
	KZ-07000		KIT, COOLANT FLANGE W/LOOM (GAS)		2804-3493
	KZ-07001		KIT, COOLANT FLANGE W/LOOM (LPG)		2804-3493
82	3C-07000		FLANGE	1	4546-5198
	3C-07050		FLANGE	1	5343-
83	2E-07010		SEAL, FLANGE	1	4546-
84	3C-02620		COOLING MANIFOLD	1	3526-
85	3C-11730		WATER TEMPERATURE SENDING UNIT	1	5343-
	2E-07020		SEAL, SENSOR	1	5343-
86	3C-07100		HEATER FLANGE	1	4539-
	HA-77000		CLIP, COOLANT SENSOR SECURING	1	4546-

* ZAMBONI *
MODEL 500 PARTS LIST

GROUP 1.040 ENGINE EXHAUST SYSTEM



• ZAMBONI *
MODEL 500 PARTS LIST

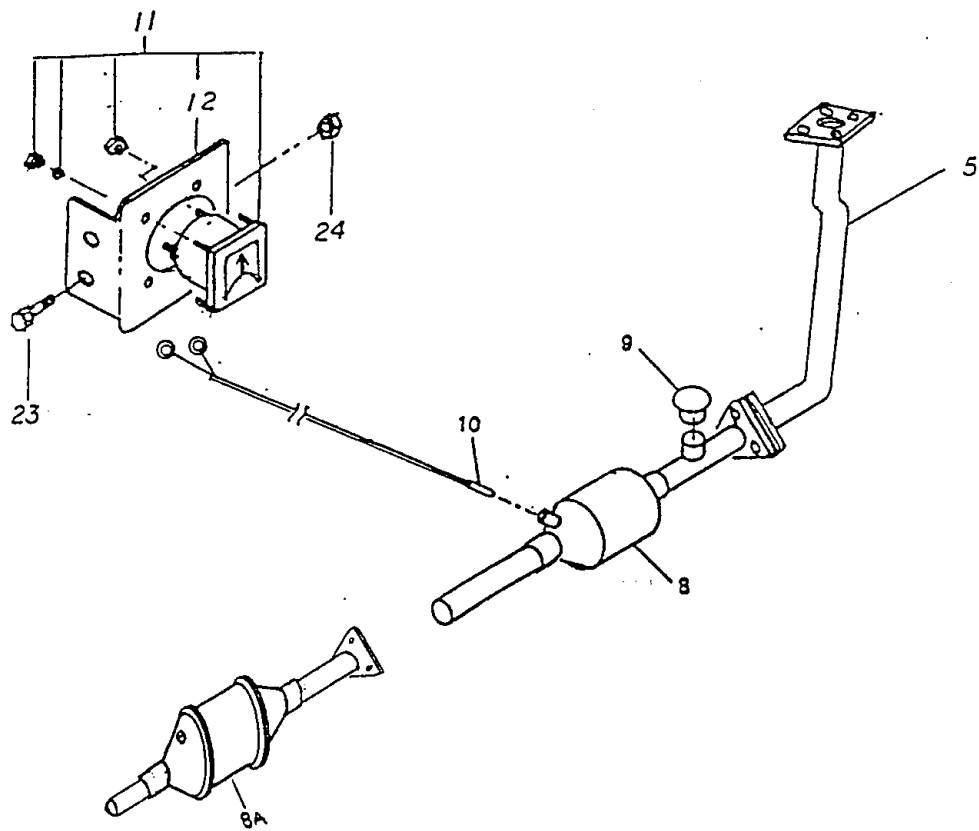
GROUP 1.040 EXHAUST SYSTEM

IND	NEW PART NO	OLD P/NO	DESCRIPTION	QTY	SERIAL NO
1	3D-17880	1788	TAIL PIPE	1	2804-5620*
	3D-18050		TAIL PIPE	1	5621-*
2	3D-17920	1792	MUFFLER	1	2804-
3	3D-17900	1790	EXTENSION, EXH PIPE (NOT USED WITH CAT CONV)	1	2804-
	3D-17901		FLEX SEGMENT EXHAUST PIPE	1	4539-
	27-31540		CLAMP, EXHAUST PIPE	2	4539-
	HA-08011	281	SCREW, HEX HD, 5/16-18 X 1	3	2804-
	HA-08862	227	LOCKWASHER, 5/16	3	2804-
	HA-08980	329	HEX NUT, 5/16-18	3	2804-
4	2D-17950	1795	GASKET, EXHAUST PIPE FLANGE	1	2804-
5	3D-1787A	1787	PIPE, ENGINE EXHAUST, STAINLESS	1	2804-3493
5	3D-0500A		PIPE, ENGINE EXHAUST, STAINLESS	1	3526-
	HM-26109		SCREW PLUG	1	3526-
	HA-08011	281	SCREW, HEX HD, 5/16-18 X 1	4	2804-
	HA-08862	227	LOCKWASHER, 5/16	4	2804-
	HA-08980	329	HEX NUT, 5/16-18	4	2804-
6	2D-19160	1916	GASKET, EXHAUST PIPE FLANGE	1	2804-
7	27-31540	3154	CLAMP, EXHAUST PIPE	5,2,3	2804-6216
	27-31540		CLAMP, EXHAUST PIPE	4	6217-
13	49-05000		HEAT SHIELD	1	3526-4437
14	HA-08860		FLATWASHER, 5/16	2	2804-3581
15	3D-0531A		RUBBER WASHER	2,3	3658-6216
16	3D-0532A		STRAP	2	3658-4033
16	3D-0533A		WELDMENT, EXHAUST CROSS BRACE	1	4102-6216
17	3D-0530A		ANGLE BRACKET	1	3658-6216
18	HA-08860		FLATWASHER, 5/16	2	3658-6216
19	HA-10013		SCREW, HEX HD, 3/8-16 X 1-1/4	2,3	3658-6216
20	HA-10981		LOCKNUT, 3/8-16	8,2,3	3658-6216
21	HA-08009		SCREW, HEX HD, 5/16-18 X 3/4	2	3658-6216
22	HA-08981		LOCKNUT, 5/16-18	2	3658-6216
25	3D-0534A		ANGLE BRACKET, EXHAUST HANGER	1	4102-6216
26	3D-0535A		WELDMENT, EXHAUST CLAMP BRACKET	1	4102-6216
27	3D-18060		FLEX SEGMENT EXHAUST PIPE	1	5621-*
28	5T-23030		BRACKET	1	5621-*
29	3D-18070		INTERMEDIATE EXHAUST PIPE	1	5621-*
30	3D-18080		EXHAUST PIPE	1	5621-*
31	5T-23010		BRACKET, EXHAUST	1	5621-6203*
	5T-23011		BRACKET, EXHAUST	1	6204-
32	5T-23025		BRACKET, FLEXIBLE HANGER, FRONT	1	6217-
33	3D-4028B		EXHAUST HANGER, FLEXIBLE, FRONT	1	6217-
34	3D-4028A		EXHAUST HANGER, FLEXIBLE, REAR	1	6217-
35	HA-10014		SCREW, HEX HD, 3/8-16 X 1-1/2	3	6217-
36	HA-10861		FLATWASHER, SAE, 3/8	6	6217-
37	HA-10981		LOCKNUT, 3/8-16	6	6217-

NOTE: MACHINES WITH SERIAL NUMBERS 5562 AND 5570 ARE INCLUDED IN * LOOP.

* ZAMBONI *
MODEL 500 PARTS LIST

GROUP 1.040 ENGINE EXHAUST SYSTEM (CONT'D)



• ZAMBONI •
MODEL 500 PARTS LIST

GROUP 1.040 EXHAUST SYSTEM (CONT'D)

IND	NEW PART NO	OLD P/NO	DESCRIPTION	QTY	SERIAL NO
N/S	KZ-0021A		GASKET KIT, INTAKE & EXHAUST MANIFOLDS	1	3526-
N/S	KZ-0020B		KIT, ENGINE EXHAUST MANIFOLD	1	2804-
N/S	KZ-00250		KIT, HI-RISE ENGINE EXHAUST	1	2804-5620
N/S	3D-1773M		EXHAUST MANIFOLD	1	2804-
N/S	3D-1773L		STUD, EXHAUST MANIFOLD	4	2804-

CATALYTIC CONVERTER OPTION

	KZ-19420	1942	KIT, CATALYTIC CONVERTER, 2 WAY, 1.6 L ENG		2804-3493
	KZ-19421		KIT, CATALYTIC CONVERTER, 1.8 L ENG		3526-5167
8	3D-0001B	1937	CONVERTER & VENTURI WELDMENT	1	2804-6014
9	3R-19390	1939	AIR FILTER & CLAMP	1	2804-5167
10	7K-19410	1941	THERMOCOUPLE & LEAD WIRES	1	2804-5195
	7K-19450		THERMOCOUPLE W/FITTING	1	5196-
	7K-19452		THERMOCOUPLE EXTENSION LEAD WIRE	1	5196-
11	7K-19400	1940	PYROMETER (CHROME BEZELS)	1	2804-
	7K-19500		PYROMETER (BLACK BEZELS)	1	2804-
12	5T-12050	1205	BRACKET, PYROMETER	1	2804-5198
23	HA-04706	249	SCREW, FILLISTER HD, 10-32 X 1/2	2	2804-5198
24	HA-04981	290	LOCKNUT, HEX, 10-32	2	2804-5198
	KZ-19550		KIT, CATALYTIC CONVERTER, 3 WAY, 1.8 L ENG		3526-5167
	KZ-19500		KIT, CATALYTIC CONVERTER, 3 WAY, 1.8 L ENG		5168-
8A	3D-05010		CONVERTER WELDMENT	1	5168-
	3D-00061		CATALYST (CLAMP STYLE CONVERTER)	1	5168-
25	FL-1812A		PLUG, SQ HD, 3/8 NPT, W/WIRE	1	5168-
	3A-0500C		SAFETY WIRE, SS (FOR FL-1812A)	1	5168-
26	HM-26109		PLUG, SCREW, HEX, SOCKET, M18 X 1.5	1	5168-
27	HM-10815		RING, SEALING, 18MM	1	5168-

* ZAMBONI *
MODEL 500 PARTS LIST

GROUP 1.060 GASOLINE FUEL SYSTEM

IND	NEW PART NO	OLD P/NO	DESCRIPTION	QTY	SERIAL NO
1	7A-15240	1524	TANK, GASOLINE	1	2804-
	FD-18060	577	DRAIN PLUG	1	2804-
	1V-05530		HEAT SHIELD (USED ONLY W/ CATALYTIC CONVERTER)	1	5805-
	HA-08011	281	SCREW, HEX HD, 5/16-18 X 1	4	2804-
	HA-08860	222	FLAT WASHER, 5/16	8	2804-
	HA-08981	263	LOCKNUT, HEX, 5/16-18	4	2804-
2	7D-18990	1899	CAP, FILL TUBE	1	2804-
3	3F-4005A	4005	SENDING UNIT, FUEL LEVEL INDICATOR	1	2804-
	HA-04706	249	SCREW, FILLISTER HD, 10-32 X 1/2	5	2804-
4	2D-40720	4072	GASKET, FUEL SENDING UNIT	1	2804-
5	F4-67070	4021	ADAPTER, 90 ELBOW, 04FV X 04MP	1	2804-
6	FW-56060	7628	CONNECTOR, 1/4 HOSE X 04MV	1	2804-
7	P6-1188B	1945	HOSE, FUEL, 1/4 X 47	1	2804-
	27-2001A	7629	HOSE CLAMP	2	2804-
8	3R-10660	1066	FILTER, GASOLINE	1	2804-
9	P6-1032A	1944	HOSE, FUEL, 1/4 X 8	1	2804-3493
9	P6-2044A		HOSE, FUEL, 5/16 X 11	1	3526-
	27-2001A	7629	HOSE CLAMP	2	2804-
10	3F-19590	1959	FUEL PUMP	1	2804-3493
10	3F-0262F		FUEL PUMP	1	3526-
	3F-14670	1467	COVER & FILTER KIT, FUEL PUMP	1	2804-3493
11	P6-1080A	1960	HOSE, 1/4 X 20 (PUMP TO CARBURETOR)	1	2804-3493
12	3F-19570	1957	CARBURETOR	1	2804-3493
	3F-1773A		GASKET	1	2804-3493
	KZ-20080		REPAIR KIT, CARBURETOR, 1.6 L	1	2804-3493
13	27-2001A	7269	HOSE CLAMP	2	2804-
14	P6-1076A		HOSE, 1/4 X 19 (PUMP TO CARBURETOR)	1	3526-
15	3F-0262C		CARBURETOR	1	3526-
	3F-0262K		REPAIR KIT, CARBURETOR, 1.8 L		3526-
20	3R-1793A	1793	ASSY, AIR CLEANER & FILTER ELEMENT	1	2804-3493
21	3R-1793Z	1255	FILTER ELEMENT	1	2804-3493
22	HA-06506	434	SCREW, TRUSS HD, 1/4-20 X 3/4	1	2804-3493
23	26-1918A	1918	HOSE, CRANKCASE VENT	1	2804-3493
30	3R-0509A		SET, AIR CLEANER PARTS	1	3526-
31	3R-72421		SET, HOSE CONNECTOR PARTS	1	3526-
32	3R-72420		SET, UPPER PLATE & FILTER ELEMENT	1	3526-

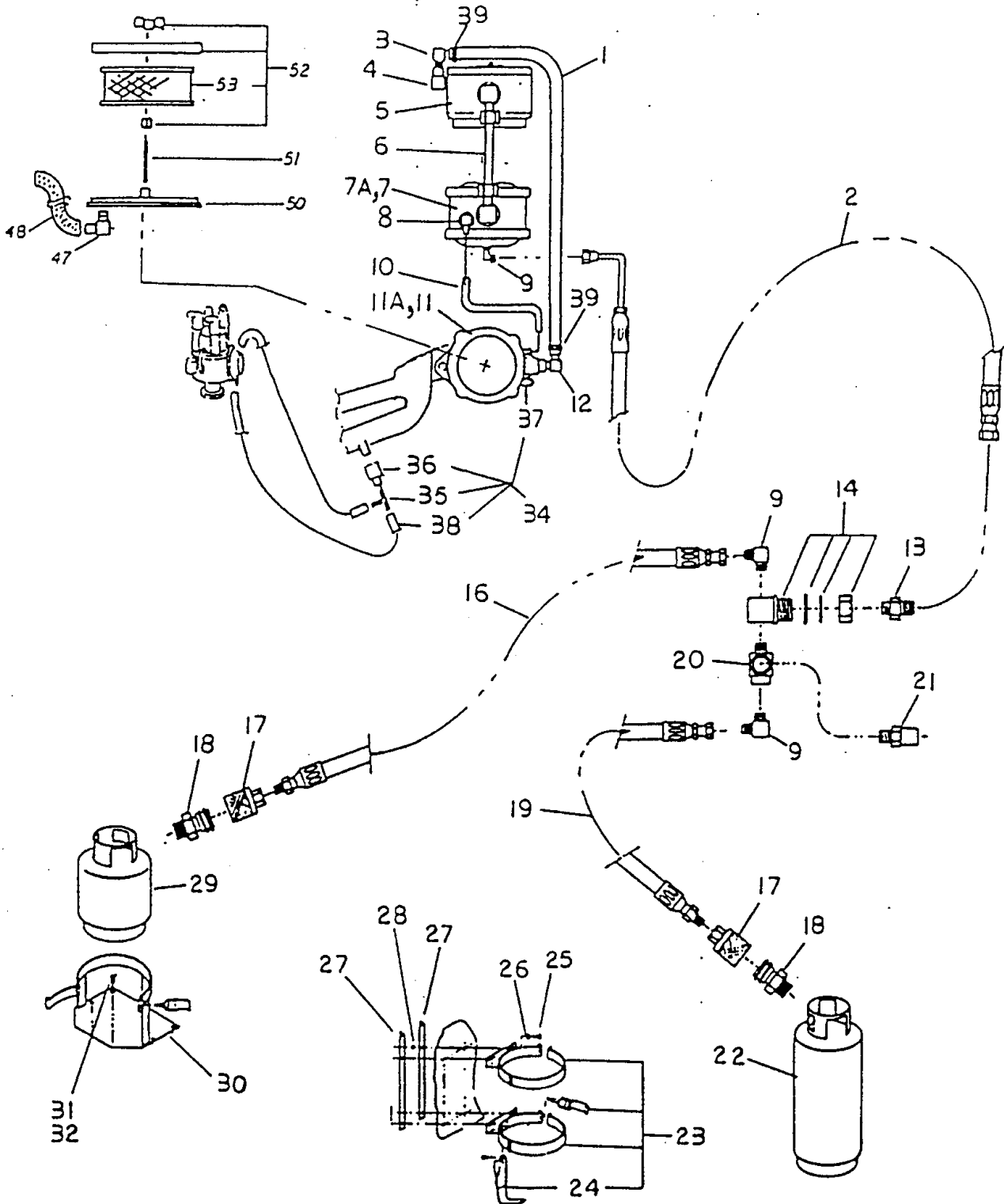
* ZAMBONI *
MODEL 500 PARTS LIST

GROUP 1.060 GASOLINE FUEL SYSTEM (CONT'D)

IND	NEW PART NO	OLD P/NO	DESCRIPTION	QTY	SERIAL NO
33	HM-07981		LOCKNUT, 5-.8 mm	3	3526-
34	1P-0500A		PLATE, AIR CLEANER HOLD-DOWN	1	3526-
35	4X-0500A		GROMMET, AIR CLEANER LOWER PLATE	1	3526-
36	3R-0510A		LOWER PLATE, AIR CLEANER	1	3526-
37	3R-72430		FILTER ELEMENT	1	3526-
38	RH-3040A		HOSE, CRANKCASE VENT	1	3526-
39	3F-0262M		GASKET, CARBURETOR FLANGE, 1.8 L	1	3526-
N/S	3F-0262Z		IDLER CUT OFF VALVE	1	3526-

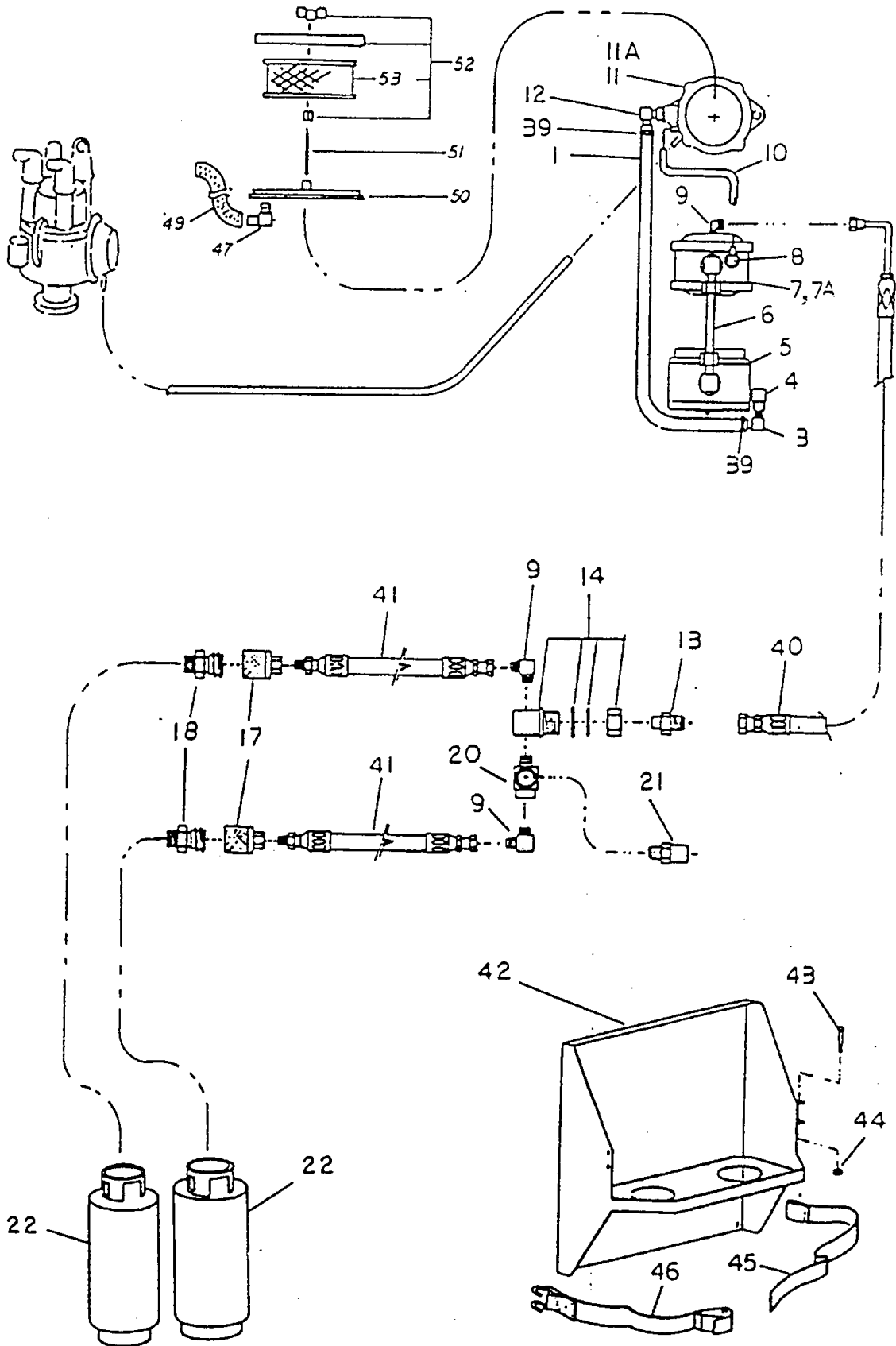
* ZAMBONI *
MODEL 500 PARTS LIST

GROUP 1.065 LPG FUEL SYSTEM SERIAL NUMBER 2804-3493



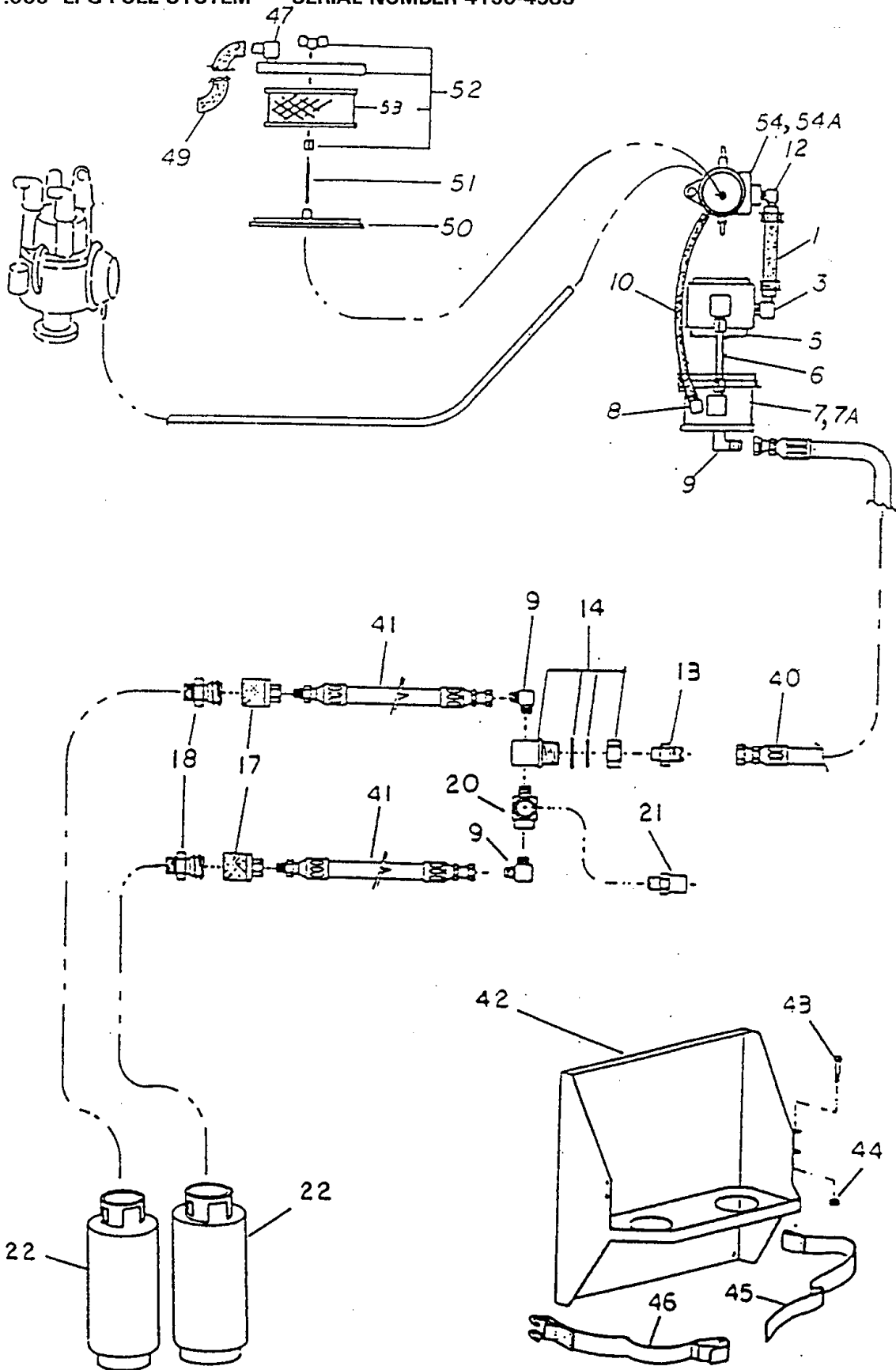
* ZAMBONI *
MODEL 500 PARTS LIST

GROUP 1.065 LPG FUEL SYSTEM SERIAL NUMBER 3526-4149



* ZAMBONI *
MODEL 500 PARTS LIST

GROUP 1.065 LPG FUEL SYSTEM SERIAL NUMBER 4150-4583



* ZAMBONI *
MODEL 500 PARTS LIST

GROUP 1.065 LPG FUEL SYSTEM

IND	NEW PART NO	OLD P/NO	DESCRIPTION	QTY	SERIAL NO
1	RL-2054A		HOSE, FUEL VAPOR, 5/8 X 13-1/2	1	2804-4149
1	RL-2017A		HOSE, FUEL VAPOR, 5/8 X 4-1/4	1	4150-
2	P4-3688B	6270	HOSE ASSY, FUEL, 3/8 X 172	1	2804-3493
3	FP-0610C		90 EL, 08MP X 5/8 HOSE	1	2804-
4	FL-69090		90 EL, 08MP X 08FP	1	2804-
5	3F-72440 7476	7244	FUEL CONVERTER, JB MODEL J CONVERTOR REPAIR KIT	1	2804-4775 2804-4775
	3F-72500		FUEL CONVERTER, KB (Blue Spring)	1	4776-5564
	3F-72505		FUEL CONVERTER, KO (Orange Spring)	1	5565-6519
	3F-72505		FUEL CONVERTER, COBRA I(Orange Spring)	1	6523-
	3F-72601		SPRING, BLUE, KB & COBRA CONVERTER	1	4776-5564
	3F-72602		SPRING, ORANGE, KO & COBRA I CONVERTER	1	5565-
	KV-0044A		MODEL KB/KO, COBRA, COBRA I CONVERTER REPAIR KIT		4776-
	3F-72499		PRIMARY VALVE PIN & O-RING ASSY (Included in KV-0044A)	1	4776-
6	4P-62600	6260	CROSSOVER TUBE	1	2804-
7	3F-72450 7477	7245	VACUUM FUEL-LOCK/FILTER VFF 30 LOCKOFF REPAIR KIT	1	2804- 2804-
7A	3R-0402A		FILTER ELEMENT	1	2804-
8	F5-67600	7262	90 EL, 04MP X 06 MALE SAE 45	1,3	2804-
9	FW-67080		90 EL, 02MP X 1/4 HOSE	1	2804-
10	3F-62590	6259	VACUUM HOSE, 1/4 X 7-1/2	1	2804-4149
10	3F-6259A		VACUUM HOSE, 1/4 X 9-1/2	1	4150-
11	3F-62500	6250	CARBURETOR, CA-55	1	2804-4149
11A	1199		KIT, CARBURETOR REPAIR	1	2804-4149
12	FW-67140		90 EL, 06MP X 5/8 HOSE	1	2804-
13	F5-62450	6275	ADAPTER, 04MP X 06 MALE SAE 45	1,3	2804-
14	FL-91520	7246	BULKHEAD TEE, 04FP	1	2804-4623
16	P4-3090B	6271	HOSE ASSY, FUEL, 3/8 X 22-1/2	1	2804-3493
17	FW-3901F	7276	HOSE DISCONNECT, FEMALE HALF	2	2804-3493
18	FW-3801M	7275	HOSE DISCONNECT, MALE HALF	2	2804-
19	P4-3072B	6272	HOSE ASSY, FUEL, 3/8 X 18	1	2804-3493
20	FL-82170	6274	TEE, 04MP X 04FP RUN, 04FP BRANCH	1,3	2804-
21	2V-72770	7277	RELIEF VALVE	1,3	2804-
22	7A-72790	7279	TANK, LPG FUEL	1,2	2804-
23	5T-72810	7281	BRACKET SET, MAIN FUEL TANK	1	2804-3493
24	5T-72850	7285	BRACKET, LOWER SUPPORT (INCL WITH 23)	1	2804-3493
25	HA-08009		SCREW, 5/16-18 X 3/4	4	2804-3493
26	HA-08860		FLATWASHER, 5/16	4	2804-3493
27	5T-72410	7241	BRACKET, MAIN TANK SUPPORT	2	2804-3493
28	HA-08981		LOCKNUT, 5/16-18	4	2804-3493
29	7A-62360	6236	TANK, LPG FUEL, AUXILIARY	1	2804-3493
30	5T-11950	1195	BRACKET ASSY, AUX FUEL TANK	1	2804-3493
31	HA-10009		SCREW, 3/8-16 X 3/4	4	2804-3493
32	HA-10981		LOCKNUT, 3/8-16	4	2804-3493

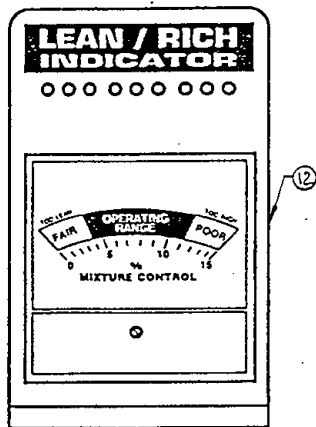
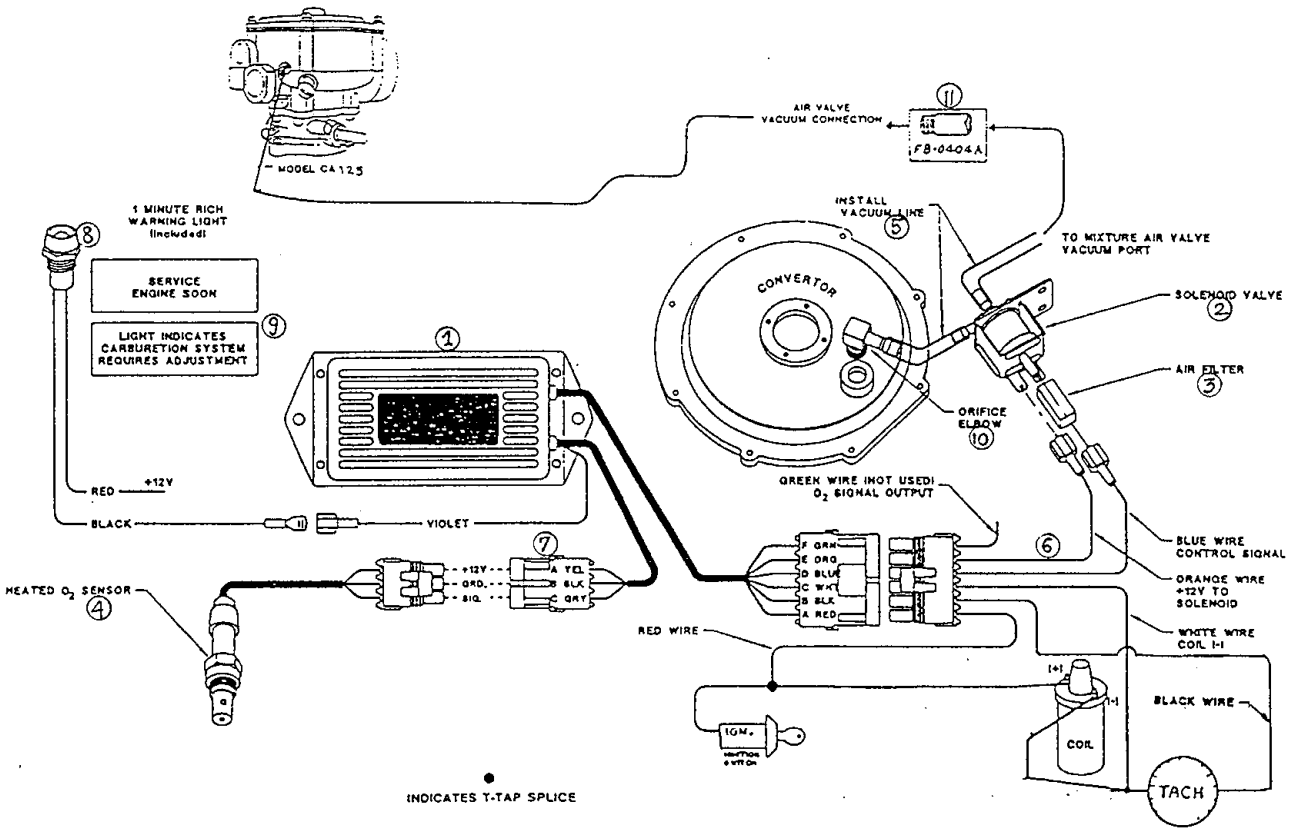
* ZAMBONI *
MODEL 500 PARTS LIST

GROUP 1.065 LPG FUEL SYSTEM (CONT'D)

IND	NEW PART NO	OLD P/NO	DESCRIPTION	QTY	SERIAL NO
34	KZ-0042A		KIT, VACUUM ADVANCE MODIFICATION	1	2804-3493
35	3K-0510A		TEE, 1/8 HOSE	1	2804-3493
36	3K-0500F		ADAPTER, MANIFOLD TO TEE	1	2804-3493
37	7D-71830		CAP, 1/8 TUBE	1	2804-3493
38	3K-0500C		CONNECTOR	2	2804-3493
39	27-2012A		HOSE CLAMP	2	2804-
40	P4-3660B		HOSE ASSY, FUEL, 3/8 X 165	1	3526-4149
40	P4-3660C		HOSE ASSY, FUEL, 3/8 X 170	1	4150-
41	P4-3099B		HOSE ASSY, FUEL, 3/8 X 24-3/4	2	3526-4623
	P4-3110B		HOSE ASSY, FUEL, 3/8 X 26	1	4732-
42	46-05230		BRACKET, FUEL TANK MOUNTING	1	3526-
43	HA-06018		SCREW, 1/4-20 X 2-1/2	1	3526-
44	HA-06981		LOCKNUT, 1/4-20	1	3526-
45	1M-0510B		STRAP	1	3526-
46	1M-0510A		STRAP WITH BUCKLE	1	3526-
47	FP-0610C		90 EL, 08MP X 5/8 HOSE	1	2804-
48	RJ-6026A	6267	HOSE, CRANKCASE VENT, 3/4 X 6-1/2	1	2804-3493
49	RH-4065B		HOSE, CRANKCASE VENT, 3/4 X 16-1/4	1	3526-4149
49	RH-3036A		HOSE COOLANT, 5/8 X 10	1	4150-
50	3F-62510	6251	ADAPTER PLATE	1	2804-4149
50	3R-0510D		ADAPTER PLATE	1	4150-4623
50	3R-0510E		ADAPTER PLATE	1	4732-
51	HD-0601M		STUD, 1/4-20 X 3-1/8	1	2804-
52	3R-72420	7242	SET, AIR CLEANER UPPER PLT & FILTER ELEMENT	1	2804-
53	3R-72430	7243	FILTER ELEMENT	1	2804-
54	3F-6260A		CARBURETOR AND GASKET	1	4150-4775
	3F-6260D		CARBURETOR AND GASKET, CA125-92Z	1	4776-
	KV-0044B		CARBURETOR REPAIR KIT	1	4776-
54A	3F-6260B		GASKET, CARBURETOR	1	4150-4775
	3F-6260E		GASKET, CARBURETOR	1	4776-
55	4X-8806A		GROMMET RUBBER, 7/8 ID, 1/16 GRIP	1	4584-
56	P4-3135B		HOSE, 06X32 06FS04MP	1	4584-
57	2V-72760		MANUAL 3 WAY VALVE, PROPANE	1	4584-
	2V-72765		HANDLE, 3 WAY VALVE	1	4584-
	KZ-0043B		ASSEMBLY, MANUAL 3 WAY VALVE, PROPANE	1	4584-
58	FL-69550		90 EL, 04MPX04FP	3	4584-
59	3C-07030		PLUG PORT WITH 2E-07020 (O-RING)	1	4584-
N/S	7K-50020		3-IN-1 GUAGE	1	7218-

* ZAMBONI *
MODEL 500 PARTS LIST

GROUP 1.070 LAMBDA FUEL MANAGEMENT SYSTEM (LPG AND CNG)



* ZAMBONI *
MODEL 500 PARTS LIST

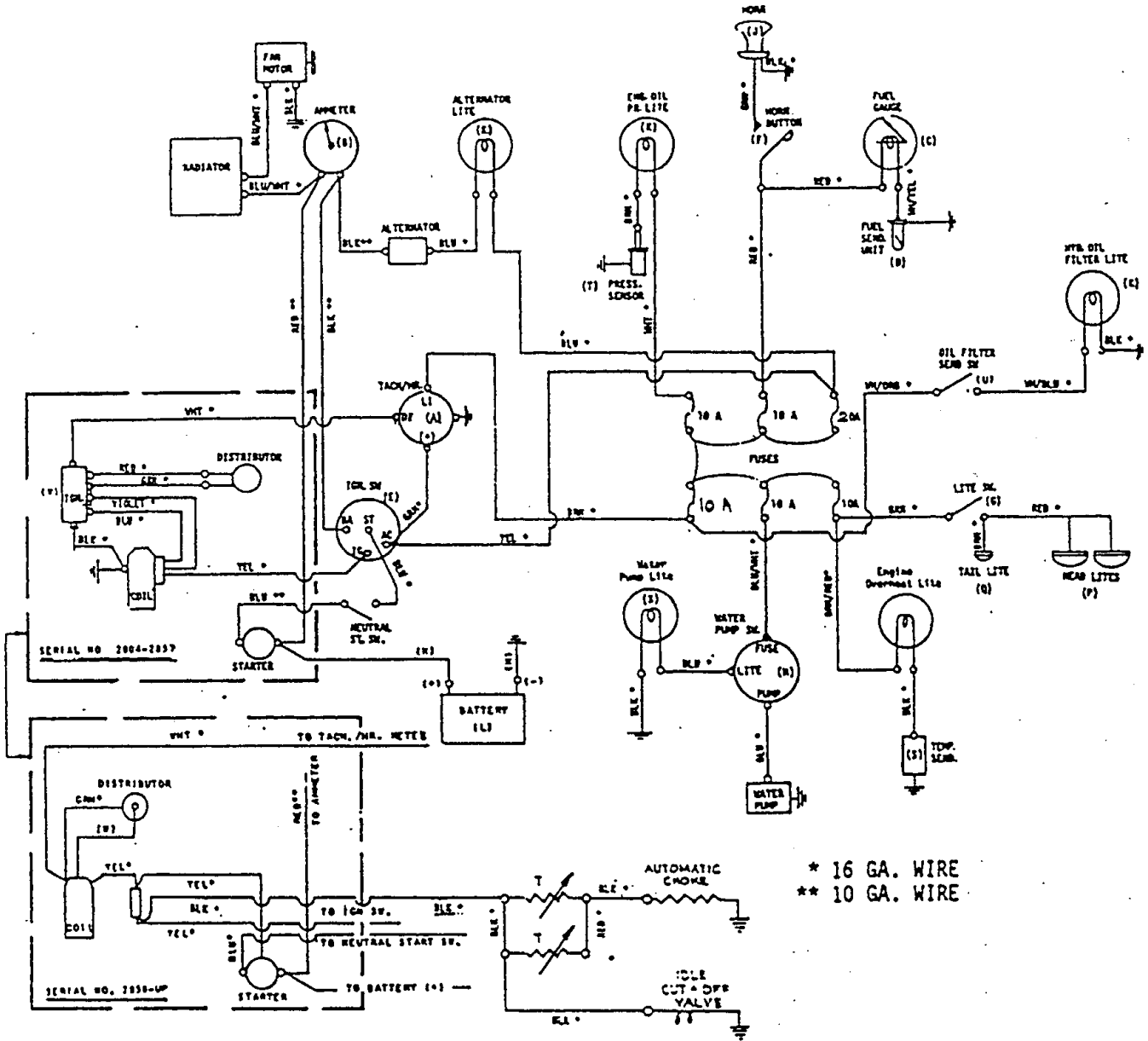
GROUP 1.070 LAMBDA FUEL MANAGEMENT SYSTEM (LPG AND CNG)

IND	NEW PART NO	OLD P/NO	DESCRIPTION	QTY	SERIAL NO
1	3E-4047Z		FUEL CONTROL PROCESSOR, ANALOG	1	5168-5622
	3E-59530		FUEL CONTROL PROCESSOR, DIGITAL	1	5623-
2	3E-40480		SOLENOID VALVE, VACUUM CONTROL	1	5168-
3	3E-40481		AIR FILTER, SOLENOID VALVE	1	5168-
4	3E-4049B		OXYGEN SENSOR	1	5168-
5	4T-01010		TUBING, VACUUM, 3/16" DIA	1.6'	5168-
6	75-40500		PROCESSOR AND OXYGEN SENSOR WIRE, 15' LONG	1	5168-
7	75-40490		OXYGEN SENSOR EXTENSION WIRE, 6' LONG	1	5168-
8	7L-40440		RICH WARNING LIGHT	1	5168-
9	81-50040		NAMEPLATE, RICH WARNING LIGHT	1	5168-
10	FP-0204B		90° ELBOW W/ORIFICE	1	5168-
11	FP-0404A		CONNECTOR	1	5168-
12	7K-40410		MIXTURE MONITOR (OPTIONAL DIAGNOSTIC TOOL)	1	5168-
N/S	75-40420		ADAPTOR CABLE, MIXTURE MONITOR	1	5168-

VACUUM HOSE COLOR CODE IDENTIFICATION STARTED AT 7208-
 YELLOW TAPE = LPG SYSTEM RELATED
 BLUE TAPE = CNG SYSTEM RELATED
 RED TAPE = LPG SHUT DOWN ON IGNITION OFF
 GREEN TAPE = LAMBDA FUEL PROCESSOR, SINGLE FUEL
 GREEN / YELLOW = LAMBDA FUEL PROCESSOR LPG, DUAL FUEL
 GREEN / BLUE = LAMBDA FUEL PROCESSOR CNG, DUAL FUEL

* ZAMBONI *
MODEL 500 PARTS LIST

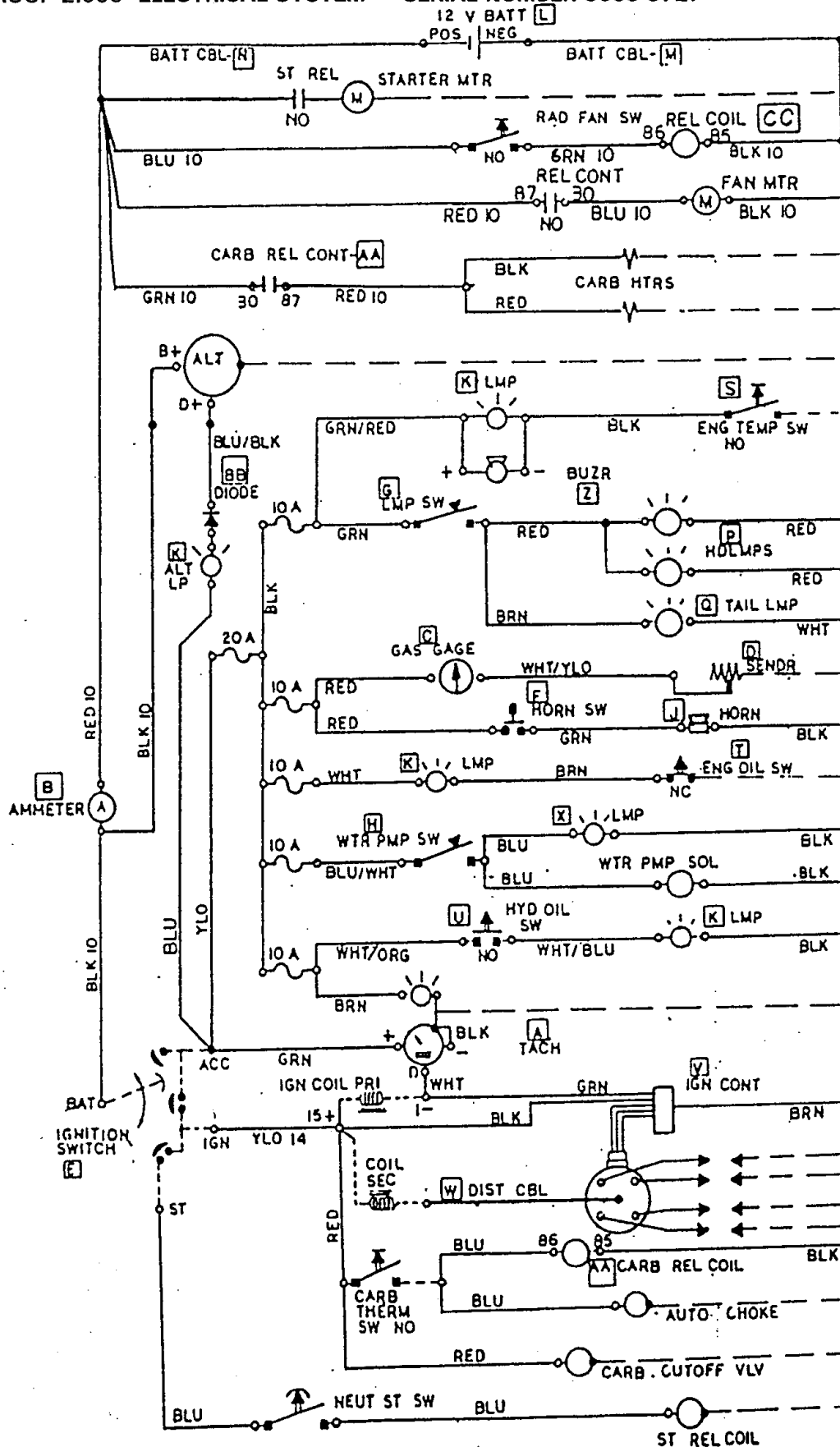
GROUP 2.000 ELECTRICAL SYSTEM SERIAL NUMBER 2804-3493



* 16 GA. WIRE
** 10 GA. WIRE

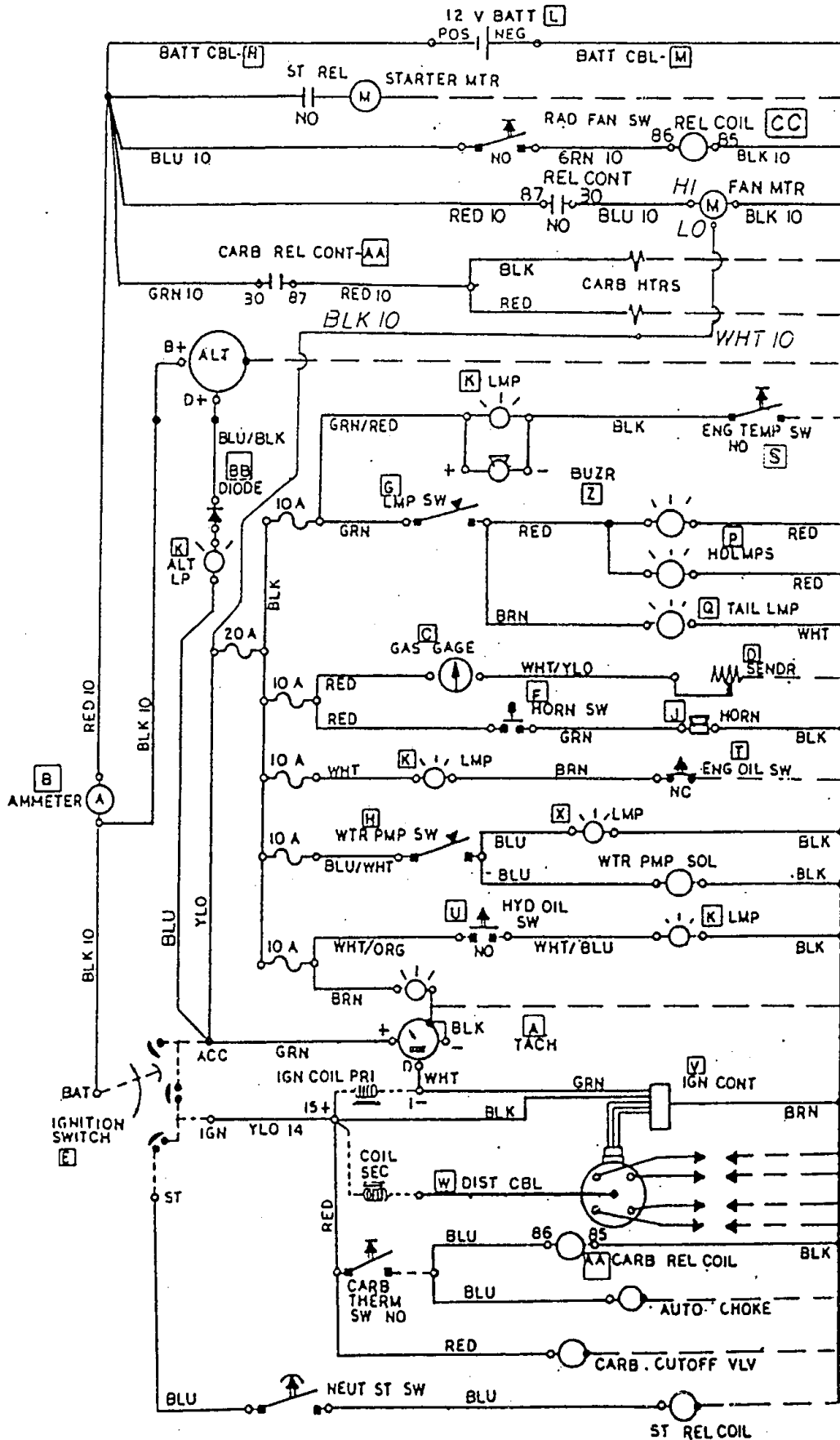
* ZAMBONI *
MODEL 500 PARTS LIST

GROUP 2.000 ELECTRICAL SYSTEM SERIAL NUMBER 3658-3727



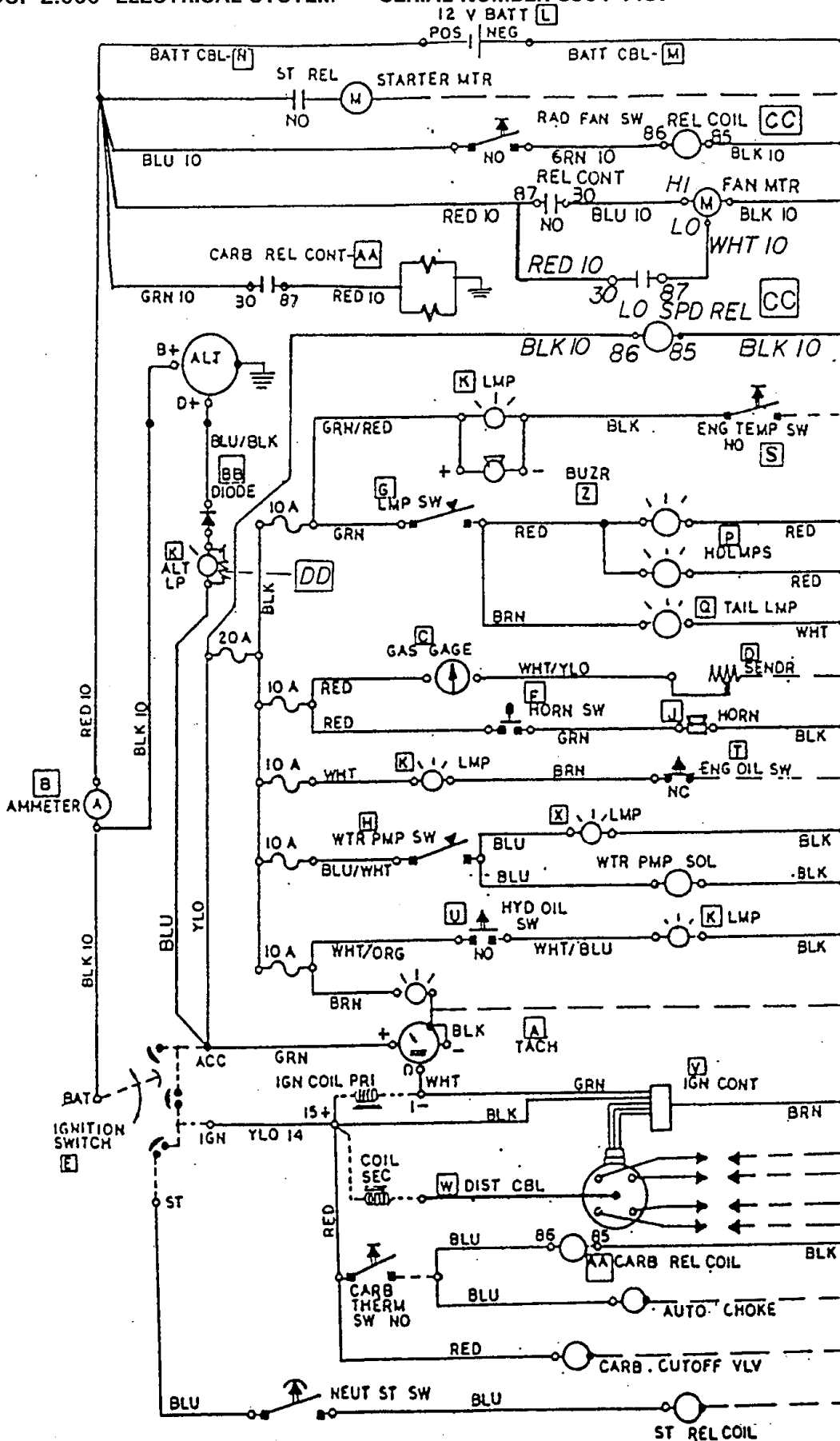
* ZAMBONI *
MODEL 500 PARTS LIST

GROUP 2.000 ELECTRICAL SYSTEM SERIAL NUMBER 3758-3817



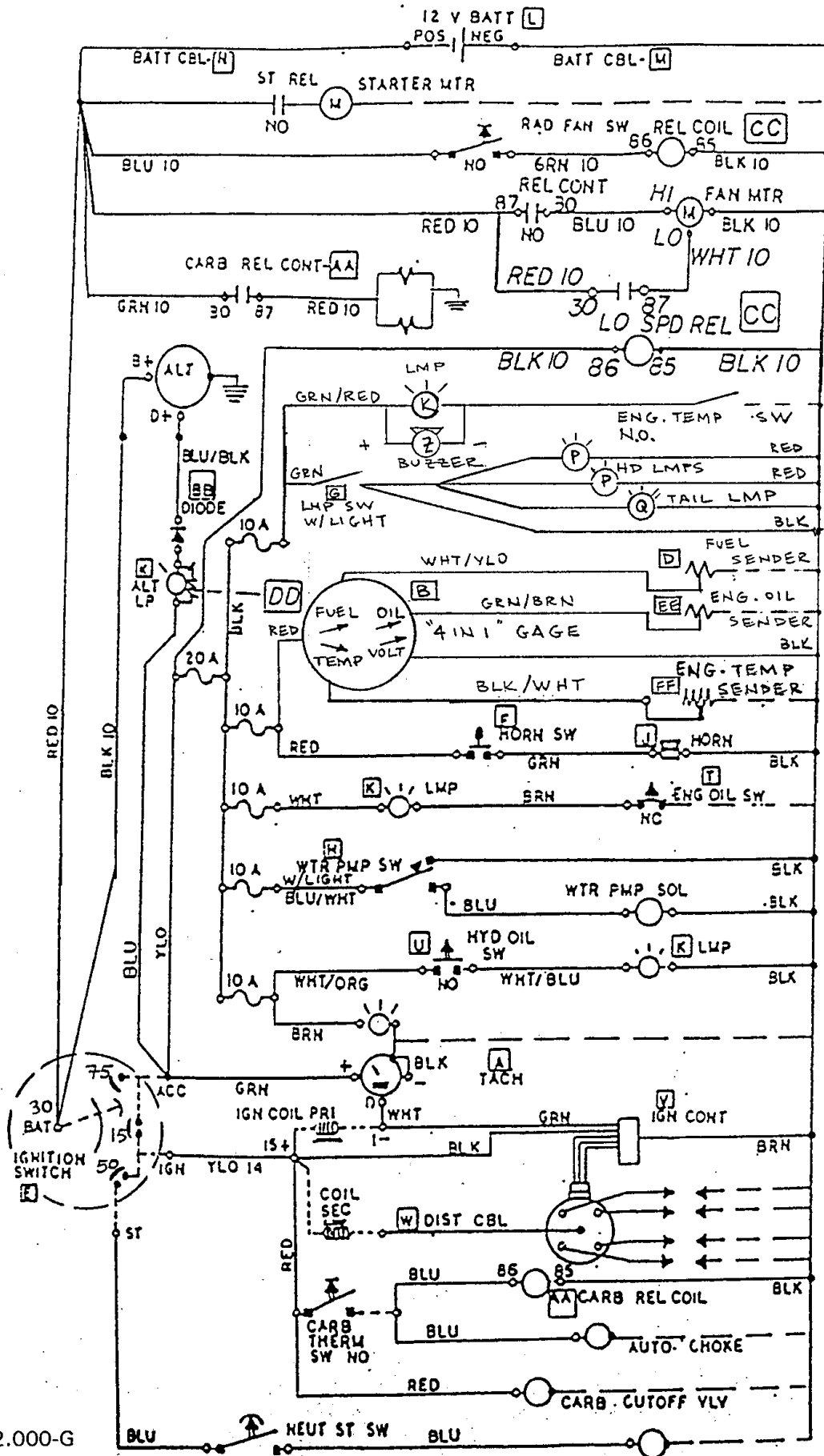
* ZAMBONI *
MODEL 500 PARTS LIST

GROUP 2.000 ELECTRICAL SYSTEM SERIAL NUMBER 3964-4437



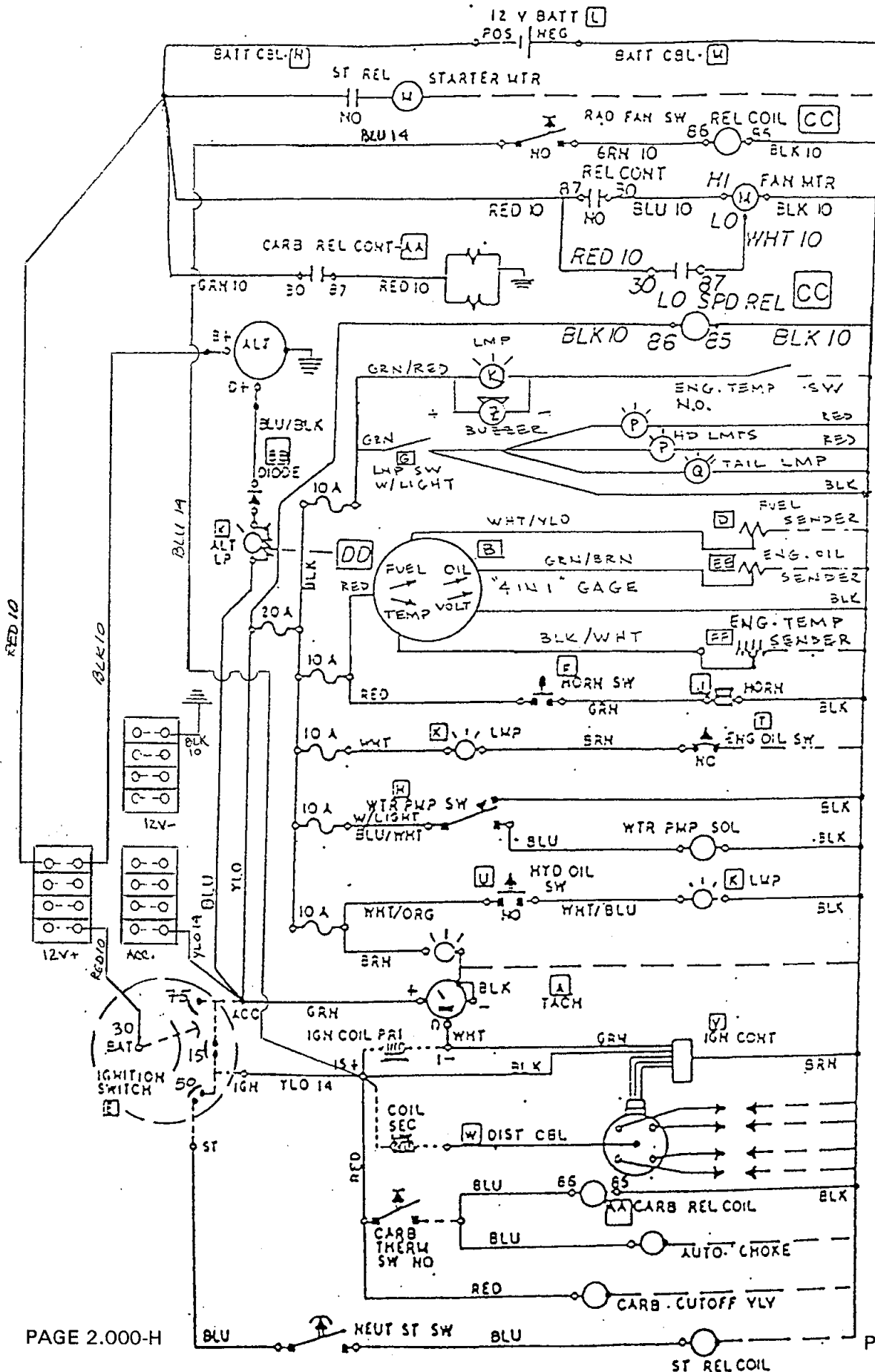
* ZAMBONI *
MODEL 500 PARTS LIST

GROUP 2.000 ELECTRICAL SYSTEM SERIAL NUMBER 5343-5649



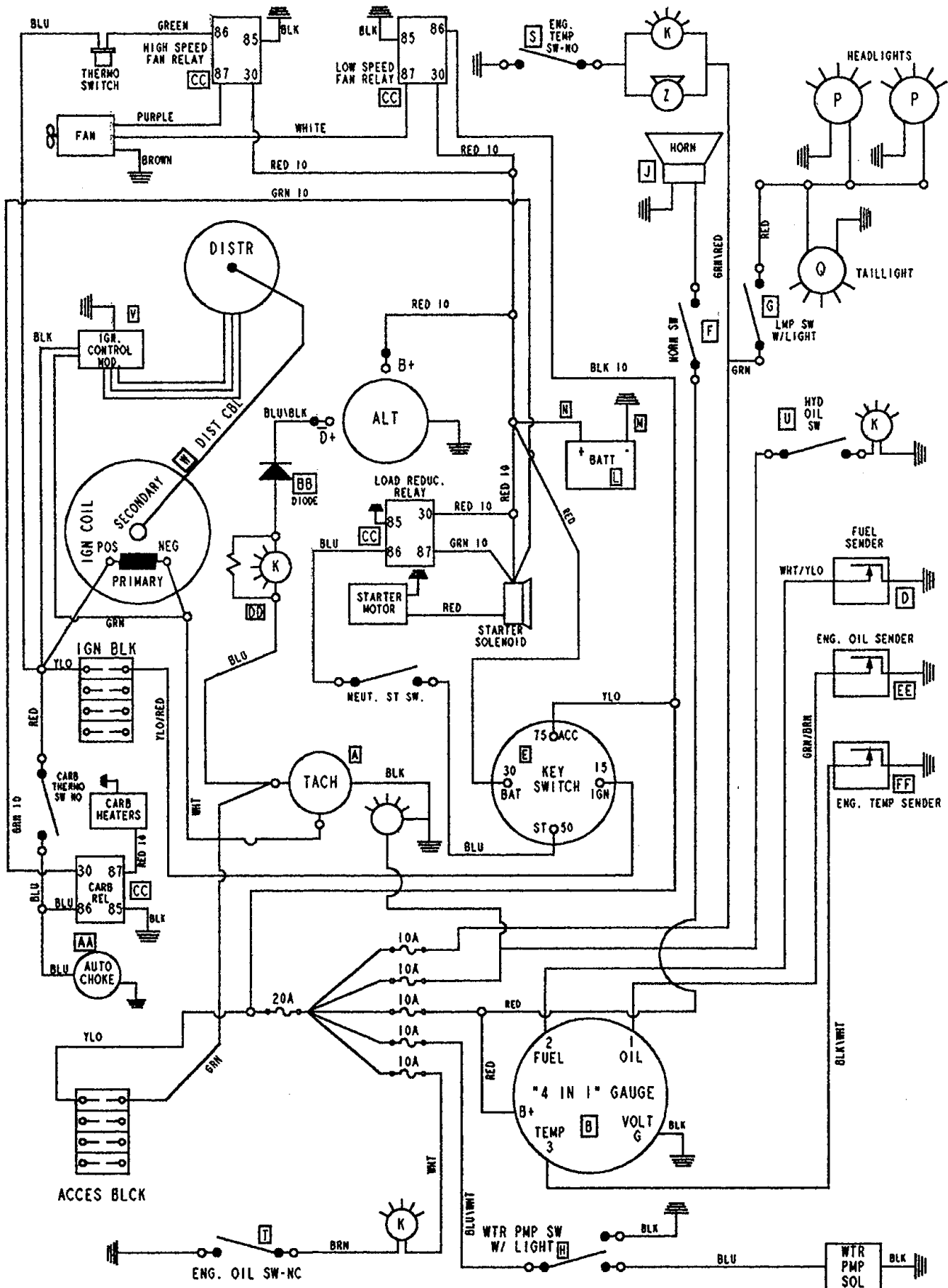
* ZAMBONI *
MODEL 500 PARTS LIST

GROUP 2.000 ELECTRICAL SYSTEM SERIAL NUMBER 5650-6288



* ZAMBONI *
MODEL 500 PARTS LIST

GROUP 2.000 ELECTRICAL SYSTEM SERIAL NUMBER 6484-



• ZAMBONI *
MODEL 500 PARTS LIST

GROUP 2.000 ELECTRICAL

IND	NEW PART NO	OLD P/NO	DESCRIPTION	QTY	SERIAL NO
A	7K-77270	7727	TACH-HOUR METER, 1.6 L	1	2804-3493
A	7K-7727A		TACH-HOUR METER, NO COLOR, 1.8 L	1	3526-4623
A	7K-7727D		TACH-HOUR METER, 1.8 L	1	4732-
B	7K-76840	7684	AMMETER	1	2804-4623
B	7K-9004B		AMMETER	1	4732-5198
C	7K-36420	3642	GAGE, GASOLINE FUEL	1	2804-4632
C	7K-9003B		FUEL GAUGE	1	4732-5198
B	7K-50010		4 IN 1 GAUGE (FUEL, OIL, WATER TEMP, VOLTS)	1	5343-6003
	7K-50011		4 IN 1 GAUGE (FUEL, OIL, WATER TEMP, VOLTS) -GAS	1	6004-
	7K-50020		3 IN 1 GAUGE (OIL, WATER TEMP, VOLTS) -ALT. FUELS	1	7218-
D			SENDING UNIT, FUEL (SEE GRP 1.060)	1	
E	7P-77260	7726	IGNITION SWITCH	1	2804-4781
	7P-04400		IGNITION SWITCH	1	5009-
F	7P-76370	7637	HORN SWITCH	1	2804-4437
F	7P-76369		HORN SWITCH	1	4539-
G	7P-40340	4034	LIGHT SWITCH	1	2804-4437
G	7P-77262		LIGHT SWITCH	1	4539-5822
	7P-77262		SWITCH, UNIVERSAL	1	5979-
H	7P-75980	7598	SWITCH, WATER PUMP	1	2804-4437
H	7P-77261		WATER PUMP SWITCH	1	4539-
	4B-80030	8003	KNOB, WATER PUMP SWITCH	1	2804-4437
J	KZ-10910	1091	HORN, VEHICLE WARNING	1	2804-2959
J	7X-10420	1042	HORN, VEHICLE WARNING	1	2960-
	HA-06009	221	SCREW, HEX HD, 1/4-20 X 3/4	2	2804-
	HA-06981	210	LOCKNUT, HEX, 1/4-20	2	2804-
	78-77420	7742	FUSE HOLDER	12,8,6	2804-
	78-77520	7752	FUSE, 20 AMP	1	2804-
	78-77530	7753	FUSE, 10 AMP	11,7,5	2804-
K	7L-78170	7817	ASSY, INDICATOR LAMP, W/BULB & RED LENS	4	2804-6864
	7L-78460		ASSY, INDICATOR LAMP, W/BULB & RED LENS	4	6989-
	7L-78450	7845	BULB, INDICATOR LAMP W/METAL BASE	5,4	2804-3337
	7L-7845A		BULB, INDICATOR LAMP W/GLASS BASE	5,4	3338-6864
	7L-78462		BULB, INDICATOR LAMP	4	6989-
L	77-75230	7523	BATTERY, 12 V	1	2804-
M	75-76540	7654	CABLE, BATTERY, 20 INCH (NEG)	1	2804-2858
M	75-17990	1799	CABLE, BATTERY, 30 INCH (NEG)	1	2859-3493
M	75-76550		BATTERY CABLE, 23 INCH (NEG)	1	3526-
N	75-17990	1799	CABLE, BATTERY, 30 INCH (POS)	1	2804-2858
N	75-52160	5216	CABLE, BATTERY, 35 INCH (POS)	1	2859-3493
N	75-76540		BATTERY CABLE, 20 INCH (POS)	1	3526-6288
	75-76542		BATTERY CABLE, 20 INCH (POS)	1	6484-
N/S	4T-03511		HI-TEMP SLEEVE, FIBERGLASS	1	6484-
P	7L-17970	1797	HEADLAMP	2	2804-4623
	7L-17969		HEADLAMP ASSY	2	4732-
	1L-18980	1898	SPRING, HEADLAMP RETAINING	4	2804-4623
Q	7L-17780	1778	TAIL LAMP	1	2804-

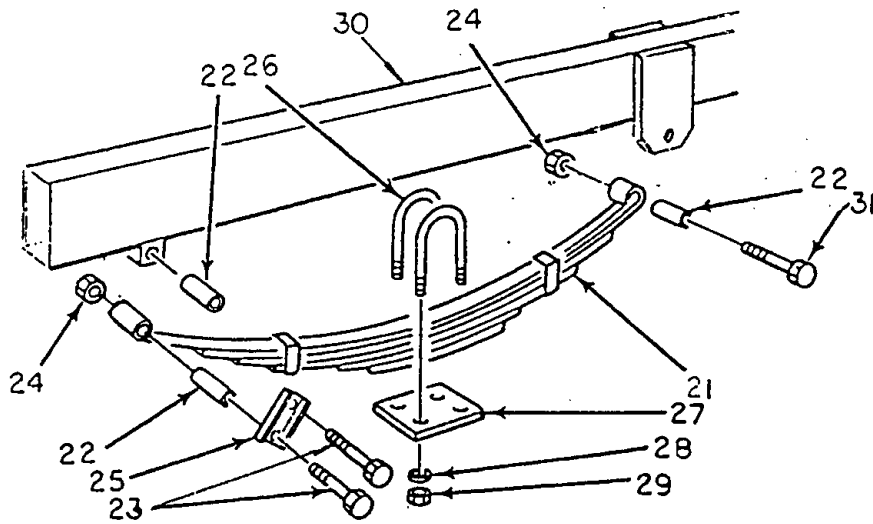
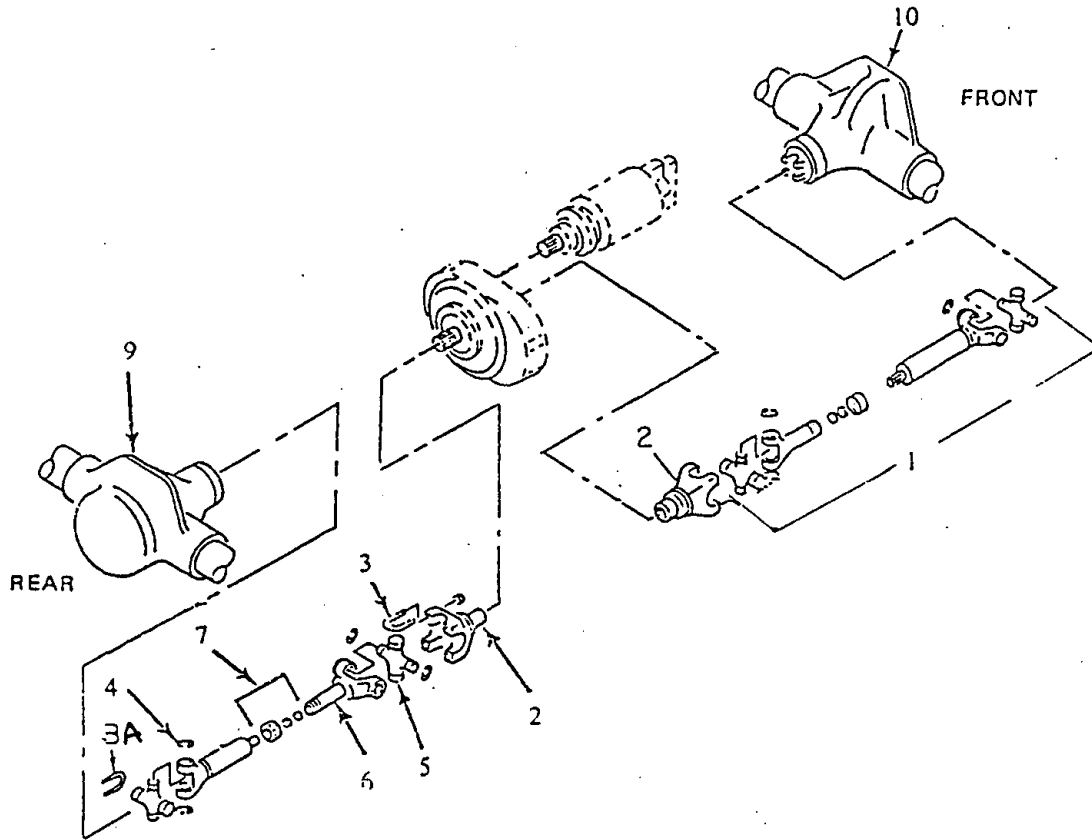
* ZAMBONI *
MODEL 500 PARTS LIST

GROUP 2.000 ELECTRICAL (CONT'D)

IND	NEW PART NO	OLD P/NO	DESCRIPTION	QTY	SERIAL NO
S			SWITCH, WATER TEMP, SEE ENGINE COOLING GROUP		
	75-1900B		TEMPERATURE SENSOR JUMPER LOOM	1	4539-5198
	75-1900C		TEMPERATURE SENSOR JUMPER LOOM	1	5343-
T	KZ-19010	1901	SWITCH, OIL PRESSURE	1	2804-
U			SWITCH---SEE HYDRAULIC OIL FILTER		
V			IGNITION CONTROL-SEE ENGINE GROUP		
W			CABLE ASSY, COIL/DISTRIBUTOR, SEE ENGINE GROUP		
X	7L-78465		ASSY, INDICATOR LAMP W/BULB & GREEN LENS	1	2960-4437
Z	7X-0500A		BUZZER ALARM, ENGINE TEMPERATURE	1	3526-
AA	3E-0262A		RELAY, CARBURETOR CONTROL, GASOLINE FUEL	1	3526-
	75-1900A		CARBURETOR SENSOR JUMPER LOOM	1	4539-
BB	3E-0262D		DIODE	1	3526-
CC	3E-0262F		RELAY, RADIATOR FAN MOTOR	1,2,3	3658-
DD	7L-1001A		RESISTOR, ALT LAMP SHUNT	1	3964-
	75-18000	1800	WIRE HARNESS, BODY & ENGINE	1	2804-3056
	75-18010		WIRE HARNESS, BODY & ENGINE	1	3057-3493
	75-1820B		WIRE HARNESS, BODY & CHASSIS	1	3526-3581
	75-1825A		WIRE HARNESS, BODY & CHASSIS	1	3658-3727
	75-1829A		WIRE HARNESS, BODY & CHASSIS	1	3758-4437
	75-1829B		WIRE HARNESS, BODY & CHASSIS	1	4539-5198
	75-1829D		WIRE HARNESS, BODY & CHASSIS	1	5343-5649
	75-1829E		WIRE HARNESS, BODY & CHASSIS	1	5650-6288
	75-1829F		WIRE HARNESS, BODY & CHASSIS	1	6484-
	75-1821A		CARBURETOR HARNESS	1	3526-
	KZ-1822A		KIT, WIRE HARNESS, IGNITION CONTROL (INCLUDES ♦ ITEMS)	1	3526-
	75-1822A		♦ WIRE HARNESS, IGNITION CONTROL	1	3526-
	HM-07981		♦ NUT	1	3526-
	75-15340	1534	WIRE HARNESS, INSTRUMENT PANEL	1	2804-3581
	75-1826A		WIRE HARNESS, INSTRUMENT PANEL	1	3658-5198
	75-1826C		WIRE HARNESS, INSTRUMENT PANEL	1	5343-6003
	75-1826D		WIRE HARNESS, INSTRUMENT PANEL	1	6004-6288
	75-1826E		WIRE HARNESS, INSTRUMENT PANEL	1	6484-
	75-1827A		WIRE HARNESS, RADIATOR FAN	1	3658-3727
	75-1830A		WIRE HARNESS, RADIATOR FAN	1	3758-4033
	75-1830B		WIRE HARNESS, RADIATOR FAN	1	4102-4545
	75-1830D		WIRE HARNESS, RADIATOR FAN	1	4546-
	75-1831A		WIRE HARNESS, LOW SPEED FAN RELAY	1	3964-
	KZ-00300		KIT, IGNITION WIRES, (PLUG & COIL WIRES), 1.6 L	1	2804-3493
	KZ-00301		KIT, IGNITION WIRES, (PLUG & COIL WIRES), 1.8 L	1	3526-
	KZ-0011H		KIT TO ADD RELAY TO HI-SPEED FAN CKT	1	3526-3581
	KZ-0010A		KIT TO ADD RELAY TO LO-SPEED FAN CKT	1	3658-3817
EE	3C-11737		SENDING UNIT, ENGINE OIL PRESSURE	1	5343-
FF	3C-11730		SENDING UNIT, ENGINE TEMPERATURE	1	5343-

* ZAMBONI *
MODEL 500 PARTS LIST

GROUP 3.010 AXLE, WHEELS, TIRES, SUSPENSION



* ZAMBONI *
MODEL 500 PARTS LIST

GROUP 3.010 AXLES, DRIVE SHAFTS, WHEELS, TIRES, SUSPENSION

IND	NEW PART NO	OLD P/NO	DESCRIPTION	QTY	SERIAL NO
1	1H-16200		DRIVE SHAFT	2	2804-
2	1H-74670	7467	END YOKE, DRIVE SHAFT	2	2804-
	HD-12862	7096	FLAT WASHER, SPECIAL 7/16	2	2804-
	HA-12862	226	LOCKWASHER, 7/16	2	2804-
	HA-12014	193	SCREW, HEX, HD, 7/16-14 X 1-1/2	2	2804-
3	1L-73040	7304	U-BOLT, NUT & WASHER	4,6,8	2804-
3A	1H-74695		STRAP ASSEMBLY (ONLY FOR 60 REAR AXLE)	2	7138-
4	1F-73060	7306	SNAP-RING	8	2804-
5	1F-73050	7305	CROSS BEARING W/DUST CAP	4	2804-
6	1F-72950	7295	SLIP TUBE YOKE	2	2804-
7	1F-72970	7297	DUST CAP ASSY	2	2804-
9	1D-72920	7292	REAR AXLE ASSY, INCL HUBS, DRUMS, BRAKE ASSY	1	2804-5048
	1D-72921		REAR AXLE ASSY, INCL HUBS, DRUMS, BRAKE ASSY	1	5159-
	FD-04210		STREET ELBOW, REAR AXLE	1	6512-
10	1D-16680	1668	FRONT AXLE ASSY, INCL HUBS	1	2804-3727
10	1D-16681		FRONT AXLE ASSY, INCL HUBS	1	3758-
	FD-04210		STREET ELBOW, FRONT AXLE	1	6512-
	1K-16470	1647	U-BOLT, FRONT AXLE	4	2804-
	HA-14862	223	LOCKWASHER, 1/2	8	2804-
	HD-15981	367	NUT, SPECIAL HEX, 1/2-20	8	2804-
		7354	◆ ASSY, WHEEL & TIRE, DISH TYPE, 18 MM LUG HOLES	4	2804-2959
	1A-11660	1166	◆ ASSY, WHEEL & TIRE, FIN TYPE, 18 MM LUG HOLES	4	2960-3217
	1A-1166A		◆ ASSY, WHEEL & TIRE, FIN TYPE, 19 MM LUG HOLES	4	3218-4437
		7308	◆ WHEEL, DISH TYPE, 18 MM LUG HOLES	4	2804-2959
	1A-1166C		ASSY, WHEEL & TIRE, STEEL, CHROME	4	4539-4770
	1A-1166D		ASSY, WHEEL & TIRE, CHROME, W/NUTS	4	4539-4770
	1A-1166E		ASSY, WHEEL & TIRE, WHITE, W/NUTS	4	4539-4770
	1B-11730	1173	◆ WHEEL, FIN TYPE, 18 MM LUG HOLES	4	2960-3217
	1A-2600C		ASSY, WHEEL & TIRE, CHROME	4	4771-
	1B-1173A		◆ WHEEL, FIN TYPE, 19MM LUG HOLES	4	3218-4437
	1B-1173C		WHEEL, STEEL, CHROME	4	4539-4770
	1B-1173D		WHEEL, STEEL, WHITE	4	4539-4770
	1B-1173E		WHEEL, STEEL, CHROME, W/NUTS	4	4539-4770
	1B-1173F		WHEEL, STEEL, WHITE, W/NUTS	4	4539-4770
	1B-2600C		WHEEL, CHROME	4	4771-
	1B-41822		TIRE WITH TRACTION STUDS	4	2804-4770
	1B-51722		TIRE WITH TRACTION STUDS	4	4771-
	1B-10000	7515	STUD, TRACTION (APPRX 86 PCS PER TIRE)	AR	2804-

◆ ITEMS ARE NO LONGER AVAILABLE

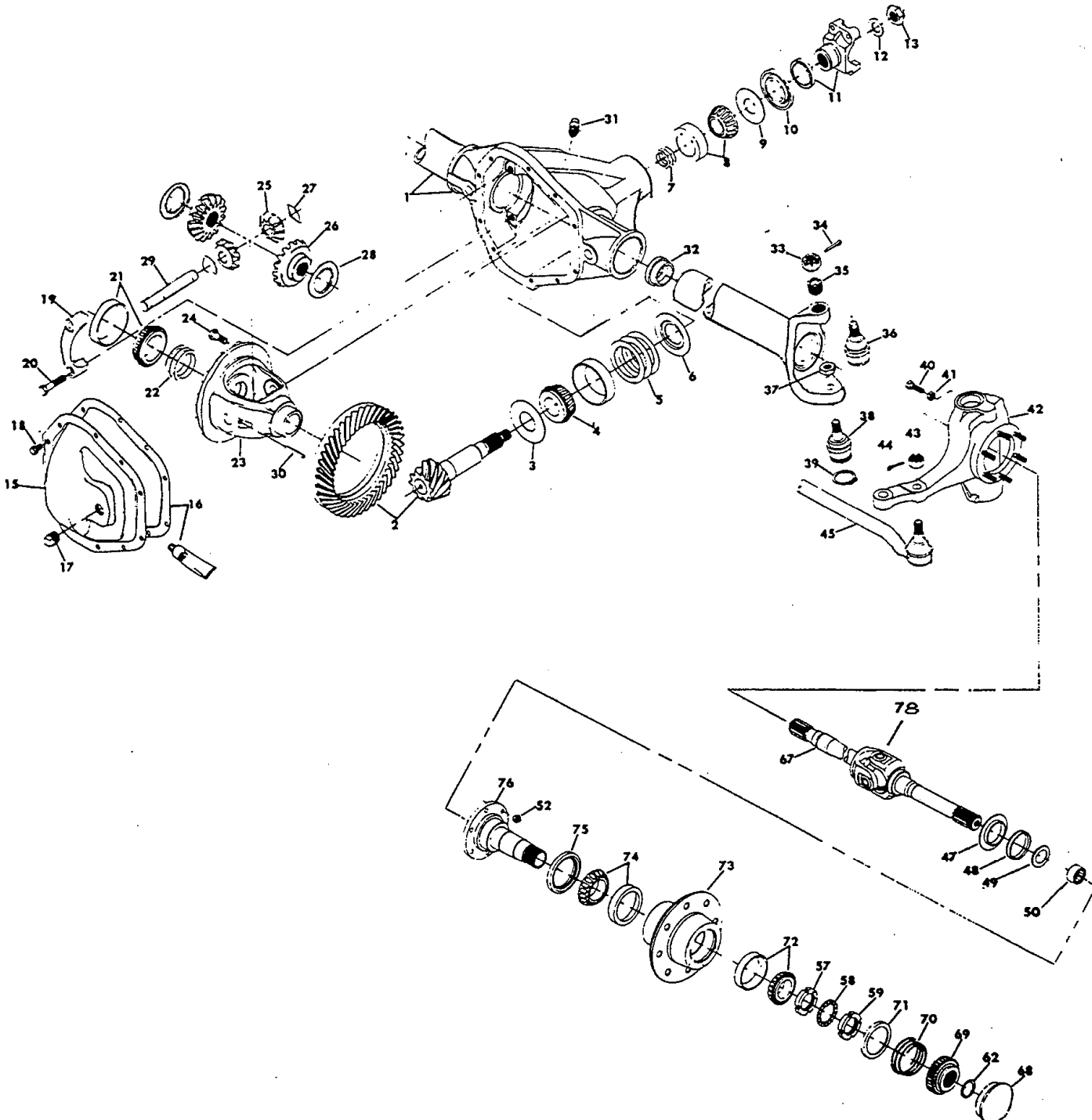
*ZAMBONI *
MODEL 500 PARTS LIST

GROUP 3.010 AXLES, DRIVE SHAFTS,WHEELS,TIRES,SUSPENSION (CON'D)

IND	NEW PART NO	OLD P/NO	DESCRIPTION	QTY	SERIAL NO
	HD-15990	7384	WHEEL NUT & WASHER,18 MM LUG HOLES	32	2804-3217
	HD-15992		WHEEL NUT & WASHER,19 MM LUG HOLES	32	3218-4437
	HD-15993		NUT, LUG, STEEL CHROME	32	4539-4770
	HD-1600C		NUT, LUG, STEEL CHROME	32	4771-
	1F-1668A		ASSY,STEERING KNUCKLE,LEFT SIDE	1	2804-
	1F-1668B		ASSY,STEERING KNUCKLE,RIGHT SIDE	1	2804-
21	1L-75100	7510	LEAF SPRING ASSY	2	2804-
22	10-40500	4050	BUSHING,SPRING SHACKLE	6	2804-
23	HA-13020	196	SCREW,HEX HD, 7/16-20 X 3	4	2804-
24	HA-13981	197	LOCKNUT,HEX,7/16-20	6	2804-
25	1M-40510	4051	STRAP,SPRING, SHACKLE	4	2804-
26	1K-73360	7336	U-BOLT	4	2804-
27	1P-73340	7334	PLATE,U-BOLT	2	2804-
28	HA-14862	223	LOCKWASHER,1/2	8	2804-
29	HD-15981	367	NUT,SPECIAL HEX,1/2-20	8	2804-
30	1V-15010	1501	CHASSIS	1	2804-
31	HA-13021	360	SCREW, HEX HD, 7/16-20 X 3-1/4	1	2804-

* ZAMBONI *
MODEL 500 PARTS LIST

GROUP 3.020 FRONT AXLE



*ZAMBONI *
MODEL 500 PARTS LIST

GROUP 3.020 FRONT AXLE

IND	NEW PART NO	OLD P/NO	DESCRIPTION	QTY	SERIAL NO
	1D-16680		AXLE, ASS'Y, FRONT, INCL. HUBS (044BA103-1)		2804-
1	* *		HOUSING-AXLE		2804-
2	*		GEAR & PINION ASS'Y-DRIVE		2804-
3	*		SLINGER PINION BEARING INNER		2804-
4	BO-5315V		KIT-INNER PINION BEARING	1	2804-
5	*		SHIM-DRIVE PINION ADJUSTING		2804-
6	*		BAFFLE-PINION BEARING		2804-
7	*		SHIM-PINION BEARING ADJUSTING		2804-
8	BO-5028V		KIT-OUTER PINION BEARING	1	2804-
9	*		SLINGER-PINION BEARING OUTER		2804-
10	2F-3250A		SEAL-PINION	1	2804-
11	1F-95515		END YOKE ASSEMBLY	1	2804-
12	HA-22861		WASHER-PINION NUT	1	2804-
13	HA-23981		NUT-PINION	1	2804-
15	1F-95540		COVER-CARRIER W/PLUG		2804-
16	1F-94460		GASKET-CARRIER COVER	1	2804-
17	FL-18210		PLUG-COVER	1	2804-
18	1F-95549		BOLT-CARRIER COVER	10	2804-
19	* *		CAP-DIFFERENTIAL BEARING		2804-
20	1F-72919		BOLT-DIFFERENTIAL BEARING CAP	4	2804-
21	BO-5255V		KIT-DIFFERENTIAL BEARING	1	2804-
22	*		SHIM-DIFFERENTIAL BEARING		2804-
23	*		CASE-DIFFERENTIAL		2804-
24	1F-72918		BOLT-DRIVE GEAR	10	2804-
25	*		PINION-DIFFERENTIAL		2804-
26	*		GEAR-DIFFERENTIAL		2804-
27	*		THRUST WASHER-DIFFERENTIAL PINION		2804-
28	*		THRUST WASHER-DIFFERENTIAL GEAR		2804-
29	*		SHAFT-DIFFERENTIAL		2804-
30	15-81620		LOCK-DIFFERENTIAL SHAFT	1	2804-
31	1F-72916		PLUG-VENT	1	2804-
32	2F-93460		SEAL & GUIDE-TUBE	2	2804-
33	HA-23985		NUT-HEX. SLOTTED	2	2804-
34	HA-52712		PIN-COTTER	2	2804-
35	1F-94470		RING-ADJUSTING SPLIT	2	2804-
36	SEE KIT H		SOCKET ASS'Y-UPPER		2804-
37	HA-23988		NUT-HEX. JAM	2	2804-
38	SEE KIT H		SOCKET ASS'Y-LOWER		2804-
39	HA-7112A		RING-SNAP	2	2804-
40	1F-72917		SCREW-STOP	2	2804-
41	HA-11982		NUT-JAM	2	2804-
42	SEE KIT F&G		KNUCKLE ASS'Y		2804-
43	HA-17985		NUT-HEX. SLOTTED	2	2804-
44	HA-57211		PIN-COTTER	2	2804-
45	4D-18970		TIE ROD ASS'Y	1	2804-
47	INCL W/#67		SLINGER-SPINDLE YOKE		2804-
48	2F-95310		SEAL-OIL, SPINDLE		2804-
49	1F-95460		SPACER-WHEEL BEARING SPINDLE		2804-
50	1X-92080		BEARING ASS'Y-NEEDLE		2804-
52	HA-11981		NUT-BRAKE MOUNTING	6	2804-
57	1F-95440		NUT & PIN ASS'Y-INNER LOCK	2	2804-

*ZAMBONI *
MODEL 500 PARTS LIST

GROUP 3.020 FRONT AXLE

IND	NEW PART NO	OLD P/NO	DESCRIPTION	QTY	SERIAL NO
58	1F-95450		LOCK-RETAINING NUT	2	2804-
59	1F-95390		NUT-WHEEL BEARING ADJUSTING	2	2804-
62	HA-7080A		RING SNAP	2	2804-
67LT	1F-95280		SHAFT & JOINT ASS'Y	1	2804-
67RT	1F-95270		SHAFT & JOINT ASS'Y	1	2804-
68	1F-95400		DUST COVER	2	2804-
69	1F-95410		GEAR-AXLE DRIVE	2	2804-
70	1F-95420		SPRING-PRESSURE	2	2804-
71	1F-95430		PLATE-SPRING RETAINING	2	2804-
72	BL-6501V		KIT-OUTER WHEEL BEARING	2	2804-
73	1F-95330		HUB-WHEEL	2	2804-
74	BL-6104V		KIT-INNER WHEEL BEARING	2	2804-
75	2F-95380		SEAL-OIL	2	2804-
76	SEE KIT D		SPINDLE-WHEEL BEARING	2	2804-
77	HD-15306		STUD, WHEEL, 1/2-20, R.H.	16	2804-
78	1F-95263		CROSS BEARING, SHAFT & JOINT ASS'Y	2	2804-

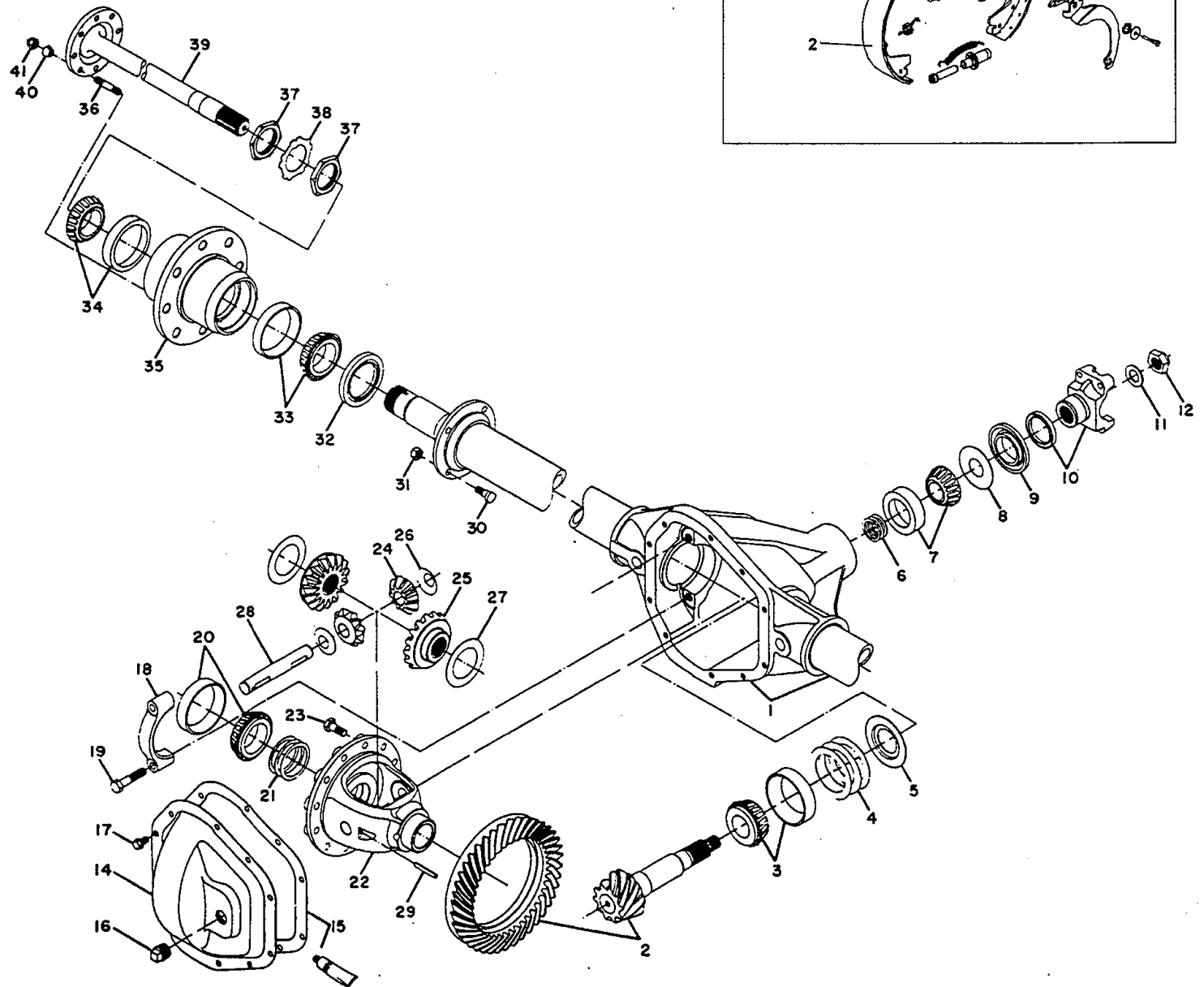
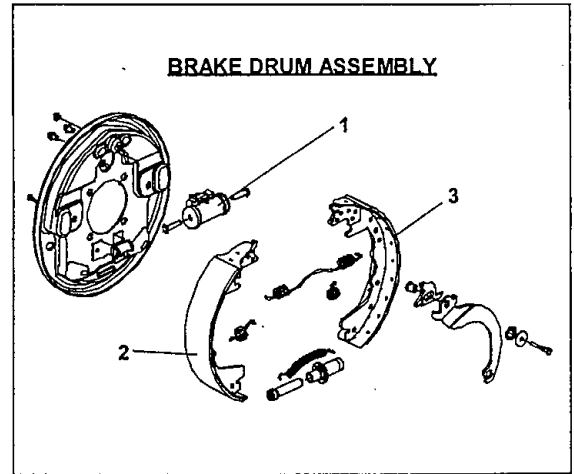
* PART NOT SERVICED INDIVIDUALLY
 * * CONSULT ZAMBONI FACTORY
 LEFT SIDE INDICATES DRIVER'S SIDE OF THE RESURFACER FOR BOTH
 FRONT AND REAR AXLES.

KIT A	1F-95060		DRIVE GEAR AND PINION ASSEMBLY (Includes Items 2,3,4,5,6,7,8,9,10,12,13,16,22,24)	1	2804-
KIT B	1F-94970		DIFFERENTIAL CASE ASSEMBLY (Includes Items 16,21,22,23,24,25,26,27,28,29,30)	1	2804-
KIT C	1F-95590		DIFFERENTIAL PARTS (Includes Items 16,24,25,26,27,28,29,30)	1	2804-
KIT D	1F-95300		WHEEL BEARING SPINDLE (Includes Items 48,49,50,76)	***	2804-
KIT F	1F-1668B		STEERING KNUCKLE - R.H. (Includes Items 33,34,35,36,37,38,39,42)	1	2804-
KIT G	1F-1668A		STEERING KNUCKLE - L.H. (Includes Items 33,34,35,36,37,38,39,42)	1	2804-
KIT H	1F-93610		SOCKET ASSEMBLY (Includes Items 33,34,35,36,37,38,39)	***	2804-

*** ONE KIT REQUIRED PER SIDE

* ZAMBONI *
MODEL 500 PARTS LIST

GROUP 3.030 REAR AXLE



*ZAMBONI *
MODEL 500 PARTS LIST

GROUP 3.030 REAR AXLE

IND	NEW PART NO	OLD P/NO	DESCRIPTION	QTY	SERIAL NO
1	1D-72920	7292	AXLE ASS'Y W/HUB, DRUM & BRAKE	1	2804-5048
1	1D-72921		AXLE ASS'Y W/HUB, DRUM & BRAKE	1	5159-
2	9493		RING & PINION	1	2804-
3	BH-6803V	9516	INNER PINION BEARING KIT	1	2804-
4	9480		SHIM SET	1	2804-
5	1F-7292C		BAFFLE	1	2804-
6	1F-7292A		SHIM SET	1	2804-
7	BH-5885V	9455	OUTER PINION BEARING KIT	1	2804--
8	1F-7292B		SLINGER	1	2804-
9	2F-3015A	9422	PINION SEAL	1	2804-
10	9552		END YOKE ASSEMBLY	1	2804-7137
	1F-95525		END YOKE ASSEMBLY	1	7138-
11	NPN		WASHER	1	2804-
12	HA-27988		NUT	1	2804-
14	9548		COVER	1	2804-
15	9477		GASKET DIFFERENTIAL COVER	1	2804-
16	NPN		DRAIN PLUG	1	2804-
17	NPN		CARRIER COVER BOLT	10	2804-
18-29	9492		CARRIER ASSEMBLY	1	2804-
23-29	9557		SPIDER GEARS	1	2804-
20	BO-3387V	9517	RACES & BEARINGS FOR CASE	1	2804-
21	9479		CARRIER SHIM KIT	1	2804-
30	NPN		BOLT	4	2804-
31	NPN		NUT	4	2804-
32	2F-4258A	9515	SEAL	1	2804-
33	BO-3370V		INNER WHEEL BEARING KIT	2	2804-
34	BO-3359V		OUTER WHEEL BEARING KIT	2	2804-
35	9498		HUB & DRUM ASSEMBLY	11	2804-
36	1F-6001A		STUD	16	2804-
37	9442		NUT BEARING ADJUSTMENT	4	2804-
38	9445		LOCKWASHER	2	2804-
39	9342		AXLE SHAFT LH & RH	2	2804-
40	9553		ADAPTER, STUD	16	2804-
41	1F-6002A		LOCKNUT	16	2804-
N/S	9512		FLANGE GASKET	2	2804-
	1F-6000A		LUG STUD	16	2804-4537
	1F-6000B		LUG STUD	16	4574-

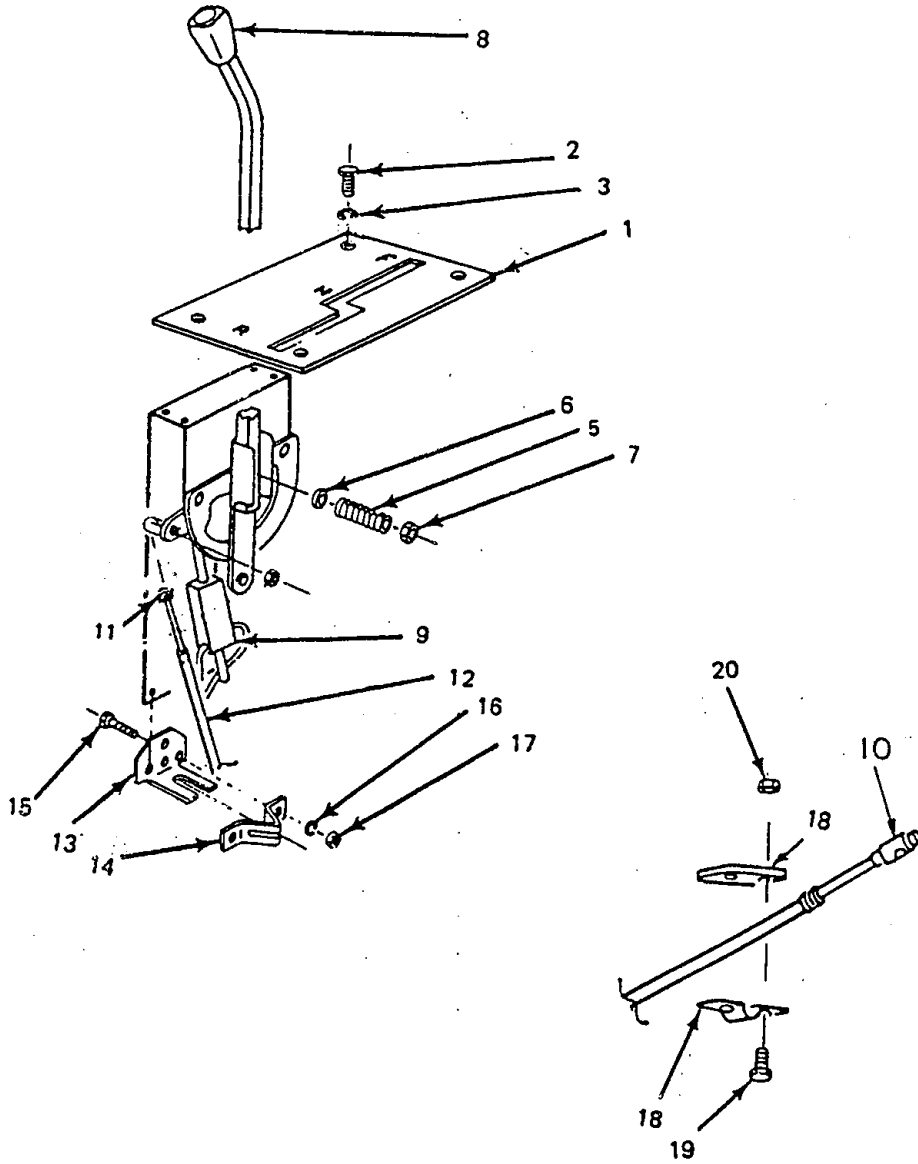
N/S = NOT SHOWN

BRAKE DRUM ASSEMBLY

	1J-0552A	1	BRAKE DRUM ASSEMBLY, LH
	1J-0552B	1	BRAKE DRUM ASSEMBLY, RH
1	1J-7292L	1	WHEEL CYLINDER, LEFT WHEEL
	1J-7292R	1	WHEEL CYLINDER, RIGHT WHEEL
2&3	1J-7292B	2	BRAKE SHOE SET

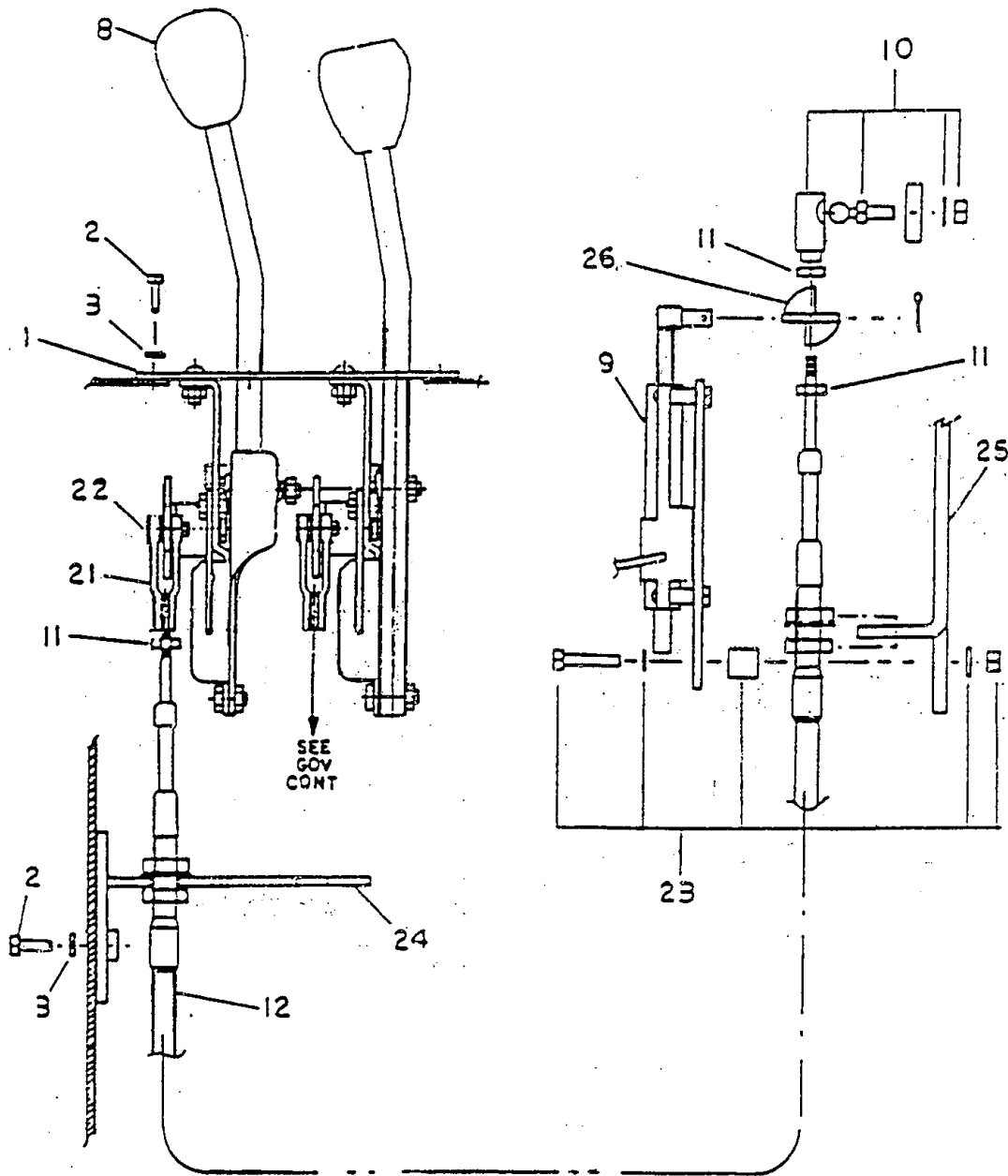
* ZAMBONI *
MODEL 500 PARTS LIST

GROUP 4.010 HYDROSTAT CONTROL SERIAL NUMBER 2804-3493



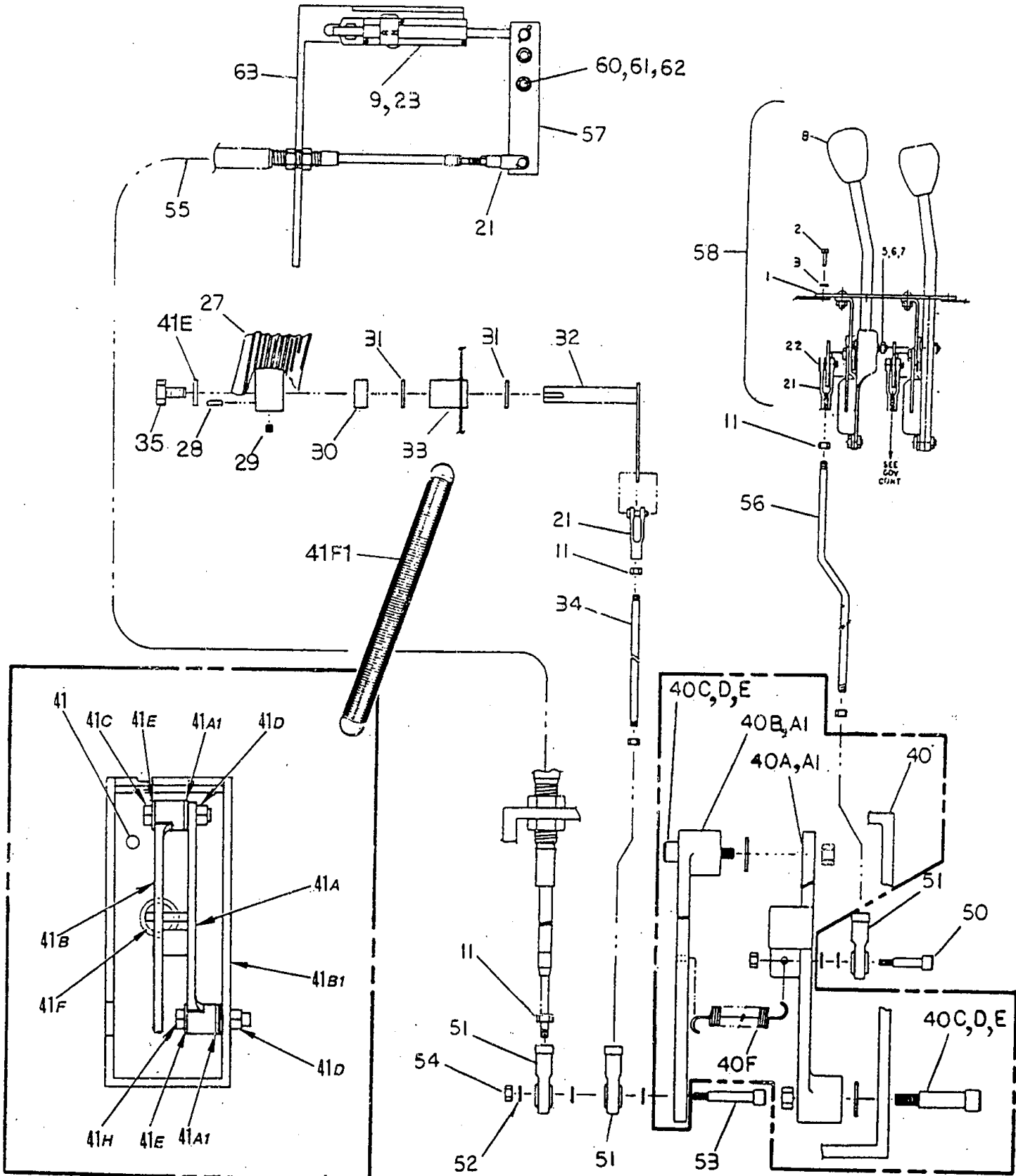
* ZAMBONI *
MODEL 500 PARTS LIST

GROUP 4.010 HYDROSTAT CONTROL SERIAL NUMBER 3526-3581



* ZAMBONI *
MODEL 500 PARTS LIST

GROUP 4.010 HYDROSTAT CONTROL SERIAL NUMBER 3658-



4539-

3658-4437

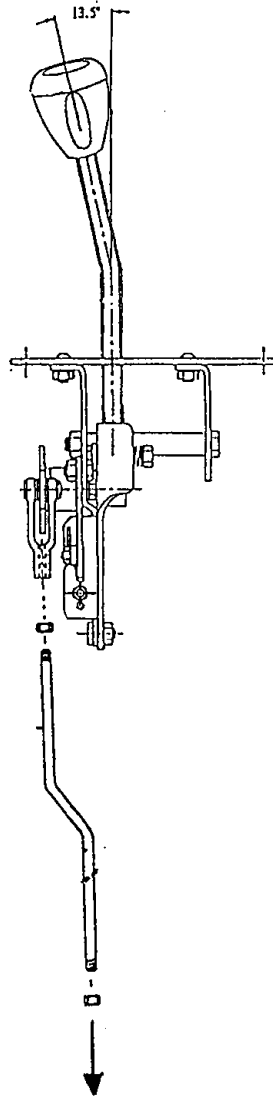
* ZAMBONI *
MODEL 500 PARTS LIST

GROUP 4.010 HYDROSTAT CONTROL

IND	NEW PART NO	OLD P/NO	DESCRIPTION	QTY	SERIAL NO
	35-18650	1895	CONTROL ASSEMBLY,SINGLE INCL ALL SHOWN EXCEPT 10,11,12,18,19,20	1	2804-3493
	32-0510A		CONTROL ASSEMBLY,DUAL INCLUDES 1,8,21	1	3526-3581
1	32-1895P	7963	PLATE,SHIFT	1	2804-3493
1	32-0510P		PLATE, DUAL SHIFT	1	3526-
2	HA-06006	221	SCREW,HEX HD, 1/4-20 X 1/2	4,6	2804-
3	HA-06862	225	LOCKWASHER,1/4	4,6	2804-
	HA-06985		NUT-INSERT, 1/4-20	4	5343-5377
5	1L-79670	7967	SPRING,SHIFT LEVER	1	2804-
6	HD-0686B	7968	WASHER,SHIFT LEVER SPRING	1	2804-
7	HA-07981	449	NUT,HEX,1/4-28	1	2804-
8	4B-79640	7964	KNOB,SHIFT LEVER	1	2804-
9	7P-7962A		SWITCH,NEUTRAL START	1	2804-
10	4J-42940	4294	BALL JOINT SET	1	2804-
11	HA-04980	307	NUT,HEX,10-32	2,6	2804-
12	33-18260	1826	CABLE,CONTROL	1	2804-3493
	33-0501A		CABLE,CONTROL	1	3526-3581
13	5T-79650	7965	BRACKET,CABLE CLAMP	1	2804-3493
14	27-79660	7966	CLAMP,CONTROL CABLE	1	2804-3493
15	HA-06013	271	SCREW,FILLISTER HEAD,1/4-20 X 1-1/4	2	2804-3493
16	HA-06863	316	LOCKWASHER,1/4	2	2804-3493
17	HA-06009	173	NUT,HEX,1/4-20	2	2804-3493
18	27-42920	4292	CLAMP,CABLE	1	2804-3493
19	HA-04709	322	SCREW,HEX HD,10-32 X 3/4	2	2804-3493
20	HA-04981	290	LOCKNUT,HEX,10-32	2	2804-3493
21	36-0510A		CLEVIS YOKE & PIN ASSY	1,4	3526-
22	HA-61222		CLEVIS PIN	1,4	3526-
23	32-05010		HARDWARE KIT,NEUTRAL SWITCH MOUNTING	1	3526-
24	32-0512A		BRACKET,CABLE MOUNTING	1	3526-
25	32-0511A		BRACKET,CABLE MOUNTING	1	3526-
26	1M-05100		TWISTED STRAP	1	3526-3581
27	4M-05001		FOOT PEDAL	1	3658-
28	15-01100		KEY,3/16 SQUARE X 1	1	3658-
29	HD-0840F		SET SCREW	1	3658-
30	11-2424C		COLLAR	1	3658-
31	1X-05000		THRUST BEARING	2	3658-
32	39-06000		SHAFT & LEVER WELDMENT	1	3658-4437
	39-06005		SHAFT & LEVER WELDMENT	1	4539-
33	5T-0600A		BRACKET,CONTROL MOUNTING	1	3658-
34	4E-06002		CONTROL ROD	1	3658-
35	HA-08009		SCREW, HEX HD, 5/16-18 X 3/4	1	4539-

* ZAMBONI *
MODEL 500 PARTS LIST

GROUP 4.010 HYDROSTAT CONTROL SERIAL NUMBER 6864-
(Used on machines equipped with the electronic governor)



To Autostat Assembly

* ZAMBONI *
MODEL 500 PARTS LIST

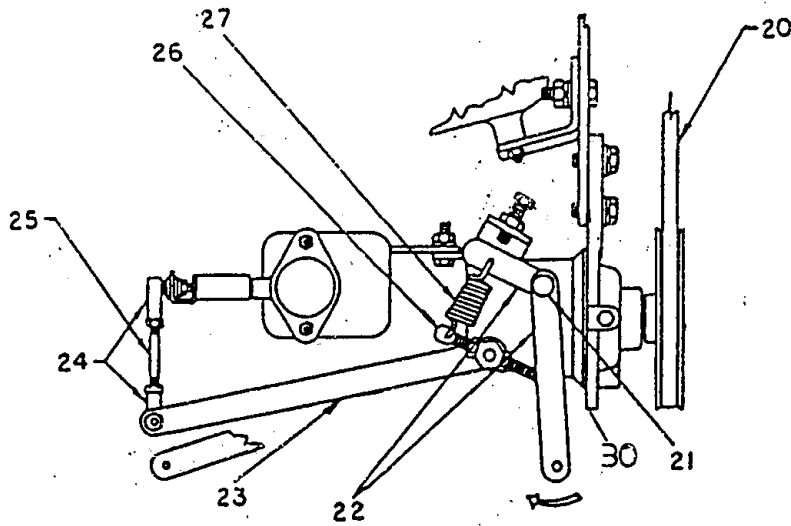
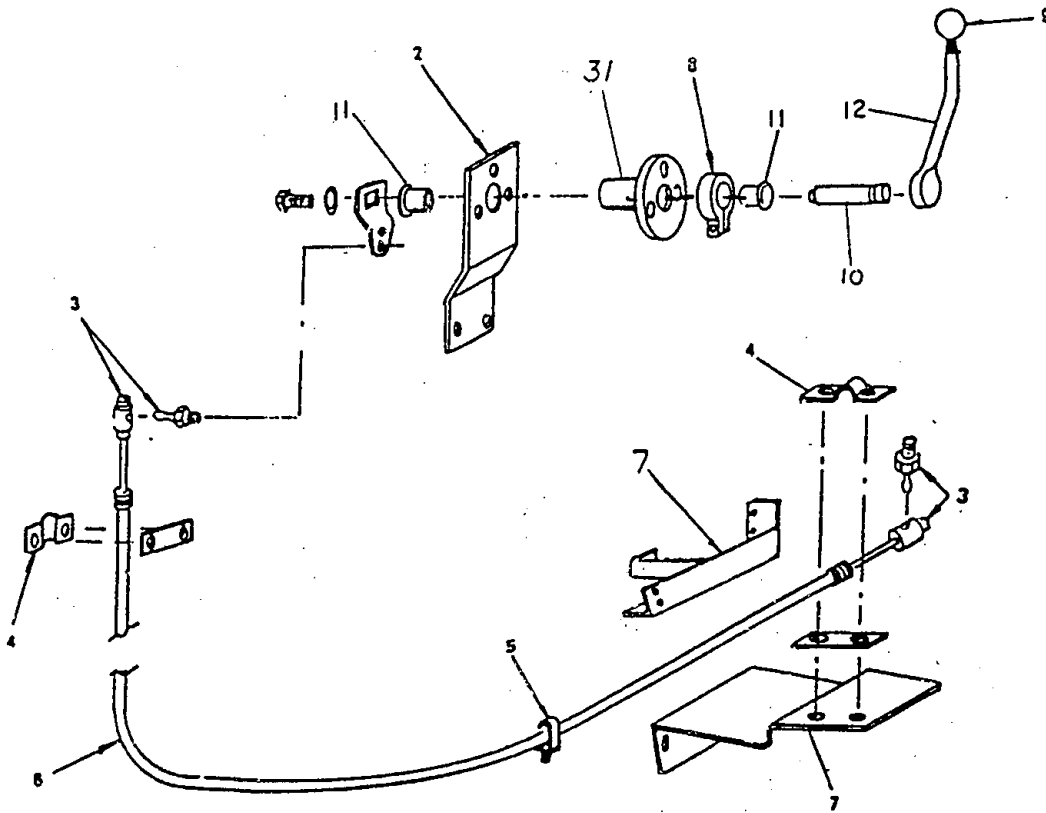
GROUP 4.010 HYDROSTAT CONTROL (CONT'D)

IND	NEW PART NO	OLD P/NO	DESCRIPTION	QTY	SERIAL NO
40	32-0586A		CONTROL ASSY (INCLUDES ALL 40--ITEMS)	1	3658-4437
40A	32-0586R		ARM & BEARING ASSY (INCLUDES 40A1)	1	3658-4437
40A1	1X-0614A		BEARING	4	3658-4437
40B	32-0586T		ARM & BEARING ASSY (INCLUDES 40A1)	1	3658-4437
40C	HH-00380		SHOULDER SCREW	2	3658-4437
40D	HA-08981		LOCKNUT,5/16-18	2	3658-4437
40E	HA-10861		FLATWASHER,3/8	2	3658-4437
40F	1L-3083A		SPRING	1	3658-4437
41	32-05000		AUTOSTAT ASSY (INCLUDES ALL 41--ITEMS)	1	4539-
41A	32-0500A		RIGHT LEVER ARM	1	4539-
41A1	10-0520A		BUSHING	1	4539-
41B	32-0500B		LEFT LEVER ARM	1	4539-
41B1	32-0500C		FRAME WELDMENT	1	4539-
41C	HA-11015		SCREW, HEX HD, 3/8-24 X 1-3/4	1	4539-
41D	HA-11980		NUT, HEX, 3/8-24	2	4539-
41E	HA-08860		WASHER, FLAT, 5/16	3	4539-
41F	1L-0520B		SPRING, EXT	1	4539-
41F1	1L-0520A		SPRING, EXT	1	4539-
41H	HA-11016		SCREW, HEX HD, 3/8-24 X 2	1	4539-
50	HH-00040		SHOULDER SCREW	1	3658-
51	4J-04030		ROD END	3	3658-
52	HA-03867		FLATWASHER	5	3658-
53	HH-00064		SHOULDER SCREW	1	3658-
54	HA-02981		LOCKNUT	2	3658-
55	33-0503A		CABLE	1	3658-
56	4E-06001		CONTROL ROD	1	3658-
57	39-07000		LEVER,SWASH PLATE CONTROL	1	3658-
58	32-0587A		ASSY,DUAL HAND LEVER CONTROL	1	3658-4623
	32-0587B		ASSY,DUAL HAND LEVER CONTROL	1	4732-4781
	32-0588A		ASSY, DUAL HAND LEVER CONTROL	1	5009-6864
	32-06000		ASSY, SINGLE HAND LEVER CONTROL (Used w/electronic governor)	1	6864-
60	HA-10009		SCREW,HEX HD,3/8-16 X 3/4	2	3658-
61	HA-10862		LOCKWASHER,3/8	2	3658-
62	HA-10980		HEX NUT, 3/8-16	2	3658-
63	5T-00500		BRACKET,CABLE & NEUTRAL SWITCH MNTG	1	3658-

* ZAMBONI *
MODEL 500 PARTS LIST

GROUP 4.020 MECHANICAL GOVERNOR CONTROL & GOVERNOR

SERIAL NUMBER 2804-3493



* ZAMBONI *
MODEL 500 PARTS LIST

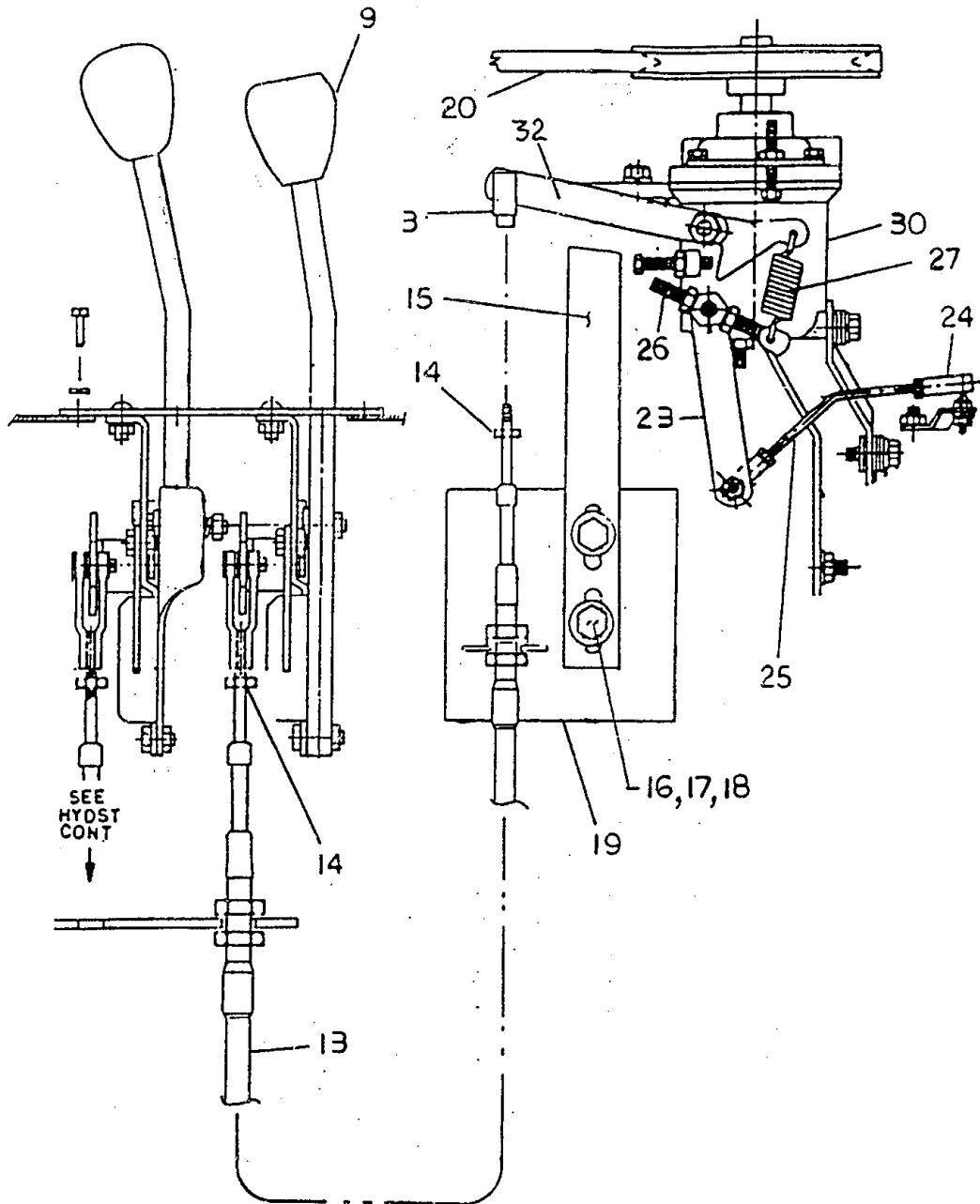
GROUP 4.020 MECHANICAL GOVERNOR CONTROL & GOVERNOR

IND	NEW PART NO	OLD P/NO	DESCRIPTION	QTY	SERIAL NO
<u>MECHANICAL GOVERNOR</u>					
1	32-18180	1818	ASSY, GOVERNOR CONTROL, 1.6 L INCLUDES ITEMS 8,9,11,12,31	1 1	2804-3493 2804-3493
			FOR DUAL CONTROL, SEE HYDROSTAT CONTROL GROUP		3526-6864
	HA-04609	419	SCREW, FLAT HEAD, 10-32 X 3/4	3	2804-3493
	HA-04981	290	LOCKNUT, HEX, 10-32	3	2804-3493
2	3H-18870	1887	BRACKET, GOVERNOR CONTROL, UPPER	1	2804-3493
3	4J-42940	4294	BALL JOINT SET	2	2804-3493
3	4J-42940		BALL JOINT SET	1	3526-
4	27-42920	4292	CLAMP, CABLE	2	2804-3493
5	33-18200	1820	ASSY, CABLE BRAKE	1	2804-3493
6	33-18190	1819	CABLE, GOVERNOR CONTROL	1	2804-3493
7		1875	BRACKET, GOVERNOR CONTROL, LOWER	1	2804-3056
7	5T-50050		BRACKET, GOVERNOR CONTROL, LOWER	1	3057-3493
	HA-06016	325	SCREW, HEX HEAD, 1/4-20 X 2	1	2804-3056
	HA-06009	221	SCREW, HEX HEAD, 1/4-20 X 3/4	1	2804-3056
	HA-07981	449	LOCKNUT, HEX, 1/4-20	2	2804-3493
	HA-06980	173	NUT, HEX, 1/4-20	2	2804-3493
8	32-18184	1214	BAND, CONTROL BRAKE	1	2804-3493
9	32-18183	1200	KNOB, GOVERNOR CONTROL	1	2804-3493
9	4B-79640		KNOB, THROTTLE CONTROL LEVER	1	3526-6864
10	32-18185		SHAFT, GOVERNOR CONTROL	1	2804-3493
11	32-18181		BEARING, GOVERNOR CONTROL, SHAFT	2	2804-3493
12	32-18182		HAND LEVER, GOVERNOR CONTROL	1	2804-3493
13	33-0502A		CABLE, GOVERNOR CONTROL	1	3526-
14	HA-04980		NUT, HEX, 10-32	2	3526-
15	3H-05003		ARM LEVER STOP	1	3526-
16	HA-08009		SCREW, HEX HD, 5/16-18 X 3/4	2	3526-
17	HA-08860		FLATWASHER, 5/16	2	3526-
18	HA-08981		NUT, HEXLOCK, 5/16-18	2	3526-
19	3H-05000		BRACKET, GOVERNOR CABLE, MOUNTING	1	3526-
20	42-12170	1217	BELT, GOVERNOR DRIVE	1	2804-3493
20	42-12180		BELT, GOVERNOR DRIVE	1	3526-
21	3H-1914E		PIVOT BOLT	1	2804-3493
22	3H-1914H		ASSY, SPEED LEVER	1	2804-3493
23	3H-1914B		THROTTLE LEVER, WITH 4 INCH OFFSET	1	2804-3493
23	3H-1914C		THROTTLE LEVER, WITHOUT 4 INCH OFFSET	1	2804-3493
23	3H-0500L		THROTTLE LEVER	1	3526-
24	4J-51990	5199	BALL JOINT SET	2	2804-3493
24	4J-42940		BALL JOINT SET	2	3526-

* ZAMBONI *
MODEL 500 PARTS LIST

GROUP 4.020 MECHANICAL GOVERNOR CONTROL & GOVERNOR

SERIAL NUMBER 3526-



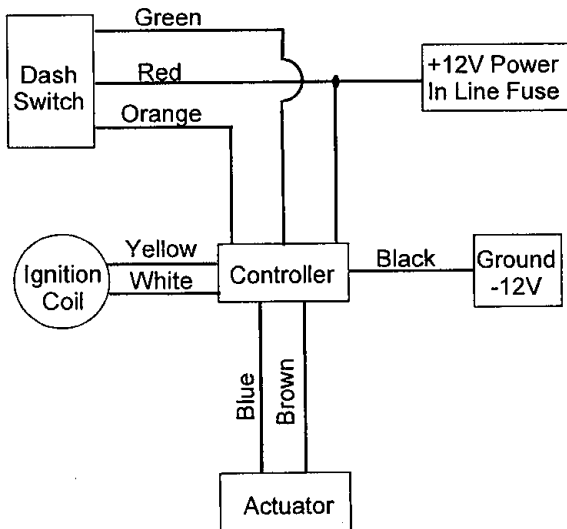
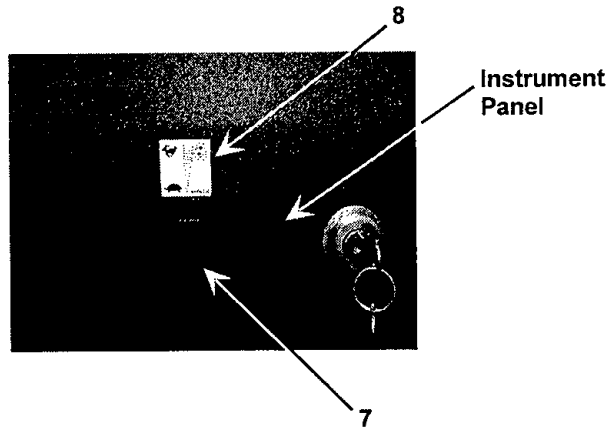
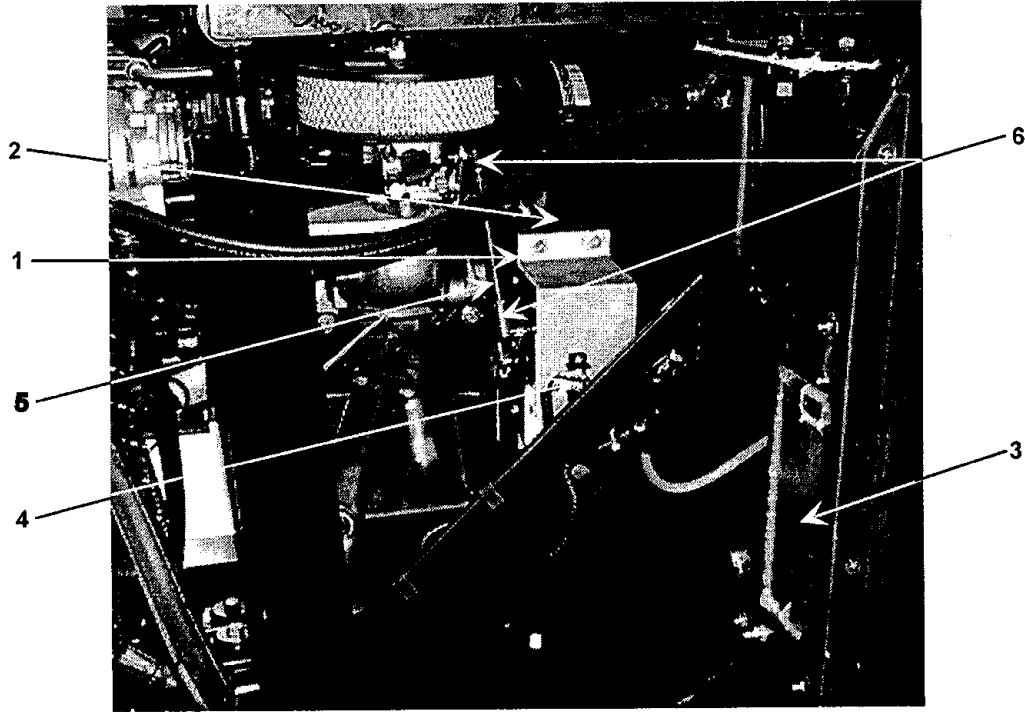
* ZAMBONI *
MODEL 500 PARTS LIST

GROUP 4.020 MECHANICAL GOVERNOR CONTROL & GOVERNOR (CONT'D)

IND	NEW PART NO	OLD P/NO	DESCRIPTION	QTY	SERIAL NO
25	3H-1914A		THROTTLE ROD	1	2804-3493
25	3H-0500R		THROTTLE ROD	1	3526-
26	3H-1914F		EYE BOLT	1	2804-
27	3H-1914D		SPRING (RED)	1	2804-3493
27	3H-0500D		SPRING (GREEN)	1	3526-
30	3H-19140	1914	GOVERNOR ASSY, LESS MOUNTING HDWE	1	2804-3493
	KV-19150	1915	KIT, GOVERNOR MOUNTING HDWE	1	2804-3493
	KZ-0050A		KIT, GOVERNOR REBUILD, 1.6 L ENG	1	2804-3493
30	3H-0500A		GOVERNOR ASSY, LESS MOUNTING HDWE	1	3526-
31	32-18186		HOUSING, GOVERNOR CONTROL (INCL W/ASSY)	1	2804-3493
32	3H-0500B		SPEED ADJ. LEVER ASSY	1	2804-
	KV-05000		KIT, GOVERNOR MOUNTING HDWE, 1.8 L	1	3526-

* ZAMBONI *
MODEL 500 PARTS LIST

GROUP 4.020 ELECTRONIC GOVERNOR CONTROL & GOVERNOR SERIAL NUMBER 6864-



Wire Color	Function/Location
Yellow	RPM / Ignition Coil
White	RPM / Ignition Coil
Red	+12V
Black	-12V
Blue	Actuator
Brown	Actuator
Orange	Ramp Down / Switch
Green	Ramp Up / Switch

• ZAMBONI *
MODEL 500 PARTS LIST

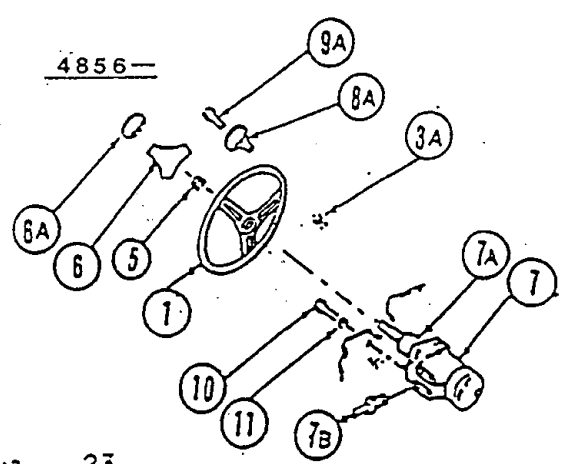
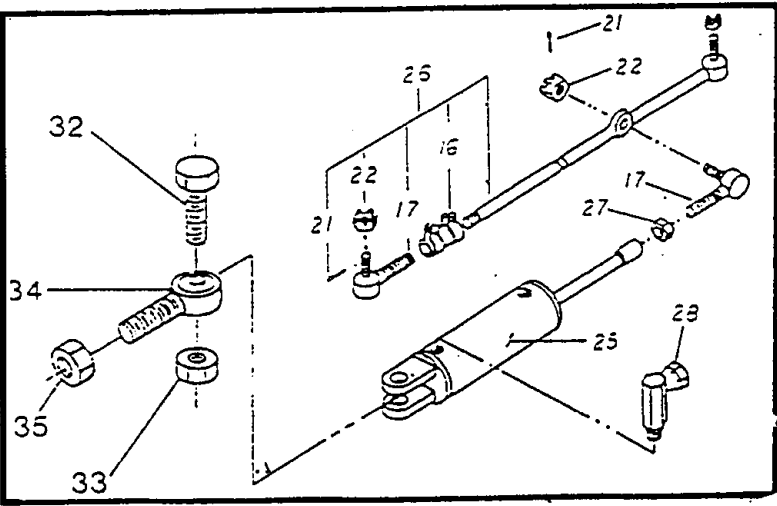
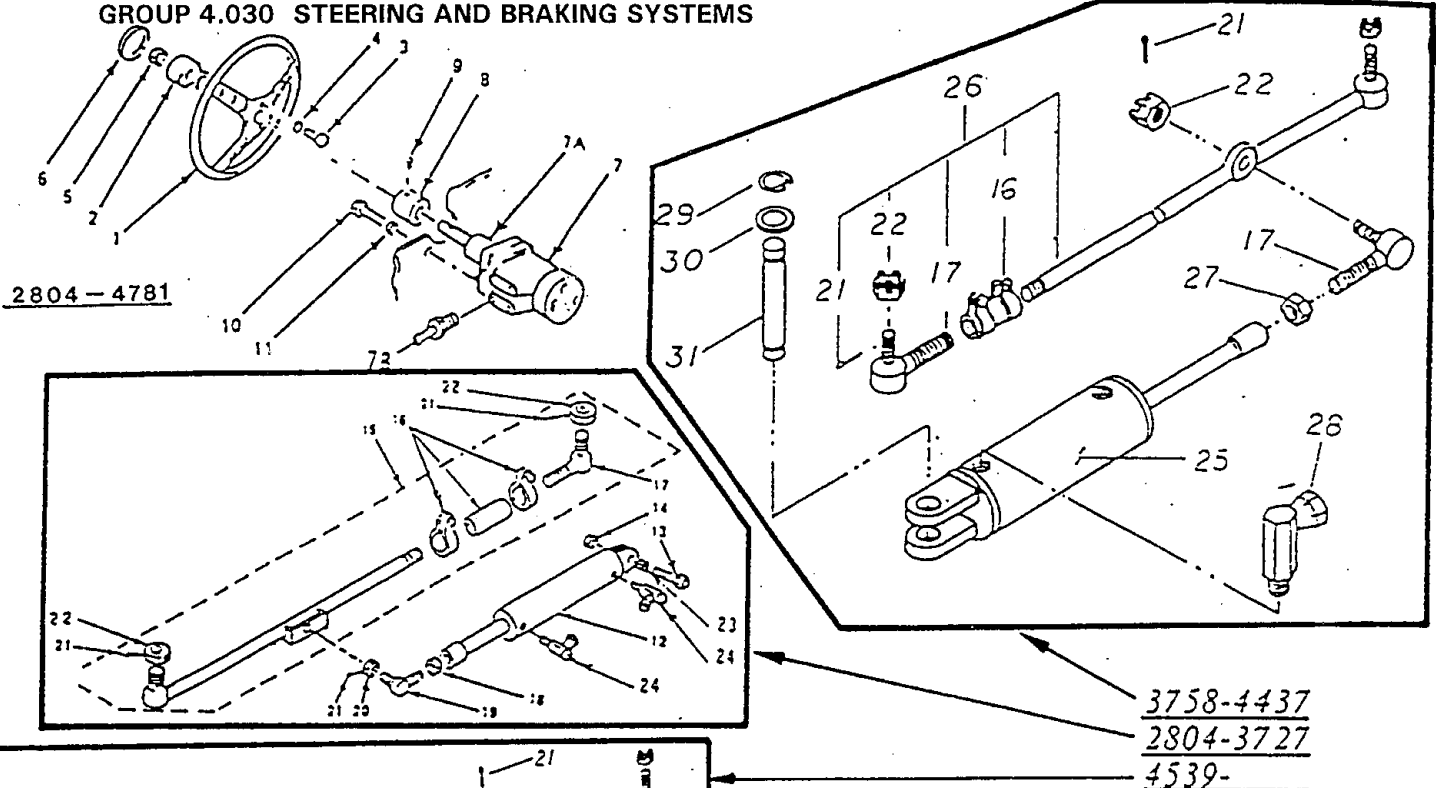
GROUP 4.020 ELECTRONIC GOVERNOR CONTROL & GOVERNOR

IND	NEW PART NO	OLD P/NO	DESCRIPTION	QTY	SERIAL NO
<u>ELECTRONIC GOVERNOR (6864-)</u>					
1	3H-06000		ACTUATOR, ELECTRONIC GOVERNOR	1	6864-
	3H-0600R		ACTUATOR, REBUILT	1	6864-
	3H-0600S		SHAFT, GOVERNOR ACTUATOR	1	6864-
	1X-06000		BEARING, GOVERNOR ACTUATOR	2	6864-
	HA-06013		SCREW HX HD, ¼-20X1-¼	4	6864-
	HA-06862		LOCKWASHER, ¼	4	6864-
	HA-06861		WASHER, ¼	4	6864-
	HA-06980		NUT, HEX, ¼	4	6864-
	3C-05254		GROMMET, RUBBER	4	6864-
2	3H-06215		BRACKET, MOUNTING, ACTUATOR	1	6864-
	HA-10014		SCREW, HEX HD, 3/8-16 X 1-¼	2	6864-
	HA-10862		LOCKWASHER, 3/8	2	6864-
	HA-10862		WASHER, 3/8	2	6864-
3	3H-06012		CONTROLLER, DIGITAL, ELECTRONIC GOVERNOR	1	6864-
	HA-06009		SCREW, HEX HD, ¼-20 X 3	3	6864-
	HA-06862		LOCKWASHER, ¼-20	3	6864-
	HA-06861		WASHER, ¼-20	6	6864-
	HA-06980		NUT, HEX, ¼-20	3	6864-
4	75-06200		LOOM, ELECTRONIC GOVERNOR	1	6864-
5	3H-06143		ROD, THROTTLE, ELECTRONIC GOVERNOR	1	6864-
6	4J-42940		BALL JOINT SET	2	6864-
7	7P-77365		SWITCH, ELECTRONIC GOVERNOR	1	6864-
8	81-06200		NAMEPLATE, ELECTRONIC GOVERNOR	1	6864-

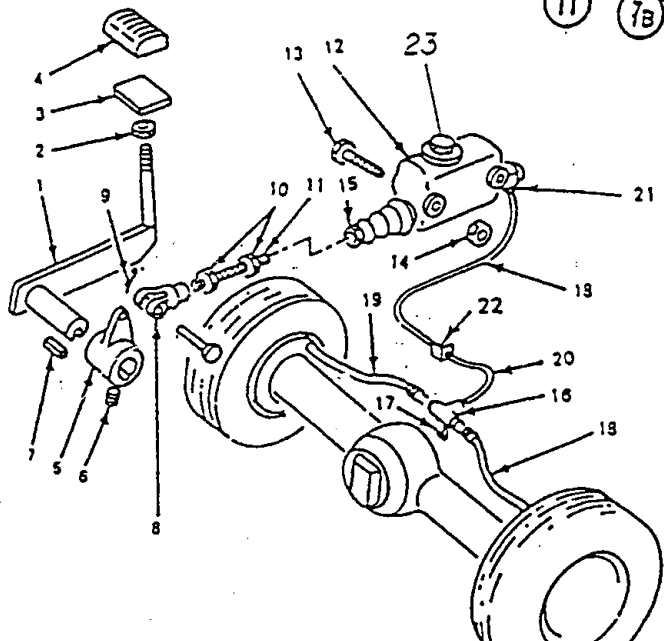
Note: Machines with serial numbers 7000, 7001 are equipped with a mechanical governor.

* ZAMBONI *
MODEL 500 PARTS LIST

GROUP 4.030 STEERING AND BRAKING SYSTEMS



2804-4437
FOR 4539-
SEE NEXT PAGE



* ZAMBONI *
MODEL 500 PARTS LIST

GROUP 4.030 STEERING & BRAKING SYSTEMS

IND	NEW PART NO	OLD P/NO	DESCRIPTION	QTY	SERIAL NO
1	4C-77430	7743	STEERING WHEEL	1	2804-4781
	KZ-77430		KIT, STEERING WHEEL REPLACEMENT		2804-4781
	4C-05205		STEERING WHEEL	1	4856-
2	4C-77460	7746	HUB,STEERING WHEEL	1	2804-4781
3	HA-06006	214	SCREW,HEX HED,1/4-20 X 1/2	3	2804-4781
3A	HA-08981		LOCKNUT, 5/16-18	1	4856-
4	HA-06863	225	LOCKWASHER, 1/4	3	2804-4781
	HA-10009		SCREW, HEX HD, 3/8 X 3/4	2	4856-
5	HA-23988	300	LOCKNUT,HEX THIN PATTERN,3/4-16	1	2804-4781
	HA-24982		NUT, STEERING WHEEL	1	4856-
6	7D-77440	7744	CAP,STEERING WHEEL HUB	1	2804-4781
	4C-05201		CAP, STEERING WHEEL	1	4856-
6A	81-79700		DECAL, SNOW FLAKE	1	4856-
7	4C-79960	7996	CONTROL,POWER STEERING	1	2804-3337
	4C-0500A		CONTROL,POWER STEERING	1	3338-
	KZ-3763A	3763	SEAL KIT (FOR 4C-79960 ONLY)		2809-3337
	KZ-3763B		SEAL KIT (FOR 4C-0500A ONLY)		3338-
7A	4C-79970	7997	COLUMN, STEERING CONTROL	1	2804-4781
	4C-79980		COLUMN, STEERING CONTROL	1	4856-
7B	F1-64330	975	ADAPTER,STRAIGHT,08MF X 06FS	4	2804-3337
7B	F1-64330		ADAPTER,STRAIGHT,06MB X 06FS	4	3338-6864
7B	F1-75030		ADAPTER,ELBOW 45°,06MB X 06FS	4	6989-
8	4C-77450	7745	SLEEVE,STEERING CONTROL COLUMN	1	2804-4781
8A	4C-05202		KNOB	1	4856-
9	HD-0840F	311	SET SCREW,SOCKET HEAD,5/16- 18 X 3/8	1	2804-4781
9A	HA-08017		BOLT, 5/16-19 X 2-1/4	1	4856-
10	HA-10013	251	SCREW,HEX HD,3/8-16 X 1-1/4	2	2804-
11	HA-10862	228	LOCKWASHER,3/8	2	2804-
12	2X-79390	7939	HYDRAULIC CYLINDER,POWER STEERING	1	2804-3727
13	HD-1661C	409	SCREW,HEX HD,WITH GREASE FITTING	1	2804-3727
14	HA-16986	306	LOCKNUT,HEX,9/16-12	1	2804-3727
15	4D-18970	1897	TIE ROD ASSY (INCLUDES 15,16,17,21,22)	1	2804-3727
16	4D-01000		SLEEVE & CLAMP ASSY, TIE ROD	1	2804-
17	4J-01000		ROD END,LEFT HAND THREAD	1,2	2804-
18	HD-21981	301	NUT,SPECIAL HEX,11/16-18	1	2804-3727
19	4J-40740	4074	ROD END,RIGHT HAND THREAD	1	2804-3727
20	HA-15985	236	NUT,HEX SLOTTED,1/2-20	2	2804-3727
21	HA-52711	233	COTTER PIN,1/8 X 1	2,3	2804-
22	HA-17985		NUT,HEX SLOTTED,9/16-18	2,3	2804-
23	10-1806V		BUSHING,9/16 BORE X 3/8 LONG	1	2804-3727
24	F2-69040	954	ADAPTER,90 ELBOW,04MP X 04FS	2	2804-3727
25	2X-2008A		CYLINDER,HYDRAULIC, 2 X 8	1	3758-4437
25	2X-2008B		CYLINDER, HYDRAULIC, 2 X 8	1	4539-
25A	2X-2008K		SEAL KIT FOR 2X-2008A CYLINDER	1	3758-

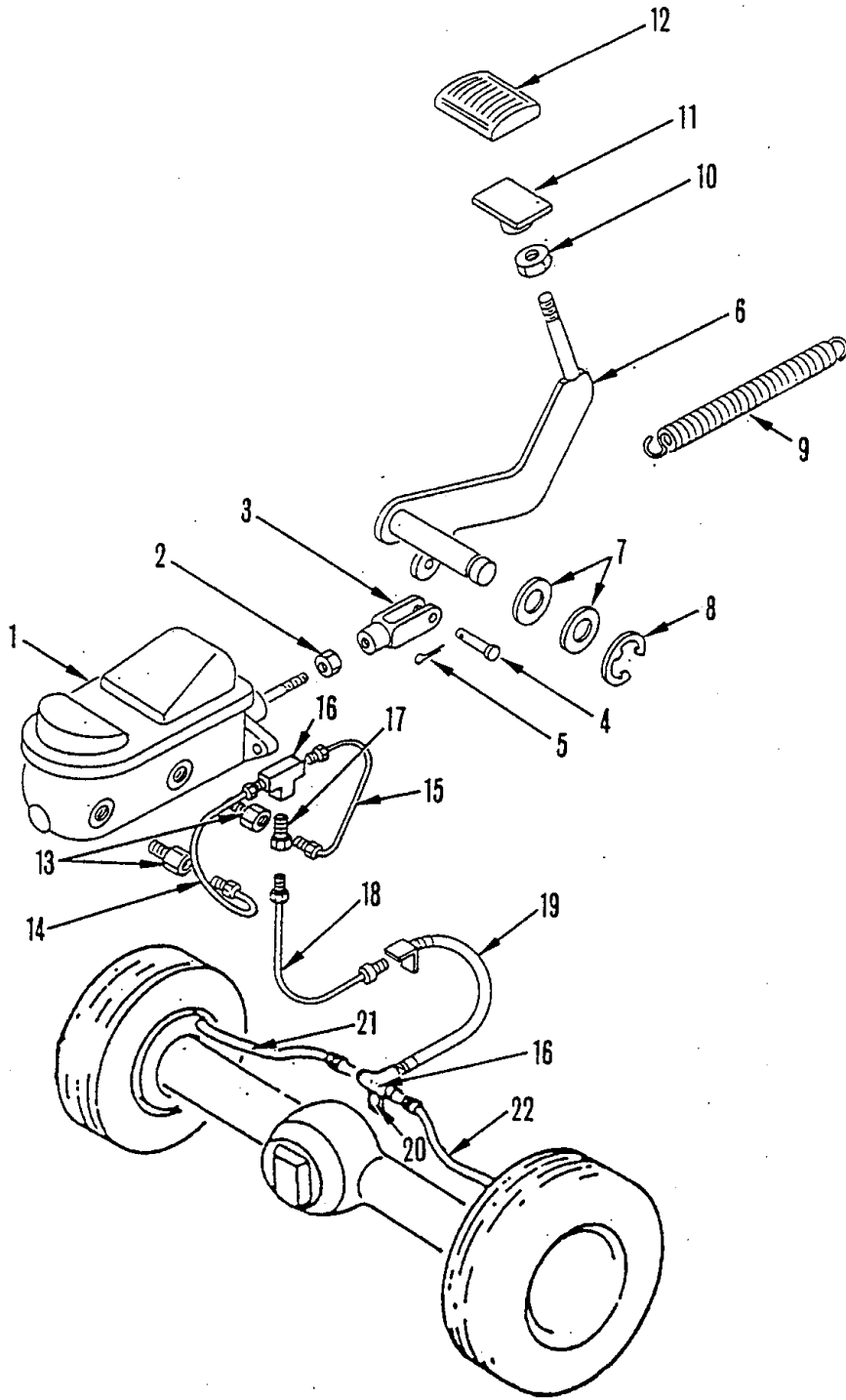
* ZAMBONI *
MODEL 500 PARTS LIST

GROUP 4.030 STEERING & BRAKING SYSTEMS (CONT'D)

IND	NEW PART NO	OLD P/NO	DESCRIPTION	QTY	SERIAL NO
26	4D-18971		TIE ROD (INCLUDES 16,17,21,22)	1	3758-
27	HD-56981		HEX NUT,LEFT HAND THREAD,7/8-18	1	3758-
28	F2-69050		90 DEG ELBOW, 06MP X 04FS	2	3758-
29	HA-7064A		RETAINING RING	2	3758-4437
30	HA-30861		FLATWASHER, 1	2	3758-4437
31	16-70560		PIVOT PIN, 1	1	3758-4437
32	HA-18018		SCREW, HEX HD, 5/8-11 X 2-1/2	1	4539-
33	HA-18986		NUT, FLEXLOCK, HEX, 5/8-11	1	4539-
34	4J-04040		ROD END, MALE, TWO PIECE, 5/8-18	1	4539-
35	HA-19982		NUT, HEX, THIN, 5/8-18	1	4539-

* ZAMBONI *
MODEL 500 PARTS LIST

GROUP 4.030 STEERING AND BRAKING SYSTEMS



* ZAMBONI *
MODEL 500 PARTS LIST

GROUP 4.030 STEERING & BRAKING SYSTEMS (CONT'D)

IND	NEW PART NO	OLD P/NO	DESCRIPTION	QTY	SERIAL NO
<u>BRAKING SYSTEM</u>					
1	4F-34120	3412	ARM,BRAKE PEDAL	1	2804-4437
2	HA-18982	140	NUT,HEX,THIN PATTERN,5/8-11	1	2804-4437
3	4M-40480	4048	PEDAL,BRAKE,WITHOUT COVER	1	2804-4437
4	4M-40490	4049	COVER,BRAKE PEDAL	1	2804-4437
5	4F-34130	3413	ARM,BRAKE CYLINDER ACTUATING	1	2804-4437
6	HD-0640F	146	SET-SCREW,SOCKET,1/4-20 X 3/8	1	2804-4437
7	15-02100	212	KEY,1/4 SQUARE X 1	1	2804-4437
8	36-35700	3570	YOKE,CLEVIS (LESS PIN)	1	2804-4437
8A	16-35700		PIN,CLEVIS	1	2804-4437
9	HA-51711	232	COTTER PIN,3/32 X 1	1	2804-4437
10	HA-13980	336	NUT,HEX,7/16-20	2	2804-4437
11	HD-1301Z	3569	ROD,BRAKE ACTUATING	1	2804-4437
12	4M-31550	3155	BRAKE MASTER CYLINDER	1	2804-4437
13	HA-10020	270	SCREW,HEX HD,3/8-16 X 3	2	2804-4437
14	HA-10981	243	LOCKNUT,HEX,3/8-16	2	2804-4437
15		3407	PUSH ROD,MASTER CYLINDER	1	2804-4437
16	4M-40400	4040	TEE,BRAKE LINE	1	2804-4437
17	5T-73680	7368	BRACKET,BRAKE LINE TEE	1	2804-4437
18	4P-33000	7363	TUBE ASSY,3/16 X 30	1	2804-4437
19	4P-32000	7364	TUBE ASSY,3/16 X 20	1	2804-4437
20	4M-17580	1758	HOSE, BRAKE LINE	1	2804-4437
21	F4-15070	7366	REDUCER,INVERTED FLARE,04MV X 03 FV	1	2804-4437
22	4R-40370	4037	CLIP,BRAKE HOSE	1	2804-4437
--	1J-7292B		SET,BRAKE SHOES	1	2804-4437
--	1J-7292L		WHEEL BRAKE CYLINDER, LEFT SIDE	1	2804-4437
--	1J-7292R		WHEEL BRAKE CYLINDER, RIGHT SIDE	1	2804-4437
23	4M-3155C		CAP,MASTER CYLINDER RESERVOIR	1	2804-4437
1	4M-31560		MASTER CYLINDER	1	4539-
	KZ-31560		REBUILT KIT, MASTER CYLINDER		4539-
	HA-10014		SCREW, HEX HD, 3/8-16 X 1-1/2	2	4539-
	HA-10860		WASHER, FLAT, 3/8	2	4539-
	HA-10862		LOCKWASHER, 3/8	2	4539-
	HA-10980		NUT, HEX, 3/8-16	2	4539-
2	HA-11980		NUT, HEX, 3/8-24	1	4539-
3	36-01570		YOKE, CLEVIS, 3/8-24	1	4539-
4	HA-63312		PIN, CLEVIS 3/8 X 31/32	1	4539-
5	HA-51711		COTTER PIN, 3/32 X 1	1	4539-
6	4F-34220		BRAKE PEDAL ARM	1	4539-
7	HA-30861		WASHER, FLAT, 1	2	4539-
8	HA-7064A		E-RING, EXTERNAL, 1	1	4539-
9	1L-0520A		BRAKE RETURN SPRING	1	4539-
10	HA-18980		HEX NUT, 5/8-11	1	4539-

* ZAMBONI *
MODEL 500 PARTS LIST

GROUP 4.030 STEERING & BRAKING SYSTEMS (CONT'D)

IND	NEW PART NO	OLD P/NO	DESCRIPTION	QTY	SERIAL NO
11	4M-40480		PEDAL, BRAKE	1	4539-
12	4M-40490		BRAKE PEDAL COVER	1	4539-
13	4M-40402		ADAPTER, BRAKE LINE	2	4539-
14	4P-30800		BRAKE LINE TUBE ASSY, 8	1	4539-
15	4P-30800		BRAKE LINE TUBE ASSY, 8	1	4539-
16	4M-40400		TEE, BRAKE LINE, 3/16	2	4539-
17	4M-40401		BRAKE LINE ADAPTER	1	4539-
18	4P-34000		BRAKE LINE TUBE ASSY, 40	1	4539-
19	4M-17580		BRAKE HOSE ASSY	1	4539-
20	5T-73680		BRACKET, 1-7/8 X 1 X 1/8	1	4539-
21	4P-32000		BRAKE LINE TUBE ASSY, 20	1	4539-
22	4P-33000		BRAKE LINE TUBE ASSY, 30	1	4539-
	1L-33500		BRAKE SPRING SET	2	2804-
	1J-7292B		BRAKE SHOES (SET)	1	2808-

* ZAMBONI *
MODEL 500 PARTS LIST

GROUP 5.010 INSTRUCTION PLATES, NAMEPLATES

IND	NEW PART NO	OLD P/NO	DESCRIPTION	QTY	SERIAL NO
	81-16040	1604	ZAMBONI NAMEPLATE	1	2804-
	HF-01304		STAINLESS STEEL SCREW	6	2804-
	81-18430	1843	BOARD BRUSH OPERATION	1	2804-4781
	81-18440		BOARD BRUSH SERIAL NUMBER	1	5009-
	81-18790	1879	SERIAL NUMBER & PATENT	1	2804-
	81-18800	1880	WATER PUMP & SAFETY INSTRUCTIONS	1	2804-4437
	81-18810	1881	OPERATING INSTRUCTIONS	1	2804-3493
	81-0530B		OPERATING INSTRUCTIONS	1	3526-4437
	81-18840	1884	WATER VALVE & BLADE ANGLE	1	2804-5198
	83-0400J		CONTROL RODS	1	5343-
	00-07955		TIRE PRESSURE, 60 PSI	4	2804-6519
	81-79550		TIRE PRESSURE, 75 PSI	4	6523-
	81-41370	4137	HYDRAULIC OIL	1	2804-
	81-74180	7418	WARNING,USE UNLEADED GAS (WITH CAT CONV)	1	2804-
	81-75510	7551	* DANGER-KEEP HANDS...	4	2804-3581
	81-75500		DECAL, DANGER...HANDS & FEET	3	3658-
	81-75520	7552	BLADE ANGLE	1	2804-5198
	83-75520		BLADE ANGLE	1	5343-
	81-75550	7555	REGULAR GASOLINE	1	2804-3817
	81-7555A		UNLEADED GASOLINE	1	3964-
	81-75570	7557	ICE-MAKING WATER	1	2804-5040
	81-75575		ICE-MAKING WATER	1	5041-5198
	83-75520		ICE-MAKING WATER	1	5343-
	81-75580	7558	WASH WATER	1	2804-5198
	83-75570		WASH WATER	1	5343-
	81-76880	7688	AUXILIARY LPG TANK	1	2804-3493
	81-77050	7705	* NO RIDING ON CONDITIONER	1	2804-3581
	81-19430	1943	* EXPOSED BELTS	2	2804-3581
	81-77070	7707	HYDRAULIC CONTROLS	1	2804-5198
	83-77070		CONTROL VALVE, LEFT	1	5343-
	83-77075		CONTROL VALVE, RIGHT	1	5343-
	81-77080	7708	* USE SAFETY STAND	1	2804-3581
	81-18860	1886	EMERGENCY VALVE INSTRUCTIONS	1	2804-2982
	81-75560	7556	EMERGENCY VALVE INSTRUCTIONS	1	2983-3581
	81-10450	1045	ENGINE OVERHEAT LITE	1	2960-4437

* = INACTIVE

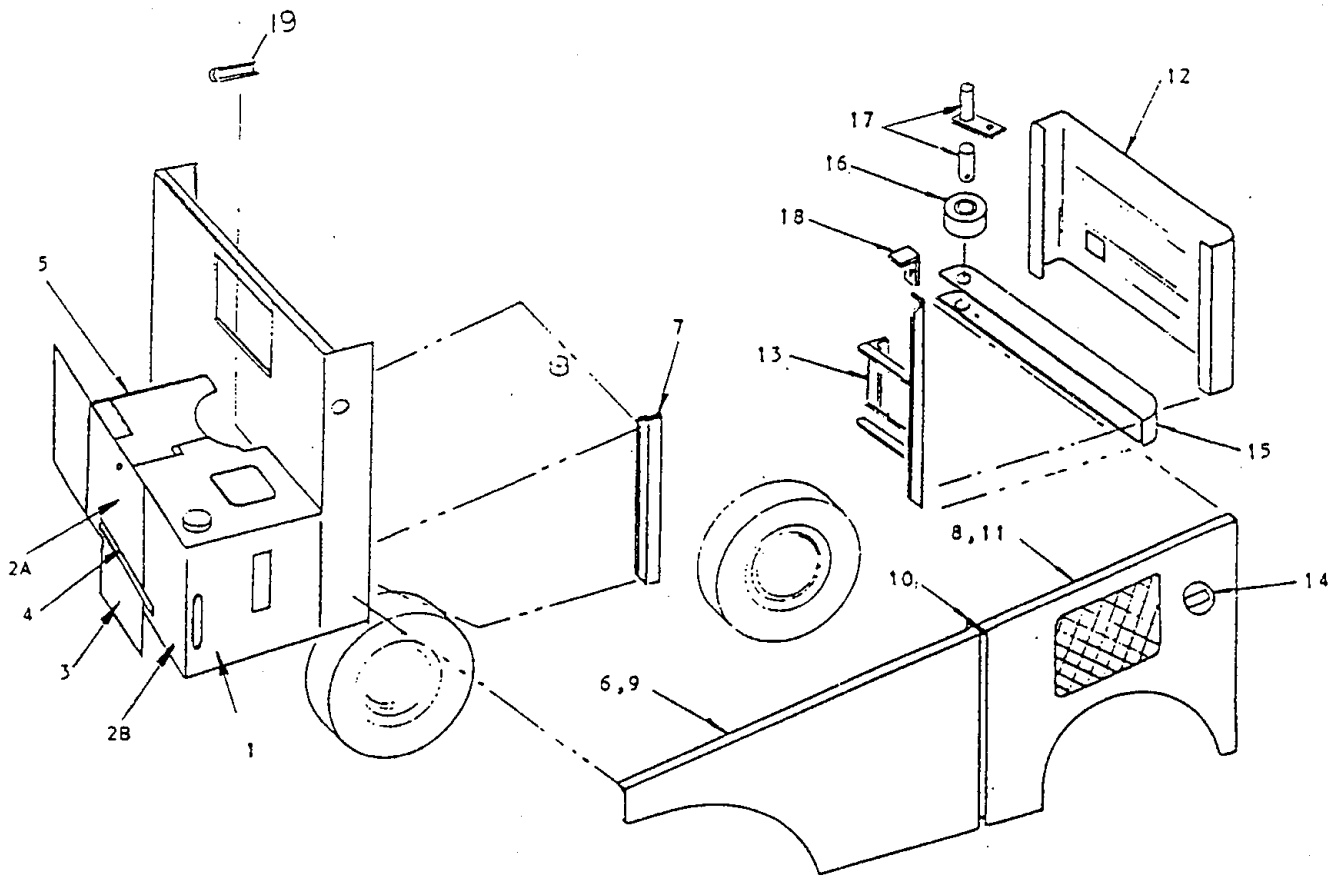
* ZAMBONI *
MODEL 500 PARTS LIST

GROUP 5.010 INSTRUCTION PLATES, NAMEPLATES (CONT'D)

IND	NEW PART NO	OLD P/NO	DESCRIPTION	QTY	SERIAL NO
	81-21100	2110	CAUTION-ELECTRIC FAN	1	2804-6864
	81-21110		HIGH VOLTAGE, ELECTRIC FAN	1	6989-
	81-21260		CAUTION-EXPANSION TANK CAP	1	2804-
	81-0500A		FUSE PANEL	1	3526-5198
	83-0500A		FUSE PANEL	1	5343-
	81-0500B		HYDRAULIC FILTER INFORMATION	1	3658-
	81-0510A		HYDROSTAT BY-PASS	1	3658-
	81-2000A		DANGER... DO NOT OPERATE...	1	3658-
	81-2000B		DANGER... USE SAFETY STAND...	1	3658-
	81-2000C		DANGER... MOVING PARTS... (4 X 4)	5	3658-
	81-2000D		DANGER... NO RIDERS...	2	3658-
	81-2000N		DANGER... NO RIDERS...	2	6512-
	81-2000E		DANGER... ROTATING PARTS...	2	3658-
	81-2000F		DANGER... MOVING PARTS... (3 X 3)	1	3658-
	81-2000P		DANGER... EXHAUST GASES...	1	6497-
	81-06200		ENGINE RPM, ELECTRONIC GOVERNOR	1	6864-
	89-79600		INSTRUMENT PANEL APPLIQUE	1	4539-4781
	89-79500		INSTRUMENT PANEL APPLIQUE	1	5009-5198
	81-50010		OPERATING INSTRUCTIONS	1	5343-
	81-50015		KEY SWITCH	1	5343-
	81-79100		SWITCHES	1	5343-
	81-79300		WARNING LIGHTS	1	5343-
	KZ-50010		KIT, NAMEPLATES	1	2804-2860
	KZ-50020		KIT, NAMEPLATES	1	2861-2951
	KZ-50030		KIT, NAMEPLATES	1	3178-3581
	KZ-50040		KIT, NAMEPLATES	1	3758-4437
	KZ-50050		KIT, NAMEPLATES	1	4539-4623

* ZAMBONI *
MODEL 500 PARTS LIST

GROUP 5.020 BODY PANELS



* ZAMBONI *
MODEL 500 PARTS LIST

GROUP 5.020 BODY PANELS

IND	NEW PART NO	OLD P/NO	DESCRIPTION	QTY	SERIAL NO
1	46-15360	1536	PANEL, TOP & SIDE, REAR	1	2804-3156
	HA-08009	273	SCREW, HEX HD, 5/16-18 X 3/4	4	2804-3156
	HA-08862	227	LOCKWASHER, 5/16	4	2804-3156
	HA-08900		SPEED NUT "J" TYPE	5	4539-
1	46-15370		PANEL, VALVE MOUNTING, RIGHT SIDE	1	3157-4437
1	46-15200		PANEL, VALVE MOUNTING, RIGHT SIDE	1	4539-4623
	HA-08009	273	SCREW, HEX HD, 5/16-18 X 3/4	7	3157-
	HA-08862	227	LOCKWASHER, 5/16	7	3157-
	46-15202		PANEL, VALVE MOUNTING, RIGHT SIDE	1	4732-5198
	46-15210		PANEL, VALVE MOUNTING, RIGHT SIDE	1	5343-6288
	46-15212		PANEL, VALVE MOUNTING, RIGHT SIDE	1	6484-
2	46-15350	1535	PANEL, REAR	1	2804-3156
	HA-08009	273	SCREW, HEX HD, 5/16-18 X 3/4	7	2804-3156
	HA-08862	227	LOCKWASHER, 5/16	7	2804-3156
	HA-08014	186	SCREW, HEX HD, 5/16-18 X 1-1/2 (HANDLE STOP)	2	2804-3156
	HA-08981	263	LOCKNUT, HEX, 5/16-18	2	2804-3156
2	46-15380		PANEL, REAR	1	3157-4437
	HA-08009	273	SCREW, HEX HD, 5/16-18 X 3/4	8	3157-4437
	HA-08862	227	LOCKWASHER, 5/16	8	3157-4437
2A	46-15390		REAR PANEL, LEFT	1	4539-4623
	46-15389		REAR PANEL, LEFT	1	4732-5198
	46-15394		REAR PANEL, LEFT	1	5343-
	HA-08009		SCREW, HEX HD, 5/16-18 X 3/4	4	4539-
	HA-08862		WASHER, LOCK, 5/16	5	4539-
	HA-08860		WASHER, FLAT, 5/16	2	4539-
	HD-08007		STUD, 5/16-18 X 1-3/4	1	4539-
	HA-08900		SPEED NUT "J" TYPE	2	4539
	HA-08990		WING NUT, 5/16	1	4539-
2B	46-15400		REAR PANEL, RIGHT	1	4539-
	HA-08009		SCREW, HEX HD, 5/16-18 X 3/4	5	4539-
	HA-08962		WASHER, LOCK, 5/16	6	4539-
	HA-08860		WASHER, FLAT, 5/16	2	4539-
	HA-08900		SPEED NUT "J" TYPE	7	4539-
	HA-08990		NUT, WING, 5/16	1	4539-
	HD-08007		STUD, 5/16-18 X 1-3/4	1	4539-
3	49-42460	4246	FLAP, REAR PANEL	1	2804-

* ZAMBONI *
MODEL 500 PARTS LIST

GROUP 5.020 BODY PANELS (CONT'D)

IND	NEW PART NO	OLD P/NO	DESCRIPTION	QTY	SERIAL NO
4	1M-42100	4210	STRAP,FLAP RETAINER	1	2804-
	HD-08007	286	STUD,5/16-18 X 1-3/4	2	2804-
	HA-08980	329	NUT,HEX,5/16-18	2	2804-
	HA-08860	222	FLAT WASHER,5/16	4	2804-
	HA-08990	285	WING-NUT,5/16-18	2	2804-
5	46-19020	1902	PANEL,OPERATOR COMPARTMENT,SIDE	1	2804-3156
	HA-08009	273	SCREW,HEX HD,5/16-18 X 3/4	5	2804-3156
	HA-08862	227	LOCKWASHER,5/16	5	2804-3156
N/S	7F-05026		ACCESS COVER NO ACCESS COVER	1	5979- 6090-6101
6	46-15530	1553	PANEL,LEFT SIDE	1	2804-4781
	46-15535		PANEL,LEFT SIDE	1	5009-
	HA-08009	273	SCREW,HEX HD,5/16-18 X 3/4	4	2804-
	HA-08862	222	FLAT WASHER,5/16	2	2804-
	HA-08981	263	LOCKNUT,HEX,5/16-18	4	2804-
	8T-12540	1254	BUMPER,DOOR,RUBBER	2	2857-
	HA-04711	797	SCREW,FILLISTER HD,10-32 X 1	2	2857-
	HD-05862	361	FLAT WASHER,SPECIAL	2	2857-
HA-04981	290	LOCKNUT,HEX,10-32	2	2857-	
7	46-19000	1900	BRACKET,PANEL SUPPORT,CENTER	2	2804-4033
	HA-10011	252	SCREW,HEX HD,3/8-16 X 1	4	2804-4033
	HA-10860	142	FLAT WASHER,3/8	8	2801-4033
	HA-10981	243	LOCKNUT,HEX,3/8-16	4	2804-4033
8	46-15515		DOOR PANEL, PERFORATED, LEFT SIDE FOR S/N BEFORE 3057,ALSO ORDER 47-17840	1	2804-
9	46-15540	1554	DOOR PANEL,RIGHT SIDE	1	2804-
	HA-08009	273	SCREW,HEX HD,5/16-18 X 3/4	4	2804-
	HA-08860	222	FLAT WASHER,5/16	2	2804-
	HA-08981	263	LOCKNUT,HEX,5/16-18	4	2804-
10	47-17720	1772	HINGE,SIDE DOOR PANEL	2	2804-
	HA-04706	249	SCREW,FILLISTER HD,10-32 X 1/2	16	2804-
	HA-04981	290	LOCKNUT,HEX,10-32	16	2804-
11	46-15525		FOR S/N BEFORE 3057,ALSO ORDER 47-17850 DOOR PANEL, PERFORATED, RIGHT SIDE FOR S/N BEFORE 3057,ALSO ORDER 47-17850	1	2804-
12	46-17550	1755	PANEL FRONT	1	2804-
	HA-10009	265	SCREW,HEX HD,3/8-16 3/4	8	2804-
	HA-10860	142	FLAT WASHER, 3/8	8	2804-
	HA-10981	243	LOCKNUT,HEX,3/8-16	8	2804-

* ZAMBONI *
MODEL 500 PARTS LIST

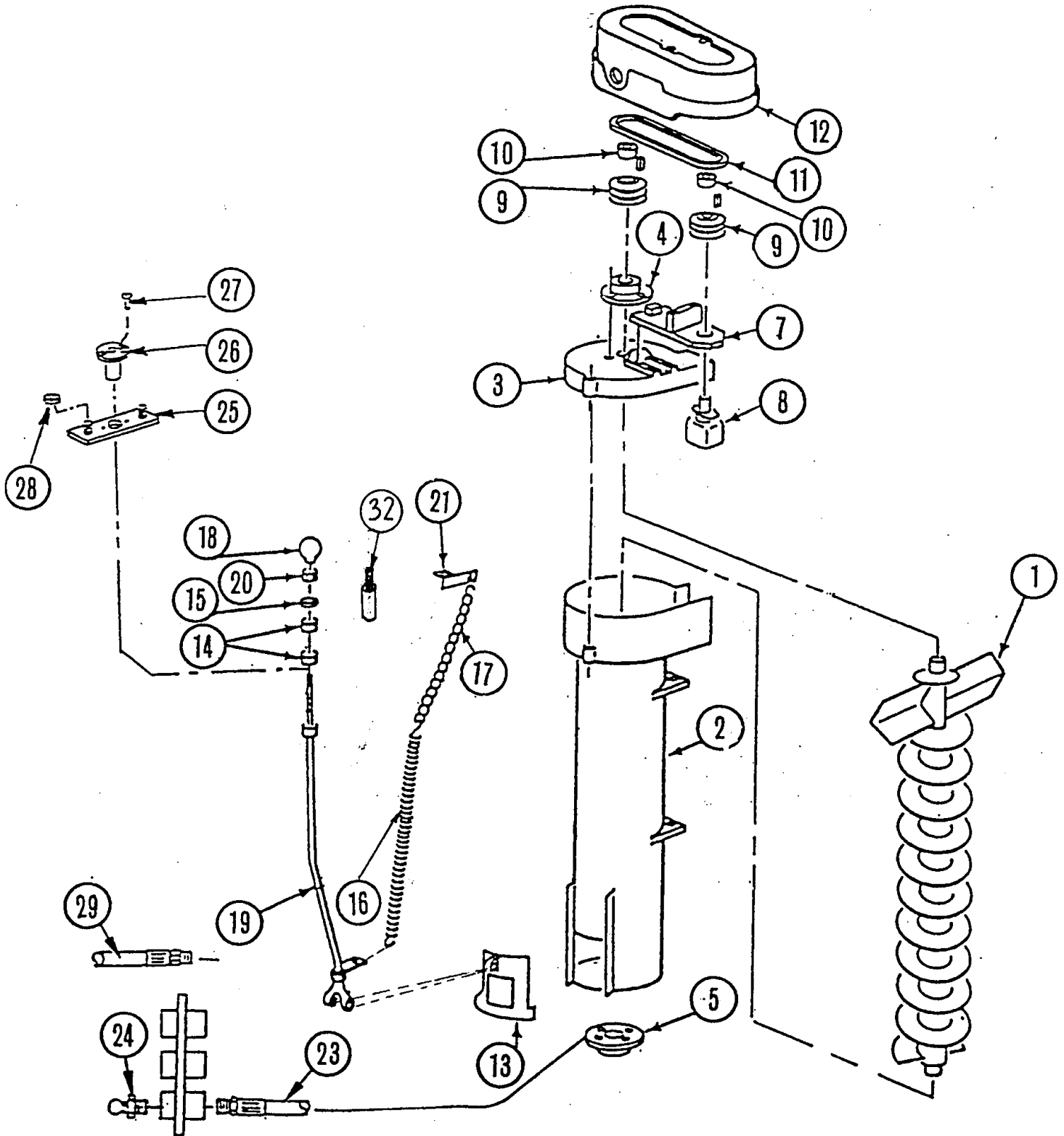
GROUP 5.020 BODY PANELS (CONT'D)

IND	NEW PART NO	OLD P/NO	DESCRIPTION	QTY	SERIAL NO
13	46-15320	1532	BRACKET,FRONT PANEL SUPPORT	2	2804-
	HA-08011	281	SCREW,HEX HD,5/16-18 X 1	2	2804-
	HA-08860	222	FLAT WASHER 5/16	4	2804-
	HA-08981	263	LOCKNUT HEX 5/16-18	4	2804-
14	47-17830	1783	LATCH,DOOR,LT OR RT	2	2804-3156
14	47-17840	1784	LATCH,LEFT SIDE DOOR	1	3157-
14	47-17850	1785	LATCH,RIGHT SIDE DOOR	1	3157-
15	8T-15800	1580	FRONT BUMPER	1	2804-7163
	8T-15805		FRONT BUMPER	1	7208-
	HA-14214	479	CARRIAGE SCREW 1/2-13 X 1-1/2	4	2804-
	HA-14986	189	NUT,HEX FLEXLOCK,1/2-13	4	2804-
16	8R-16700	1670	GUIDE ROLL	1	2804-7163
	8R-16800		GUIDE ROLL	1	7208-
17	15-15850	1585	SHAFT,GUIDE ROLL	1	2804-7163
	15-15520		SHAFT & STRAP, GUIDE ROLL	1	7208-
	HA-55716	166	COTTER PIN,1/4 X 2	1	2804-7163
18	46-12570	1257	BRACKET,DOOR SUPPORT	2	2857-
19	2H-05001		TRIM STRIP	1	3526-

* ZAMBONI *
MODEL 500 PARTS LIST

GROUP 6.010 VERTICAL CONVEYOR

SERIAL NUMBER 2804-5561



* ZAMBONI *
MODEL 500 PARTS LIST

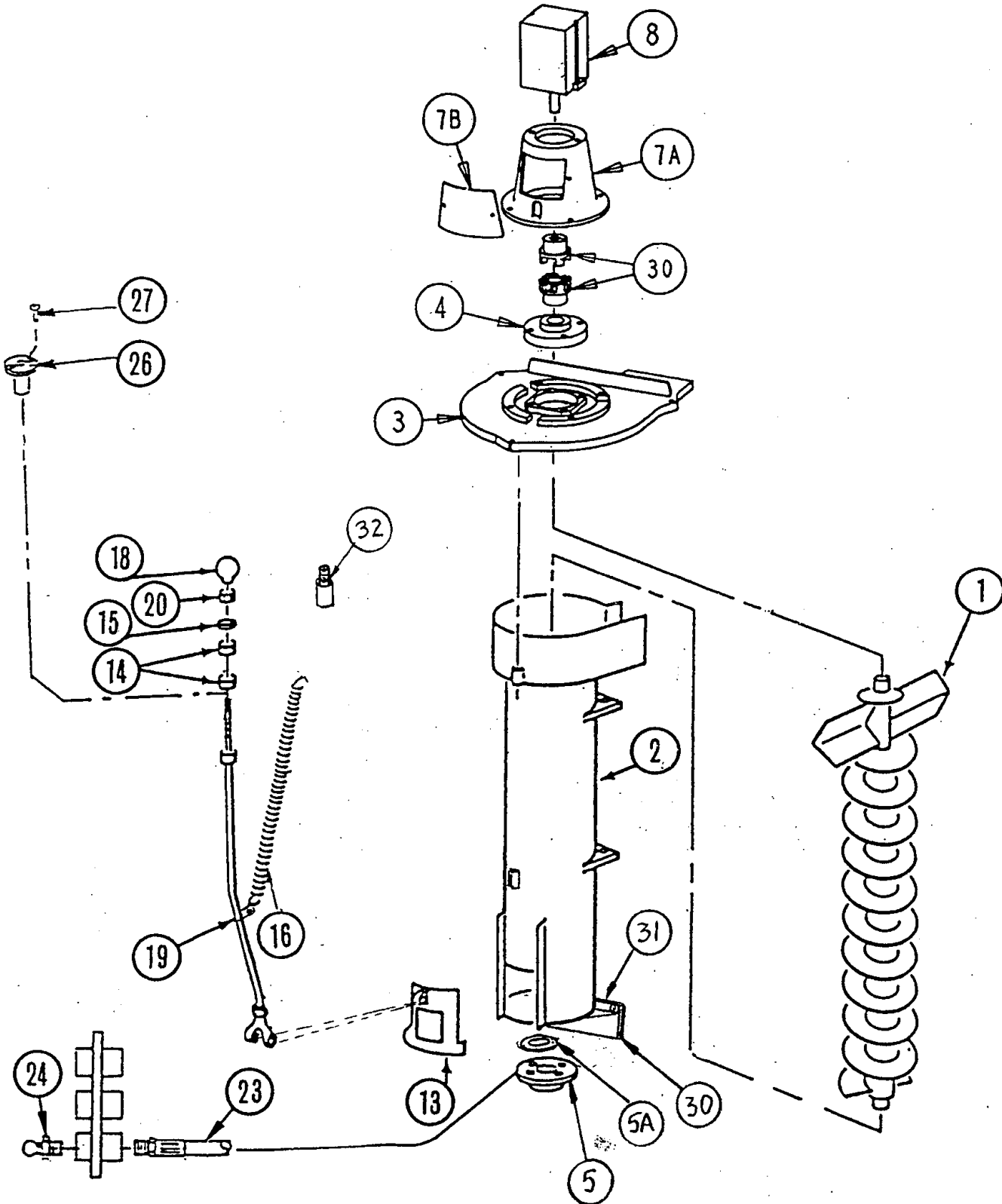
GROUP 6.010 VERTICAL CONVEYOR

IND	NEW PART NO	OLD P/NO	DESCRIPTION	QTY	SERIAL NO
1	5A-69740	6974	VERTICAL CONVEYOR	1	2804-
2	5A-79850	7985	HOUSING,VERTICAL CONVEYOR	1	2804-3493
2	5A-05000		HOUSING,VERTICAL CONVEYOR	1	3526-5043
	5A-06000		HOUSING,VERTICAL CONVEYOR	1	5044-6288
	5A-06010		HOUSING,VERTICAL CONVEYOR	1	6484-6864
	5A-06020		HOUSING,VERTICAL CONVEYOR	1	6989-
	HA-10011	252	SCREW,HEX HD,3/8-16 X 1	4	2804-
	HA-10984	243	K-LOCKNUT,3/8-16	4	2804-
3	5A-18890	1889	COVER,SLINGER HOUSING	1	2804-3493
3	5A-05010		COVER,SLINGER HOUSING	1	3526-5561
	5A-05100		COVER,SLINGER HOUSING	1	5562-
	HA-10029	257	SCREW,HEX HD,3/8-16 X 6-1/2	3	2804-5561
	HA-10981	243	LOCKNUT,3/8-16	3	2804-5561
	HF-1501S		SCREW, HEX HD, 1/2-20 X 3/8	3	5562-
	HA-10030S		SCREW,HEX HD,3/8-16 X 6-5/8	3	5562-6864
	HA-10030		SCREW, HEX HD, 3/8-16 X 7	3	6989-
	HA-10862		LOCKWASHER,3/8	3	5562-
	HA-10860		FLAT WASHER,3/8	3	5562-
	HA-10980		NUT,HEX,3/8-16	3	5562-
4	1X-36642	3664	BEARING,VERTICAL CONVEYOR, TOP	1	2804-
	HA-12014	193	SCREW,HEX HD,7/16-14 X 1-1/2	4	2804-5561
	HE-10003		SCREW,HEX HD,3/8-16 X 1-1/2	4	5562-
	HA-12862	226	LOCKWASHER,7/16	4	2804-
	HA-10860		FLAT WASHER,3/8	4	5562-
	1Z-1669B		GREASE FITING, 1-3/4 LONG	1	6892-
5	1X-36642	3664	BEARING,VERTICAL CONVEYOR,BOTTOM	1	2804-
	HA-10014	297	SCREW,HEX HD,3/8-16 X 1-1/2	4	2804-
	HA-10862	228	LOCKWASHER,3/8	4	2804-
5A	HA-30870		FLAT WASHER, SAE, 1-1/2	1	5039-
6	1Z-78960	7896	ASSY,GREASE FITTING & EXTENSION	1	2804-3727
7	3M-70520	7052	MOUNTING BRKT,DRIVE MOTOR	1	2804-5561
7A	3M-11000		MOTOR MOUNT	1	5562-
	HA-10013	251	SCREW,HEX HD,3/8-16 X 1-1/4	4	2804-5561
	HA-10011		SCREW,HEX HD,3/8-16 X 1	4	5562-
	HA-10862	228	LOCKWASHER,3/8	4	2804-
	HA-10860	142	FLAT WASHER,3/8	4	2804-
	HE-1000Z	380	SCREW,HEX HD,3/8-16	1	2804-5561
	HA-10980	114	NUT,HEX,3/8-16	1	2804-5561
7B	3M-11020		COVER PLATE	1	5562-
	HF-04206		SCREW,SS,BUTTON HD,10-32 X 1/2	2	5562-
	HA-03862		LOCKWASHER, 10-32	2	5562-
8	2M-75090	7509	MOTOR,HYDRAULIC	1	2804-
	HA-10013	251	SCREW,HEX HD,3/8-16 X 1-1/4	2	2804-
	HA-10981	243	LOCKNUT,3/8-16	2	2804-
9	41-56900	5690	SHEAVE,VERTICAL CONVEYOR DRIVE	2	2804-5561

* ZAMBONI *
MODEL 500 PARTS LIST

GROUP 6.010 VERTICAL CONVEYOR

SERIAL NUMBER 5562-



* ZAMBONI *
MODEL 500 PARTS LIST

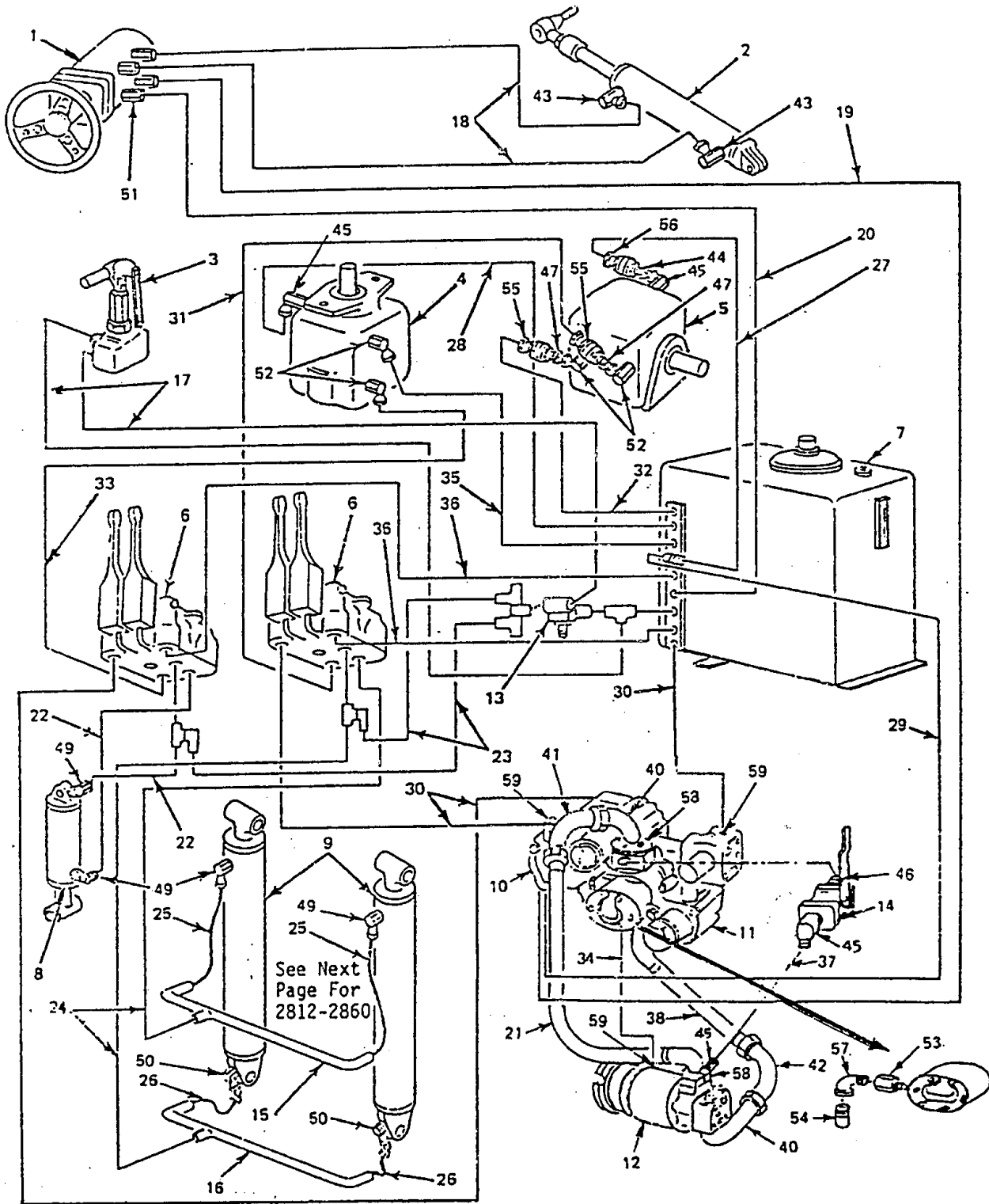
GROUP 6.010 VERTICAL CONVEYOR (CONT'D)

IND	NEW PART NO	OLD P/NO	DESCRIPTION	QTY	SERIAL NO
10	41-37960	3796	BUSHING,TAPERLOCK,1 INCH BORE, (CONVEYOR)	1	2804-5561
	15-02116	219	KEY,1/4 SQUARE X 1-1/2	1	2804-
	41-37970	3797	BUSHING,TAPERLOCK,3/4 BORE (MOTOR)	1	2804-5561
	15-01116	172	KEY,3/16 SQUARE X 1-1/2	1	2804-
11	42-75460	7546	BELT,CONVEYOR DRIVE	1	2804-5561
12	49-71010	7101	GUARD,DRIVE BELT	1	2804-5561
	HA-08009	273	SCREW,HEX HD,5/16-18 X 3/4	2	2804-3727
	HF-08009		SCREW,STAINLESS HX HD, 5/16-18 X 3/4	2	3758-5561
	HA-08860	222	FLAT WASHER,5/16	2	2804-5561
13	5C-69630	6963	SNOW BREAKER	1	2804-
	HA-10014	256	SCREW,HEX HD,3/8-16 X 1-1/2	1	2804-
	HA-10981	243	LOCKNUT,3/8-16	1	2804-
14	8T-75380	7538	BUMPER,SNOW BREAKER,ROD	2	2804-
15	HA-10860	142	FLATWASHER,3/8	1	2804-
16	1L-75450	7540	SPRING,SNOW BREAKER	1	2804-
	HA-1101S		ANCHOR BOLT	1	5562-
	HA-77100		RING	1	5562-
17	48-76646	7664	CHAIN,SNOW BREAKER SPRING	1	2804-5561
18	4B-40830	4083	KNOB,CONTROL ROD	1	2804-
19	5C-16930	1693	ROD,SNOW BREAKER CONTROL	1	2804-
20	HA-11980	209	NUT,HEX,3/8-24	1	2804-
21	5T-71190	7119	CLIP,SNOW BREAKER SPRING	1	2804-5561
22	38-16950	1695	GUIDE,SNOW BREAKER ROD	1	2804-4178
23	PL-0112B		HOSE,LUBRICATION,1/8 X 28	1	3758-5043
	PL-0135B		HOSE,LUBRICATION,1/8 X 53	1	5044-
24	1Z-01580		GREASE FITTING, 1/8 NPT	3	3758-
	KZ-0881A		KIT, SNOW BREAKER GUIDE BASE PLATE	1	4363-5198
25	38-16955		WELDMENT, SNOW BREAKER BASE PLATE	1	4363-5198
	38-16957		SNOW BREAKER BASE PLATE	1	5343-5198
26	13-19925		BUSHING, SNOW BREAKER ROD	1	4363-
27	HF-04309		SCREW, SOCKET FLAT HEAD, 10-32 X 3/4	2	4363-
28	HA-08981		LOCKNUT, 5/16-18	2	4363-5198
29	2A-0450D		COUPLING	1	5562-
30	5A-06036		SNOW FLAP, RUBBER	1	7208-
31	5A-06037		BRACKET, SNOW FLAP	1	7208-
	HA-06009		SCREW, HEX HD, 1/4-20 X 3/4	3	7208-
	HA-06862		LOCKWASHER, 1/4	3	7208-
	HA-06860		FLATWASHER, 1/4	3	7208-
	HA-06980		NUT, HEX, 1/4-20	3	7208-
32	5c-16920		EXTENSION, SNOW BREAKER	1	2804-

* ZAMBONI *
MODEL 500 PARTS LIST

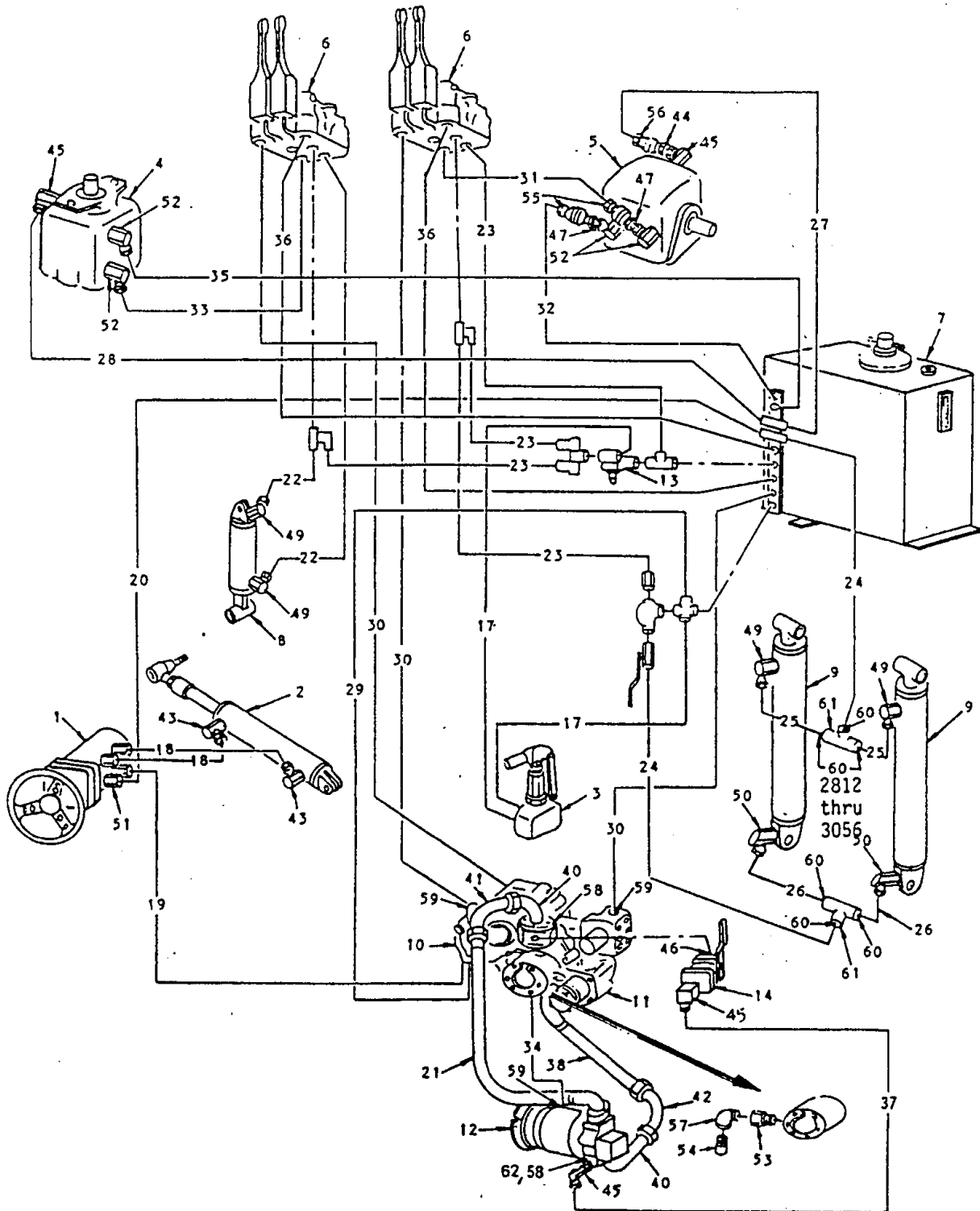
GROUP 7.010 HYDRAULIC SYSTEM

SERIAL NUMBER 2804-2860



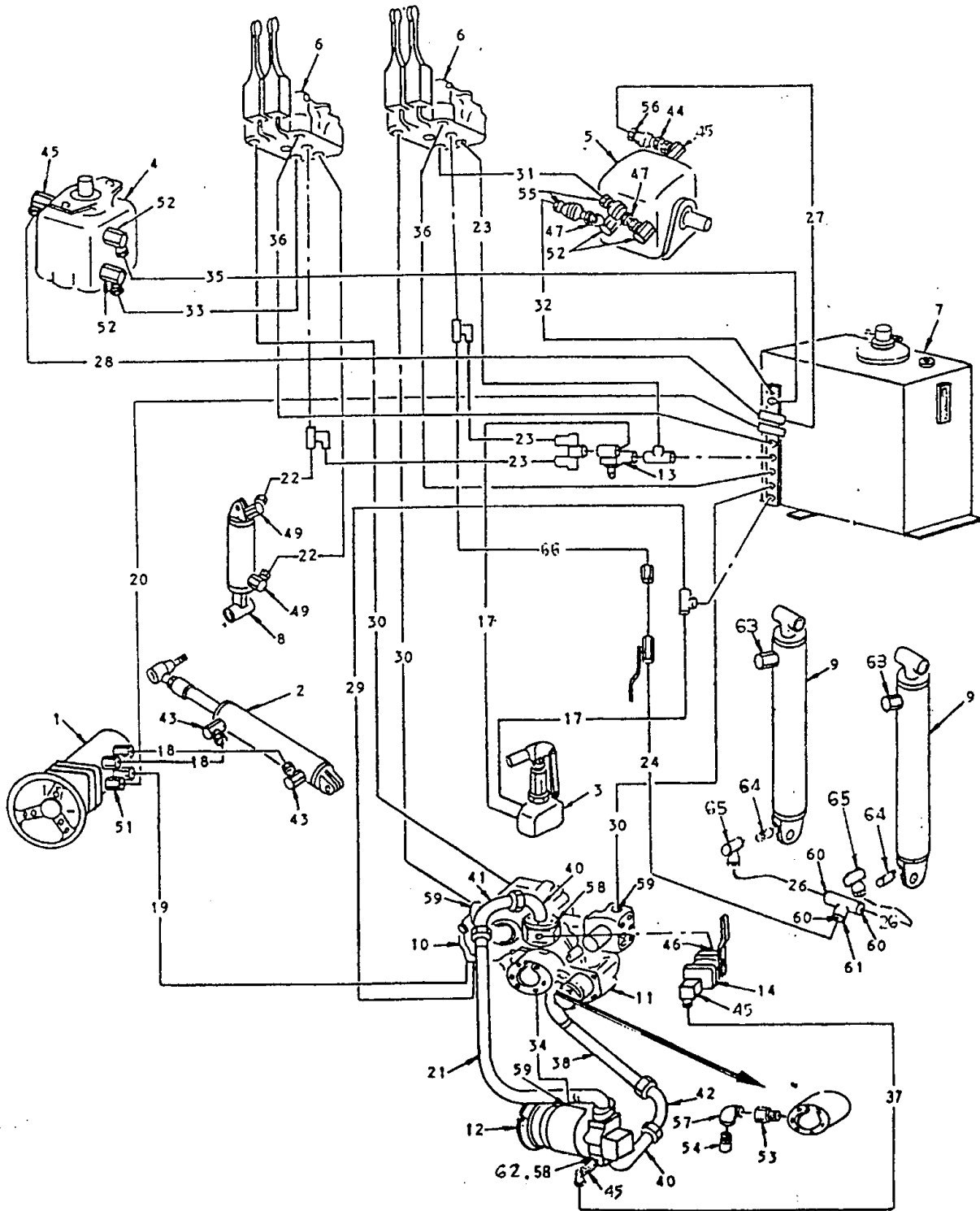
* ZAMBONI *
MODEL 500 PARTS LIST

GROUP 7.010 HYDRAULIC SYSTEM SERIAL NUMBER 2861-3056



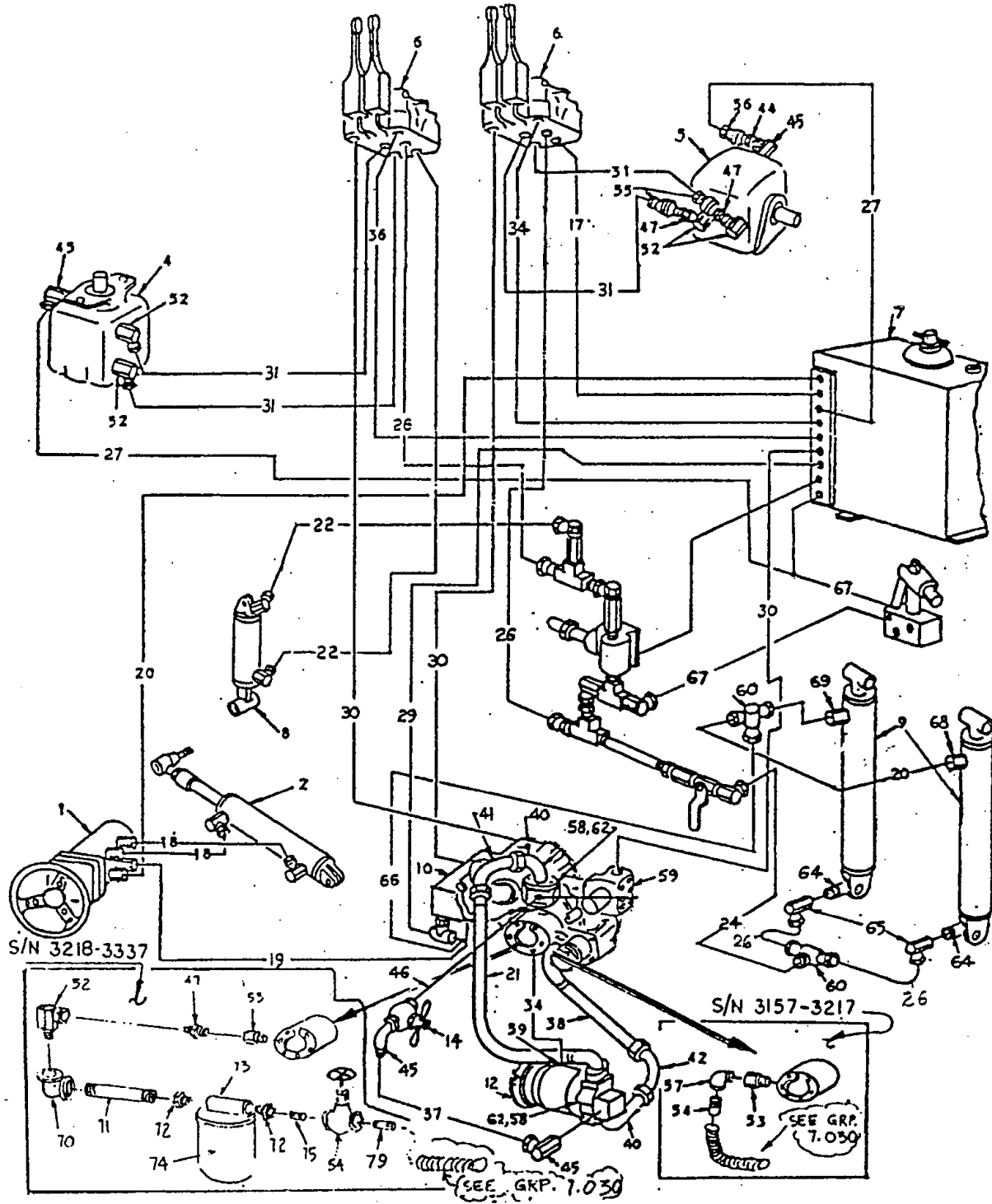
* ZAMBONI *
MODEL 500 PARTS LIST

GROUP 7.010 HYDRAULIC SYSTEM SERIAL NUMBER 3057-3156



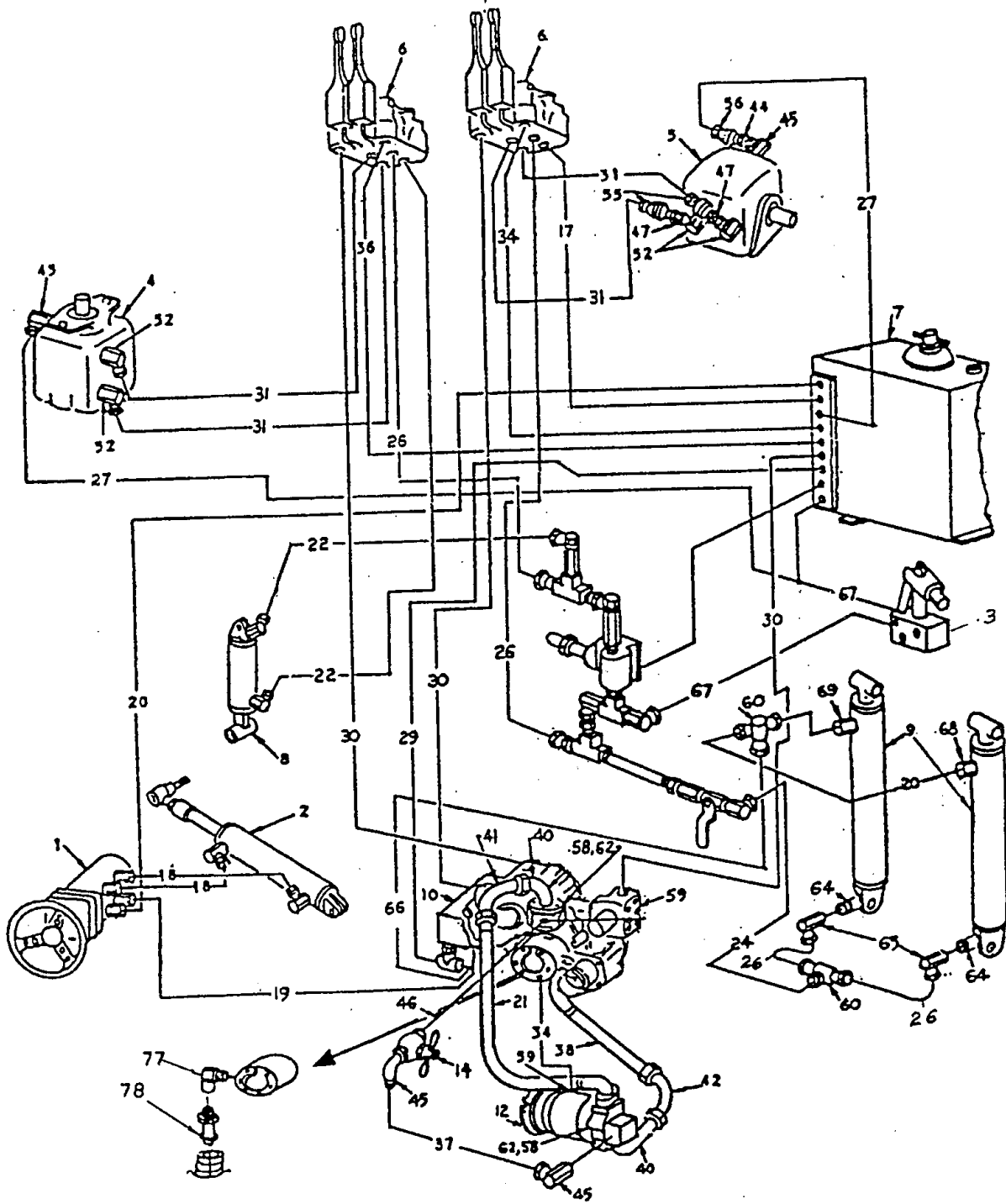
* ZAMBONI *
MODEL 500 PARTS LIST

GROUP 7.010 HYDRAULIC SYSTEM SERIAL NUMBER 3157-3337



* ZAMBONI *
MODEL 500 PARTS LIST

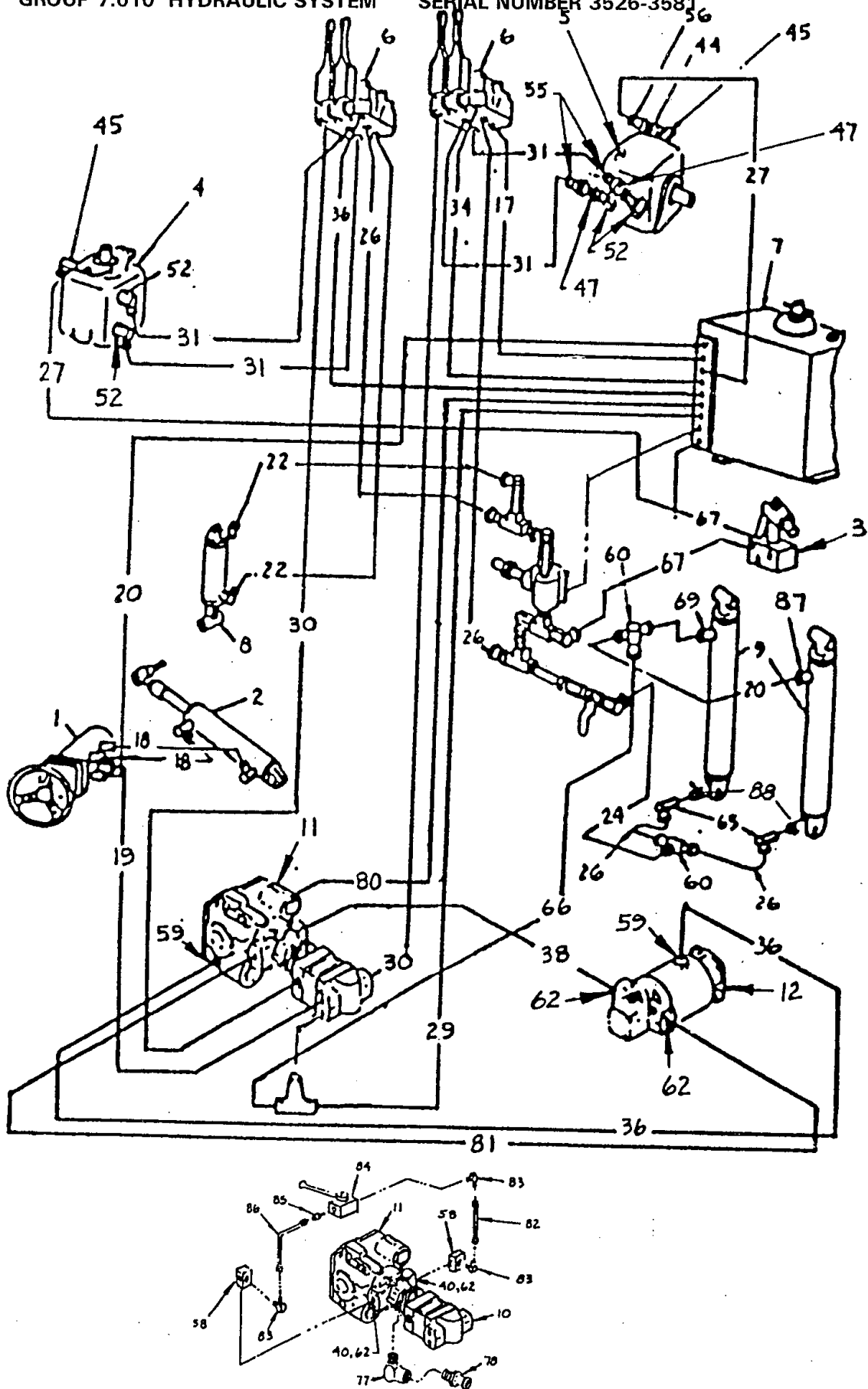
GROUP 7.010 HYDRAULIC SYSTEM SERIAL NUMBER 3338-3493



* ZAMBONI *
MODEL 500 PARTS LIST

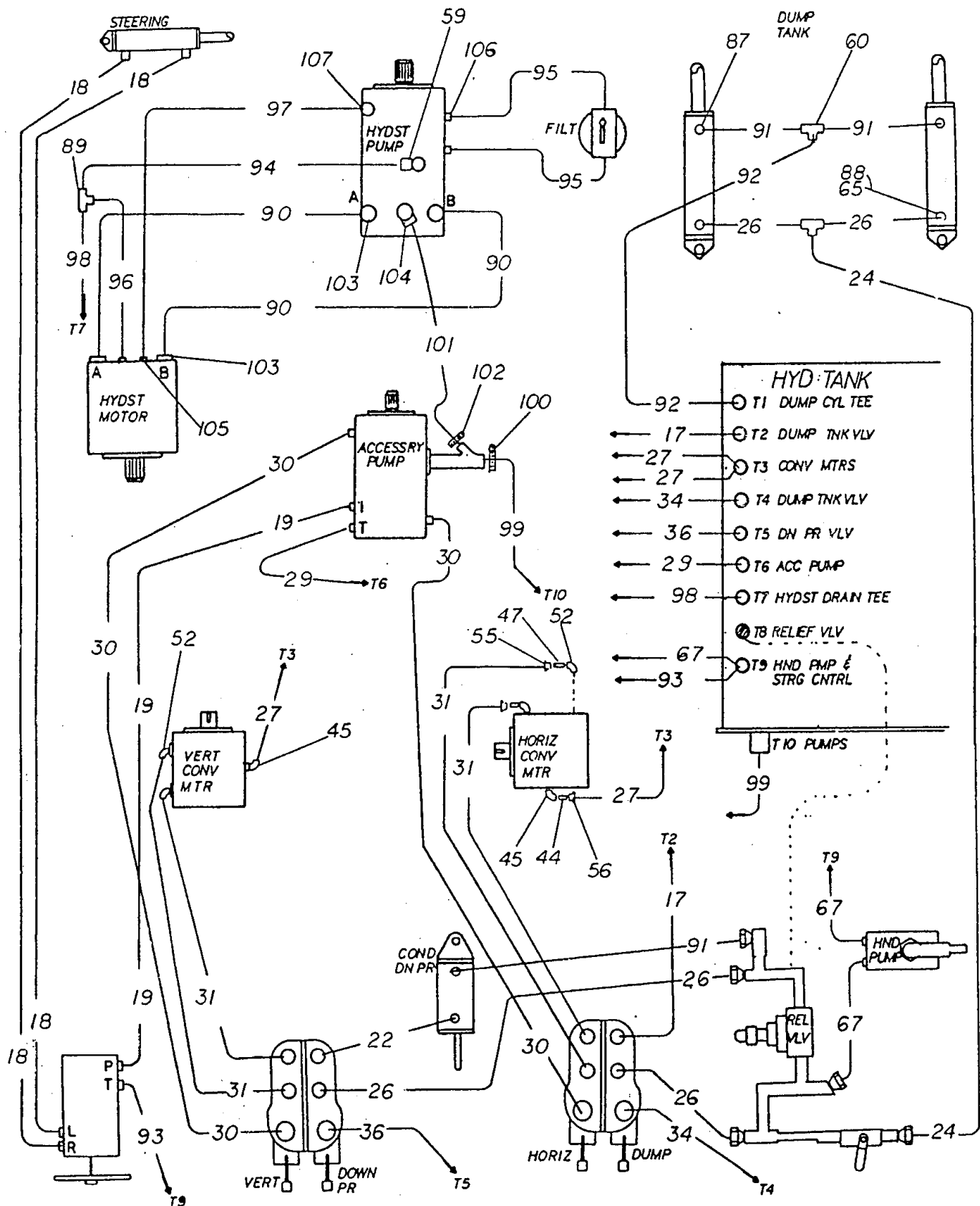
GROUP 7.010 HYDRAULIC SYSTEM

SERIAL NUMBER 3526-3581



* ZAMBONI *
MODEL 500 PARTS LIST

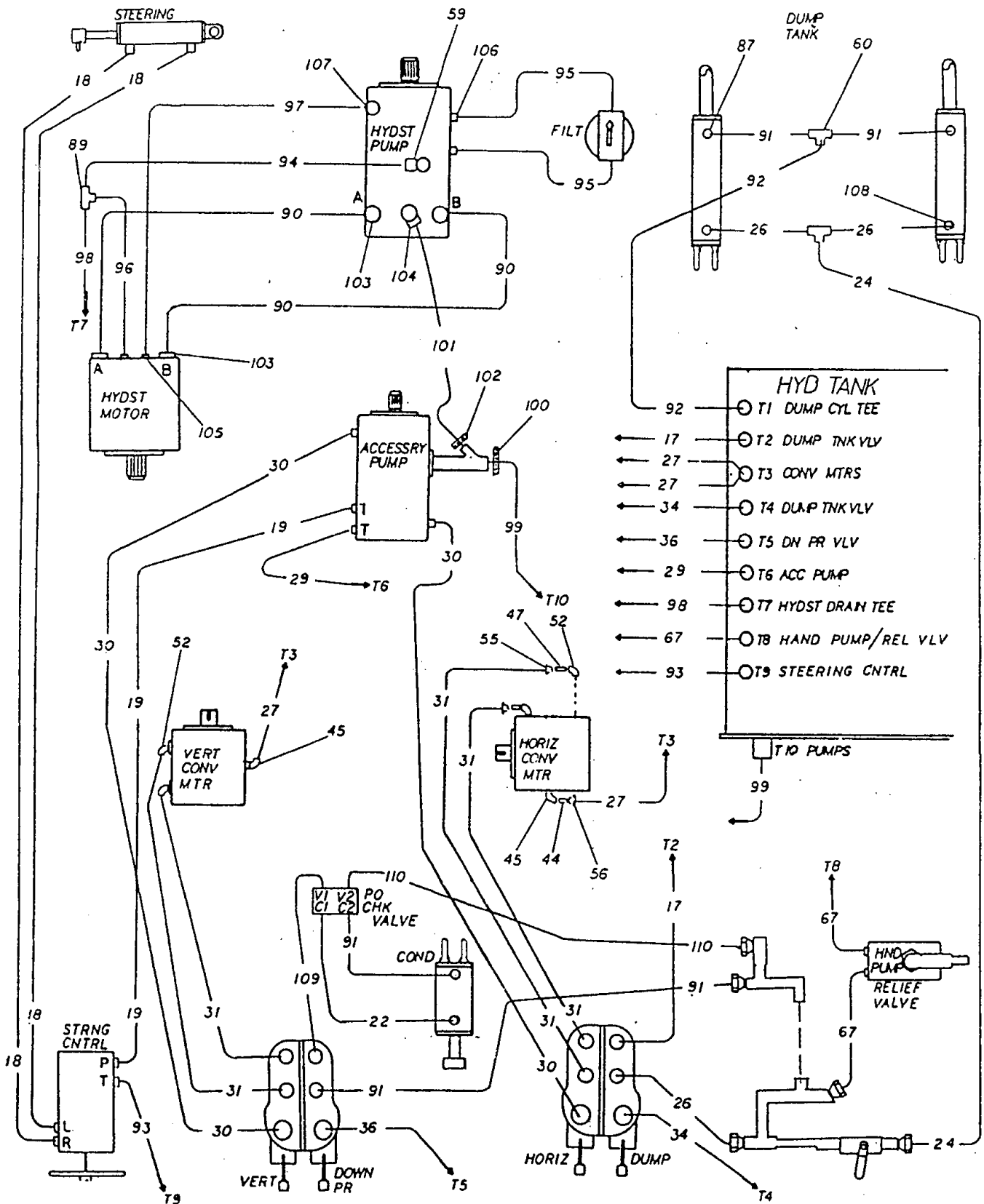
GROUP 7.010 HYDRAULIC SYSTEM SERIAL NUMBER 3658-3727



- HYD TANK
- 92 — T1 DUMP CYL TEE
 - ← 17 — T2 DUMP TNK VLV
 - ← 27 — T3 CONV MTRS
 - ← 27 — T3 CONV MTRS
 - ← 34 — T4 DUMP TNK VLV
 - ← 36 — T5 DN FR VLV
 - ← 29 — T6 ACC PUMP
 - ← 98 — T7 HYDST DRAIN TEE
 - ⊙ T8 RELEF VLV
 - ← 67 — T9 HND PMP & STRG CNTRL
 - ← 93 — T9 HND PMP & STRG CNTRL
- T10 PUMPS

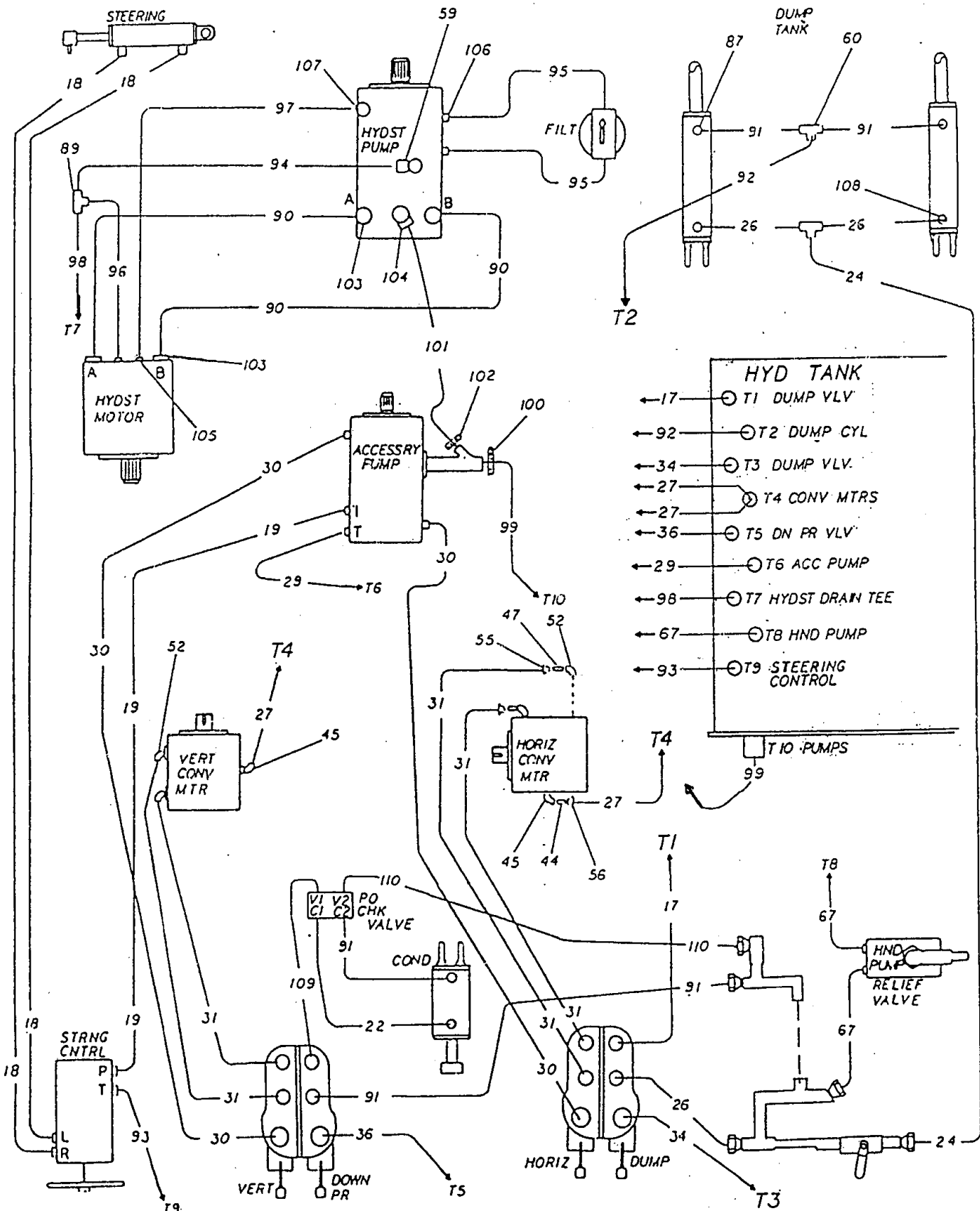
* ZAMBONI *
MODEL 500 PARTS LIST

GROUP 7.010 HYDRAULIC SYSTEM SERIAL NUMBER 3758-3817



* ZAMBONI *
MODEL 500 PARTS LIST

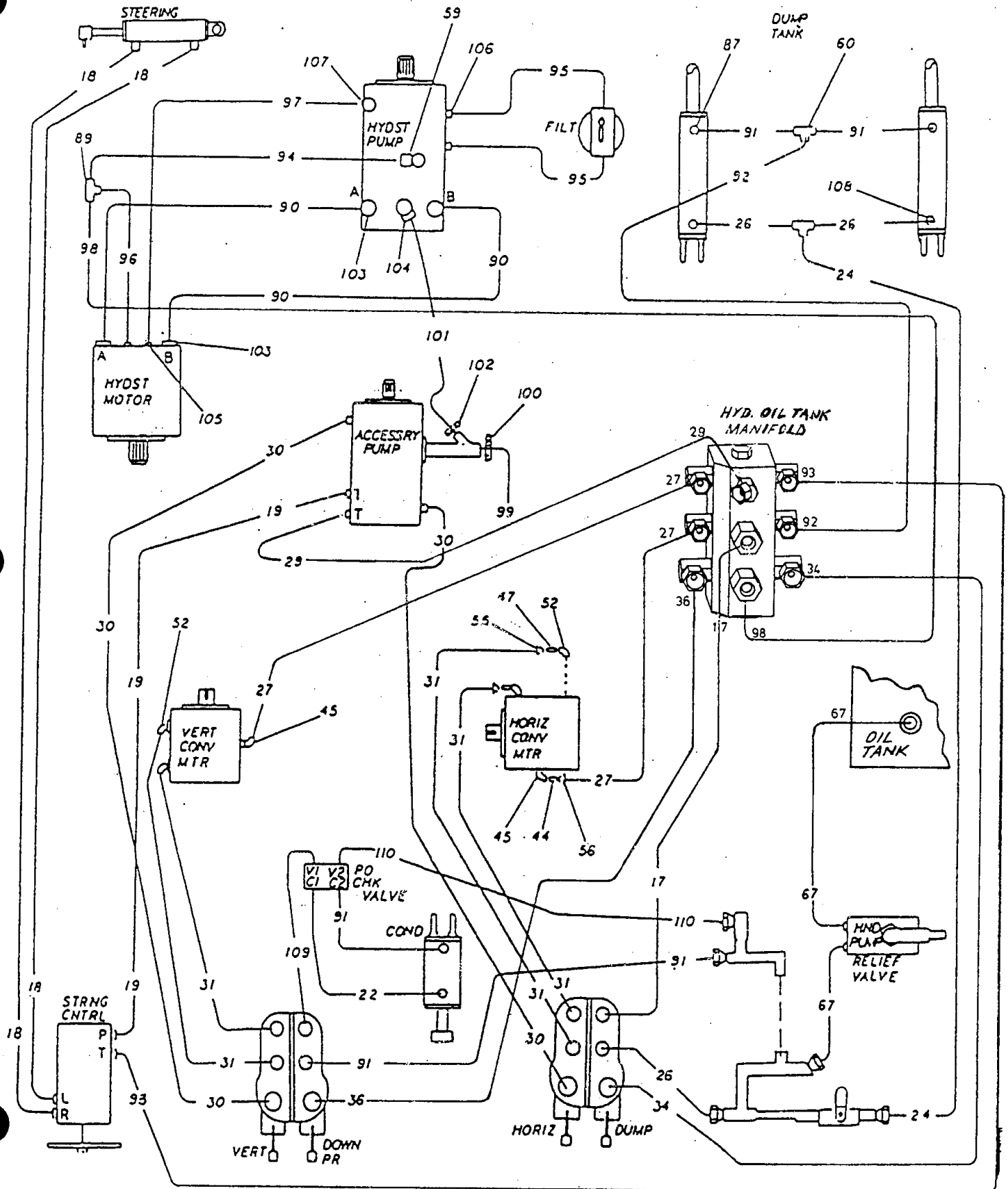
GROUP 7.010 HYDRAULIC SYSTEM SERIAL NUMBER 3964-4437



- HYD TANK**
- ←17— T1 DUMP VLV
 - ←92— T2 DUMP CYL
 - ←34— T3 DUMP VLV
 - ←27— T4 CONV MTRS
 - ←27— T4 CONV MTRS
 - ←36— T5 DN PR VLV
 - ←29— T6 ACC PUMP
 - ←98— T7 HYDST DRAN TEE
 - ←67— T8 HND PUMP
 - ←93— T9 STEERING CONTROL
- T10 PUMPS

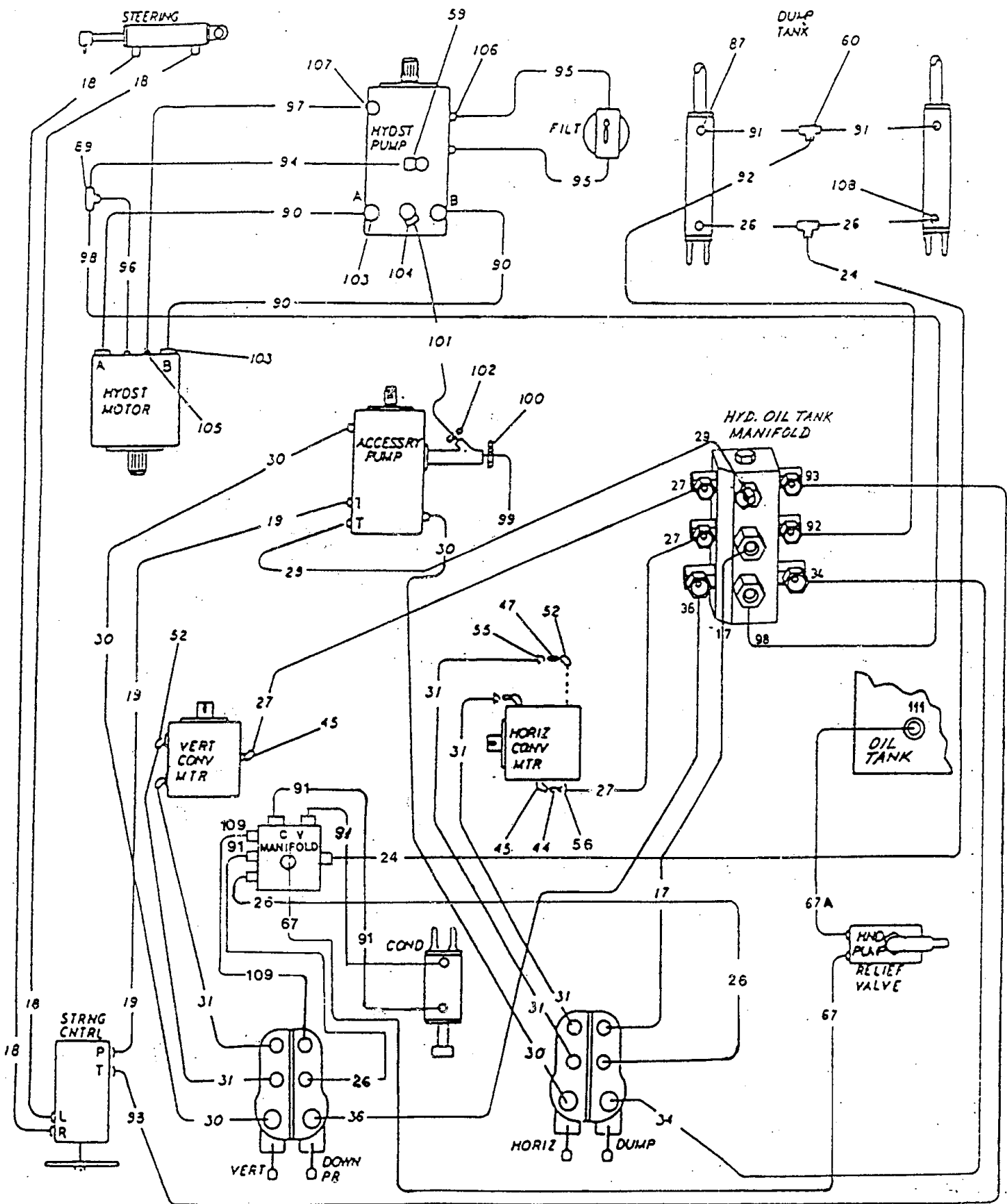
* ZAMBONI *
MODEL 500 PARTS LIST

GROUP 7.010 HYDRAULIC SYSTEM SERIAL NUMBER 4539-4627



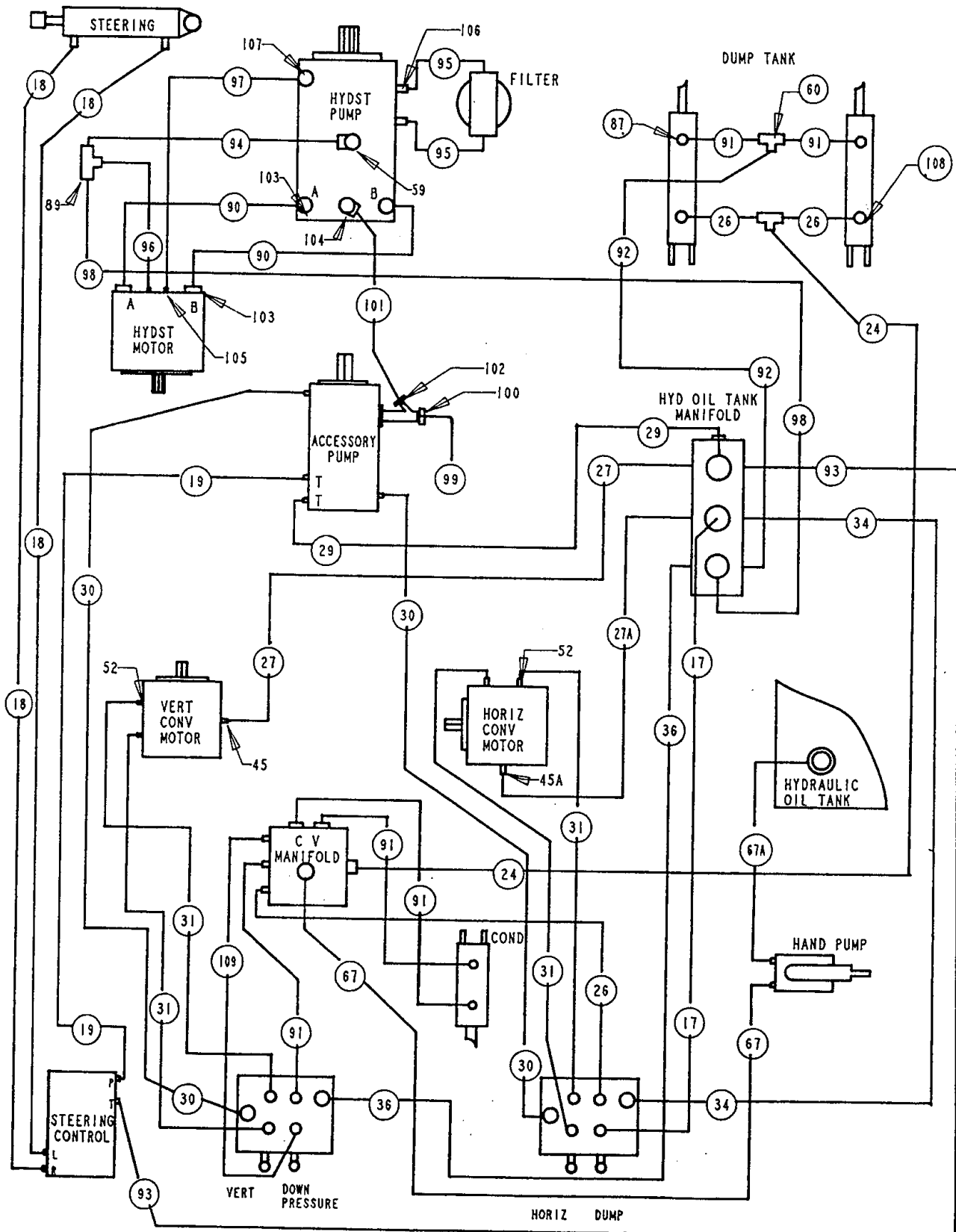
* ZAMBONI *
MODEL 500 PARTS LIST

GROUP 7.010 HYDRAULIC SYSTEM SERIAL NUMBER 4732-5198



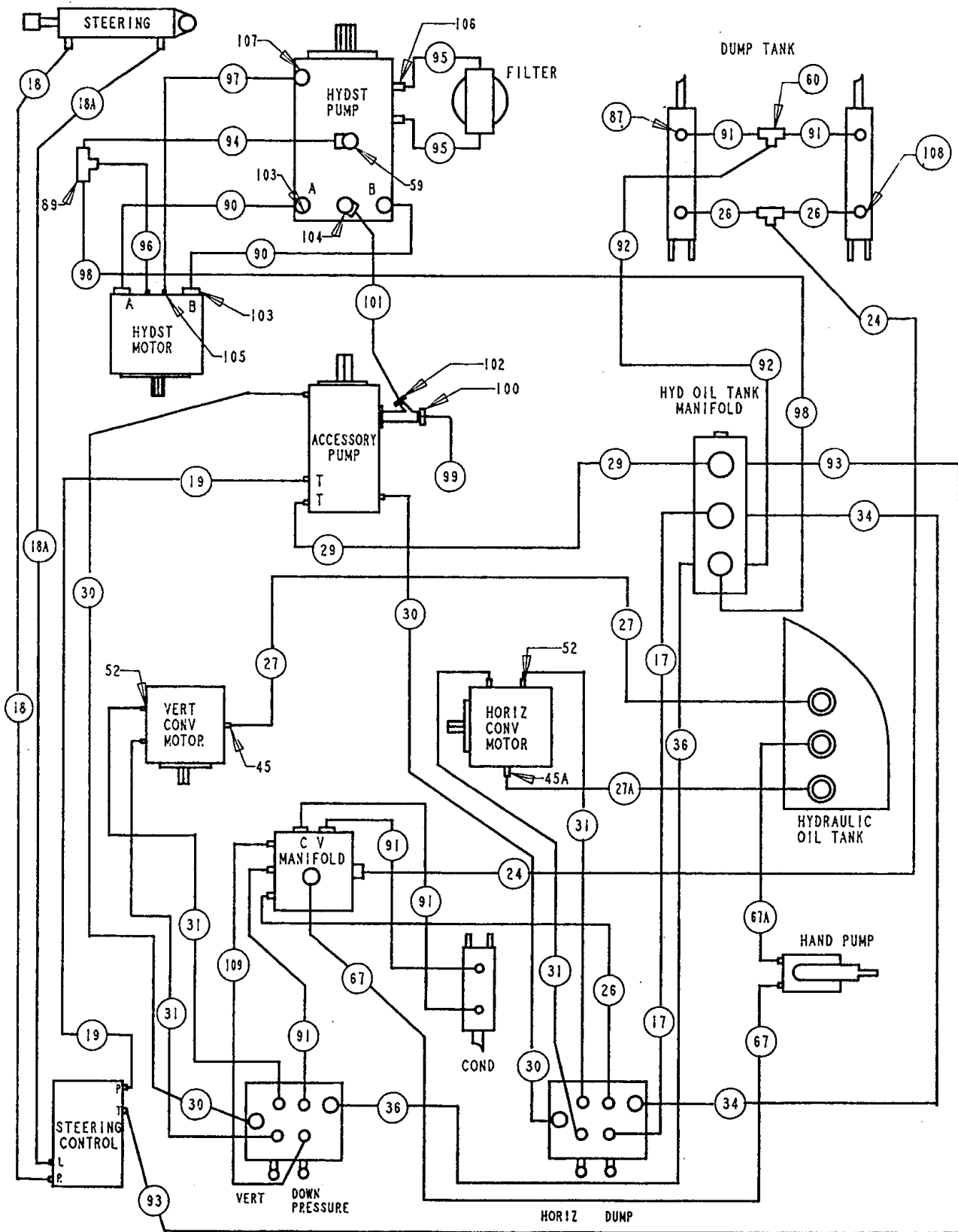
* ZAMBONI *
MODEL 500 PARTS LIST

GROUP 7.010 HYDRAULIC SYSTEM SERIAL NUMBER 5343-5557



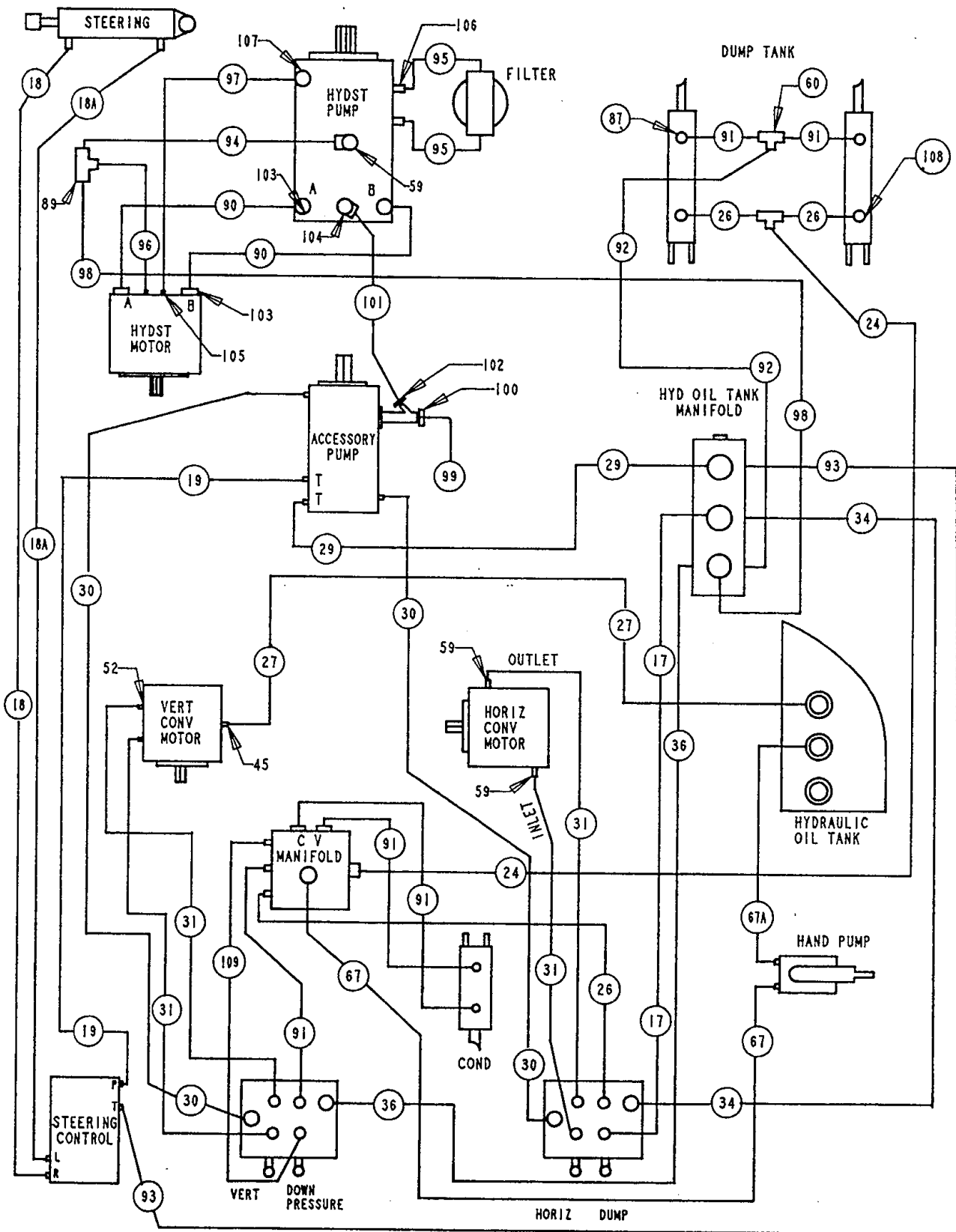
* ZAMBONI *
MODEL 500 PARTS LIST

GROUP 7.010 HYDRAULIC SYSTEM SERIAL NUMBER 5558-5578



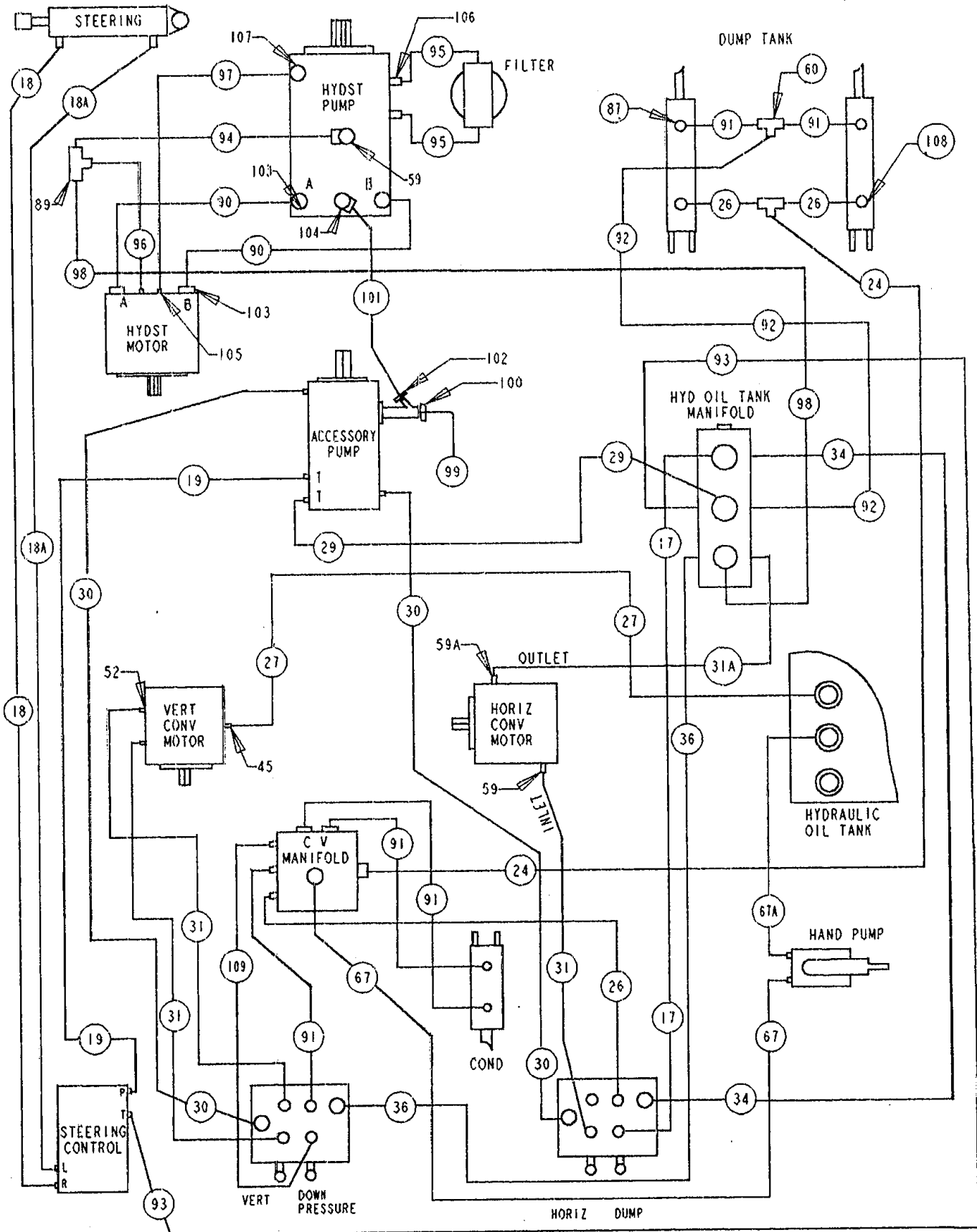
* ZAMBONI *
MODEL 500 PARTS LIST

GROUP 7.010 HYDRAULIC SYSTEM SERIAL NUMBER 5615-6489



* ZAMBONI *
MODEL 500 PARTS LIST

GROUP 7.010 HYDRAULIC SYSTEM SERIAL NUMBER 6490-



* ZAMBONI *
MODEL 500 PARTS LIST

GROUP 7.010 HYDRAULIC SYSTEM

IND	NEW PART NO	OLD P/NO	DESCRIPTION	QTY	SERIAL NO
ITEMS SHOWN WITHOUT PART NO. ARE IDENTIFIED UNDER ANOTHER GROUP-SEE APPROPRIATE GROUP					
1			STEERING CONTROL		
2			STEERING CYLINDER		
3			HAND PUMP		
4			MOTOR VERTICAL CONVEYOR		
5			MOTOR, HORIZONTAL CONVEYOR (CONDITIONER)		
6			VALVE, HYDRAULIC CONTROL		
7			HYDRAULIC OIL TANK		
8			CONDITIONER LIFT BAR CYLINDER		
9			DUMP TANK CYLINDER		
10			HYDRAULIC DOUBLE PUMP		
11			HYDROSTATIC PUMP		
12			HYDROSTATIC MOTOR		
13			RELIEF VALVE (SEE HYDRAULIC OIL TANK GRP)		
14	2V-78920	7892	VALVE, BYPASS	1	2804-3493
15		1550	MANIFOLD, DUMP TANK CYL, UPPER	1	2804-2811
16		1549	MANIFOLD, DUMP TANK CYL, LOWER	1	2804-2811
17	PM-1076B	3918	HOSE, 1/4 X 19,06MP X 06MP	1,2	2804-3727
17	PM-3072B		HOSE, 3/8 X 18,06MP X 06MP	1	3758-5377
	PM-3076D		HOSE, 3/8 X 20,06MP X 06MP	1	5543-6863 7000,7001
	PM-3092F		HOSE, 3/8 X 23,06MB X 08MP	1	6848,6863-
18	PM-1692B	7570	HOSE, 1/4 X 168,04MP X 06MP	1,2	2804-
18A	PM-1705B		HOSE, 1/4 X 174,04MP X 06MP	1	5343-
19	PM-1540B	1775	HOSE, 1/4 X 135,06MP X 06MP	1	2804-3727
19	PM-3540B		HOSE, 3/8 X 135,06MP X 06MP	1	3758-
20	PM-1240C	7572	HOSE, 1/4 X 60,06MP X 06MP	1,2	2804-3581
21	PC-6080B	1776	HOSE, 1 X 20, 16HS X 16FJ	1	2804-3493
22	PM-1176B	3788	HOSE, 1/4 X 44,06MP X 06MP	1,2	2804-4767
23	PM-1104B	7575	HOSE, 1/4 X 26,06MP X 06MP	2,5	2804-3156
24	PM-1460B	1769	HOSE, 1/4 X 115,06MP X 06F7	2	2804-2811
24	PM-1464B	1967	HOSE, 1/4 X 116,06MP X 06MP	1,2	2812-
25	PM-1127B	7358	HOSE, 1/4 X 31-3/4,06MP X 06F7	2	2804-2811
25	PM-1176B	3788	HOSE, 1/4 X 44,06MP X 06MP	2	2812-3156
26	PM-1060B	7359	HOSE, 1/4 X 15,06MP X 06F7	2	2804-2811
26	PM-1120B	1969	HOSE, 1/4 X 30,06MP X 06MP	1,2,3	2812-6862 7000,7001
	PM-3132C		HOSE, 3/8 X 33, 08MB X 08MP	1	6848,6863-
27	PM-3180B	7577	HOSE, 3/8 X 45,06MP X 06MP	1,2,1	2804-5557
	PM-3260A		HOSE, 3/8 X 60,06MP X 06MP	1	5558-

* ZAMBONI *
MODEL 500 PARTS LIST

GROUP 7.010 HYDRAULIC SYSTEM (CONT'D)

NEW IND	OLD PART NO	P/NO	DESCRIPTION	QTY	SERIAL NO
27A	PM-3196B		HOSE, 3/8 X 49,06MP X 06MP	1	5343-5557
	PM-3153A		HOSE, 3/8 X 30,06MP X 06MP	1	5558-5578
28	PM-3148B	7578	HOSE, 3/8 X 37,06MP X 06MP	1	2804-3156
29	PM-3436B	5525	HOSE, 3/8 X 109,06MP X 06MP	1	2804-4767
	PM-3436D		HOSE, 3/8 X 112,06MP X 06MP	1	4786-
30	PM-4488B	7587	HOSE, 1/2 X 122,08MP X 08MP	2,3	2804-6862 7000,7001
	PM-4500A		HOSE, 1/2 X 125, 10MB X 08MP	2	6848,6863-
31	PM-4248B	7581	HOSE, 1/2 X 62,08MP X 08MP	1,4,3	2804-6862 7000,7001
	PM-4260B		HOSE, 1/2 X 65, 08MB X 08MP	3	6848,6863-
31A	PM-6158B		HOSE, 3/4 X 45, 12MP X 12MP	1	6490-
32	PM-4180B	7582	HOSE, 1/2 X 45,08MP X 08MP	1	2804-3156
33	PM-4188B	7583	HOSE, 1/2 X 47,08MP X 08MP	1	2804-3156
34	PM-4064B	2641	HOSE, 1/2 X 16,08MP X 08MP	1	2804-3156
34	PM-4072B	3674	HOSE, 1/2 X 18,08MP X 08MP	1,2	3157-
35	PM-4148B	7584	HOSE, 1/2 X 37,08MP X 08MP	1	2804-3156
36	PM-4104B	7585	HOSE, 1/2 X 26,08MP X 08MP	1,2	2804-5377
	PM-4120B		HOSE, 1/2 X 30,08MP X 08MP	1	5543-
37	PF-3104B	6652	HOSE, 3/8 X 26,06MP X 06MP	1	2804-3493
38	PC-6067B	1777	HOSE, 1 X 16-3/4,16HS X 16F7	1	2804-3581
39	RC-0096A	1781	HOSE, 1 X 24	1	2804-3156
	27-2016A	703	CLAMP, HOSE	2	2804-3156
40	F0-67230	6772	90 ELBOW, 16HY X 16MJ	2	2804-3581
41	F3-71210	6773	90 ELBOW, LONG, 16MJ X 16FJ	1	2804-3493
42	F3-71070	1779	90 ELBOW, SHORT, 16MJ X 16FJ	1	2804-3493
43			ADAPTER-SEE STEERING		
44	F2-62020	942	ADAPTER 05MP X 06MPA	1	2804-5034
45	F2-69080	950	90 ELBOW, SHORT, 06FS X 06MP	2,4,3	2804-
45A	F2-69081		90 ELBOW, SHORT, 06FS X 06MP	1	2804-5578
46	FE-0111E	669	NIPPLE, SCHED 80, BLACK PIPE, 3/8 X 2	1	2804-3493
47	F2-62030	941	ADAPTER, 08MP X 08MPA	2	2804-5034
49	F2-69090	978	90 ELBOW, SHORT, 06FS X 08MP	4	2804-3156
50	F2-75080	979	45 ELBOW, 06FS X 08MP	2	2804-3156
51			ADAPTER-SEE STEERING		
52	F2-69130	969	90 ELBOW, SHORT, 08FS X 12MP	4	2804-
53	F1-64580	987	ADAPTER, 10MB X 08FP	1	2804-3217
54	FW-43401	772	TOE NIPPLE, 3/4 x 2	1	2804-3217
55A	FW-38410	7694	QD COUPLING HALF, MALE, 1/2 HOSE	2	2804-5034
55B	FW-39410	7694	QD COUPLING HALF, FEMALE, 1/2 HOSE	2	2804-5034

* ZAMBONI *
MODEL 500 PARTS LIST

GROUP 7.010 HYDRAULIC SYSTEM (CONT'D)

NEW IND	OLD PART NO	P/NO	DESCRIPTION	QTY	SERIAL NO
56A	FW-38240	7695	QD COUPLING HALF, MALE, 3/8 HOSE	1	2804-5034
56B	FW-39240	7695	QD COUPLING HALF, FEMALE, 3/8 HOSE	1	2804-5034
57	FD-04220	601	90 STREET EL, REDUCING, 3/4FP X 1/2MP	1	2804-3217
58	FO-99010	7059	BLOCK, BYPASS TEE	2	2804-3581
	2E-0219B	633	O-RING, BYPASS TEE	6	2804-3581
59	F1-69090	622	90 ELBOW, 10MB X 08FS	3	2804-3337
59	F1-69110		90 ELBOW, 12MB X 08FS	3,1	3338-
59A	F1-69120		90 ELBOW, 12MB X 12FS	1	6490-
		1972	BRACKET, DUMP CYL TEE SUPPORT	1	2812-3156
	HA-10009	265	SCREW, HEX, HD, 3/8-16 X 3/4	1	2812-3156
	HA-10981	243	LOCKNUT, HEX, 3/8-16	1	2812-3156
60	F2-64080	962	ADAPTER, 06FS X 06MP	6	2812-3156
60	F2-64080	962	ADAPTER, 06FS X 06MP	3	3057-3156
60	F2-81030	935	TEE, 06FS X 06FS X 06FS	2	3157-
61	FI-81550	956	TEE, 06GP X 06GP X 06FP	1,2	2812-3156
62	FO-96030	632	SPLIT FLANGE HALF	8	2804-3581
	HA-10018	362	SCREW, HEX HD, 3/8-16 X 2-1/2	8	2804-3581
	HA-10014	297	SCREW, HEX HD, 3/8-16 X 1-1/2	8	2804-3581
63	3R-73280	7328	VENT, 1/2	2	3057-3156
64	FD-0116E	545	NIPPLE, SCHED 40, 1/2 X 2	2	2804-2811
65	F2-70080		90 ELBOW, 06FS X 08FP	2	3157-3727
66	PM-1152B	3913	HOSE, 06MP X 06MP X 38	1	3157-3581
67	PM-1072C		HOSE, 04MP X 06MP X 18	2,1	3157-
67A	PM-1108A		HOSE, 04MP X 06MP X 27	1	4732-5557
	PM-1109A		HOSE, 04MP X 06MP X 25	1	5558-
68	F2-64090	958	ADAPTER, 05FS X 08MP	1	3157-3493
69	FL-62060		HEX NIPPLE, 30 DEG SEATS, 08MP X 06MP	1	3157-3581
70	FD-02210		90 ELBOW, 3/4	1	3218-3337
71	FD-01212		NIPPLE, SCHED 40, 3/4 X 5	1	3218-3337
72	FD-15160		REDUCING BUSHING, 1-1/4 X 3/4	2	3218-3337
73	3R-05000		FILTER ASSY, INCLUDING ELEMENT	1	3218-3337
74	3R-79450	7945	FILTER ELEMENT, 10 MICRON	1	3218-3337
75	FD-0121A		NIPPLE, SCHED 40, 3/4 X CLOSE	1	3218-3337
76	2V-10070		GATE VALVE, BRONZE	1	3218-3337
77	F1-69430		90 ELBOW, 16MB X 16FP	1	3338-3581
78	FW-42160		COUPLING, 1 HOSE X 16MP	1	3338-3581
79	FW-43401		NIPPLE, TOE, SCHED 40, 3/4 X 2	1	3218-3337
80	PM-6540B		HOSE, 12MP x 12MP x 135	1	3526-3581
81	PC-6089B		HOSE, 16HS X 16F7 X 22-1/4	1	3526-3581
82	4P-0500B		BYPASS TUBE, STRAIGHT	1	3526-3581
83	F3-67300		90 ELBOW, 06MP X 06MJ	3	3526-3581
84	2V-10030		VALVE, BYPASS	1	3526-3581
85	F3-62660		ADAPTER, 06MP X 06MJ	1	3526-3581

* ZAMBONI *
MODEL 500 PARTS LIST

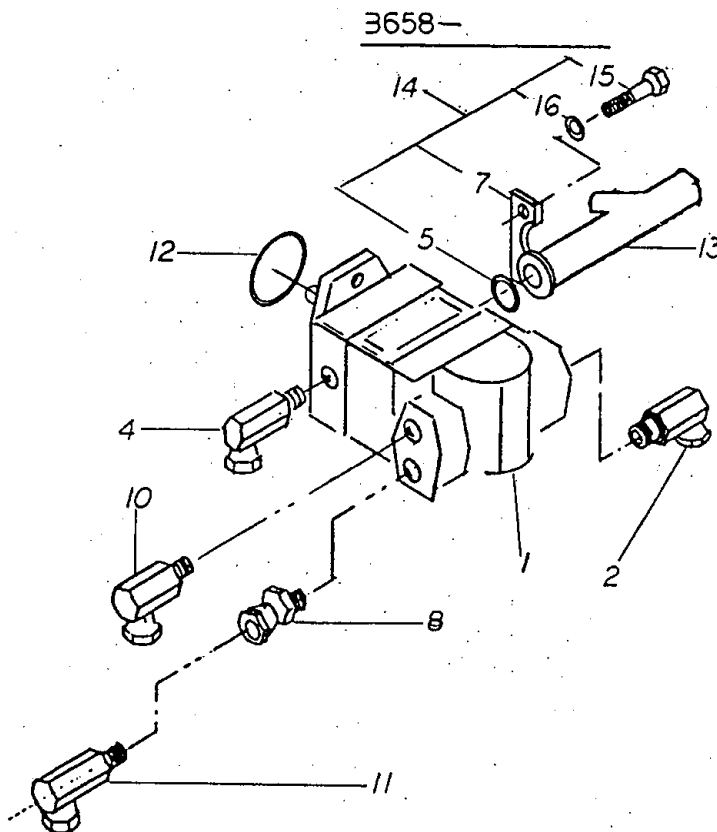
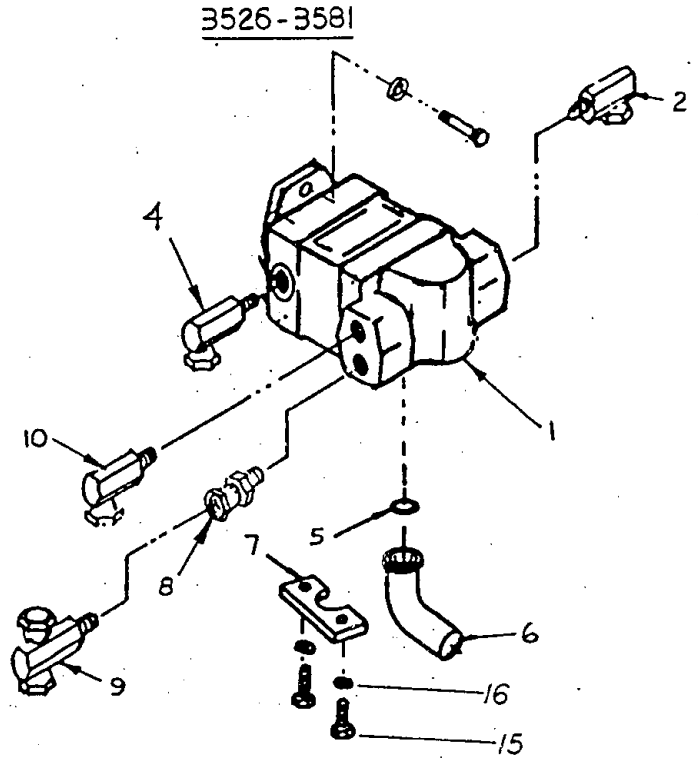
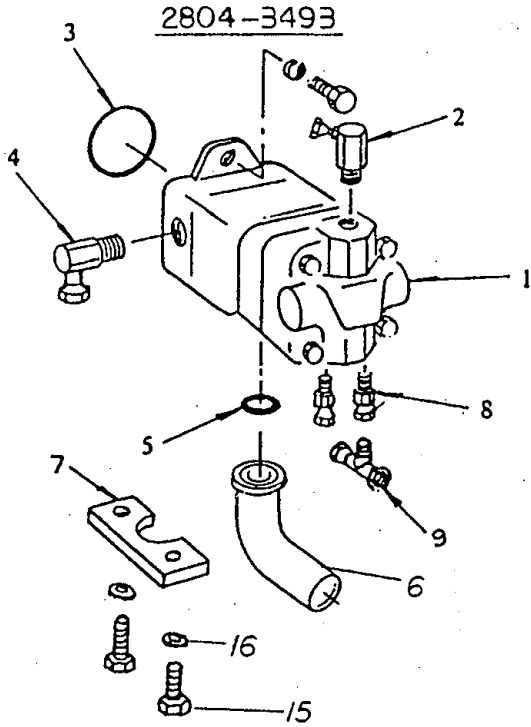
GROUP 7.010 HYDRAULIC SYSTEM (CONT'D)

IND	NEW PART NO	OLD P/NO	DESCRIPTION	QTY	SERIAL NO
86	4P-0500A		BYPASS TUBE	1	3526-3581
87	F2-69090		90 ELBOW, 06FS X 08MP	1,2	3526-
88	FL-62070		HEX NIPPLE,08MP X 08MP	2	3526-3727
89	F2-81050		TEE, 12FS	1	3658-
90	PC-6088B		HOSE,16FJ X 16TN X 22	2	3658-5822 6090-6101
	PC-4110B		HOSE,12FJ X 12FN X 22	2	5979-
91	PM-1144D		HOSE,06MP X 06MP X 36	3,5	3658-6862 7000,7001
	PM-3156C		HOSE, 08MB X 08 MB X 39 (Control Valve)	1	6848,6863-
92	PM-1508B		HOSE,06MP X 05MP X 127	1	3658-
93	PM-3252B		HOSE,06MP X 06MP X 63	1	3658-
94	PM-4100D		HOSE,08MP X 12MP X 25	1	3658-
95	PM-4116B		HOSE,08MP X 08MP X 29	2	3658-
96	PM-6080B		HOSE,12MP X 12MP X 20	1	3658-
97	PM-6128B		HOSE,12MP X 12MP X 32	1	3658-
98	PM-6456B		HOSE,12MP X 12MP X 114	1	3658-
99	PX-6400A		HOSE,2 X 100,SUCTION	1	3658-
100	27-2204K		CLAMP, T-BOLT, 2 INCH HOSE	2	3658-
101	PX-3040A		HOSE, 1 X 10,SUCTION	1	3658-
102	27-2202A		CLAMP, T-BOLT, 1 INCH HOSE	2	3658-
103	F1-62370		ADAPTER, 16MB, 16MJ	4	3658-5822 6090-6101
	F1-62360		ADAPTER, 16MB, 12MJ	4	5979-
104	FW-11300		90 EL, 16MB, 1 INCH HOSE	1	3658-
105	F1-64350		ADAPTER, 08MB, 12FS	2	3658-
106	F1-75080		45 EL, 10MB, 08FS	2	3658-
107	F1-64400		ADAPTER, 12MB, 12FS	1	3658-
108	F2-75080		45 EL, 06FS, 08MP	2	3758-
109	PM-3024B		HOSE, 3/8 X 6, 06MB90, 06MP	1	3758-4623
	PM-3124B		HOSE, 3/8 X 31, 06MP,06MP	1	4732-6862 7000,7001
	PM-3136E		HOSE, 3/8 X 34, 08MB, 08MP	1	6848,6863-
110	PM-3116B		HOSE, 3/8 X 29, 06MB90, 06MP	1	3758-4627

* ZAMBONI *
MODEL 500 PARTS LIST

GROUP 7.020 HYDRAULIC DOUBLE PUMP & HAND PUMP

HYDRAULIC DOUBLE PUMP



* ZAMBONI *
MODEL 500 PARTS LIST

GROUP 7.020 HYDRAULIC PUMP AND EMERGENCY HAND PUMP

IND	NEW PART NO	OLD P/NO	DESCRIPTION	QTY	SERIAL NO
<u>HYDRAULIC DOUBLE PUMP</u>					
1	2P-19030	1903	PUMP, HYDRAULIC, DOUBLE	1	2804-3493
	7499		REPAIR KIT FOR PUMP 2P-19030	1	2804-3493
1	2P-05100		PUMP, HYDRAULIC DOUBLE	1	3526-3581
1	2P-06000		*PUMP, HYD., DOUBLE (FOR HYD. BOARD BRUSH KIT)	1	3658-4781
	2P-06200		PUMP, HYD., DOUBLE (FOR SOLENOID BB KIT)	1	5009-
	HA-14014	218	SCREW, HEX HD, 1/2 -13 X 1-1/2	2	2804-
	HA-14862	223	LOCKWASHER, 1/2	2	2804-
2	F1-69090	622	90 ELBOW, 10MB XC 08FS	1	2804-
3	2E-0242B	9233	O-RING	1	2804-3493
4	F1-69110	946	90 ELBOW, 12MB X 08FS	1	2804-
5	2E-0228B	6986	O-RING	1	2804-
6	FW-54410	1735	90 ELBOW, 2 HOSE X 2 SPLIT FLANGE	1	2804-3581
7	FO-96060	7458	SPLIT FLANGE HALF	2	2804-
8	F1-64330	975	ADAPTER, 08MBV X 06FS	2,1	2804-
9	F2-81130		TEE, 06FS X 06MP	1	3157-3581
10	F1-69050		90 ELBOW, 08MB X 06FS	1	3526-
11	F2-69080		90 ELBOW, 06FS X 06MP	1	3658-
12	2E-0045B		O-RING	1	3658-
13	23-05000		MANIFOLD, SUCTION PORT	1	3658-
14	FO-96069		SET, SPLIT FLANGE HALVES	1	2804-
15	HA-14014		SCREW, HEX HD, 1/2-13 X 1-1/2	4	2804-
16	HA-14862		LOCKWASHER, 1/2	4	2804-

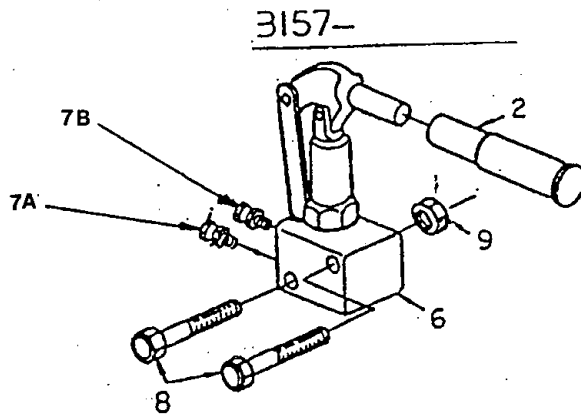
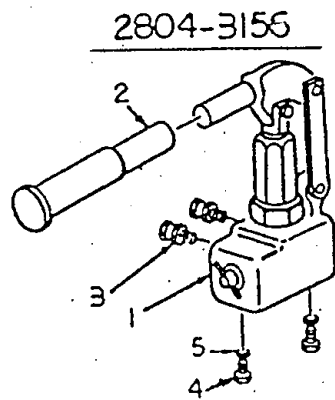
*NOTE:

IF YOU NEED TO REPLACE THE HYDRAULIC DOUBLE PUMP AND YOUR ICE RESURFACER IS IN THE SERIAL RANGE 2804-4781 AND YOU HAVE PURCHASED A SOLENOID BOARD BRUSH KIT, YOU NEED TO ORDER PUMP 2P-06200.

* ZAMBONI *
MODEL 500 PARTS LIST

GROUP 7.020 HYDRAULIC DOUBLE PUMP & EMERGENCY HAND PUMP (CONT'D)

EMERGENCY HAND PUMP



* ZAMBONI *
MODEL 500 PARTS LIST

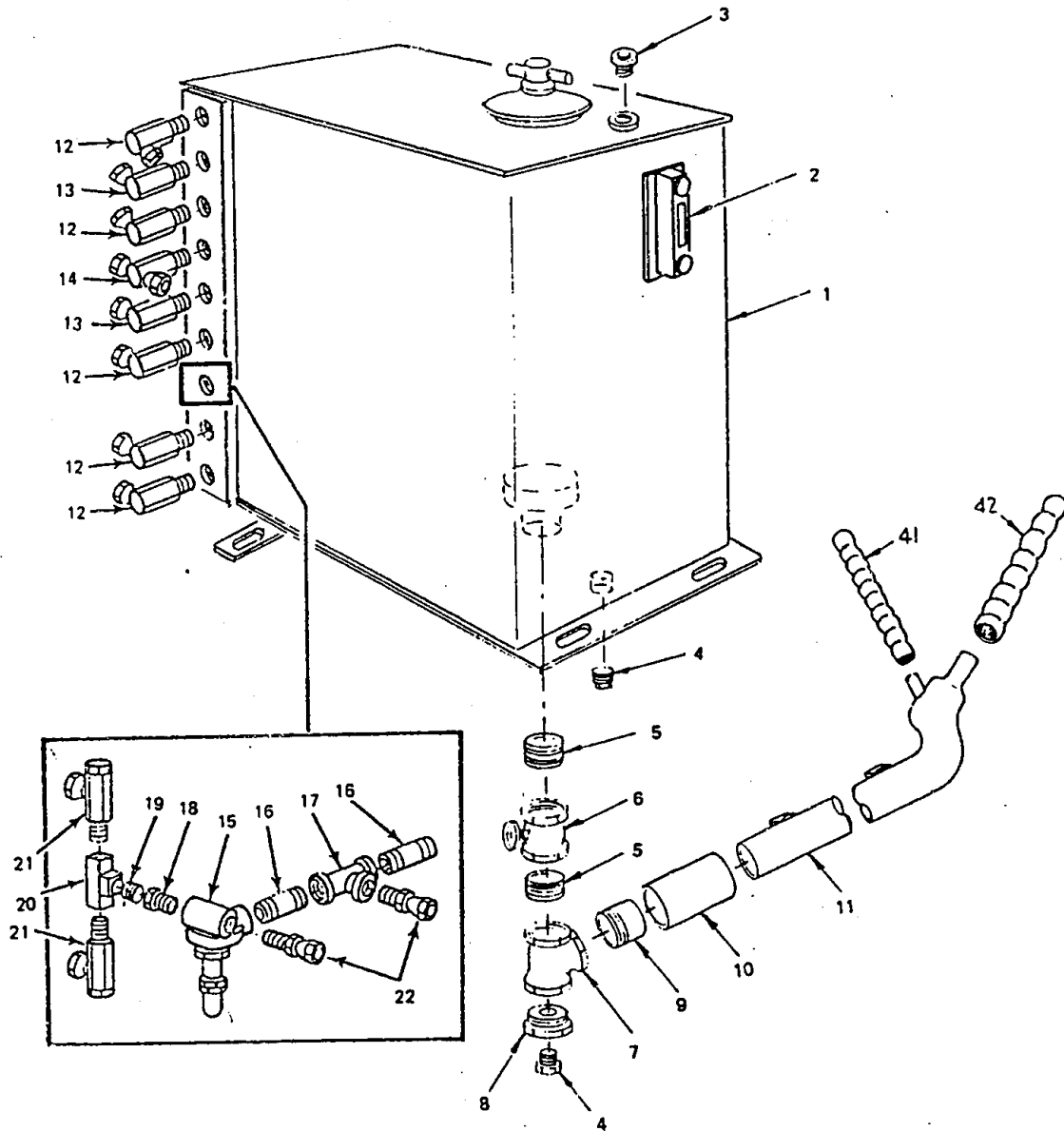
GROUP 7.020 HYDRAULIC PUMP AND EMERGENCY HAND PUMP (CONT'D)

IND	NEW PART NO	OLD P/NO	DESCRIPTION	QTY	SERIAL NO
<u>EMERGENCY HAND PUMP</u>					
1	KZ-38930	1645	KIT, HAND PUMP & HANDLE (INCLUDES ITEM 6)	1	2804-3156
	2P-16451		SEAL KIT FOR VSL PUMP	1	2804-3156
2	4A-40770	4077	HANDLE, HAND PUMP	1	2804-3156
2	2P-1000H		HANDLE, HAND PUMP	1	3157-7163
	2P-2000H		HANDLE, HAND PUMP	1	7208-
3	F2-64080	962	ADAPTER, 06FS X 06MP	2	2804-3156
4	HA-10011	252	SCREW, HEX HD, 3/8-16 X 1	2	2804-3156
5	HA-10862	228	LOCKWASHER, 3/8	2	2804-3156
6	KZ-10010		KIT, HAND PUMP WITH RELIEF VALVE, W/HANDLE	1	3155-5190
	2P-1002P		HAND PUMP W/RELIEF VALVE, W/OUT HANDLE	1	5191-7163
	2P-10001		SEAL KIT FOR PUMP 2P-1002P	1	3157-7163
	2P-20000		HAND PUMP W/RELIEF VALVE, W/OUT HANDLE	1	7208-
	2P-20001		SERVICE KIT FOR PUMP 2P-20000	1	7208-
7	F2-64040		ADAPTER, 04FS X 04MP	2	3157-4623
7A	F2-69040		90 EL 04FS X 04MP	1	4732-5190
	F1-69010		90 EL 04FS X 04MB	1	5191-
7B	F2-69290		90 EL 04FS X 04MP	1	4732-5190
	F1-69210		90 EL 04FS X 04MB	1	5191-
8	HA-10018		SCREW, HEX HD, 3/8-16 X 2-1/2	2	3157-7163
	HA-06116		CAP SCREW, SKT HD, 1/4-20 X 2	2	7208-
9	HA-10981		LOCKNUT, HEX, 3/18-16	2	3157-7163
	HA-06981		LOCKNUT, HEX, 1/4-20	2	7208-

* ZAMBONI *
MODEL 500 PARTS LIST

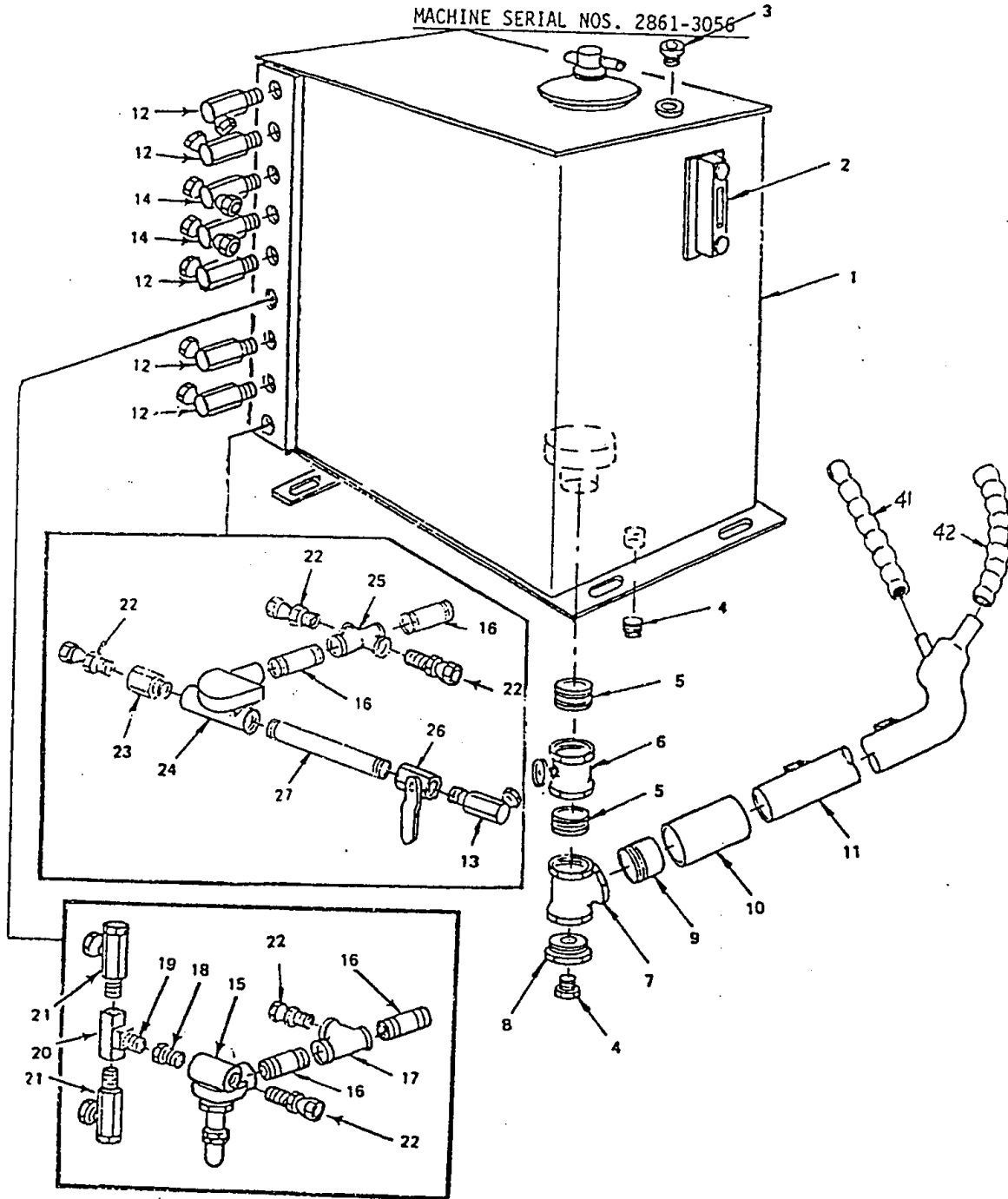
GROUP 7.030 HYDRAULIC OIL TANK

SERIAL NUMBER 2804-2860



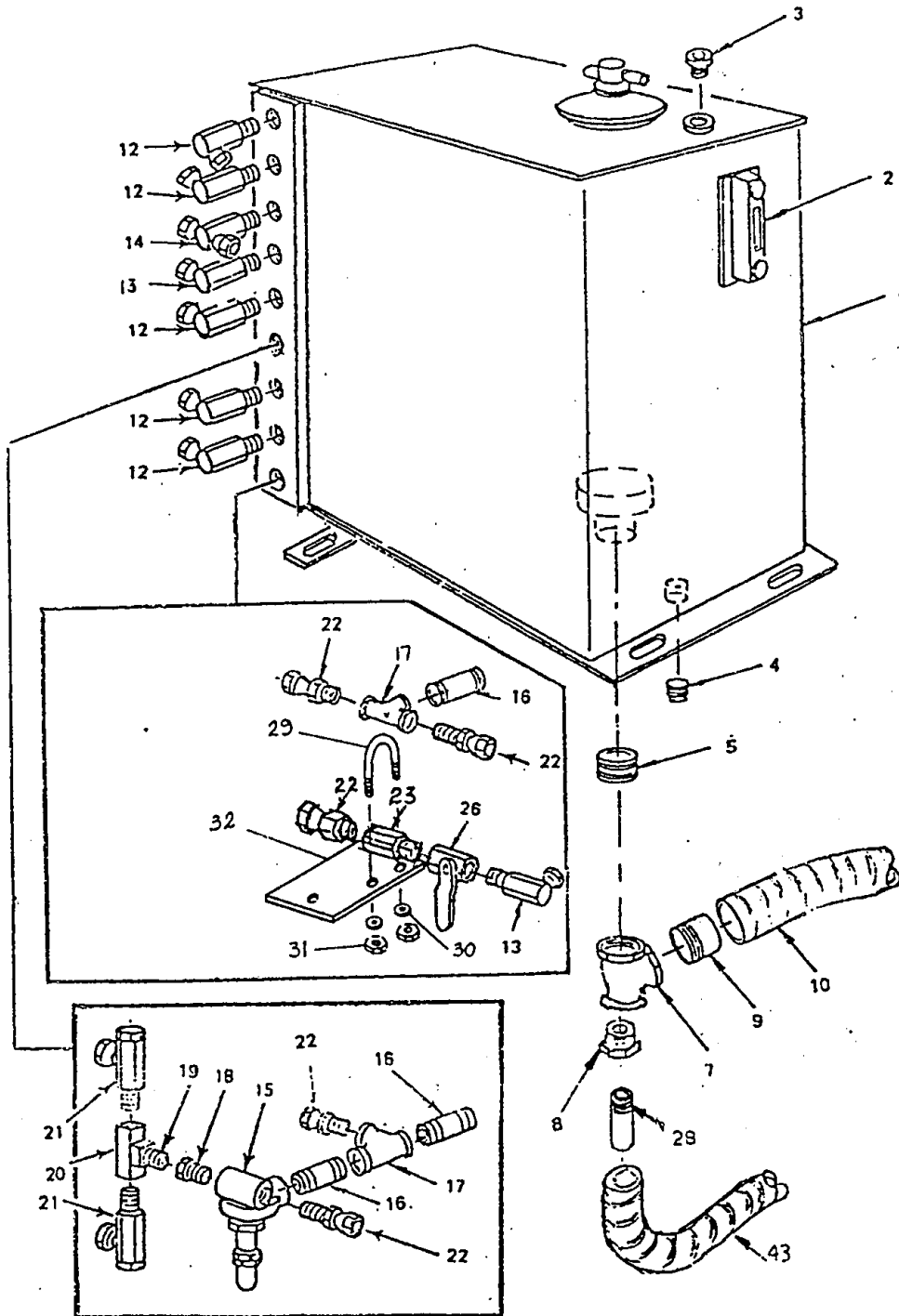
* ZAMBONI *
MODEL 500 PARTS LIST

GROUP 7.030 HYDRAULIC OIL TANK SERIAL NUMBER 2861-3056



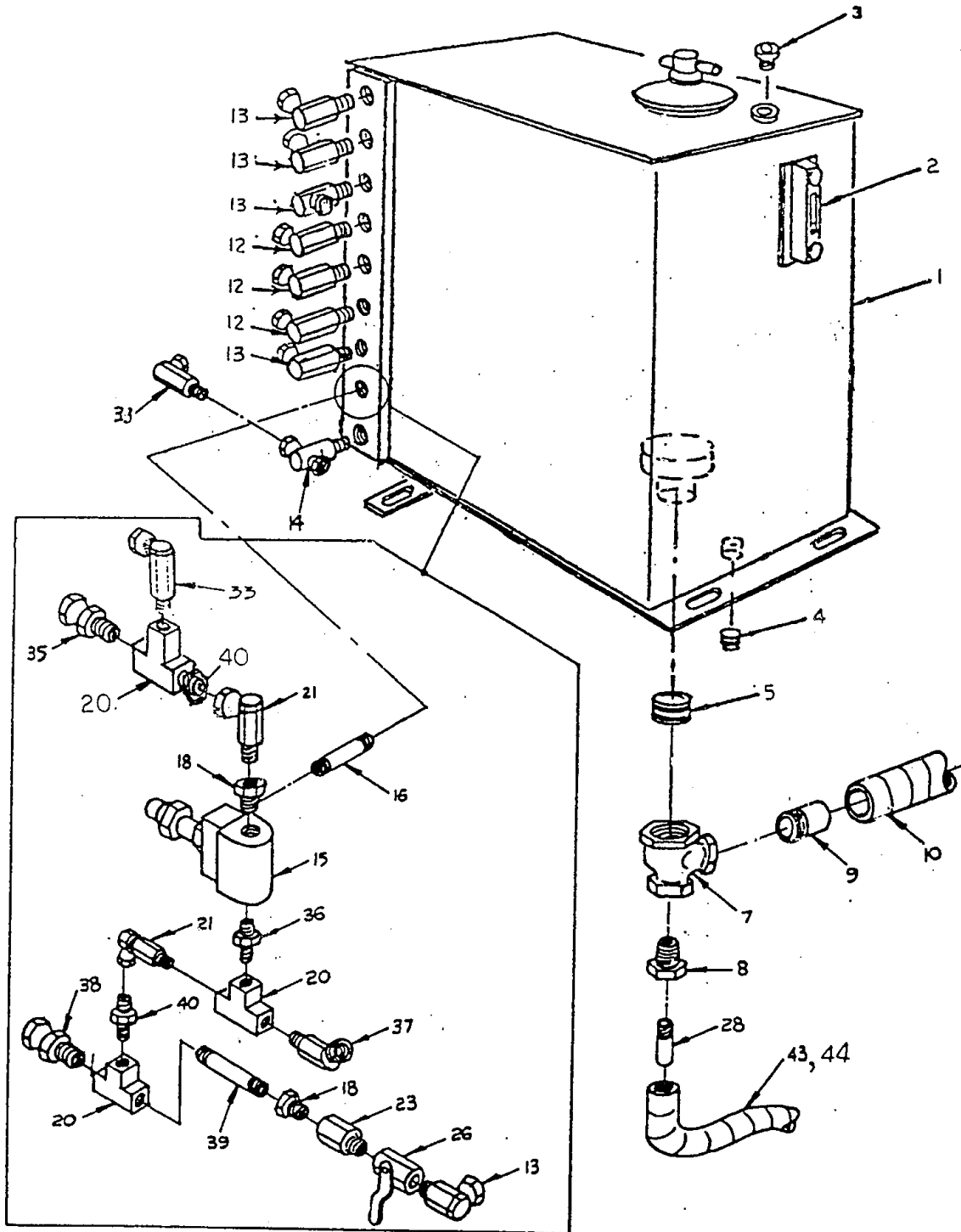
* ZAMBONI *
MODEL 500 PARTS LIST

GROUP 7.030 HYDRAULIC OIL TANK SERIAL NUMBER 3057-3156



* ZAMBONI *
MODEL 500 PARTS LIST

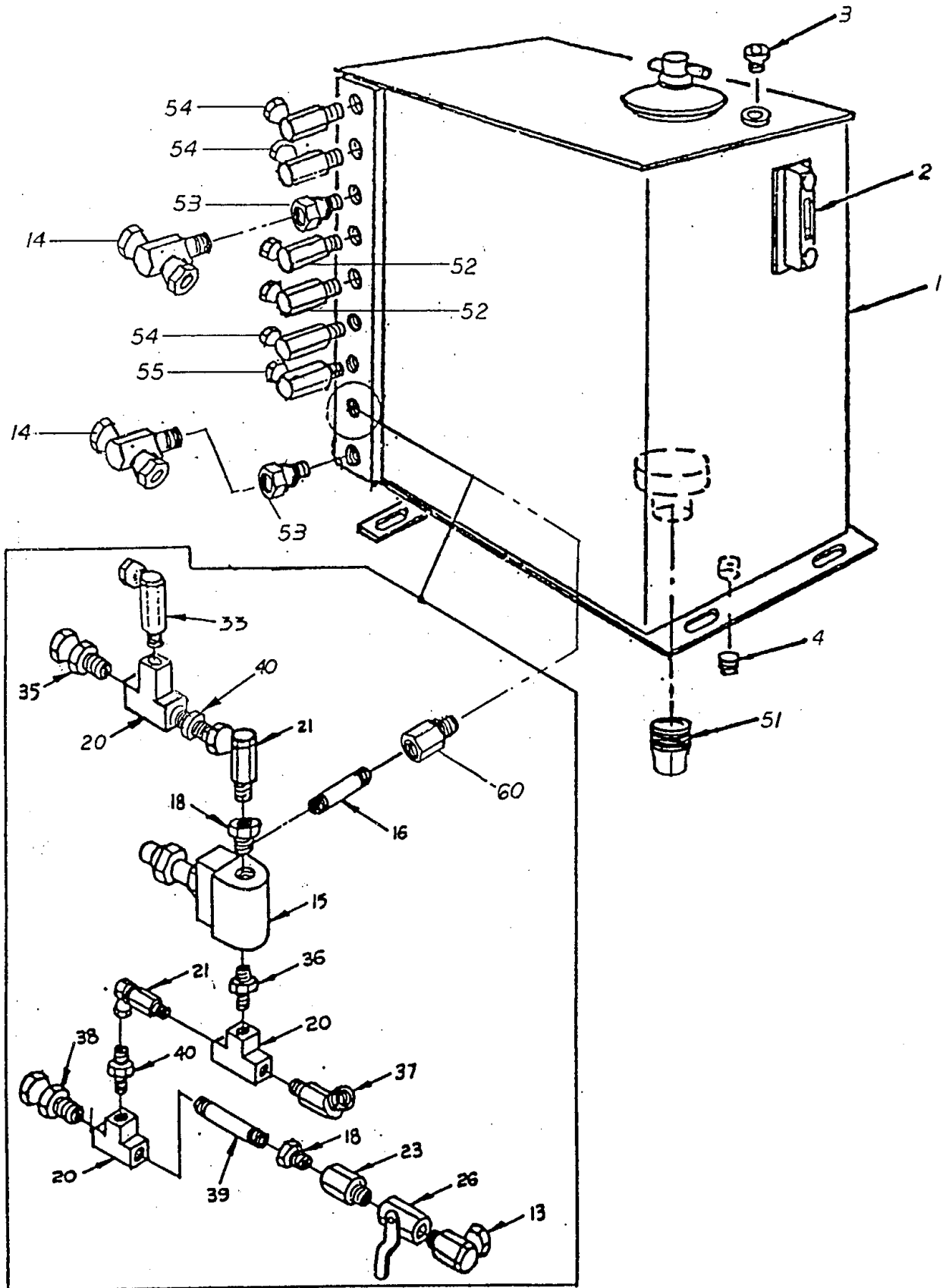
GROUP 7.030 HYDRAULIC OIL TANK SERIAL NUMBER 3157-3581



* ZAMBONI *
MODEL 500 PARTS LIST

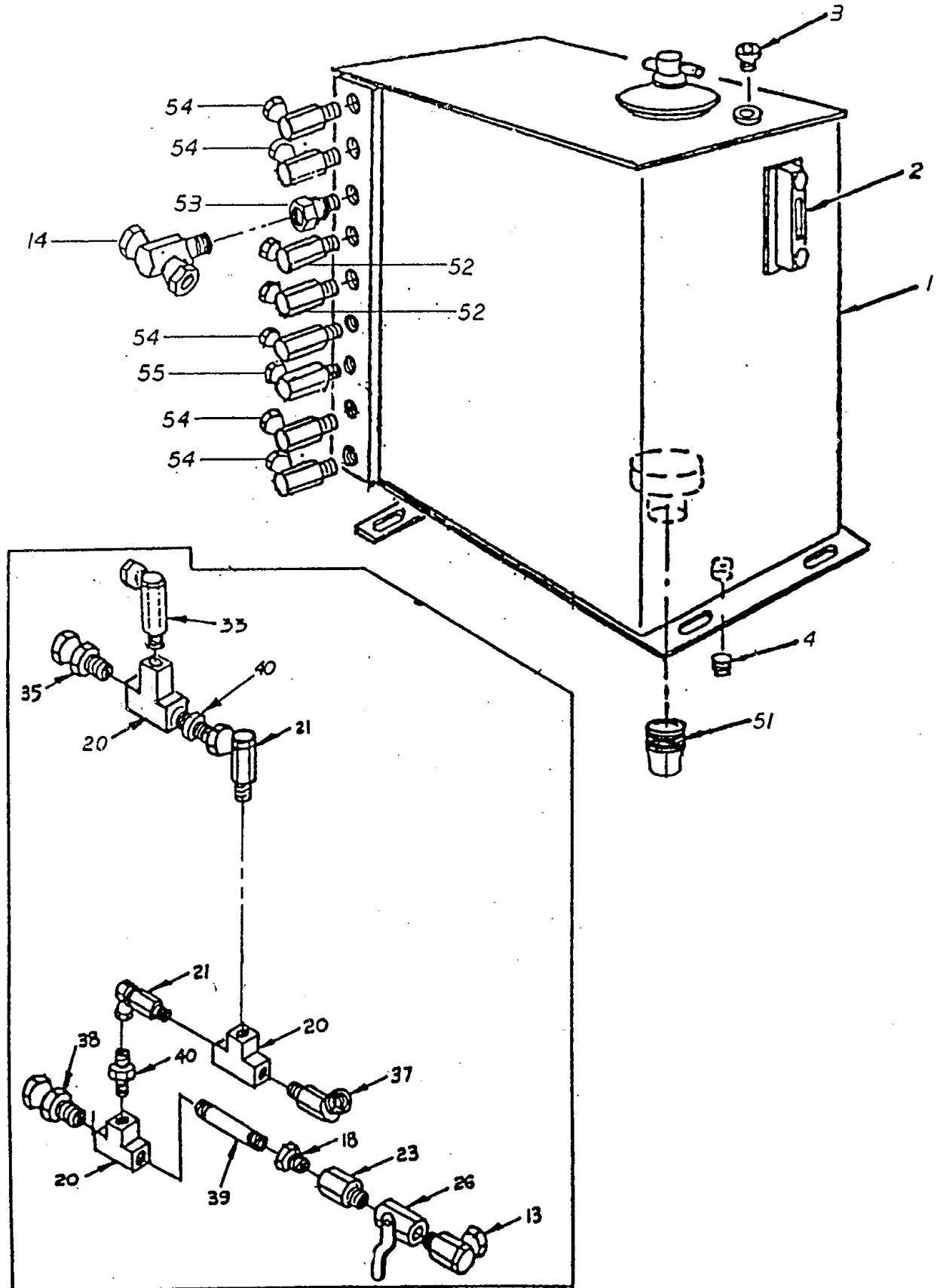
GROUP 7.030 HYDRAULIC OIL TANK

SERIAL NUMBER 3658-3727



* ZAMBONI *
MODEL 500 PARTS LIST

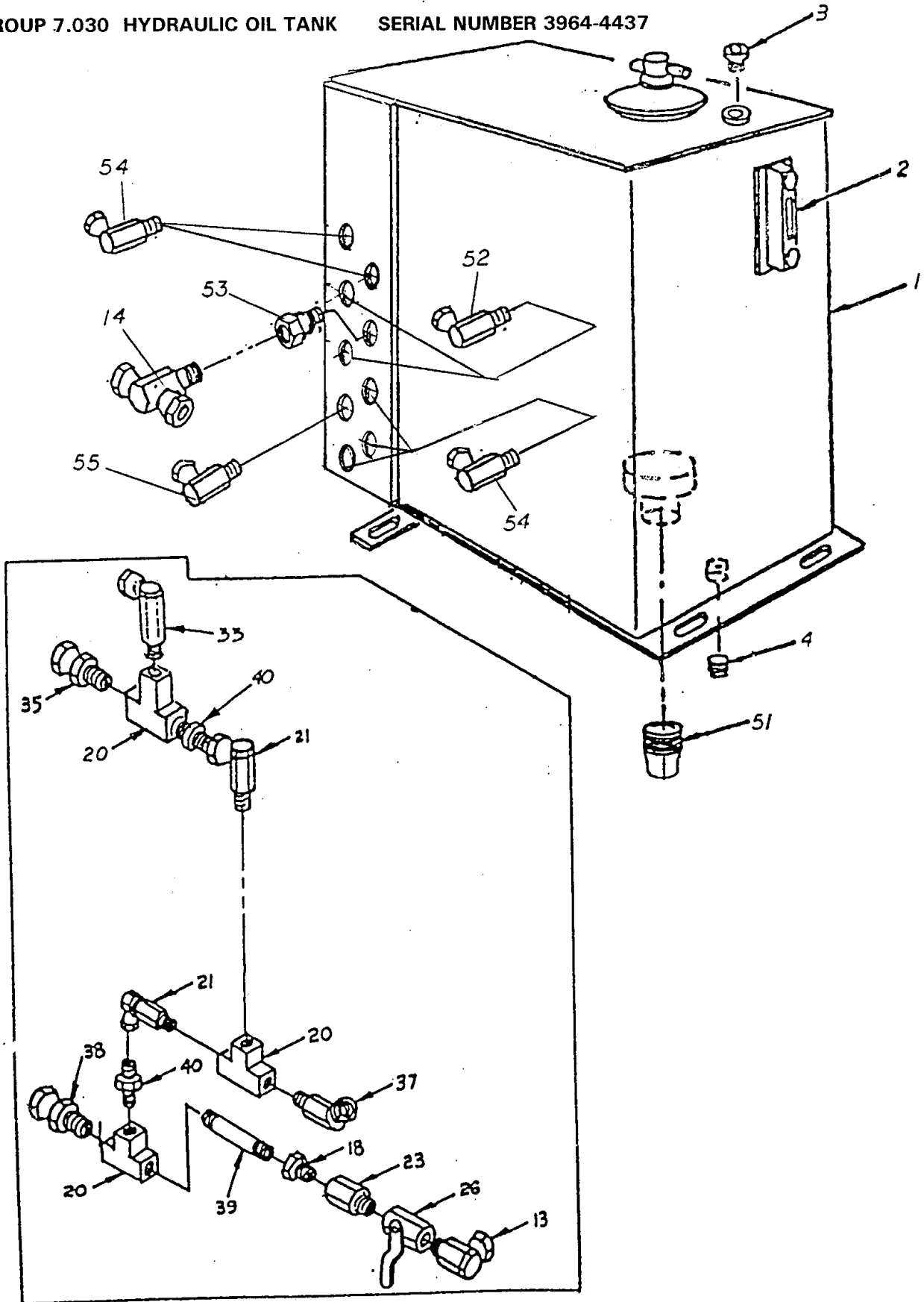
GROUP 7.030 HYDRAULIC OIL TANK SERIAL NUMBER 3758-3817



* ZAMBONI *
MODEL 500 PARTS LIST

GROUP 7.030 HYDRAULIC OIL TANK

SERIAL NUMBER 3964-4437



* ZAMBONI *
MODEL 500 PARTS LIST

GROUP 7.030 HYDRAULIC OIL TANK

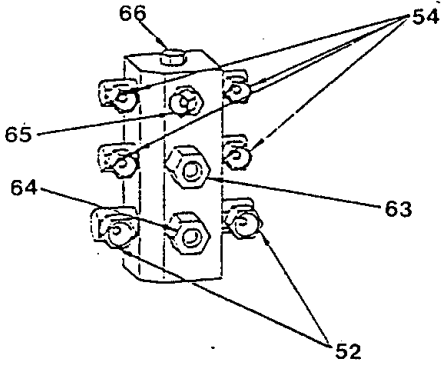
IND	NEW PART NO	OLD P/NO	DESCRIPTION	QTY	SERIAL NO
1	7A-15600	1560	TANK, HYDRAULIC OIL, PIPE THRD PORTS	1	2804-3581
1	7A-15610		TANK, HYDRAULIC OIL, STR THRD PORTS	1	3658-3817
1	7A-15620		TANK, HYDRAULIC OIL, STAGGERED STR THRD PORTS	1	3964-4437
1	7A-15801		TANK, HYDRAULIC OIL	1	4539-5178
	7A-15806		TANK, HYDRAULIC OIL	1	5179-
	HA-10013	251	SCREW, HEX HD, 3/8-16 X 1-1/4	3	2804-
	HA-10860	142	FLAT WASHER, 3/8	3	2804-
	HA-10981	243	LOCKNUT, HEX, 3/8-16	3	2804-
2	7K-15740	1574	SIGHT GAUGE, OIL LEVEL	1	2804-
3	3R-73280	7328	AIR VENT, FILTERED	1	2804-4437
3	7D-50010		FILLER, BREATHER	1	4539-
3A	7A-15809		PLATE, LID	1	4539-
	2D-15800		GASKET, LID PLATE	1	4539-
	HA-06009		SCREW, HEX HD, 1/4-20 X 3/4	6	4539-
4	FD-18220	495	PLUG, 3/4	1,2	2804-
5	FD-0141J	598	CLOSE NIPPLE, 2	2	2804-3056
5	FD-01415		NIPPLE, 2 X 5-1/2	1	3057-3581
6	2V-33240	3324	GATE VALVE, 2	1	2804-3056
7	FD-08410	771	TEE, 2	1	2804-3056
7	FD-09790		TEE, REDUCING, 2 X 1-1/4 X 1-1/2	1	3057-3581
8	FD-15290	1018	REDUCING BUSHING, 2 X 2/4	1	2804-3056
8	FD-15160	788	REDUCING BUSHING, 1-1/4 X 3/4	1	3057-3581
9	FW-43851	770	NIPPLE, TOE, SCHED 40, 2 X 2	1	2804-3056
9	FW-43741	659	NIPPLE, TOE, SCHED 40, 1-1/2 X 3-1/2	1	3057-3581
10	RD-1088A	1782	HOSE, 2-3/8 X 23	1	2804-3056
10	RC-7400A		HOSE, 1-7/8 X 100	1	3057-3581
	27-20400	702	CLAMP, 2-3/8 HOSE	2	2804-3056
	27-2036A	701	CLAMP, 1-7/8 HOSE	2	3057-3581
11		1730	MANIFOLD, HYDRAULIC OIL SUCTION	1	2804-3056
	HA-10011	252	SCREW, HEX HD, 3/8-16 X 1	2	2804-3056
	HA-10860	142	FLAT WASHER, 3/8	2	2804-3056
	HA-10981	243	LOCKNUT, HEX, 3/8	2	2804-3056
11	7A-15850		MANIFOLD, HYDRAULIC OIL RETURN	1	4539-4623
	7A-15860		MANIFOLD, HYDRAULIC OIL RETURN	1	4732-5197
	7A-15870		MANIFOLD, HYDRAULIC OIL RETURN	1	5198-6519
	7A-15890		MANIFOLD, HYDRAULIC OIL RETURN	1	6523-
12	F2-69120	970	90 ELBOW, 08FS X 08MP	3,5	2804-3581
13	F2-69090	978	90 ELBOW, 06FS X 08MP	1,5	2804-3581
14	F2-81140	933	TEE, 06FS RUN X 08MP BRANCH	1,2	2804-4437
15	2V-76190	7619	RELIEF VALVE	1	2804-3727
16	FD-0116B	543	NIPPLE, SCHED 40, 1/2 X 1-1/2	1,3	2804-3156
16	FD-0116R		NIPPLE, SCHED 40, 1/2 X 3-1/2	1	3157-3727

* ZAMBONI *
MODEL 500 PARTS LIST

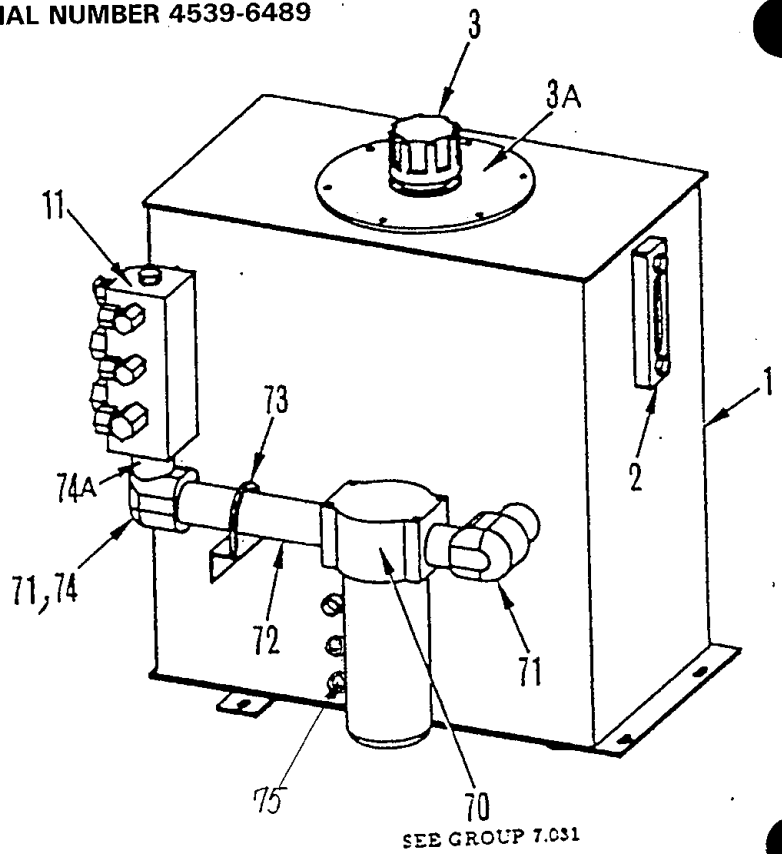
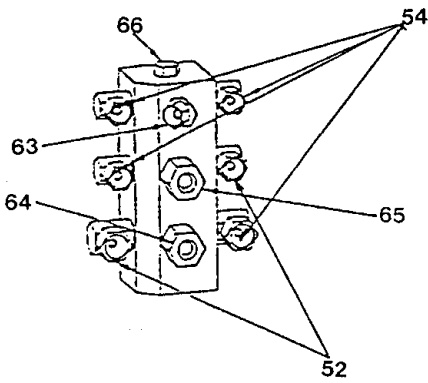
GROUP 7.030 HYDRAULIC OIL TANK

SERIAL NUMBER 4539-6489

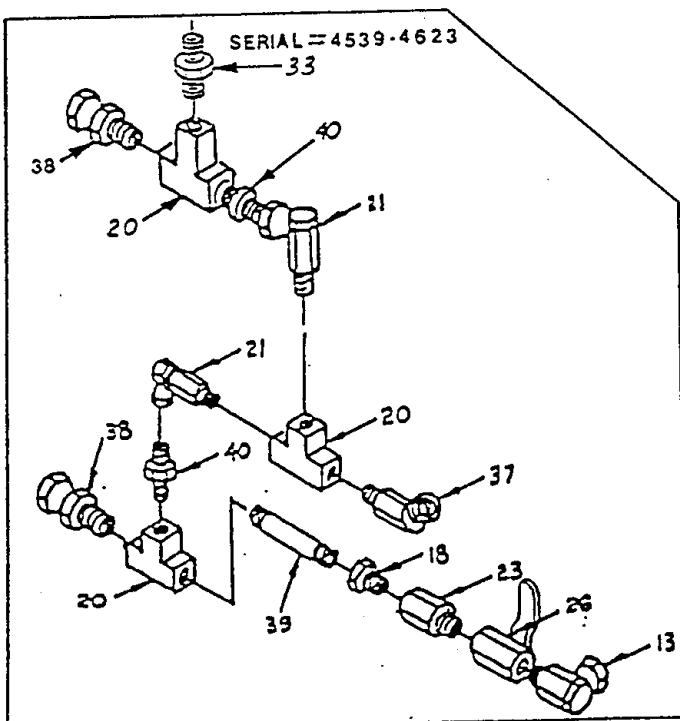
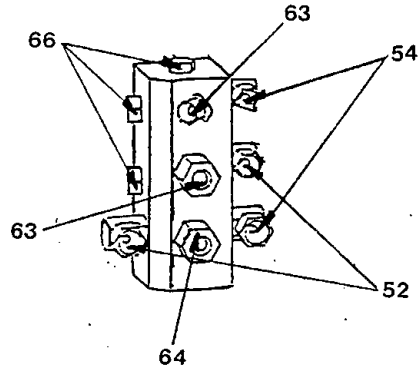
4 5 3 9 - 5 1 7 8



5 1 7 9 - 5 5 5 7



5 5 5 8 - 6 5 1 8



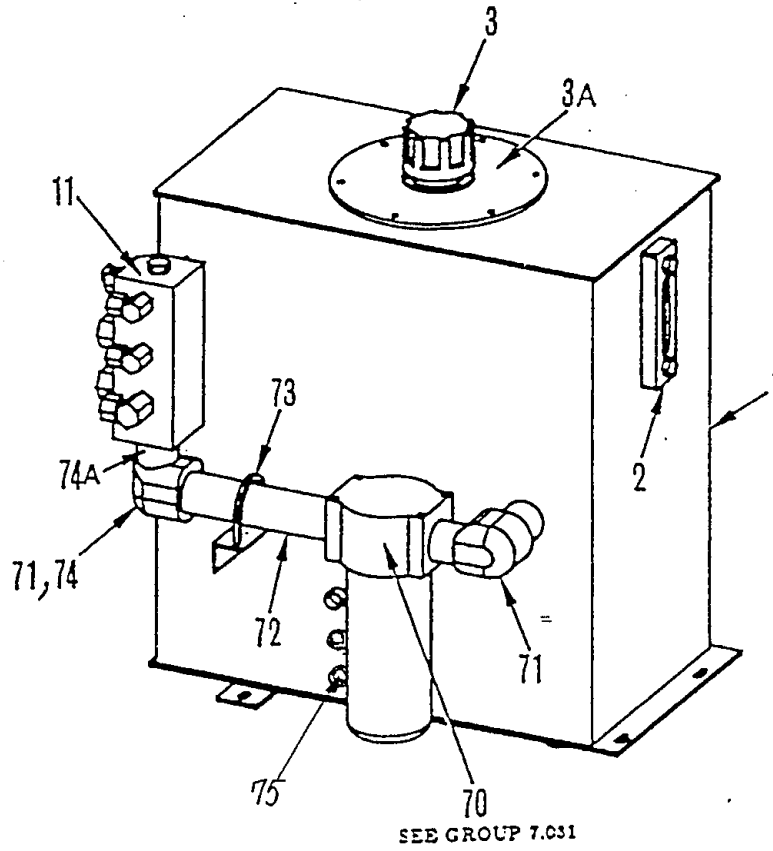
* ZAMBONI *
MODEL 500 PARTS LIST

GROUP 7.030 HYDRAULIC OIL TANK (CONT'D.)

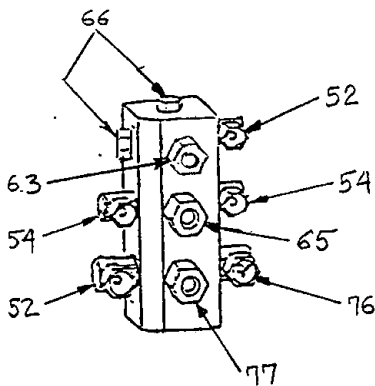
IND	NEW PART NO	OLD P/NO	DESCRIPTION	QTY	SERIAL NO
17	FD-08160	528	TEE, 1/2	1,2	2804-3156
18	FH-15030	497	HEX BUSHING, 1/2 X 3/8 NPT	1,2	2804-4623
19	FD-0111A	620	NIPPLE, SCHED 40, 3/8 NPT X CLOSE	1	2804-3156
20	FL-81550	956	TEE, 06FP RUN X 06FP BRANCH	1,3	2804-4623
21	2V-09470	947	CHECK-VALVE, 90 ELBOW, 06FS X 06MP	2	2804-4623
22	F2-64090	958	ADAPTER, 06FS X 08MP	2,5	2804-3156
23	2V-4658C		THROTTLE/CHECK VALVE, 5/64 ORIFICE	1	2861-4623
24	2V-12690	1269	RELIEF VALVE	1	2861-3156
25	FD-17160	944	CROSS, 1/2	1	2861-3156
26	2V-12210	1221	BALL VALVE, 1/2	1	2861-4623
27	FE-0117M	1222	NIPPLE, HEAVY WALL, 1/2 X 10	1	2861-3156
28	FW-43401	772	NIPPLE, SCHED 40, 3/4 X 2	1	3057-3581
29	1L-73040	7304	U-BOLT	1	2861-3156
30	HA-10862		LOCKWASHER, 3/8	2	2861-3156
31	HA-11980		NUT, HEX, 3/8-24	2	2861-3156
32	5T-10080		BRACKET, BY-PASS VALVE SUPPORT	1	2861-3156
33	F2-69080	950	90 ELBOW, 06FS X 06MP	1,2	3157-4437
	F2-62020		ADAPTER, 06MPA, 06MP	1	4539-4623
35	F2-9304L	943	RESTRICTOR, .090, 06MP X 06FS	1	3157-4623
36	FL-62060		HEX NIPPLE, 08MP X 06MP	1	3157-3727
37	F2-75070		45 ELBOW, 06FS X 06MP	1	3157-4623
38	F2-64080	962	ADAPTER, 06FS X 06MP	1,2	3157-4623
39	FD-0111R		NIPPLE, SCHED 40, 3/8 X 3-1/2	1	3157-4623
40	F2-62020	942	ADAPTER, 06MP X 06MPA	2	3157-4623
41	RC-0096A	1781	HOSE, 1 X 24	1	2804-3056
42	RC-7072A	1780	HOSE, 1-7/8 X 18	1	2804-3056
43	RC-0412A		HOSE, 1 X 104	1	3057-3581
44	RC-0356A		HOSE, 1 X 89	1	3218-3337
	27-2036A	701	CLAMP, 1-7/8 HOSE	2	2804-3056
	27-2016A	703	CLAMP, 1 HOSE	2	2804-3581
51	FW-10110		NIPPLE, 2 X 2 HOSE	1	3658-
52	F1-69060		90 ELBOW, 08MB, 08FS	2	3658-6862
					7000,7001
	F1-69090		90 ELBOW, 08MB, 08FS	0	6848-
53	F1-64340		ADAPTER, 08MB, 08FS	1	3658-
54	F1-69050		90 ELBOW, 08MB, 06FS	3,5	3658-
55	F1-69070		90 ELBOW, 08MB, 12FS	1	3658-
63	F1-64330		ADAPTER, 08MB, 06FS	1	4539-6862
					7000,7001
	F1-64330		ADAPTER, 08MB, 06FS	0	6848-
64	F1-64350		ADAPTER, 08MB, 12FS	1	4539-

* ZAMBON *
MODEL 500 PARTS LIST

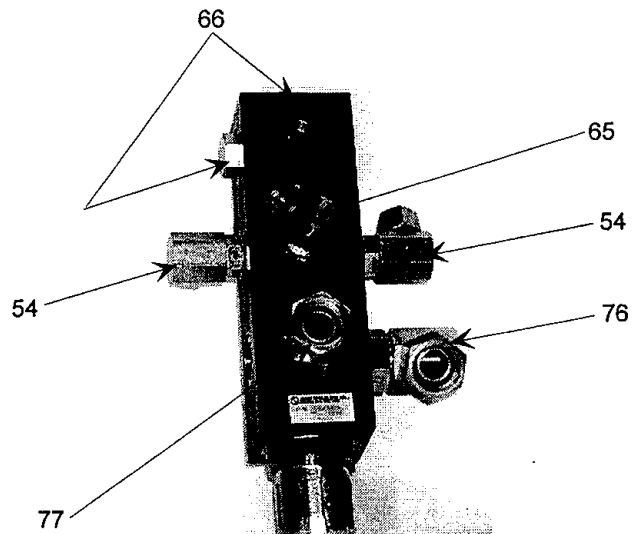
GROUP 7.030 HYDRAULIC OIL TANK SERIAL NUMBER 6490-



6519-6862



6863-



* ZAMBONI *
MODEL 500 PARTS LIST

GROUP 7.030 HYDRAULIC OIL TANK (CONT'D.)

IND	NEW PART NO	OLD P/NO	DESCRIPTION	QTY	SERIAL NO
65	F1-75040		ADAPTER, 08MB, 06FS	1	4539-
66	F1-18040		PLUG, 08MB	3,1	4539-
70	3R-50000		FILTER, RETURN LINE	1	4539-5178
	3R-06500		FILTER, RETURN LINE	1	5179-6516,6519
	3R-06510		FILTER, RETURN LINE	1	6517-
71	FD-04360		STREET EL, 1-1/2 X 90	2	4539-4623
	FH-04360		90 STREET UNION 1-1/2	1	4732-4781
	FD-04360		STREET EL, 1-1/2 X 90	1	5009-5178
	FD-0136G		NIPPLE, CLOSE, 1-1/2	1	5009-5178
	FD-21360		UNION, 1-1/2	1	5009-5174
	FO-95040		FLANGED FITTING, 4-BOLT, DRILLED	1	5175-5178
	FO-95140		FLANGED FITTING, 4-BOLT, TAPPED	1	5175-5178
	F1-71220		90 ELBOW, SPECIAL	1	5179-
72	FD-01369		NIPPLE, 1-1/2 X 8	1	4539-4623
	FD-01365		NIPPLE, 1-1/2 X 5-1/2	1	4732-4781
	FD-0136W		NIPPLE, 1-1/2 X 4	1	5009-5178
	F1-71210		ADAPTER	1	5179-
73	27-31540		CLAMP, EXHAUST PIPE, 1-3/4	1	4539-5178
	1K-0535B		U-BOLT	1	5179-
74	F1-69441		90 STREET EL, 24FP X 24MB	1	4732-5178
	F1-67500		90 EL, 20MB X 20FJ	1	5179-
74A	F1-64150		ADAPTER	1	5179-5197
75	F1-18110		PLUG	1	5615-
76	F1-69070		90 EL, 08MB X 12FS	1	6490-6519
	F1-69120		90 EL, 12MB X 12FS	1	6523-
77	F1-64400		ADAPTER, 12MB X 12 FS	1	6523-

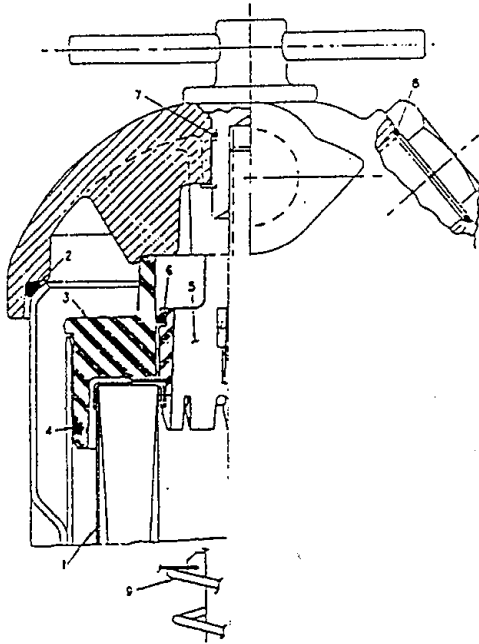
N/S = NOT SHOWN (INSIDE TANK)

N/S	FD-0136A		NIPPLE, CLOSE, 1-1/2	1	4539-
N/S	3R-50050		DIFFUSER	1	4539-5048
	3R-50055		DIFFUSER	1	5159-
N/S	2V-50040		CHECK VALVE	1	4539-6519
	FD-1336M		COUPLING, 1-1/2	1	6523-
	FD-0136M		NIPPLE, 1-1/2 X 3	1	6523-
N/S	3R-50060		STRAINER	1	4539-
N/S	FD-04360		STREET EL, 1-1/2 X 90	1	4539-

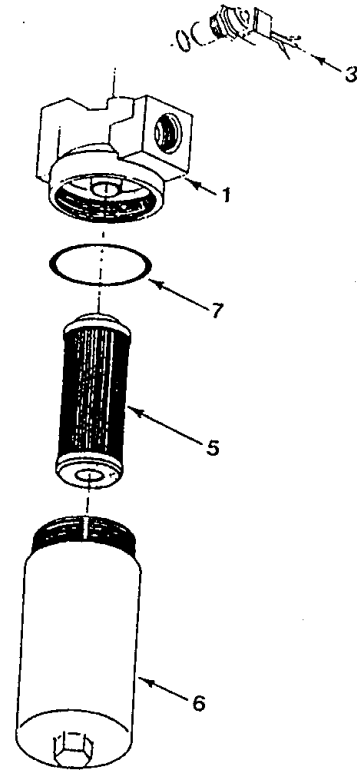
* ZAMBONI *
MODEL 500 PARTS LIST

GROUP 7.031 HYDRAULIC FILTER

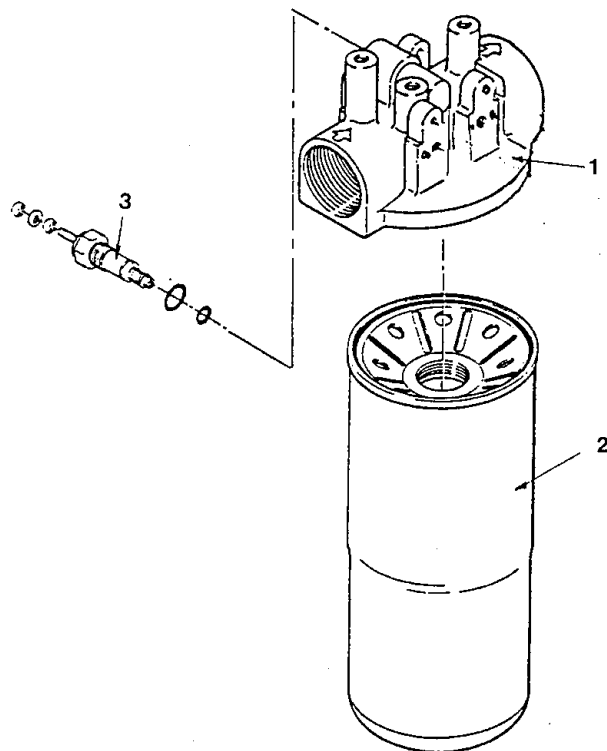
2804-4437



4539-5179



5180-



* ZAMBONI *
MODEL 500 PARTS LIST

GROUP 7.031 HYDRAULIC FILTER 2804-4437

IND	NEW PART NO	OLD P/NO	DESCRIPTION	QTY	SERIAL NO
	3R-1750V		SEAL KIT, INCLUDES 1 EA OF ITEMS 2,4,6,7,8		2804-4437
1	3R-1750L		FILTER ELEMENT, 10 MICRON	1	2804-3217
1	3R-1750W		FILTER ELEMENT, 40 MICRON	1	3218-3337
1	3R-1750P		FILTER ELEMENT, 25 MICRON	1	3338-3581
1	3R-1750L		FILTER ELEMENT, 16 MICRON	1	3658-4437
2	2E-0361B		O-RING	1	2804-4437
3	3R-1750T		BAFFLE & SEAL ASSY (INCLUDES ITEM 4)	1	2804-4437
4	3R-1750Z		SEAL	1	2804-4437
5	3R-1750R		VALVE & O-RING ASSY (INCLUDES ITEM 6)	1	2804-4437
6	2E-0228B		O-RING	1	2804-4437
7	2E-0119B		O-RING	1	2804-4437
8	2E-0920B		O-RING	1	2804-4437
9	3R-1750Y		SPRING	1	2804-4437
N/S	3R-1750N	1218	SWITCH, FILTER, MONITORING	1	2804-4437
N/S	3R-15750		COMPLETE WELDMENT ASSY	1	2804-4437

N/S = NOT SHOWN

HYDRAULIC FILTER 4539-5179

IND	NEW PART NO	OLD P/NO	DESCRIPTION	QTY	SERIAL NO
	3R-50000		HYDRAULIC FILTER ASSEMBLY	1	4539-5179
1	3R-50011		FILTER HEAD, HYD. OIL	1	4539-5179
3	3R-50015		SWITCH, PRESS., HYD. OIL	1	4539-5179
5	3R-50010		FILTER ELEMENT, HYD. OIL	1	4539-5179
6	3R-50012		FILTER BOWL, HYD. OIL	1	4539-5179
7	3R-50013		SEAL, FILTER BOWL, HYD. OIL	1	4539-5179

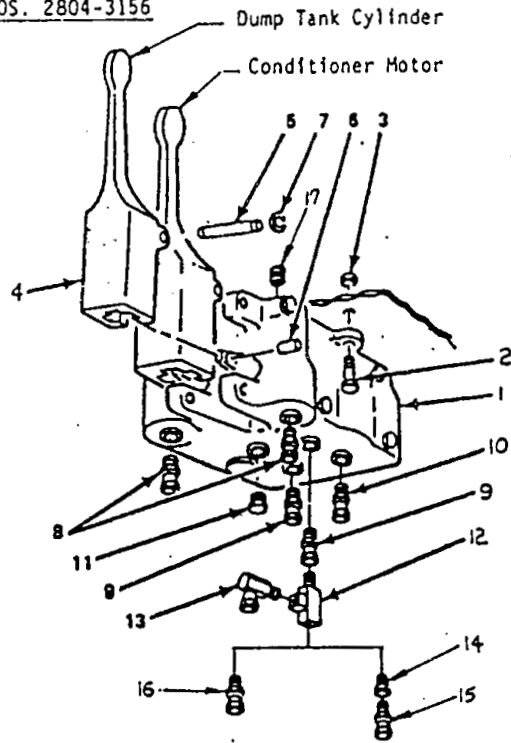
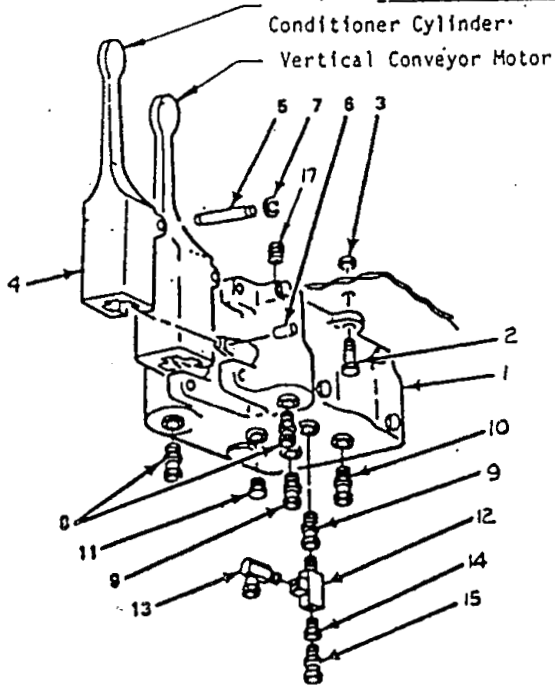
HYDRAULIC FILTER 5180-

IND	NEW PART NO	OLD P/NO	DESCRIPTION	QTY	SERIAL NO
	3R-06500		HYDRAULIC FILTER ASSEMBLY	1	5180-6519
	3R-06510		HYDRAULIC FILTER ASSEMBLY	1	6523-
1	3R-06522		FILTER HEAD	1	5180-6519
	3R-06511		FILTER HEAD (C/WITH ANTI-DRAIN CHECK VALVE)	1	6523-
2	3R-06521		FILTER ELEMENT	1	5180-
3	3R-06523		PRESSURE SWITCH	1	5180-

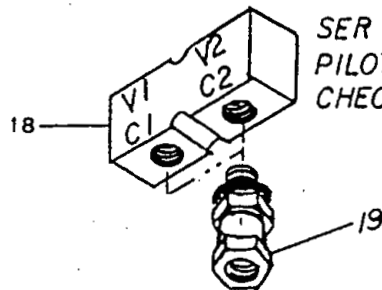
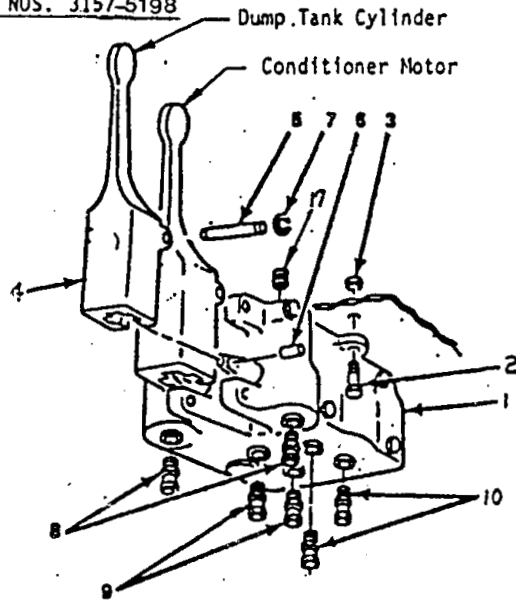
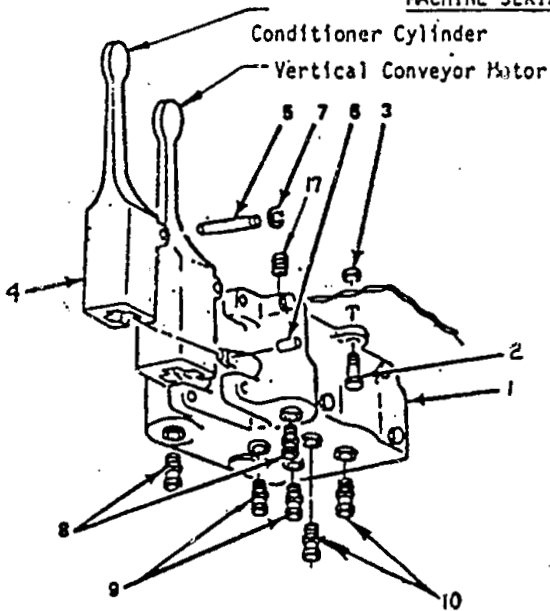
* ZAMBONI *
MODEL 500 PARTS LIST

GROUP 7.040 CONTROL VALVES SERIAL NUMBER 2804-5198

MACHINE SERIAL NOS. 2804-3156



MACHINE SERIAL NOS. 3157-5198



SER NO 3758-4727
PILOT OPERATED
CHECK VALVE

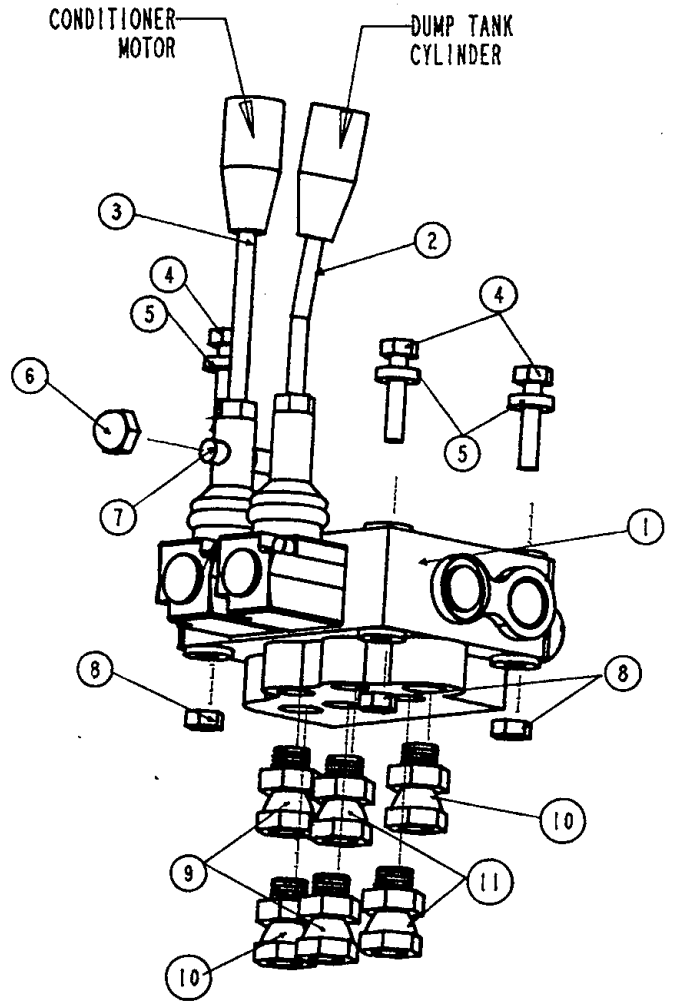
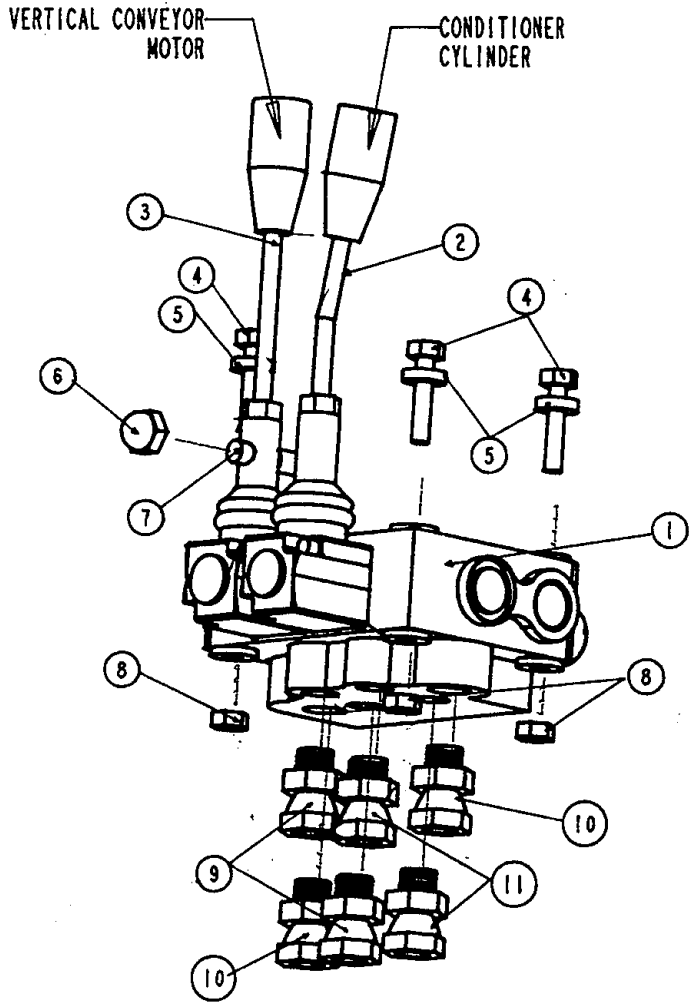
* ZAMBONI *
MODEL 500 PARTS LIST

GROUP 7.040 HYDRAULIC CONTROL VALVES

IND	NEW PART NO	OLD P/NO	DESCRIPTION	QTY	SERIAL NO
1	2V-75020	7502	VALVE, HYDRAULIC CONTROL	2	2804-5198
	3250		SEAL KIT FOR 2V-75020 VALVE	1	2804-5198
2	HA-10013	251	SCREW, HEX HD, 3/8-16 X 1-1/4	6	2804-5198
3	HA-10981	243	LOCKNUT, HEX, 3/8-16	6	2804-5198
4	4A-37800	3780	LEVER, CONTROL VALVE	4	2804-5198
5	16-85190	8519	PIN, CONTROL VALVE LEVER, LONG	2	2804-5198
6	16-37810	3781	PIN, CONTROL VALVE LEVER, SHORT	4	2804-5198
7	HA-7024A	3783	SNAP RING, PIN RETAINING	4	2804-5198
8	F1-64370	971	ADAPTER, 10MB X 08FS	4	2804-5198
	00-07701		O-RING, 10MB	4	2804-5198
9	F1-64340	972	ADAPTER, 08MB X 08FS	4	2804-5198
10	F1-64330	975	ADAPTER, 08MB X 06FS	2	2804-3156
	00-07699		O-RING, 08MB	6	2804-5198
11	F1-18040	977	PLUG, 08MB	2	2804-3156
12	FL-82190	986	TEE, 08MP X 08FP, 08FP	2	2804-3156
13	F2-69090	978	90 ELBOW, SHORT, 06FS X 08MP	2	2804-3156
14	FH-15030	497	HEX BUSHING, 6M LB, 1/2 X 3/8	2	2804-2860
14	FH-15030	497	HEX BUSHING, 6M LB, 1/2 X 3/8	1	2861-3156
15	F2-9304L	943	RESTRICTOR, 06FS X 06MP	2	2804-2860
15	F2-9304L	943	RESTRICTOR, 06FS X 06MP	1	2861-3156
16	F2-64090	958	ADAPTER, 06FS X 08MP	1	2861-3156
17	FL-18160		PLUG, HEX SOCKET, FLUSH SEAL, 1/2	2	3157-5198
18	2V-44590		CHECK VALVE, DUAL, PILOT OPERATED	1	3758-4727
	2V-44591		CARTRIDGE, CHECK VALVE	1	3758-4727
19	F1-64300		ADAPTER, 06MB, 06FS	2	3758-4437
19	F1-69030		90 ELBOW, 06MB, 06FS	2	4539-4727

* ZAMBONI *
MODEL 500 PARTS LIST

GROUP 7.040 HYDRAULIC CONTROL VALVES SERIAL NUMBER 5343-



* ZAMBONI *
MODEL 500 PARTS LIST

GROUP 7.040 HYDRAULIC CONTROL VALVES (CONT'D.)

IND	NEW PART NO	OLD P/NO	DESCRIPTION	QTY	SERIAL NO
1	2V-75060		VALVE, HYDRAULIC CONTROL	2	5343-
	2V-75065		KIT, SEAL-HYRAULIC CONTROL VALVES	1	5343-
2	2V-75070		HANDLE, BENT	2	5343-
3	2V-75080		HANDLE, STRAIGHT	2	5343-
4	HA-08018		SCREW, HEX HD, 5/16-18 X 2-1/2	6	5343-
5	HA-06862		FLATWASHER. 1/4	6	5343-
6	HM-17985		ACORN NUT	2	5343-
7	46-05195		TRAVEL STOP	2	5343-
8	HA-08981		LOCKNUT, 5/16-18	6	5343-
9	F1-64340		ADAPTER	4,3	5343-6862 7000,7001
	F1-18040		PLUG, 08MB (HORIZONTAL CONV MOTOR - OUTLET PORT)	1	6490-
10	F1-64370		ADAPTER	4	5343-6862 7000,7001
11	F1-64330		ADAPTER	4	5343-6862 7000,7001

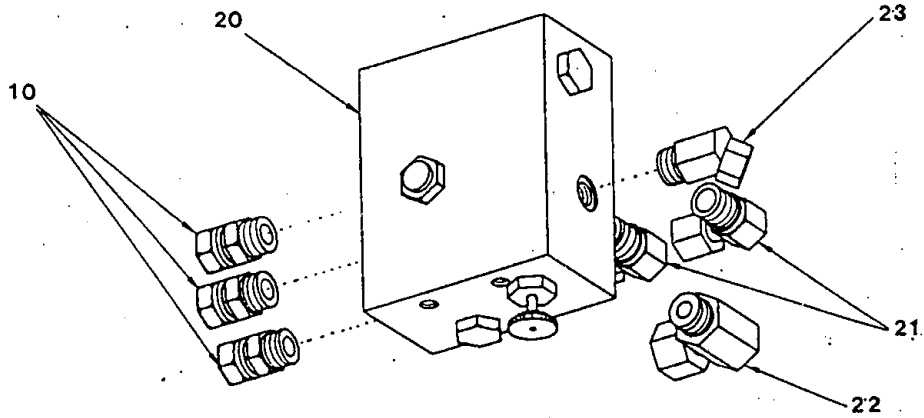
Note:

Machine with serial number 6848 does not use adapters F1-64330 (4 pieces), F1-64340 (3 pieces), and F1-64370 (4 pieces). The hydraulic hoses insert directly into the control valve ports. Please see Hydraulic Hose Group for more information.

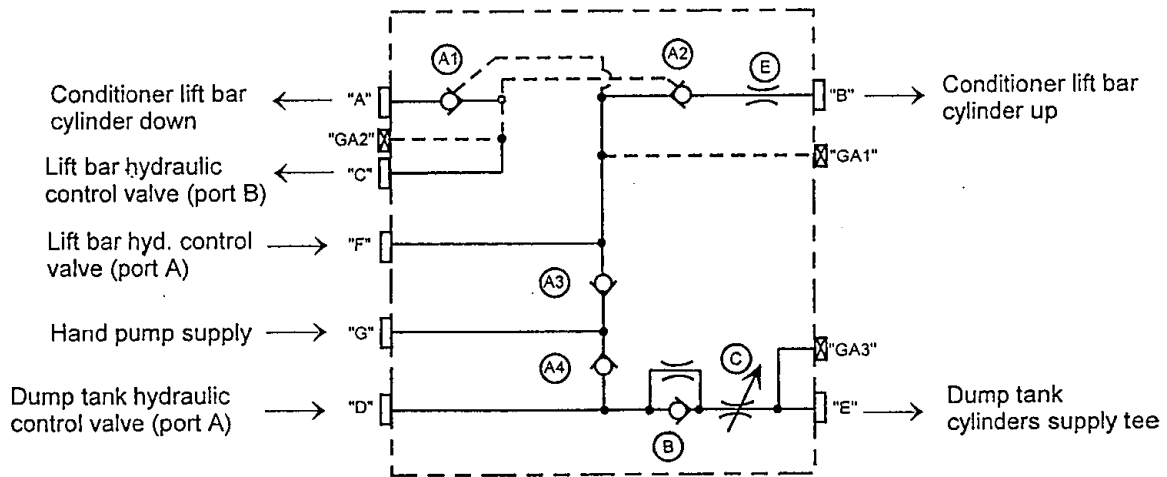
* ZAMBONI *
MODEL 500 PARTS LIST

GROUP 7.040 HYDRAULIC CONTROL VALVES SERIAL NUMBER 4732-

CHECK VALVE MANIFOLD



HYDRAULIC SCHEMATIC



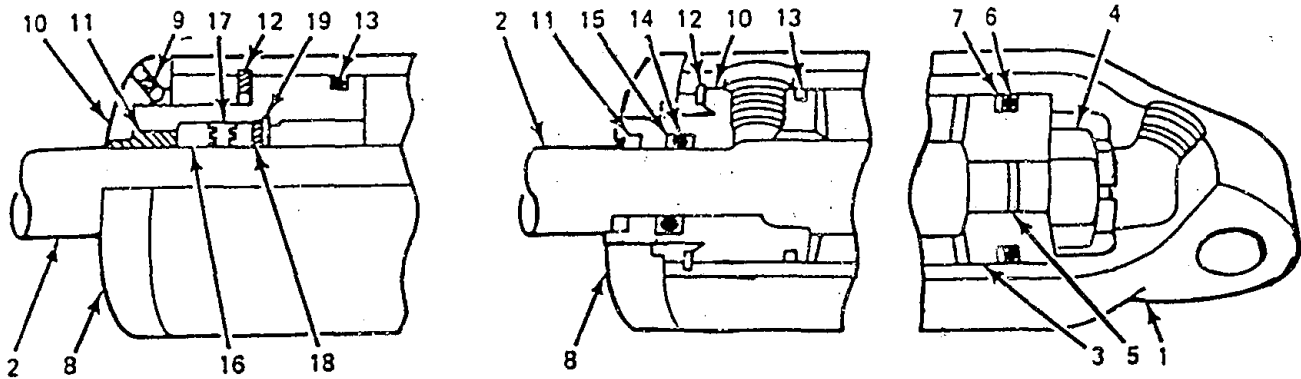
* ZAMBONI *
MODEL 500 PARTS LIST

GROUP 7.040 HYDRAULIC CONTROL VALVES (CONT'D.)

IND	NEW PART NO	OLD P/NO	DESCRIPTION	QTY	SERIAL NO
<u>CHECK VALVE MANIFOLD (4732-)</u>					
20	2V-44596		CHECK VALVE, MANIFOLD ASSY W/FITTINGS	1	4732-
	2V-44595		CHECK VALVE, MANIFOLD ONLY	1	4732-
A1/A4	2V-44591		CHECK VALVE	4	4732-
B	2V-44592		RESTRICTOR CHECK VALVE	1	4732-
C	2V-44597		ADJUSTING NEEDLE VALVE	1	4732-
E	2V-44598		ORIFICE PLUG	1	4732-
21	F1-69050		90 ADAPTER, 08MB X 06FS	2	4732-
22	F1-69030		90 ADAPTOR, 06MB X 06FS	1	4732-
23	F1-75040		45 ADAPTOR, 08MB X 06FS	1	4732-
10	F1-64330		ADAPTOR, 08MS X 06FS	3	4732-6862 7000,7001
	F1-64330		ADAPTOR, 08MS X 06FS	0	6848
N/S	HA-10609		BOLT, 3/8-16 X 3/4	2	4732-
N/S	HA-10862		LOCKWASHER, 3/8	2	4732-

* ZAMBONI *
MODEL 500 PARTS LIST

GROUP 7.050 HYDRAULIC CYLINDERS SERIAL NUMBER 2804-3727



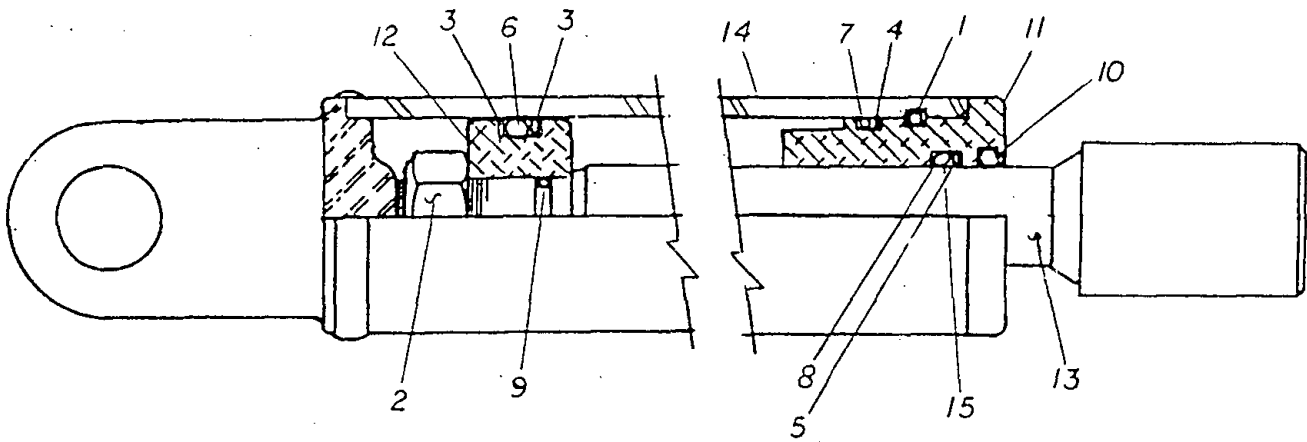
INDEX	DESCRIPTION	CYLINDER NUMBER				
		QTY	2X-3005A	2X-34340	2X-79390	2X-2514A
1	BODY AND BASE ASSEMBLY	1	-	-	-	-
2	ROD	1	-	-	3063	-
3	PISTON	1	3012	3025	-	-
4	NUT, PISTON	1	3026	3026	-	-
5	O-RING	1	-	-	-	-
6	O-RING	1	3014*	3014*	3038*	-
7	LEATHER BACKUP	1	-	-	3037*	-
8	GLAND LOCK CAP	1	3002	-	3029	-
9	SET SCREW	1	146	146	-	146
10	GLAND	1	7657	3024	-	5440
11	WIPER	1	7660*	3021*	3030*	-
12	SNAP RING	1	3007	3007	3033	-
13	O-RING	1	3009*	3009*	3035*	-
14	O-RING	1	-	3023*	3032*	-
15	LEATHER BACKUP	1	-	3022*	3032*	-
16	ADAPTER	1	7659*	-	-	5436*
17	"E" RING (7658); "V" RING (5434)	3	7658*	-	-	5435*
18	WASHER, STEEL	1	7662	-	-	-
19	RETAINER	1	7661	-	-	5437
CYLINDER SERVICE KITS			3928	3937	3939	5431

PARTS MARKED BY ASTERISK (*) ARE AVAILABLE IN SERVICE KITS ONLY.

ALL PARTS ARE FOR DENSMORE CYLINDERS.

* ZAMBONI *
MODEL 500 PARTS LIST

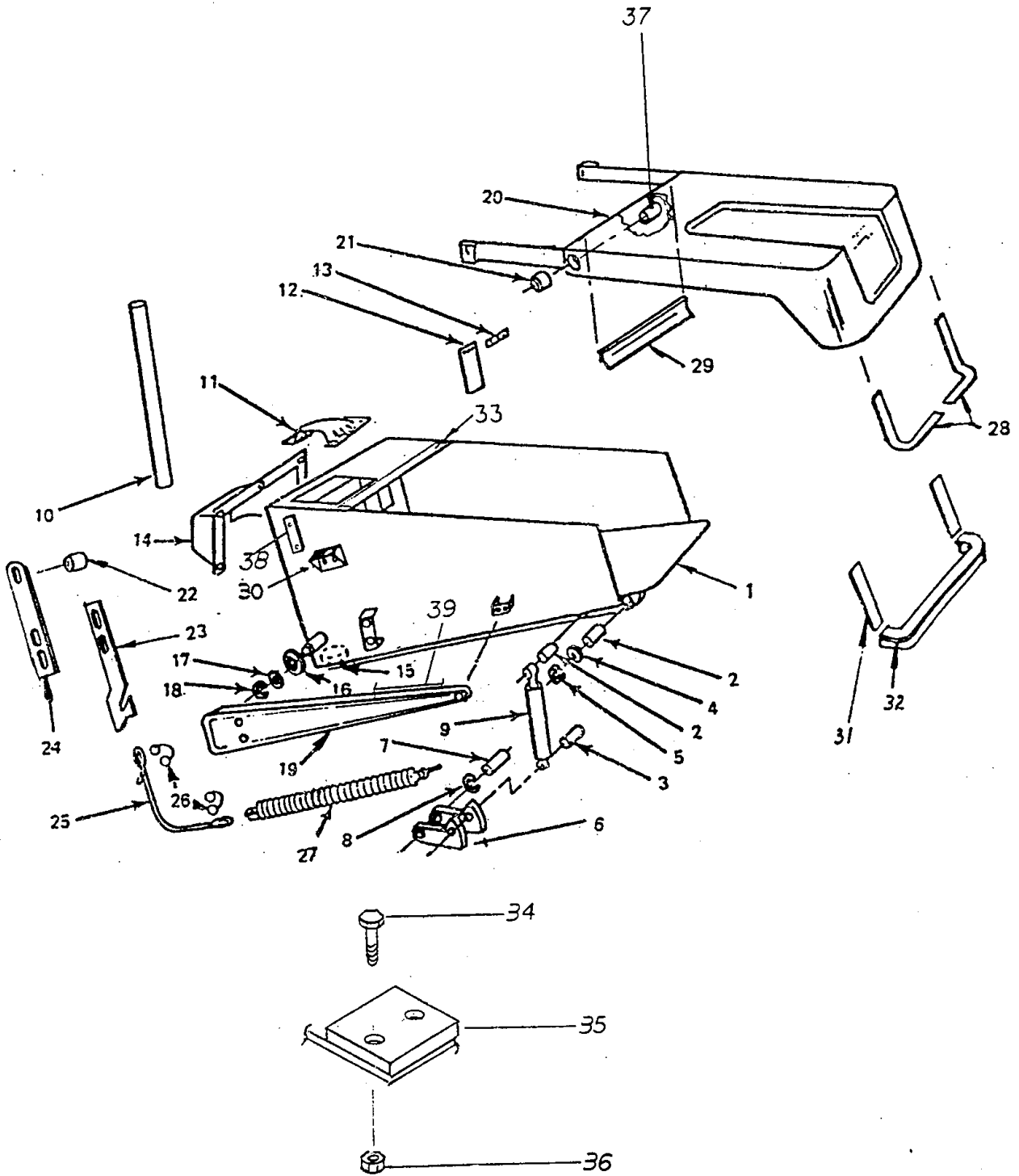
GROUP 7.050 HYDRAULIC CYLINDERS SERIAL NUMBER 3758-4623



CYLINDER PART NUMBER USED FOR		2X-3005A	2X-2008A 2X-2008B	2X-2514A
NO. OF CYLINDERS / MACH.		CONDITIONER	STEERING	SNOW TANK
		1	1	2
INDEX	DESCRIPTION	PART NUMBER	PART NUMBER	PART NUMBER
SERIAL NUMBERS 3758-4623				
-	SEAL KIT	2X-3005K	2X-2008K	2X-2514K
1	RETAINING RING	2X-3005H	2X-2008H	2X-2514H
2	LOCKNUT	HA-23981	HA-23981	HA-23981
3	BACK-UP RING, PISTON	*	*	*
4	BACK-UP RING, STATIC	*	*	*
5	BACK-UP RING, ROD	*	NA	*
6	O-RING, PISTON	*	*	*
7	O-RING, STATIC	*	*	*
8	O-RING, HEAD TO ROD	*	NA	*
9	O-RING, ROD, PISTON END	*	*	*
10	WIPER SEAL	*	*	*
11	CYLINDER HEAD	2X-3005C	2X-2008C	2X-2514C
12	PISTON	2X-3005D	2X-2008D	2X-2514D
13	ROD ASSEMBLY	2X-3005E	2X-2008E	2X-2514E
14	TUBE ASSEMBLY	2X-3005F	2X-2008F	2X-2514F
15	U-CUP	NA	*	NA
ITEMS CODED * ARE INCLUDED IN THE SEAL KIT FOR THAT CYLINDER, BUT ARE NOT STOCKED SEPARATELY.				
SERIAL NUMBERS 4732-				
	SEAL KIT	2X-3005L	2X-2008L	2X-2514L

* ZAMBONI *
MODEL 500 PARTS LIST

GROUP 8.010 SNOW TANK SERIAL NUMBER 2804-



* ZAMBONI *
MODEL 500 PARTS LIST

GROUP 8.010 SNOW TANK

IND	NEW PART NO	OLD P/NO	DESCRIPTION	QTY	SERIAL NO
1	7A-15300	1530	TANK WELDMENT, PRIMED	1	2804-5520
	7A-15500		TANK WELDMENT, PRIMED	1	5562, 5570 5621-
2	16-70580	7058	PIVOT PIN WITH GREASE FITTING	4	2804-
3	16-70560	7056	PIVOT PIN WITH GREASE FITTING	2	2804-3056
3	16-70570	7057	PIVOT PIN WITH GREASE FITTING	2	3057-7121
3	5T-70575		CAPTURED PIVOT PIN	2	7122-
	HA-08009		SCREW, HEX HD, 5/16-18 X ¾	2	7122-
	HA-08990		NUT, HEX HD, 5/16X18	2	7122-
	HA-08860		WAHER, FLAT, 5/8	2	7122-
	1Z-05180		GREASE FITTING	2	7122-
4	HA-30861	7548	FLAT WASHER, 1	8	2804-3056
5	HA-7064A	7544	SNAP RING, PIN RETAINING	8	2804-
6	36-15920	1592	YOKE HYD CYLINDER, LOWER	4	2804-3056
7	16-72880	7288	PIN, CYLINDER YOKE	2	2804-3056
8	HA-7064A	7372	SNAP RING, PIN RETAINING	4	2804-3056
9	2X-39340	3934	HYDRAULIC CYLINDER, 3 X 16	2	2804-3056
9	2X-2514A		HYDRAULIC CYLINDER, 2-1/2 X 14	2	3067-
	2X-2514K		SEAL KIT, 2X-2514A		3758-4623
	2X-2514L		SEAL KIT, 2X-2514A		4732-
10	49-38590	3859	SAFETY STAND	1	2804-
11	7D-73420	7342	VENT, SNOW TANK	1	2804-
	HA-06011	215	SCREW, HEX HD, 1/4-20 X 1	6	2804-
	HA-06981	210	LOCKNUT, HEX, 1/4-20	6	2804-
12	49-42000	4200	SHIELD, SNOW TANK	1	2804-5620
13	5T-10230	4201	BRKT, SHIELD RETAINING	1	2804-5620
	HA-06009	9221	SCREW, HEX HD, 1/4-20 X 3/4	3	2804-5620
	HA-06981	210	LOCKNUT, HEX, 1/4-20	3	2804-5620
14	49-18380	1838	SNOW SHIELD	1	2804-5620
	49-18370		SNOW SHIELD, METAL (ONLY W/OUT PLASTIC WW TANK)	1	5621-*
	HA-06509	443	SCREW, TRUSS HEAD, 1/4-20 X 3/4	5	2804-
	HA-06981	210	LOCKNUT, HEX, 1/4-20	5	2804-
15	FF-18410	494	PLUG, GALVANIZED, 2	1	2804-5377
16	41-42000	4000	PULLEY, LID SPRING CABLE	2	2804-
17	HA-14860	229	FLAT WASHER, 1/2	2	2804-
	HA-10862		FLAT WASHER, 3/8	2	4623-
18	HA-7028A	7372	SNAP RING, 7/16 SHAFT	2	2804-4623
	HA-08009		SCREW, HEX HD, 5//16-18 X ¾	2	4623-
	HA-08862		LOCKWASHER, 5/16, SPLIT	2	4623-
19	49-17680	1768	GUARD, LID SPRING	2	2804-
	HA-08511	1021	SCREW, TRUSS HEAD, 5/16-18 X 1	6	2804-
	HD-08984		NUT-INSERT, 5/16-18	6	2804-
	2H-0520A		PLASTIC TRIM	12.4 Ft.	2804-

* ZAMBONI *
MODEL 500 PARTS LIST

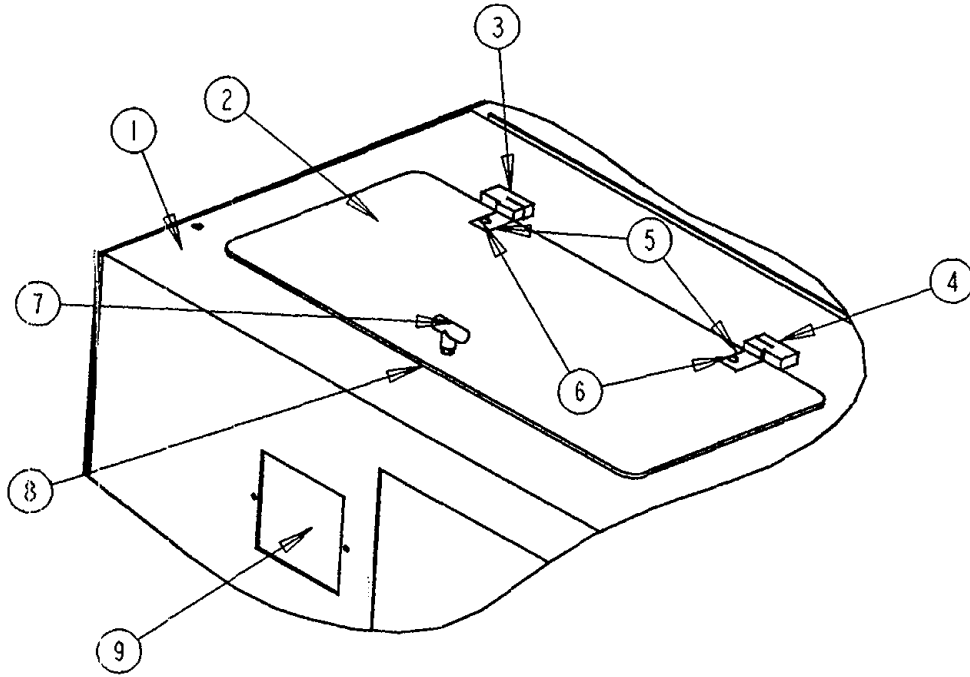
GROUP 8.010 SNOW TANK (CONT'D)

IND	NEW PART NO	OLD P/NO	DESCRIPTION	QTY	SERIAL NO
20	7B-16670	1667	LID (INCLUDES SEALS 31 & 32)	1	2804-3581
20	7B-05860		LID (INCLUDES SEALS 31 & 32)	1	3658-
21	10-19050	1905	BUSHING, LID PIVOT	2	2804-3581
21	10-2126A		BUSHING, LID PIVOT	2	3658-
	HA-18021	393	SCREW, HEX HD, 5/8-11 X 3-1/4	2	2804-3581
	HD-1861M		LUBE BOLT, LID PIVOT	2	3658-
	HA-18860	143	FLAT WASHER, 5/8	4	2804-
	HA-18986	206	LOCKNUT, HEX, 5/8-11	2	2804-
	HA-18986	206	LOCKNUT, HEX, 5/8-11	2	2804-
22	10-19070	1907	BUSHING, LID LIFT LINK	2	2804-
	HA-14016	190	SCREW, HEX HD, 1/2-13 X 2	2	2804-
	HA-14860	229	FLAT WASHER, 1/2	2	2804-
	HA-14986	189	LOCKNUT, 1/2-13	2	2804-
23	4F-15870	1587	ARM, LID LIFT HOOK	2	2804-
24	4F-15880	1588	LINK, LID LIFT ARM	4	2804-
	HA-10014	256	SCREW, HEX HD, 3/8-16 X 1-1/2	4	2804-
	HA-10981	243	LOCKNUT, HEX, 3/8-16	4	2804-
25	33-40330	4033	CABLE, LID LIFT	2	2804-
26	27-03210	321	CLAMP, CABLE	4	2804-
27	1L-38730	3873	SPRING, LID LIFT	2	2804-
	HC-10215	783	EYE-BOLT, 3/8 X 5	2	2804-
	HA-10980	114	NUT, HEX, 3/8-16	2	2804-
28	2F-19730	1973	SEAL STRIP, 1/2 x 2 x 72	2	2804-3183
29	2F-12090	1209	SEAL, REAR, NOT AVAILABLE, USE ITEM 33	1	2804-3493
30	5T-10010		BRACKET, LID STOP	2	3057-
	HA-14213		CARRIAGE BOLT, 1/2-13 X 1-1/4	4	3057-
	HA-14860		FLAT WASHER, 1/2	4	3057-
	HA-14862		LOCKWASHER, 1/2	4	3057-
	HA-14980		NUT, HEX, 1/2-13	4	3057-
31	2F-00110		SEAL, 3/8 X 2 X 18	2	3057-
32	2F-0010A		SEAL, 1-1/4 X 1 X 72	1	3057-
33	2F-0013C		SEAL, VINYLFOAM	1	3526-
34	HA-10011		SCREW, 3/8-16 X 1	4	2804-
35	8P-12680		PAD & WASHER ASSY, SNOW TANK CUSHION	2	2804-
36	HA-10981		LOCKNUT, 3/8-16	4	2084-
37	13-3728A		SPACER, TANK LID	2	3658-
38	7B-0520A		WEAR STRIP, SNOW TANK SIDE	2	4363-
	HA-06611		SCREW, SOCKET FLAT HEAD, 1/4-20 X 1	4	4363-
	HA-06981		HEX LOCKNUT, 1/4-20	4	4363-
39	2H-0520A		EDGE LINER, 12 FT PER SPRING GUARD	24'	4363-

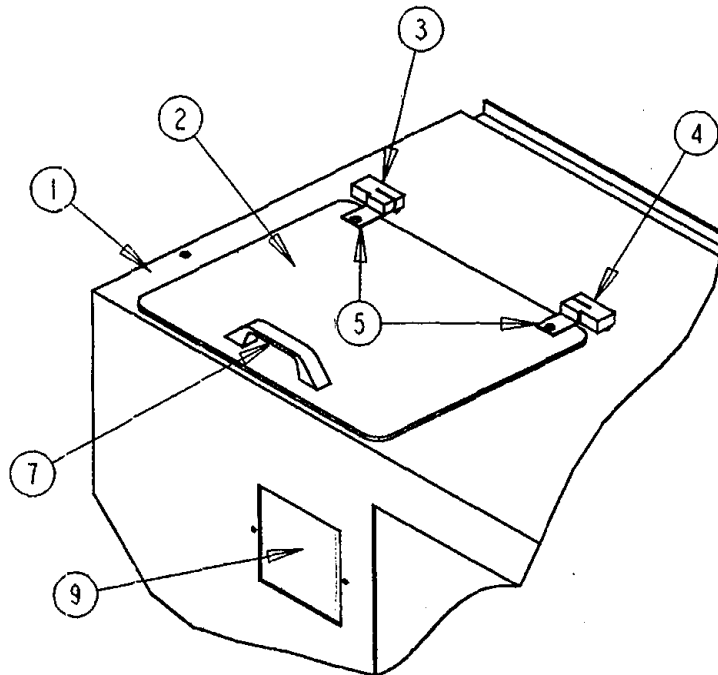
* ZAMBONI *
MODEL 500 PARTS LIST

GROUP 8.010 SNOW TANK (CONT'D) SERIAL NUMBER 5562, 5570, 5621-

5562, 5570, 5621- 7214



7215- UP



* ZAMBONI *
MODEL 500 PARTS LIST

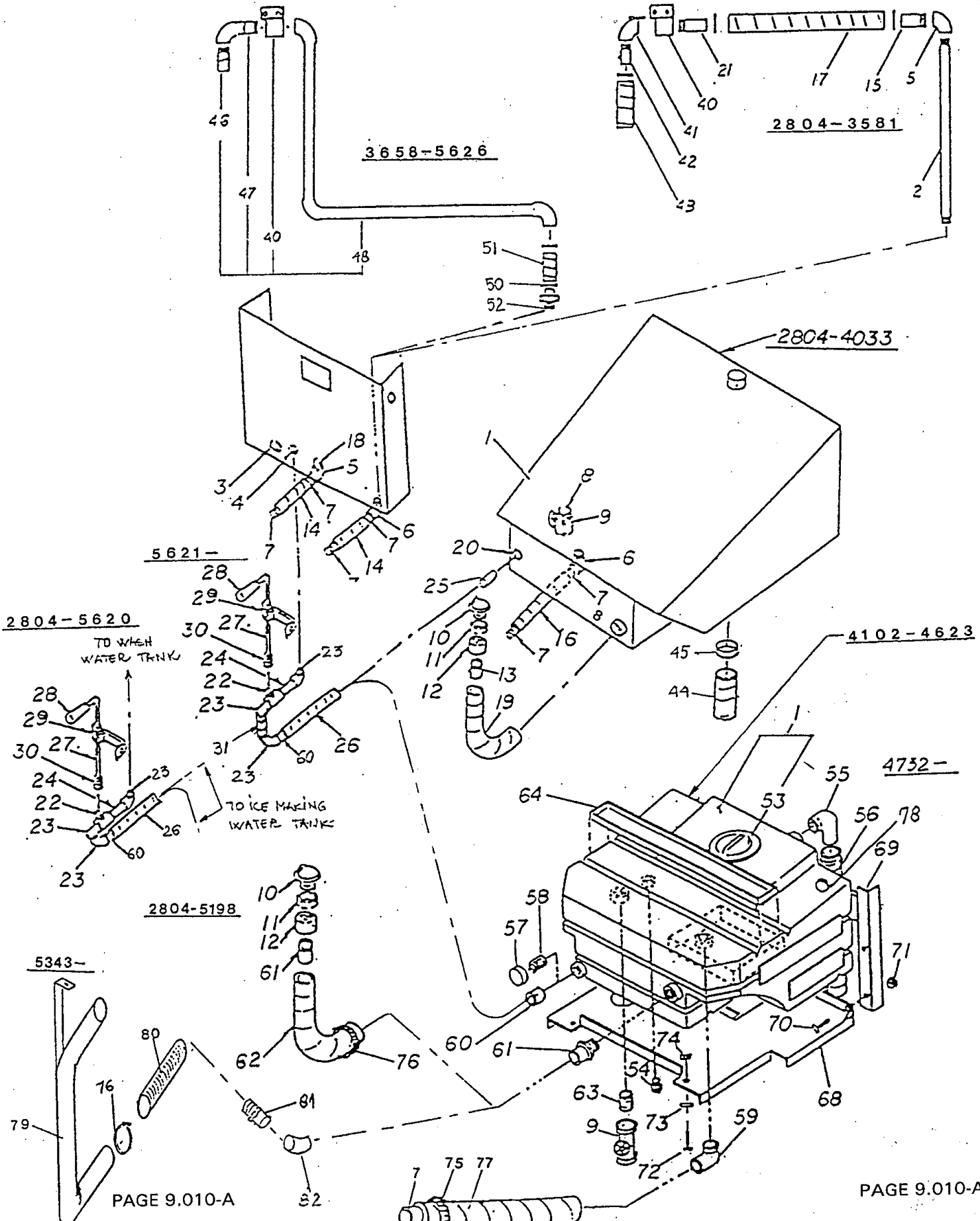
GROUP 8.010 SNOW TANK (CONT'D)

IND	NEW PART NO	OLD P/NO	DESCRIPTION	QTY	SERIAL NO
1	7A-15500		TANK WELDMENT, PRIMED	1	5621-*
2	7A-15510		SNOW TANK WINDOW	1	5621-7214*
	49-04401		SNOW TANK WINDOW	1	7215-
N/S	2F-00160		SNOW TANK SEAL	1	5621-7214*
N/S	2F-0012X		SNOW TANK SEAL	4.5Ft.	7215-
N/S	2H-0600A		STRIP, MAGNETIC	1.5Ft.	7215-
N/S	ZR-54402		TAPE, GLOSS BLACK, 1" WIDE	6 Ft.	7215-
3	47-15500		HINGE, SNOW TANK WINDOW, LH	1	5621-*
4	47-15505		HINGE, SNOW TANK WINDOW, RH	1	5621-*
	HA-04704		SCREW, FILLISTER HD, 10-32 X 3/8	4	5621-*
	HA-04706		SCREW, FILLISTER HD, 10-32 X 1/2	4	5621-*
	HA-03862		LOCKWASHER, #10	4	5621-*
	HA-03867		FLAT WASHER, #10	4	5621-*
5	7A-15515		BRACKET, HINGE MOUNTING	2	5621-7214*
	49-15500		BRACKET, HINGE MOUNTING	2	7215-
N/S	7A-15520		STRAP, WINDOW OPENING LIMITER	2	5621-7214*
N/S	49-04406		BRACKET, WINDOW OPENING LIMITER	1	7215-
6	47-15510		KIT, HARDWARE, SNOW TANK WINDOW GLASS	2	5621-7214*
7	4B-15500		KNOB	1	5621-7214*
	HD-08020		STUD, 5/16-18 X 2-1/4	1	5621-7214*
	HA-08980		NUT, HEX, 5/16-18	1	5621-7214*
	4A-05520		HANDLE	1	7215-
8	47-15515		LATCH, SNOW TANK WINDOW	1	5621-7214*
9	7A-15525		COVER PLATE	1	5621-*
	HA-04706		SCREW, FILLISTER HD, 10-32 X 1/2	2	5621-*
	HA-04981		LOCKNUT, 10-32	2	5621-*
	HA-03867		FLAT WASHER, #10	2	5621-*
N/S	KZ-0522A		SNOW TANK LID ARM BRACE (INCLUDES ALL ♦ ITEMS)	1	5979-
	7B-0521A		PLASTIC WEAR PAD ♦	2	5979-
	HA-06609		SCREW, FLAD HEAD, 1/4-20X3/4 ♦	4	5979-
	HA-06981		LOCKNUT, 1/4-20 ♦	4	5979-
	7B-0522A		BRACE ROD, RH ♦	1	5979-
	7B-0522B		BRACE ROD, LH ♦	1	5979-
	HA-13980		NUT, HEX HEAD, 7/16-20 ♦	4	5979-
	HA-13981		LOCKNUT, 7/16-20 ♦	4	5979-

Note: Machines with serial numbers 6090-6101 don't have the snow tank lid arm brace kit.

* ZAMBONI *
MODEL 500 PARTS LIST

GROUP 9.010 WATER TANKS & WASH WATER TRANSFER SYSTEM



* ZAMBONI *
MODEL 500 PARTS LIST

GROUP 9.010 WATER TANKS & OPTIONAL TRANSFER SYSTEM

IND	NEW PART NO	OLD P/NO	DESCRIPTION	QTY	SERIAL NO
1	7A-15110	1511	TANK, ICE MAKING WATER	1	2804-4033
	7A-0530A		TANK & COVER, ICE MAKING WATER, PLASTIC	1	4102-
	HA-14013	267	SCREW, HEX HD, 1/2-13 X 1-1/4	4	2804-4033
	HA-14860	229	FLAT WASHER, 1/2	4	2804-4033
	HA-14986	189	LOCKNUT, HEX, 1/2-13	4	2804-4033
	KZ-0703A		KIT, ICE MAKING WATER TANK & TRAY	1	2804-
2	FF-0135T	488	NIPPLE, GALV, 1-1/4 X 41-1/2	1	2804-3581
3	FF-18410	494	PLUG, GALV, 2	1	2804-5620
4	FF-18360	602	PLUG, GALV, 1-1/2	1	2804-5620
5	FF-02310	518	90 ELBOW, GALV, 1-1/4	1,2	2804-5620
6	FF-04310	508	90 STREET ELBOW, GALV, 1-1/4	1,2	2804-5620
7	FW-43652	566	NIPPLE, TOE, GALV, 1-1/4 X 3-1/2	5,6	2804-5620
8	FF-0141M	613	NIPPLE, GALV, 2 X 3	1	2804-4033
9	2V-33240	324	GATE VALVE, 2	1	2804-4033
10	7D-68400	6840	CAP, WATER FILL PIPE	1	2804-5198
11	13-68380	6838	SPACER, WATER FILL CAP	1	2804-5198
12	FF-13410	753	COUPLING, GALV, 2	1	2804-5198
13	FW-43852	754	NIPPLE, TOE, GALV, 2 X 3	1	2804-4033
14	RC-5124A	7386	HOSE, 1-5/8 X 31	2	2804-5620
15	FW-43672	698	NIPPLE, TOE, GALV, 1-1/4 X 7-1/2	1	2804-3581
16	RC-5208A	7171	HOSE, 1-5/8 X 52	1	2804-4033
17	RR-0120A	1804	HOSE, 1-5/8 X 30	1	2804-3581
18	FF-0131W	589	NIPPLE, GALV, 1-1/4 X 4	1	2804-3493
18	FF-0131R		NIPPLE, GALV, 1-1/4 X 3-1/2	1	3526-5620
19	RD-1240A	1806	HOSE, 2-3/8 X 60	1	2804-4033
	27-2028A	700	CLAMP, 1-5/8 HOSE	9	2804-3581
	27-2040A	702	CLAMP, 2-3/8 HOSE	2	2804-3581
20	FF-18360	602	PLUG, GALV, 1-1/2	1	2804-4033
21	FW-43662	563	NIPPLE, TOE, GALV, 1-1/4 X 5-1/2	1	2804-3581

ITEMS 22-30 ARE OPTIONAL WASH WATER TRANSFER SYSTEM

22	2V-79710	7971	BALL VALVE, 1-1/2	1	2804-
23	FF-04360	509	90 STREET ELBOW, GALV, 1-1/2	3	2804-5620
	FV-14061		90 STREET ELBOW, PLASTIC, 1-1/2	2	5621-*
	FV-0169J		PIPE,PVC, 1-1/2 X 4-1/2	1	5621-*
	RC-5008A		HOSE, 1-5/8 X 2	1	5621-*
	27-2036A		CLAMP	2	5621-*
24	FF-0136M	773	NIPPLE, GALV, 1-1/2 X 3	1	2804-5620
	FV-0169D		NIPPLE, PLASTIC, TBE, 1-1/2 X 3-1/2	1	5621-*
25	FW-43742	659	NIPPLE, TOE, GALV, 1-1/2 X 3-1/2	2,1	2804-

NOTE: MACHINES WITH SERIAL NUMBERS 5562 AND 5570 ARE INCLUDED IN * LOOP.

* ZAMBONI *
MODEL 500 PARTS LIST

GROUP 9.010 WATER TANKS & WASH WATER TRANSFER SYSTEM (CONT'D)

IND	NEW PART NO	OLD P/NO	DESCRIPTION	QTY	SERIAL NO
26	RC-7048A	1807	HOSE, 1-7/8 X 12	1	2804-4623
	RC-5050A		HOSE, 1-5/8 X 12 1/2	1	4732-5620
	RC-5046A		HOSE, 1-5/8 X 11 1/2	1	5621-*
	27-2036A	701	CLAMP, 1-7/8 HOSE	2	2804-
27	4E-19100	1910	ROD, WATER VALVE CONTROL	1	2804-
28	4B-31460	3146	KNOB, CONTROL ROD	1	2804-
29	5T-19130	1913	BRACKET, CONTROL ROD	1	2804-
	HA-08011	281	SCREW, HEX HD, 5/16-18 X 1	1	2804-
	HA-08862	227	LOCKWASHER, 5/16	1	2804-
30	4E-19090	1909	HANDLE, WATER VALVE	1	2804-
	15-01116	172	KEY, 3/16 SQUARE X 1-1/2	1	2804-
	HD-0440D	740	SET-SCREW, SOCKET HD, 10-32 X 1/4	1	2804-
40	5T-18090	1809	BRACKET, WASH WATER DIVERTER	1	2804-5620
	HA-06006		SCREW, HEX HD, 1/4-20 X 1/2	2	2804-5620
	HA-06862		LOCKWASHER, 1/4	2	2804-5620
41	7C-18100	1810	ELBOW, WASH WATER DIVERTER	1	2804-3581
42	FW-43652	566	NIPPLE, TOE GALV, 1-1/4 x 3-1/2	1	2804-3581
43	RC-5044A	1805	HOSE, 1-5/8 X 11	1	2804-3581
44	RD-1036A		HOSE, 2-3/8 X 9	1	3658-4033
45	27-2044A		HOSE CLAMP	3	3658-5620
46	FV-64090		NIPPLE	1	3658-5620
47	23-07003		DIVERTER ELBOW	1	3658-5620
48	23-07002		PIPE, WASH WATER RETURN	1	3658-4777
	23-07000		PIPE, WASH WATER RETURN	1	4778-5620
49	23-07000		ASSY, WASH WATER RETURN MANIFOLD	1	3658-4777
	23-07007		ASSY, WASH WATER RETURN MANIFOLD	1	4778-5620
50	27-2032A		HOSE CLAMP	2	3658-4777
	27-2025A		HOSE CLAMP	2	4778-5620
51	PX-6008A		HOSE, 2 X 2	1	3658-4777
	RC-2026A		HOSE, 1-1/4 X 3	1	4778-5620
52	FV-32060		ADAPTER	1	3658-4777
	FV-32070		ADAPTER	1	4778-5620
53	7A-0520B		COVER, WATER TANK (INCL W/TANK)	1	4102-
54	FP-0800A		PLUG, PLASTIC, 1/2	1	4102-
55	FP-3232A		90 ELBOW, PLASTIC, 2 X 2 HOSE	1	4102-
56	RC-8144A		HOSE, 2 X 36	1	4102-
57	FP-2400A		CAP, PLASTIC, 1-1/2	1	4102-6562
58	FP-2424A		NIPPLE, PLASTIC, TBE, 1-1/2 CLOSE	1	4102-6562
	FV-09162		PLUG, 1-1/2	1	6643-
59	FP-2024A		90 ELBOW, PLASTIC, 1-1/2 HOSE X 1-1/4	1	4102-4623
	FP-2426A		90 ELBOW, PLASTIC, 1-1/2 HOSE X 1-1/2	1	4732-

NOTE: MACHINES WITH SERIAL NUMBERS 5562 AND 5570 ARE INCLUDED IN * LOOP.

* ZAMBONI *
MODEL 500 PARTS LIST

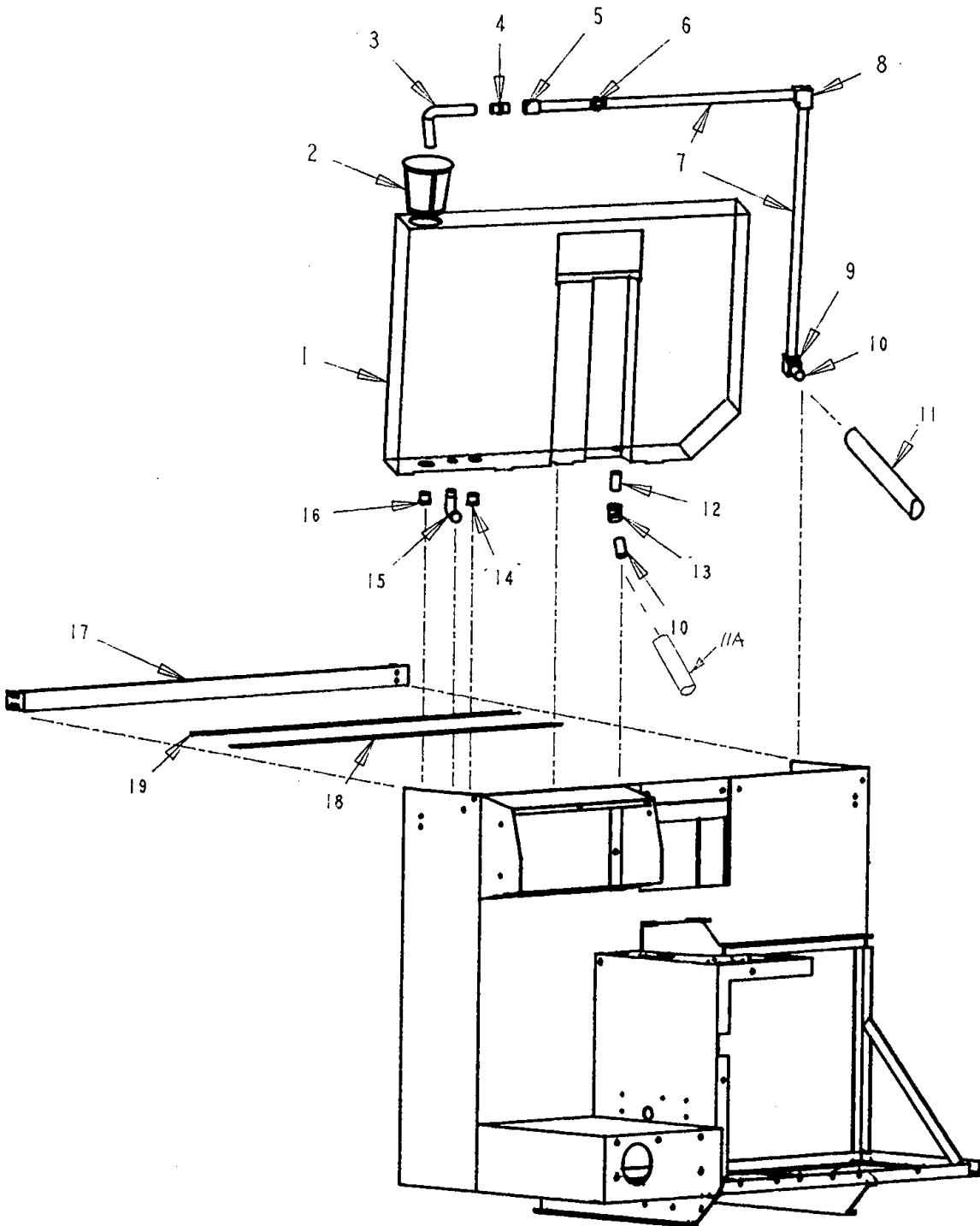
GROUP 9.010 WATER TANKS & WASH WATER TRANSFER SYSTEM (CONT'D)

IND	NEW PART NO	OLD P/NO	DESCRIPTION	QTY	SERIAL NO
60	FP-2428A		NIPPLE, PLASTIC, 1-3/4 HOSE X 1-1/2	1	4102-4632
	FP-2426B		NIPPLE, PLASTIC, 1-1/2 HOSE X 1-1/2	2	4732-
61	FP-3232B		NIPPLE, PLASTIC, 2 X 2 HOSE	1,2	4102-5620
	FF-0141A		NIPPLE, GALV, 2, CLOSE	1	5621-*
62	RC-8240A		HOSE, 2 X 60	1	4102-5198
63	FT-46001		NIPPLE, CPVC 80, TBE, 2 X CLOSE	1	4102-
64	7A-05204		CHANNEL, TANK HOLD DOWN	1	4102-
68	7A-0521A		WELDMENT, TANK SUPPORT PANEL	1	4102-4623
	7A-00500		TANK SUPPORT PANEL	1	4732-
69	7A-05220		WELDMENT, SIDE PANEL SUPPORT	1	4102-
70	HA-08011		SCREW, HEX HD, 5/16-18 X 1	8	4102-
71	HA-08981		HEX LOCKNUT, 5/16-18	8	4102-
72	HA-14013		SCREW, HEX 1/2-13 X 1-1/4	4	4102-
73	HA-14860		FLATWASHER, 1/2	4	4102-
74	HA-14986		HEX LOCKNUT, 1/2-13	4	4102-
75	27-2032A		HOSE CLAMP	2	4102-
76	27-2036A		HOSE CLAMP	3	4102-
77	RC-5232A		HOSE, 1-5/8 X 58	1	4102-
78	FV-09164		PLUG	1	4732-
79	7A-05207		FILL TUBE, STAINLESS	1	5343-
80	RC-8096A		HOSE, 2 X 34	1	5343-5620
	PX-6000A		HOSE, 2 X 15-1/2	1	5621-*
81	FW-10110		COMBINATION NIPPLE	1	5621-*
82	FF-03400		45 ELBOW, GALV, 2	1	5621-*

NOTE: MACHINES WITH SERIAL NUMBERS 5562 AND 5570 ARE INCLUDED IN * LOOP.

* ZAMBONI *
MODEL 500 PARTS LIST

GROUP 9.010 WATER TANKS & WASH WATER TRANSFER SYSTEM (CONT'D)
PLASTIC WASH WATER TANK (SERIAL NUMBER 5621-*)



* ZAMBONI *
MODEL 500 PARTS LIST

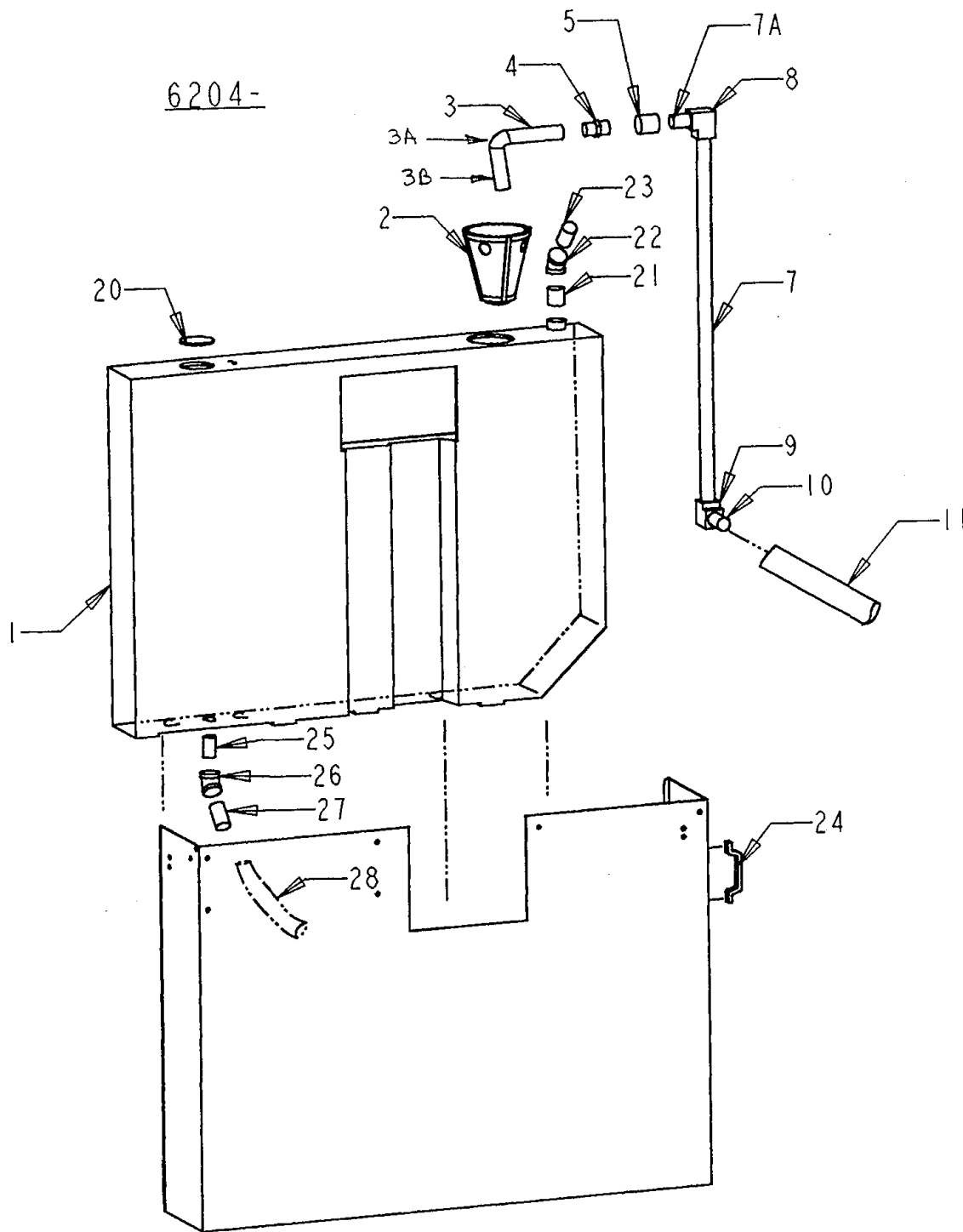
GROUP 9.010 WATER TANKS & WASH WATER TRANSFER SYSTEM (CONT'D)

IND	NEW PART NO	OLD P/NO	DESCRIPTION	QTY	SERIAL NO
<u>PLASTIC WASH WATER TANK OPTION</u>					
1	7A-05350		PLASTIC WASH WATER TANK	1	5621-6203
	7A-05355		PLASTIC WASH WATER TANK	1	6204-
2	7C-04885		BASKET, SCREEN	1	5621-*
	49-04880		SPLASH GUARD, BASKET	1	5621-*
	23-07030		PIPE, WASH WATER RETURN LINE (INCLUDES ALL • ITEMS)	1	5621-*
3	RC-22010		PREFORMED HOSE •	1	5621-6678*
	4T-0914C		CLEAR HOSE	1	6829-
3A	FP-2020C		90 ELBOW	1	6829-
3B	4T-0916C		CLEAR HOSE	1	6829-
4	FP-2020B		ADAPTER •	1	5621-*
5	FV-33560		COUPLING •	1	5621-*
6	5T-18095		BRACKET •	1	5621-*
	HA-08009		SCREW, HX HD, 5/16-18 X 3/4 •	2	5621-*
	HA-08860		LOCKWASHER, 3/8•	2	5621-*
	HA-08862		WASHER, FLAT, 3/8•	2	5621-*
7	FV-64384		PIPE •	1,2	5621-*
7A	FV-64027		NIPPLE, 1-1/4 •	1	6204-
8	FV-02561		90 ELBOW •	1	5621-*
9	FV-02562		90 ELBOW •	1	5621-*
10	FV-64028		NIPPLE • (ONLY 1 PC FOR 23-07030)	2	5621-*
11	RC-5104A		HOSE	1	5621-*
11A	RC-5128A		HOSE	1	5621-*
	27-2028A		CLAMP	4	5621-*
12	FV-2605A		NIPPLE	1	5621-*
13	FV-05060		45 ELBOW	1	5621-*
14	FV-09162		PLUG, 1-1/2	1	5621-*
15	FW-67650		90 ELBOW	1	5621-6517* 6519
16	FV-09164		PLUG, 2	1	5621-*
17	7F-05051		STIFFENER	1	5621-*
	HA-10509		SCREW, BUTTON HD, 3/8-16 X 3/4	4	5621-*
	HA-10982		NUT, THIN, 3/8-16	4	5621-*
	HA-10860		FLATWASHER, 3/8	4	5621-*
	HA-10862		LOCKWASHER, 3/8	4	5621-*
18	7F-05070		BRACKET, SNOW TANK SEAL	1	5621-*
	HA-06009		SCREW, HX HD, 1/4-20 X 3/4	7	5621-*
	HA-06860		FLATWASHER, 1/4	7	5621-*
	HA-06862		FLATWASHER, 1/4	7	5621-*
19	2F-00140		SEAL	5'	5621-*
20	7A-05357		COVER	1	6204-

NOTE: MACHINES WITH SERIAL NUMBERS 5562 AND 5570 ARE INCLUDED IN • LOOP.

* ZAMBONI *
MODEL 500 PARTS LIST

GROUP 9.010 WATER TANKS & WASH WATER TRANSFER SYSTEM (CONT'D)



* ZAMBONI *
MODEL 500 PARTS LIST

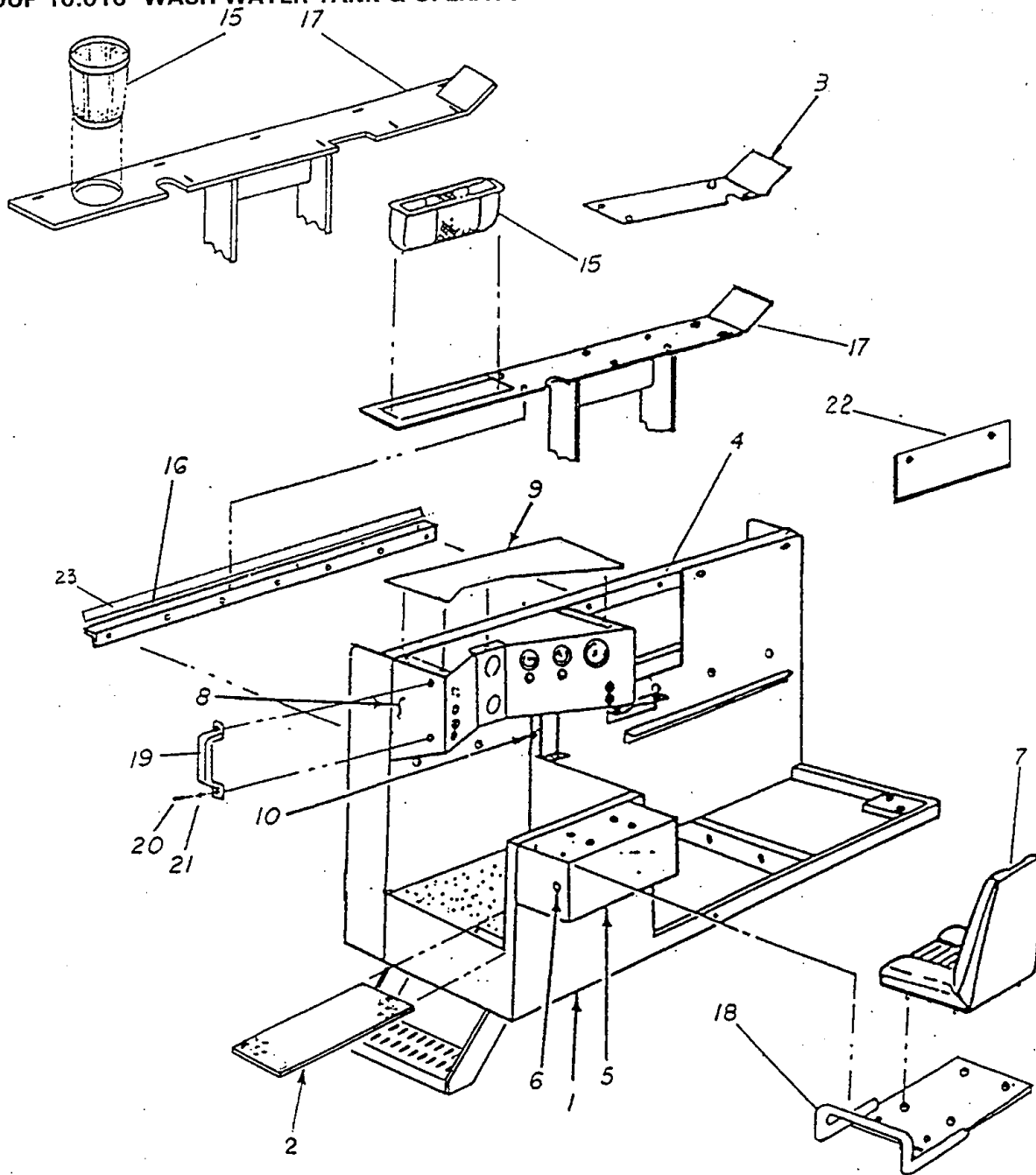
GROUP 9.010 WATER TANKS & WASH WATER TRANSFER SYSTEM (CONT'D)

IND	NEW PART NO	OLD P/NO	DESCRIPTION	QTY	SERIAL NO
21	FV-2806B		NIPPLE, 2"	1	6204-
22	FV-05082		45 ELBOW	1	6204-
23	FV-66028		NIPPLE, 2"	1	6204-
24	4A-40510		HANDLE	1	6204-
	HA-06106		SCREW, SOCKET HD CAP, 1/4-20 X 1/2	2	6204-
	HA-06981		LOCK-NUT, 1/4-20	2	6204-
	HA-06860		LOCKWASHER, 1/4	2	6204-
	HA-10862		FLATWASHER, 1/4	2	6204-
25	FV-2700A		NIPPLE, 1-1/2	1	6518-
26	FV-05572		45 ELBOW	1	6518-
27	FP-2426B		NIPPLE, 1-1/2 X 1-1/2 HOSE	1	6518-
28	4T-0312A		CLEAR HOSE, 1-1/2	2FT.	6518-
N/S	FV-2637C		PIPE (INSIDE PLASTIC TANK)	1	5621-*
N/S	5T-05320		BRACKET (INSIDE PLASTIC TANK)	1	5621-*
	HF-06509		SCREW, SS, THRUS HD, 1/4-20 X 3/4	2	5621-*
N/S	2F-19745		SEAL	2	5621-*

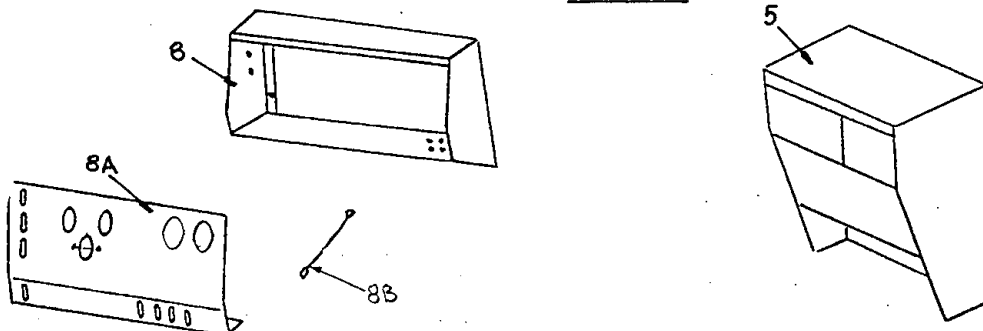
NOTE: MACHINES WITH SERIAL NUMBERS 5562 AND 5570 ARE INCLUDED IN * LOOP.

* ZAMBONI *
MODEL 500 PARTS LIST

GROUP 10.010 WASH WATER TANK & OPERATOR'S AREA



5343-



* ZAMBONI *
MODEL 500 PARTS LIST

GROUP 10.010 WASH WATER TANK & OPERATOR'S AREA

IND	NEW PART NO	OLD P/NO	DESCRIPTION	QTY	SERIAL NO
1	7F-15370	1537	TANK & FRAME WELDMENT	1	2804-3493
1	7F-05000		TANK & FRAME WELDMENT	1	3526-4623
1	7F-05012		TANK & FRAME WELDMENT	1	4732-5198
	7F-05050		TANK & FRAME WELDMENT	1	5343-5620
	7F-05500		TANK & FRAME WELDMENT	1	5621-*
	HE-1400A		SCREW, HI-TENSILE, 1/2-13 X 2-1/4	4	2804-3727
	HF-15017		SCREW, STAINLESS STEEL, 1/2-20 X 2-1/4	4	3758-4758
	HF-15015		SCREW, STAINLESS STEEL, 1/2-20 X 1-1/2	6	4759-
	HA-14017	199	SCREW, HEX HD, 1/2-13 X 2-1/4	4	2804-3581
	HA-14860	229	FLAT WASHER, 1/2	8,2	2804-
	HA-14861		WASHER, FLAT, STAINLESS STEEL, 1/2	12	4759-
	HD-14866	320	BEVEL WASHER, 1/2	8	2804-
	HA-14986	189	NUT, FLEXLOCK, 1/2-13	4	2804-3727
	HA-15986		NUT, FLEXLOCK, 1/2-20	4	3758-
	46-16910	1691	DECK PLATE, BOLT-ON	1	2804-3156
	HA-06609	264	SCREW, SOCKET FLAT HEAD, 1/4-20 X 3/4	4	2804-3156
	HA-06981	210	LOCKNUT, HEX 1/4-20	4	2804-3156
2	7F-1549A		DECK PLATE, REAR HALF, BOLT-ON	1	4539-4781
	7F-1549B		DECK PLATE, REAR HALF	1	4856-5369
	7F-15497		DECK PLATE, REAR HALF	1	5370-5578
	7F-15499		DECK PLATE, REAR HALF	1	5615-
	HA-06609		SCREW, SOCKET FLAT HEAD, 1/4-20 X 3/4	4	4539-
3	7A-17320	1732	COVER, WASH WATER TANK	1	2804-3581
	HA-06009	221	SCREW, HEX HD, 1/4-20 X 3/4	4	2804-3581
	HA-06862	225	LOCKWASHER, 1/4	4	2804-3581
4	7A-17340	1734	STIFFENER, WASH WATER TANK	1	2804-5620
	HA-10011	252	SCREW, HEX HD, 3/8-16 X 1	2	2804-5620
	HA-10981	243	LOCKNUT, HEX, 3/8-16	2	2804-5620
	7F-05065		STIFFENER, WASH WATER TANK	1	5621-6203*
	7F-05066		STIFFENER, WASH WATER TANK	1	6204-
	HA-10509		SCREW, BUTTON HD, 3/8-16 X 3/4	10	5621-*
	HA-10982		NUT, THIN, HEX, 3/8-16	1	5621-*
	HA-10860		WASHER, FLAT, 3/8	1	5621-*
	HA-10862		LOCKWASHER, 3/8	1	5621-*
5	7H-15230	1523	SUPPORT, OPERATOR'S SEAT	1	2804-5198
	7H-05220		SUPPORT, OPERATOR'S SEAT	1	5343-
6	47-17860	1786	LATCH ASSY, TOOL BOX	1	2804-5198

NOTE: MACHINES WITH SERIAL NUMBERS 5562 AND 5570 ARE INCLUDED IN * LOOP.

* ZAMBONI *
MODEL 500 PARTS LIST

GROUP 10.010 WASH WATER TANK & OPERATOR'S AREA (CONT'D)

IND	NEW PART NO	OLD P/NO	DESCRIPTION	QTY	SERIAL NO
7	7H-72900	7290	SEAT ASSY	1	2804-
7A	7H-79400	7940	CUSHION, SEAT BOTTOM	1	2804-
7B	7H-79410	7941	CUSHION, SEAT BACK	1	2804-
8	46-16180	1618	INSTRUMENT PANEL WELDMENT, PRIMED	1	2804-3493
8	46-05100		INSTRUMENT PANEL WELDMENT, PRIMED	1	3526-4437
	46-05300		INSTRUMENT PANEL WELDMENT, PRIMED	1	4539-4781
	46-05400		INSTRUMENT PANEL WELDMENT, PRIMED	1	5009-5198
	46-05510		INSTRUMENT PANEL, HINGED FACE	1	5343-5620
8	46-05540		INSTRUMENT PANEL, HINGED FACE	1	5621-*
	HA-10011	252	SCREW, HEX HD, 3/8-16 X 1	4	2804-
	HA-10981	243	LOCKNUT, HEX, 3/8-16	4	2804-
	27-30010		CLAMP, WIRE HARNESS	1	2804-
8A	46-05515		DASH, HINGED	1	5343-
	HA-72902		SPEED NUT, 5/16-18	6	5343-
	HA-08509		SCREW, BUTTON HEAD, 5/16-18 X 3/4	6	5343-
8B	33-0010B		CABLE	1	5353-
9	46-77110	7711	COVER, INSTRUMENT PANEL	1	2804-4437
	HA-06506	434	SCREW, TRUSS HD, 1/4-20 X 1/2	5	2804-4437
9	46-05320		COVER, INSTRUMENT PANEL	1	4539-4781
	46-7712A		COVER, INSTRUMENT PANEL	1	5009-5198
	HA-06506		SCREW, TRUSS HD, 1/4-20 X 1/2	6	4539-5198
10	46-18900	1890	CONSOLE	1	2804-4437
	46-18902		CONSOLE	1	4539-5198
	46-18903		CONSOLE	1	5343-
	HA-08009	272	SCREW, HEX HD, 5/16-18 X 3/4	1	2804-
	HA-08862	227	LOCKWASHER, 5/16	1	2804-
	46-10640	1064	HOLE COVER, SNAP-IN (USED ONLY WITH LPG FUEL)	1	2804-
15	7C-15680	1568	SCREEN, WASH WATER	1	2804-4437
15	7C-04870		ROUND SCREEN, WASH WATER	1	4539-5620
	7C-04880		SCREEN, WASH WATER	1	5621-*
16	7F-06003		SUPPORT ANGLE	1	3658-4437
16	7F-0600C		SUPPORT ANGLE FOR ROUND SCREEN	1	4539-5620
	HA-08009		SCREW, 5/16-18 X 3/4	8	3658-5620
	HA-08981		LOCKNUT, 5/16-18	8	3658-5620
17	7F-06000		COVER, WASH WATER TANK	1	3658-4437
17	7F-0600B		COVER, WASH WATER TANK FOR ROUND SCREEN	1	4539-5620
	HA-08009		SCREW, 5/16-18 X 3/4	4	3658-5620
	HA-08860		FLATWASHER, 5/16	4	3658-5620
	HA-08862		LOCKWASHER, 5/16	4	3658-5620
	HA-06009		SCREW, 1/4-20 X 3/4	5	3658-5620

NOTE: MACHINES WITH SERIAL NUMBERS 5562 AND 5570 ARE INCLUDED IN * LOOP.

* ZAMBONI *
MODEL 500 PARTS LIST

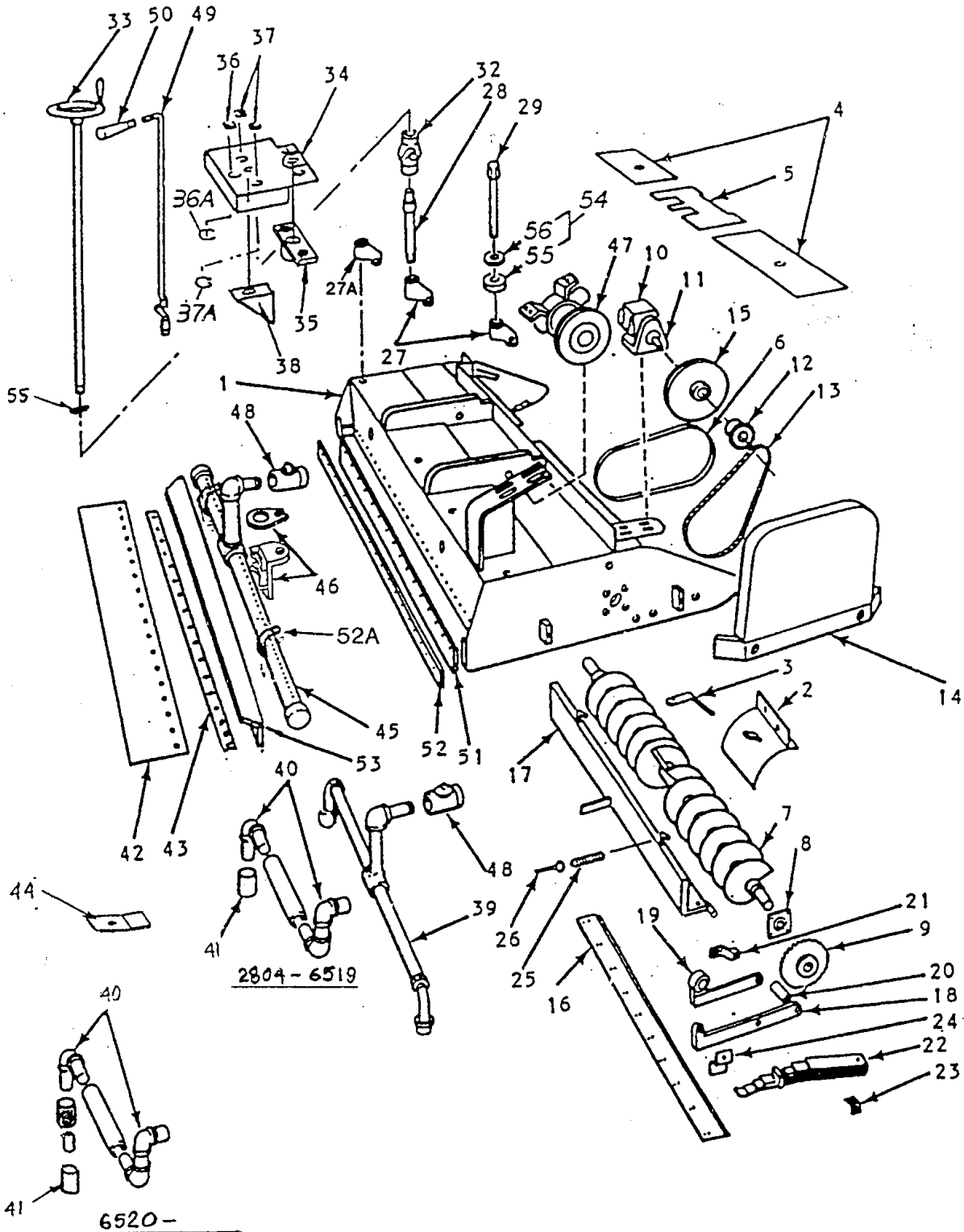
GROUP 10.010 WASH WATER TANK & OPERATOR'S AREA (CONT'D)

IND	NEW PART NO	OLD P/NO	DESCRIPTION	QTY	SERIAL NO
18	7H-15240		HAND RAIL	1	3658-7013
	7H-1524C		HAND RAIL	1	7114-
	HA-06009		SCREW, 1/4-20 X 2/4	2	3658-
	HA-06981		LOCKNUT, 1/4-20	2	3658-
19	4A-40510		HAND GRIP, INSTRUMENT PANEL SIDE	1	4363-
20	HA-06106		SCREW, SOCKET HEAD CAP, 1/4-20 X 1/2	2	4363-
21	HA-06862		LOCKWASHER, 1/4	2	4363-
22	7F-05201		AUGER OPENING FILLER	1	4732-5620
	7F-05203		AUGER OPENING FILLER	1	5621-*
	2H-00145		SEAL TRIM	1	4732-
	HA-10009		SCREW, HEX 3/8-16 X 3/4	2	4732-
	HA-10980		NUT, 3/8-16	2	4732-
23	2F-0012Y		SEAL, GRAY	1	2804-5620

NOTE: MACHINES WITH SERIAL NUMBERS 5562 AND 5570 ARE INCLUDED IN * LOOP.

* ZAMBONI *
MODEL 500 PARTS LIST

GROUP 11.010 CONDITIONER



* ZAMBONI *
MODEL 500 PARTS LIST

GROUP 11.010 CONDITIONER

IND	NEW PART NO	OLD P/NO	DESCRIPTION	QTY	SERIAL NO
	5F-74490	7449	COND ASSY (LESS MOTOR, PUMP, VALVES, BLADE)		2804-3493
	5F-74500		COND ASSY (LESS MOTOR, PUMP, VALVES, BLADE)		3526-
1	5H-72160	7216	FRAME WELDMENT, PRIMED	1	2804-
N/S	5A-0501A		POLY SIDE PLATE	1	2804-
	HA-06308		SCREW, SKT FLAT HD, 1/4-20 X 5/8	10,9	2804-
	HA-06611		SCREW, SKT FLAT HD, 1/4-20 X 1 (ADD TO 9 PIECES OF HA-06308)	1	6863-
2	49-39590	3959	SNOW SHIELD	1	2804-
	HA-10013	251	SCREW, HEX HD, 3/8-16 X 1-1/4	2	2804-
	HA-10860	142	FLAT WASHER, 3/8	2	2804-
	HA-10981	243	LOCKNUT, HEX, 3/8-16	2	2804-
3	5T-10210	3960	BRACKET, SNOW SHIELD	1	2804-
	HA-10009	265	SCREW, HEX HD, 3/8-16 x 2/4	1	2804-
	HA-10862	228	LOCKWASHER, 3/8	1	2804-
4	46-77490	7749	COVER, CONDITIONER, END	2	2804-
5	46-39760	3976	COVER, CONDITIONER, CENTER	1	2804-
6	42-73490	7349	BELT, WATER PUMP DRIVE	1	2804-3493
6	42-75450		BELT, WATER PUMP DRIVE	1	3526-6492
	42-75440		BELT, WATER PUMP DRIVE	51"	6493-
7	5A-38230	3823	CONVEYOR SCREW, HORIZONTAL	1	2804-
8	1X-33490	3349	BALL BEARING, FLANGED	2	2804-
	HA-12313	278	SCREW, SOCKET FLAT HEAD, 7/16-14 X 1-1/4	8	2804-3156
	HA-12313	278	SCREW, SOCKET FLAT HEAD, 7/16-14 X 1-1/4	4	3157-
	HA-12013	192	SCREW, HEX HD, 7/16-14 X 1-1/4	4	2804-
	HA-12981	191	LOCKNUT, HEX, 7/16-14	8	2804-
	5T-30100		BRACKET & COUPLING ASSEMBLY, REMOTE GREASING	2	6863-
	HF-06009		SCREW, HEX, HD, 1/4-20 X 3/4	1	6863-
	HF-06311		SCREW, SKT FLAT HD, 1/4-20 X 1	1	6863-
	HF-06981		LOCKNUT, 1/4-20	2	6863-
	1Z-01580		ZERK FITTING	2	6863-
	FL-64005		ADAPTER, REMOTE GREASING	2	6863-
	PL-0056B		HOSE, LUBRICATION	2	6863-
	Note: Machines with serial numbers 7000, 7001 don't have the remote greasing option.				
9	43-73370	7337	SPROCKET, 35 TEETH	1	2804-3493
9	43-4028A		SPROCKET, 28 TEETH	1	3526-
	43-73380	7338	BUSHING, TAPER LOCK, 1 INCH BORE	1	2804-
	15-02116	219	KEY, 1/4 SQUARE X 1-1/2	1	2804-
10	2M-75090	7509	MOTOR, HYDRAULIC, HORIZONTAL CONVEYOR DRIVE	1	2804-5578
	2M-0403A		MOTOR, HYDRAULIC, HORIZONTAL CONVEYOR DRIVE	1	5615-
	HA-10013	251	SCREW, HEX HD, 3/8-16 X 1-1/4	2	2804-
11	2M-53150	5315	BRACKET, MOTOR MOUNTING	1	2804-
	HA-10013	251	SCREW, HEX HD, 3/8-16 X 1-1/4	4	2804-
	HA-10860	142	FLATWASHER, 3/8	4	2804-
	HA-10981	243	LOCKNUT, HEX, 3/8-16	4	2804-
12	43-39290	3929	SPROCKET, 15 TEETH	1	2804-
	15-01116	172	KEY, 3/16 SQUARE X 1-1/2	1	2804-5377
	15-01125		KEY, 3/16 SQUARE X 2	1	5543-

* ZAMBONI *
MODEL 500 PARTS LIST

GROUP 11.010 CONDITIONER (CONT'D)

IND	NEW PART NO	OLD P/NO	DESCRIPTION	QTY	SERIAL NO
13	44-73480	7348	CHAIN, CONVEYOR DRIVE	1	2804-3493
13	44-4071A		CHAIN, CONVEYOR DRIVE	1	3526-
14	49-72090	7209	GUARD, CONVEYOR CHAIN	1	2804-
	HA-18313	394	SCREW, SOCKET FLAT HD, 5/8-11 X 1-1/4	2	2804-3727
	HF-18313		SCREW, STAINLESS SKT FLT HD, 5/8-11 X 1-1/4	2	2758-
15	KZ-77170	7717	KIT, SHEAVE & BUSHING W/INSTRUCTIONS	1	2804-3493
	41-77180	7718	SHEAVE, 8" (GATES), USE KZ-77170	1	2804-3493
15	KZ-7717A		KIT, SHEAVE & BUSHING W/INSTRUCTIONS	1	3526-
	41-5000A		SHEAVE, 10" (GATES), USE KZ-7717A	1	3526-5635
	41-77190	7719	BUSHING	1	2804-5635
	41-77200		COMPLETE PULLEY (NO BUSHING NEEDED), USE KZ-7717A	1	3526-5635
	41-77240		SHEAVE, 10.2" (MASKA)	1	5636-
	41-77210		BUSHING	1	5636-
	49-77220		SHIELD	1	2804-
16	5K-33630	3363	BLADE, CONDITIONER	1	2804-
	HA-14316	348	SCREW, SOCKET FLAT HEAD, 1/2-13 X 2	10	2804-3678
	HF-14316		SCREW, STAINLESS STEEL SKT FLAT HD, 1/2-13 X 2	10	3679-
	HA-14862	223	LOCKWASHER, 1/2	10	2804-3678
	HF-14862		LOCKWASHER, STAINLESS STEEL, 1/2	10	3679-
	HA-14983	379	NUT, HEAVY HEX PATTERN, 1/2-13	10	2804-3678
	HF-14980		NUT, STAINLESS STEEL HEAVY HEX, 1/2-13	10	3679-
17	5K-78890	7889	BAR, BLADE SUPPORT	1	2804-
18	5F-33410	3341	ARM, BLADE FULCRUM, LEFT	1	2804-
18	5F-33420	3342	ARM, BLADE FULCRUM, RIGHT	1	2804-
19	5F-33450	3345	ARM, BLADE HAMMER, LEFT OR RIGHT	2	2804-
20	13-22160	3343	BUSHING, FULCRUM ARM	2	2804-
	HA-18318	343	SCREW, SOCKET FLAT HEAD, 5/8-11 X 2-1/2	2	2804-3156
	HA-18318	343	SCREW, SOCKET FLAT HEAD, 5/8-11 X 2-1/2	1	3157-
	HA-18018	266	SCREW, HEX HD, 5/8-11 X 2-1/2	1	3157-
	HA-18860	143	FLAT WASHER, 5/8	2	2804-
	HA-18987	143	NUT, THIN, TRI-LOCK, 5/8-11	2	2804-
21	5T-10220	3346	BRACKET, HAMMER ARM SUPPORT	2	2804-
	HA-14313	344	SCREW, SOCKET FLAT HD, 1/2-13 X 1-1/4	2	2804-3156
	HA-14313	344	SCREW, SOCKET FLAT HD, 1/2-13 X 1-1/4	1	3157-
	HA-14013	267	SCREW, HEX HD, 1/2-13 X 1-1/4	1	3157-
	HA-14986	189	NUT, HEX FLEXLOCK, 1/2-13	2	2804-
22	1L-33481	3348	LEAF SPRING	2	2804-
	HD-2251L	175	SET-SCREW, SQUARE HD, 3/4-10 X 3	2	2804-
23	5T-16100	3347	BRACKET, LEAF SPRING SUPPORT	2	2804-
	HA-14313	344	SCREW, SOCKET FLAT HD, 1/2-13 X 1-1/4	1	3157-
	HA-14013	267	SCREW, HEX HD, 1/2-13 X 1-1/4	1	3157-
	HA-14986	189	NUT, HEX FLEXLOCK, 1/2-13	2	2804-
24	5T-10200	7028	BRACKET, SPRING RETAINER	2	2804-3156
	HA-12313	278	SCREW, SOCKET, FLAT HEAD, 7/16-14 X 1-1/4	2	2804-3156
	HA-12981	191	LOCKNUT, HEX, 7/16-14	2	2804-3156
25	1L-33580	3358	EXTENSION SPRING	2	2804-

* ZAMBONI *
MODEL 500 PARTS LIST

GROUP 11.010 CONDITIONER (CONT'D)

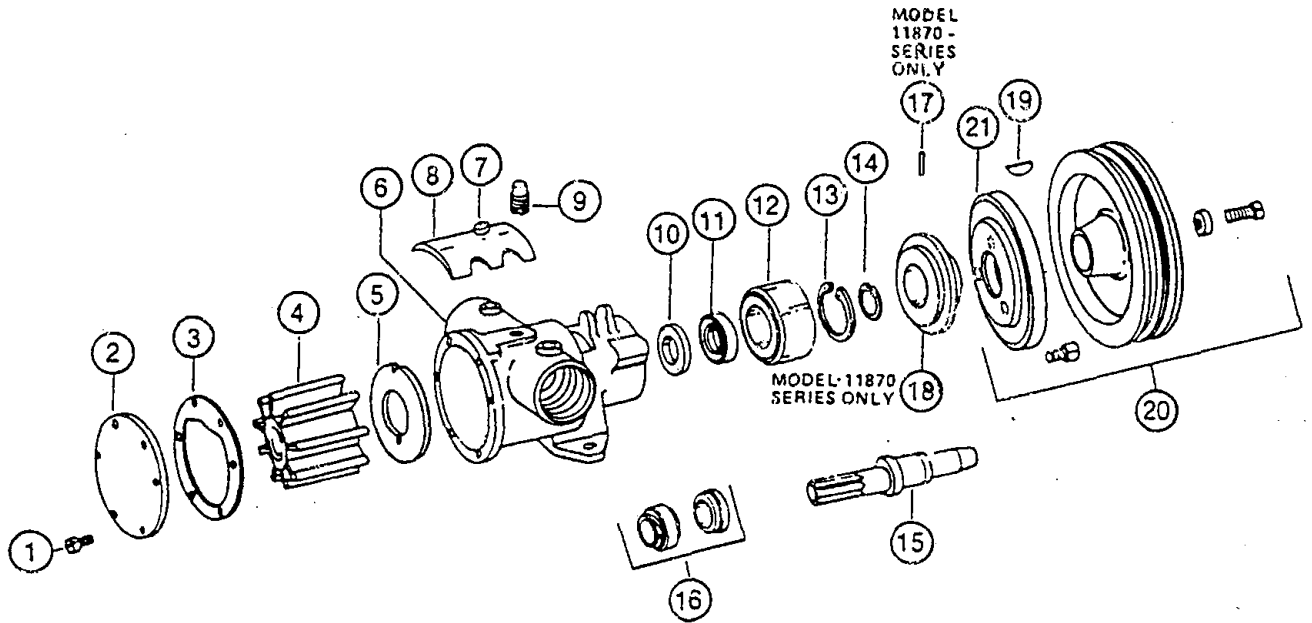
IND	NEW PART NO	OLD P/NO	DESCRIPTION	QTY	SERIAL NO
26	HC-1011X	3359	EYE BOLT	2	2804-
	HA-10980	114	NUT, HEX, 3/8-16	2	2804-
27	36-33930	3393	CLEVIS ASSY, BLADE ADJUSTING, RH & CENTER	2	2804-
	36-3393A		CLEVIS ASSY, BLADE ADJUSTING, LH	1	4856-
	HA-12015	269	SCREW, 7/16-14 X 1-3/4	3	2804-
	HA-12981	191	LOCKNUT, 7/16-14	3	2804-
28	5F-33510	3351	ADJUSTING SCREW, BLADE ANGLE	1	2804- 6534
28	5F-33510		ADJUSTING SCREW, BLADE ANGLE (COMES W/LOCK BOLT)	1	6535-
	HF-08009		SCREW, SS, HX HD, 5-16-18 X 3/4	1	6535-
	HA-08860		FLAT WASHER, 5/16	1	6535-
	HA-08862		LOCK WASHER, 5/16	1	6535-
29	5F-37340	3734	ADJUSTING SCREW, BLADE HEIGHT	2	2804-
30	1X-33520	3352	BEARING, NOT AVAILABLE, USE 5K-33640	3	2804-3727
31	5K-33530	3353	PAD SET, NOT AVAILABLE, USE 5K-33640	3	2804-3727
32	2B-33570	3357	UNIVERSAL JOINT, BLADE ADJUSTING	1	2804-
	15-01100	169	KEY, 3/16 SQUARE X 1	1	2804-
	15-01016		KEY, 3/16 SQUARE X 1/2	1	2804-
33	4C-1873A	1873	HANDWHEEL & ROD ASSY, BLADE ANGLE ADJUSTING	1	2804-
34	38-16520	1652	GUIDE PANEL, CONDITIONER CONTROLS	1	2804-5198
	38-16530		GUIDE PANEL, CONDITIONER CONTROLS	1	5343-
35			SNOW BREAKER ROD GUIDE-SEE GRP 6.010		
36	4X-8806A		GROMMET, 7/8 I.D.	1	2804-3581
36	4X-0500B		NYLON GROMMET, .80 I.D.	1	3658-
36A	HA-7080A		RETAINER, NYLON GROMMET	1	3658-
37	4X-6306A		GROMMET, 5/8 I.D.	2	2804-3581
37	4X-0500C		NYLON GROMMET, .60 E.D.	2	3658-
37A	HA-7056A		RETAINER, NYLON GROMMET	2	3658-
38	5T-40030	1354	BRACKET, ROD GUIDE BRACE	1	2804-
	HA-08009	273	SCREW, HEX HD, 5/16-18 X 3/4	1	2804-
	HA-08981	263	LOCKNUT, HEX, 5/16-18	1	2804-
	HA-08862	227	LOCKWASHER, 5/16	1	2804-
	HA-08860	222	FLAT WASHER, 5/16	1	2804-
39	5X-70690	7069	WASH WATER DISCHARGE ASSY	1	2804-
40	KZ-72260	7226	WASH WATER SUCTION ASSY (INCLUDES 41)	1	2804-6519
	KZ-72270		WASH WATER SUCTION ASSY (INCLUDES CHECK VALVE)	1	6523-
	2V-10050		CHECK VALVE	1	6523-
	FF-0131A		NIPPLE, 1-1/4 , CLOSED	1	6523-
	FW-43652		NIPPLE, 1-1/4X3-1/2	1	6523-
41	RE-5012A	7943	HOSE, 1-5/8 X 3-1/2	1	2804-
	27-2028A	700	CLAMP, 1-5/8 HOSE	1	2804-
42	5P-33620	3362	WATER SPREADER	1	2804-
	HF-08311		SCREW, SKT FLAT HD, 5/16-18 X 1	17	3758-
	HF-08904		LOCKNUT, 5/16-18	17	3758-

• ZAMBONI •
MODEL 500 PARTS LIST

GROUP 11.010 CONDITIONER (CONT'D)

IND	NEW PART NO	OLD P/NO	DESCRIPTION	QTY	SERIAL NO	
43	1M-33610	3361	STRAP, WATER SPREADER RETAINING	1	2804-3727	
	HA-06011	215	SCREW, HEX HD, 1/4-20 X 1	17	2804-3727	
	HA-06981	210	LOCKNUT, HEX, 1/4-20	17	2804-3727	
44	5T-10180	7066	SUPPORT BRACKET, SUCTION/DISCHARGE ASSY	1	2804-	
	HA-10020	270	SCREW, HEX HD, 3/8-16 X 3	1	2804-	
	HA-10981	243	LOCKNUT, HEX, 3/8-16	1	2804-	
45	5X-70680	7068	ICE MAKING WATER DISCHARGE ASSY	1	2809-	
46	5T-10170	3368	BRACKET, DISCHARGE SUPPORT	1	2809-	
	HA-10009	265	SCREW, HEX HD, 3/8-16 X 3/4	1	2804-	
	HA-10862	228	LOCKWASHER, 3/8	1	2804-	
47	2P-37570	3757	PUMP, WASH WATER	1	2804-	
	HA-10013	251	SCREW, HEX HD, 3/8-16 X 1-1/4	4	2804-	
	HA-10860	142	FLAT WASHER, 3/8	8	2804-	
	HA-10981	243	LOCKNUT, HEX, 3/8-16	4	2804-	
	2P-33850	3385	IMPELLER, WATER PUMP	1	2804-	
	84-37570	3385	IMPELLER, PULLER, WATER PUMP	1	2804-	
	2A-6000H	3748	CLUTCH ASSY, WATER PUMP (INCLUDES COIL)	1	2804-	
	8F-37470	3747	COIL, WATER PUMP CLUTCH	1	2804-	
	48	2V-79701	7970	BALL VALVE, 1-1/4	2	2804-
		2F-79701		KIT, SEAL, BALL VALVE	1	2804-
KZ-79701			KIT, VALVE STEM NUT	1	2804-	
49	4E-16490	1649	ROD, WASH WATER CONTROL	1	2804-3493	
49	4E-16480	1648	ROD, ICE WTR CNTRL, NOT AVAILABLE-USE 4F-16490	1	2804-3493	
49	4E-16490		ROD, ICE MAKING & WASH WATER CONTROL	2	3526-	
50	4B-31460	3146	HANDLE, CONTROL ROD	2	2804-	
	4E-1000A		ASSEMBLY, HANDLE & U-JOINT	2	2804-	
51	5M-33550	3355	SQUEEGEE	1	2804-	
52	1M-33560	3356	STRAP, SQUEEGEE RETAINING	1	2804-	
	HA-10011	252	SCREW, HEX HD, 3/8-16 X 1	19	2804-	
52A	HA-10980	114	NUT, HEX, 3/8-16	19	2804-	
	5V-07000		LOWER SUPPORT BRCKT PVC	2	4539-	
53	5R-33600	3360	BAR, WATER SPREADER SUPPORT	1	2804-	
54	5K-33640		KIT, BEARING & WASHERS, BLADE ADJUSTING	2,3	3758-	
	1X-13500		THRUST BEARING, BLADE ADJUSTING	2,3	3758-	
	HF-22860		WASHER, STAINLESS STEEL, 3/4	2,3	3758-	
55	1X-0440A		BEARING, BLADE ADJUSTING HANDWHEEL	1	5047-	
N/S	2H-08000		TAPE, ANTI-SLIP, (FT.)	2.7	6204-	

EXPLODED VIEW



PARTS LIST FOR 2P-37570 OR 3874 WATER PUMP

KEY	DESCRIPTION	QUANTITY REQUIRED	PART NUMBER	KIT 3758	KIT 3759	KIT 3760
1	Screw (End Cover)	5	9366	◆	▼	
2	End Cover	1	9358	◆		
3	Gasket	1	816	●		
4	Impeller	1	2P-33850(Rubber)			♣
		1	2P-33851(Synthetic)			♣
5	Wear Plate	1	819	◆		
6	Body	1				
7	Screw (Cam)	1				
8	Cam, Brass	1	9367	◆		
9	Pipe Plug	2				
10	Slinger	1	2P-3757A			
11	Seal (Bearing)	1	817		▼	
12	Ball Bearing (Pump)	1	9404		▼	
13	Retaining Ring (Bearing to Body)	1	HA-7152A			
14	Retaining Ring (Bearing to Shaft)	1	HA-7076A			
15	Shaft	1	19-07000		▼	
16	Seal (Shaft)	1	9359	◆	▼	♣
17	Roll Pin (Adaptor)	2				
18	Adaptor	1				
19	Key (Clutch Drive)	1	15-70505		▼	
20	Clutch Assy, Complete 12V	1	2A-6000H			
21	Field Coil (Replacement)	1	8F-37470			

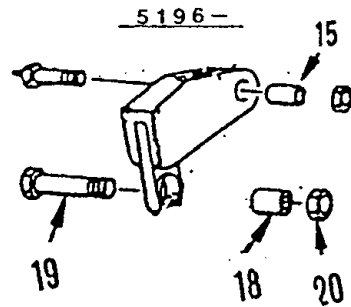
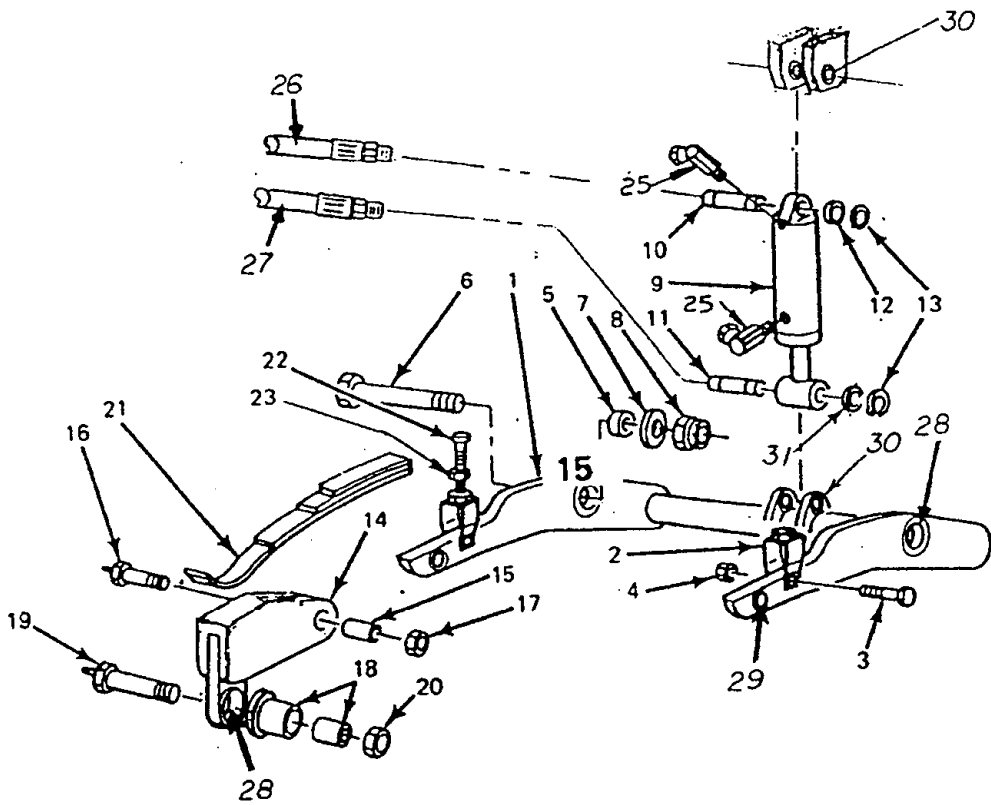
◆ = Kit, General Water Pump Repair Z[®] Part No. 3758

▼ = Kit, Water Pump Shaft Replacement Z[®] Part No. 3759

♣ = Kit, Service Water Pump Z[®] Part No. 3760

• ZAMBONI •
MODEL 500 PARTS LIST

GROUP 11.070 CONDITIONER LIFT BAR



* ZAMBONI *
MODEL 500 PARTS LIST

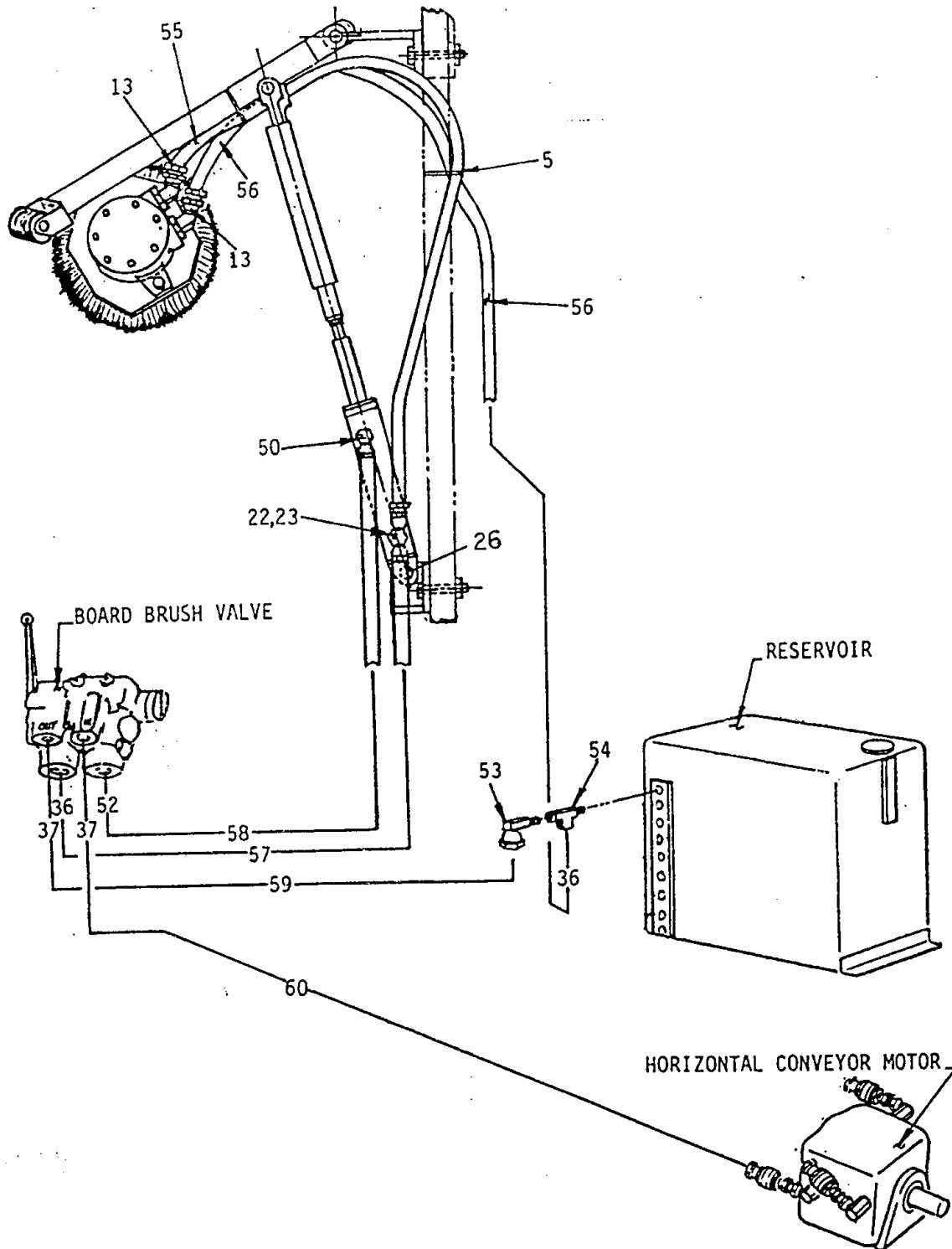
GROUP 11.070 CONDITIONER LIFT BAR

IND	NEW PART NO	OLD P/NO	DESCRIPTION	QTY	SERIAL NO
1	5J-77770		LIFT BAR WITH TENSION BUSHINGS	1	2804-
2	38-77770	7777	YOKE, LEAF SPRING	2	2804-
3	HA-10015	412	SCREW, HEX HD, 3/8-16 X 1-3/4	2	2804-
4	HA-10981	243	LOCKNUT, HEX, 3/8-16	2	2804-
5	10-39610	3961	BUSHING	2	2804-
6	HD-3062D	7721	SCREW WITH GREASE FITTING, 1-8 X 5-1/2	2	2804-
7	HA-30861	144	FLAT WASHER, 1 INCH	2	2804-
8	HA-30986	377	NUT, HEX FLEXLOCK, 1-8	2	2804-
9	2X-39360	3936	CYLINDER, CONDITIONER LIFT	1	2804-3727
9	2X-3005A		CYLINDER, CONDITIONER LIFT	1	3758-
9A	2X-3005K		SEAL KIT FOR 2X-3005A CYLINDER	1	3758-
10	16-70560	7056	PIN WITH GREASE FITTING, CYLINDER TOP	1	2804-3727
10	16-7056A		PIN, 1 X 3-7/16	1	3758-
11	16-70570	7057	PIN WITH GREASE FITTING, CYLINDER BOTTOM	1	2804-3727
11	16-7057A		PIN, 1 X 3-15/16	1	3758-
12	HA-30861	7548	FLAT WASHER, 1	2	2804-
13	HA-7064A	7544	SNAP RING, PIN RETAINING	4	2804-
14	5J-77760		YOKE WITH TENSION BUSHINGS	2	2804-5195
	5J-04020		YOKE WITH GREASE FITTING	2	5196-
15	10-71300	7130	BUSHING, YOKE TO LIFT BAR	2	2804-
16	HD-1861F	7454	SCREW WITH GREASE FITTING, 5/8-11 X 2-1/2	2	2804-
17	HA-18986	206	NUT, HEX FLEXLOCK, 5/8-11	2	2804-
18	KZ-71510	7151	KIT, INNER & OUTER BUSHING, YOKE TO COND	2	2804-5195
	10-2424A		BUSHING	2	5196-
19	HD-226IN	7397	SCREW WITH GREASE FITTING, 3/4-10 X 3-1/4	2	2804-5195
	HA-22121		SCREW, 3/4-10 X 3-1/4	2	5196-
20	HA-22986	314	NUT, HEX FLEXLOCK, 3/4-10	2	2804-
21	1L-67540	6754	LEAF SPRING	2	2804-
22	HD-1451F	238	SET-SCREW, SQUARE HD, 1/2-13 x 3	2	2804-
23	HA-14982	250	NUT, THIN PATTERN HEX, 1/2-13	2	2804-
25	F2-69090		90 ELBOW, 06FS X 08MP	2	2804-4627
	F2-75080		45 ELBOW, 06FS X 08MP	2	4732-
26	PL-0056B		HOSE, LUBRICATION, 1/8 X 14	1	3758-5043
	PL-0120B		HOSE, LUBRICATION, 1/8 X 38	1	5044-
27	PL-0092B		HOSE, LUBRICATION, 1/8 X 23	1	3758-5043
	PL-0130B		HOSE, LUBRICATION, 1/8 X 48	1	5044-
28	10-4828A		TENSION BUSHING, 1-3/4 X 1-1/2 X 3/4	2	43758-
29	10-3220A		TENSION BUSHING, 1-1/4 X 1 X 3/4	2	3758-
30	10-3220B		TENSION BUSHING, 1-1/4 X 1 X 1/2	4	3964-
31	HA-30861		FLAT WASHER, S.A.E., 1 INCH	2	2804-3817
	9099		BUSHING & BOLT KIT, LIFT BAR	1	2804-5196
	KZ-09099		BUSHING & BOLT KIT, LIFT BAR	1	5196-

INCLUDES ITEMS 5,6,7,8,12,13,15,16,17,18,19,20

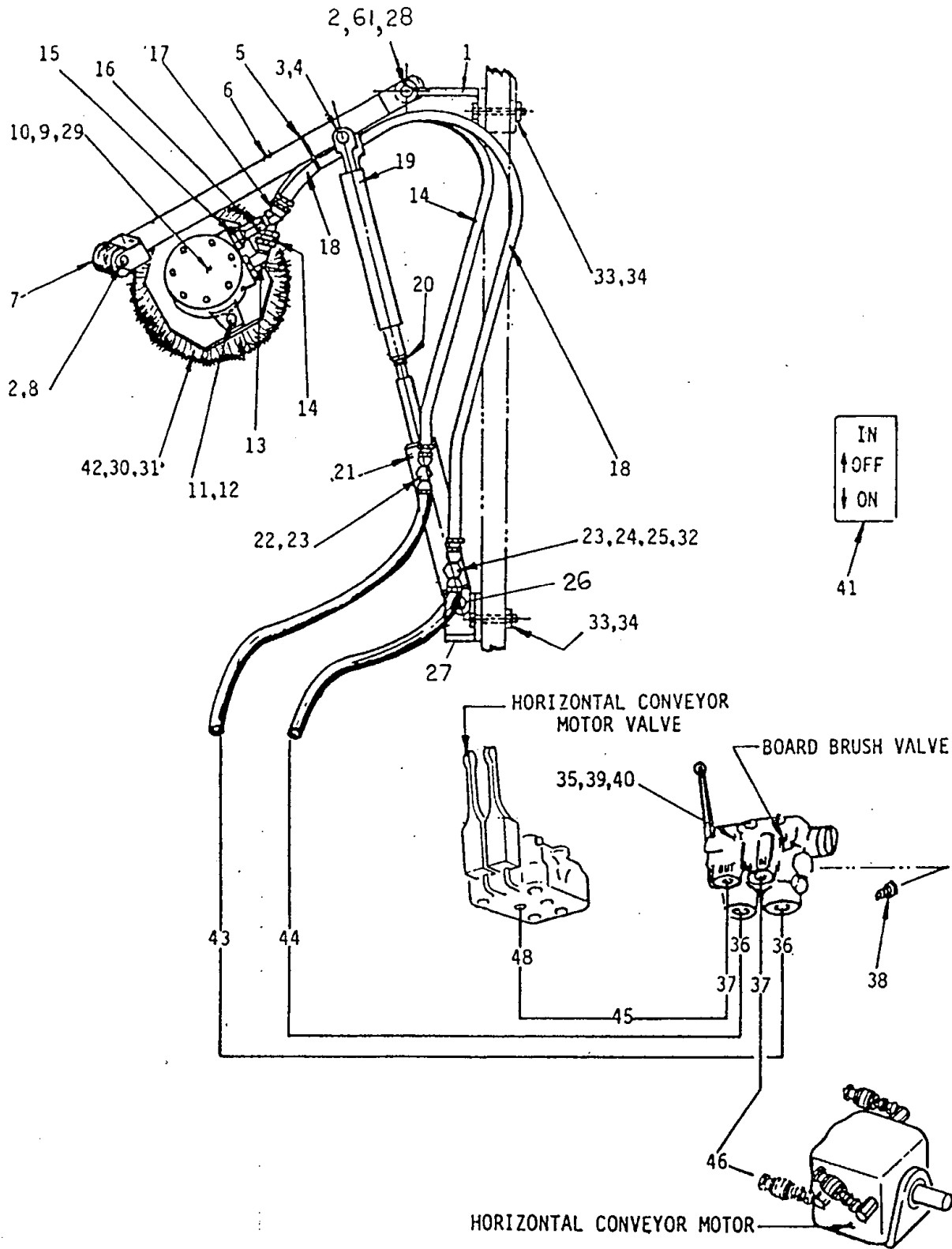
* ZAMBONI *
MODEL 500 PARTS LIST

GROUP 12.010 BOARD BRUSH SERIAL NUMBER 2804-3156



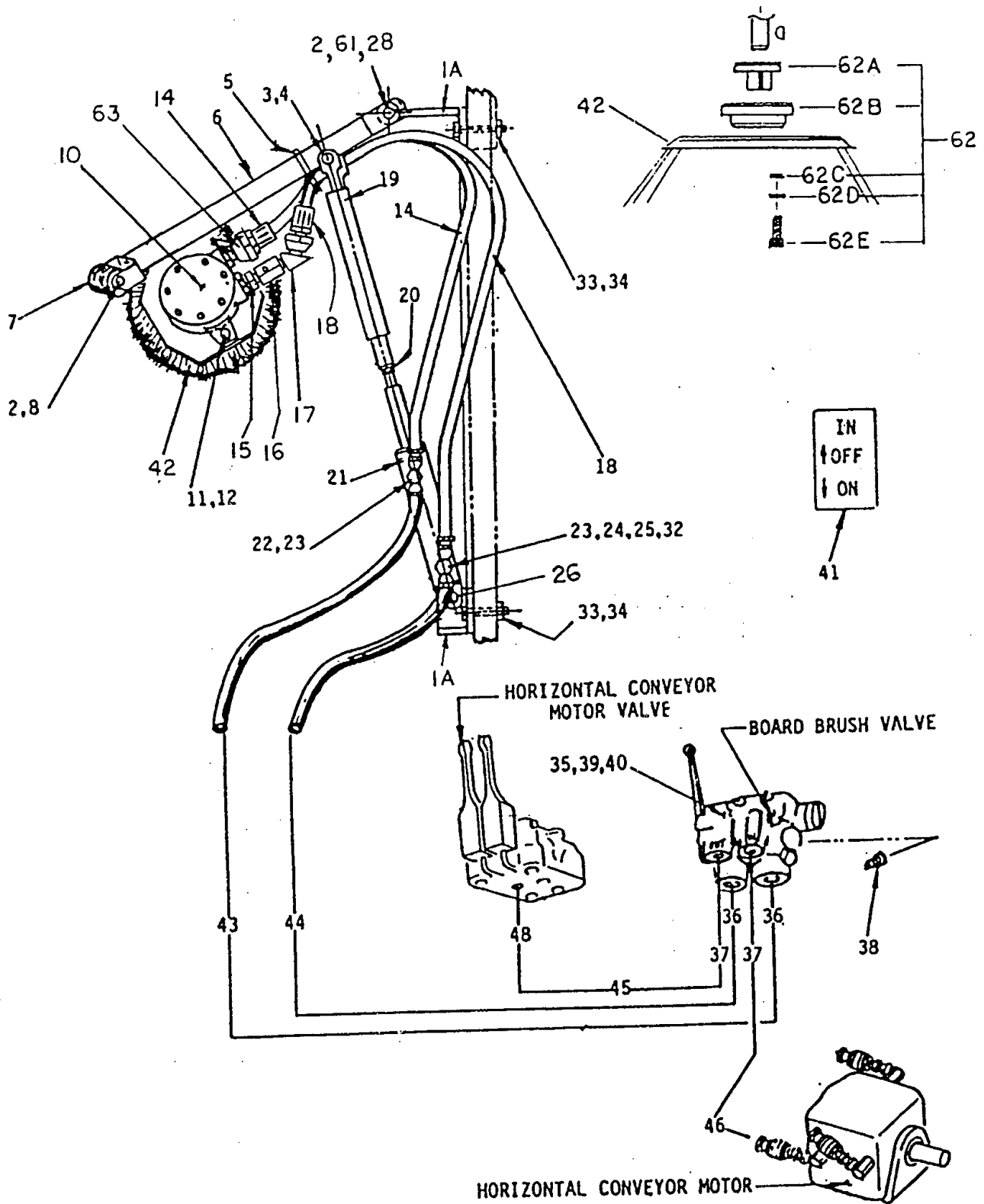
* ZAMBONI *
MODEL 500 PARTS LIST

GROUP 12.010 BOARD BRUSH SERIAL NUMBER 3157-3396



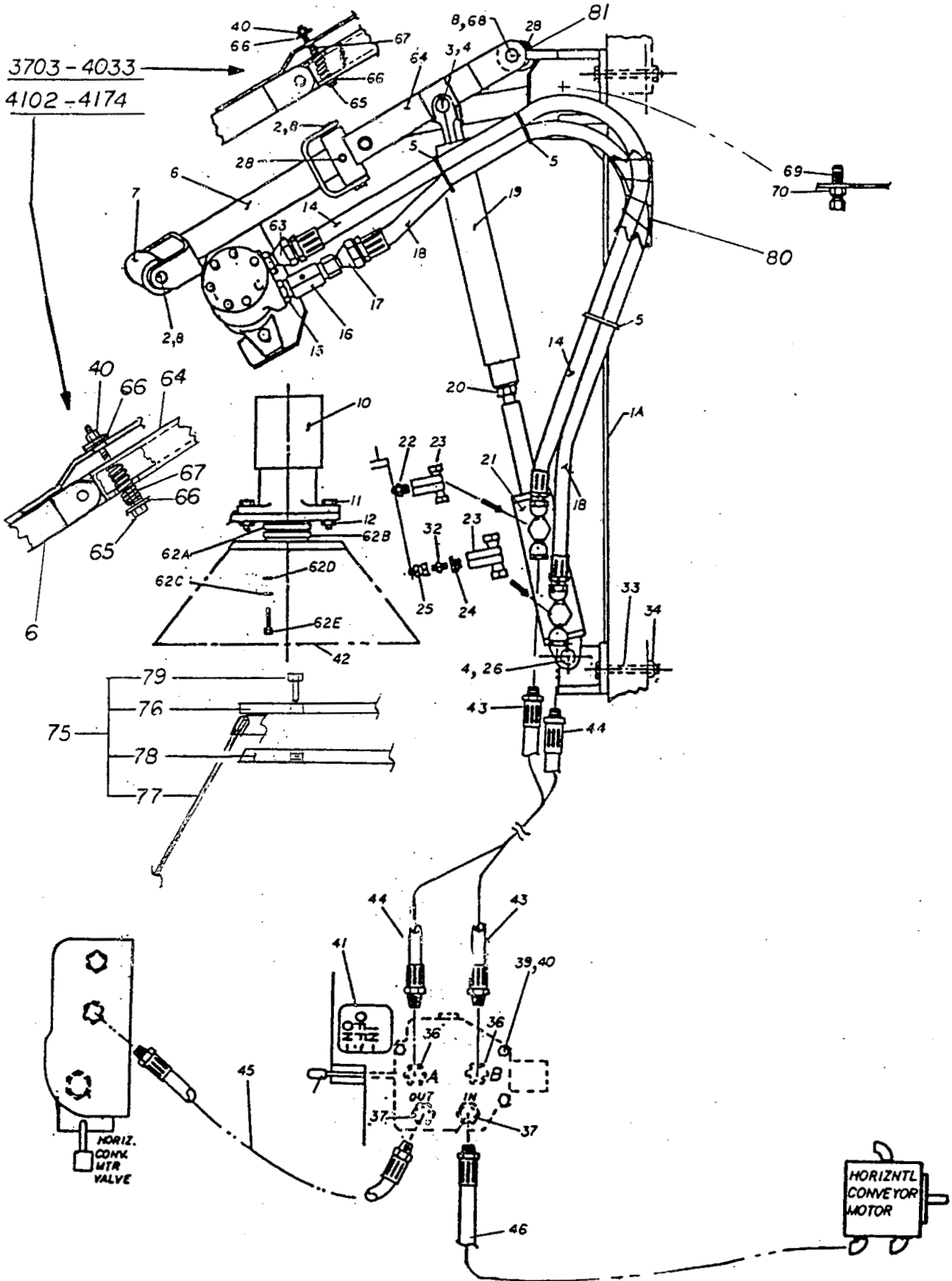
* ZAMBONI *
MODEL 500 PARTS LIST

GROUP 12.010 BOARD BRUSH SERIAL NUMBER 3397-3702



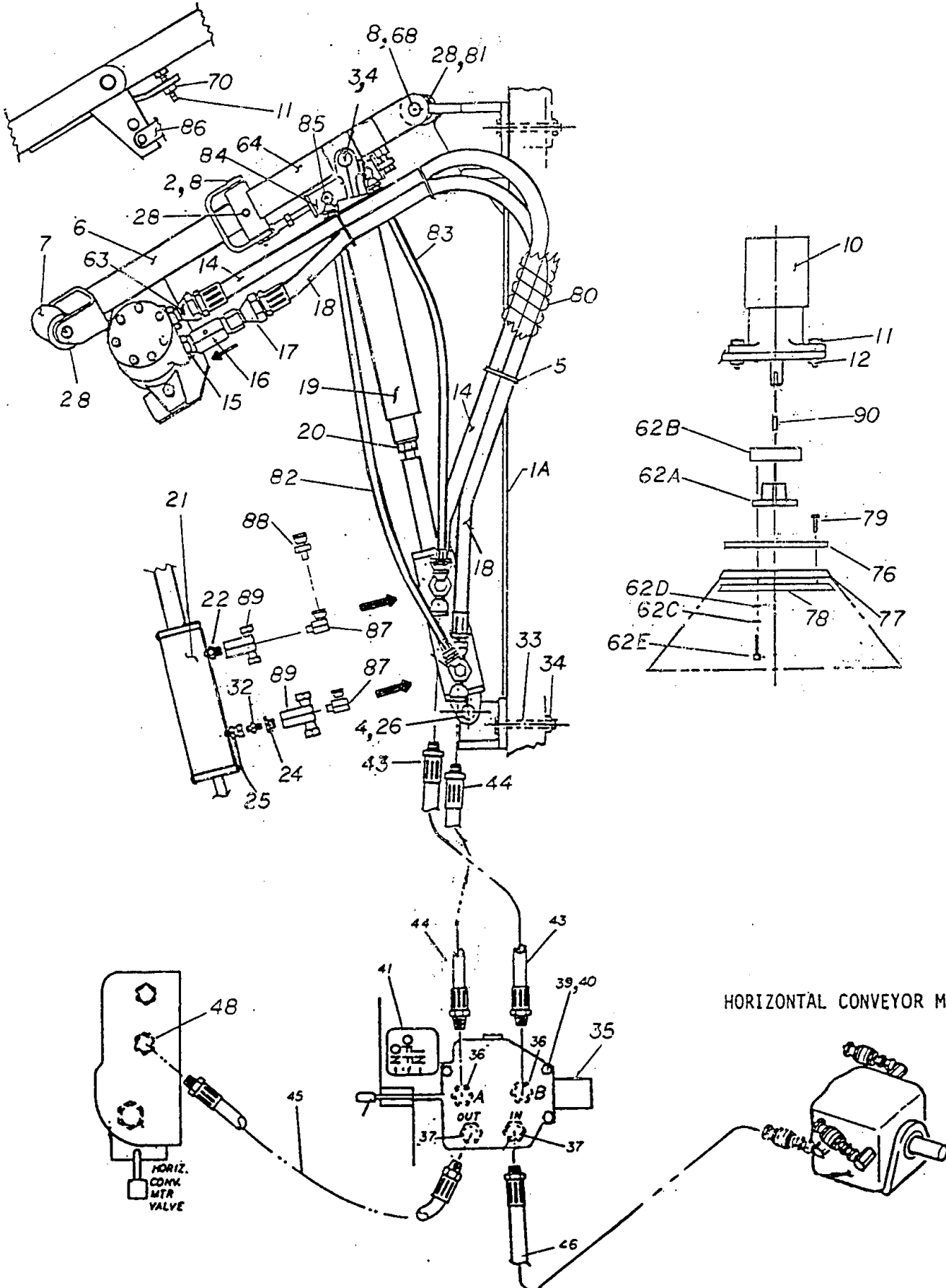
* ZAMBONI *
MODEL 500 PARTS LIST

GROUP 12.010 BOARD BRUSH SERIAL NUMBER 3703-4174



* ZAMBONI *
MODEL 500 PARTS LIST

GROUP 12.010 BOARD BRUSH SERIAL NUMBER 4175-4726



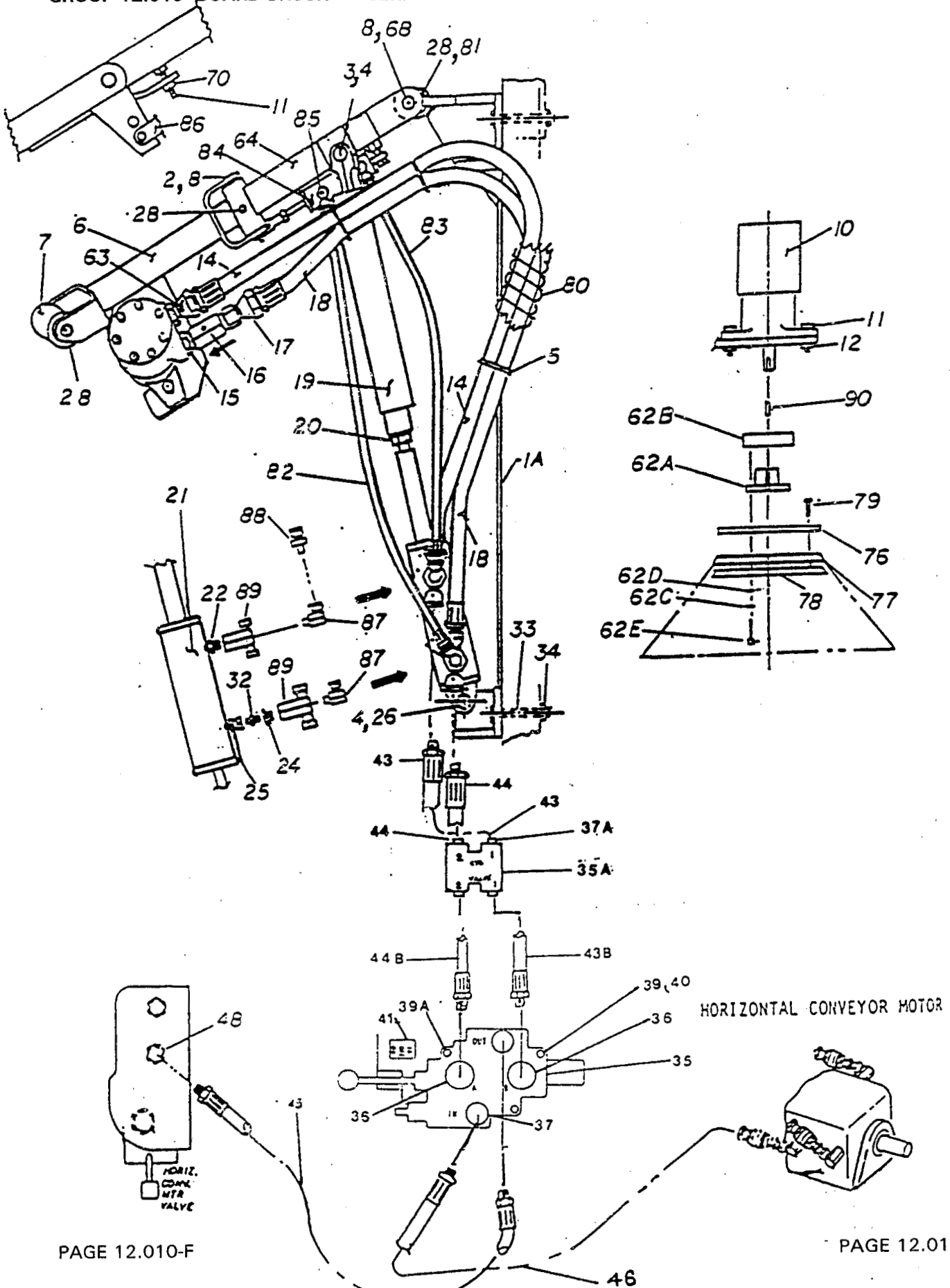
* ZAMBONI •
MODEL 500 PARTS LIST

GROUP 12.010 BOARD BRUSH

IND	NEW PART NO	OLD P/NO	DESCRIPTION	QTY	SERIAL NO
1A	3M-18300		BRACKET, ARM MOUNTING, FRT & REAR	1	2804-3702
1A	5V-0602A		BRACKET, ARM MOUNTING	1	3703-4174
1A	5V-0605A		BRACKET, ARM MOUNTING	1	4175-4781
2	15-62130	6213	HINGE PIN	2	2804-4781
3	HA-65444	234	CLEVIS PIN, 1/2 X 1-3/8	1	2804-4781
4	HA-52712	151	COTTER PIN, 1/8 X 1-1/8	2	2804-4781
5	27-40100	720	CLAMP, TY-WRAP	2	2804-3702
5	27-40500		CLAMP, TY-WRAP	3	3703-4781
6	4F-62050	6205	ARM, MOTOR SUPPORT	1	2804-3702
6	5V-0600A		ARM, MOTOR SUPPORT	1	3704-4033
6	5V-0600D		ARM, MOTOR SUPPORT	1	4102-4174
6	5V-0605D		ARM, MOTOR SUPPORT	1	4175-4781
7	8R-62140	6214	ROLLER, BRUSH GUIDE	1	2804-3702
7	8R-0500A		ROLLER, BRUSH GUIDE	1	3703-4781
8	HA-52716	152	COTTER PIN, 1/8 X 2	1	2804-3581
8	15-81116		ROLL PIN, 5/32 X 1-1/2	1,3	3658-4781
10	2M-62020	6202	HYDRAULIC MTR, NOT AVAILABLE, USE KZ-62020	1	2804-3396
	KZ-62020		HYDRAULIC MOTR REPLACEMENT KIT	1	2804-3396
10	2M-62040		HYDRAULIC MOTOR	1	3397-4781
	2M-62041		SEAL KIT, HYDRAULIC MOTOR	1	3397-4781
11	HA-10014	297	SCREW, HEX HD, 3/8-16 X 1-1/2	2	2804-4174
11	HA-14014		SCREW, HEX HD, 1/2-13 X 1-1/2	2	4175-4781
12	HA-10981	243	LOCKNUT, HEX, 3/8-16	2	2804-4174
12	HA-14986		LOCKNUT, HEX, 1/2-13	2	4175-4781
13	F1-75070	1026	45 ELBOW, 10MB X 06FS	2	2804-3156
13	F1-75070	1026	45 ELBOW, 10MB X 06FS	1	3157-3396
14	PM-4152B		HOSE, 1/2 X 38, 06MP X 06MP	1	3157-4781
15	F1-62540		ADAPTER, 10MB X 08MP	1	3157-3817
15	F1-64580		ADAPTER, 10MB X 08FP	1	3964-4781
16	KV-1841V		KIT, CHECK VALVE, INCLUDES 15 & 16	1	3157-3817
16	2V-44610		CHECK VALVE, 08MP X 08MP	1	3964-4781
17	F2-76040		45 ELBOW, 06FS X 08FP	1	3157-3702
17	F2-65150		ADAPTER, 08FP, 06FS	1	3703-4781
18	PM-4164C		HOSE, 1/2 X 41, 06MP X 06MP	1	3157-4781
19	1W-62210	6221	DAMPENER	1	2804-4781
20	HA-19982		NUT, HEX THIN PATTERN, 5/8-18	1	2804-4781
21	2X-62280	6228	HYDRAULIC CYLINDER	1	2804-4174
21	2X-2004A		HYDRAULIC CYLINDER	1	4175-4781
22	FL-62030	1023	HEX NIPPLE, 06MP X 04MP	1	2804-4781
23	F2-81270	1024	TEE, 06FS X 06FS RUN, 06FP BRANCH	1	2804-3156
23	F2-81270	1024	TEE, 06FS X 06FS RUN, 06FP BRANCH	2	3157-4174
24	FD-15010	663	REDUCING BUSHING, 3/8 X 1/4 NPT	1	3157-4781
25	F2-9303E		RESTRICTOR, .040 ORIFICE, 04FS X 04MP	1	3157-4781

* ZAMBONI *
MODEL 500 PARTS LIST

GROUP 12.010 BOARD BRUSH SERIAL NUMBER 4727-4781



* ZAMBONI *
MODEL 500 PARTS LIST

GROUP 12.010 BOARD BRUSH (CONT'D)

IND	NEW PART NO	OLD P/NO	DESCRIPTION	QTY	SERIAL NO
26	HA-66484	798	CLEVIS PIN, 5/8 X 1-3/4	1	2804-4781
27	3M-18340	1834	BRKT, ARM MTG, REAR, NOT AVAILABLE, USE 1A	1	2804-3396
28	1Z-04710	471	GREASE FITTING, 1/4 DRIVE	1,2	2804-4781
29	HD-0640F	146	SET-SCREW, HEX SOCKET, 1/4-20 X 3/8	1	2804-3396
30	HA-06006	214	SCREW, HEX HD, 1/4-20 X 1/2	3	2804-3396
31	HA-06862	225	LOCKWASHER, 1/4	3	2804-3396
32	F2-62010		ADAPTER, 04MP X 04MPA (NPSM)	1	3157-4781
33	HA-13020	360	SCREW, HEX HD, 7/16-20 X 3	4	2804-4781
34	HA-13981	197	LOCKNUT, HEX, 7/16-20	4	2804-4781
35	2V-62040	6204	VALVE WITH PIPE PORTS	1	2804-3273
	KZ-6204B		KIT, DETENT, FOR 2V-62040 W/THREADED END CAP	1	2804-3273
35	2V-6204A		VALVE & HANDLE, O-RING PORTS	1	3274-4615
	2V-6204D		VALVE & HANDLE, O-RING PORTS	1	4616-4781
	2V-6204B		BRACKET VALVE TO HANDLE	1	3274-4615
35A	2V-62039		SINGLE P.O. CHK VALVE	1	4616-4781
36	F2-64090	958	ADAPTER, USED ONLY WITH VALVE W/PIPE PORTS	2	2804-3273
36	F1-64360	5551	ADAPTER, 10MB (O-RING) X 06FS	2	3274-4437
36	F1-75070		45 ELBOW, 10 MB (O-RING) X 06FS	2	4539-4781
37	F2-64120	959	ADAPTER, USED ONLY WITH VALVE W/PIPE PORTS	2	2804-3273
37	F1-64390	989	ADAPTER, 12MB (O-RING) X 08FS	2	3274-4781
37A	F2-64090		STRAIGHT ADAPTOR, 08MPX06FS	4	4616-4781
38	FL-18210		PLUG, HEX SOCKET DRYSEAL, 3/4 NPTF	1	2804-4781
39	HA-08019	435	SCREW, HEX HD, 5/16-18 X 2-3/4	3,4	2804-4615
	HA-10015		SCREW, HEX HD, 3/8-24 X 1-1/4	3	4616-4781
40	HA-08981	263	LOCKNUT, HEX, 5/16-18	3	2804-4615
	HA-10981		LOCKNUT, HEX, 3/8-24	3	4616-4781
41	81-18430	1843	PLATE, BOARD BRUSH VALVE OPERATION	1	2804-4781
42	5V-62010	6201	BRUSH, NOT AVAILABLE, USE ITEM 75	1	2804-3804
43	PM-4400B		HOSE, 1/2 X 100, 06MP X 06MP	1	3157-4615
	PM-4337B		HOSE, 1/2 X 90, 06MP X 06MP	1	4616-4781
43B	PM-4025B		HOSE, HM08, 009.00, 06MP06MP	1	4616-4781
44	PM-4376B		HOSE, 1/2 X 94, 06MP X 06MP	1	3157-4615
	PM-4304B		HOSE, 1/2 X 84, 06MP X 06MP	1	4616-4781
44B	PM-4010B		HOSE, HM08, 007.00, 06MP06MP	1	4616-4781
45	PM-4104B		HOSE, 1/2 X 26, 08MP X 08MP	1	3157-4781
46	PM-4248B		HOSE, 1/2 X 62, 08MP X 08MP	1	3157-4781
48	F1-64340		ADAPTER, 08MB X 08FS	1	3157-4781
50	F2-69050	988	90 ELBOW, 04MP X 06FS	1	2804-3156
52	F2-9304E	1025	RESTRICTOR, .040 ORIFICE, 06FS X 06MP	1	2804-3156
53	F2-69120	970	90 ELBOW, 08MP X 08FS	1	2804-3156
54	FL-82190	986	TEE, 08MP X 08FS RUN, 08FP BRANCH	1	2804-3156
55	PM-3152B	2638	HOSE, 3/8 X 38, 06MP X 06MP	1	2804-3156

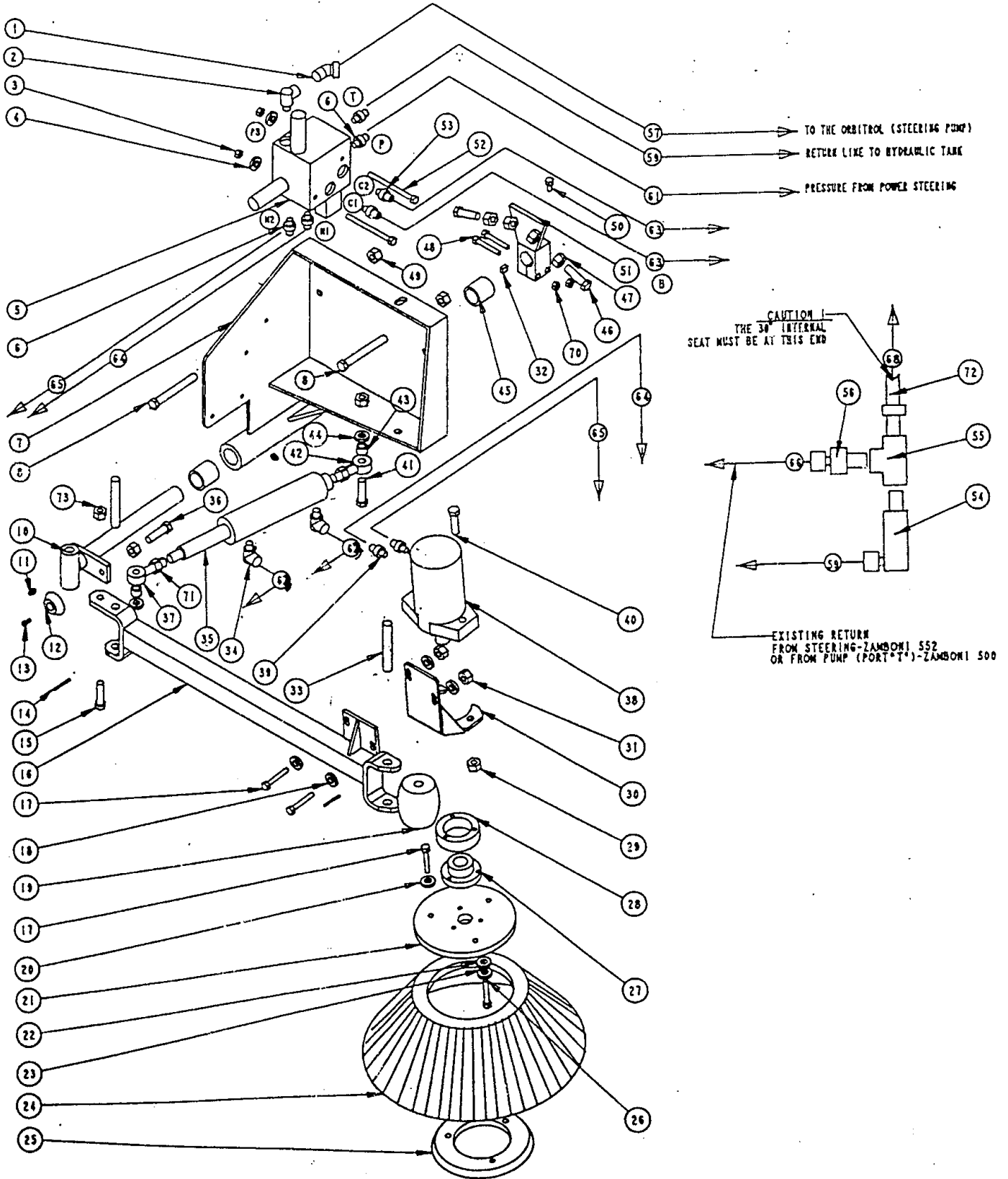
* ZAMBONI *
MODEL 500 PARTS LIST

GROUP 12.010 BOARD BRUSH (CONT'D)

IND	NEW PART NO	OLD P/NO	DESCRIPTION	QTY	SERIAL NO
56	PM-3600B	7576	HOSE, 3/8 X 150, 06MP X 06MP	1	2804-3156
57	PM-3376B	7579	HOSE, 3/8 X 94, 06MP X 06MP	1	2804-3156
58	PM-3400B	6641	HOSE, 3/8 X 100, 06MP X 06MP	1	2804-3156
59	PM-4180B	7582	HOSE, 1/2 X 45, 08MP X 08MP	1	2804-3156
60	PM-4200B	1841	HOSE, 1/2 X 50, 08MP X 08MP	1	2804-3156
61	15-81116		ROLL-PIN, 5/32 X 1-1/2	1	2804-3702
62	KZ-09500		KIT, BRUSH ADAPTER (INCLUDES 62A THRU 62E)	1	4382-4781
62A	43-0916B		BUSHING, OD	1	3397-4384
62A	43-73380		BUSHING, OD	1	4385-4781
62B	5V-0500A		BRUSH ADAPTER PLATE	1	3397-4384
62B	5V-0500B		BRUSH ADAPTER PLATE	1	4385-4781
62C	HA-03862		LOCKWASHER, #10	3	3397-4384
62C	HA-06862		LOCKWASHER, 1/4"	3	4385-4781
62D	HA-03867		WASHER, #10 WITH .203 I.D.	3	3397-4384
62D	HA-05862		WASHER, FLAT, 3/4 OD X 7/32 ID	3	4385-4781
62E	HA-03313		SCREW, SOCKET HEAD CAP, 10-34 X 1-1/4	3	3397-4384
62E	HA-06012		SCREW, HEX HEAD, 1/4-20 X 1-3/8"	3	4385-4781
63	F1-64360		ADAPTER, 10MB X 06FS	1	3397-4781
64	5V-0600C		ARM, UPPER	1	3703-4033
64	5V-0600F		ARM, UPPER	1	4102-4174
64	5V-0605P		ARM, UPPER	1	4175-4781
65	HA-08023		SCREW, HEX HD, 5/16-18 X 3-3/4	1	3703-4781
66	HA-08860		FLATWASHER, 5/16	2	3703-4781
67	1L-2001A		SPRING	1	3703-4033
67	1L-2002A		SPRING	1	4102-4781
68	5V-06017		PIVOT PIN	1	3703-4781
69	HE-1401B		BRONZE BOLT, HEX HEAD, 1/2-13 X 2	1	3703-4781
70	HA-14982		HEX NUT, THIN PATTERN, 1/2-13	1	3703-4781
75	KZ-09510		BRUSH KIT, INCLUDES 76, 77, 78, 79	1	2804-3804
76	5V-62024		PLATE, BRUSH CLAMPING, UPPER	1	3805-4781
77	5V-62020		BRUSH	1	3805-4781
78	5V-62022		RING, BRUSH CLAMPING, LOWER	1	3805-4781
79	HA-08011		SCREW, HEX HEAD, 5/16-18 X 1	3	3805-4781
80	49-0011A		HOSE GUARD COIL	1	3812-4781
81	10-2416W		TENSION BUSHING, MOUNTING ARM	2	3703-4781
82	PM-1124B		HOSE	1	4175-4781
83	PM-1088D		HOSE	1	4175-4781
84	2X-87560		HYDRAULIC CYLINDER	1	4175-4781
85	F2-69010		90 DEG ELBOW, 02MP, 02FS	2	4175-4781
86	36-0600A		CLEVIS ASSEMBLY WITH PINS	1	4175-4781
87	F2-69040		90 DEG ELBOW, 04MP, 04FS	2	4175-4781
88	F2-9303F		RESTRICTOR, .030 ORIFICE, 04MP, 04FS	1	4175-4781
89	F2-8127A		TEE, 06FS RUN, 06FP BRANCH, WITH 04FP TAPPED PORT	2	4175-4781
90	15-70808		WOODRUFF KEY, BRUSH MOTOR SHAFT	1	2804-4781

* ZAMBONI *
MODEL 500 PARTS LIST

GROUP 12.010 BOARD BRUSH SERIAL NUMBER 5009-6517



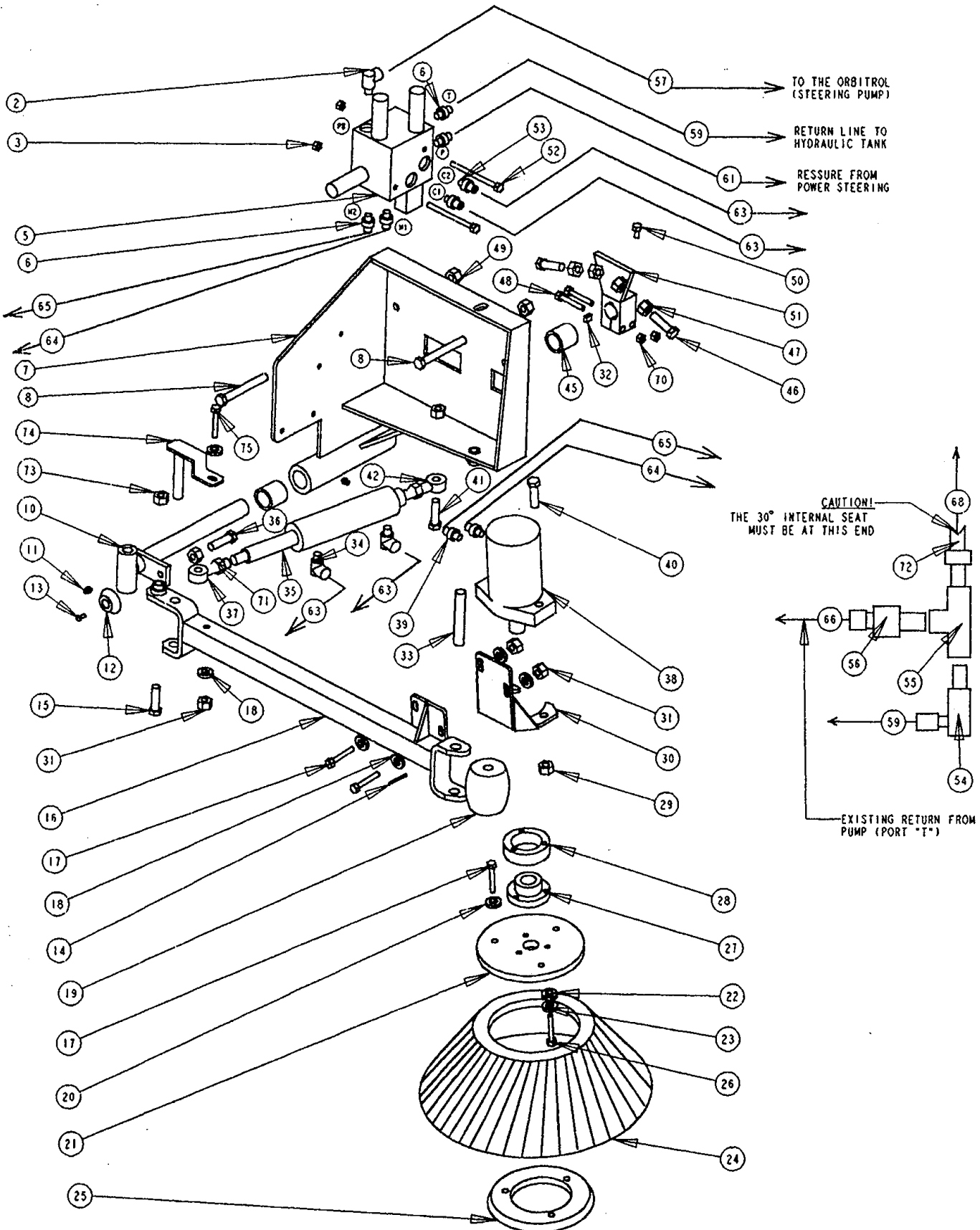
* ZAMBONI *
MODEL 500 PARTS LIST

GROUP 12.010 BOARD BRUSH (CONT'D)

IND	NEW PART NO	OLD P/NO	DESCRIPTION	QTY	SERIAL NO
1	F2-75070		45 ELBOW, 06MP X 06FPS	1	5009-5377
2	F1-69030		90 ELBOW, 06MB X 06FPS	1	5009-
3	HA-06981		LOCKNUT, HEX, 1/4-20	2	5009-5377
	HA-08981		LOCKNUT, HEX, 5/16-18	2	5543-
4	HA-06863		LOCKWASHER, INT TOOTH, 1/4	2	5009-5011
5	2V-9030A		MANIFOLD, BB	1	5009-5346
	2V-9031A		PRESSURE REDUCING VALVE	1	5196-5346
	2V-9035A		MANIFOLD, BB	1	5347-
6	F1-62090		ADAPTER, M37 X 06MB X 06MJ	4	5009-
7	4F-55250		MOUNT PAN	1	5009-
8	HA-13020		SCREW, HEX HD, 7/16-20 X 3	4	5009-
10	4F-55106		SHAFT, PIVOT ARM	1	5009-
11	1Z-01620		GREASE FITTING, 1/4-28 STRAIGHT	2	5009-
12	8T-12530		BUMPER	1	5009-
13	HA-04706		SCREW, FILLISTER HD, 10-32 X 1/2	1	5009-
14	15-81116		ROLL PIN	2,1	5009-
15	HA-14017		SCREW, HEX HD, 1/2-13 X 2-1/4	1	5009-
16	4F-55005		WELDMENT, BB ARM	1	5009-
17	HA-08011		SCREW, HEX HD, 5/16-18 X 1	5	5009-
18	HA-08860		FLATWASHER, 5/16	1,3	5009-
19	8R-0500A		ROLLER	1	5009-
20	HA-08862		LOCKWASHER, 5/16	3	5009-
21	5V-62024		PLATE	1	5009-
22	HA-03867		WASHER, #10	3	5009-
23	HA-03862		LOCKWASHER, #10	3	5009-
24	5V-62020		BRUSH	1	5009-
25	5V-62022		BRUSH RING, LOWER	1	5009-
26	HA-06012		SCREW, SKT HD, 1/4-20 X 1-3/8	3	5009-
27	43-73380		BUSHING, QD	1	5009-
28	5V-0500B		ADAPTER	1	5009-
29	HA-12981		LOCKNUT, HEX, 7/16 X 4	2	5009-
30	4F-55045		MOTOR MTG BRACKET	1	5009-
31	HA-08981		LOCKNUT, 5/16-18	2,3	5009-
32	15-02108		KEY, 1/4 SQUARE X 1-1/4	1	5009-
33	15-62130		PIN, HINGE	2	5009-
34	F2-69010		90 ELBOW, 02MP X 02FPS	2	5009-
35	2X-87600		HYDRAULIC CYLINDER	1	5009-
36	HA-14008		SCREW, HEX HD, 1/2-13 X 1-1/4	1	5009-5377
	HA-14017		SCREW, HEX HD, 1/2-13 X 2-1/4	1	5543-
37	4J-04060		ROD END	1	5009-
	1Z-01510		GEASE FITTING, 8-32 STRAIGHT	2	5009-
38	2M-62060		HYDRAULIC MOTOR	1	5009-
39	F1-62180		ADAPTER, 10MB X 06MJIC	2	5009-

* ZAMBONI *
MODEL 500 PARTS LIST

GROUP 12.010 BOARD BRUSH SERIAL NUMBER 6518-



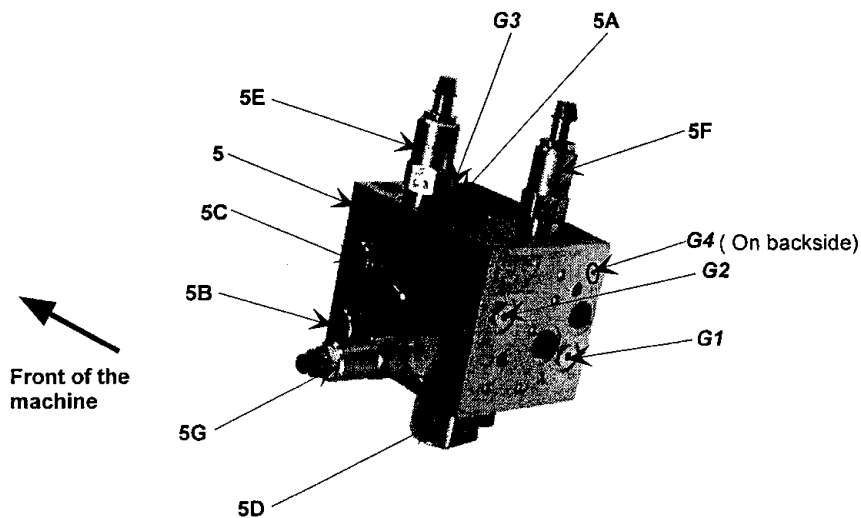
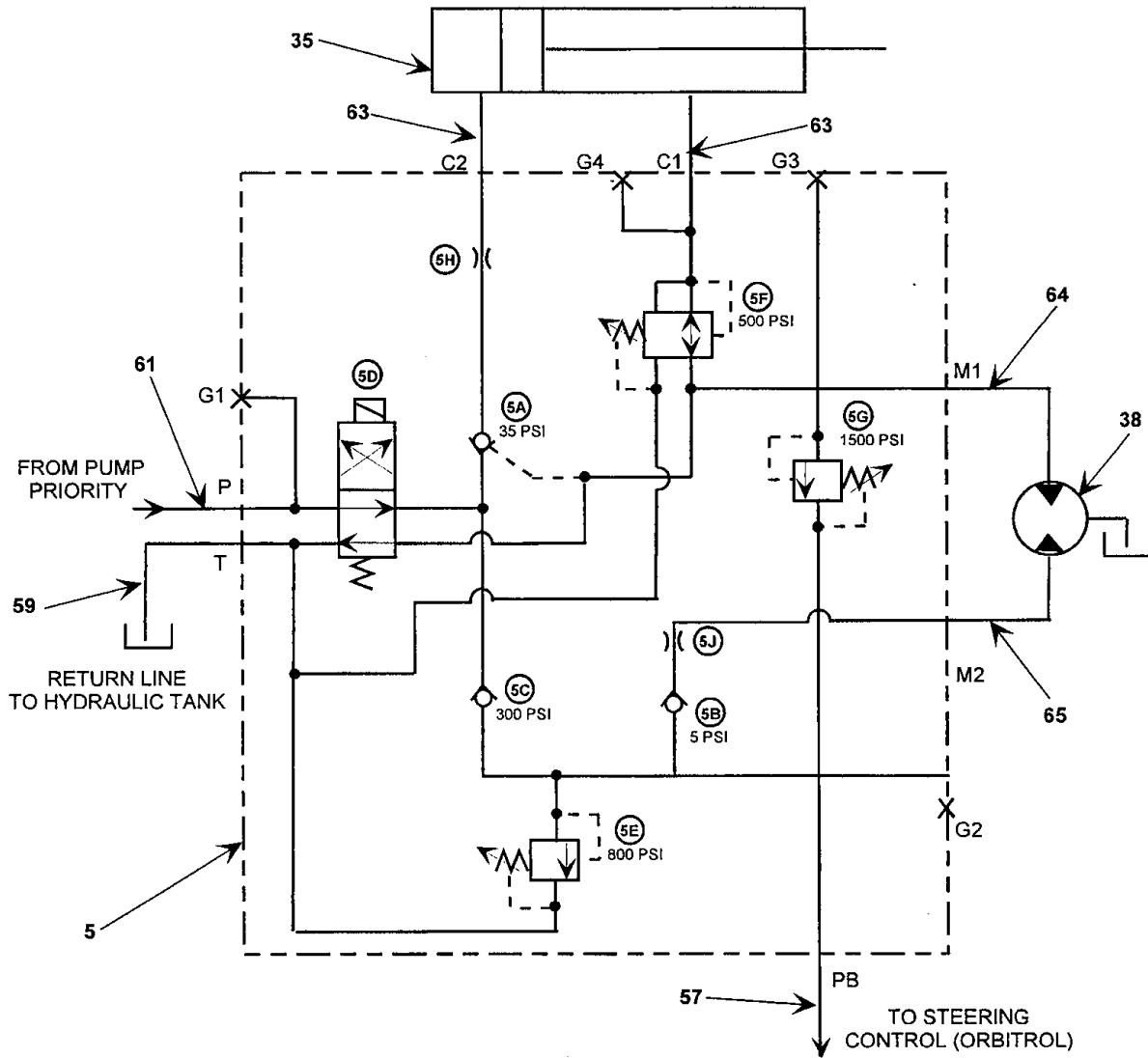
• ZAMBONI •
MODEL 500 PARTS LIST

GROUP 12.010 BOARD BRUSH (CONT'D)

IND	NEW PART NO	OLD P/NO	DESCRIPTION	QTY	SERIAL NO
40	HA-12013		SCREW, HEX HD, 7/16-14 X 1-1/4	2	5009-
41	HA-15018		SCREW, HEX HD, 1/2-20 X 2-1/2	1	5009-
42	4J-04050		ROD END	1	5009-
43	10-19070		BUSHING	2	5009-
44	HA-14861		FLATWASHER, 1/2	2	5009-
45	10-3624H		BUSHING	2	5009-
46	HA-14014		SCREW, HEX HD, 1/2 -13 X 1-1/2	2	5009-
47	HA-14982		NUT, THIN, 1/2-12	3	5009-
48	HA-10017		SCREW, HEX HD, 3/8-16 X 2-1/4	2	5009-
49	HA-13981		LOCKNUT, HEX, 7/16-20	4	5009-
50	HA-06009		SCREW, HEX HD, 1/4-20 X 3/4	1	5009-
51	4F-55143		STOP PLATE	1	5009-
52	HA-06024		SCREW, HEX HD, 1/4-20 X 4	2	5009-5377
	HA-08028		SCREW, HEX HD, 5/16-18 X 5-3/4	2	5543-
53	F1-62070		ADAPTER, 06MB X 04MJIC	2	5009-
54	F2-69080		90 ELBOW, 06FPS X 06MP	1	5009-
55	FL-81550		TEE, 06FP X 06FP X 06FP	1	5009-
56	F2-64080		ADAPTER, 06FPS X 06MP	1	5009-
57	PM-3540B		HOSE, 3/8 X 135, 06MP X 06MP	1	5009-
59	PM-3164C		HOSE, 3/8 X 41, 06FJIC X 06MP	1	5009-
61	PM-3184C		HOSE, 3/8 X 46, 06FJIC X 06MP	1	5009-
63	PM-1072A		HOSE, 1/4 X 18, 02MP X 04FJIC	2	5009-
64	PM-3102B		HOSE, 3/8 X 25, 06FJIC X 06MP	1	5009-
65	PM-3102A		HOSE, 3/8 X 26, 06FJIC X 06MP	1	5009-
66	PM-3436D		HOSE, 3/8 X 112, 06MP X 06MP	1	5009-
68	F1-69050		90 ELBOW, 08MB X 06FS	1	5009-
70	HA-10981		LOCKNUT, 3/8-16	2	5009-
71	HA-15988		NUT, HEX, THIN, 1/2-20	2	5009-
72	FL-62260		ADAPTER, 06MP X 06MP	1	5009-
73	HA-14986		LOCKNUT, 1/2-13	2	5009-
74	15-62140		PIN, ARM	1	6518-
75	HA-08017		SCREW, HEX HD, 5/16-18 X 2-1/4	1	6518-
	HA-08860		WASHER, 5/16	2	6518-
	HA-08981		LOCKNUT, 5/16-18	1	5618-
N/S	7P-77262		ROCKER SWITCH, UNIVERSAL, RED	1	5009-
N/S	3E-0262D		DIODE, POWER SURGE, BB	1	5009-

* ZAMBONI *
MODEL 500 PARTS LIST

GROUP 12.010 BOARD BRUSH SERIAL NUMBER 5009-



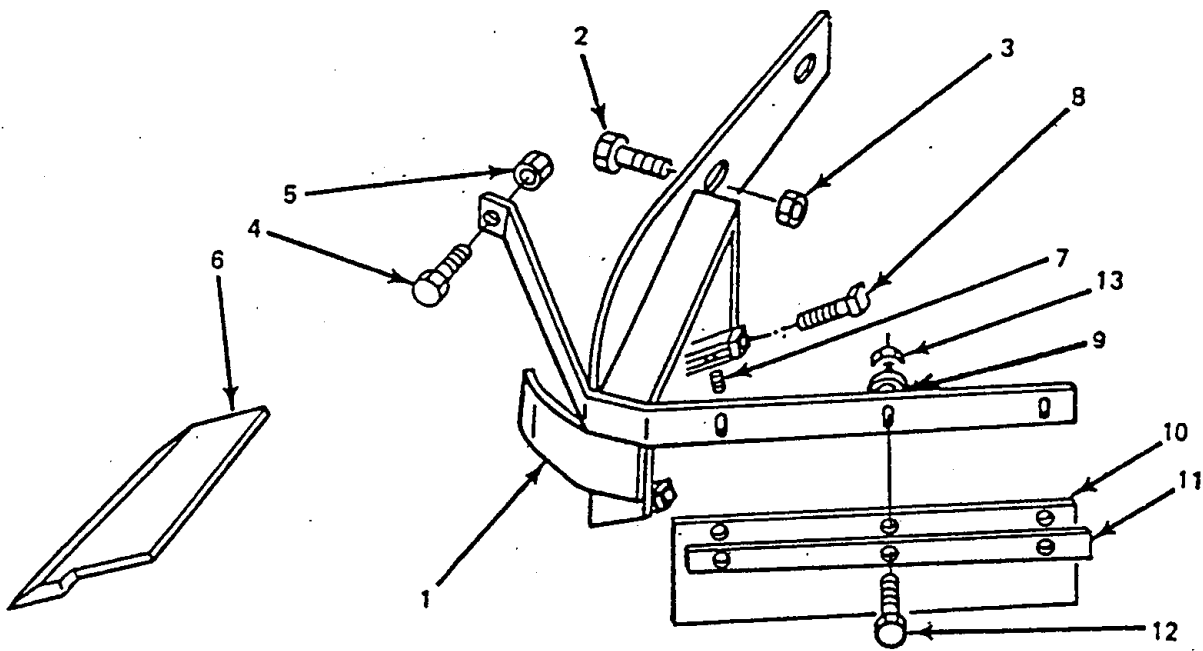
* ZAMBONI *
MODEL 500 PARTS LIST

GROUP 12.010 BOARD BRUSH (CONT'D)

IND	NEW PART NO	OLD P/NO	DESCRIPTION	QTY	SERIAL NO
5	2V-9035A		CONTROL VALVE MANIFOLD BLOCK	1	5009-
5A	2V-9035B		CHECK VALVE 35 PSI, MANIFOLD BLOCK	1	5009-
5B	2V-9035C		CHECK VALVE, 5 PSI, MANIFOLD BLOCK	1	5009-
5C	2V-9035D		CHECK VALVE, 300 PSI, MANIFOLD BLOCK	1	5009-
5D	2V-9035E		SOLENOID VALVE, MANIFOLD BLOCK	1	5009-
	2V-9029C		COIL, SOLENOID VALVE, MANIFOLD BLOCK	1	5009-
5E	2V-9035F		RELIEF VALVE, 800 PSI, MANIFOLD BLOCK	1	5009-
5F	2V-9035H		PRESSURE REDUCING VALVE, MANIFOLD BLOCK	1	5009-
5G	2V-9035G		RELIEF VALVE, 1500 PSI, MANIFOLD BLOCK	1	5009-
5H	2V-9035J		REMOVABLE ORIFICE, MANIFOLD BLOCK	1	5009-
5J	2V-9035K		REMOVABLE ORIFICE, MANIFOLD BLOCK	1	5009-

* ZAMBONI *
MODEL 500 PARTS LIST

GROUP 13.010 EDGER ATTACHMENT



* ZAMBONI *
MODEL 500 PARTS LIST

GROUP 13.010 ZAMBONI EDGER ATTACHMENT

IND	NEW PART NO	OLD P/NO	DESCRIPTION	QTY	SERIAL NO
	KZ-74820	7482	EDGER KIT, INCLUDING ITEMS 1 THRU 13	1	2804-
1	5E-71200	7120	FRAME, EDGER	1	2804-
2	HA-18015	472	SCREW, HEX HD, 5/8-11 X 1-3/4	2	2804-
3	HA-18986	206	NUT, HEX FLEXLOCK, 5/8-11	2	2804-
4	HA-14014	218	SCREW, HEX HD, 1/2-13 X 1-1/2	1	2804-
5	HA-14986	189	NUT, HEX FLEXLOCK, 1/2-13	1	2804-
6	5E-71770	7177	BLADE, EDGER	1	2804-
7	HD-0840F	311	SOCKET SETR SCREW, 5/8-16 X 3/8	2	2804-
8	HD-1451F	238	SET SCREW, SQUARE HD, 1/2-13 X 2-1/2	2	2804-
9	HA-10860	142	FLAT WASHER, 3/8	3	2804-
10	5M-76500	7650	SQUEEGEE, EDGER	1	2804-
11	1M-33780	3378	BAR, SQUEEGEE, RETAINING	1	2804-
12	HA-10014	297	SCREW, HEX HD, 3/8-16 X 1-1/2	3	2804-
13	HA-10981	243	LOCKNUT, HEX, 3/8-16	3	2804-