

PARTS LIST

MODEL
552 **AC**
ELECTRIC



ZAMBONI®

 **Zamboni USA**

Zamboni Company USA, Inc.
15714 Colorado Ave.
Paramount, CA USA 90723-4211
☎ (562) 633-0751 📠 (562) 633-9365

 **Zamboni Canada**

Zamboni Company Ltd.
38 Morton Ave. East, Box 1388
Brantford, ON Canada N3T 5T6
☎ (519) 758-5000 📠 (519) 758-0500

 **Zamboni Europe**

Zamboni Europe AB
Murarmörkret 4
SE-811 74 Österfärnebo Sweden
☎ +46 291 206 80 📠 +46 291 206 83

 **Zamboni Quebec**

Robert Boileau Inc.
1425 Boulevard Pitfield
Saint-Laurent, Quebec, Canada H4S 1G3
☎ (514) 333-8420 📠 (514) 333-7056

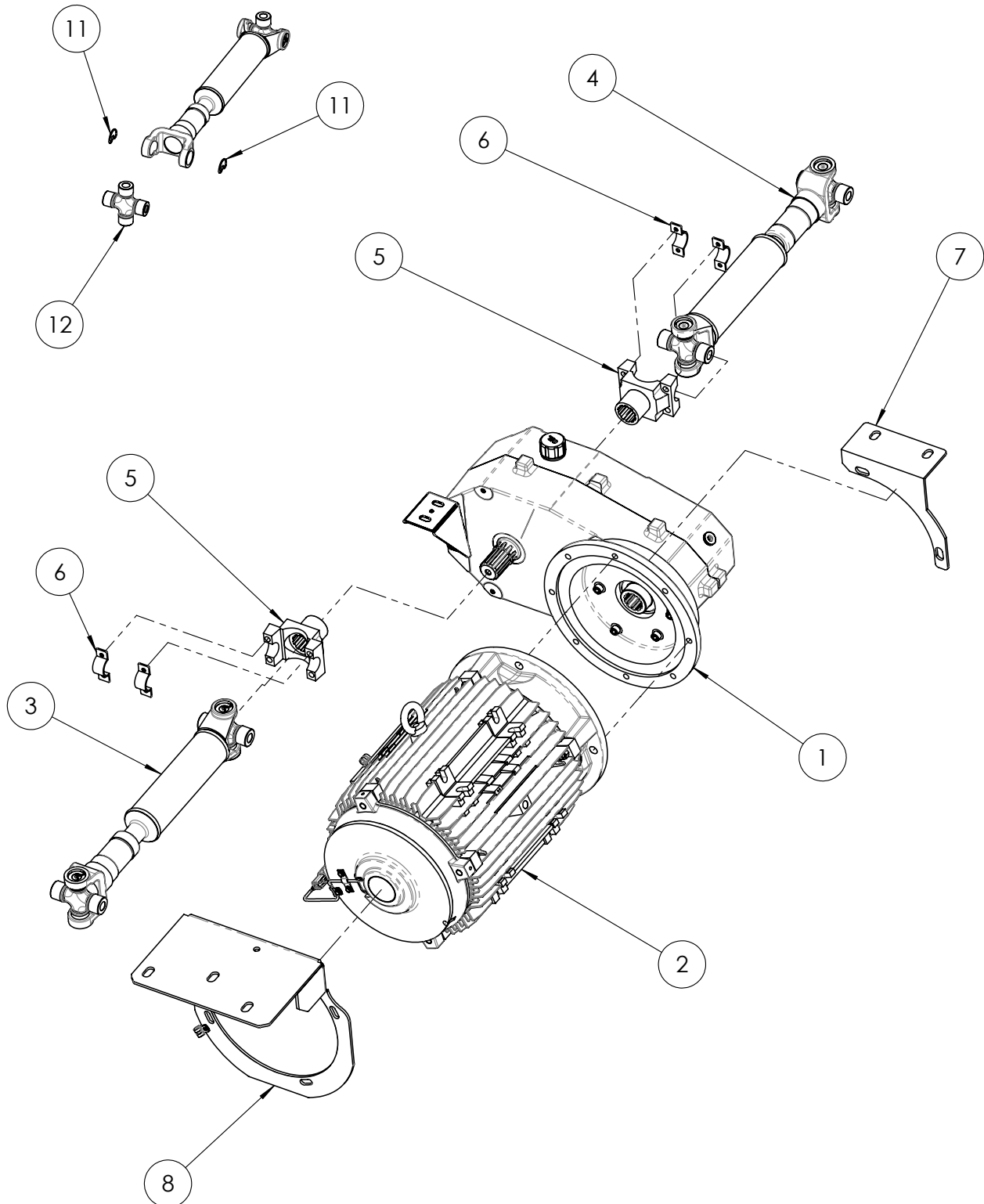
ZAMBONI 552AC
CONSOLIDATED PARTS LIST

Table of Contents

GROUP 1.1 – POWER TRAIN	2
1.2 – AXLES, WHEELS, SUSPENSION	6
1.3 – BRAKE SYSTEM	27
1.4 – STEERING SYSTEM	32
GROUP 2.1 – OPERATOR CONTROLLER INTERFACE GROUP	36
2.2 – ENCLOSURE GROUP	38
2.3 – ELECTRIC CONTROLS	40
2.4 – POWER CABLES	46
2.5 – BATTERY (LEAD ACID)	48
2.5 – BATTERY (LITHIUM-ION)	50
GROUP 3.1 – HYDRAULIC OIL TANK	52
3.2 – HYDRAULIC HOSES AND FITTINGS	58
3.3 – HYDRAULIC CONTROL VALVES AND HAND PUMP	68
3.4 – CONDITIONER MANIFOLD	73
GROUP 4.1 – VERTICAL CONVEYOR, SNOW BREAKER	75
GROUP 5.1 – CONDITIONER (FRAME, BLADE, AND WATER SYSTEM)	78
5.2 – CONDITIONER LIFT	87
GROUP 6.1 – ICE WATER TANK	89
6.2 – PLASTIC WASH WATER TANK W/OUT TRANSFER	91
GROUP 7.1 – SNOW TANK AND CYLINDERS	94
GROUP 8.1 – BODY PANELS, BUMPER	99
GROUP 9.1 – OPTIONS, BOARD BRUSH	103

ZAMBONI 552AC
CONSOLIDATED PARTS LIST

GROUP 1.1 – POWER TRAIN



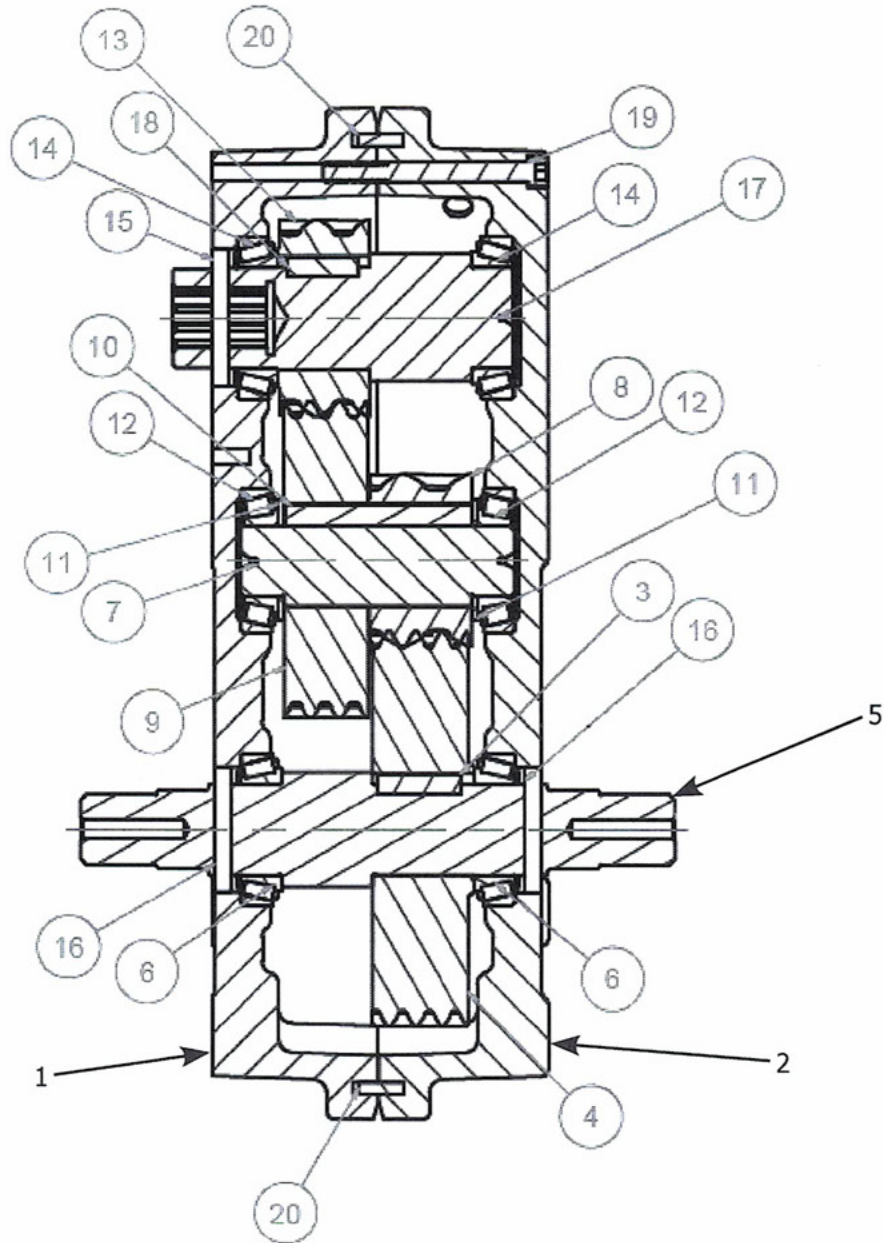
ZAMBONI 552AC
CONSOLIDATED PARTS LIST**1.1 – POWER TRAIN**

IND	PART NO.	DESCRIPTION	QTY	S/N RANGE
1	2J-5565A	GEAR BOX, ODG, 560AC/552AC	1	11429 -
2	2L-55640	MOTOR, ELEC, TRAC, V3, AC MODELS	1	12542 -
	2L-55641	PIN SENSOR SUB-ASS, 2L-55640/55650, V3	1	12542 -
	2L-55620	MOTOR, ELEC, TRAC, V2, AC MODELS	1	11429 - 12275
	2L-55602	SENSOR BEARING, 2L-55600/2L-55610	1	11429 - 12275
	2L-55615	SENSOR ASSY, THRML, PT1000, 2L-55620/630	1	11429 -
	HA-14017	SCREW, HEX HEAD, 1/2-13 X 2-1/4	4	11429 -
	HF-14862	WASHER, S.S. SPLIT, 1/2	4	11429 -
	HF-14980	NUT, S.S. HEX, 1/2-13	4	11429 -
3	1H-16210	DRIVE SHAFT, LONG, 552	1	11429 -
4	1H-16220	DRIVE SHAFT, SHORT, 552	1	11429 -
5	1H-74670	END YOKE, DRIVE SHAFT W/TAPPED HOLE	2	11429 -
6	1H-74695	STRAP ASSY, WITH BOLTS	4	11429 -
7	5T-63160	BRKT, MOTOR MOUNT, REAR, TRACTION, AC	1	11429 -
	HA-14015	SCREW, HEX HEAD, 1/2-13 X 1-3/4	2	11429 -
	HF-14860	WASHER, S.S., FLAT, 1/2	2	11429 -
	HF-14862	WASHER, S.S. SPLIT, 1/2	2	11429 -
	HF-14980	NUT, S.S. HEX, 1/2-13	2	11429 -
8	5T-63155	BRKT, MOTOR MOUNT, TRACTION	1	11429 -
9	27-3000A	CLAMP, RUBBER LINED, 1/4" CABLE CLAMP	2	11429 -
10	5T-06157	BRACKET, DT SERIES, SIDE MOUNT	1	11429 -
11	1F-73060	SNAP RING,CROSS BEARING	1	11429 -
12	1F-73050	CROSS BEARING, DRIVE SHAFT	1	11429 -

ZAMBONI 552AC
CONSOLIDATED PARTS LIST

1.1 – POWER TRAIN

2J-5565A ODG GEAR BOX



ZAMBONI 552AC
CONSOLIDATED PARTS LIST**1.1 – POWER TRAIN**

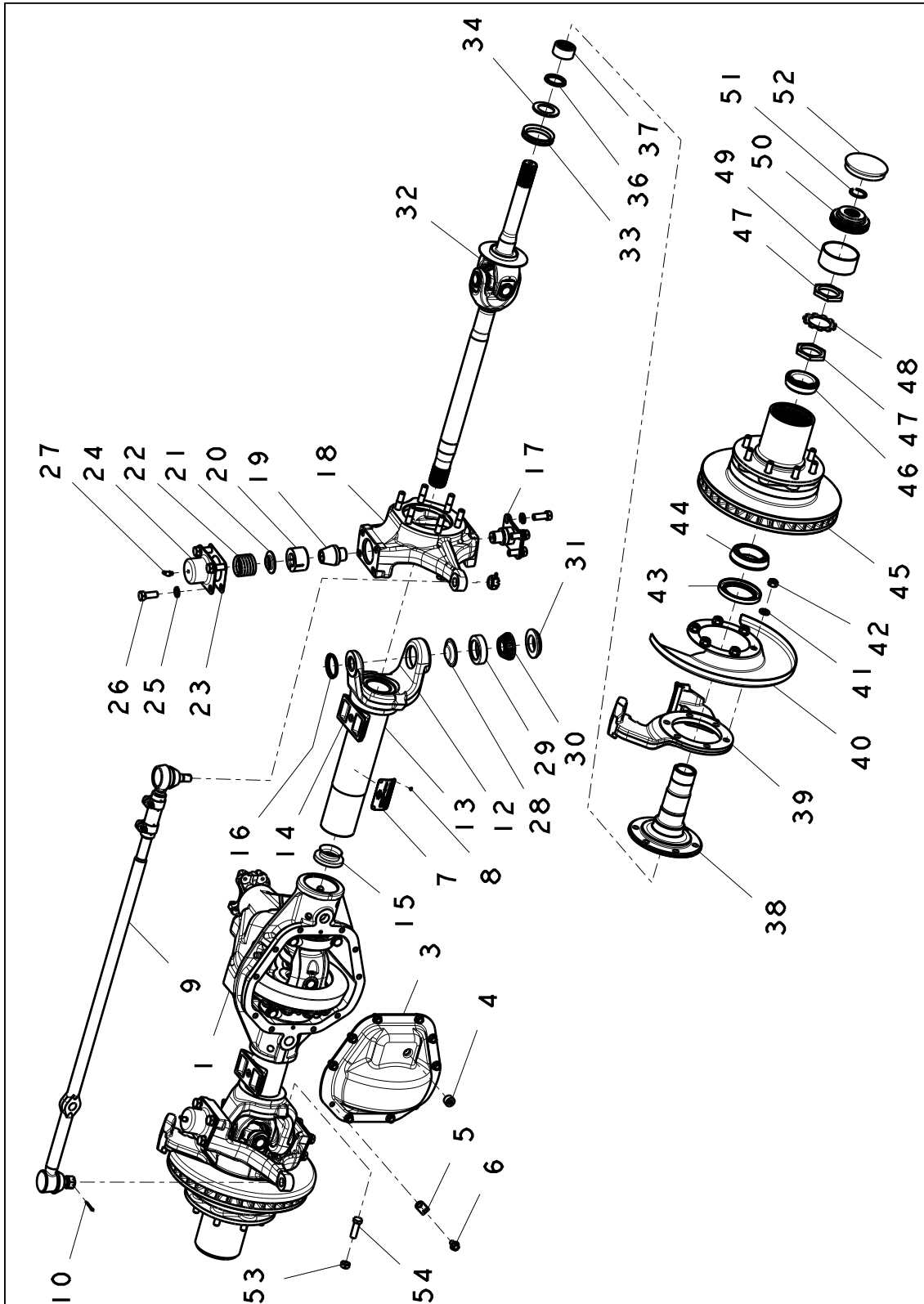
IND	PART NO.	DESCRIPTION	QTY	S/N RANGE
1	2J-5525M	HOUSING, INPUT SIDE	1	11429 -
2	2J-5525N	HOUSING, OUTPUT SIDE	1	11429
N/S	2J-5570B	FLANGE, AC MOTOR	1	11429
N/S	3R-55250	BREATHER	1	11429
3	2J-5525Q	KEY, OUTPUT SHAFT	1	11429
4	2J-5525C	GEAR, OUTPUT, 72T	1	11429
5	2J-5525G	SHAFT, OUTPUT	1	11429
6	2J-5525J	BEARING	2	11429
7	2J-5525V	SHAFT, IDLER	1	11429
8	2J-5525D	GEAR, PINION IDLER #2	1	11429
9	2J-5525E	GEAR, IDLER #1, 58T	1	11429
10	2J-5525R	KEY, IDLER, SHAFT	1	11429
11	2J-5525S	WASHER, THRUST	2	11429
12	2J-5525K	BEARING	2	11429
13	2J-5525F	GEAR, PINION INPUT, 34T	1	11429
14	2J-5525L	BEARING	2	11429
15	2F-5525A	SEAL, INPUT SHAFT	1	11429
16	2F-5525B	SEAL, OUTPUT SHAFT	2	11429
17	2J-5525H	SHAFT, INPUT	1	11429
18	2J-5525T	KEY, INPUT SHAFT	1	11429
19	HA-10124	SOCKET HEAD CAP SCREW, 3/8-16 X 4	11	11429
20	2J-5525U	DOWEL, 1/4 DIA X 7/8 LG	2	11429

GEAR BOX OIL CAPACITY - 5.5. U.S. PINTS, 2.6L 90W

ZAMBONI 552AC
CONSOLIDATED PARTS LIST

1.2 – AXLES, WHEELS, SUSPENSION

FRONT AXLE



ZAMBONI 552AC
CONSOLIDATED PARTS LIST**1.2 – AXLES, WHEELS, SUSPENSION**

IND	PART NO.	DESCRIPTION	QTY	S/N RANGE
1	**	CARRIER ASSY. (SEE PARTS LIST)	1	11429-
2	00-09548	COVER ASSY (INCL. ITEMS 2&3)	1	11429-
3	*	COVER CARRIER - FINISH (INCL. IN 00-09548)	1	11429-
4	**	PLUG - PIPE (INTERNAL DRIVE)	1	11429-
5	NPN	TAG RATIO	1	11429-
6	NPN	SCREW - FLANGE HEAD	10	11429-
7	NPN	PLATE - NAME	1	11429-
8	NPN	PIN - DRIVE	4	11429-
9	**	ASSY. - TIE ROD (SEE PARTS LIST)	1	11429-
10	**	PIN - COTTER	2	11429-
11	NPN	TUBE ASSY. - FRONT - L.H. (INCL. ITEMS 12, 13, 14, & 15)	1	11429-
12	NPN	YOKE - KING PIN (INCL. IN ITEM NO. 11)	1	11429-
13	NPN	TUBE - FRONT - SEMI-FIN (INCL. IN ITEM NO. 11)	1	11429-
14	NPN	SEAT - SPRING FINISH (INCL. IN ITEM NO. 11)	1	11429-
15	2F-93470	SEAL - OIL (INCL. IN ITEM NO. 11)	1	11429-
16	1F-0718A	SEAL - UPPER KING PIN	2	11429-
17	1F-0712A	CAP KING - PIN FIN	2	11429-
18	1F-07606	KNUCKLE ASSY. - STEERING - L.H. (SEE PARTS LIST)	1	11429-
19	1F-0717A	PIN - KING	2	11429-
20	1F-0716A	BUSHING - SYNTHETIC	2	11429-
21	1F-0715A	RETAINER, SPRING	2	11429-
22	1F-0714A	SPRING	2	11429-
23	1F-0713A	GASKET	2	11429-
24	1F-0708A	CAP KING - PIN	2	11429-
25	NPN	LOCKWASHER	16	11429-
26	NPN	BOLT - DRIVE GEAR	16	11429-
27	NPN	ZERK	4	11429-
28	1F-0719A	RETAINER - GREASE	2	11429-
29	*	BEARING CUP - ROLLER (INCL. IN KIT 1F-0721A)	2	11429-
30	*	BEARING CONE - ROLLER (INCL. IN KIT 1F-0721A)	2	11429-
31	1F-0720A	SEAL - OIL	2	11429-
32	1F-07608	SHAFT & JOINT ASSY. - L.H. (SEE PARTS LIST)	1	11429-
33	2F-09010	SEAL - OIL (INCL. IN KIT 1F-07610/1F-07614)	2	11429-
34	**	SPACER - WHEEL BRG. SPINDLE (INCL. IN KIT 1F-07610/1F-07614)	2	11429-
35	1F-07610	SPINDLE ASSY. (INCL. ITEMS 33, 34, & 38)	2	11429-
36	*	SEAL - OIL (INCL. IN KIT 1F-07614)	1	11429-

ZAMBONI 552AC

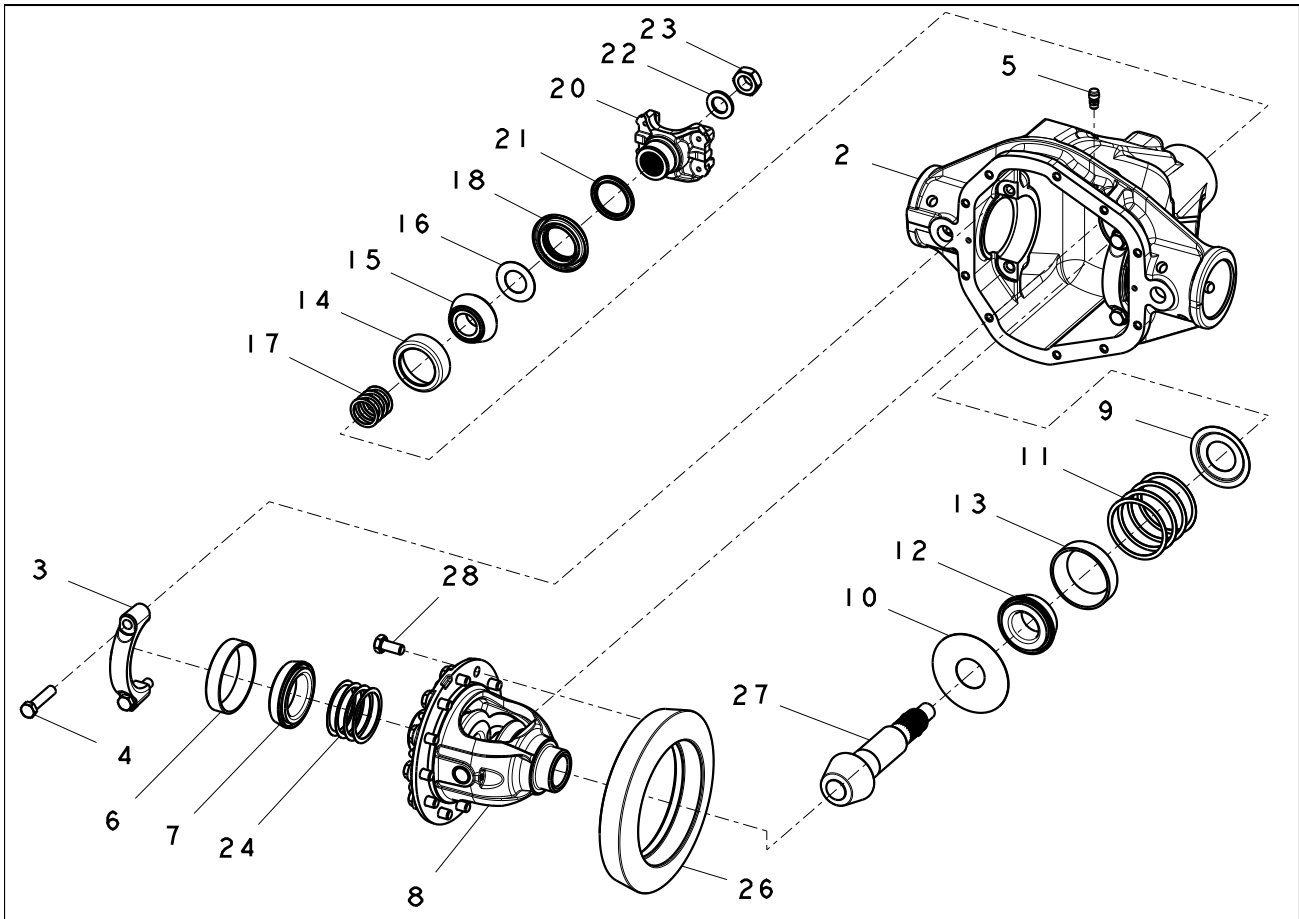
CONSOLIDATED PARTS LIST

1.2 – AXLES, WHEELS, SUSPENSION

IND	PART NO.	DESCRIPTION	QTY	S/N RANGE
37	1F-07617	BEARING ASSY. (W/ RACE) (INCL. IN KIT 1F-07614)	1	11429-
38	*	SPINDLE WHEEL BRG FIN. (INCL. IN KIT 1F-07610)	1	11429-
39	NPN	BRACKET - CALIPER FINISH - L.H.	1	11429-
40	1F-07622	SHIELD - DISC BRAKE SPLASH - L.H., 60F	1	11429-
	1F-07623	SHIELD - DISC BRAKE SPLASH - R.H., 60F	1	11429-
41	NPN	WASHER - PLAIN	12	11429-
42	**	NUT - LOCK	12	11429-
43	2F-09000	SEAL - OIL	2	11429-
44	BO-3387W	BEARING CONE - ROLLER	2	11429-
45	1F-07615	HUB & ROTOR ASSY. (SEE PARTS LIST)	2	11429-
46	BL-6104A	CONE - ROLLER BEARING	2	11429-
47	1F-0733A	NUT - SPINDLE	4	11429-
48	00-09441	LOCKWASHER	2	11429-
49	**	SPACER - DRIVE GEAR	2	11429-
50	1F-07620	GEAR - AXLE SHAFT DRIVE	2	11429-
51	NPN	SNAP - RING	2	11429-
52	1F-07619	CAP - HUB	2	11429-
53	**	NUT HEX	2	11429-
54	**	BOLT - STOP	2	11429-
-	NPN	TUBE ASSY. - FRONT - R.H.	1	11429-
-	1F-07607	KNUCKLE ASSY. - STEERING - R.H.	1	11429-
-	1F-07609	SHAFT & JOINT ASSY. - R.H.	1	11429-
-	NPN	BRACKET - CALIPER FINISH - R.H.	1	11429-
-	NPN	SHIELD - DISC BRAKE SPLASH - R.H.	1	11429-
N/S	1J-0552D	KEY - CALIPER SUPPORT	2	11429-
N/S	1J-0552C	SPRING - CALIPER SUPPORT	2	11429-
N/S	1J-0552E	SCREW - SOCKET HEAD	2	11429-
N/S	1J-05524	CALIPER ASSY. (4152558)	1	11429-
N/S	1J-05525	CALIPER ASSY. (4152557)	1	11429-
N/S	1J-05526	SHOE & LINING ASSY. - DISC BRAKE (4152556)	0	11429-
N/S	1J-05527	SHOE & LINING ASSY. - DISC BRAKE (4152555)	0	11429-
N/S	NPN	CLIP - ANTI-RATTLE (4150515)	2	11429-
N/S	1F-07611	DRIVE GEAR & PINION ASSEMBLY (CONSISTS OF ITEMS 2, 3, 4, 5, 6, 7, 8, 9, 10, 11, 12, 13, 16, 22, 24)	1	11429 -
N/S	1F-07613	DIFFERENTIAL ADJUSTING SHIM KIT (CONSISTS OF ITEMS 5, 7, 12, 13, 16, 22)	1	11429 -
N/S	1F-07614	SPINDLE SEAL AND BEARING KIT (CONSISTS OF ITEMS 55, 56, 57, 58, 60)	1	11429 -

ZAMBONI 552AC
CONSOLIDATED PARTS LIST

1.2 – AXLES, WHEELS, SUSPENSION



ZAMBONI 552AC
CONSOLIDATED PARTS LIST**1.2 – AXLES, WHEELS, SUSPENSION**

IND	PART NO.	DESCRIPTION	QTY	S/N RANGE
2	**	CARRIER HOUSING	1	11429-
3	**	DIFFERENTIAL BEARING CAPS	1	11429-
4	**	DIFFERENTIAL CAP BOLTS	2	11429-
5	**	VENT	1	11429-
6	B0-5028M	BEARING CUP - ROLLER	2	11429-
7	B0-5028A	BEARING CONE - ROLLER	2	11429-
8	*	CASE ASSY. - DIFF. STD. (SEE DETAIL PARTS LIST)	1	11429-
9	1F-7292C	BAFFLE - PINION OIL	1	11429-
10	1F-7292B	SLINGER SEAL - PINION OIL (INNER)	1	11429-
11	1F-7292A	SHIM - ADJ. (KIT: INCLUDES 3 SHIMS)	1	11429-
12	BH-6803M	BEARING CONE - HM803146	1	11429-
13	BH-6803A	BEARING CUP - HM803110	1	11429-
14	BH-5885M	BEARING CUP - HM88510	1	11429-
15	BH-5885A	BEARING CONE - HM88542	1	11429-
16	1F-7292B	THRUSTWASHER SLINGER SEAL - BRG	1	11429-
17	1F-7292A	SHIM KIT, AXLE 60	1	11429-
18	2F-3051A	SEAL - OIL	1	11429-
20	1F-95525	END YOKE	1	11429-
21	*	DEFLECTOR - PINION SEAL	1	11429-
22	*	WASHER - PINION NUT	1	11429-
N/S	1H-74625	STRAP ASSY, 2 STRAPS + 4 BOLTS & WASHERS	1	11429-
23	*	NUT - PINION	1	11429-
24	*	SHIM - ADJUSTING	1	11429-
26-27	1F-07611	GEAR & PINION ASSY - HYPOID DRIVE	1	11429-
28	1F-07624	SCREW - DRIVE GEAR	12	11429-

* = PART NOT SERVICED INDIVIDUALLY

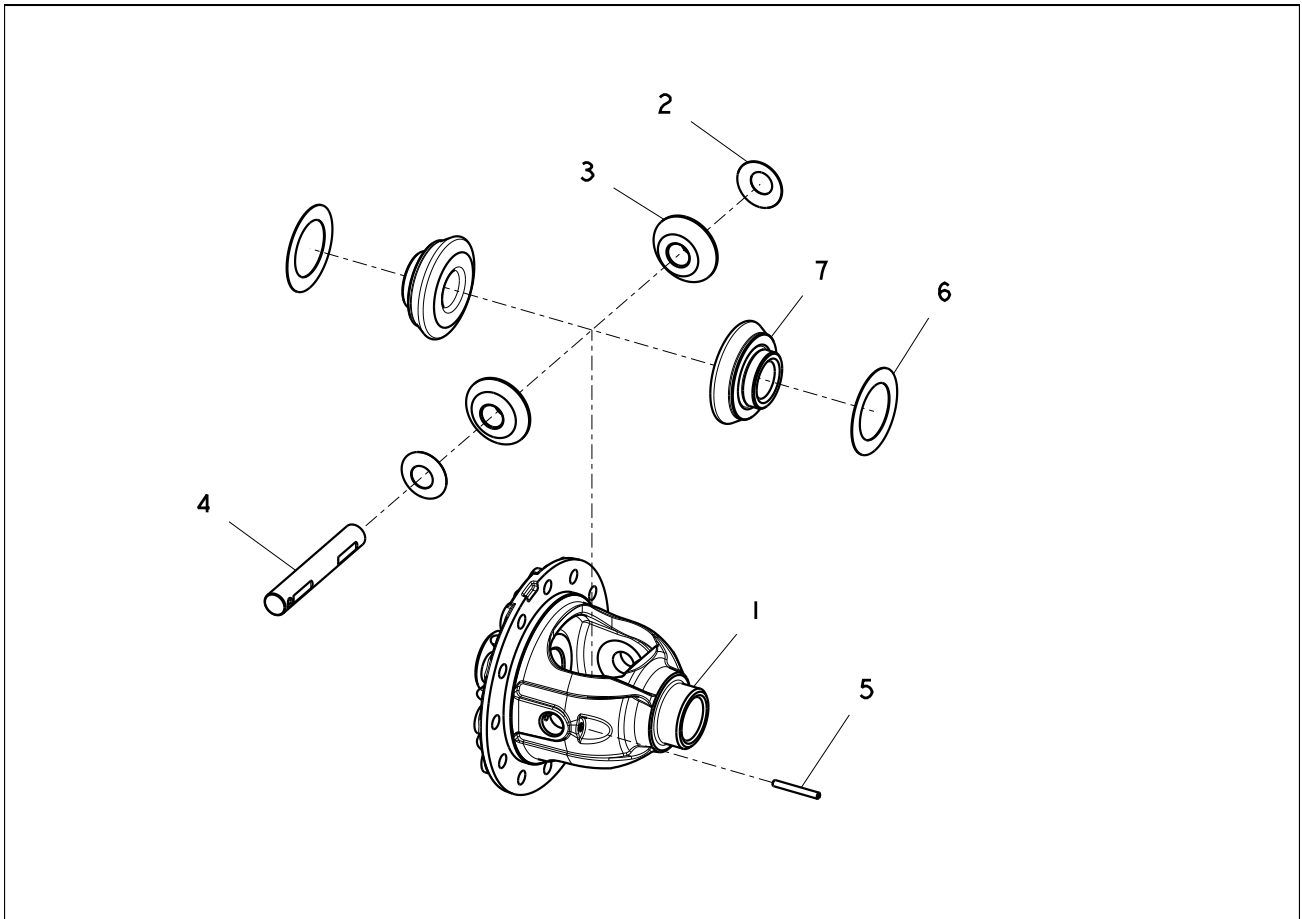
** = CONSULT ZAMBONI FACTORY

NPN = NO PART NUMBER

N/S = NOT SHOWN

ZAMBONI 552AC
CONSOLIDATED PARTS LIST

1.2 – AXLES, WHEELS, SUSPENSION

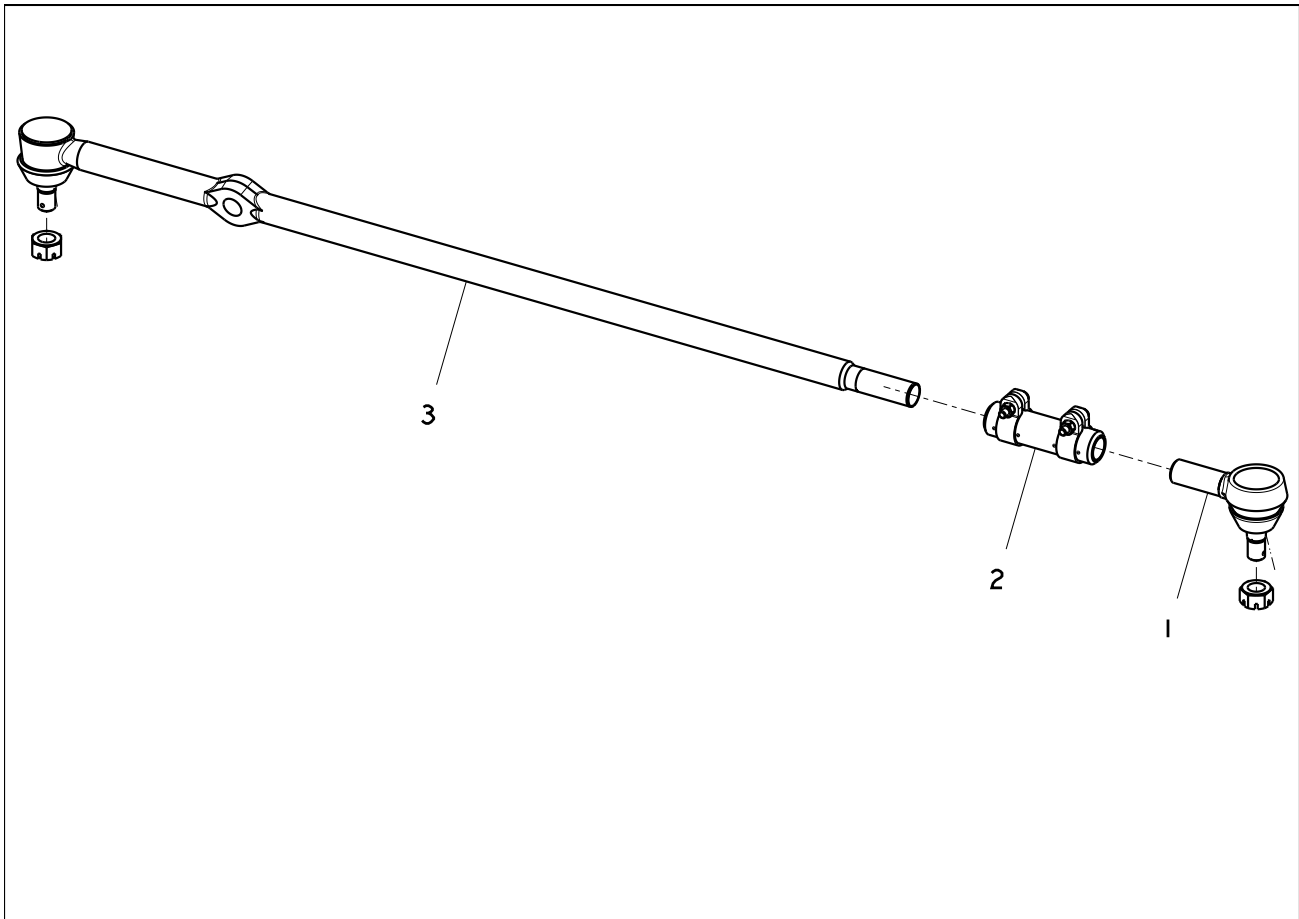


ZAMBONI 552AC
CONSOLIDATED PARTS LIST**1.2 – AXLES, WHEELS, SUSPENSION**

IND	PART NO.	DESCRIPTION	QTY	S/N RANGE
1 - 7	1F-07612	KIT, DIFFERENTIAL CASE ASSY M60F552 ; ALSO INCLUDES B0-5028A/M AND 1F-07624	1	11429-

ZAMBONI 552AC
CONSOLIDATED PARTS LIST

1.2 – AXLES, WHEELS, SUSPENSION



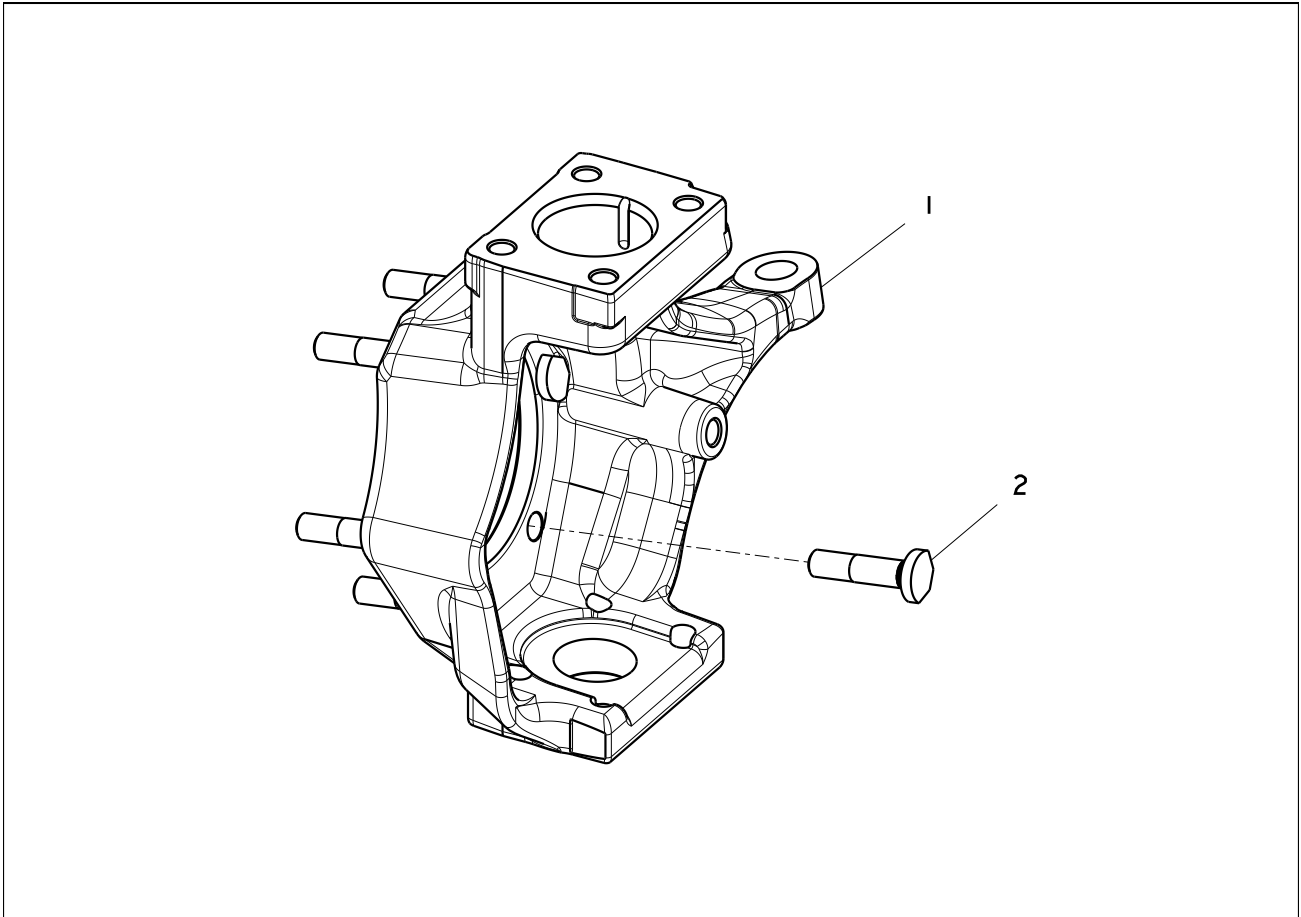
ZAMBONI 552AC
CONSOLIDATED PARTS LIST

1.2 – AXLES, WHEELS, SUSPENSION

IND	PART NO.	DESCRIPTION	QTY	S/N RANGE
1 - 3	4D-18971	TIE-ROD ASSEMBLY	1	11429-

ZAMBONI 552AC
CONSOLIDATED PARTS LIST

1.2 – AXLES, WHEELS, SUSPENSION



ZAMBONI 552AC
CONSOLIDATED PARTS LIST**1.2 – AXLES, WHEELS, SUSPENSION**

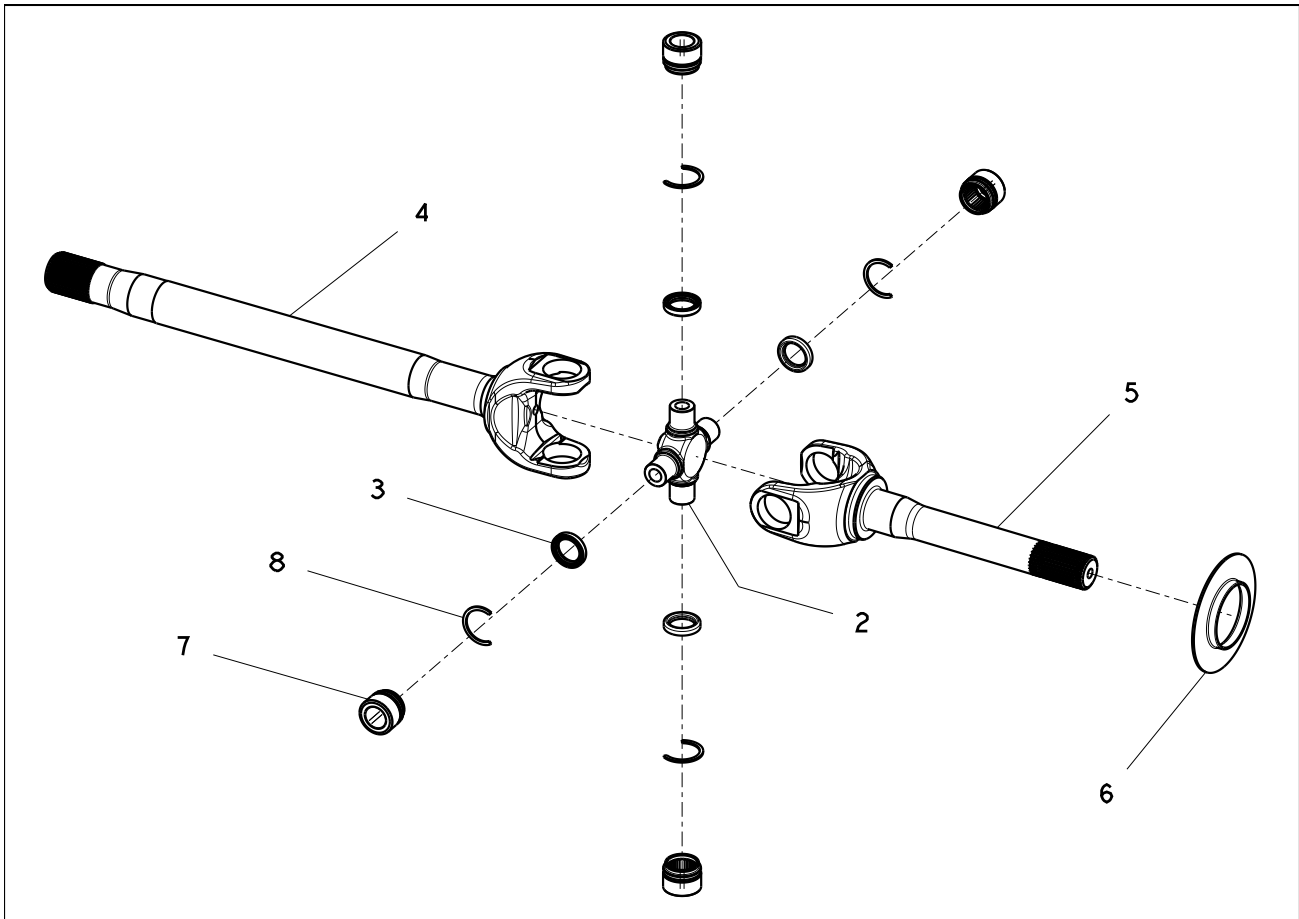
IND	PART NO.	DESCRIPTION	QTY	S/N RANGE
1	1F-07606	KNUCKLE - STEERING L.H.	1	11429-
2	**	BOLT - BUTTON HEAD	6	11429-
N/S	1F-07607	KNUCKLE - STEERING R.H.	1	11429-
N/S	**	BOLT - BUTTON HEAD	6	11429-

** = CONSULT ZAMBONI FACTORY

N/S = NOT SHOWN

ZAMBONI 552AC
CONSOLIDATED PARTS LIST

1.2 – AXLES, WHEELS, SUSPENSION



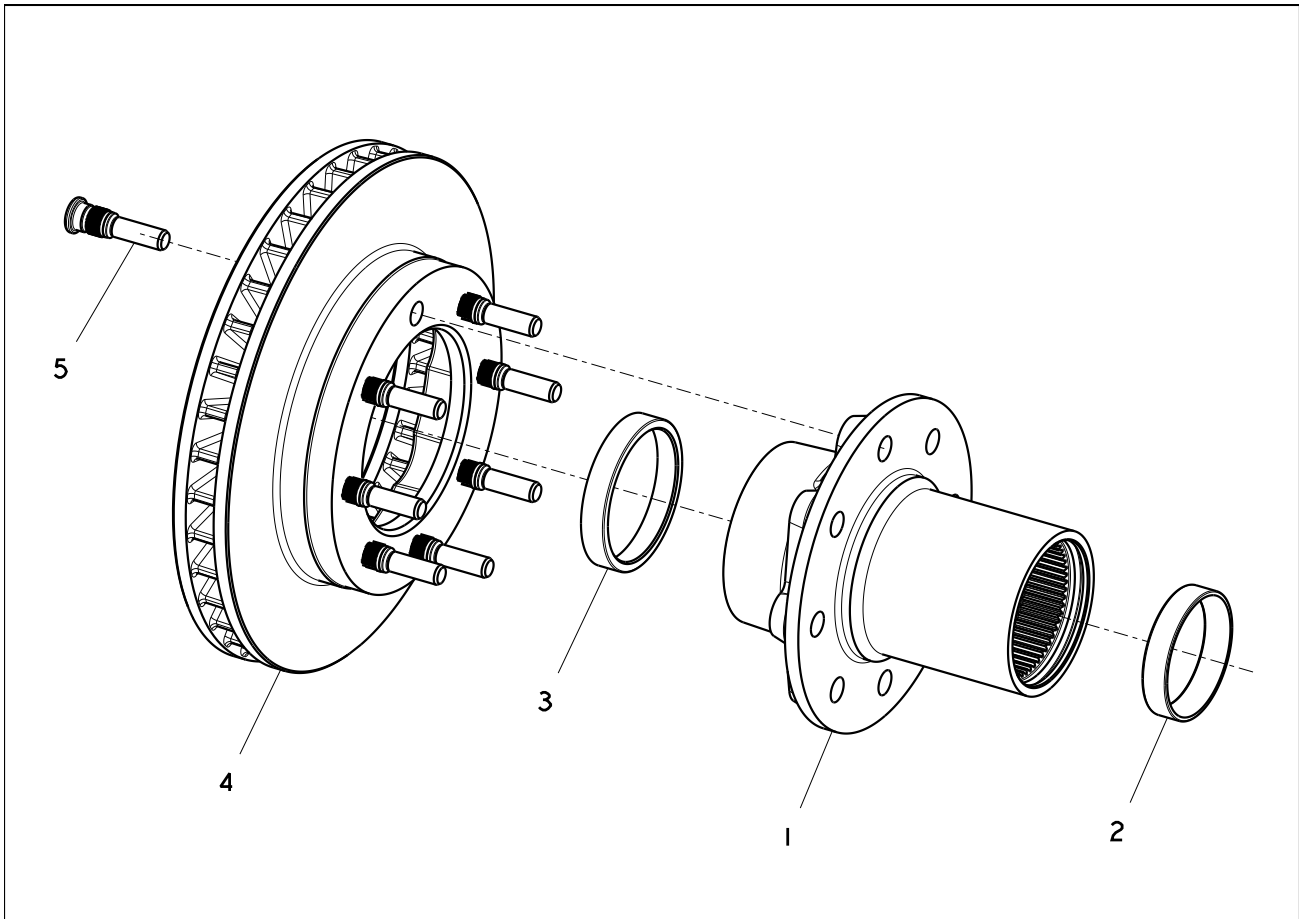
ZAMBONI 552AC
CONSOLIDATED PARTS LIST**1.2 – AXLES, WHEELS, SUSPENSION**

IND	PART NO.	DESCRIPTION	QTY	S/N RANGE
2, 3, 7, 8	1F-0760A	CROSS SHAFT ASSY.	1	11429-
4, 5, 6	1F-07608	SHAFT SUB-ASSY. FRICTION WELDED - LONG SIDE (LEFT)	1	11429-
N/S	1F-07609	SHAFT SUB-ASSY. FRICTION WELDED - SHORT SIDE (RIGHT)	1	11429-

N/S = NOT SHOWN

ZAMBONI 552AC
CONSOLIDATED PARTS LIST

1.2 – AXLES, WHEELS, SUSPENSION



ZAMBONI 552AC
CONSOLIDATED PARTS LIST**1.2 – AXLES, WHEELS, SUSPENSION**

IND	PART NO.	DESCRIPTION	QTY	S/N RANGE
1, 4, 5	1F-07615	HUB & ROTOR ASSY., MODEL 60 FRONT AXLE, INCLUDES: QTY (1) OF 1J-5526A, QTY (8) OF 1F-6000C	1	11429-
2	BL-6104N	BEARING CUP, RACE, INCL. IN SET WITH BL-6104A (ZPN: BL-6104W)	1	11429-
	BL-6104A	BEARING CONE, ROLLER BEARING, SET WITH BL-6104N (ZPN: BL-6104W)	1	11429-
3	B0-3382N	BEARING CUP, RACE	1	11429-
	B0-3387A	BEARING, CONE, ROLLER BEARING	1	11429-
4	1J-5526A	ROTOR, DISC BRAKE, MODEL 60 FRONT AXLE	1	11429-
5	1F-6000C	BOLT - WHEEL	8	11429-
N/S	1J-05530	BRAKE PAD SET, MODEL 60 FRONT	1	11429-

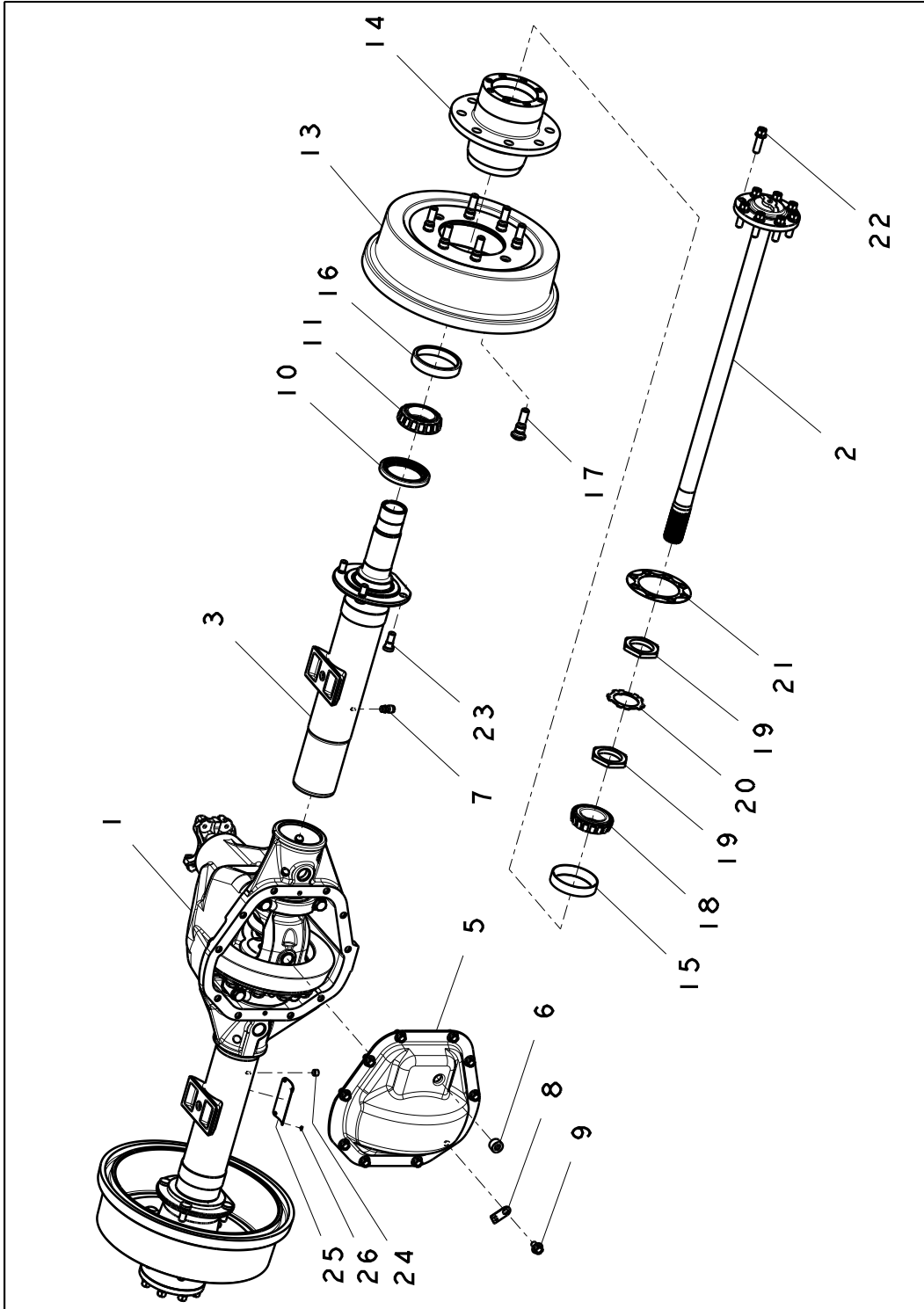
N/S = NOT SHOWN

NOTE: ALL QUANTITIES LISTED ARE FOR
ONE SIDE OF AXLE, FULL AXLE WILL
REQUIRE 2 OF EACH ITEM.

ZAMBONI 552AC
CONSOLIDATED PARTS LIST

1.2 – AXLES, WHEELS, SUSPENSION

REAR AXLE



ZAMBONI 552AC
CONSOLIDATED PARTS LIST**1.2 – AXLES, WHEELS, SUSPENSION**

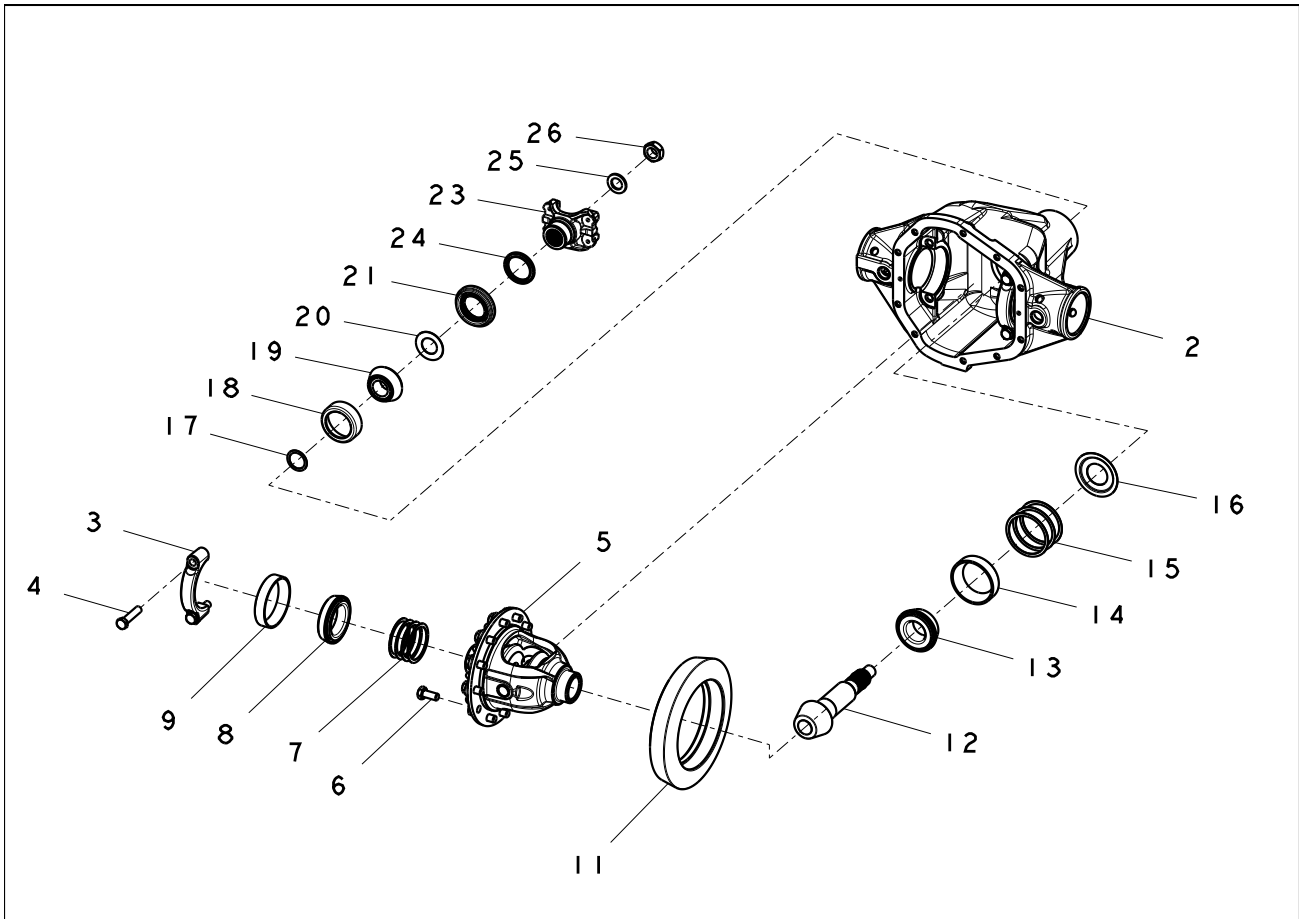
IND	PART NO.	DESCRIPTION	QTY	S/N RANGE
1	1E-16660	MODEL 60 SERIES REAR AXLE ASSEMBLY	1	11429-
2	00-09342	SHAFT - FLANGED DRIVE FINISHED	2	11429-
3	NPN	TUBE ASSY - REAR FINISHED W/O SEAL	2	11429-
4	NPN	COVER ASSY (INCL. ITEMS 5 & 6)	1	11429-
5	00-09548	COVER CARRIER - FINISH	1	11429-
6	NPN	PLUG - PIPE (INTERNAL DRIVE)	1	11429-
7	1F-72916	VENT PLUG, 1/8" NPT AXLE HOUSING VENT	1	11429-
8	NPN	TAG RATIO	1	11429-
9	NPN	SCREW - FLANGE HEAD, CARRIER COVER	10	11429-
10	2F-4258A	SEAL - OIL	2	11429-
11	B0-3370A	BEARING - TAPERED ROLLER CONE 370 A	2	11429-
12	1F-00200	HUB & DRUM ASSY (INCL. 13, 14, 15, 16, & 17)	2	11429-
13	NPN	DRUM - BRAKE FINISHED (INCL. IN KIT 1F-00200)	1	11429-
14	NPN	HUB - WHEEL FINISH (INCL. IN KIT 1F-00200)	1	11429-
15	B0-3354M	CUP - TAPERED BEARING (INCL. IN KIT 1F-00200)	1	11429-
16	B0-3362M	CUP - TAPERED BEARING (INCL. IN KIT 1F-00200)	1	11429-
17	1F-6000A	BOLT - WHEEL, R.H. (INCL. IN KIT 1F-00200)	8	11429-
18	B0-3359A	BEARING - TAPERED ROLLER CONE 359S	2	11429-
19	00-09442	WHEEL BEARING NUT	4	11429-
20	00-09445	WHEEL BEARING NUT - LOCKWASHER	2	11429-
21	NPN	GASKET - OIL SEAL	2	11429-
22	NPN	SCREW - FLANGE HEAD	16	11429-
23	NPN	BOLT - BRAKE DISC	8	11429-
24	NPN	OIL PLUG	1	11429-
25	NPN	PLATE NAME	1	11429-
26	NPN	PIN - DRIVE	4	11429-
27	1J-0552A	BRAKE - LH (NOT SHOWN)	1	11429-
28	1J-0552B	BRAKE - RH (NOT SHOWN)	1	11429-
29	33-0107A	PARKING BRAKE CABLE ASSEMBLY (NOT SHOWN)	1	11429-

NPN = NO PART NUMBER

N/S = NOT SHOWN

ZAMBONI 552AC
CONSOLIDATED PARTS LIST

1.2 – AXLES, WHEELS, SUSPENSION



ZAMBONI 552AC
CONSOLIDATED PARTS LIST**1.2 – AXLES, WHEELS, SUSPENSION**

IND	PART NO.	DESCRIPTION	QTY	S/N RANGE
1	NPN	CARRIER SUB-ASSY (INCL. ITEMS 2,3, & 4)	1	11429-
2	NPN	CARRIER - FINISH	1	11429-
3 - 9	00-09492	CARRIER ASSEMBLY KIT	1	11429-
10 -12	00-09493	GEAR & PINION ASSY (INCL. ITEMS 11 & 12)	1	11429-
13	BH-6803M	BEARING CONE	1	11429-
14	BH-6803A	BEARING CUP	1	11429-
15	00-09480	SHIM-ADJUSTING	1	11429-
16	NPN	BAFFLE - PINION OIL	1	11429-
17	NPN	SHIM	1	11429-
18	BH-5885M	BEARING -CUP	1	11429-
19	BH-5885A	BEARING CONE	1	11429-
20	NPN	THRUSTWASHER - BRG	1	11429-
21	2F-3051A	SEAL - OIL	1	11429-
22	1F-95525	END YOKE ASSY (INCL. ITEMS 23 & 24)	1	11429-
23	*	END YOKE (INCL. IN 1F-95525)	1	11429-
24	*	DEFLECTOR - PINION SEAL (INCL. IN 1F-95525)	1	11429-
N/S	1H-74695	2 STRAPS + 4 BOLTS AND WASHERS	1	11429-
25	NPN	WASHER - PINION NUT	1	11429-
26	NPN	NUT - PINION	1	11429-

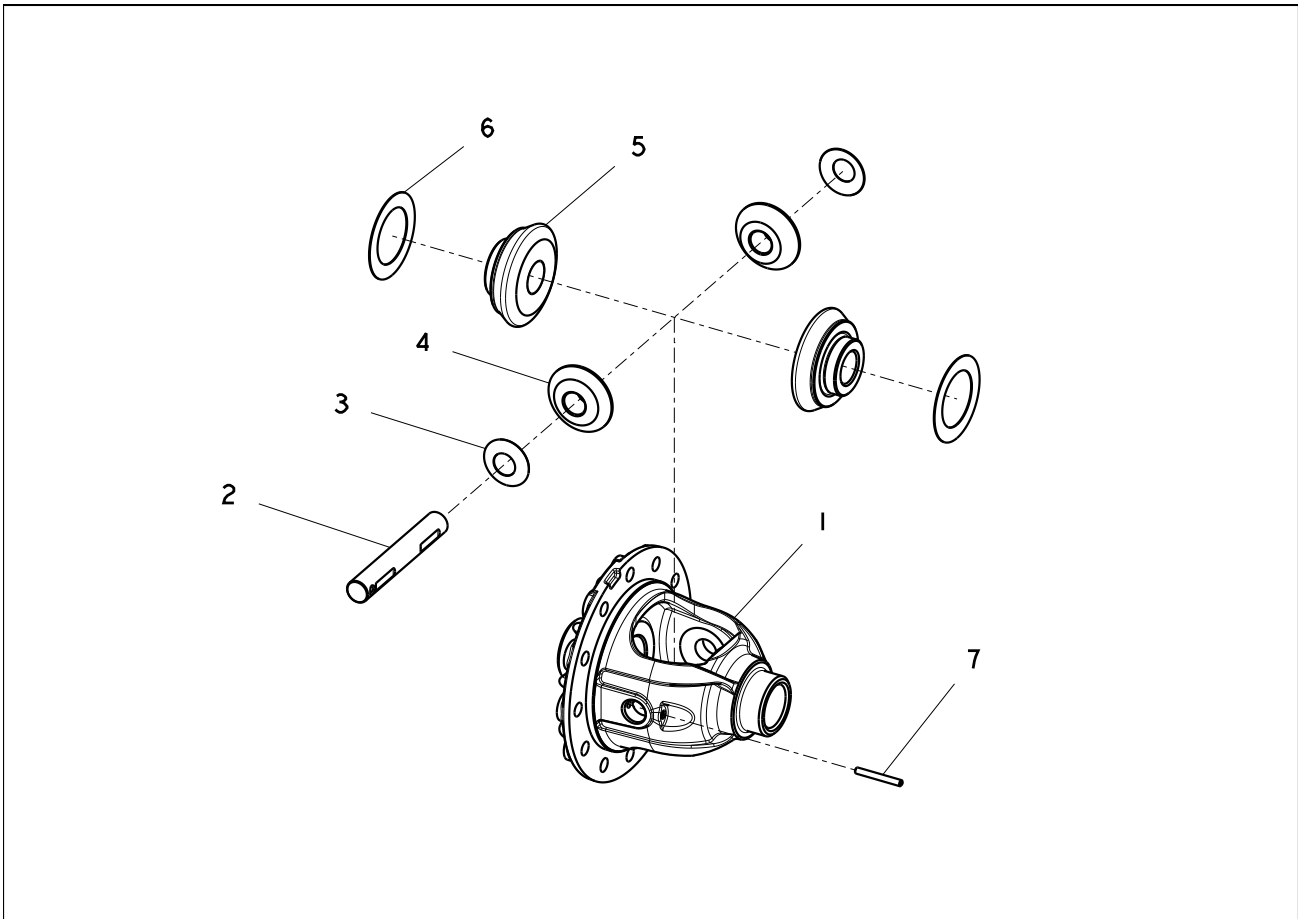
* = PART NOT SERVICED INDIVIDUALLY

NPN = NO PART NUMBER

N/S = NOT SHOWN

ZAMBONI 552AC
CONSOLIDATED PARTS LIST

1.2 – AXLES, WHEELS, SUSPENSION



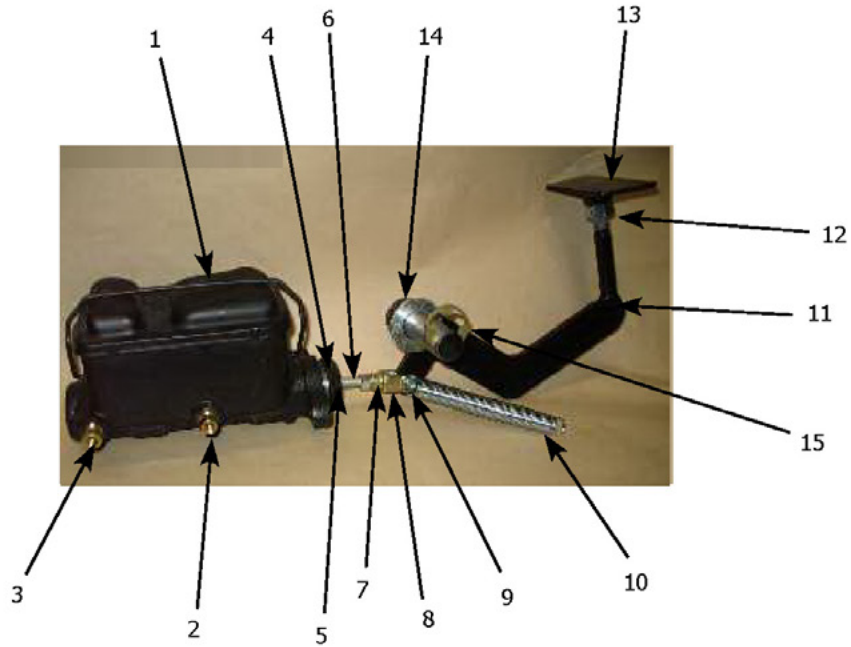
ZAMBONI 552AC
CONSOLIDATED PARTS LIST**1.2 – AXLES, WHEELS, SUSPENSION**

IND	PART NO.	DESCRIPTION	QTY	S/N RANGE
1	00-09492	PART INCLUDED IN KIT 00-09492 - CARRIER ASSEMBLY	1	11429-
2-7	00-09557	KIT, INNER DIFFERENTIAL PARTS, MODEL 60	1	11429-

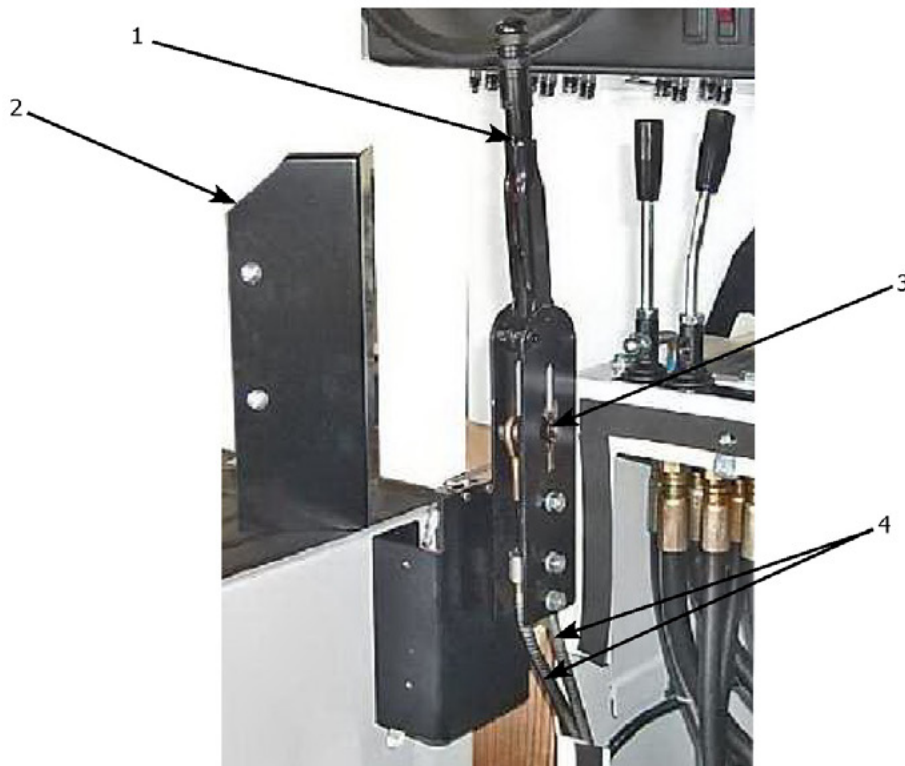
ZAMBONI 552AC
CONSOLIDATED PARTS LIST

1.3 – BRAKE SYSTEM

BRAKE MASTER CYLINDER AND BRAKE PEDAL ARM



PARKING BRAKE



ZAMBONI 552AC
CONSOLIDATED PARTS LIST**1.3 – BRAKE SYSTEM**

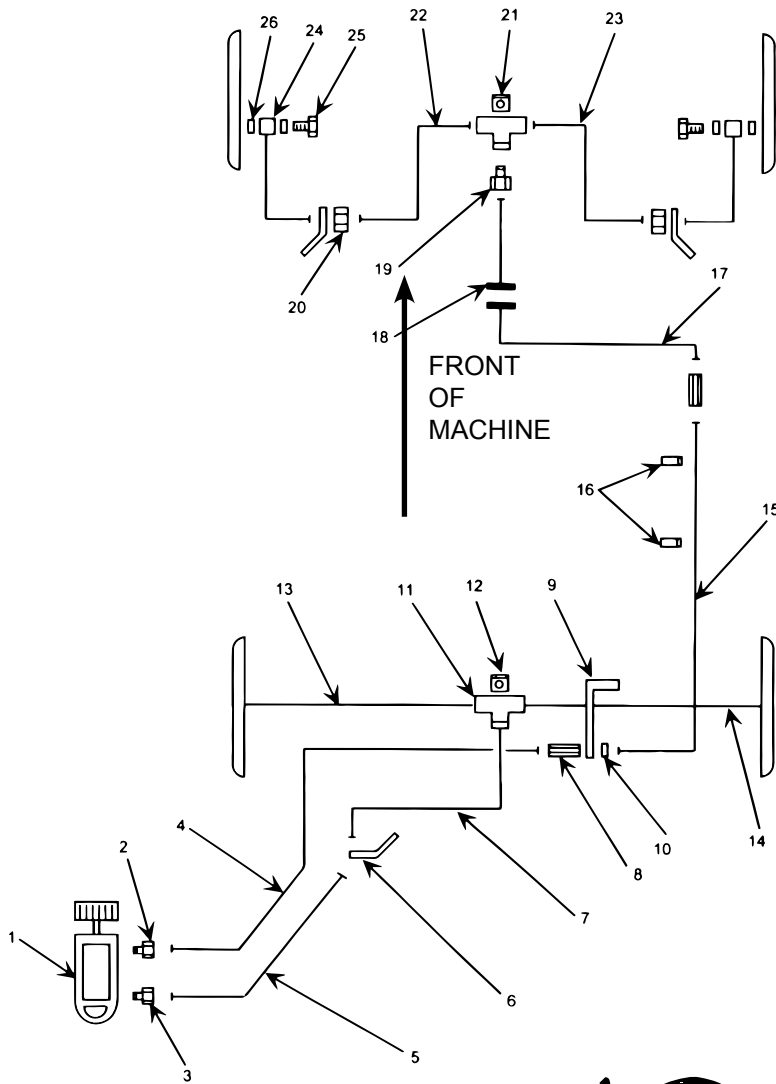
IND	PART NO.	DESCRIPTION	QTY	S/N RANGE
<u>BRAKE MASTER CYLINDER</u>				
1	4M-31576	MASTER CYLINDER ONLY	1	11429 -
2	4M-40404	BRAKE LINE ADAPTER	1	11429 -
3	4M-40406	BRAKE LINE ADAPTER	1	11429 -
4	4M-3157C	RUBBER BOOT	1	11429 -
5	HA-10014	SCREW, HEX HD, 3/8-16 X 1-1/2	2	11429 -
	HA-10860	WASHER, FLAT, 3/8	2	11429 -
	HA-10862	LOCKWASHER, 3/8	2	11429 -
	HA-10980	NUT, HEX. 3/8-16	2	11429 -
6	4M-31577	ROD, MASTER CYLINDER	1	11429 -
7	HA-11980	NUT, HEX, 3/8-24	1	11429 -
8	36-01560	CLEVIS YOKE, 3/8-24	1	11429 -
9	HA-63312	CLEVIS PIN	1	11429 -
10	1L-0520A	BRAKE RETURN SPRING	1	11429-
11	4F-34225	BRAKE PEDAL ARM	1	11429 -
12	4M-4048A	PEDAL, BRAKE	1	11429 -
13	4M-4049A	BRAKE PEDAL COVER	1	11429 -
14	HA-30861	WASHER, FLAT, 1	2	11429 -
15	HA-7064A	E-RING, EXTERNAL, 1	1	11429 -
<u>PARKING BRAKE</u>				
1	4M-0700A	LEVER ASSY, HAND BRAKE	1	11429 -
2	46-39772	COVER, PARKING BRAKE LEVER	1	11429 -
3	4M-0710A	SWITCH PIN, PARKING BRAKE	1	11429 -
4	33-0107A	PARKING BRAKE CABLE	2	11429 -

ZAMBONI 552AC

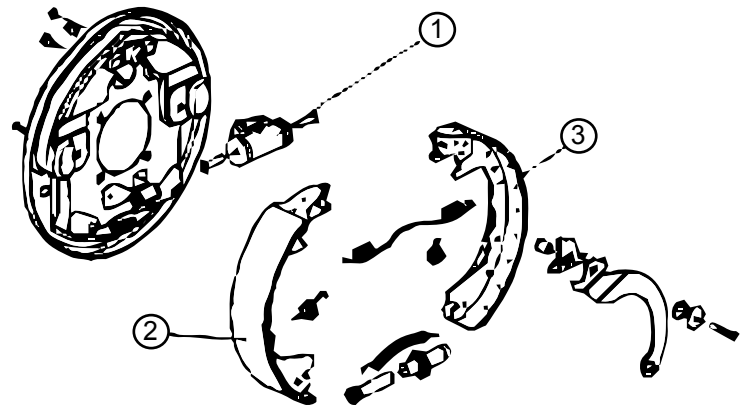
CONSOLIDATED PARTS LIST

1.3 – BRAKE SYSTEM

BRAKE SYSTEM SCHEMATIC



REAR BRAKES



ZAMBONI 552AC
CONSOLIDATED PARTS LIST**1.3 – BRAKE SYSTEM**

IND	PART NO.	DESCRIPTION	QTY	S/N RANGE
<u>BRAKE SCHEMATIC SYSTEM</u>				
1	4M-31576	MASTER CYLINDER ONLY	1	11429 -
2	4M-40404	BRAKE LINE ADAPTER	1	11429 -
3	4M-40406	BRAKE LINE ADAPTER	1	11429 -
4	4P-34000	BRAKE LINE TUBE ASSY	1	11429 -
5	4P-34000	BRAKE LINE TUBE ASSY	1	11429 -
6	4R-40370	BRAKE CLIP	3	11429 -
7	4M-17580	BRAKE HOSE ASSY	1	11429 -
8	4M-40405	BRAKE COUPLING	2	11429 -
9	5T-73690	BRACKET	1	11429 -
10	3C-05254	GROMMET	1	11429-
11	4M-40400	TEE, BRAKE LINE, 3/16	2	11429 -
12	5T-73680	BRACKET	1	11429 -
13	4P-32000	BRAKE LINE TUBE ASSY	1	11429 -
14	4P-32000	BRAKE LINE TUBE ASSY	1	11429 -
15	4P-35100	BRAKE LINE TUBE ASSY	1	11429 -
16	27-3000A	CLAMP	2	11429 -
17	4P-34000	BRAKE LINE TUBE ASSY	1	11429 -
18	4X-41180	GROMMET	2	11429 -
19	4M-40401	BRAKE LINE ADAPTER	1	11429 -
20	HA-19982	NUT, HEX 5/8-18	2	11429 -
21	5T-73685	BRACKET	1	11429 -
22	4P-32000	BRAKE LINE TUBE ASSY	1	11429 -
23	4P-32000	BRAKE LINE TUBE ASSY	1	11429 -
24	4M-17593	BRAKE HOSE ASSY	2	11429 -
25	4M-17592	BANJO BOLT, DISC BRAKE	2	11429 -
26	4M-17592	WASHER, BANJO BOLT	2	11429 -

ZAMBONI 552AC
CONSOLIDATED PARTS LIST**1.3 – BRAKE SYSTEM**

IND	PART NO.	DESCRIPTION	QTY	S/N RANGE
<u>FRONT BRAKES</u>				
N/S	1J-5526A	ROTOR, DISC BRAKE	2	11429 -
N/S	1J-05521	HUB & ROTOR ASSY, DISC BRAKES	2	11429 -
N/S	1J-05523	VALVE, BRAKE BLEEDER	1	11429 -
N/S	1J-05524	PRIMARY BRAKE LINING W/ CALIPER, RIGHT	1	11429 -
N/S	1J-05525	PRIMARY BRAKE LINING W/ CALIPER, LEFT	1	11429 -
N/S	1J-05526	SECONDARY BRAKE LINING, RIGHT	1	11429 -
N/S	1J-05527	SECONDARY BRAKE LINING, LEFT	1	11429 -
N/S	1J-0552C	SPRING, CALIPER SUPPORT	1	11429 -
N/S	1J-0552D	KEY, CALIPER SUPPORT	1	11429 -
N/S	1J-0552E	SCREW, CALIPER SUPPORT	1	11429 -
N/S	1J-05530	BRAKE PAD SET, FRONT	1	11429 -
N/S	1F-07622	SHIELD, BRAKE DUST, LEFT	1	11429 -
N/S	1F-07623	SHIELD, BRAKE DUST, RIGHT	1	11429 -
<u>REAR DRUM BRAKES ASSEMBLY</u>				
	1J-0552A	BRAKE DRUM ASSEMBLY, LH (MANUAL ADJUST)	1	11429 -
	1J-0552B	BRAKE DRUM ASSEMBLY, RH (MANUAL ADJUST)	1	11429 -
1	1J-7292L	WHEEL CYLINDER, LEFT WHEEL	1	11429 -
N/S	1J-7292R	WHEEL CYLINDER, RIGHT WHEEL	1	11429 -
N/S	KZ-0410A	REPAIR KIT, WHEEL CYLINDER	1	11429 -
2&3	1J-7292B	BRAKE SHOES SET	1	11429 -

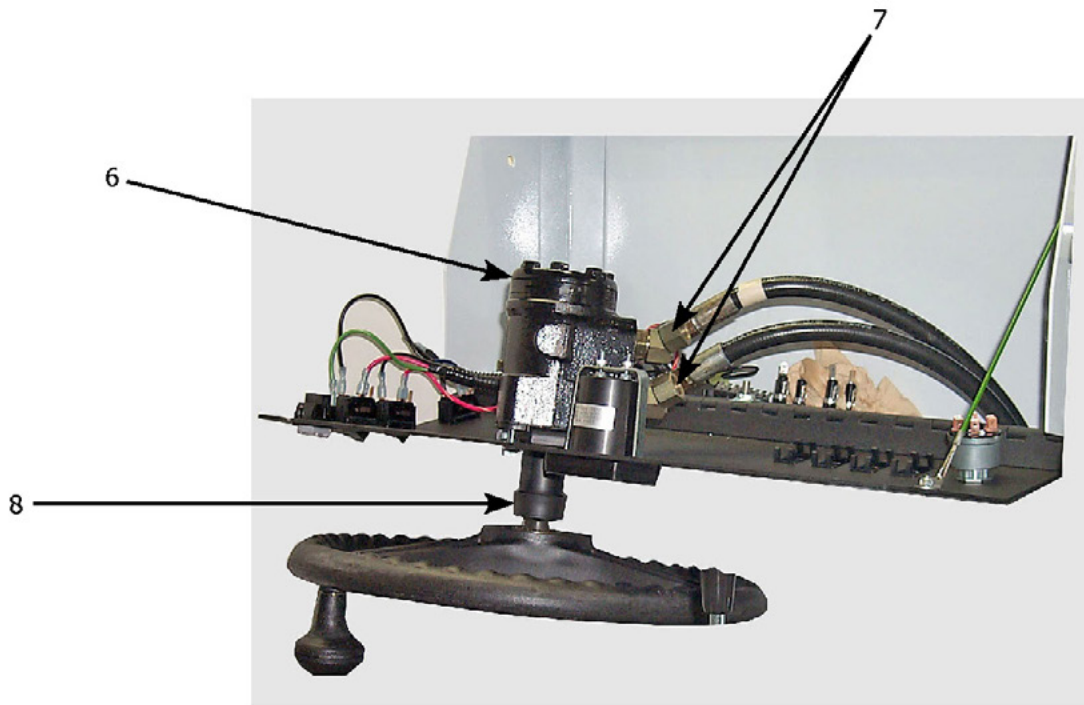
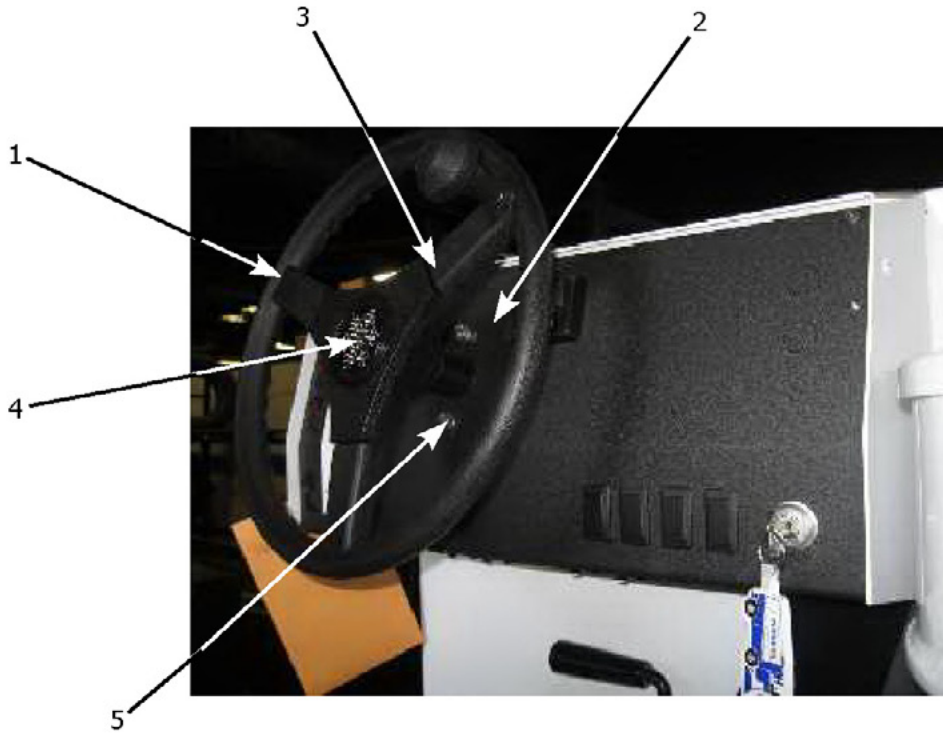
NPN = NO PART NUMBER

N/S = NOT SHOWN

ZAMBONI 552AC
CONSOLIDATED PARTS LIST

1.4 – STEERING SYSTEM

STEERING WHEEL



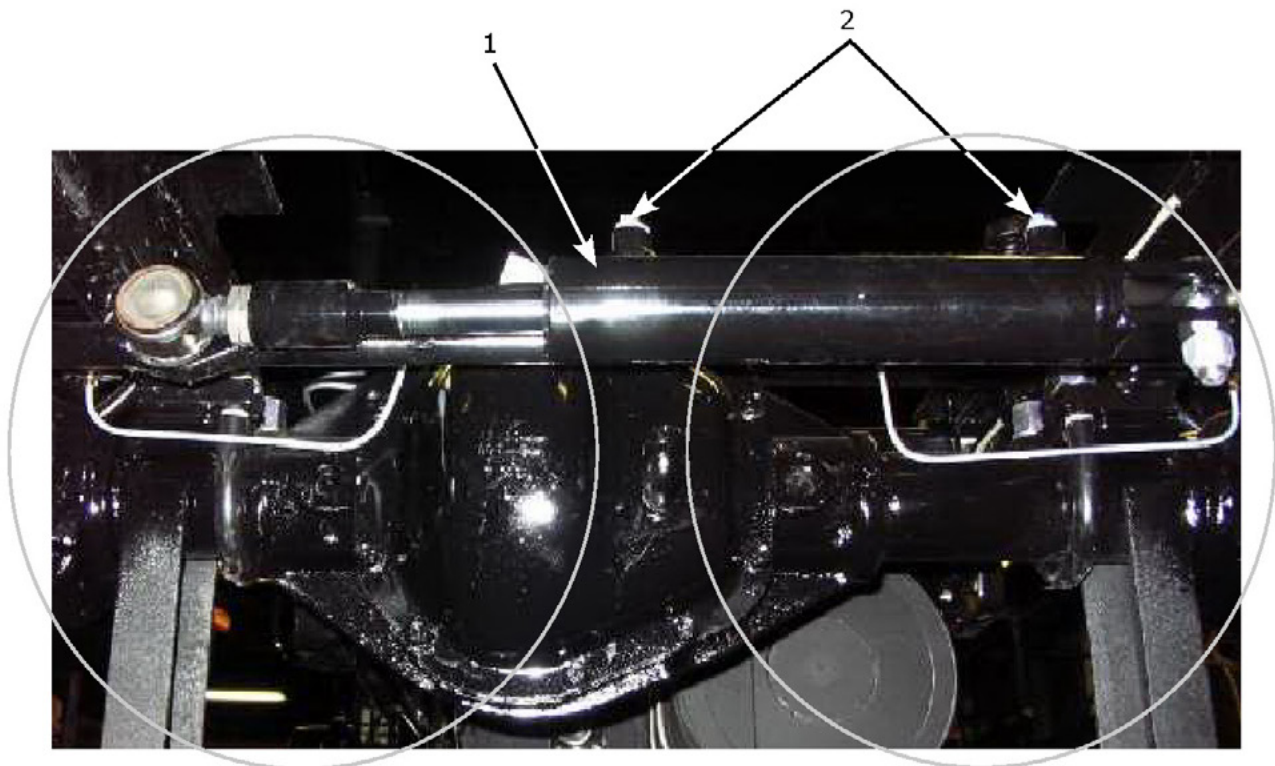
ZAMBONI 552AC
CONSOLIDATED PARTS LIST**1.4 – STEERING SYSTEM**

IND	PART NO.	DESCRIPTION	QTY	S/N RANGE
<u>STEERING WHEEL</u>				
1	4C-05205	STEERING WHEEL	1	11429 -
N/S	HA-24982	NUT, STEERING WHEEL	1	11429 -
2	4C-05202	KNOB, STEERING WHEEL	1	11429 -
	HA-08017	BOLT, 5/16-18 X 2-1/4	1	11429 -
	HA-08981	LOCKNUT, 5/16-18	1	11429 -
3	4C-05201	CAP, STEERING WHEEL	1	11429 -
4	81-79700	DECAL, SNOW FLAKE	1	11429 -
5	HA-10013	SCREW, HEX HD, 3/8-16 X 1-1/4	2	11429 -
	HA-10862	LOCKWASHER, 3/8	4	11429 -
6	4C-05100	STEERING CONTROL	1	11429 -
7	F3-74470	ADAPTER	4	11429-
8	4C-79980	STEERING COLUMN	1	11429 -

ZAMBONI 552AC
CONSOLIDATED PARTS LIST

1.4 – STEERING SYSTEM

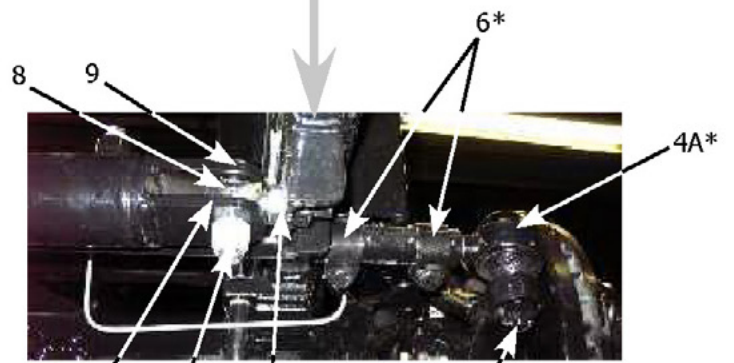
STEERING CYLINDER AND TIE ROD ASSEMBLY



(VIEW FROM FRONT, UNDERNEATH)



5* 4B 3 4 7



8 9 6* 4A* 10 11 12 5*

ZAMBONI 552AC
CONSOLIDATED PARTS LIST**1.4 – STEERING SYSTEM**

IND	PART NO.	DESCRIPTION	QTY	S/N RANGE
<u>STEERING CYLINDER AND TIE ROD ASSEMBLY</u>				
1	2X-2008B	STEERING CYLINDER	1	11429 -
2	F3-67300	FITTING	2	11429 -
3	4D-18971	TIE ROD ASSY (INCLUDES ITEMS 4A*-1PC, 5*-2PCS, 6*-2PCS)	1	11429 -
4A*	4J-01000	BALL JOINT, 7/8-18	1	11429 -
4B	4J-01000	BALL JOINT, 7/8-18	1	11429 -
5*	HA-17985	HEX NUT, SLOTTED, 9/16-18	3	11429 -
N/S	HA-52712	COTTER PIN, 1/8 X 1-1/4	3	11429 -
6*	4D-01000	SLEEVE & CLAMP ASSY, TIE ROD	2	11429 -
7	HD-56981	NUT, HEX, 7/8-18	1	11429 -
8	4J-04040	ROD END	1	11429 -
9	HA-18018	SCREW, HEX HD, 5/8-11 X 2-1/2	1	11429 -
10	HA-18860	WASHER, FLAT, 5/8	1	11429 -
11	HA-18987	NUT, HEX, THIN, 5/8-11	1	11429 -
12	HA-19982	NUT, HEX, THIN, 5/8-18	1	11429 -

ZAMBONI 552AC
CONSOLIDATED PARTS LIST

GROUP 2.1 – OPERATOR CONTROLLER INTERFACE GROUP

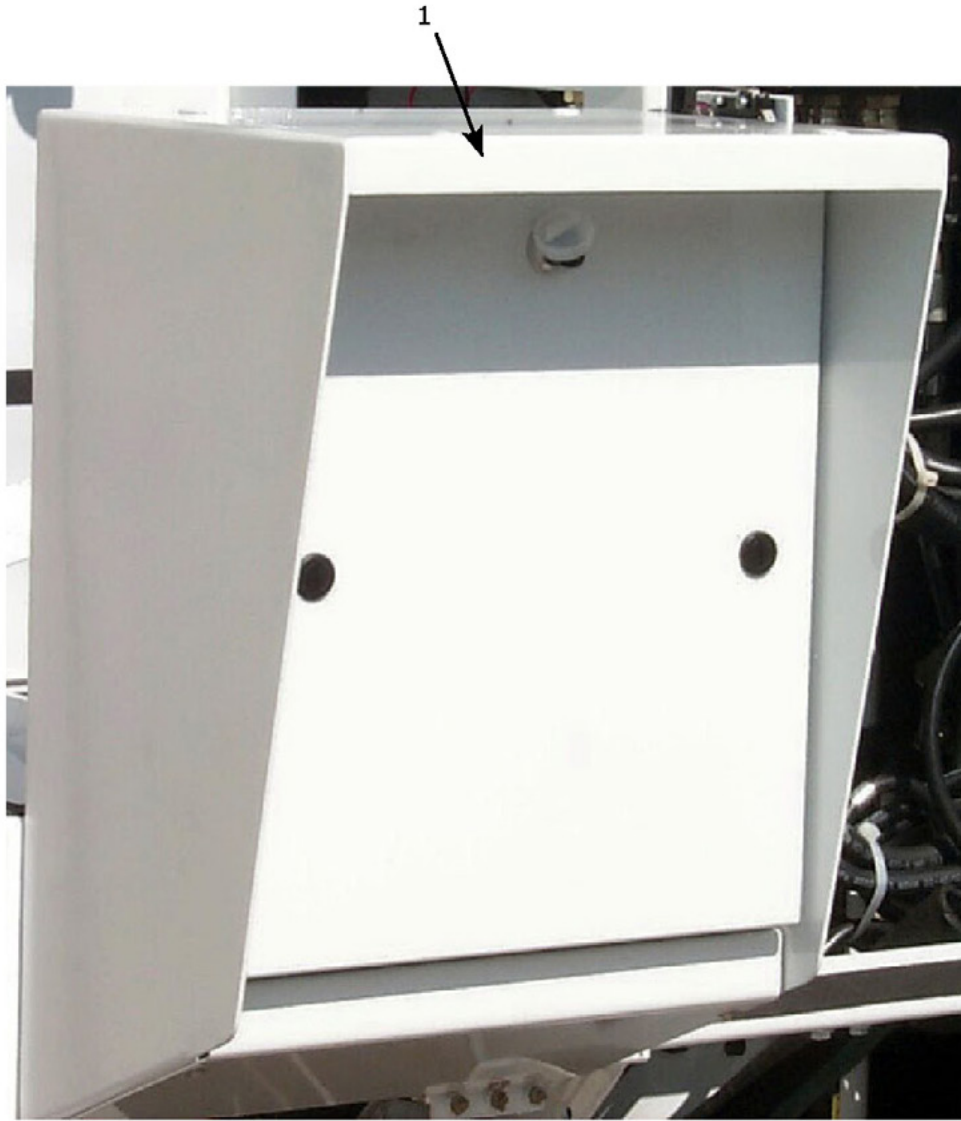


ZAMBONI 552AC
CONSOLIDATED PARTS LIST**2.1 – OPERATOR CONTROLLER INTERFACE GROUP**

IND	PART NO.	DESCRIPTION	QTY	S/N RANGE
1	7P-5520G	DIRECTIONAL CONTROL SWITCH	1	11429 -
2	7T-5527P	DIRECTIONAL CONTROL SWITCH LOOM	1	11429 -
3	7P-55350	ACCELERATOR SWITCH, SEVCON	1	11429 -
4	7K-06500	DISPLAY, SMARTVIEW, SEVCON, 100K	1	11429-12601
	7K-06510	DISPLAY, SMARTVIEW, SEVCON, 250K	1	12602 -

ZAMBONI 552AC
CONSOLIDATED PARTS LIST

2.2 – ENCLOSURE GROUP

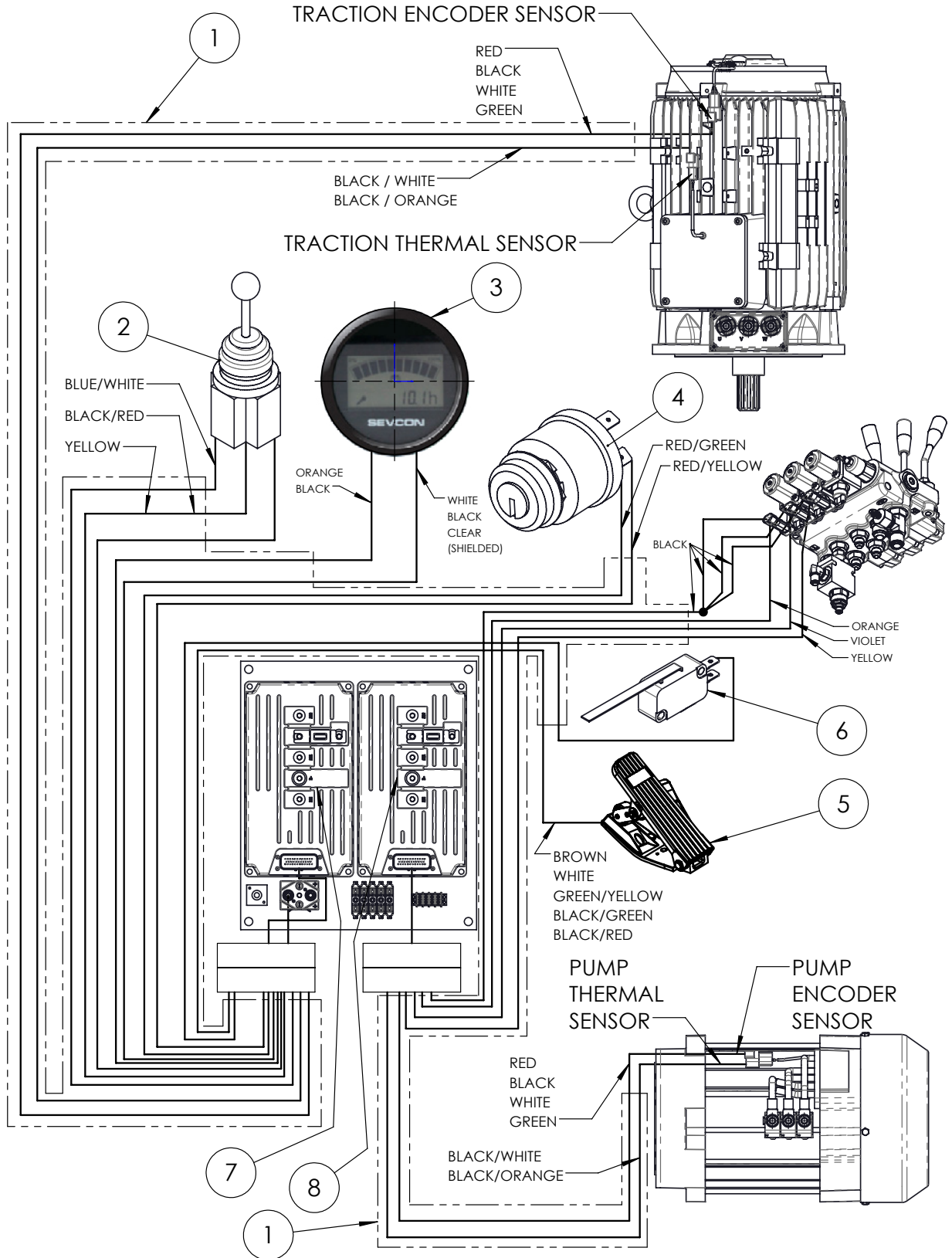


ZAMBONI 552AC
CONSOLIDATED PARTS LIST**2.2 – ENCLOSURE GROUP**

IND	PART NO.	DESCRIPTION	QTY	S/N RANGE
1	7H-05520	SEAT ENCLOSURE	1	11429 -
	7P-04422	KEY, SEVCON CONTROL BOX, SPAN	1	11429 -
	47-1552K	LATCH, KEYED	1	11429 -
	47-1552L	LATCH, 1/4 TURN	2	11429 -
	47-1552H	HINGE, ENCLOSURE	2	11429 -

**ZAMBONI 552AC
CONSOLIDATED PARTS LIST**

2.3 – ELECTRIC CONTROLS

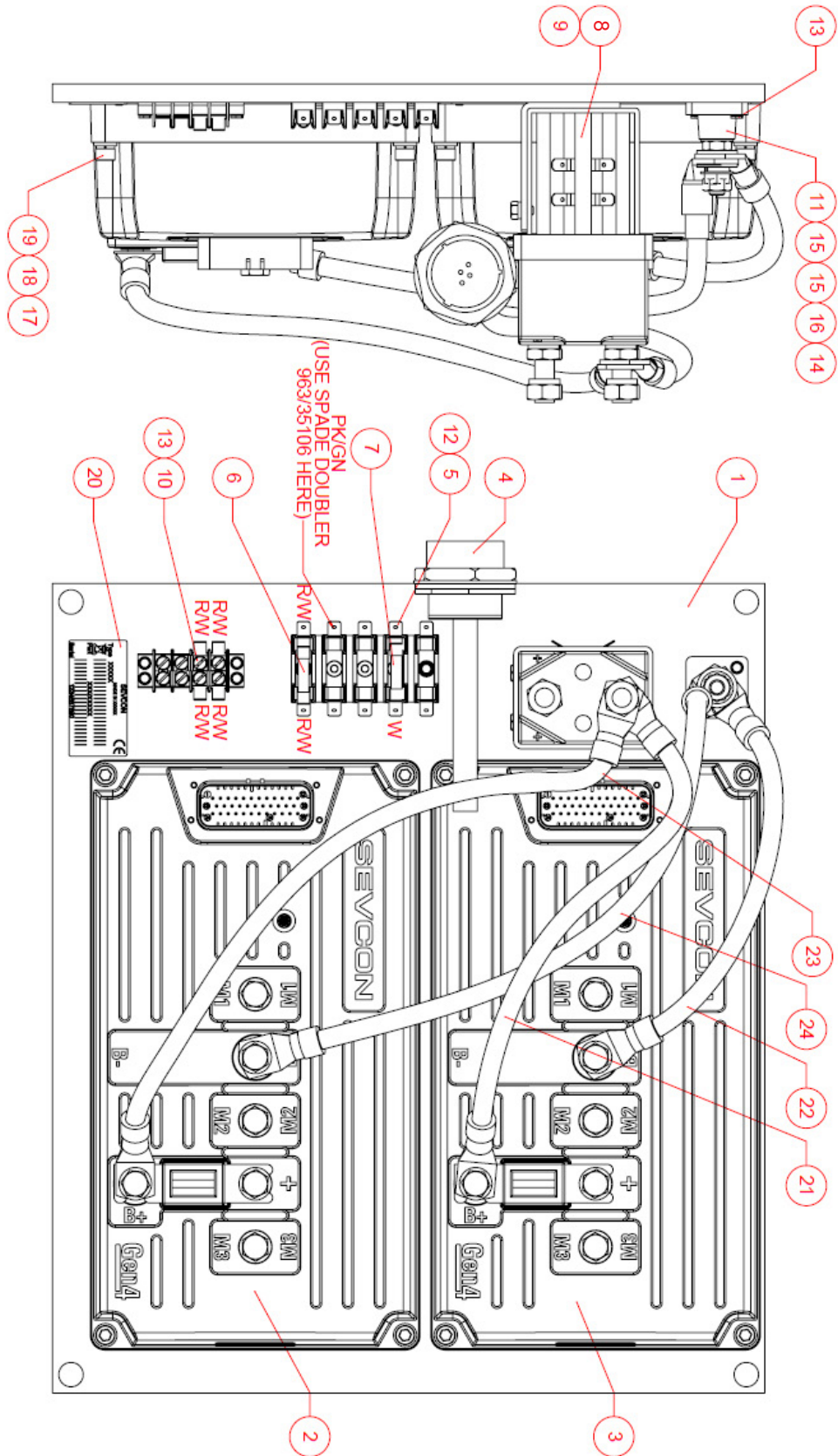


ZAMBONI 552AC
CONSOLIDATED PARTS LIST**2.3 – ELECTRIC CONTROLS**

IND	PART NO.	DESCRIPTION	QTY	S/N RANGE
1	75-55400	552AC MAIN WIRE HARNESS	1	11429 -
2	7P-5520G	SWITCH, DIRECTIONAL, DETENTED POSITIONS	1	11429 -
3	7K-06500	DISPLAY, SMARTVIEW, SEVCON, 100K	1	11429 - 12601
	7K-06510	DISPLAY, SMARTVIEW, SEVCON, 250K		12602 -
4	7P-04400	SWITCH, IGNITION, WITH 2 KEYS	1	11429 -
	7P-04410	IGNITION KEY, BLANK		11429 -
5	7P-56350	ACCEL PEDAL, SEVCON, AC	1	11429 -
6	7P-0502A	PARKING BRAKE SWITCH	1	11429 -
7	7T-55410	CONTROLLER, GEN4, TRACTION, 100K, 552AC	1	11429 - 12601
	7T-55415	CONTROLLER, GEN4, TRACTION, 250K, 552AC	1	12602 -
8	7T-55420	CONTROLLER, GEN4, PUMP, 100K, 552AC	1	11429 - 12601
	7T-55425	CONTROLLER, GEN4, PUMP, 250K, 552AC	1	12602 -

**ZAMBONI 552AC
CONSOLIDATED PARTS LIST**

2.3 – ELECTRONIC CONTROLS

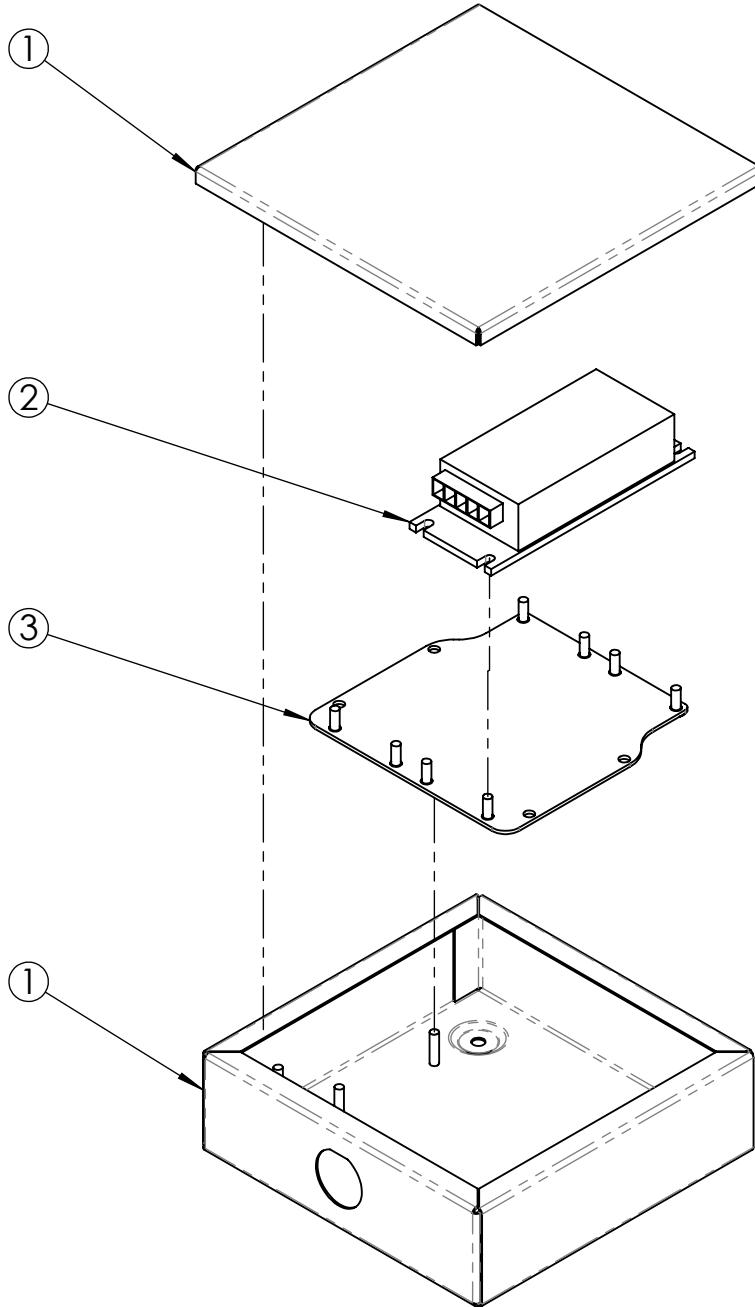


ZAMBONI 552AC
CONSOLIDATED PARTS LIST**2.3 – ELECTRONIC CONTROLS**

IND	PART NO.	DESCRIPTION	QTY	S/N RANGE
1	7T-0560A	SEVCON GEN 4 PANEL BASE PLATE HEAT SINK	1	11429 -
2	7T-55410	CONTROLLER, GEN4, TRACTION, 100K, 552AC	1	11429-12601 -
	7T-55415	CONTROLLER, GEN4, TRACTION, 250K, 552AC	1	12602 -
3	7T-55420	CONTROLLER, GEN4, PUMP, 100K, 552AC	1	11429-12601 -
	7T-55425	CONTROLLER, GEN4, PUMP, 250K, 552AC	1	12602 -
4	7T-5540B	SEVCON 552AC PANEL WIRE HARNESS	1	11429 -
5	78-55330	FUSE HOLDER	1	11429 -
6	78-5533B	10A GLASS FUSE	1	11429 -
7	78-5533D	15A GLASS FUSE	1	11429 -
8	7T-0650E	CONTACTOR, AMETEK SPST, N.O. 80V 400A	1	11429 -
9	7T-0650G	SW200 CONTACTOR MTG KIT	1	11429 -
N/S	7T-0650F	KIT, CONTACTOR TIPS, 400A, 80V, AMETEK	1	11429 -
10	71-1000D	4 WAY TERMINAL BLOCK	1	11429 -
11	N/A	TERMINAL SUBASSEMBLY	1	11429 -
12	HM-04114	M3 X 10 MM LONG SCREW, HEAD FLANGE HEAD, TAPTITE	2	11429 -
13	HM-04115	M3 X 12 MM LONG SCREW, HEAD FLANGE HEAD, TAPTITE	6	11429 -
14	HM-13980	M8 NUT	1	11429 -
15	HM-13983	M8 FLAT WASHER, LARGE OD	2	11429 -
16	HM-13865	M8 SPLIT LOCK WASHER	1	11429 -
17	HM-09983	M6 FLAT WASHER	8	11429 -
18	HM-09862	M6 SPLIT LOCK WASHER	8	11429 -
19	HM-09116	M6 X 30 MM LONG SCREW, SOCKET HEAD	8	11429 -
20	N/A	DATA LABEL	1	11429 -
21	75-0650F	POWER CABLE, CONTACTOR TO TRAC B+	1	11429 -
22	75-0650G	POWER CABLE, TRAC B- TO B- POST TERMINAL	1	11429 -
23	75-0650H	POWER CABLE, CONTACTOR TO PUMP B+	1	11429 -
24	75-0650J	POWER CABLE, PUMP B- TO B- POST TERMINAL	1	11429 -
25	71-1000B	TERMINAL BLOCK JUMPER	3	11429 -
26	71-1000C	45 TERMINAL BLOCK TAB	4	11429 -

ZAMBONI 552AC
CONSOLIDATED PARTS LIST

2.3 – ELECTRONIC CONTROLS

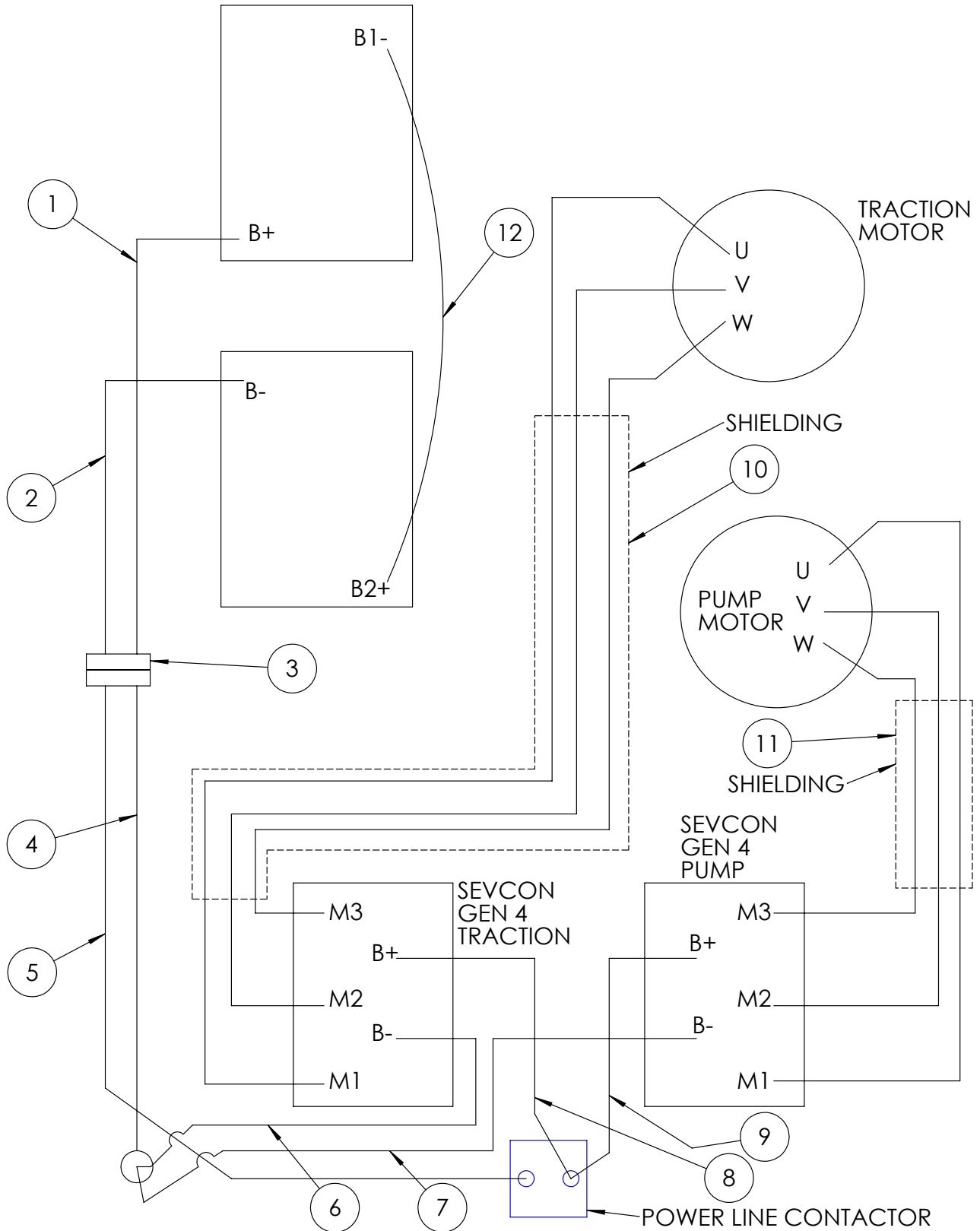


ZAMBONI 552AC
CONSOLIDATED PARTS LIST**2.3 – ELECTRONIC CONTROLS**

IND	PART NO.	DESCRIPTION	QTY	S/N RANGE
1	7T-56200	ENCLOSURE, DC/DC, 552AC/560AC/650	1	11429 -
2	79-8060B	CONVERTER, 80 VDC/12 VDC, 300W, EMC	1	11429 -
3	5T-56245	DC CONV BASEPLATE WLDMNT, 552AC/560AC/650	1	11429 -
N/S	75-56300	LOOM, DC/DC ENCL, INTERNAL, AC MODELS	1	11429 -
N/S	HF-08009	SCREW, HEX HEAD STAINLESS, 5/16-18x 3/4"	4	11429 -
N/S	HD-08862	NYLON FLAT WASHER, 5/16" ID x .062 THICK	4	11429 -
N/S	HF-08861	SS FLAT WASHER, SAE PATTERN 5/16	4	11429 -

ZAMBONI 552AC
CONSOLIDATED PARTS LIST

2.4 – POWER CABLES

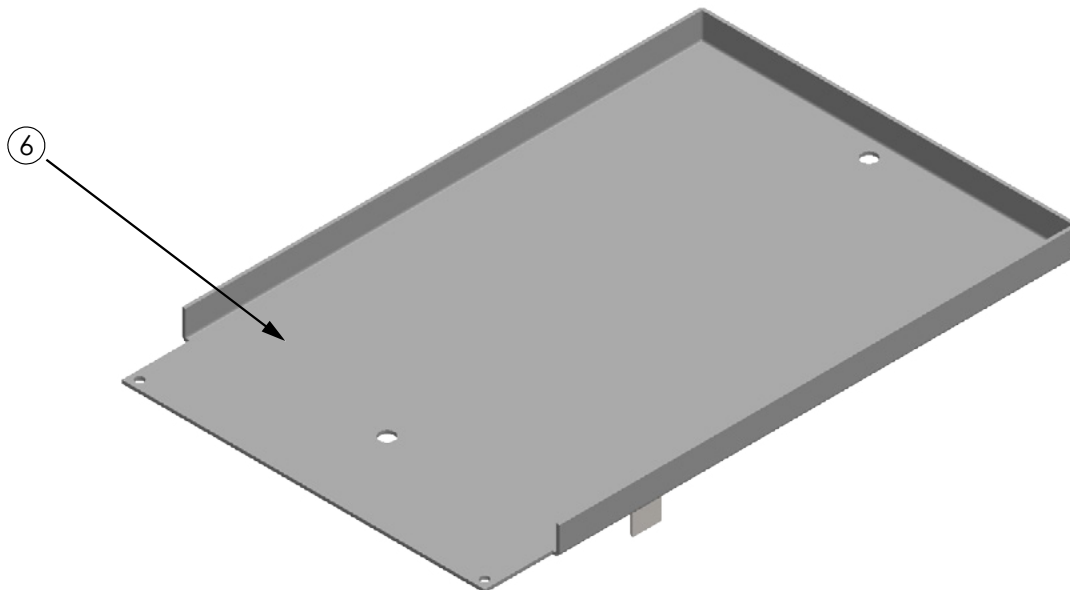
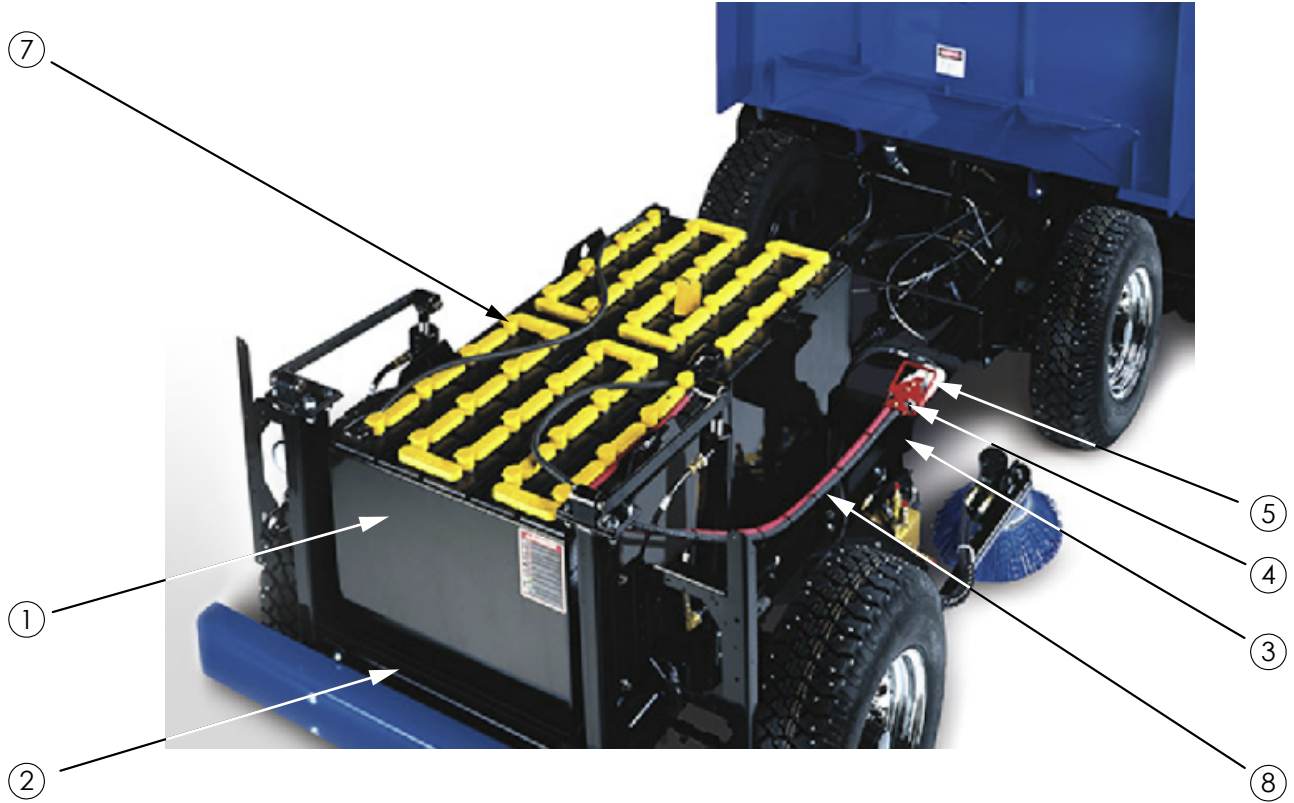


ZAMBONI 552AC
CONSOLIDATED PARTS LIST**2.4 – POWER CABLES**

IND	PART NO.	DESCRIPTION	QTY	S/N RANGE
1	75-0553A	POWER CABLE, B+ POST TO CONNECTOR	1	11429 -
2	75-0553B	POWER CABLE, B- POST TO CONNECTOR	1	11429 -
3	7T-55230	POWER CABLE CONNECTOR, 552AC (SB-530)	2	11429 -
	77-5580A	POWER PLUG CONNECTOR KIT, LITHIUM ION	1	11429 -
	77-5580C	POWER CABLE RECEPTACLE CONNECTOR KIT, LITHIUM ION	1	11429 -
4	75-0553J	POWER CABLE, B+, LEAD ACID BATT, 560AC/552AC	1	11429 -
	75-5580A	BATTERY CABLE, RED, 2/0, 552AC LI	1	11429 -
5	75-0553K	POWER CABLE, B-, LEAD ACID, 560AC/552AC	1	11429 -
	75-5580B	BATTERY CABLE, BLACK, 2/0, 552AC LI	1	11429 -
6	75-0650G	POWER CABLE, TRAC CTRL B-, AC	1	11429 -
7	75-0650J	POWER CABLE, PUMP CTRL B-, AC	1	11429 -
8	75-0650F	POWER CABLE, TRAC CTRL B+, AC	1	11429 -
9	75-0650H	POWER CABLE, PUMP CTRL B+, AC	1	11429 -
10	75-0560P	ASSY, MOTOR CABLE, PUMP, 560AC/552AC	1	11429 -
11	75-0560T	ASSY, MOTOR CABLE, TRACTION, 560AC/552AC	1	11429 -
12	77-5541L	POWER CABLE, BATTERY JUMPER CABLE KIT, CROWN	1	11429 -
	77-5541M	POWER CABLE, BATTERY JUMPER CABLE KIT, DEKA	1	11429 -

ZAMBONI 552AC
CONSOLIDATED PARTS LIST

2.5 – BATTERY (LEAD ACID)



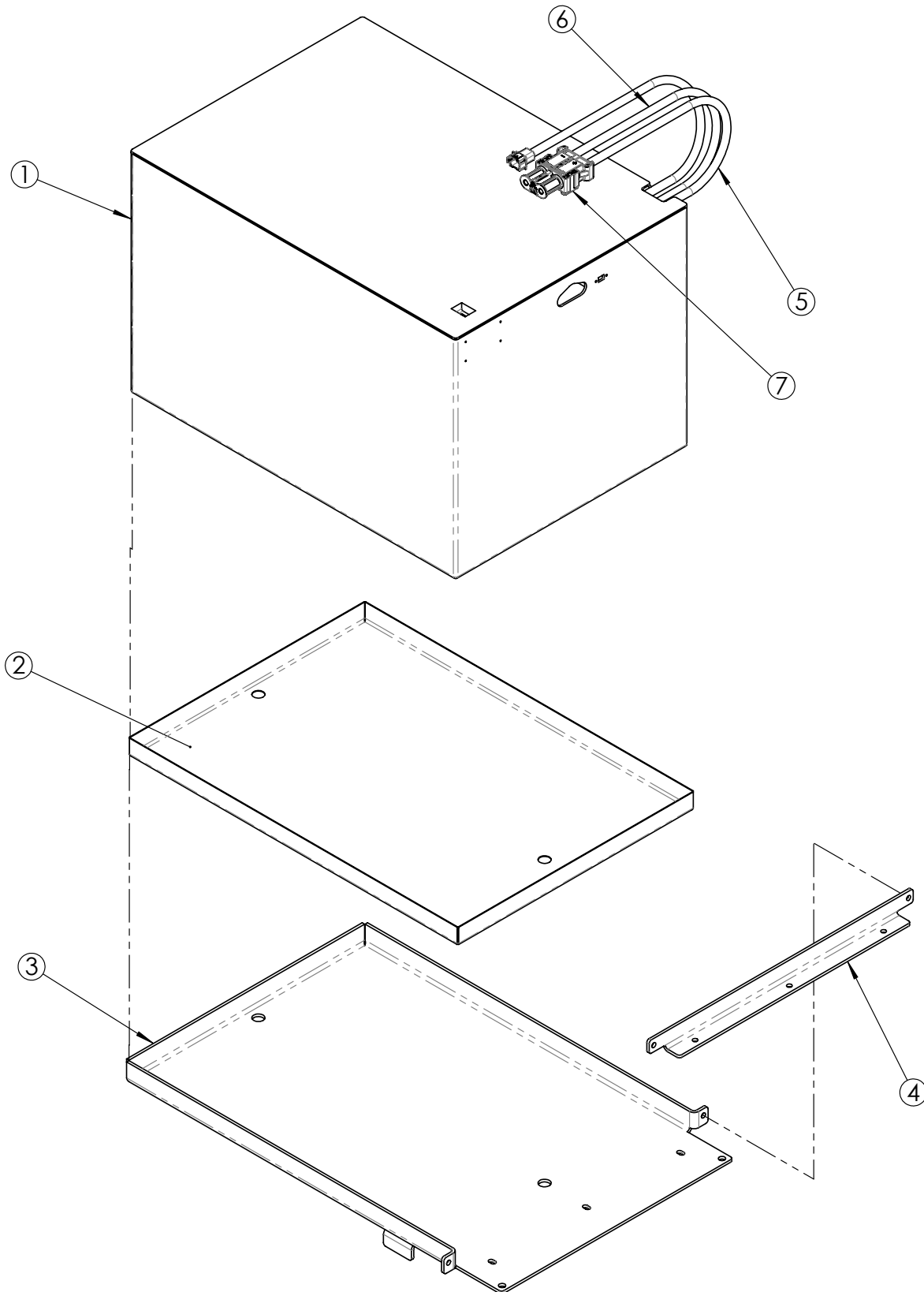
ZAMBONI 552AC
CONSOLIDATED PARTS LIST**2.5 – BATTERY (LEAD ACID)**

IND	PART NO.	DESCRIPTION	QTY	S/N RANGE
1	77-55410	BATTERY SYSTEM, CROWN, 510 AH	1	11429, 11581-
	77-55450	BATTERY SYSTEM, DEKA, 510 AH	1	11429, 11581-
2	5T-55210	FRONT BATTERY BRACE	1	11429, 11581-
3	3F-91030	BRACKET, POWER CONNECTOR	1	11429, 11581-
	HA-06011	SCREW, HEX HD, 1/4-20 X 1	2	11429, 11581-
	HA-06860	FLAT WASHER, 1/4-20	2	11429, 11581-
	HA-06862	LOCK WASHER, 1/4-20	2	11429, 11581-
4	7T-55226	MANUAL RELEASE, LOCKING HALF	1	11429, 11581-
5	7T-55227	MOUNTING HALF PLATE	1	11429, 11581-
6	5T-09000	BATTERY TRAY, 552AC	1	11429, 11581-
7	77-55431	CAP, BATTERY, DISSPATER, TEARDROP	40	11429, 11581-
8	77-5541K	BATTERY, CABLE KIT, BBI	1	11429, 11581-
	77-5541L	BATTERY, CABLE KIT, CROWN	1	11429, 11581-
	77-5541M	BATTERY, CABLE KIT, DEKA	1	11429, 11581-

ZAMBONI 552AC
CONSOLIDATED PARTS LIST

2.5 – BATTERY (LITHIUM-ION)

LITHIUM-ION



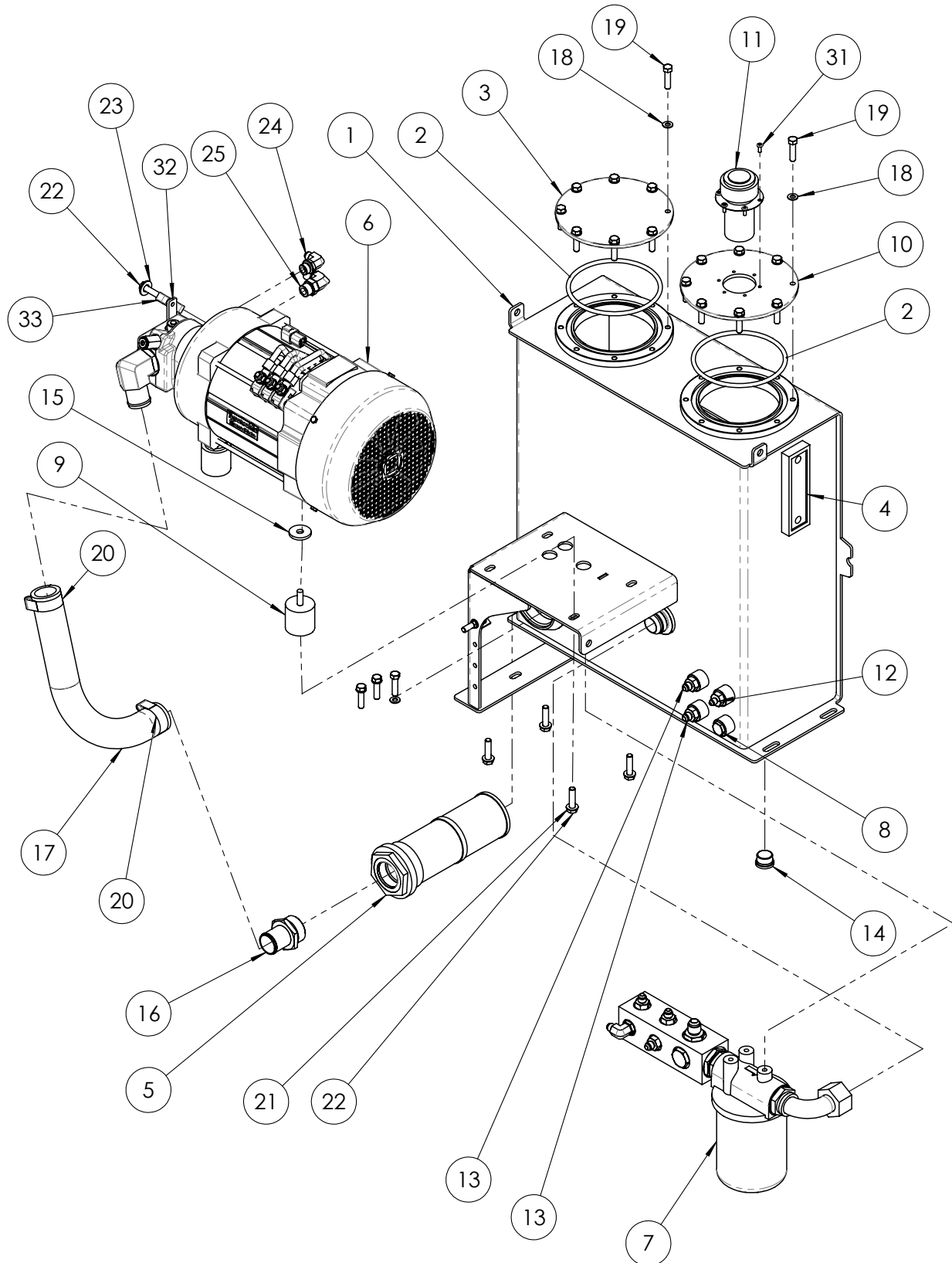
ZAMBONI 552AC
CONSOLIDATED PARTS LIST**2.5 – BATTERY (LITHIUM-ION)****LITHIUM-ION**

IND	PART NO.	DESCRIPTION	QTY	S/N RANGE
1	77-55800	BATTERY, LI, 80V/300AH	1	12560 -
2	5P-09150	RUBBER LINER, BATT TRAY, 552AC LI	1	12560 -
3	5T-09150	BATTERY TRAY, WELDED STEEL, 552AC LI	1	12560 -
4	5T-09151	BATTERY FRONT RESTRAINT, 552AC LI	1	12560 -
N/S	HA-14016	SCREW,HEX HEAD,1/2-13 X 2	2	12560 -
N/S	HF-14980	1/2-13 NUT, STAINLESS	2	12560 -
N/S	HF-14860	WASHER, S.S. FLAT, 1/2" ID x 1-1/16" OD	2	12560 -
N/S	HA-10017	SCREW, HEX HEAD, 3/8-16 x 2-1/4" PLATED	5	12560 -
N/S	HF-10860	3/8" FLAT WASHER, STAINLESS	10	12560 -
N/S	HF-10981	3/8-16 NYLON LOCKNUT	5	12560 -
5	75-5580A	BATTERY CABLE, RED, 2/0, BATTERY-SIDE, 552AC LI	1	12560 -
6	75-5580B	BATTERY CABLE, BLACK, 2/0, BATTERY-SIDE, 552AC LI	1	12560 -
7	77-5580A	POWER PLUG CONNECTOR KIT, 552AC LI	1	12560 -
N/S	77-5508B	POWER CABLE CONNECTOR CONTACTS KIT	1	12560 -

ZAMBONI 552AC

CONSOLIDATED PARTS LIST

GROUP 3.1 – HYDRAULIC OIL TANK



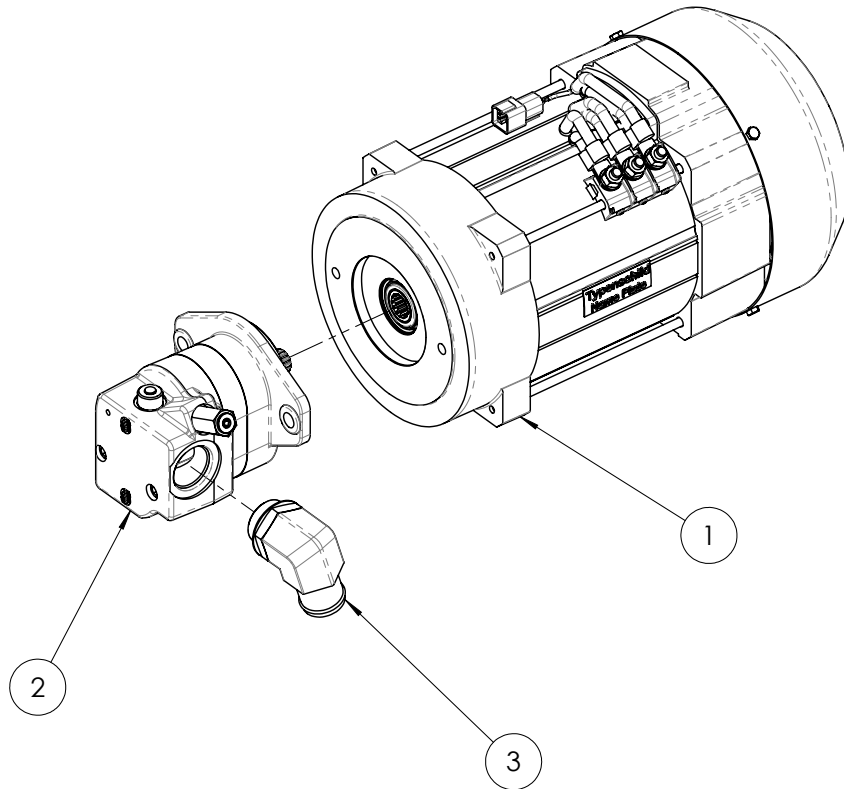
ZAMBONI 552AC
CONSOLIDATED PARTS LIST**3.1 – HYDRAULIC OIL TANK**

IND	PART NO.	DESCRIPTION	QTY	S/N RANGE
1	7A-05700	HYDRAULIC OIL RESERVOIR, 552 AC	1	11429 -
2	2E-0437B	PARKER ORING AS568-437	2	11429 -
3	7A-05702	OIL TANK CLEANOUT COVER	1	11429 -
4	7K-15740	SIGHT GAUGE, HYDRAULIC OIL LEVEL	1	11429 -
5	3R-55320	SUCTION STRAINER	1	11429 -
6		HYDRAULIC PM ASSY, REFER TO CORRESPONDING SECTION	1	11429 -
7		RETURN FILTER ASSY 552, REFER TO CORRESPONDING SECTION	1	11429 -
8	F1-18040	PLUG, HEX HEAD, 08 MALE O-RING BOSS	1	11429 -
9	3M-55620	VIBRATION ISOLATOR - MCM 9232K62	4	11429 -
10	7A-05701	OIL TANK CLEANOUT COVER	1	11429 -
11	7D-6841B	FILLER CAP/OIL TANK BREATHER ASSEMBLY	1	11429 -
12	F1-62120	ADAPTER, STRAIGHT, MORB/M37, 08MB, 04MJ	1	11429 -
13	F1-62140	ADAPTER, STRAIGHT, MORB/M37, 08MB, 06MJ	2	11429 -
14	F1-1806A	PLUG, MAGNETIC, 12 MB, ALLEN SKT	1	11429 -
15	HD-12862	FLAT WASHER, 15/32 x 1-1/2 x 3/16 PLATED	4	11429 -
16	FW-42318	BRENNAN 4604-24-24-O	1	11429 -
17	PX-5069A	SUCTION HOSE, PARKER 811-24, 18" LG	1	11429 -
18	HF-08860	WASHER, FLAT, 5/16", STAINLESS STEEL	19	11429 -
19	HA-10014	SCR,HEX HD,3/8-16X1.5,GR 5	20	11429 -
20	27-2202A	CLAMP, HOSE, T-BOLT, 1-1/2" OD	2	11429 -
21	HF-10861	WASHER,FLAT,SAE STD,3/8,S.S.	10	11429 -
22	HM-17021	SCREW, HEX HEAD, 10-1.5 X 40MM	6	11429 -
23	HF-14860	WASHER, S.S. FLAT, 1/2" ID x 1-1/16" OD	2	11429 -
24	F1-67290	90 ELBOW, 8 MORBA X 6 MJIC, STEEL	1	11429 -
25	F1-67350	90 ELBOW, O-RNG/37FL, 10MB, 10MJ	1	11429 -
26	5T-73685	BRACKET, BRAKE, TEE	1	11429 -
27	HF-06861	WASHER, FLAT, 1/4, SAE,S.S.	2	11429 -
28	HF-06981	LOCKNUT, S/S 1/4-20 NC	1	11429 -
29	HF-10011	SCREW,HEX HD,3/8-16 X 1,S.S.	3	11429 -
30	HF-10981	NYLON NUT, HEX LOCK, 3/8-16 , STAINLESS	3	11429 -
31	HF-04706	SCREW,SLOT FILLISTER,10-32 X 1/2 ,M/S,SS	6	11429 -
32	5T-55246	BRACKET, PUMP HOSE CLAMP,	1	11429 -
33	27-30090	CLAMP, VINYL LINED, 1-3/4"	1	11429 -

ZAMBONI 552AC
CONSOLIDATED PARTS LIST

3.1 – HYDRAULIC OIL TANK

HYDRAULIC PUMP MOTOR ASSEMBLY



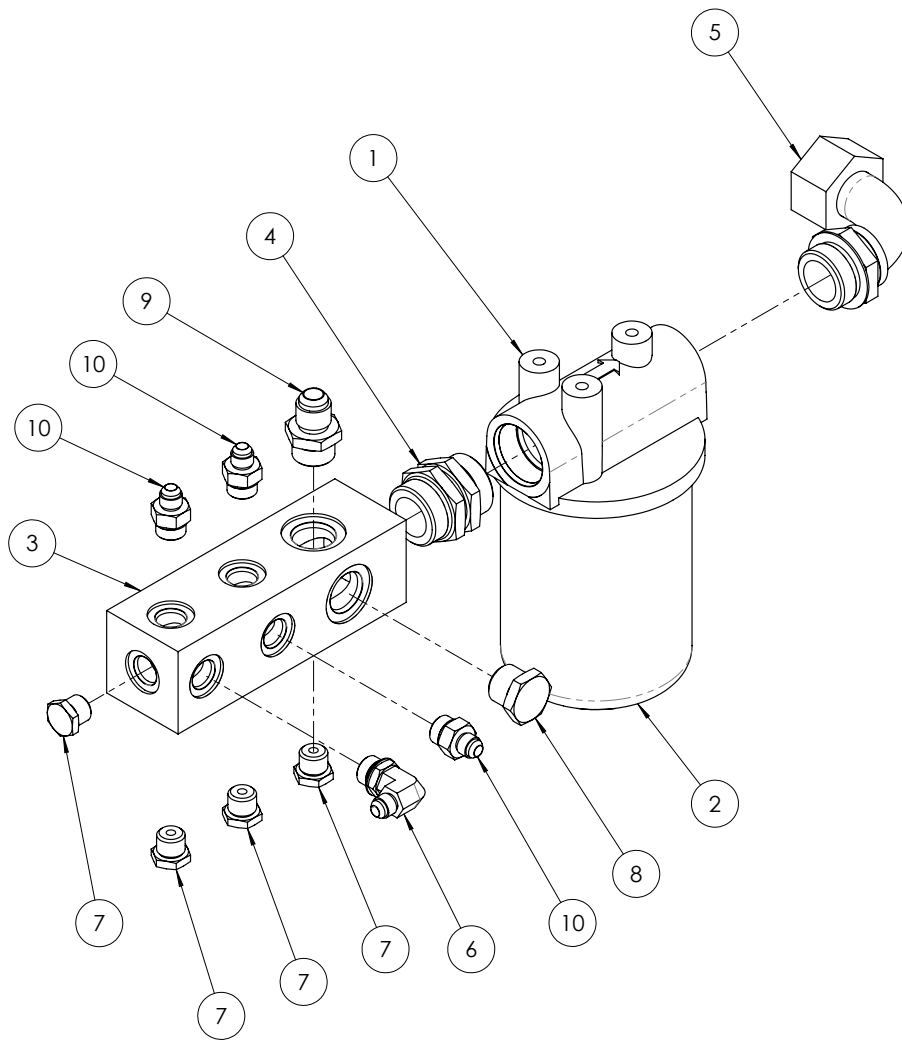
ZAMBONI 552AC
CONSOLIDATED PARTS LIST**3.1 – HYDRAULIC OIL TANK**

IND	PART NO.	DESCRIPTION	QTY	S/N RANGE
		<u>ELECTRIC PUMP MOTOR</u>		
1	2L-55650	MOTOR, ELEC, PUMP, V3, AC MODELS	1	12542 -
	2L-55630	MOTOR, ELEC, PUMP, V2, AC MODELS	1	11429 - 12275
2	2P-65000	PUMP, HYDRAULIC, 1.54CIR, 4 GPM PRIORITY	1	11429 -
3	F1-71220	HYDRAULIC PUMP INTAKE FITTING, 552AC	1	11429 -

ZAMBONI 552AC
CONSOLIDATED PARTS LIST

3.1 – HYDRAULIC OIL TANK

RETURN FILTER ASSEMBLY

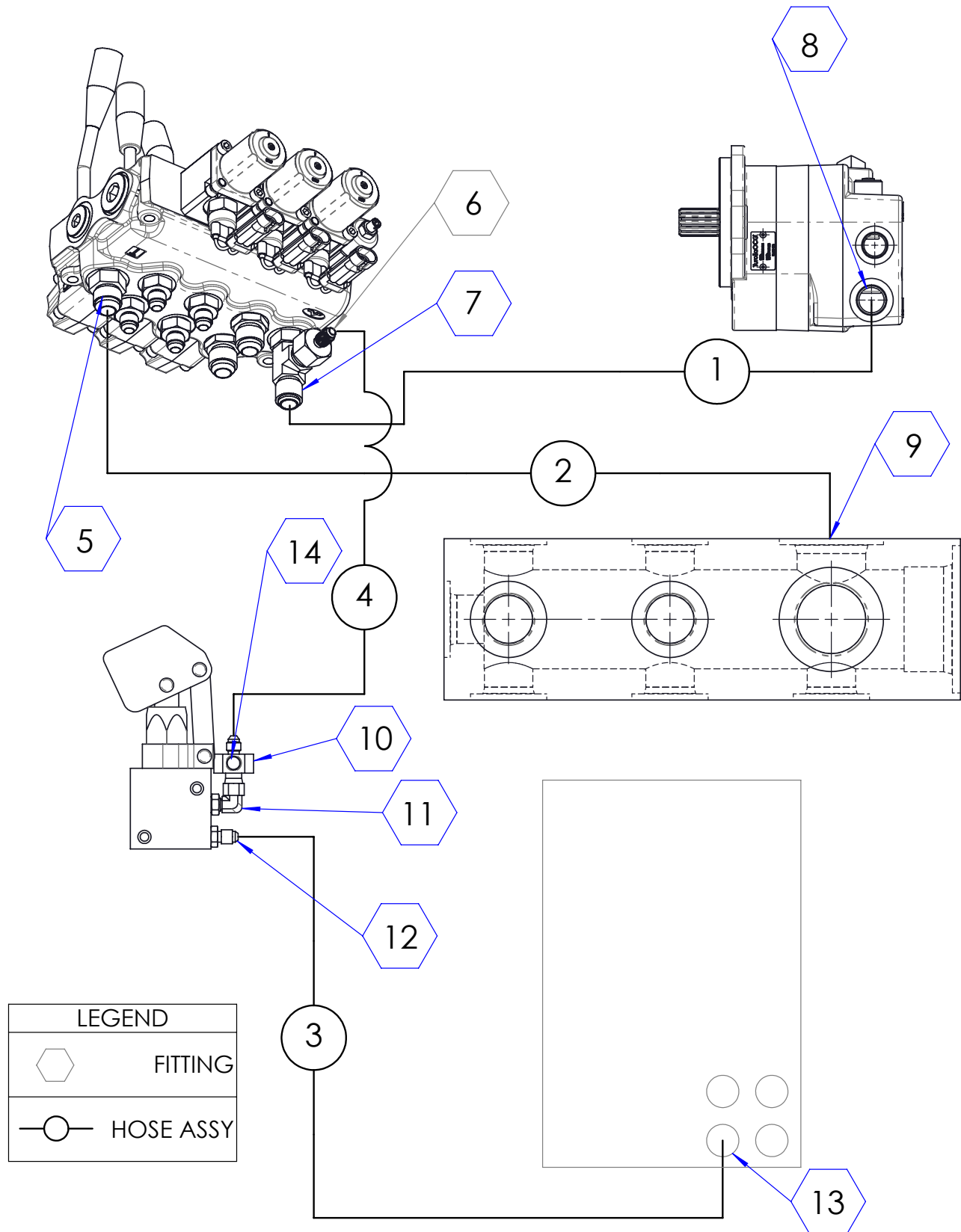


ZAMBONI 552AC
CONSOLIDATED PARTS LIST**3.1 – HYDRAULIC OIL TANK**

IND	PART NO.	DESCRIPTION	QTY	S/N RANGE
<u>HYDRAULIC OIL RETURN MANIFOLD</u>				
1	3R-55300	RETURN FILTER ASSEMBLY, 552 AC, WITH ANTI DRAIN CHECK VALVE	1	11429-
2	3R-55310	FILTER ELEMENT, 552 AC	1	11429-
3	7A-15890	MAN BLK, HYD OIL RET, 546, 552	1	11429-
4	F1-21340	FITTING, STRAIGHT, 20 MB, 20 MB	1	11429-
5	F1-71220	FITTING, 90 ELBOW, 1-1/4 TUBE FITTING, 20 FJSW, 20 MBA	1	11429-
6	F1-67290	90 ELBOW, 8 MORBA X 6 MJIC, STEEL	1	11429-
7	F1-18040	PLUG, HEX HEAD, 08 MALE O-RING BOSS	4	11429-
8	F1-18060	PLUG, HEX HEAD, 12 MB	1	11429-
9	F1-62250	FITTING, STRAIGHT, 12 MB, 10 MJ	1	11429-
10	F1-62140	ADAPTER, STRAIGHT, MORB/M37, 08MB, 06MJ	3	11429-

ZAMBONI 552AC
CONSOLIDATED PARTS LIST

3.2 – HYDRAULIC HOSES AND FITTINGS

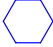



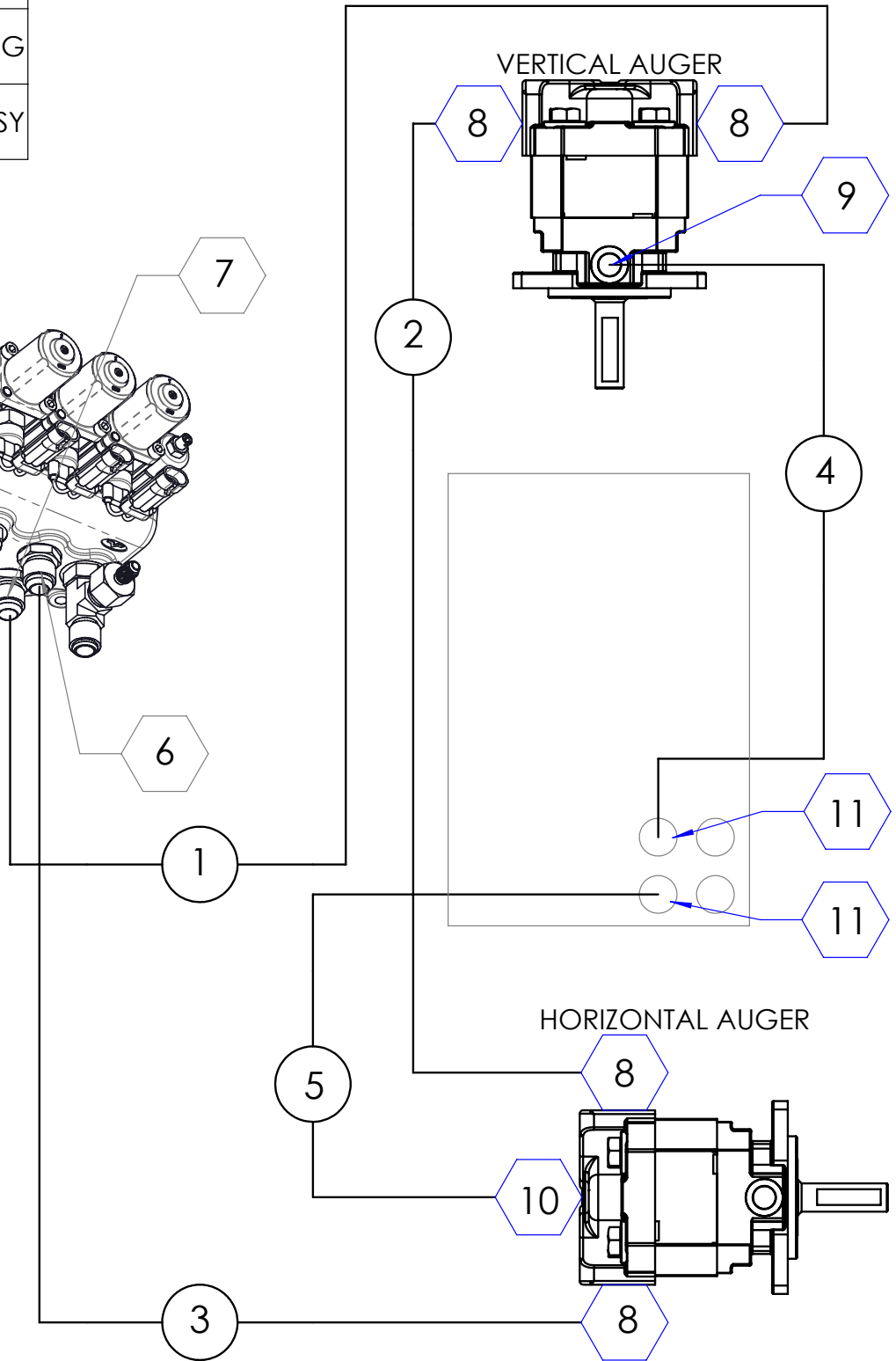
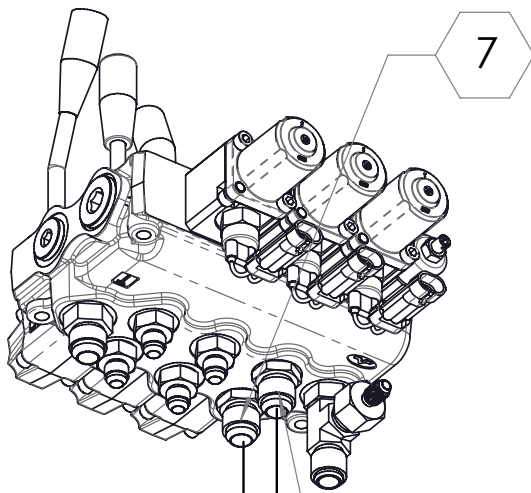
ZAMBONI 552AC
CONSOLIDATED PARTS LIST**3.2 – HYDRAULIC HOSES AND FITTINGS**

IND	PART NO.	DESCRIPTION	QTY	S/N RANGE
1	PJ-5100A	HOSE ASSY, 5/8 X 25	1	11429 -
2	PJ-5100B	HOSE ASSY, 5/8 X 25	1	11429 -
3	PJ-2188A	HOSE ASSY, 1/4 X 47	1	11429 -
4	PJ-2096A	HOSE ASSY, 1/4 X 25	1	11429 -
5	F1-62200	FITTING, STRAIGHT, 10 MB, 10 MJ	1	11429 -
6	F3-64030	FITTING, STRAIGHT, 10 FJ, 4 MJ	1	11429 -
7	F1-79070	FITTING, TEE, 10 MB, 10 MJ, 10 MJ	1	11429 -
8	F1-67350	FITTING, 90 ELBOW, 10 MB, 10 MJ	1	11429 -
9	F1-62250	FITTING, STRAIGHT, 12 MB, 10 MJ	1	11429 -
10	F3-83101	FITTING, TEST PORT TEE, 6 FJ, 6 MJ, 4 FB	1	11429 -
11	F1-67230	FITTING, 90 ELBOW, 4 MB, 4 MJ	1	11429 -
12	F1-62010	FITTING, STRAIGHT, 4 MB, 4 MJ	1	11429 -
13	F1-62120	FITTING, STRAIGHT, 8 MB, 4 MJ	1	11429 -
14	F1-18010	PLUG, HEX HEAD, 4 MB	1	11429 -

ZAMBONI 552AC
CONSOLIDATED PARTS LIST

3.2 – HYDRAULIC HOSES AND FITTINGS

LEGEND	
	FITTING
	HOSE ASSY

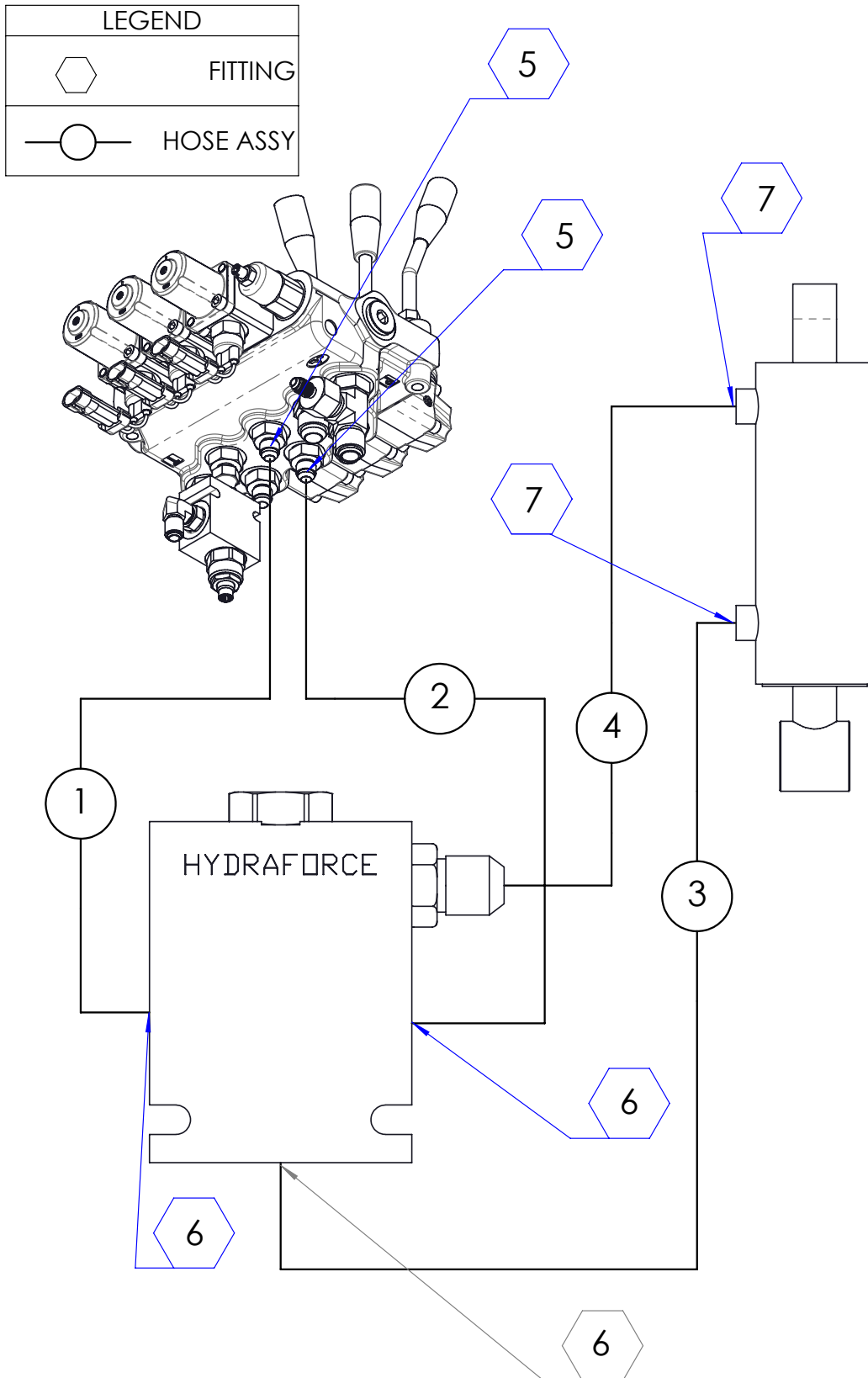


ZAMBONI 552AC
CONSOLIDATED PARTS LIST**3.2 – HYDRAULIC HOSES AND FITTINGS**

IND	PART NO.	DESCRIPTION	QTY	S/N RANGE
1	PJ-5312A	HOSE ASSY, 5/8 X 78	1	11429 -
2	PJ-5380A	HOSE ASSY, 5/8 X 95	1	11429 -
3	PJ-5292A	HOSE ASSY, 5/8 X 73	1	11429 -
4	PJ-3300A	HOSE ASSY, 3/8 X 75	1	11429 -
5	PJ-3144A	HOSE ASSY, 3/8 X 36	1	11429 -
6	F1-62160	FITTING, STRAIGHT, 8 MB, 10 MJ	1	11429 -
7	F1-62160	FITTING, STRAIGHT, 8 MB, 10 MJ	1	11429 -
8	F1-67350	FITTING, 90 ELBOW, 10 MB, 10 MJ	4	11429 -
9	F1-67260	FITTING, 90 ELBOW, 6 MB, 6 MJ	1	11429 -
10	F1-62090	FITTING, STRAIGHT, 6 MB, 6 MJ	1	11429 -
11	F1-62140	FITTING, STRAIGHT, 8 MB, 6 MJ	2	11429 -

ZAMBONI 552AC
CONSOLIDATED PARTS LIST

3.2 – HYDRAULIC HOSES AND FITTINGS

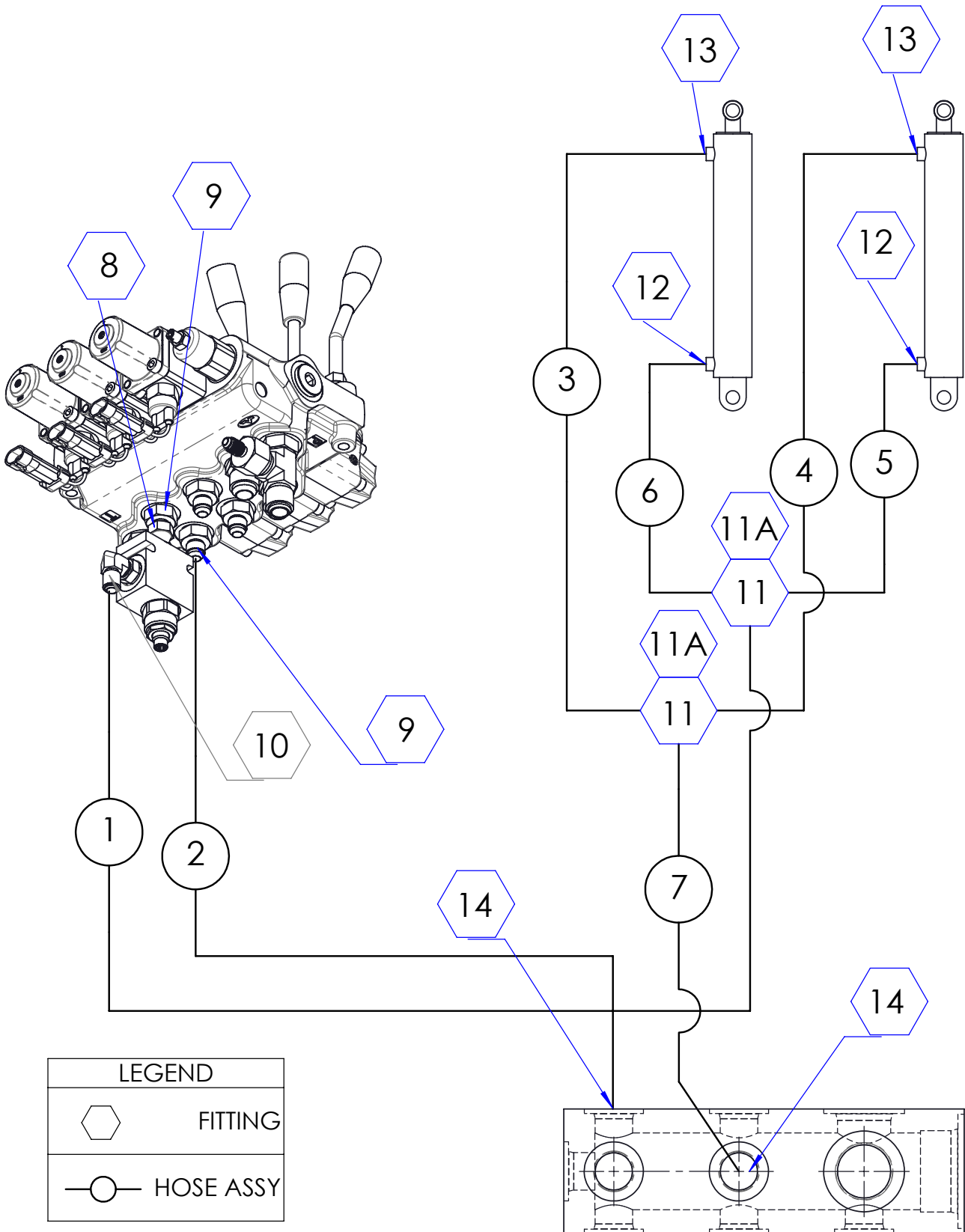


ZAMBONI 552AC
CONSOLIDATED PARTS LIST**3.2 – HYDRAULIC HOSES AND FITTINGS**

IND	PART NO.	DESCRIPTION	QTY	S/N RANGE
1	PJ-3124A	HOSE ASSY, 3/8 X 31	1	11429 -
2	PJ-3124A	HOSE ASSY, 3/8 X 31	1	11429 -
3	PJ-3156A	HOSE, ASSY, 3/8 X 39	1	11429 -
4	PJ-3144A	HOSE ASSY, 3/8 X 36	1	11429 -
5	F1-67290	FITTING, STRAIGHT, 8 MB, 6MJ	2	11429 -
6	F1-67260	FITTING, 90 ELBOW, 6 MB, 6MJ	3	11429 -
7	F3-74855	FITTING, 45 ELBOW, 8 MP, 6 MJ	2	11429 -

ZAMBONI 552AC
CONSOLIDATED PARTS LIST

3.2 – HYDRAULIC HOSES AND FITTINGS

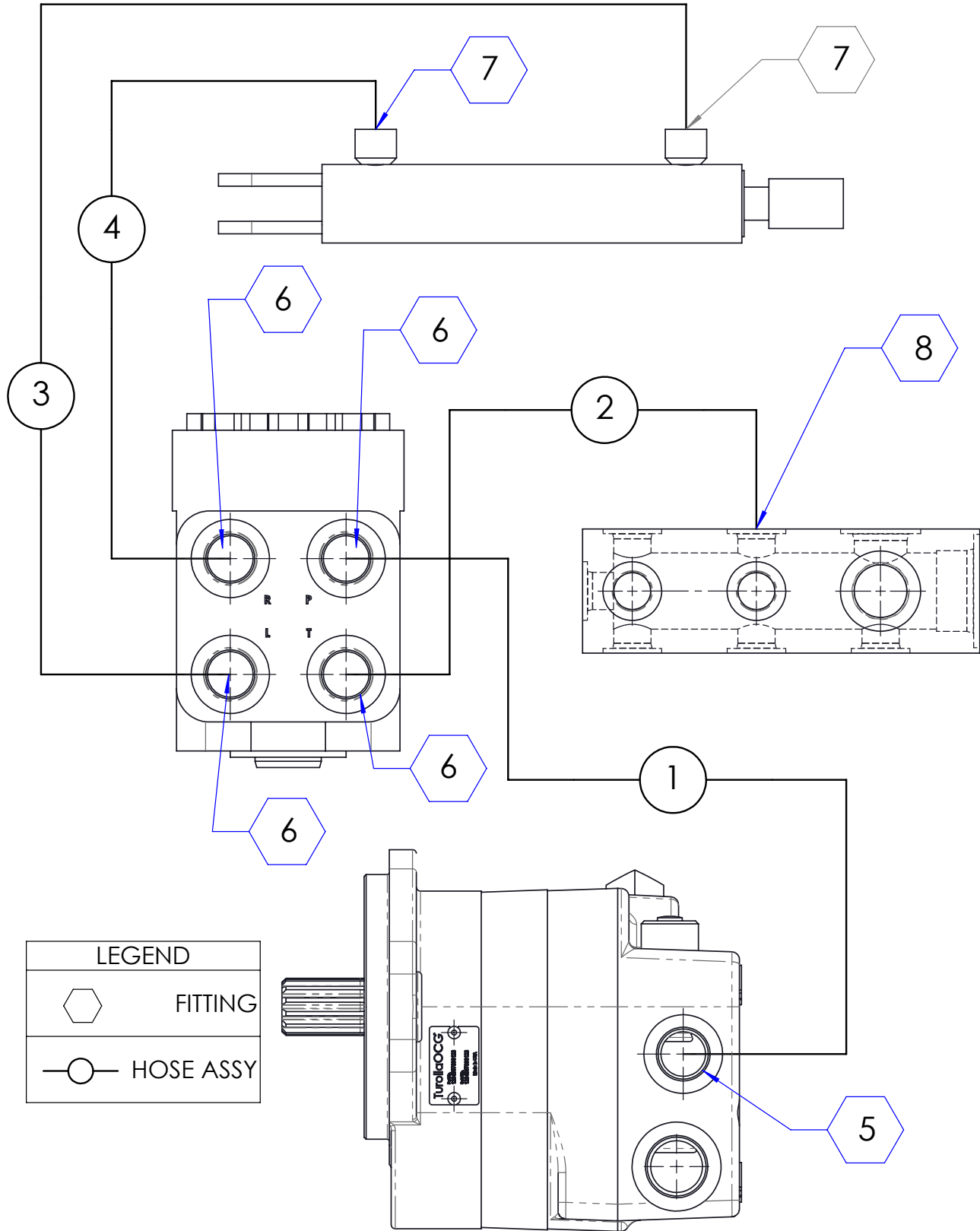


ZAMBONI 552AC
CONSOLIDATED PARTS LIST**3.2 – HYDRAULIC HOSES AND FITTINGS**

IND	PART NO.	DESCRIPTION	QTY	S/N RANGE
1	PJ-3580A	HOSE ASSY, 3/8 X 145	1	11429 -
2	PJ-3100C	HOSE ASSY, 3/8 X 25	1	11429 -
3	PJ-3276A	HOSE ASSY, 3/8 X 69	1	11429 -
4	PJ-3228A	HOSE ASSY, 3/8 X 57	1	11429 -
5	PJ-3248A	HOSE ASSY, 3/8 X 62	1	11429 -
6	PJ-3304A	HOSE ASSY, 3/8 X 76	1	11429 -
7	PJ-3480A	HOSE ASSY, 3/8 X 120	1	11429 -
8	F1-64190	FITTING, STRAIGHT, 6 MB, 6 FJS	1	11429 -
9	F1-62140	FITTING, STRAIGHT, 8 MB, 6 MJ	2	11429 -
10	F1-67260	FITTING, 90 ELBOW, 6 MB, 6 MJ	1	11429 -
11	F3-80605	FITTING, TEE, BULKHEAD BRANCH, 06 MJ, 06 MJ, 06 MJ	2	11429 -
11A	F3-0306E	BULKHEAD LOCKNUT, 06	2	11429 -
12	F3-67310	FITTING, 90 ELBOW, 8 MP, 6 MJ	2	11429 -
13	F3-62670	FITTING, STRAIGHT, 8 MP, 6 MJ	2	11429 -
14	F1-62140	FITTING, STRAIGHT, 8 MB, 6 MJ	2	11429 -

ZAMBONI 552AC
CONSOLIDATED PARTS LIST

3.2 – HYDRAULIC HOSE AND FITTING

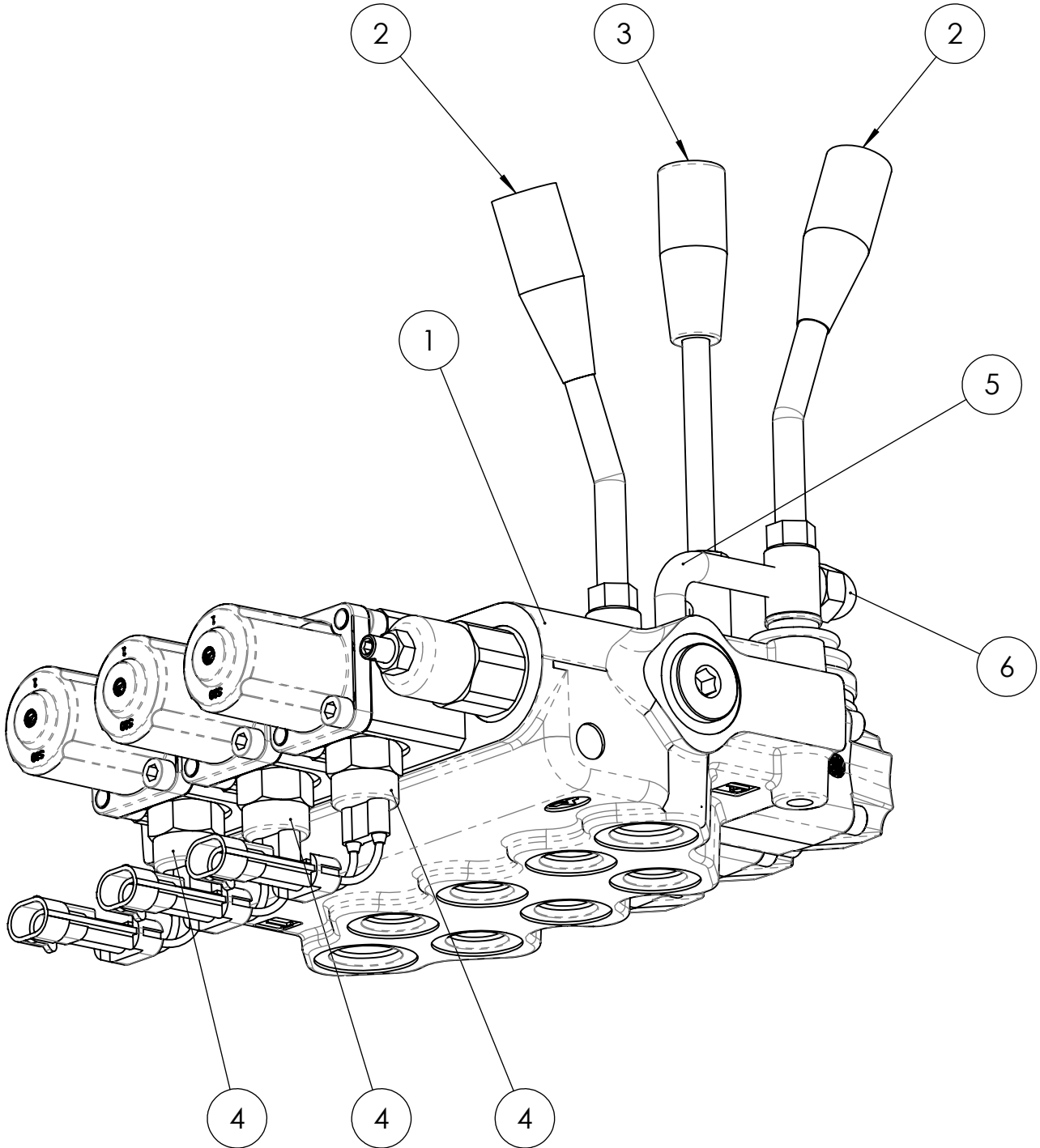


ZAMBONI 552AC
CONSOLIDATED PARTS LIST**3.2 – HYDRAULIC HOSE AND FITTING**

IND	PART NO.	DESCRIPTION	QTY	S/N RANGE
1	PJ-3256A	HOSE ASSY, 3/8 X 64	1	11429 -
2	PJ-3256A	HOSE ASSY, 3/8 X 64	1	11429 -
3	PJ-3832A	HOSE, ASSY, 3/8 X 208	1	11429 -
4	PJ-3864A	HOSE ASSY, 3/8 X 216	1	11429 -
5	F1-67290	FITTING, 90 ELBOW, 8 MB, 6 MJ	1	11429 -
6	F1-62140	FITTING, STRAIGHT, 8 MB, 6MJ	4	11429 -
7	F3-67300	FITTING, 90 ELBOW, 8 MP, 6 MJ	1	11429 -
8	F1-62140	FITTING, STRAIGHT, 8 MB, 6MJ	1	11429 -

ZAMBONI 552AC
CONSOLIDATED PARTS LIST

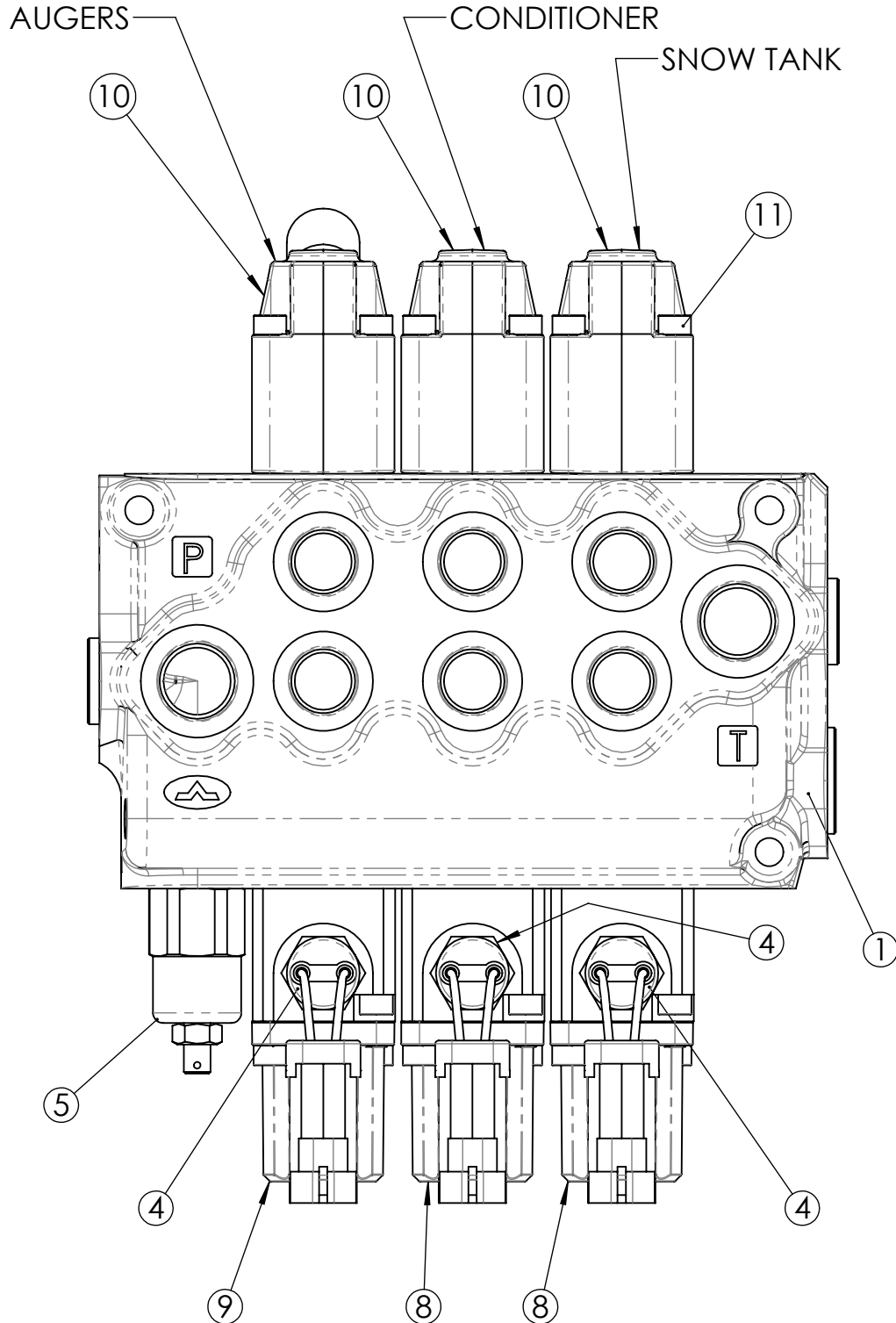
3.3 – HYDRAULIC CONTROL VALVES AND HAND PUMP



ZAMBONI 552AC
CONSOLIDATED PARTS LIST

3.3 – HYDRAULIC CONTROL VALVES AND HAND PUMP

(VIEW OF UNDERSIDE OF VALVE)

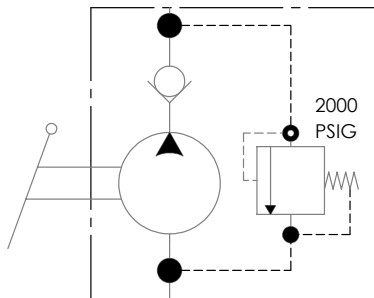
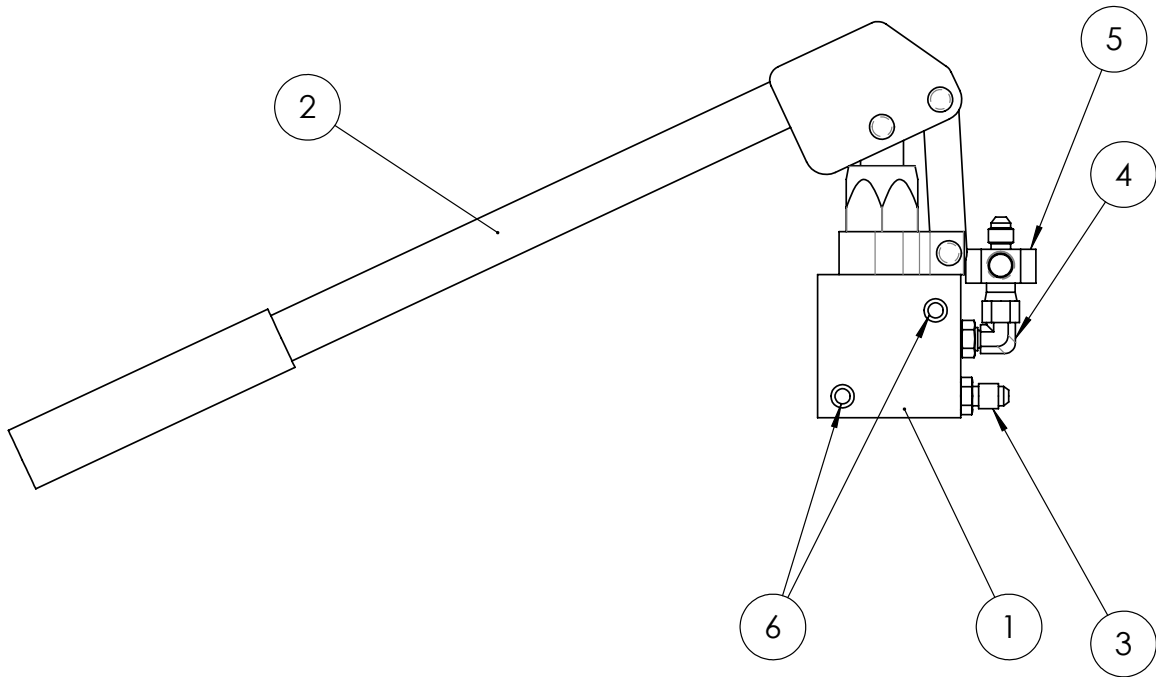


ZAMBONI 552AC
CONSOLIDATED PARTS LIST**3.3 – HYDRAULIC CONTROL VALVES AND HAND PUMP**

IND	PART NO.	DESCRIPTION	QTY	S/N RANGE
1	2V-76553	CONTROL VALVE, MAIN HYDRAULIC, 552 AC	1	11429 -
2	2V-75080	HANDLE, CTRL. VLV, 20 DEG. BEND WITH NUT	1	11429 -
3	2V-75070	HANDLE, CONTROL VALVE, STRAIGHT WITH NUT	1	11429 -
4	7P-76553	SWITCH, BALL TYPE, WALVOIL, 552AC/650	1	11429 -
5	2V-7665B	RELIEF VALVE, DIRECT ACTING, WALVOIL SD 11,552AC	1	11429 - 12601
	2V-7665A	RELIEF VALVE, PILOT, WALVOIL SD 11,552AC	1	12602 -
6	46-07195	VALVE HANDLE STOP, 552AC	1	11429 -
7	HM-17895	NUT, ACORN, M10, STAINLESS	1	11429 -
8	2V-75704	HYDRAULIC VALVE END CAP ASSY, SPRING RETURN	2	11429 -
9	2V-75705	HYDRAULIC VALVE END CAP ASSY, DETENT	1	11429 -
10	2V-75703	CONTROL VALVE LEVER BOX ASSY	3	11429 -
11	2V-75706	HEX CAP SCREW, CONTROL VALVE, 552AC	24	11429 -
11	2V-7655C	SEAL KIT, SD11 VALVE, 552AC	3	11429 -

ZAMBONI 552AC
CONSOLIDATED PARTS LIST

3.3 – HYDRAULIC CONTROL VALVES AND HAND PUMP

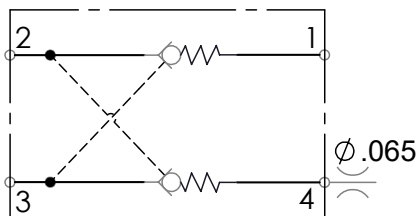
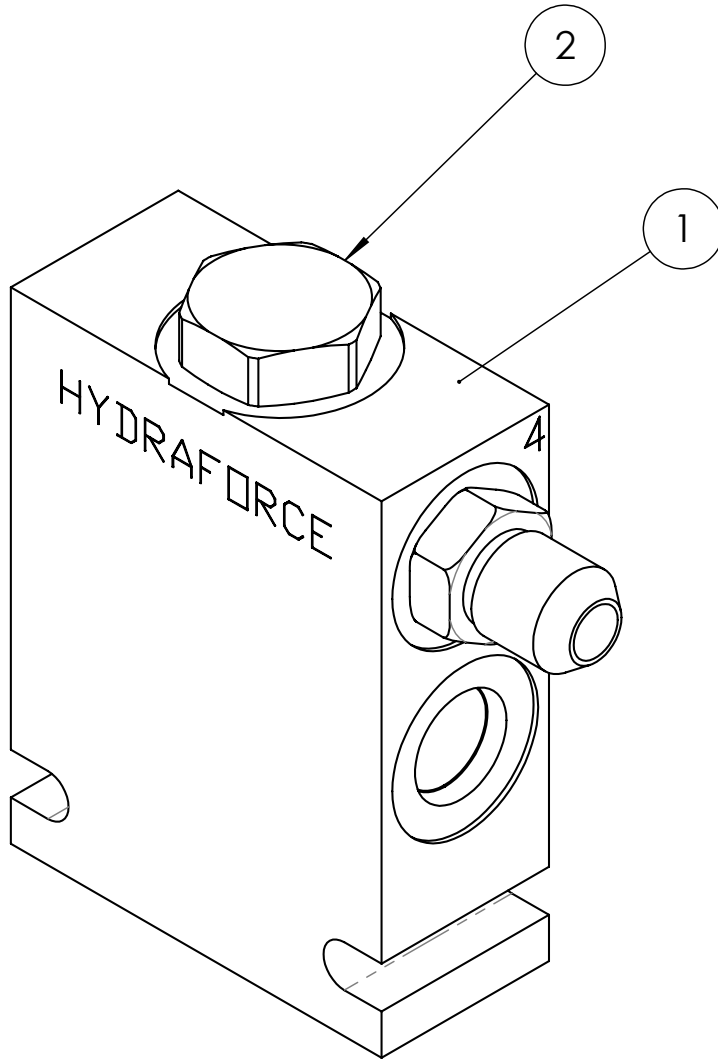


ZAMBONI 552AC
CONSOLIDATED PARTS LIST**3.3 – HYDRAULIC CONTROL VALVES AND HAND PUMP**

IND	PART NO.	DESCRIPTION	QTY	S/N RANGE
1	2P-20000	PUMP, HAND PUMP, HYD., 1/4" SAE PORTS	1	11429 -
2	2P-2000H	HANDLE, EMERGENCY HYD HAND OPERATED PUMP	1	11429 -
3	F1-62010	FITTING, STRAIGHT, 4 MB, 4 MJ	1	11429 -
4	F1-67230	FITTING, 90 ELBOW, 4 MB, 4 MJ	1	11429 -
5	F3-83101	FITTING, TEST PORT TEE, 6 FJ, 6 MJ, 4 FB	1	11429 -
6	HA-06116	1/4-20 X 2, SOCKET HEAD CAP SCREW	2	11429 -

ZAMBONI 552AC
CONSOLIDATED PARTS LIST

3.4 – CONDITIONER MANIFOLD



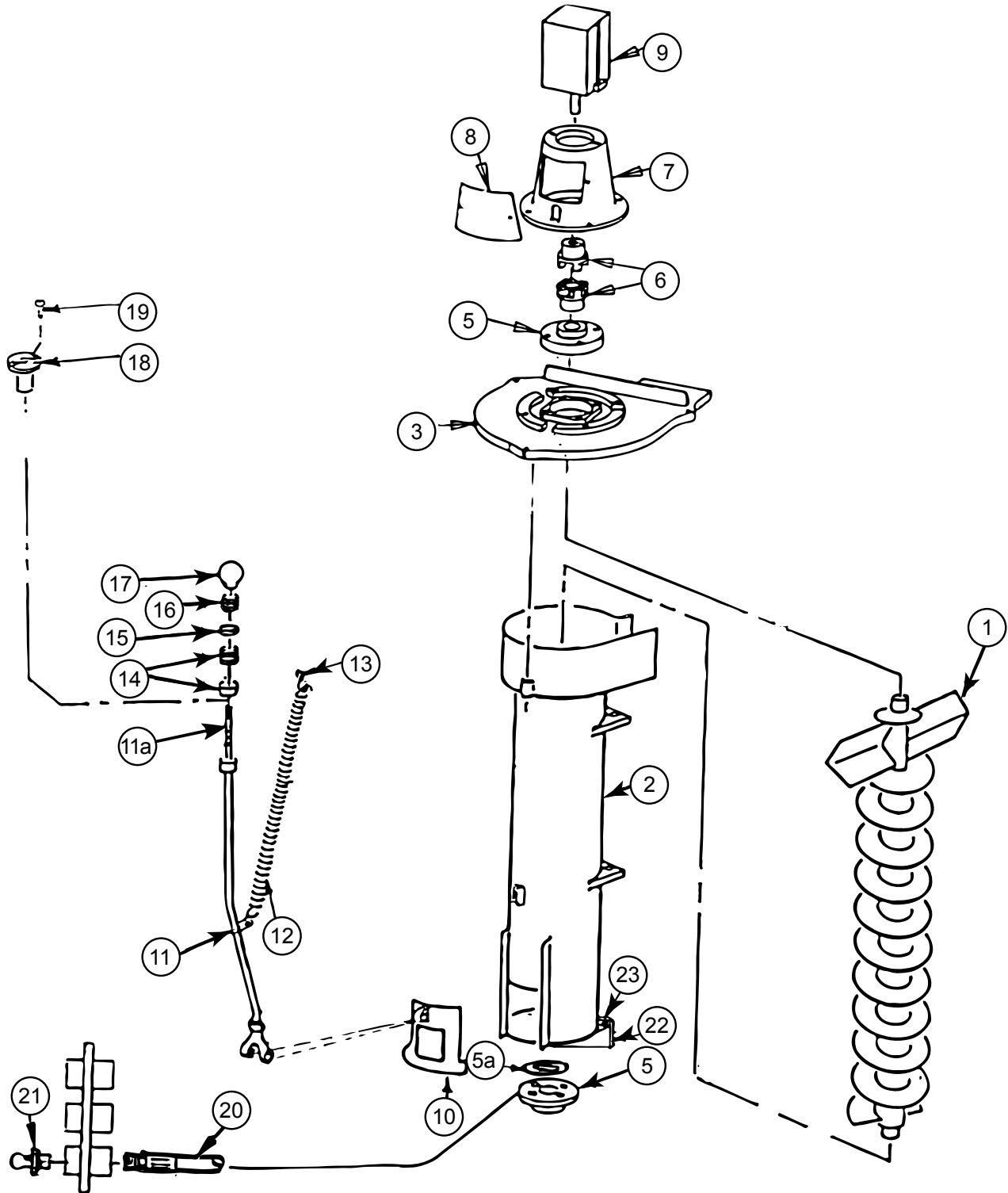
**ZAMBONI 552AC
CONSOLIDATED PARTS LIST**

3.4 – CONDITIONER MANIFOLD

IND	PART NO.	DESCRIPTION	QTY	S/N RANGE
1	2V-65220	MANIFOLD, CONDITIONER, 650/552AC	1	11429 -
2	2V-6522A	CONDITIONER CP CHECK VALVE, 552AC/650	1	11429 -

ZAMBONI 552AC
CONSOLIDATED PARTS LIST

GROUP 4.1 – VERTICAL CONVEYOR, SNOW BREAKER



ZAMBONI 552AC

CONSOLIDATED PARTS LIST

4.1 – VERTICAL CONVEYOR, SNOW BREAKER

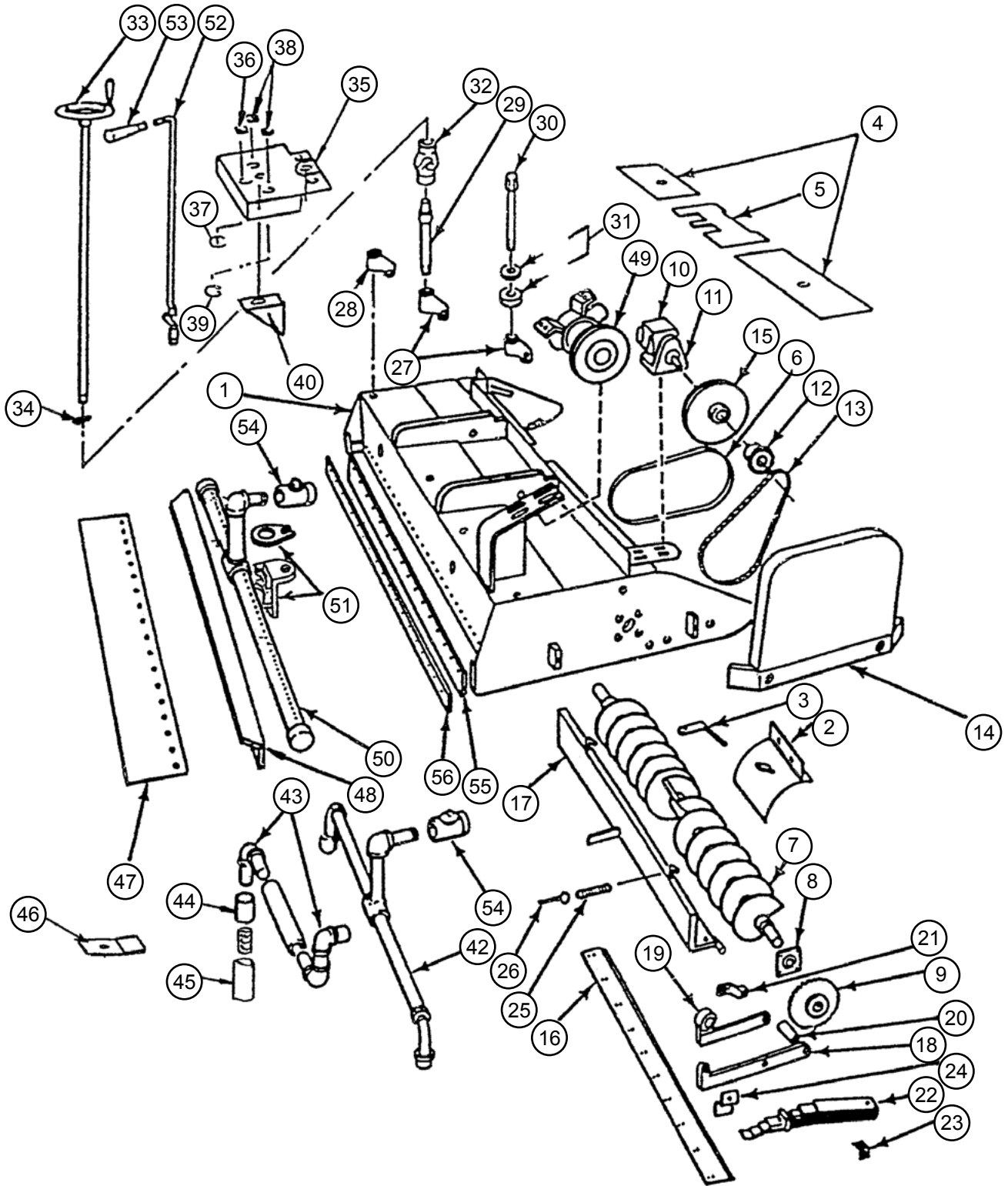
IND	PART NO.	DESCRIPTION	QTY	S/N RANGE
1	5A-69740	VERTICAL CONVEYOR	1	11429 -
	15-02108	KEY, 1/4 SQUARE X 1-1/4	1	11429 -
2	5A-06020	HOUSING, VERTICAL CONVEYOR	1	11429 -
	HA-10011	SCREW, HEX HEAD, 3/8-16 X 1	4	11429 -
	HA-10984	K-LOCKNUT, 3/8-16	4	11429 -
	49-50000	GUARD, VERTICAL AUGER, RIGHT SIDE	1	11429 -
	HF-10511	SCREW,SS,SKT BUTTON HD,3/8-16X1	2	11429 -
	HF-10861	WASHER,FLAT,SAE STD,3/8,S.S.	4	11429 -
	HF-10981	NYLON NUT, HEX LOCK, 3/8-16 , STAINLESS	2	11429 -
3	5A-05100	COVER, VERTICAL CONVEYOR	1	11429 -
	HA-10030	SCREW, HEX HD, 3/8-16 X 7	3	11429 -
	HA-1501S	SCREW, HEX HD, 1/2-20 X 3/8	3	11429 -
	HA-10980	NUT, HEX, 3/8-16	3	11429 -
	HA-10860	FLATWASHER, 3/8	3	11429 -
	HA-10861	FLATWASHER, SAE, 3/8	3	11429 -
	HA-10862	LOCKWASHER, 3/8	3	11429 -
4	1X-36642	BEARING, TOP	1	11429 -
	HF-10014	SCREW, HEX HD, 3/8-16 X 1-1/2	4	11429 -
	HA-10860	FLATWASHER, 3/8	4	11429 -
	1Z-1669B	GREASE FTG, 1/8" NPT, 1-3/4" LG (REXNORD BRG)	1	11429 -
5	1X-36642	BEARING, BOTTOM	1	11429 -
	HA-10014	SCREW, HEX HD, 3/8-16 X 1-1/2	4	11429 -
	HA-10862	LOCKWASHER, 3/8	4	11429 -
5A	HA-30870	FLATWASHER, 1-1/2	1	11429 -
6	2A-0400M	HALF COUPLING, AL, 1" BORE, 1/4" KEYWAY	1	11429 -
	2A-0400N	HALF COUPLING, AL, 3/4" BORE, 3/16 KEYWY	1	11429 -
	2A-0400L	INSERT,SIZE 28 COUPLING, ORANGE	1	11429 -
	15-02108	KEY, 1/4" SQ. x 1-1/4" LONG CARBON STEEL	1	11429 -
7	3M-11000	MOTOR MOUNT	1	11429-
	HA-10011	SCREW, HEX HD, 3/8-16 X 1	4	11429 -
	HA-10862	LOCKWASHER, 3/8	4	11429 -
	HA-10860	FLATWASHER, 3/8	4	11429 -
8	3M-11020	COVER, MOTOR MOUNT	1	11429 -
	HF-04206	SCREW, SS, BUTTON HD, 10-32 X 1/2	2	11429 -
	HA-03862	LOCKWASHER, #10	2	11429 -
9	2M-55240	HYDRAULIC MOTOR, PERMCO	1	11429 -
	2M-7453K	KIT, SEAL (PERMCO)	1	11429 -

ZAMBONI 552AC
CONSOLIDATED PARTS LIST**4.1 – VERTICAL CONVEYOR, SNOW BREAKER**

IND	PART NO.	DESCRIPTION	QTY	S/N RANGE
	HA-10011	SCREW, HEX HD, 3/8-16 X 1-1/4	2	11429 -
	HA-10981	LOCKNUT, 3/8-16	2	11429 -
10	5C-69630	SNOW BREAKER	1	11429 -
11	5C-16930	SNOW BREAKER CONTROL ROD	1	11429 -
11A	5C-16920	SNOW BREAKER EXTENSION	1	11429 -
12	1L-75450	SNOW BREAKER SPRING	1	11429 -
13	5T-71185	HOOK, SNOW BREAKER SPRING	2	11429 -
N/S	HA-1101S	ANCHOR BOLT	1	11429 -
N/S	HA-77100	RING	1	11429 -
14	8T-75380	RUBBER BUMPER	2	11429 -
15	HA-10860	FLATWASHER, 3/8	2	11429 -
17	4B-40830	KNOB	1	11429 -
18	13-19925	BUSHING	2	11429 -
19	HF-04309	SCREW, SS, SOCKET FLAT HD, 10-32 X 3/4	1	11429 -
20	PL-0135B	HOSE, LUBRICATION, 1/8-53	1	11429 -
N/S	PL-0404B	HOSE, LUBRICATION, 1/8 X 101	1	11429 -
21	1Z-01580	GREASE FITTING, 1/8 NPT	1	11429 -
22	5A-06036	SNOW FLAP, RUBBER	1	11429 -
23	5A-06037	BRACKET, SNOW FLAP RUBBER	1	11429 -
	HA-06009	SCREW, HEX HD, 1/4-20 X 3/4	3	11429 -
	HA-06862	LOCKWASHER, 1/4	3	11429 -
	HA-06860	FLATWASHER, 1/4	3	11429 -
	HA-06980	NUT, HEX, 1/4-20	3	11429 -

ZAMBONI 552AC
CONSOLIDATED PARTS LIST

GROUP 5.1 – CONDITIONER (FRAME, BLADE, AND WATER SYSTEM)



ZAMBONI 552AC

CONSOLIDATED PARTS LIST

5.1 – CONDITIONER (FRAME, BLADE, AND WATER SYSTEM)

IND	PART NO.	DESCRIPTION	QTY	S/N RANGE
CONDITIONER FRAME				
1	5H-75160	CONDITIONER FRAME, EXTERNAL BEARING	1	11429 -
N/S	5H-0501A	POLY SIDE PLATE (OPTIONAL)	1	11429 -
	HA-06308	SCREW, SKT FLAT HD, 1/2-20 X 5/8	9	11429 -
	HA-06611	SCREW, SKT FLAT HD, 1/2-20 X 1	1	11429 -
2	49-39590	SNOW SHIELD	1	11429 -
3	5T-10210	BRACKET	1	11429 -
4	46-77492	CONDTIONER END COVER, PERF	2	11429 -
5	46-39762	CONDITIONER CENTER COVER, PERF	1	11429 -
6	42-75440	BELT, V, 3L, POWER-TWIST (77 LINKS)	51"	11429 -
7	5A-38250	HORIZONTAL CONVEYOR, 3-1/2" PADDLE	1	11429 -
8	1X-33490	BEARING	2	11429 -
9	43-4042A	SPROCKET	1	11429 -
	43-0916A	BUSHING	1	11429 -
	15-02116	KEY	1	11429 -
10	2M-55220	HORIZONTAL AUGER MOTOR, SAUER	1	11429 -
	2M-55230	HORIZONTAL AUGER MOTOR, HALDEX	1	11429 -
	2M-55240	HORIZONTAL AUGER MOTOR, PERMCO	1	11429 -
	2M-7453K	KIT, SEAL (PERMCO)	1	11429 -
11	2M-53150	FOOTMOUNT	1	11429 -
		(*JACK BOLTS, QTY (2) EA: HA-12719, HA-12980, HA-12862, HA-12860)		
12	43-39290	SPROCKET	1	11429 -
13	44-4078A	CHAIN	1	11429 -
14	49-72090	GUARD, CONVEYOR CHAIN	1	11429 -
	2H-08000	TAPE, ANTI-SLIP (FEET)	2.7	11429 -
15	KZ-7717A	KIT, SHEAVE & BUSHING	1	11429 -
	41-77240	SHEAVE, 10" DIA	1	11429 -
	41-77210	BUSHING	1	11429 -
	HF-06113	SCREW	2	11429 -
	HF-07813	LOCK WASHER	2	11429 -
	49-77220	GUARD	1	11429 -
	49-77099	GUARD, HORIZ AUGER DRIVE SPROCKET	1	11429 -

ZAMBONI 552AC

CONSOLIDATED PARTS LIST

5.1 – CONDITIONER (FRAME, BLADE, AND WATER SYSTEM)

IND	PART NO.	DESCRIPTION	QTY	S/N RANGE
<u>CONDITIONER BLADE</u>				
16	5K-33630	BLADE	1	11429 -
	HF-14316	SCREW, S/S SKT FLAT HD, 1/2-13 X 2	10	11429 -
	HF-14862	LOCKWASHER, S/S, 1/2	10	11429 -
	HF-14980	NUT, S/S, HEAVY HEX, 1/2-3	10	11429 -
17	5K-78890	BLADE SUPPORT	1	11429 -
18	5F-33410	LEFT FULCRUM ARM	1	11429 -
	5F-33420	RIGHT FULCRUM ARM	1	11429 -
19	5F-33450	BLADE HAMMER ARM	2	11429 -
20	13-22160	SPACER	2	11429 -
	HA-18318	SCREW, FLAT HD SKT, 5/8-11 X 2-1/2	1	11429 -
	HA-18018	SCREW, HEX HD, 5/8-11 X 2-1/2	1	11429 -
	HA-18860	WASHER, FLAT, 5/8	2	11429 -
	HA-18987	NUT, 5/8-11	2	11429 -
21	5T-10220	BRACKET, SUPPORT HAMMER ARM	2	11429 -
22	1L-33481	SPRING	2	11429 -
	HD-2251L	SETSCREW, SQ HD, 3/4-10 X 3	2	11429 -
23	5T-16100	BRACKET	2	11429 -
	HA-14986	NUT, HEX FLEXLOCK, 1/2-13	4	11429 -
	HA-14313	SCREW, FLAT HD, 1/2-13 X 1-1/4	1	11429 -
	HA-14013	SCREW, HEX HD, 1/2-13 X 1-1/4	2	11429 -
25	1L-33580	SPRING	2	11429 -
26	HC-1011X	EYEBOLT & NUT	2	11429 -
	HA-10980	NUT, 3/8-16	2	11429 -
27	36-33930	CLEVIS ASSY, RH & CENTER	2	11429 -
	36-3393B	CLEVIS ASSY, RH & CENTER	2	11429 -
28	36-3393A	CLEVIS ASSY, LH	1	11429 -
	36-3393C	CLEVIS ASSY, LH	1	11429 -
	HA-12015	SCREW, HEX HD, 7/16-14 X 1-1/4	3	11429 -
	HA-12981	NUT, 7/16-14	3	11429 -
	16-35000	CLEVIS PIN, 1/2 X 1-1/2	3	11429 -
	1Z-01620	GREASE FITTING	3	11429 -
29	5F-33510	BLADE ANGLE ADJ SCREW (W/LOCK BOLT)	1	11429 -
	HF-08009	SCREW, SS, HEX HD, 5/16-18 X 3/4	1	11429 -
	HA-08860	FLATWASHER, 5/16	1	11429 -
	HA-08862	LOCKWASHER, 5/16	1	11429 -
30	5F-37340	SCREW, BLADE HEIGHT ADJUSTMENT	2	11429 -

ZAMBONI 552AC
CONSOLIDATED PARTS LIST**5.1 – CONDITIONER (FRAME, BLADE, AND WATER SYSTEM)**

IND	PART NO.	DESCRIPTION	QTY	S/N RANGE
<u>CONDITIONER BLADE - CONTINUED</u>				
31	5K-33640	KIT, BEARING & WASHERS	2	11429 -
32	2B-33570	U-JOINT, BLADE ADJUSTMENT	1	11429 -
	15-01100	KEY	1	11429 -
	15-01016	KEY	1	11429 -
33	4C-1873A	HANDLEWHEEL & ROD	1	11429 -
34	1X-0440A	BEARING, BLADE ADJUSTING, HANDWHEEL	1	11429 -
35	38-16530	GUIDE	1	11429 -
36	4X-0500B	NYLON GROMMET	1	11429 -
37	HA-7080A	SNAP RING	1	11429 -
38	4X-0500C	NYLON GROMMET	2	11429 -
39	HA-7056A	SNAP RING	2	11429 -
40	5T-40030	BRACKET	1	11429 -
	HA-08981	NUT, HEX LOCK, 5/16-18	1	11429 -
	HA-08862	LOCKWASHER, 5/16	2	11429 -
	HA-08860	FLATWASHER, 5/16	1	11429 -
	HA-08009	SCREW, HEX HD, 5/16-18 X 3/4	3	11429 -

ZAMBONI 552AC

CONSOLIDATED PARTS LIST

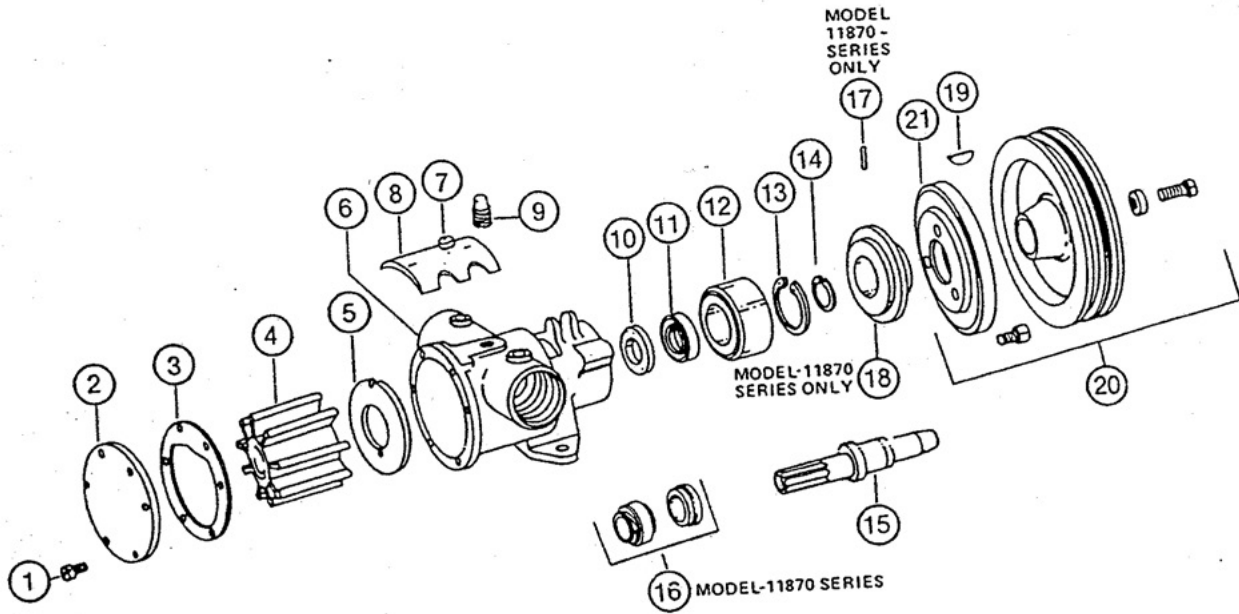
5.1 – CONDITIONER (FRAME, BLADE, AND WATER SYSTEM)

IND	PART NO.	DESCRIPTION	QTY	S/N RANGE
<u>CONDITIONER WATER SYSTEM</u>				
42	5X-70690	WASH WATER DISCHARGE ASSY	1	11429 -
43	KZ-72270	WASH WATER SUCTION ASSY	1	11429 -
44	2V-10050	CHECK VALVE	1	11429 -
45	RE-5012A	HOSE, 1-5/8 X 3-1/2	1	11429 -
	27-2028A	CLAMP, 1-5/8 HOSE	1	11429 -
46	5T-10180	BRACKET, WASH WATER DISCHARGE	1	11429 -
47	5P-33620	WATER SPREADER, WHITE	1	11429 -
(ALT)	5P-33630	WATER SPREADER, BLACK	1	11429 -
	HF-08311	SCREW, SKT FLAT HD, 5/16-18 X 1	17	11429 -
(ALT)	HF-08309	SCREW, S.S. SKT FLAT HEAD, 5/16-18 X 3/4	17	11429 -
	HF-08904	LOCKNUT, 5/16-18	17	11429 -
48	5R-33600	BAR, WATER SPREADER SUPPORT	1	11429 -
49	2P-37570	PUMP, WASH WATER	1	11429 -
	HA-10981	NUT, HEX LOCK, 3/8-16	4	11429 -
	HA-10013	SCREW, HEX HD, 3/8-16 X 1-1/4	4	11429 -
	49-04010	COVER, CHAIN GUARD (USED ONLY W/OUT WATER PUMP)	1	11429 -
50	5X-70680	ICE MAKING WATER DISCHARGE ASSY	1	11429 -
51	5T-10170	BRACKET, ICE MAKING WATER ASSY	1	11429 -
52	4E-16490	ROD, WATER VALVE CONTROL	2	11429 -
53	4B-31460	KNOB, CONTROL ROD HANDLE	2	11429 -
54	2V-79701	VALVE, BALL, 1-1/4	2	11429 -
	KZ-79701	KIT, VALVE STEM NUT	1	11429 -
55	5M-33550	SQUEEGEE	1	11429 -
56	1M-33560	STRAP, SQUEEGEE HOLDING	1	11429 -
	HF-10981	NUT, HEX, SS, NYLOCK, 3/8-16	19	11429 -
	HF-10013	SCREW, SS, HEX HD, 3/8-16 X 1-1/4	19	11429 -

ZAMBONI 552AC
CONSOLIDATED PARTS LIST

5.1 – CONDITIONER (FRAME, BLADE, AND WATER SYSTEM)

WASH WATER PUMP



**ZAMBONI 552AC
CONSOLIDATED PARTS LIST**

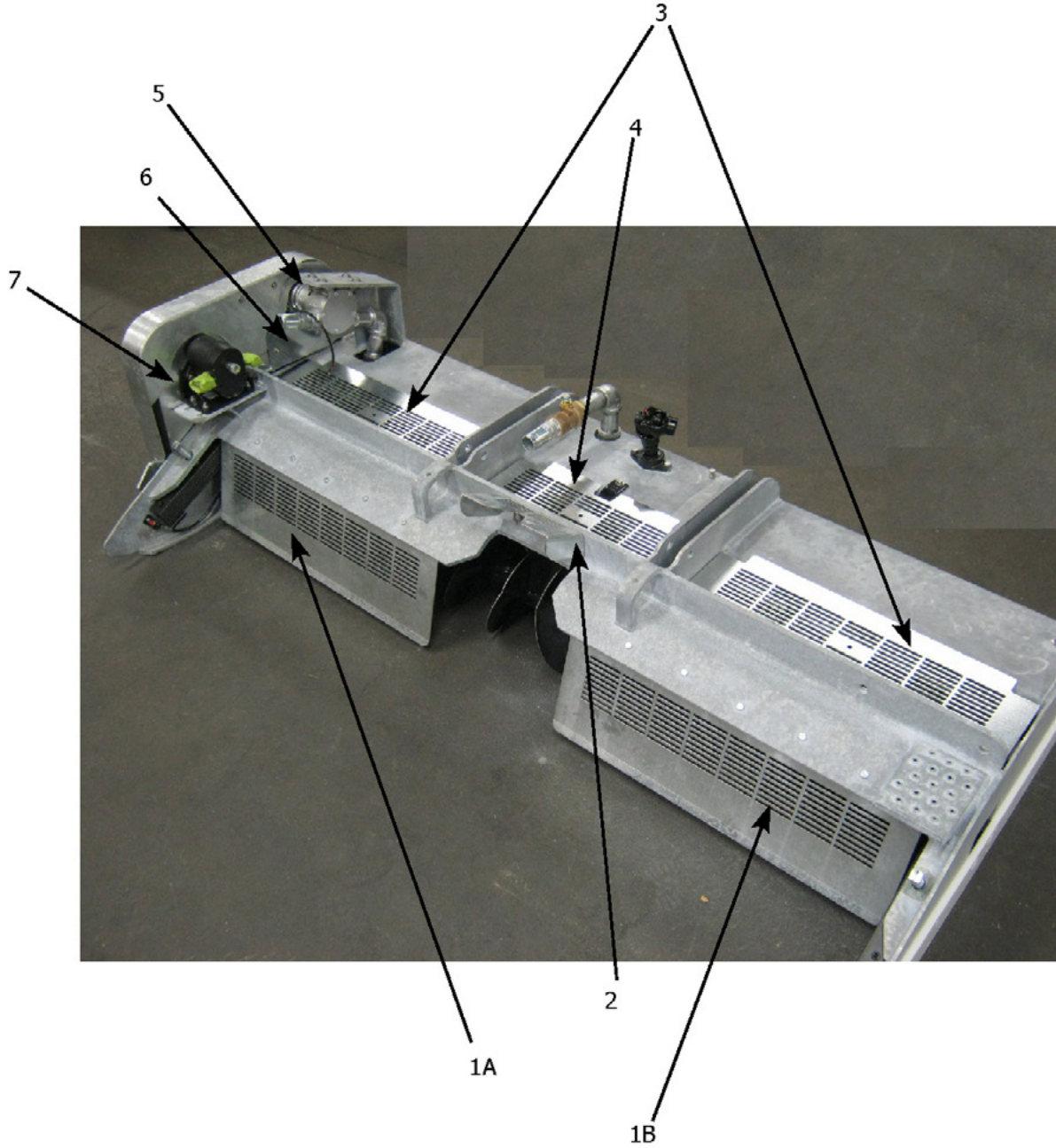
5.1 – CONDITIONER (FRAME, BLADE, AND WATER SYSTEM)

IND	PART NO.	DESCRIPTION	QTY	S/N RANGE
<u>WASH WATER PUMP</u>				
	2P-37570	COMPLETE WASH WATER PUMP	1	11429 -
1	00-09366	SCREW (END COVER)	5	11429 -
2	00-09358	END COVER	1	11429 -
3	00-00816	GASKET	1	11429 -
4	2P-33850	IMPELLER (RUBBER)	1	11429 -
5	00-00819	WEAR PLATE	1	11429 -
6	2P-37575	BODY, BRONZE, 1 1/4" WATER PUMP	1	11429 -
7	NPN	SCREW (CAM)	1	11429 -
8	00-09367	CAM, BRASS	1	11429 -
9	NPN	PIPE PLUG	2	11429 -
10	2P-3757A	SLINGER	1	11429 -
11	00-00817	SEAL (BEARING)	1	11429 -
12	00-09404	BALL BEARING (PUMP)	1	11429 -
13	HA-7152A	RETAINING RING (BEARING TO BODY)	1	11429 -
14	HA-7076A	RETAINING RING (BEARING TO SHAFT)	1	11429 -
15	19-07000	SHAFT	1	11429 -
16	00-09359	SEAL, SHAFT	1	11429 -
17	NPN	ROLL PIN (ADAPTER)	2	11429 -
18	2P-37580	ADAPTER, WATER PUMP	1	11429 -
19	15-70505	KEY, CLUTCH DRIVE	1	11429 -
20	2A-6000H	CLUTCH ASSYS, COMPLETE, 12V	1	11429 -
21	8F-37470	FIELD COIL (REPLACEMENT)	1	11429 -
	1X-6000H	BEARING, CLUTCH	1	11429 -
	00-03758	KIT, GENERAL WATER PUMP REPAIR (INCLUDES ITEMS 1,2,3,5,8,16)		
	00-03759	KIT, WATER PUMP SHAFT REPLACEMENT (INCLUDES ITEMS 1,11,12,15,16,19)		
	00-03760	KIT, WATER PUMP SERVICE (INCLUDES ITEMS 4,16)		
	84-37570	PULLER, IMPELLER		
		NPN = NO PART NUMBER		
		N/S = NOT SHOWN		

ZAMBONI 552AC
CONSOLIDATED PARTS LIST

5.1 – CONDITIONER (FRAME, BLADE, AND WATER SYSTEM)

CONDITIONER GUARDS



ZAMBONI 552AC

CONSOLIDATED PARTS LIST

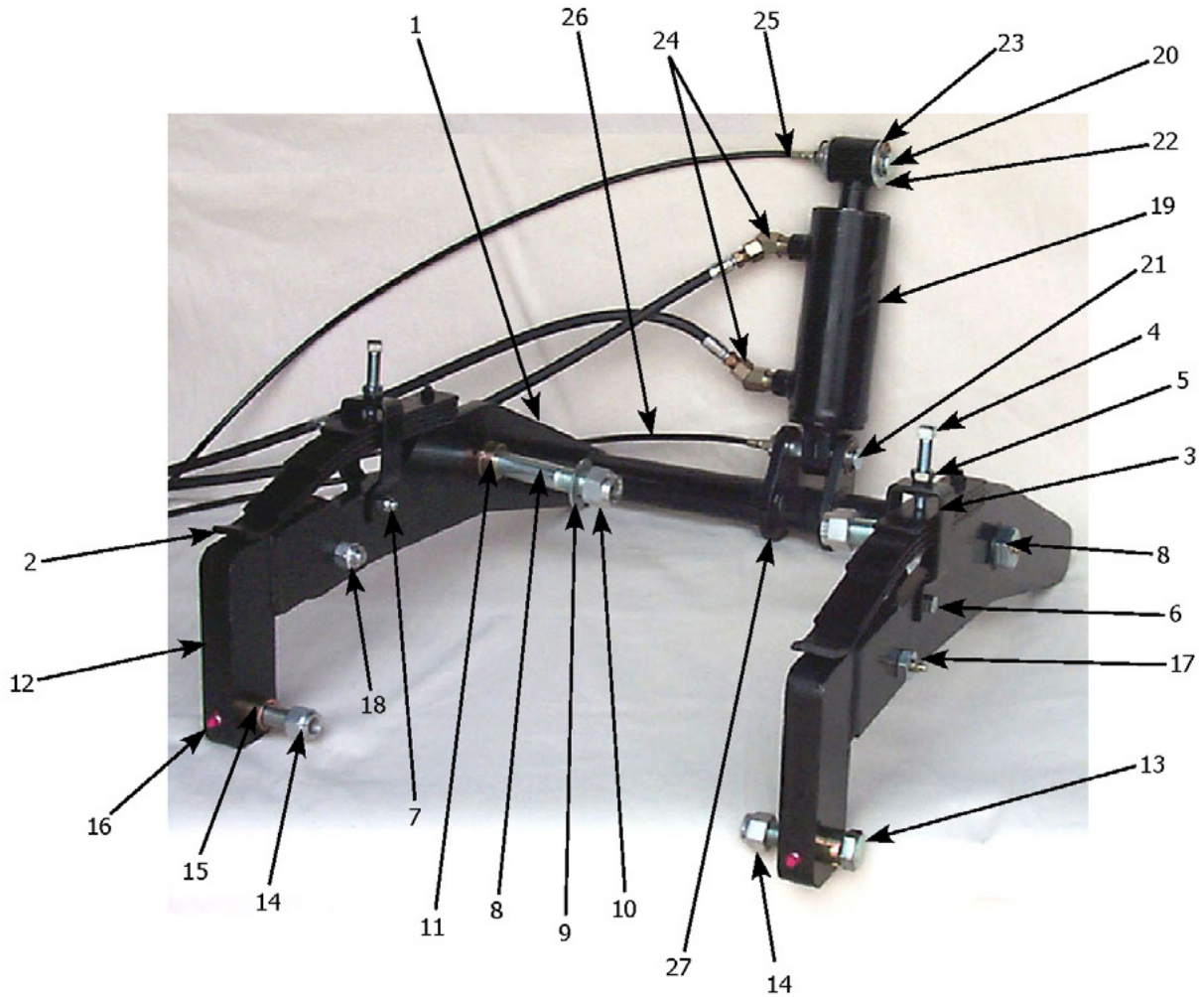
5.1 – CONDITIONER (FRAME, BLADE, AND WATER SYSTEM)

IND	PART NO.	DESCRIPTION	QTY	S/N RANGE
<u>CONDITIONER GUARDS</u>				
1A	46-77500	GUARD, HORIZ AUGER, FRONT RIGHT	1	11429 -
1B	46-77505	GUARD, HORIZ AUGER, FRONT LEFT	1	11429 -
	HF-08013	SCREW, HEX HEAD, 5/16-18 x 1-1/4" S.S.	10	11429 -
	HF-06860	WASHER, FLAT, 1/4, S.S.	10	11429 -
	HD-08862	NYLON FLAT WASHER, 5/16" ID x .062 THICK	10	11429 -
	HF-08860	WASHER, FLAT, 5/16", STAINLESS STEEL	10	11429 -
	HF-08904	LOCKNUT, NYLON INSERT 5/16-18,SS	10	11429 -
2	46-77510	GUARD, VERTICAL AUGER INLET	1	11429 -
	HF-10014	SCR, HEX HD, 3/8-16X1.5, GR 5, S.S.	2	11429 -
	HF-10860	WASHER, FLAT, 3/8, S.S.	2	11429 -
	HF-10981	NYLON NUT, HEX LOCK, 3/8-16, STAINLESS	2	11429 -
3	46-77492	COVER, OUTER, CONDITIONER, PERF	2	11429 -
4	46-39762	COVER, CENTER, CONDITIONER, PERF	1	11429 -
	HF-08512	SCREW, SS, PAN, PHILLIPS, 5/16-18 x 1.25	6	11429 -
	HF-08904	LOCKNUT, NYLON INSERT 5/16-18,SS	6	11429 -
5	49-72097	GUARD, WASHWATER PUMP	1	11429 -
	HF-06505	SCREW, SS, HX HD, 1/4-20X3/4	3	11429 -
	HF-06861	WASHER, FLAT, 1/4, SAE, S.S.	3	11429 -
	HD-13861	WASHER, FLAT, NYLON, 1/4"	3	11429 -
	HF-06860	WASHER, FLAT, 1/4, S.S.	3	11429 -
	HF-06510	NUT, HEX LOCK, SS, 1/4-20	3	11429 -
6	49-72098	SHIELD, WASHWATER PUMP	1	11429 -
	HF-06505	SCREW, SS, HX HD, 1/4-20X3/4	2	11429 -
	HF-06861	WASHER, FLAT, 1/4, SAE, S.S.	2	11429 -
	HF-06862	LOCKWASHER, 1/4, SPLIT LOCK, S.S.	2	11429 -
	HA-06900	SPEED NUT, "J" STYLE, 1/4-20 PLATED	2	11429 -
7	49-72099	GUARD, HORIZ AUGER DRIVE SPROCKET	1	11429 -
	HF-10982	JAM NUT, THIN PATT, HEX, 3/8-16, S.S.	2	11429 -

ZAMBONI 552AC
CONSOLIDATED PARTS LIST

5.2 – CONDITIONER LIFT

CONDITIONER LIFT

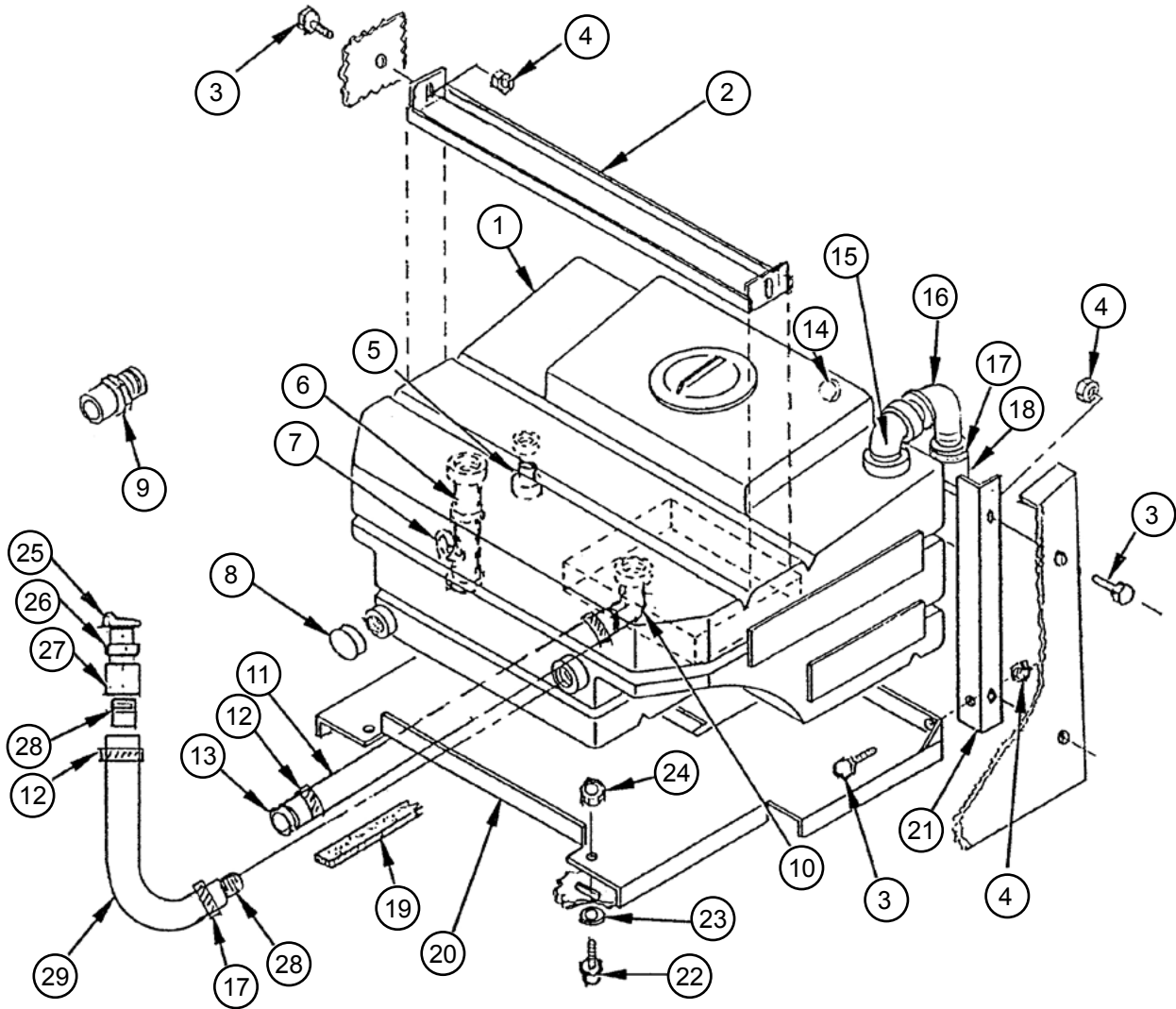


ZAMBONI 552AC
CONSOLIDATED PARTS LIST**5.2 – CONDITIONER LIFT**

IND	PART NO.	DESCRIPTION	QTY	S/N RANGE
	5J-7777A	LIFT BAR ASSEMBLY	1	11429 -
1	5J-77770	LIFT BAR	1	11429 -
2	1L-67540	SPRING	2	11429 -
3	38-77770	GUIDE, COND LEAF SPRING	2	11429 -
4	HD-1451F	SET-SCREW, 1/2-13 X 2-1/2	2	11429 -
5	HA-14982	NUT, HEX, 1/2-13	2	11429 -
6	HA-10015	SCREW, HEX HD, 3/8-16 X 1-3/4	2	11429 -
7	HA-10981	LOCKNUT, HEX, 3/8-16	2	11429 -
8	HD-3062D	SCREW	2	11429 -
N/S	10-4828A	TENSION BUSHING (INSIDE THE HOLES ON THE LIFT BAR)	2	11429 -
9	HA-30861	WASHER, FLAT, 1	1	11429 -
10	HA-30986	LOCKNUT, 1-8	2	11429 -
11	10-39610	BUSHING	2	11429 -
12	5J-04020	YOKE, LIFT ARM	2	11429 -
13	HA-22021	SCREW	2	11429 -
14	HA-22986	NUT, 3/4-10	2	11429 -
15	10-2424A	BUSHING	2	11429 -
16	1Z-01580	GREASE FITTING, 1/8 NPT	2	11429 -
17	HD-1861F	SCREW	2	11429 -
18	HA-18986	NUT, 5/8-11	2	11429 -
N/S	10-71300	BUSHING (INSIDE THE HOLES ON THE LIFT BAR)	2	11429 -
19	2X-3005A	CYLINDER	1	11429 -
20	16-70560	PIN	1	11429 -
21	16-70570	PIN	1	11429 -
22	HA-30861	WASHER, FLAT, 1	2	11429 -
23	HA-7064A	E-RING	2	11429 -
24	F3-74855	FITTING	2	11429 -
25	PL-0120B	HOSE, LUBRICATION	1	11429 -
26	PL-0130B	HOSE, LUBRICATION	1	11429 -
27	10-3220B	TENSION BUSHING (2 PCS UNDER THE WASH WATER TANK)	4	11429 -
	KZ-09099	BUSHING & BOLT KIT, LIFT BAR	1	11429 -

ZAMBONI 552AC
CONSOLIDATED PARTS LIST

GROUP 6.1 – ICE WATER TANK

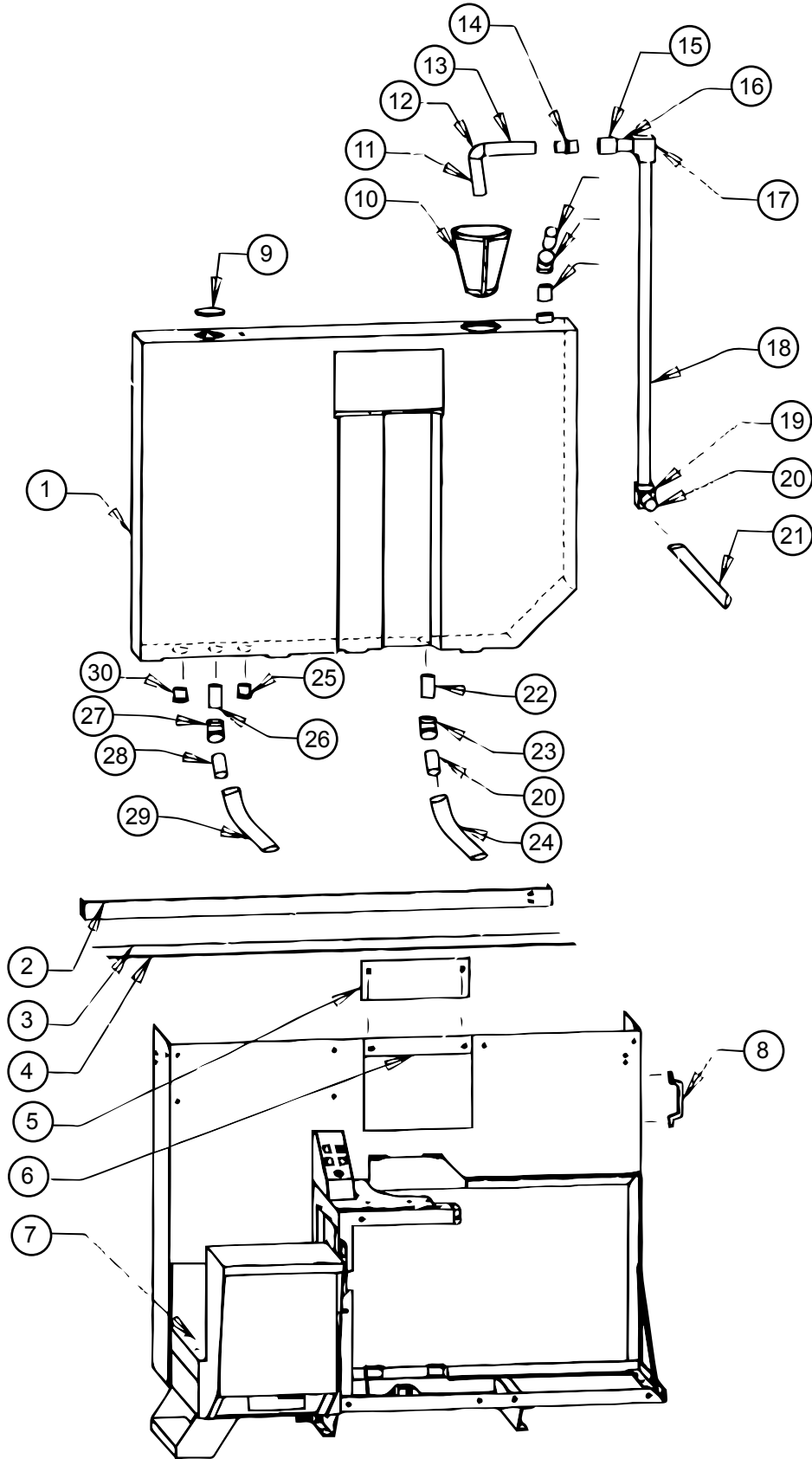


ZAMBONI 552AC
CONSOLIDATED PARTS LIST**6.1 – ICE WATER TANK**

IND	PART NO.	DESCRIPTION	QTY	S/N RANGE
1	7A-0530B	ICE MAKING WATER TANK, LINEAR	1	11429 -
	KZ-0703B	KIT, ICE MAKING WATER TANK & TRAY	1	11429 -
2	7A-05204	CHANNEL	1	11429 -
3	HA-08011	SCREW, HEX HD, 5/16-18 X 1	8	11429 -
4	HA-08981	NUT, HEX LOCK, 5/16-18	8	11429 -
5	FP-0800A	PLUG	1	11429 -
6	FT-46048	NIPPLE	1	11429 -
7	2V-33240	VALVE	1	11429 -
8	FV-09162	PLUG	1	11429 -
9	FP-2426B	CONNECTOR	1	11429 -
10	FF-04360	STREET ELBOW, 1½ X 90°	1	11429 -
	FD-15220	REDUCING BUSHING, 1½ X 1¼	1	11429 -
	FW-10080	COMB. NIPPLE, 1½ HOSE X 1¼ NPT	1	11429 -
11	RC-4146A	HOSE, KANAFLEX, 1-1/2 X 62	1	11429 -
12	27-2032A	HOSE CLAMP	2	11429 -
13	FW-43652	NIPPLE	1	11429 -
14	FV-09164	PLUG	1	11429 -
15	FP-32001	FITTING	1	11429 -
16	FP-3232A	FITTING	1	11429 -
17	27-2036A	CLAMP	3	11429 -
18	RC-43096	HOSE, KANAFLEX, 2 X 24	1	11429 -
19	SF-00120	SEAL	8	11429 -
20	7A-00552	TRAY, WATER TANK	1	11429 -
21	7A-05220	SUPPORT	1	11429 -
22	HA-14013	SCREW, HEX HD, 1/2-13 X 1-1/4	4	11429 -
23	HA-14860	WASHER, FLAT, 1/2	4	11429 -
24	HA-14986	NUT, 1/2-13	4	11429 -
25	7D-68400	CAP, WATER FILL PIPE	1	11429 -
26	13-68380	SPACER, WATER FILL PIPE	1	11429 -
27	FF-13410	COUPLING	1	11429 -
28	FP-3232B	CONNECTOR	2	11429 -
29	RC-42220	HOSE, KANAFLEX, 2 X 55	1	11429 -
N/S	5T-16065	BRACKET, WATER TRAY MTG, NO BOARD BRUSH	1	11429 -

ZAMBONI 552AC
CONSOLIDATED PARTS LIST

6.2 – PLASTIC WASH WATER TANK W/OUT TRANSFER



ZAMBONI 552AC
CONSOLIDATED PARTS LIST**6.2 – PLASTIC WASH WATER TANK W/OUT TRANSFER**

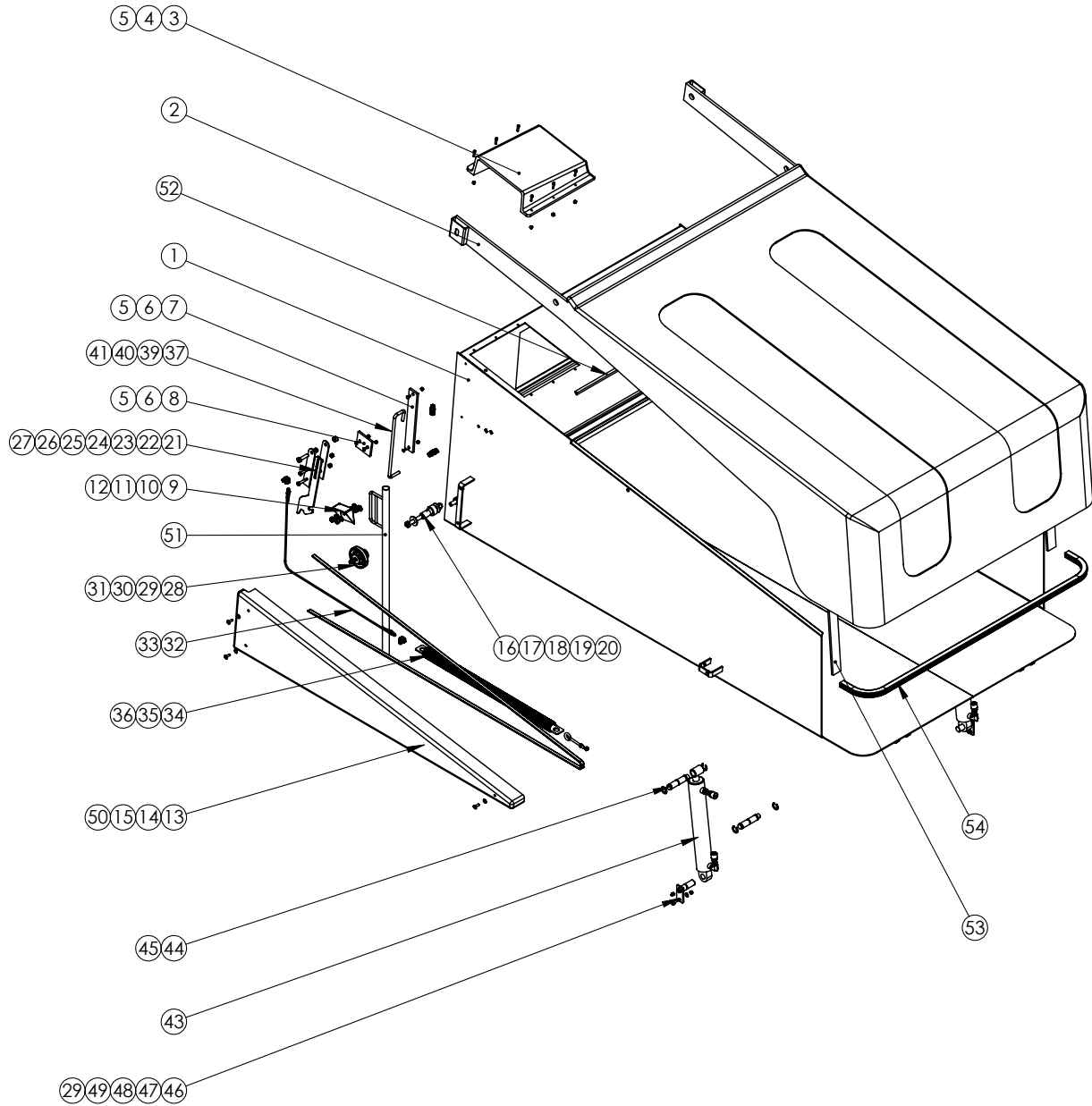
IND	PART NO.	DESCRIPTION	QTY	S/N RANGE
1	7A-05355	PLASTIC WASH WATER TANK	1	11429 -
2	7F-05051	STIFFENER	1	11429 -
	HA-10509	SCREW, BUTTON HD, 3/8-16 X 3/4	4	11429 -
	HA-10982	NUT, THIN, 3/8-16	4	11429 -
	HA-10860	WASHER, FLAT, 3/8	4	11429 -
	HA-10862	LOCKWASHER, 3/8	4	11429 -
3	2F-00140	SEAL	5'	11429 -
4	7F-05070	BRACKET, SNOW TANK SEAL	1	11429 -
	HA-06009	SCREW, HEX HD, 1/4-20 X 3/4	7	11429 -
	HA-06860	WASHER, FLAT, 1/4	7	11429 -
	HA-06862	FLATWASHER, 1/4	7	11429 -
5	7F-05203	AUGER OPENING FILLER, PLASTIC WW TANK	1	11429 -
	2F-00145	TRIM SEAL	1	11429 -
6	7F-05066	STIFFENER, PLASTIC WASH WATER TANK	1	11429 -
7	7F-15220	FLOOR PLATE	1	11429 -
	7F-15521	FLOOR PLATE, DIAMONDPLATE	1	11429 -
	7F-15630	FLOOR PLATE, SEVCON FOOT PEDAL	1	11429 -
	7F-15640	HEEL REST, FLOOR PLATE, SEVCON FOOT PEDAL	1	11429 -
8	4A-40510	HANDLE	1	11429 -
	HA-06106	SCREW, SOCKET HD CAP, 1/4-20 X 1/2	2	11429 -
	HA-06981	LOCKNUT, 1/4-20	2	11429 -
	HA-06862	FLATWASHER, 1/4	2	11429 -
9	7A-05357	COVER	1	11429 -
10	7C-04885	SCREEN BASKET	1	11429 -
	7C-05200	WASH WATER FILTER, 200 MICRON FELT, 30LG	1	11429 -
	7C-05400	FILTER BAG. 400 MICRON	1	11429 -
11	4T-0916C	CLEAR HOSE, 1-1/4 X 6	1	11429 -
12	FP-2020C	90° ELBOW	1	11429 -
13	4T-0914C	CLEAR HOSE, 1-1/4 X 4	1	11429 -
N/S	49-04880	SPLASH GUARD	1	11429 -
14	FP-2020B	ADAPTER	1	11429 -
15	FV-33560	COUPLING	1	11429 -
16	FV-64016	NIPPLE	1	11429 -
17	FV-05261	90° ELBOW	1	11429 -
18	FV-64384	PIPE	1	11429 -
19	FV-02562	90° ELBOW	1	11429 -
20	FV-64028	NIPPLE	2	11429 -

ZAMBONI 552AC
CONSOLIDATED PARTS LIST**6.2 – PLASTIC WASH WATER TANK W/OUT TRANSFER**

IND	PART NO.	DESCRIPTION	QTY	S/N RANGE
21	RC-5108A	HOSE, 1-5/8 X 27", KANAFLEX	1	11429 -
22	FV-2605A	NIPPLE	1	11429 -
23	FV-05060	45° ELBOW	1	11429 -
24	RC-5142A	HOSE, 1-5/8 X 35.5"	1	11429 -
	RC-4114A	HOSE, 1-1/2 X 37.5", KANAFLEX	1	11429 -
25	FV-09162	PLUG, 1-1/2	1	11429 -
26	FV-2700A	NIPPLE	1	11429 -
27	FF-05572	45° ELBOW	1	11429 -
28	FP-2426B	NIPPLE	1	11429 -
29	4T-0312A	CLEAR HOSE	2'	11429 -
30	FV-09164	PLUG, 2	1	11429 -
31	FV-2806B	NIPPLE	1	11429 -
32	FV-05082	45° ELBOW	1	11429 -
33	FV-66028	NIPPLE	1	11429 -
N/S	FV-2637C	PIPE (INSIDE PLASTIC TANK)	1	11429 -
N/S	5T-05320	BRACKET (INSIDE PLASTIC TANK)	1	11429 -
N/S	2F-19745	SEAL, WASHWATER TANK	2	11429 -
	7F-05054	BRACKET, SEAL	2	11429 -
	HD-06670	CLIP,FLAT HEAD, PLASTIC, .250" DIA.	4	11429 -
	HF-06510	NUT, HEX LOCK, SS, 1/4-20	4	11429 -
	HD-08862	NYLON FLAT WASHER, 5/16" ID x .062 THICK	4	11429 -
	HF-06006	SCREW, HEX HD, 1-4/20 X 1/2, SS	4	11429 -

ZAMBONI 552AC
CONSOLIDATED PARTS LIST

GROUP 7.1 – SNOW TANK AND CYLINDERS



ZAMBONI 552AC
CONSOLIDATED PARTS LIST**7.1 – SNOW TANK AND CYLINDERS**

IND	PART NO.	DESCRIPTION	QTY	S/N RANGE
1	7A-15500	WELDMENT, SNOW TANK	1	11429 -
2	7B-15600	LID, SNOWTANK, 2008+ MODEL	1	11429 -
3	7D-73420	SNOW TANK AIR VENT, W/ BAFFLES	1	11429 -
4	HA-06011	SCREW, FHCS, 1/4"-20 X 1"	6	11429 -
5	HA-06981	LOCKNUT,HEX,1/4-20	14	11429 -
6	HA-06609	SCREW, FHCS, 1/4"-20 X 3/4"	8	11429 -
7	7B-0520A	WEAR STRIP, SNOW TANK TO LID	2	11429 -
8	7B-0521A	WEAR PAD, PLASTIC, LID-BAR	2	11429 -
9	5T-10010	BRACKET, STOP, ADJUSTABLE	2	11429 -
10	HA-14213	SCREW, CARRIAGE, 1/2-13 X 1-1/4	4	11429 -
11	HF-14862	LOCKWASHER, S.S., 1/2"	4	11429 -
12	HA-14980	NUT, HEX, 1/2"-13	4	11429 -
13	49-17680	GUARD-SNOW TANK	2	11429 -
14	HD-08862	WASHER, FLAT, NYLON, 5/16" ID	6	11429 -
15	HF-08511	SCREW, SLOT, TRUSS, S.S., 5/16"-18 X 1"	6	11429 -
16	10-2126A	BUSHING, SNOW	2	11429 -
17	HD-1861M	SCREW W/ ZERK, 5/8"-11 X 3", 3/4" ZERK	2	11429 -
18	HA-18860	WASHER, FLAT, U.S.S., 5/8"	4	11429 -
19	HA-18986	LOCKNUT, FLEXLOC, 5/8"-11	2	11429 -
20	13-3728A	SPACER, SNOW TANK LID	2	11429 -
21	4F-15871	LID ARM HOOK	2	11429 -
22	4F-15880	LINK, LID LIFT ARM	4	11429 -
23	HA-14016	SCREW, HEX HD, 1/2"-13 X 2"	2	11429 -
24	HA-10014	SCREW, HEX HD, 3/8"-16 X 1.5"	4	11429 -
25	HA-14986	NUT, HEX TRI-LOCK, 1/2"-13	2	11429 -
26	HA-10981	NUT, NYLON HEX LOCK, 3/8"-16	4	11429 -
27	10-19070	BUSHING, .72" OD X .53" ID	2	11429 -
28	41-42000	PULLEY ASSEMBLY, LID LIFT	2	11429 -
29	HA-08009	SCREW, HEX HD, 5/16"-18 X 3/4"	4	11429 -
30	HA-08862	LOCKWASHER, 5/16", SPLIT	2	11429 -
31	HF-18860	WASHER, FLAT, 5/8", U.S.S., STAINLESS	4	11429 -
32	33-40330	CABLE, LID LIFT	2	11429 -
33	27-03210	CLIP, WIRE ROPE, U-BOLT, 1/4"	4	11429 -
34	1L-38730	SPRING ASSY, LID LIFT	2	11429 -
35	HC-10215	EYEBOLT & NUT, LID LIFT	2	11429 -
36	HA-10980	NUT, HEX, 3/8"-16	2	11429 -
37	7B-0522A	BRACE ROD, RH	1	11429 -

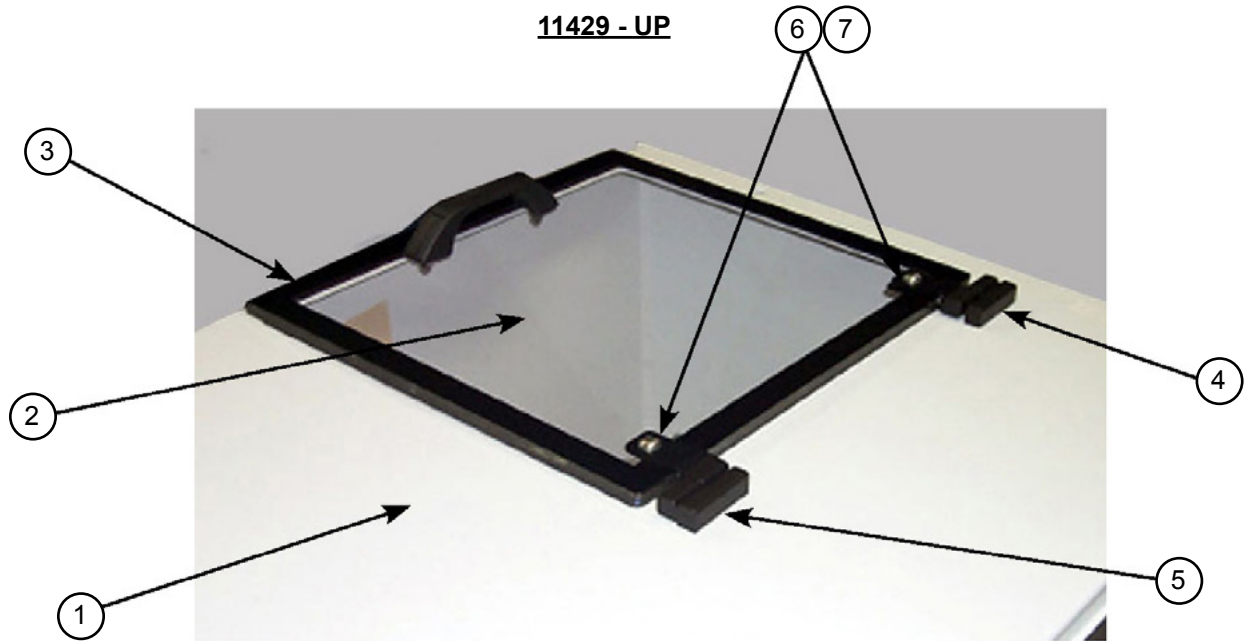
ZAMBONI 552AC
CONSOLIDATED PARTS LIST**7.1 – SNOW TANK AND CYLINDERS**

IND	PART NO.	DESCRIPTION	QTY	S/N RANGE
38	7B-0522B	BRACE ROD, LH	1	11429 -
39	HD-13860	WASHER, FLAT, NYLON, .500" ID	8	11429 -
40	HF-13860	WASHER, FLAT, S.S., SAE, 7/16"	8	11429 -
41	HA-13980	NUT, HEX, 7/16"-20	4	11429 -
42	HA-13981	LOCKNUT, HEX, 7/16"-20	4	11429 -
43	2X-2514A	SNOW TANK LIFT CYLINDER	2	11429 -
44	16-70580	PIN, PIVOT, 1 INCH DIA, 3-5/8 EFF LGTH	4	11429 -
45	HA-7064A	E-RING, EXT. 1" SHAFT OD	8	11429 -
46	5T-70575	BRACKET, CAPTURED PIN	2	11429 -
47	1Z-01580	GREASE FITTING, 1/8" NPT	2	11429 -
48	HA-08860	WASHER, FLAT, 5/16"	2	11429 -
49	HA-08980	NUT, HEX, 5/16"-18	2	11429 -
50	2H-0520A	EDGE LINER, SPRING GUARD	2	11429 -
51	49-38590	SAFETY STAND, SNOW TANK	1	11429 -
52	2F-0013C	KIT, REAR SEAL	1	11429 -
53	2F-00110	SEAL, NEOPRENE, SNOW TANK LID	2	11429 -
54	2F-0010A	SEAL, SNOW TANK LID, 72 INCH	1	11429 -

ZAMBONI 552AC
CONSOLIDATED PARTS LIST

7.1 – SNOW TANK AND CYLINDERS

SNOW TANK WINDOW



**ZAMBONI 552AC
CONSOLIDATED PARTS LIST**

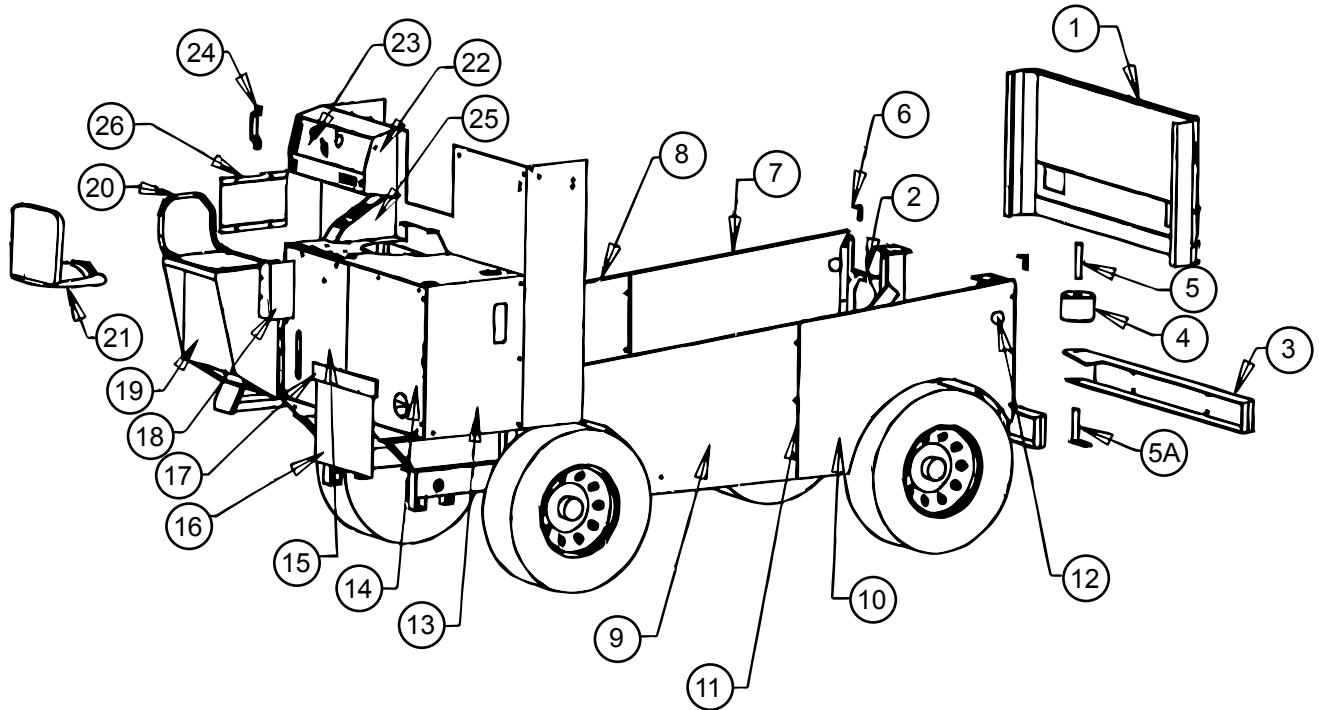
7.1 – SNOW TANK AND CYLINDERS

IND	PART NO.	DESCRIPTION	QTY	S/N RANGE
<u>SNOW TANK WINDOW</u>				
1	7A-15500	SNOW TANK	1	11429 -
2	49-04401	SNOW TANK WINDOW	1	11429 -
3	2F-0012X	SNOW TANK SEAL	5FT	11429 -
4	47-15500	HINGE, SNOW TANK WINDOW, LH	1	11429 -
5	47-15505	HINGE, SNOW TANK WINDOW, RH	1	11429 -
	HA-04704	SCREW, FILLISTER HD, 10-32 X 3/8	4	11429 -
	HA-04706	SCREW, FILLISTER HD, 10-32 X 1/2	4	11429 -
	HA-03862	LOCKWASHER, #10	4	11429 -
	HA-03867	FLAT WASHER, #10	4	11429 -
6	49-15500	BRACKET, HINGE MOUNTING	2	11429 -
7	47-15510	KIT, HINGE MOUNTING HARDWARE	2	11429 -
N/S	7A-15525	COVER PLATE	1	11429 -
	HA-04706	SCREW, FILLISTER HD, 10-32 X 1/2	2	11429 -
	HA-04981	LOCKNUT, 10-32	2	11429 -
	HA-03867	FLAT WASHER, #10	2	11429 -
N/S	2M-0600A	MAGNETIC STRIP	2.6FT	11429 -
N/S	46-04406	WINDOW OPENING LIMITER	1	11429 -

N/S = NOT SHOWN

ZAMBONI 552AC
CONSOLIDATED PARTS LIST

GROUP 8.1 – BODY PANELS, BUMPER



ZAMBONI 552AC
CONSOLIDATED PARTS LIST**8.1 – BODY PANELS, BUMPER**

IND	PART NO.	DESCRIPTION	QTY	S/N RANGE
1	46-17550	PANEL, FRONT	1	11429 -
N/S	81-16040	ZAMBONI NAMEPLATE	1	11429 -
	HA-10009	SCREW, HEX HD, 3/8-16 X 3/4	8	11429 -
	HA-10860	WASHER, FLAT, 3/8	8	11429 -
	HA-10981	LOCKNUT, 3/8-16	8	11429 -
2	46-15320	FRONT PANEL MOUNTING BRACKET	2	11429 -
	HF-10011	SCREW, S.S., HEX HEAD, 3/8-16 X 1	4	11429 -
	HF-10860	WASHER, FLAT, S.S., 3/8	8	11429 -
	HF-10862	LOCKWASHER, S.S., 3/8	4	11429 -
3	8T-15805	BUMPER	1	11429 -
	HA-14213	SCREW, CARRIAGE, 1/2-13 X 1-1/4	4	11429 -
	HA-14214	SCREW, CARRIAGE, 1/2-13 X 1-1/2	4	11429 -
	HA-14980	NUT, HEX, 1/2-13	4	11429 -
	HA-14862	WASHER, LOCK, 1/2	4	11429 -
4	8R-16800	GUIDE WHEEL	1	11429 -
	HP-32894	WASHER, FLAT, NYLON	1	11429 -
5	15-15520	SHAFT & STRAP, GUIDE WHEEL	1	11429 -
	HF-10013	SCREW, HEX HEAD, 3/8-16 X 1-1/4	1	11429 -
	HF-10981	NYLON NUT, HEX LOCK, 3/8-16	1	11429 -
	HF-08860	WASHER, FLAT, 5/16	2	11429 -
6	46-12570	BRACKET, DOOR SUPPORT	2	11429 -
7	46-25521	PANEL, LEFT DOOR	1	11429 -
	HA-04706	SCREW, 10-32 X 1/2	8	11429 -
	HA-04981	LOCKNUT, HEX, 10-32	8	11429 -
	1L-0520C	SPRING, DOOR	1	11429 -
8	46-15535	PANEL, LEFT SIDE	1	11429 -
	HA-08009	SCREW, HEX HD, 5/16-18 X 3/4	6	11429 -
	HA-08862	WASHER, FLAT, 5/16	6	11429 -
	HA-08981	LOCKNUT, 5/16-18	6	11429 -
	8T-12540	BUMPER, DOOR	1	11429 -
	HA-04711	SCREW, 10-32 X 1	1	11429 -
	HA-05862	WASHER, FLAT	1	11429 -
	HA-04981	LOCKNUT, 10-32	1	11429 -

ZAMBONI 552AC

CONSOLIDATED PARTS LIST

8.1 – BODY PANELS, BUMPER

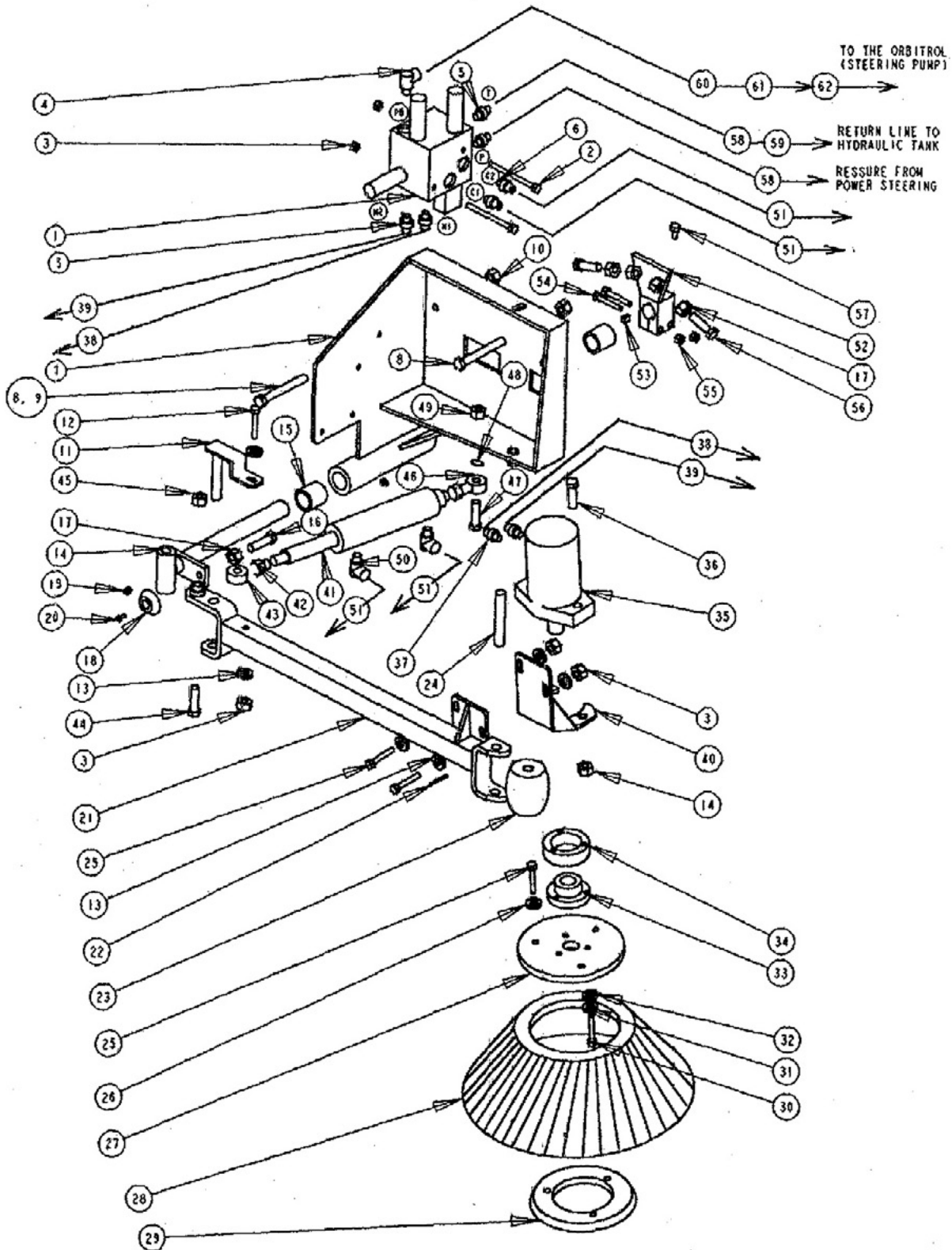
IND	PART NO.	DESCRIPTION	QTY	S/N RANGE
9	46-15540	PANEL, RIGHT SIDE	1	11429 -
	HA-08009	SCREW, HEX HD, 5/16-18 X 3/4	6	11429 -
	HA-08860	WASHER, FLAT, 5/16	6	11429 -
	HA-08981	LOCKNUT, 5/16-18	6	11429 -
	8T-12540	BUMPER, DOOR	1	11429 -
	HA-04711	SCREW, 10-32 X 1	1	11429 -
	HA-05862	WASHER, FLAT	1	11429 -
	HA-04981	LOCKNUT, 10-32	1	11429 -
10	46-25541	PANEL, RIGHT DOOR	1	11429 -
	HA-04706	SCREW, FILLISTER HD, 10-32 X 1/2	8	11429 -
	HA-04981	LOCKNUT, HEX, 10-32	8	11429 -
	1L-0520C	SPRING, DOOR	1	11429 -
11	47-17720	HINGE	1	11429 -
N/S	2F-00553	WEAR STRIP, DOOR	2	11429 -
12	47-17840	LATCH, LEFT SIDE DOOR	1	11429 -
	47-17850	LATCH, RIGHT SIDE DOOR	1	11429 -
13	46-15378	PANEL	1	11429 -
	HA-08009	SCREW, HEX HD, 5/16-18 X 3/4	10	11429 -
	HA-08862	WASHER, LOCK, 5/16	7	11429 -
	HA-08900	SPEEDNUT, "J" TYPE	5	11429 -
	HA-08981	NUT, LOCK, HEX, 5/16-18	3	11429 -
14	46-15415	REAR PANEL, RIGHT	1	11429 -
	HA-08009	SCREW, HEX HD, 5/16-18 X 3/4	5	11429 -
	HA-08862	WASHER, LOCK, 5/16	6	11429 -
	HA-08860	WASHER, FLAT, 5/16	2	11429 -
	HA-08900	SPEED NUT, "J" TYPE	7	11429 -
	HA-08990	NUT, WING, 5/16	1	11429 -
	HA-08007	STUD, 5/16-18 X 1-3/4	1	11429 -
15	46-15393	REAR PANEL, LEFT	1	11429 -
	HA-08009	SCREW, HEX HD, 5/16-18 X 3/4	4	11429 -
	HA-08862	WASHER, LOCK, 5/16	5	11429 -
	HA-08860	WASHER, FLAT, 5/16	2	11429 -
	HA-08900	SPEED NUT, "J" TYPE	2	11429 -
	HA-08007	STUD, 5/16-18 X 1-3/4	1	11429 -
	HA-08990	WING NUT, 5/16	1	11429 -
	HA-08990	NUT, WING, 5/16	1	11429 -
	HA-08007	STUD, 5/16-18 X 1-3/4	1	11429 -

ZAMBONI 552AC
CONSOLIDATED PARTS LIST**8.1 – BODY PANELS, BUMPER**

IND	PART NO.	DESCRIPTION	QTY	S/N RANGE
16	49-42460	FLAP, REAR PANEL	1	11429 -
17	1M-42100	STRAP, SNOW FLAP	1	11429 -
18	46-39772	COVER, PARKING BRAKE LEVER	1	11429 -
19	7H-05520	SUPPORT, OPERATOR SEAT	1	11429 -
	7P-04422	KEY, CONTROL BOX, SPAN	1	11429 -
20	7H-1524C	HAND RAIL	1	11429 -
	HA-06009	SCREW, HEX HD, 1/4-20 X 3/4	2	11429 -
	HA-06981	LOCKNUT, HEX, 1/4-20	2	11429 -
	HA-08981	LOCKNUT, HEX, 5/16-18	12	11429 -
21	7H-72900	SEAT ASSY, OPERATOR	1	11429 -
	7H-65230	SEAT ASSY, HEATED SEAT OPTION	1	11429 -
	HF-08313	SCREW, SKT FLAT HD, 5/16-18 X 1-1/4	4	11429 -
	7H-79400	BOTTOM SEAT CUSHION	1	11429 -
	7H-79410	BACK SEAT CUSHION	1	11429 -
22	46-05540	INSTRUMENT PANEL, HINGED FACE	1	11429 -
23	46-05520	FACE, INSTRUMENT PANEL	1	11429 -
	46-05530	FACE, INSTRUMENT PANEL, 552AC LI +	1	11429 -
	HA-72902	SPEED NUT, 5/16-18	6	11429 -
	HF-08109	SCREW, BUTTON HD, 5/16-18 X 3/4	6	11429 -
24	4A-40510	HAND GRIP	2	11429 -
25	46-18940	CONSOLE	1	11429 -
	HA-06108	SCREW, SOCKET HD, 1/4-20 X 3/4	2	11429 -
26	7F-05026	COVER	1	11429 -

ZAMBONI 552AC
 CONSOLIDATED PARTS LIST

GROUP 9.1 – OPTIONS, BOARD BRUSH



ZAMBONI 552AC
CONSOLIDATED PARTS LIST**9.1 – OPTIONS, BOARD BRUSH**

IND	PART NO.	DESCRIPTION	QTY	S/N RANGE
1	2V-9045A	CONTROL VALVE MANIFOLD BLOCK (FP)	1	11429 -
2	HA-08027	SCREW, HEX HD, 5/16-18 X 5-1/2	2	11429 -
3	HA-08981	LOCKNUT, HEX, 5/16-18	2	11429 -
4	F1-69030	90° ELBOW	1	11429 -
5	F1-62090	ADAPTER	4	11429 -
6	F1-64330	ADAPTER	1	11429 -
7	4F-55250	MOUNTING PAN	1	11429 -
8	HA-13020	SCREW, HEX HD, 7/16-20 X 3	3	11429 -
9	HA-13021	SCREW, HEX HD, 7/16-20 X 3-1/4	1	11429 -
10	HA-13981	LOCKNUT, HEX, 7/16-20	2	11429 -
11	15-62140	PIN, ARM	1	11429 -
12	HA-08017	SCREW, HEX HD, 5/16-18 X 2-1/4	1	11429 -
13	HA-08860	FLATWASHER, 5/16	6	11429 -
14	4F-55106	SHAFT, PIVOT ARM	1	11429 -
15	10-3624H	BUSHING	2	11429 -
16	HA-14008	SCREW, HEX HD, 1/2-13 X 1-1/4 W/10-32 THD	1	11429 -
17	HA-14982	NUT, THIN, 1/2-13	3	11429 -
18	8T-12530	BUMPER	1	11429 -
19	1Z-01620	GREASE FITTING, 1/4-28	2	11429 -
20	HA-04706	SCREW, FILLISTER HD, 10-32 X 1/2	1	11429 -
21	4F-55005	WELDMENT, BB ARM	1	11429 -
22	15-81116	ROLL PIN	1	11429 -
23	8R-0500A	ROLLER	1	11429 -
24	15-62130	PIN, HINGE	1	11429 -
25	HA-08011	SCREW, HEX HD, 5/16-18 X 1	5	11429 -
26	HA-08862	LOCKWASHER, 5/16	3	11429 -
27	5V-62024	PLATE	1	11429 -
28	5V-62020	BRUSH	1	11429 -
29	5V-62022	BRUSH RING, LOWER	1	11429 -
30	HA-06012	SCREW, SKT HD, 1/4-20 X 1-3/8	3	11429 -
31	HA-06862	LOCKWASHER, 1/4	3	11429 -
33	43-73380	BUSHING	1	11429 -
34	5V-0500B	ADAPTER	1	11429 -
35	2M-62060	HYDRAULIC MOTOR	1	11429 -
36	HA-12013	SCREW, HEX HD, 7/16-14 X 1-1/4	2	11429 -
37	F1-62180	ADAPTER	2	11429 -
38	PM-3102B	HOSE, 3/8 X 25	1	11429 -

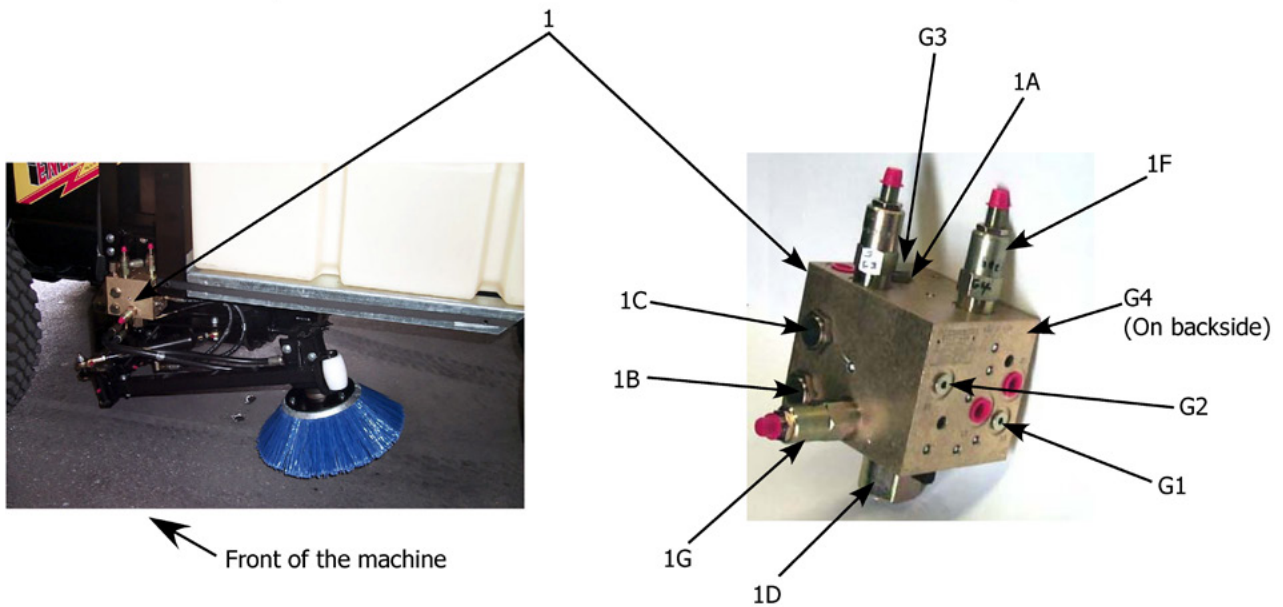
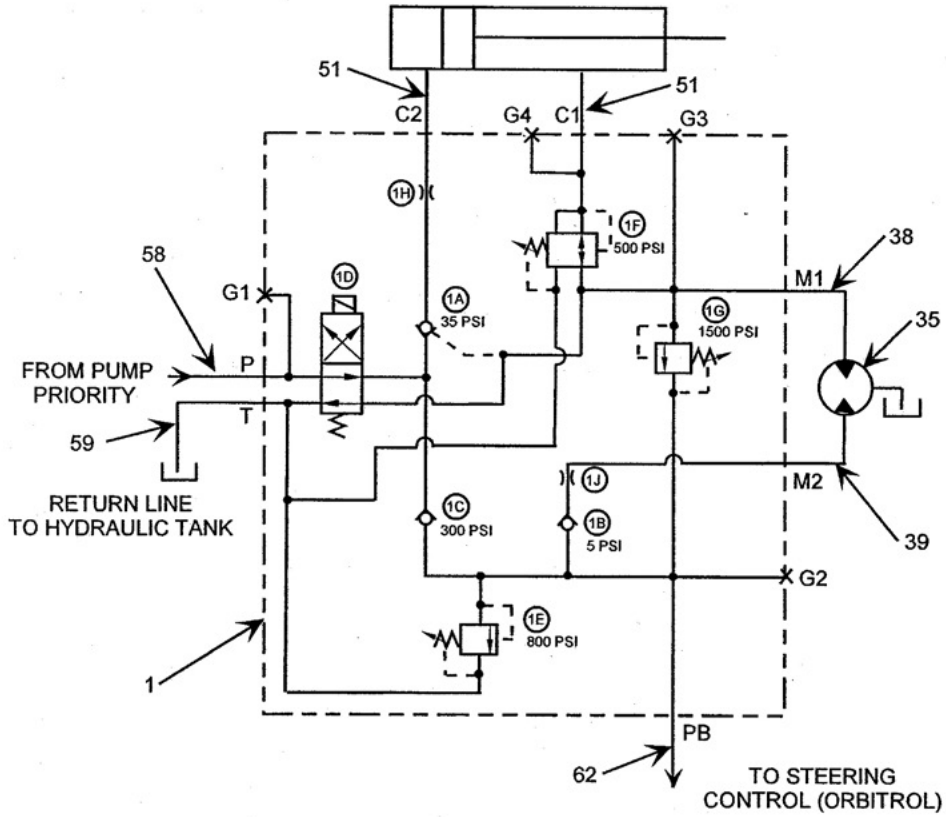
ZAMBONI 552AC
CONSOLIDATED PARTS LIST**9.1 – OPTIONS, BOARD BRUSH**

IND	PART NO.	DESCRIPTION	QTY	S/N RANGE
39	PM-3102A	HOSE, 3/8 X 26	1	11429 -
40	4F-55045	MOTOR MTG BRACKET	1	11429 -
41	2X-87600	HYDRAULIC CYLINDER	1	11429 -
42	HA-15988	NUT, HEX, THIN, 1/2-20	2	11429 -
43	4J-04060	ROD END	1	11429 -
44	HA-14017	SCREW, HEX HD, 1/2-13 X 2-1/4	1	11429 -
45	HA-14986	LOCKNUT, 1/2-13	1	11429 -
46	4J-04050	ROD END	1	11429 -
47	HA-15018	SCREW, HEX HD, 1/2-20 X 2-1/2	1	11429 -
48	HA-14861	FLATWASHER, 1/2	2	11429 -
49	HA-15986	LOCKNUT, 1/2 -20	1	11429 -
50	F3-67210	90° ELBOW	2	11429 -
51	PM-1072A	HOSE, 1/4 X 18	2	11429 -
52	4F-55143	STOP PLATE	1	11429 -
53	15-02108	KEY, 1/4SQ X 1-1/4	1	11429 -
54	HA-10017	SCREW, HEX HD, 3/8-16 X 2-1/4	2	11429 -
55	HA-10981	LOCKNUT, 3/8-16	2	11429 -
56	HA-14014	SCREW, HEX HD, 1/2-13 X 1-1/2	2	11429 -
57	HA-06009	SCREW, HEX HD, 1/4-20 X 3/4	1	11429 -
58	PJ-3440A	HOSE, 3/8 X 120	2	11429 -
59	PJ-34284	HOSE, 3/8 X 107	1	11429 -
60	PJ-3672A	HOSE, 3/8 X 143	1	11429 -
61	F3-74470	ADAPTER	1	11429 -

ZAMBONI 552AC
CONSOLIDATED PARTS LIST

9.1 – OPTIONS, BOARD BRUSH

2V-9035A BOARD BRUSH MANIFOLD-HYDRAULIC SCHEMATIC



**ZAMBONI 552AC
CONSOLIDATED PARTS LIST**

9.1 – OPTIONS, BOARD BRUSH

IND	PART NO.	DESCRIPTION	QTY	S/N RANGE
<u>CONTROL VALVE MANIFOLD BLOCK</u>				
1	2V-9045A	CONTROL VALVE, MANIFOLD BLOCK (FP)	1	11429 -
1A	2V-9035B	CHECK VALVE, 35 PSI, MANIFOLD BLOCK	1	11429 -
1B	2V-9035C	CHECK VALVE, 5 PSI, MANIFOLD BLOCK	1	11429 -
1C	2V-9035D	CHECK VALVE, 300 PSI, MANIFOLD BLOCK	1	11429 -
1D	2V-9035E	SOLENOID VALVE, MANIFOLD BLOCK	1	11429 -
	2V-9029C	COIL, SOLENOID VALVE, MANIFOLD BLOCK	1	11429 -
1E	2V-9035F	RELIEF VALVE, 800 PSI, MANIFOLD BLOCK	1	11429 -
1F	2V-9035H	PRESSURE REDUCING VALVE, MANIFOLD BLOCK	1	11429 -
1G	2V-9035G	RELIEF VALVE, 1500 PSI, MANIFOLD BLOCK	1	11429 -
1H	2V-9035J	REMOVABLE ORIFICE, MANIFOLD BLOCK	1	11429 -