

GENERAL NOTES

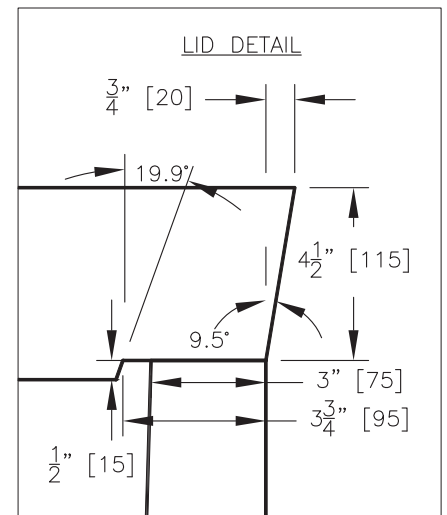
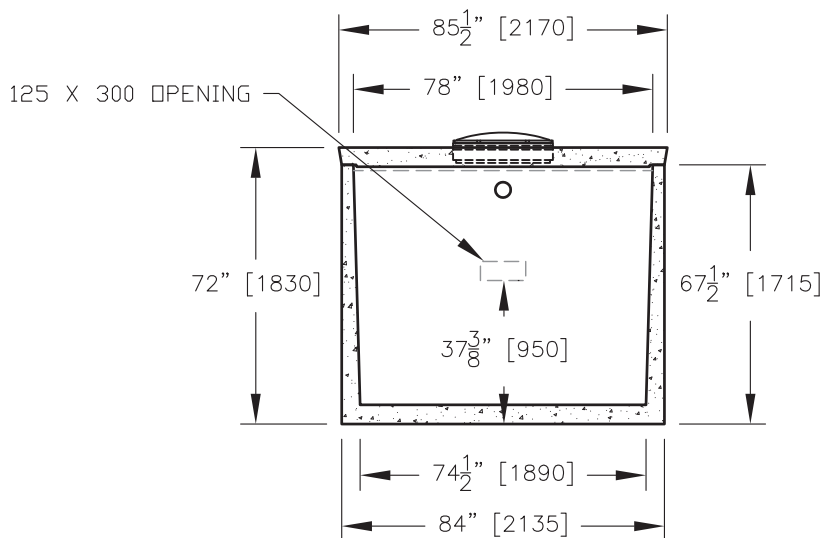
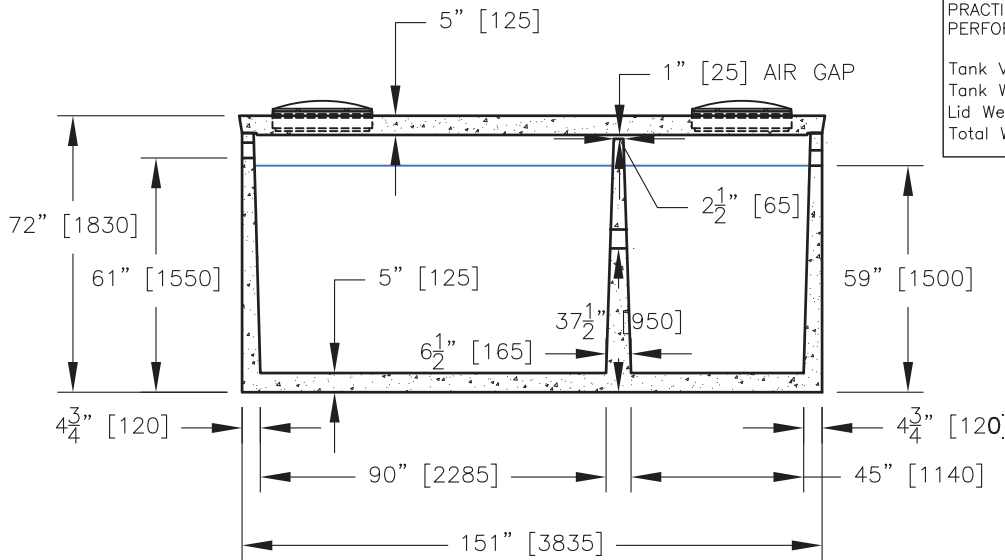
Precast concrete shall be exposure Class S and meet min compressive strength of 35MPA

Cement: Type GU
 Air Category: 4.0% - 7.0%
 Aggregate: CSA/CAN A23.4
 Maximum Size: 20mm
 Admixtures: CSA/CAN A23.4
 Reinforcing: Grade 400W CSA G30.18-09
 Inserts/Embeds: As noted in drawing details

Manufacture of precast concrete units shall be in accordance with specification CSA A23.4

**** LEKO PRECAST LTD SHALL NOT BE RESPONSIBLE FOR ANY INSTALLATION PRACTICES FOLLOWED ON-SITE UNLESS PERFORMED BY LEKO PRECAST LTD ****

Tank Volume 2,045gal (1360/685)
 Tank Weight 7,755Kg (17,060 lbs)
 Lid Weight 2,370Kg (5,220 lbs)
 Total Weight 10,125Kg (22,275 lbs)



2000 IGAL DUAL COMPARTMENT TANK

| | | | |
|---------------------------|---------------|----------------------|--------------------|
| DRAWN BY: JA | CHECKED BY: | APPROVED BY: | DATE: July 2017 |
| ASSEMBLY DWG. | PREVIOUS DWG. | DRAWING NO. S0208 | REVISION 2 |
| SCALE: 1:50 | | ISOMETRIC: N/A | |
| DO NOT SCALE THIS DRAWING | | | |