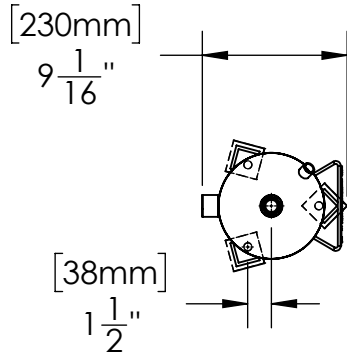


# POT FEEDER

## DB-2-1THD-CS-A



Operating Point	Up to 500 Gallon System Volume
Pot Feeder - Size & Style	Dome Bottom 2 Gallon Threaded End
Construction	Carbon Steel (Welded)

### PROCESS INLET

Connection - Type & Size	NPT 3/4"
--------------------------	----------

### PROCESS OUTLET

Connection - Type & Size	NPT 3/4"
--------------------------	----------

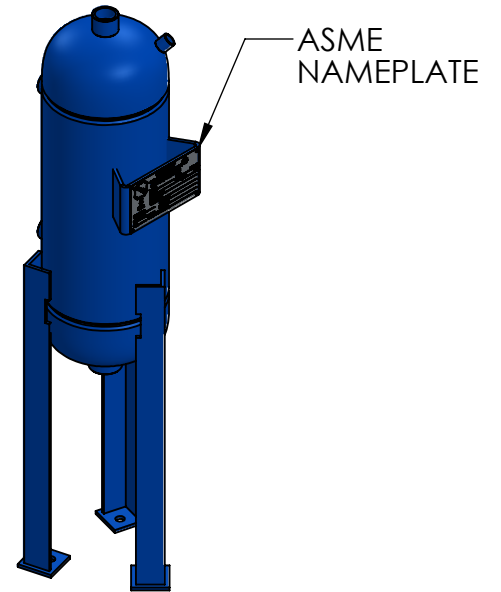
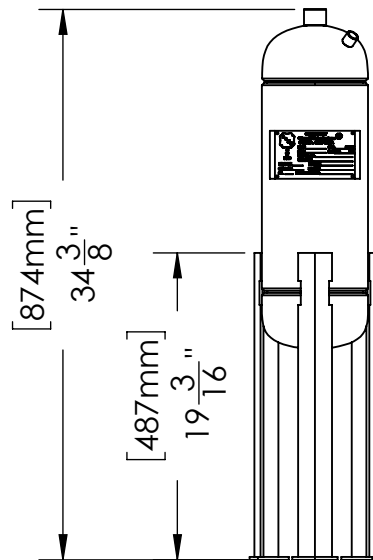
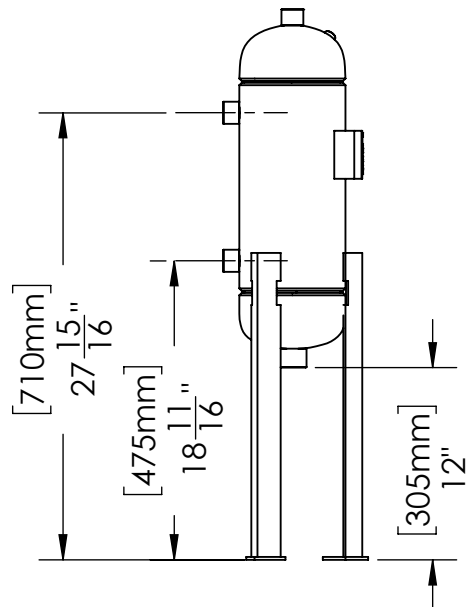
### PRESSURE - Maximum Operating

Vessel	600 psi (41.4 bar)
--------	--------------------

### TEMPERATURE - Maximum Operating

System	34°F - 250°F (1°C - 121°C)
--------	----------------------------

WEIGHTS	DRY	SHIPPING	OPERATING
lbs (kg)	TBD	TBD	TBD



ASME  
NAMEPLATE

PREPARED BY:  
HECTOR J. GUZMAN

PAGE:  
1

RELEASED BY:  
TIM BOYLEN

DATE:  
4/22/2021



General Water Systems | P.O Box 444 | Desert Hot Springs | CA | 92204  
www.gwslp.com | info@gwslp.com | 951.213.9506 | 386.255.3909

\*UNLESS OTHERWISE SPECIFIED - ALL DIMENSIONS ARE IN INCHES

**DB-2-1THD-CS-A**