

POT FEEDER

GENERAL WATER SYSTEMS

THIS DRAWING IS FOR SPATIAL CONSIDERATION ONLY, AND SUBJECT TO CHANGE W/O PREVIOUS NOTICE, DO NOT PRE-PLUMB TO THESE DIMENSIONS

DB-45-GE-CS-Z

Operating Point	More than 25,000 Gallon System Volume
Pot Feeder - Size & Style	Grooved Bottom 45 Gallon Safety Bar
Construction	Carbon Steel (Welded)

PROCESS INLET

Connection - Type & Size	NPT 3/4"
--------------------------	----------

PROCESS OUTLET

Connection - Type & Size	NPT 3/4"
--------------------------	----------

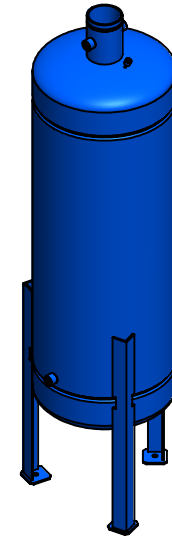
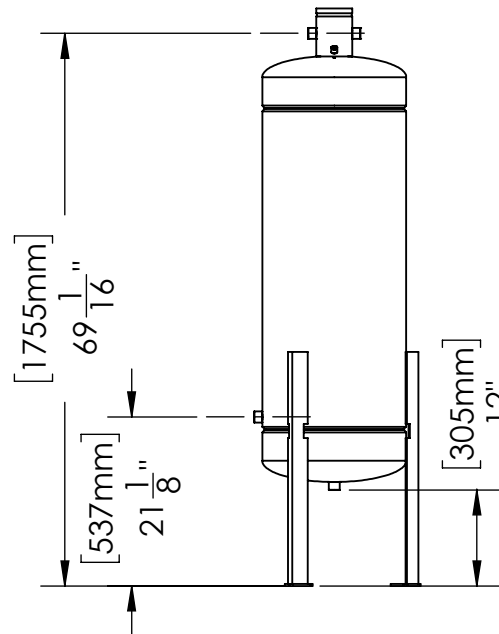
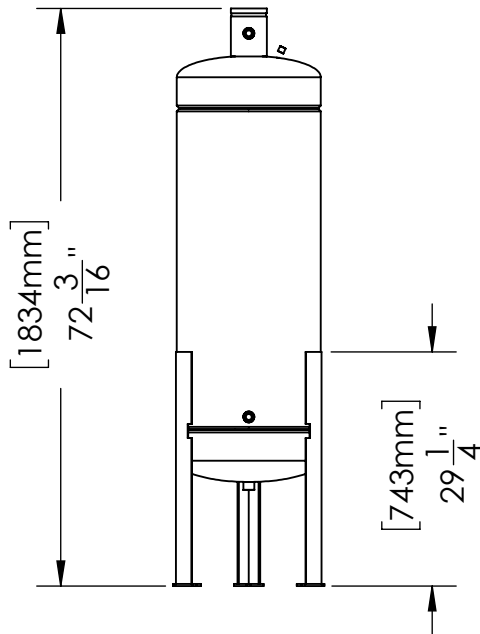
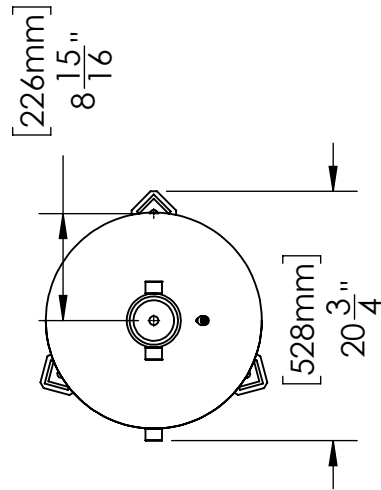
PRESSURE - Maximum Operating

Vessel	150 psi (10.3 bar)
--------	--------------------

TEMPERATURE - Maximum Operating

System	34°F - 122°F (1°C - 50°C)
--------	---------------------------

WEIGHTS	DRY	SHIPPING	OPERATING
lbs (kg)	TBD	TBD	TBD



PREPARED BY: HECTOR J. GUZMAN	REV A
RELEASED BY: TIM BOYLEN	DATE: 11/1/2020



General Water Systems | P.O. Box 444 | Desert Hot Springs | CA | 92204
www.gwslp.com | info@gwslp.com | 951.213.9506 | 386.255.3909

*UNLESS OTHERWISE SPECIFIED - ALL DIMENSIONS ARE IN INCHES

DB-45-GE-CS-Z