



IntegraClean

THIS DRAWING IS FOR SPATIAL CONSIDERATION ONLY, AND SUBJECT TO CHANGE W/O PREVIOUS NOTICE, DO NOT PRE-PLUMB TO THESE DIMENSIONS

WAVE 3.1 Reaction Chamber
Full Flow, Mounted In Condenser WaterLine
(Size Per Contract Documents)

WAVE 3.1 Reaction Chamber SideStream

Condenser WaterLine

OR

To Clean Sweep

Plumb WAVE 3.1 Reaction Chamber To System Outlet Flow

15ft. Signal Cable, (30ft. max.)

Electrical Control Box

Conductivity Controller

Blowdown Valve Plumb To Drain

Pressure Indicator

Purge Valve Plumb To Drain

Process Outlet

Basket strainer (Optional)

Pump/Motor

Separator

From Clean Sweep

Process Inlet

Skid

WAVE 3.1 Control Panel

J-Box

Flow Switch

Conductivity Sensor

IntegraClean

THIS DRAWING IS FOR SPATIAL CONSIDERATION ONLY, AND SUBJECT TO CHANGE W/O PREVIOUS NOTICE, DO NOT PRE-PLUMB TO THESE DIMENSIONS

IntegraClean IC-151-D-HH

Flow Rate	75 gpm at 40 THD
Separator Model	CS-2T-THD, Carbon Steel, Powder Coated.
Frame Construction	Carbon Steel, Powder Coated.
Pipe Assembly	Carbon Steel, rust inhibitor primer, with enamel finish.

ELECTRICAL

Motor Horsepower	1.5				
Motor RPM	3500	3500	2900	3500	3500
Motor Voltage, 3 Phase	460	575	380-415	230	208
Motor Amperage	3	2.4	3.3	6	6.6
System Total Amperage	7	7	8	10	11

PUMP

Pump Operation	Flooded suction required
Pump Casing	Cast iron
Pump Impeller	Cast iron
Std. Mechanical Seal	Buna seal, carbon rotary, ceramic stationary.

BASKET STRAINER (OPTIONAL)

Body Construction	Cast iron
Internal Screen	1/4" perforated 304 Stainless Steel
Connection Type	Female NPT thread

CONTROL PANEL (UL listed and labeled, manufactured to UL-508A Std.)

Enclosure	NEMA 4, Powder Coated, Watertight, UL listed and CSA appoved. (NEMA 4X, Optional)
Electrical Components	Starter with Thermal Overload, HOA, stepdown, Pump "RUN" lights, Lockable Door Disconnect, Magnetic Contactor Purge Timer, Manufactured with all UL listed and CSA approved electrical components.

PROCESS INLET

2" FNPT	2" Ball valve
---------	---------------

PROCESS OUTLET

1 1/2" FNPT	1 1/2" Ball valve
-------------	-------------------

PURGE PORT

Actuator motor	120VAC
Connection Type	1" Female NPT, Ball Valve

MAX. PRESSURE

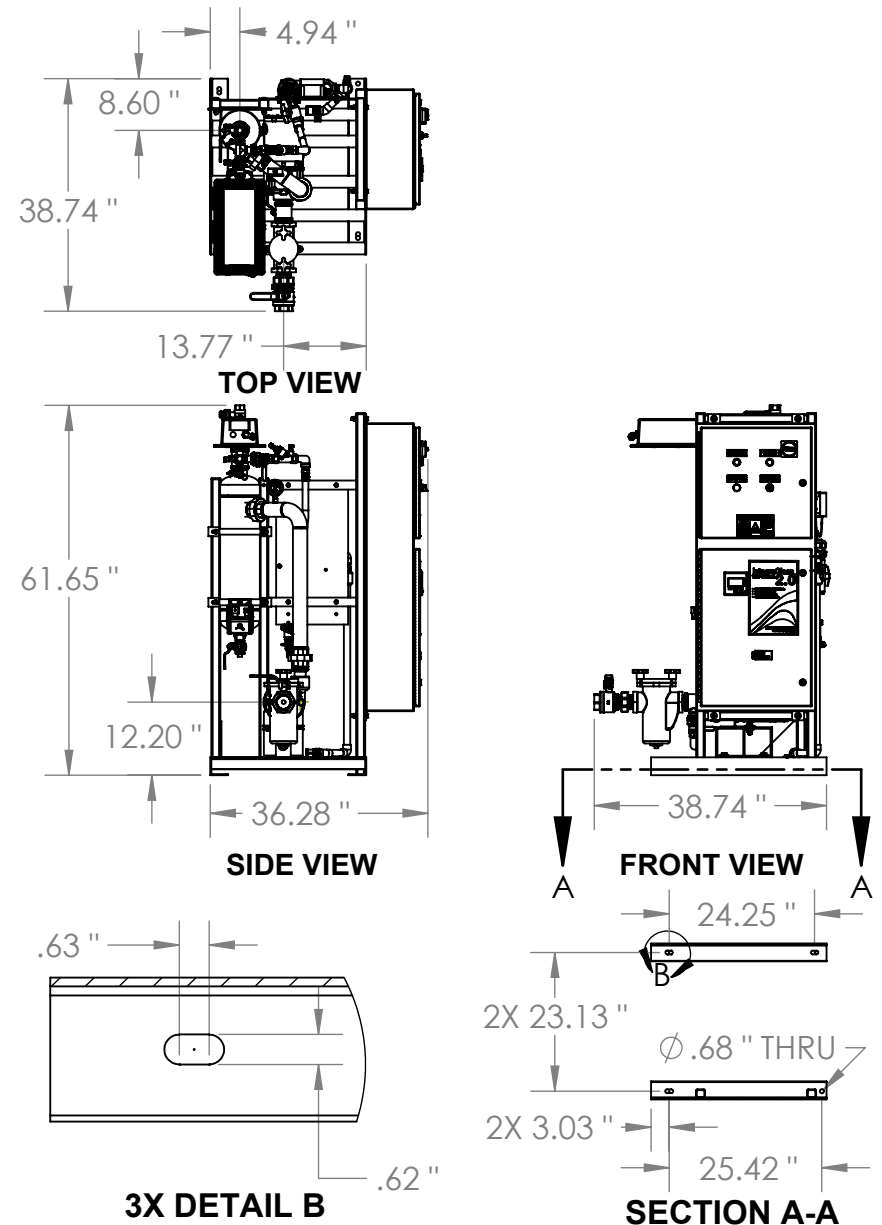
Pump inlet	100 psi. (6.9 bar)
Vessel	150 psi. (10.3 bar)

MAX. TEMPERATURE

System	100° F (38° C)
--------	----------------

WAVE

Dimensions	See separate specification sheet.
------------	-----------------------------------



IntegraClean-151-PKG