



# IntegraClean

THIS DRAWING IS FOR SPATIAL CONSIDERATION ONLY, AND SUBJECT TO CHANGE W/O PREVIOUS NOTICE, DO NOT PRE-PLUMB TO THESE DIMENSIONS

## WAVE 3.1 Reaction Chamber

Full Flow, Mounted In Condenser WaterLine (Size Per Contract Documents)

## WAVE 3.1 Reaction Chamber SideStream

To Clean Sweep

Condenser WaterLine

OR

Plumb WAVE 3.1 Reaction Chamber To System Outlet Flow

15ft. Signal Cable, (30ft. max.)

Electrical Control Box

Conductivity Controller

Process Outlet

Blowdown Valve Plumb To Drain

Purge Valve Plumb To Drain

Basket strainer (Optional)

Pump/Motor

Separator

From Clean Sweep

Skid

J-Box

Process Inlet

WAVE 3.1 Control Panel

Flow Switch

Conductivity Sensor

# IntegraClean

THIS DRAWING IS FOR SPATIAL CONSIDERATION ONLY, AND SUBJECT TO CHANGE W/O PREVIOUS NOTICE, DO NOT PRE-PLUMB TO THESE DIMENSIONS

## IntegraClean IC-201-D-HH

Flow Rate	125 gpm at 40 THD				
Separator Model	CS-2T-THD, Carbon Steel, Powder Coated.				
Frame Construction	Carbon Steel, Powder Coated.				
Pipe Assembly	Carbon Steel, rust inhibitor primer, with enamel finish.				

### ELECTRICAL

Motor Horsepower	2				
Motor RPM	3500	3500	2900	3500	3500
Motor Voltage, 3 Phase	460	575	380-415	230	208
Motor Amperage	3.4	2.7	4.3	6.8	7.5
<b>System Total Amperage</b>	<b>8</b>	<b>7</b>	<b>9</b>	<b>11</b>	<b>12</b>

### PUMP

Pump Operation	Flooded suction required
Pump Casing	Cast iron
Pump Impeller	Cast iron
Std. Mechanical Seal	Buna seal, carbon rotary, ceramic stationary.

### BASKET STRAINER (OPTIONAL)

Body Construction	Cast iron
Internal Screen	1/4" perforated 304 Stainless Steel
Connection Type	Female NPT thread

### CONTROL PANEL (UL listed and labeled, manufactured to UL-508A Std.)

Enclosure	NEMA 4, Powder Coated, Watertight, UL listed and CSA appoved. (NEMA 4X, Optional)
Electrical Components	Starter with Thermal Overload, HOA, stepdown, Pump "RUN" lights, Lockable Door Disconnect, Magnetic Contactor Purge Timer, Manufactured with all UL listed and CSA approved electrical components.

### PROCESS INLET

3" FNPT	3" Gate valve
---------	---------------

### PROCESS OUTLET

2" FNPT	2" Ball valve
---------	---------------

### PURGE PORT

Actuator motor	120VAC
Connection Type	1" Female NPT, Ball Valve

### MAX. PRESSURE

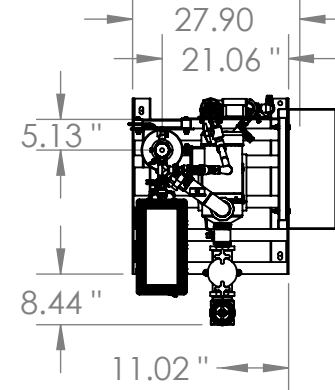
Pump inlet	100 psi. (6.9 bar)
Vessel	150 psi. (10.3 bar)

### MAX. TEMPERATURE

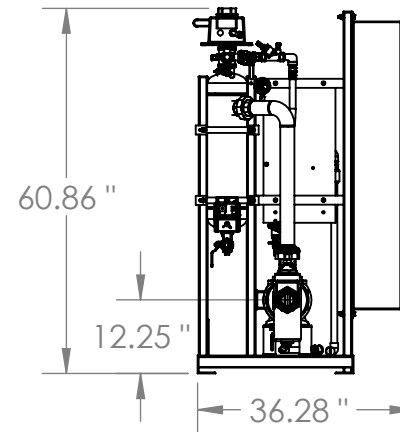
System	100° F (38° C)
--------	----------------

### WAVE

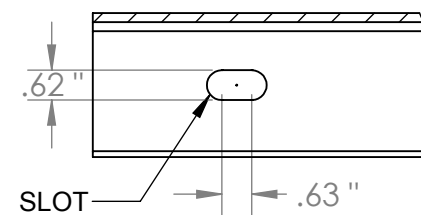
Dimensions	See separate specification sheet.
------------	-----------------------------------



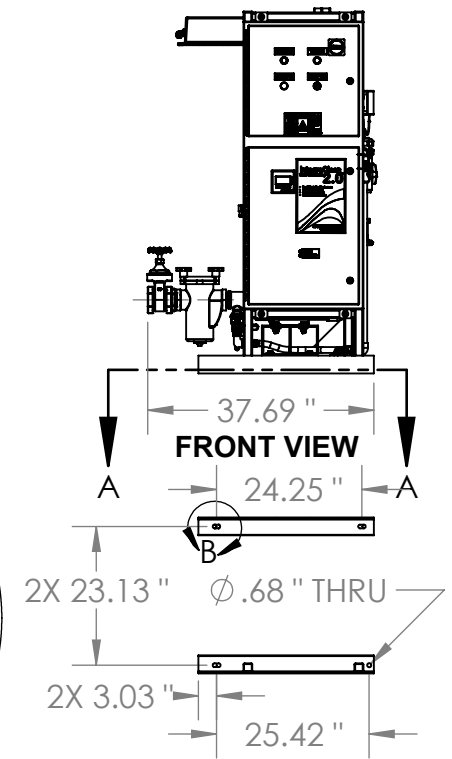
TOP VIEW



SIDE VIEW



3X DETAIL B



FRONT VIEW

SECTION A-A