

INSTALLATION SmartMoto SAS VALVE ELIMINATOR KIT

Products covered: PVE-030

Parts:



1 x Electronic SAS valve eliminator



1 x Rubber cap



1 x Airbox Plastic Bung



1 x Tier Up

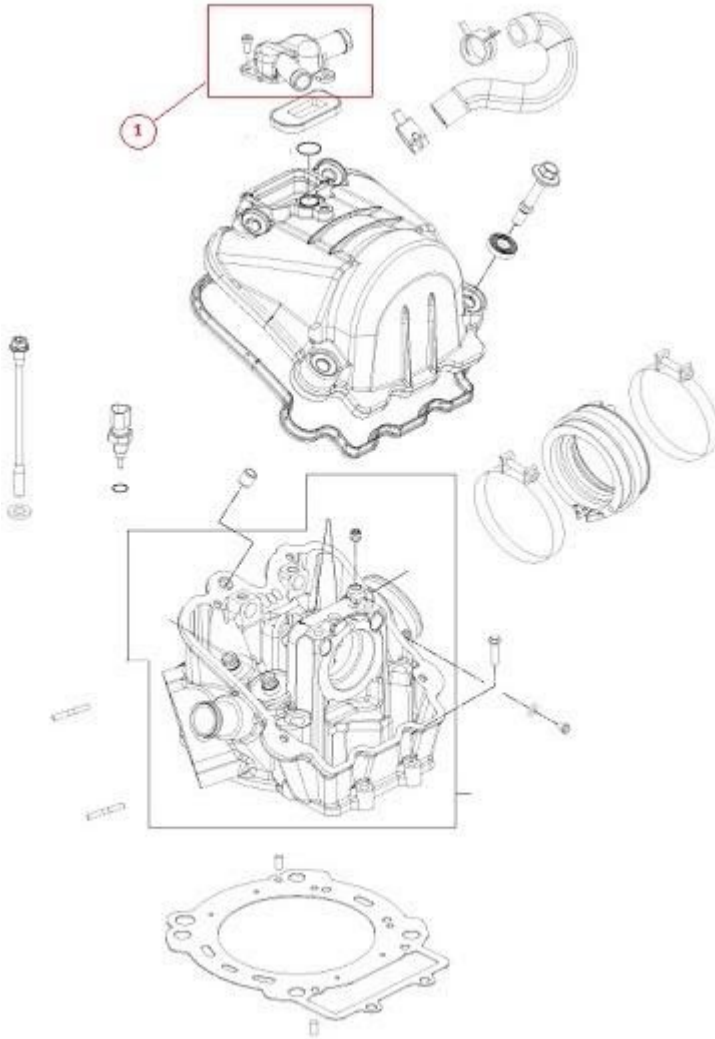
The idea of the whole procedure is to remove the SAS solenoid off the motorcycle together with the SAS airbox pipe and the pipe that goes to the SAS plate on the cylinder head and cover the airbox and SAS plate ports with the included rubber caps. Last step is to bypass the SAS system with the electronic SAS valve eliminator.

This kit will let you completely remove the SAS system from your motorcycle.

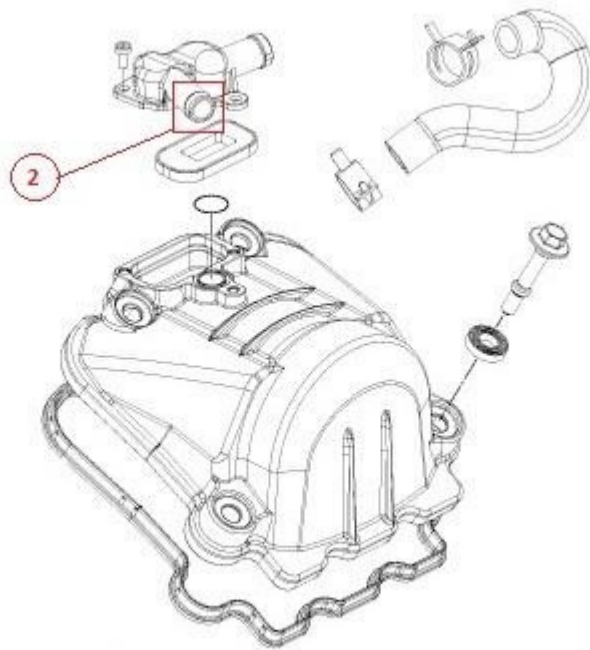
Please read the steps carefully before starting the installation and note that the ignition must be turned **OFF** during the whole procedure

STEP 1: Remove seat and fuel tank

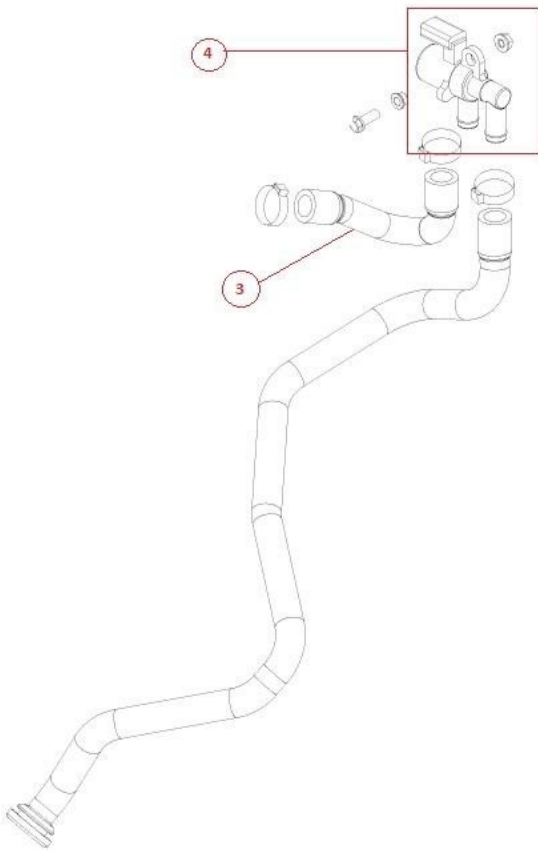
STEP 2: Locate the SAS plate on the cylinder head (1)



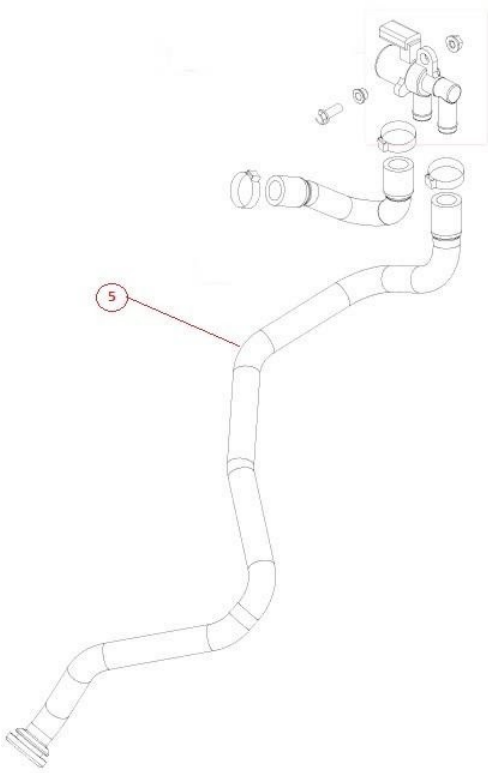
STEP 3: Remove the SAS hose from the port (2) on the SAS plate and keep the retainer piece. Then cover the port (2) with the rubber cap found in the kit and secure it with the retainer piece..



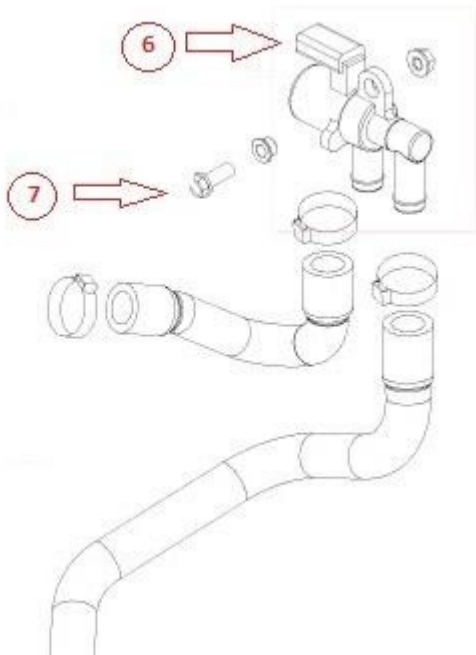
STEP 4: Follow the SAS hose (3) that you removed from the SAS plate until you find the SAS solenoid (4)



STEP 5: Follow the Airbox hose (5) to from the solenoid to the Airbox, remove the hose from the airbox port and cover the port with the plastic bung found in the kit.



STEP 6: Disconnect the electrical connector (6) and unbolt the screw (7) and remove the SAS solenoid and the two hoses from the motorcycle



To eliminate the SAS system you need to connect the electronic SAS eliminator to the wiring harness.

STEP 7: Now go to the electrical connector that you disconnected from the SAS solenoid.



STEP 8: Connect the electronic SAS valve eliminator to this connector by aligning the tabs of the two connectors and push the eliminator all the way in.



STEP 9: Use the included tier up to secure the connector on the frame of the motorcycle.

You have bypassed the SAS system!

That's it, now you can put everything in place and start the engine.