



**COMMERCIAL
PRODUCT SPECIFICATIONS**

Bulletin No. 211010
March 2023
Supersedes December 2022

**ELITE®
SERIES**



072-090 Models



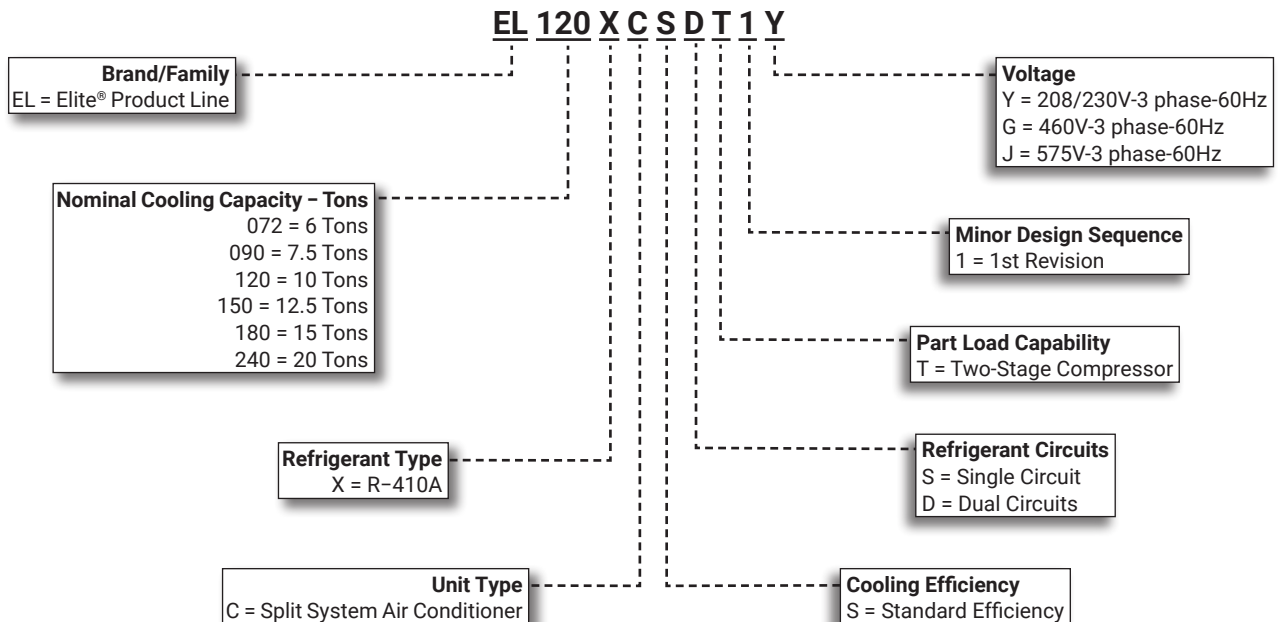
120-150 Models



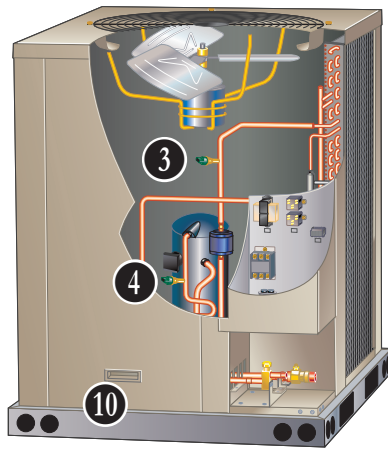
180-240 Models

IEER up to 16.0
6 to 20 Tons
Cooling Capacity - 71,000 to 232,000 Btuh

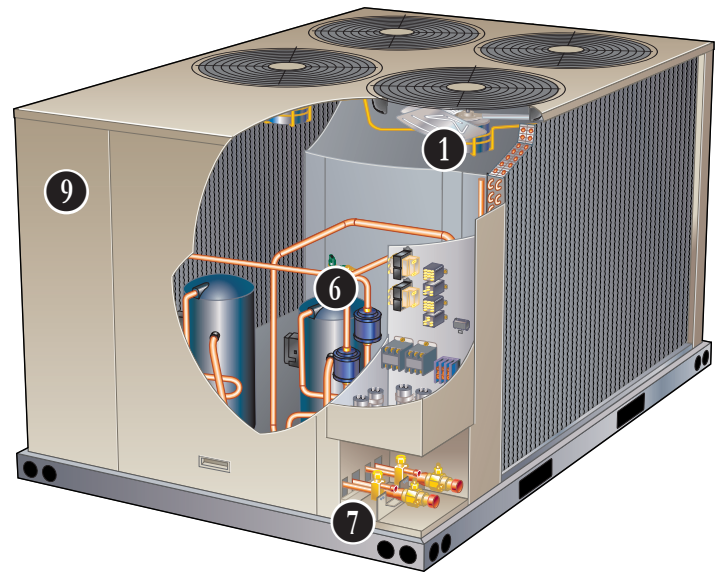
MODEL NUMBER IDENTIFICATION



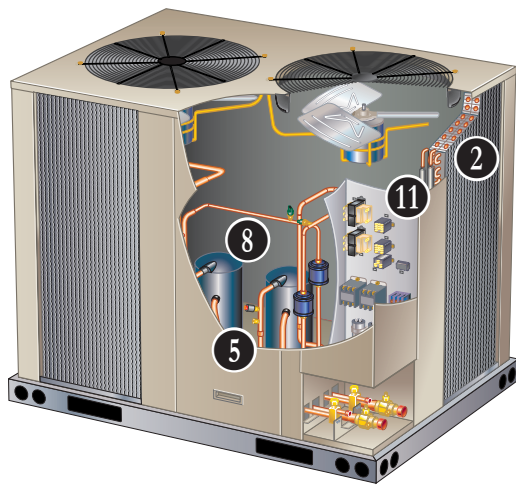
FEATURE HIGHLIGHTS



072-090 Models



180-240 Models



120 Model (150 Model Similar)

1. Outdoor Coil Fans
2. Copper Tube/Enhanced Fin Coils
3. High Pressure Switch
4. Low Pressure Switch
5. Loss of Charge Switch
6. Hi-Capacity Driers
7. Refrigerant Lines and Service Valves
8. Scroll Compressors
9. Heavy Gauge Pre-Painted Steel Cabinet
10. Heavy Duty Steel Base Rails
11. Control Box

CONTENTS

| | |
|---|----|
| AHRI System Matches | 13 |
| Approvals And Warranty | 3 |
| Dimensions | 15 |
| - EL072XCSS EL090XCSS | 15 |
| - EL120XCSS EL120XCSD EL150XCSD | 16 |
| - EL180XCSD EL240XCSD | 17 |
| Features And Benefits | 3 |
| Model Number Identification. | 1 |
| Optional Conventional Temperature Control Systems | 7 |
| Options / Accessories | 12 |
| Ratings | 18 |
| Sequence Of Operation. | 6 |
| Sound Data | 12 |
| Specifications | 8 |
| - 6 Ton 7.5 Ton | 8 |
| - 10 Ton | 9 |
| - 12.5 Ton 20 Ton | 10 |
| Unit Clearances | 14 |
| Weight Data | 11 |

APPROVALS AND WARRANTY

APPROVALS

- AHRI Standard 340/360 certified
- ETL listed
- All units meet cooling requirements of ASHRAE 90.1, IECC 2015, and California Code of Regulations, Title 24
- Tested in Lennox' Research Laboratory environmental test room or ETL certified environmental testing facility
- Sound tested in Lennox reverberant sound test room in accordance with test conditions included in AHRI Standard 270 or 370
- Unit and components UL, ULC, NEC and CEC bonded for grounding to meet safety standards for servicing
- All models are ASHRAE 90.1 energy efficiency compliant and meet or exceed requirements of Section 6.8
- All models meet DOE 2023 energy efficiency standards
- ISO 9001 Registered Manufacturing Quality System

WARRANTY

- Compressors - Limited five years in non-residential applications
- All other covered components - Limited one year

FEATURES AND BENEFITS

APPLICATIONS

- One Compressor - 6, 7.5, 10 ton models
- Two Compressors - 10, 12.5, 15 and 20 ton models
- Applicable to matching indoor air handlers and indoor add-on coils
- Shipped completely factory assembled, piped, and wired
- Test operated at the factory insuring proper operation

REFRIGERATION SYSTEM

R-410A Refrigerant

- Non-chlorine, ozone friendly

NOTE - Refrigerant is not furnished and must be field supplied.

1 Outdoor Coil Fans

- One Outdoor Fan - 072 and 090
- Two Outdoor Fans - 120 and 150
- Four Outdoor Fans - 180 and 240
- Direct drive fans moves large volumes of air uniformly through entire condenser coil for high refrigerant cooling capacity
- Totally enclosed fan motors
- Overload protected
- Rain shield furnished

2 Copper Tube/Enhanced Fin Coils

- Wrap-around "U" Shaped Coil - 072-090-120 models
- Two "L" Shaped Coils - 150-180-240 models
- Lennox designed and fabricated coils
- Ripple-edge aluminum fins
- Seamless copper tube construction
- Lanced fins for maximum fin surface exposure
- Fin collars grip tubing for maximum contact area
- Flared shoulder tubing connections
- Machine brazed silver soldering
- Factory tested under high pressure
- Completely accessible for cleaning

3 High Pressure Switches

- Protects the system from high pressure conditions
- Manual reset

4 Low Pressure Switches

- EL072XCSS, EL090XCSS, EL120XCSS single circuit models
- Shuts off unit if suction pressure falls below setting
- Loss of charge and freeze-up protection
- Automatic reset

5 Loss of Charge Switches

- EL120XCSD, EL150XCSD, EL180XCSD, EL240XCSD dual circuit models
- Shuts off unit if liquid line pressure falls below setting
- Provides loss of charge and freeze-up protection
- Automatic reset

6 Hi-Capacity Driers

- Traps moisture or dirt

7 Refrigerant Lines and Service Valves

- Suction and liquid lines located on corner of unit
- Sweat connections
- See dimension drawings
- Fully serviceable suction and liquid line service valves provide complete service access to refrigerant system
- Suction valve can be fully shut off, while liquid valve can be front seated to manage refrigerant charge while servicing system
- Accessible outside of unit cabinet

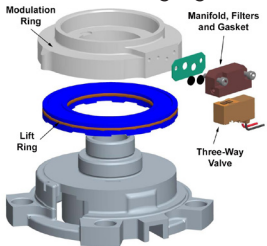
FEATURES AND BENEFITS

SCROLL COMPRESSORS

- 8 • Single Two-Stage Compressor - EL072**XCSS**, EL090**XCSS** and EL120**XCSS** single circuit models
- Dual Two-Stage Compressors - EL120**XCSD**, EL150**XCSD**, EL180**XCSD** and EL240**XCSD** dual-circuit models
- High efficiency with uniform suction flow
- Constant discharge flow, high volumetric efficiency and quiet operation
- Low gas pulses during compression reduces operational sound levels
- Compressor motor is internally protected from excessive current and temperature
- Compressor is installed in the unit on resilient rubber mounts for vibration free operation

Scroll Compressor Operation

- Two involute spiral scrolls matched together generate a series of crescent-shaped gas pockets between them
- During compression, one scroll remains stationary while the other scroll orbits around it
- Gas is drawn into the outer pocket, the pocket is sealed as the scroll rotates
- As the spiral movement continues, gas pockets are pushed to the center of the scrolls
- Volume between the pockets is simultaneously reduced
- When the pocket reaches the center, gas is now at high pressure and is forced out of a port located in the center of the fixed scrolls
- During compression, several pockets are compressed simultaneously resulting in a smooth continuous compression cycle
- Continuous flank contact, maintained by centrifugal force, minimizes gas leakage and maximizes efficiency
- Compressor is tolerant to the effects of slugging and contaminants
- If this occurs, scrolls separate, allowing liquid or contaminants to be worked toward the center and discharged
- A 24-volt DC solenoid valve inside the compressor controls staging



- When the 3-way solenoid is energized it moves the lift ring assembly to block the ports and the compressor operates at full-load or 100% capacity
- When the solenoid is de-energized the lift ring assembly moves to unblock the compressor

ports and the compressor operates at part-load or approximately 67% of its full-load capacity

- The "loading" and "unloading" of the two stage scroll is done "on the fly" without shutting off the single-speed compressor motor between stages

Crankcase Heater

- Crankcase heater(s) prevents migration of liquid refrigerant into compressor(s) and ensures proper compressor lubrication

CABINET

- 9 • Heavy-gauge, pre-painted steel cabinet
- Removable panels for unit servicing
- 10 • Heavy duty steel base rails raise the unit off of mounting surface
- Unit lifting holes and forklift slots furnished in base rails
- See dimension drawings
- 11 • Control Box
- Control box located in separate compartment in unit cabinet
- All controls are pre-wired at the factory
- Control box is large enough for field installed DDC or other field supplied control modules

Options/Accessories

Factory Installed

Corrosion Protection

- Available for enhanced condenser coil corrosion protection
- Polymeric epoxy coating deposited by electrical transport (electrophoresis) using a process known as electrocoat (e-coat)
- Painted base pan furnished

Field Installed

Combination Coil/Hail Guards

- Heavy gauge steel frame with expanded metal mesh to protect the outdoor coil from damage

FEATURES AND BENEFITS

CONTROLS

Options/Accessories

Field Installed

Low Ambient Control

- Air conditioning units operate satisfactorily down to 45°F outdoor air temperature without any additional controls
- Kit allows unit operation down to 0°F
- Head pressure speed controller reduces outdoor fan operation during low ambient conditions until head pressure rises to the setpoint
- Pressure transducers are mounted on the liquid lines
- High pressure switches are furnished to replace existing switches
- Wiring harnesses are furnished for simple plug-in wiring to fans and controller

Indoor Air Quality (CO₂) Sensors

- Monitors CO₂ levels
- Adjusts economizer dampers as needed

Thermostat

- Thermostat is not furnished with unit and must be ordered extra

Aftermarket Unit Controller Options

- See Options/Accessories table for selection

Furnace Twinning Panel

- Required to operate two identical furnaces simultaneously from a single thermostat
- For single stage conventional (1 heat/1 cool), multi-stage conventional (2 heat/2 cool) and heat pump (3 heat/2 cool) equipment
- Can be used with common or separate ducted systems
- Contains PC Control Board with terminal strip connections for thermostat and HVAC equipment
- LEDs indicate system operating status
- Uses standard 18-gauge thermostat wire
- Power Supply: 24 VAC, 40VA (transformer not furnished)
- Mounting base with hardware furnished
- Dimensions (H x W x D): 10 x 5 x 2 in.

NOTE - Only identical furnaces should be twinned in order to ensure that both furnace blowers start at the same time. If furnaces are not identical, back draft dampers can be installed in either the supply or return duct.

Up to four identical furnaces can be twinned. Requires two panels that are wired together.

Aftermarket Unit Controller Options

- See Options/Accessories table for selection

ELECTRICAL

Field Installed

GFI Service Outlets (2)

- 115V ground fault circuit interrupter (GFCI) type
- Non-powered
- Field wired

SEQUENCE OF OPERATION

The outdoor unit and indoor unit cycle on demand from the room thermostat.

For details on the outdoor unit component operation based on thermostat demand, refer to the table below.

EL072XCSS, EL090XCSS

| Thermostat Demand | ² Input Signals at Terminal Strip | Compressor Output | | Fan | | | |
|----------------------------|--|-------------------|-----|-----------|-----|-----|-----|
| | | | | (B4) | --- | --- | --- |
| (¹ Key Number) | (TB14) | (B1) | --- | (B4) | --- | --- | --- |
| STANDBY | R | OFF | --- | OFF | --- | --- | --- |
| COOLING 1 | C1 | LOW | --- | ON | --- | --- | --- |
| COOLING 2 | C1+C2 | HIGH | --- | ON | --- | --- | --- |

EL120XCSS

| Thermostat Demand | ² Input Signals at Terminal Strip | Compressor Output | | Fans | | | |
|----------------------------|--|-------------------|-----|-----------|-----------|-----|-----|
| | | | | (B4) | (B5) | --- | --- |
| (¹ Key Number) | (TB14) | (B1) | --- | (B4) | (B5) | --- | --- |
| STANDBY | R | OFF | --- | OFF | OFF | --- | --- |
| COOLING 1 | C1 | LOW | --- | ON | ON | --- | --- |
| COOLING 2 | C1+C2 | HIGH | --- | ON | ON | --- | --- |

EL120XCSD

| Thermostat Demand | ² Input Signals at Terminal Strip | Compressor Output | | Fans | | | |
|----------------------------|--|-------------------|-------------|-----------|-----------|-----|-----|
| | | | | (B4) | (B5) | --- | --- |
| (¹ Key Number) | (TB14) | (B1) | (B2) | (B4) | (B5) | --- | --- |
| STANDBY | R | OFF | OFF | OFF | OFF | --- | --- |
| COOLING 1 | C1 | LOW | OFF | ON | ON | --- | --- |
| COOLING 2 | C1+C2 | LOW | LOW | ON | ON | --- | --- |
| COOLING 3 | C1+C2+C3 | HIGH | HIGH | ON | ON | --- | --- |

EL150XCSD

| Thermostat Demand | ² Input Signals at Terminal Strip | Compressor Output | | Fans | | | |
|----------------------------|--|-------------------|-------------|-----------|-----------|-----|-----|
| | | | | (B4) | (B5) | --- | --- |
| (¹ Key Number) | (TB14) | (B1) | (B2) | (B4) | (B5) | --- | --- |
| STANDBY | R | OFF | OFF | OFF | OFF | --- | --- |
| COOLING 1 | C1 | LOW | OFF | ON | OFF | --- | --- |
| COOLING 2 | C1+C2 | LOW | LOW | ON | ON | --- | --- |
| COOLING 3 | C1+C2+C3 | HIGH | HIGH | ON | ON | --- | --- |

EL180XCSD, EL240XCSD

| Thermostat Demand | ² Input Signals at Terminal Strip | Compressor Output | | Fans | | | |
|----------------------------|--|-------------------|-------------|-----------|-----------|-----------|-----------|
| | | | | (B4) | (B5) | (B21) | (B22) |
| (¹ Key Number) | (TB14) | (B1) | (B2) | (B4) | (B5) | (B21) | (B22) |
| STANDBY | R | OFF | OFF | OFF | OFF | OFF | OFF |
| COOLING 1 | C1 | LOW | OFF | ON | ON | OFF | OFF |
| COOLING 2 | C1+C2 | LOW | LOW | ON | ON | ON | ON |
| COOLING 3 | C1+C2+C3 | HIGH | HIGH | ON | ON | ON | ON |

¹ Refer to Component Label or Wiring Diagram for key numbers.

² 24V input signals measured between one TB14 connection listed and TB14-C connection.

OPTIONAL CONVENTIONAL TEMPERATURE CONTROL SYSTEMS

CS7500 Commercial 7-Day Programmable Thermostat



- Four-Stage Heating / Three-Stage Cooling
- Universal Multi-Stage
- Intuitive Touchscreen Interface
- Automatic Changeover between Heating and Cooling
- Full Seven-Day Programming
- Four Time Periods Per Day
- Temperature and Humidity Control
- One-Touch Away Mode
- Holiday Scheduling
- Smooth Setback Recovery (SSR)
- Performance Reports
- Notifications/Reminders
- Dehumidification/Humiditrol® Control for Split Systems and Rooftop Units
- Economizer Relay Control
- Backlit Display
- Wallplate Furnished
- FDD, ASHRAE and IECC Compliant

CS3000 Commercial 5-2 Day Programmable Thermostat



- Two-Stage Heating / Two-Stage Cooling
- Conventional Systems
- Intuitive Interface
- 5-2 Day Programming
- Program Hold
- Remote Indoor Temperature Sensing
- Smooth Setback Recovery (SSR)
- Economizer Relay Control
- Maintenance/Filter/Service Reminders
- Backlit Display
- Wallplate Furnished
- Simple Up and Down Temperature Control

Optional Accessory

Cooling Stage-Up Timer Relay

- Allows the unit to attain an additional stage of cooling without the need for extra thermostat connections
- Adjustable - 1 to 1023 seconds
- Mounts internal to unit

OPTIONAL CONVENTIONAL TEMPERATURE CONTROL SYSTEMS

| Description | Catalog No. |
|--|--|
| CS7500 Commercial 7-Day Programmable Thermostat | |
| CS7500 7-Day Thermostat | 24K41 |
| Sensors/Accessories | ² Remote non-adjustable wall-mount 20k 47W36 |
| | ² Remote non-adjustable wall-mount 10k 47W37 |
| | Remote non-adjustable discharge air (duct mount) 19L22 |
| | Outdoor temperature sensor X2658 |
| CS3000 Commercial 5-2 Day Programmable Thermostat | |
| CS3000 5-2 Day Thermostat | 11Y05 |
| Sensors/Accessories | Remote non-adjustable wall mount 10k averaging 47W37 |
| | Thermostat wall mounting plate X2659 |
| Optional Accessory | |
| | Cooling Stage-Up Timer Relay 24G40 |
| Universal Thermostat Guard with Lock (clear) | |
| | Inside Dimensions (H x W) 5 7/8 x 8 3/8 in. 39P21 |

¹ Up to nine of the same type remote temperature sensors can be connected in parallel.

² Remote wall-mount sensors can be applied in any of the following combinations:
 One Sensor - (1) 47W36, Two Sensors - (2) 47W37, Three Sensors - (2) 47W36 and (1) 47W37
 Four Sensors - (4) 47W36, Five Sensors - (3) 47W36 and (2) 47W37

SPECIFICATIONS
6 TON | 7.5 TON

| General Data | | Model No. | EL072XCSS | EL090XCSS |
|----------------------|---|--|---|---|
| | | Nominal Size - Tons | 6 | 7.5 |
| Connections (sweat) | Liquid line - in. (o.d) | | (1) 3/8 | (1) 5/8 |
| | Suction line - in. (o.d) | | (1) 1-1/8 | (1) 1-1/8 |
| Refrigerant (R-410A) | Factory Charge | R-410A holding charge (2 lbs. per circuit) | | |
| | No. of Circuits | | 1 | 1 |
| | ¹ Field charge (25 ft. line set) | | 18 lbs. 0 oz. (includes holding charge) | 20 lbs. 0 oz. (includes holding charge) |
| Compressor | | | (1) Two Stage Scroll | (1) Two Stage Scroll |
| Condenser Coil | Net face area - sq. ft. Outer coil | | 29.3 | 29.3 |
| | Inner coil | | 14.2 | 28.4 |
| | Tube diameter - in. & no. of rows | | 3/8 - 1.5 | 3/8 - 2 |
| | Fins per inch | | 20 | 20 |
| Condenser Fan(s) | Diameter - in. & no. of blades | | (1) 24 - 3 | (1) 24 - 4 |
| | Motor hp | | (1) 1/3 | (1) 1/2 |
| | Total air volume - cfm | | 4700 | 5600 |
| | Rpm | | 1075 | 1075 |
| | Watts | | 400 | 580 |

ELECTRICAL DATA

| Line voltage data - 60 hz - 3 phase | | 208/230V | 460V | 575V | 208/230V | 460V | 575V |
|--|--------------------|----------|------|------|----------|------|------|
| ² Maximum Overcurrent Protection (amps) | | 40 | 20 | 15 | 60 | 25 | 20 |
| ³ Minimum circuit ampacity | | 25 | 12 | 9 | 37 | 17 | 13 |
| Compressor | No. of Compressors | 1 | 1 | 1 | 1 | 1 | 1 |
| | Rated load amps | 17.6 | 8.5 | 6.3 | 26.9 | 12 | 9 |
| | Locked rotor amps | 136 | 66.1 | 55.3 | 165 | 94 | 65 |
| Condenser Fan Motor (1 phase) | No. of motors | 1 | 1 | 1 | 1 | 1 | 1 |
| | Full load amps | 2.4 | 1.3 | 1 | 3 | 1.5 | 1.2 |
| | Locked rotor amps | 4.3 | 2.4 | 1.9 | 6 | 3 | 2.9 |

NOTE - All units have a minimum Short Circuit Current Rating (SCCR) of 5000 amps.

NOTE - Extremes of operating range are plus and minus 10% of line voltage.

¹ Approximate field provided charge with 25 ft. line set. Refer to unit installation instructions for detailed charging information.

Refer to the Lennox Refrigerant Piping Manual to determine refrigerant charge required with longer length refrigerant lines.

² HACR type circuit breaker or fuse.

³ Refer to National or Canadian Electrical Code manual to determine wire, fuse and disconnect size requirements.

SPECIFICATIONS - 10 TON
10 TON

| General Data | | Model No. | EL120XCSS | EL120XCSD | |
|----------------------|---|--|---|---|--|
| | | Nominal Size - Tons | 10 | 10 | |
| Connections (sweat) | Liquid line - in. (o.d) | | (1) 5/8 | (2) 3/8 | |
| | Suction line - in. (o.d) | | (1) 1-1/8 | (2) 1-1/8 | |
| Refrigerant (R-410A) | Factory Charge | R-410A holding charge (2 lbs. per circuit) | | | |
| | No. of Circuits | | 1 | 2 | |
| | ¹ Field charge (25 ft. line set) | Circuit 1 | 23 lbs. 0 oz. (includes holding charge) | 12 lbs. 0 oz. (includes holding charge) | |
| | | Circuit 2 | - - - | 12 lbs. 0 oz. (includes holding charge) | |
| Compressor | | | (1) Two Stage Scroll | (2) Two Stage Scroll | |
| Condenser Coil | Net face area - sq. ft. Outer coil | | 29.3 | 29.3 | |
| | Inner coil | | 28.4 | 28.4 | |
| | Tube diameter - in. & no. of rows | | 3/8 - 2 | 3/8 - 2 | |
| | Fins per inch | | 20 | 20 | |
| Condenser Fan(s) | Diameter - in. & no. of blades | | (2) 24 - 3 | (2) 24 - 3 | |
| | Motor hp | | (2) 1/3 | (2) 1/3 | |
| | Total air volume - cfm | | 8300 | 8300 | |
| | Rpm | | 1075 | 1075 | |
| | Watts | | 830 | 830 | |

ELECTRICAL DATA

| Line voltage data - 60 hz - 3 phase | | 208/230V | 460V | 575V | 208/230V | 460V | 575V |
|--|---------------------------|-----------|-----------|-----------|-----------|-----------|-----------|
| ² Maximum Overcurrent Protection (amps) | | 80 | 35 | 25 | 50 | 20 | 15 |
| ³ Minimum circuit ampacity | | 49 | 22 | 16 | 37 | 18 | 14 |
| Compressor | No. of Compressors | 1 | 1 | 1 | 2 | 2 | 2 |
| | Rated load amps (total) | 34.6 | 14.8 | 11.1 | 14 (28) | 6.5 (13) | 4.9 (9.8) |
| | Locked rotor amps (total) | 240 | 130 | 93.7 | 93 (186) | 60 (120) | 41 (82) |
| Condenser Fan Motor (1 phase) | No. of motors | 2 | 2 | 2 | 2 | 2 | 2 |
| | Full load amps (total) | 2.4 (4.8) | 1.3 (2.6) | 1 (2) | 2.4 (4.8) | 1.3 (2.6) | 1 (2) |
| | Locked rotor amps (total) | 4.3 (8.6) | 2.4 (4.8) | 1.9 (3.8) | 4.3 (8.6) | 2.4 (4.8) | 1.9 (3.8) |

NOTE - All units have a minimum Short Circuit Current Rating (SCCR) of 5000 amps.

NOTE - Extremes of operating range are plus and minus 10% of line voltage.

¹ Approximate field provided charge with 25 ft. line set. Refer to unit installation instructions for detailed charging information. Refer to the Lennox Refrigerant Piping Manual to determine refrigerant charge required with longer length refrigerant lines.

² HACR type circuit breaker or fuse.

³ Refer to National or Canadian Electrical Code manual to determine wire, fuse and disconnect size requirements.

SPECIFICATIONS

12.5 TON | 20 TON

| General Data | | Model No. | EL150XCSD | EL180XCSD | EL240XCSD |
|----------------------|---|--|---|---|---|
| Nominal Size - Tons | | | 12.5 | 15 | 20 |
| Connections (sweat) | Liquid line - in. (o.d) | | (2) 3/8 | (2) 5/8 | (2) 5/8 |
| | Suction line - in. (o.d) | | (2) 1-1/8 | (2) 1-1/8 | (2) 1-1/8 |
| Refrigerant (R-410A) | Factory Charge | R-410A holding charge (2 lbs. per circuit) | | | |
| | No. of Circuits | | 2 | 2 | 2 |
| | ¹ Field charge (25 ft. line set) | Circuit 1 | 15 lbs. 0 oz. (includes holding charge) | 24 lbs. 0 oz. (includes holding charge) | 22 lbs. 4 oz. (includes holding charge) |
| Circuit 2 | | 15 lbs. 0 oz. (includes holding charge) | 24 lbs. 0 oz. (includes holding charge) | 23 lbs. 3 oz. (includes holding charge) | |
| Compressor | | | (2) Two Stage Scroll | (2) Two Stage Scroll | (2) Two Stage Scroll |
| Condenser Coil | Net face area - sq. ft. Outer coil | | 34.2 | 58.7 | 58.7 |
| | Inner coil | | 33.3 | 57.7 | 57.7 |
| | Tube diameter - in. & no. of rows | | 3/8 - 2 | 3/8 - 2 | 3/8 - 2 |
| | Fins per inch | | 20 | 20 | 20 |
| Condenser Fan(s) | Diameter - in. & no. of blades | | (2) 24 - 4 | (4) 24 - 3 | (4) 24 - 3 |
| | Motor hp | | (2) 1/2 | (4) 1/3 | (4) 1/3 |
| | Total air volume - cfm | | 10,300 | 16,600 | 16,600 |
| | Rpm | | 1075 | 1075 | 1075 |
| | Watts | | 1130 | 1660 | 1660 |

ELECTRICAL DATA

| Line voltage data - 60 hz - 3 phase | | 208/230V | 460V | 575V | 208/230V | 460V | 575V | 208/230V | 460V | 575V |
|--|---------------------------|-------------|--------------|--------------|-------------|-----------|-----------|-------------|-------------|--------------|
| ² Maximum Overcurrent Protection (amps) | | 60 | 30 | 20 | 90 | 40 | 30 | 110 | 50 | 40 |
| ³ Minimum circuit ampacity | | 46 | 23 | 17 | 71 | 33 | 25 | 88 | 39 | 29 |
| Compressor | No. of Compressors | 2 | 2 | 2 | 2 | 2 | 2 | 2 | 2 | 2 |
| | Rated load amps (total) | 17.6 (35.2) | 8.5 (17) | 6.3 (12.6) | 26.9 (53.8) | 12 (24) | 9 (18) | 34.6 (69.2) | 14.8 (29.6) | 11.1 (22.2) |
| | Locked rotor amps (total) | 136 (272) | 66.1 (132.2) | 55.3 (110.6) | 164 (328) | 100 (200) | 78 (156) | 240 (480) | 130 (260) | 93.7 (187.4) |
| Condenser Fan Motor (1 phase) | No. of motors | 2 | 2 | 2 | 4 | 4 | 4 | 4 | 4 | 4 |
| | Full load amps (total) | 3 (6) | 1.5 (3) | 1.2 (2.4) | 2.4 (9.6) | 1.3 (5.2) | 1 (4) | 2.4 (9.6) | 1.3 (5.2) | 1 (4) |
| | Locked rotor amps (total) | 6 (12) | 3 (6) | 2.9 (5.8) | 4.3 (17.2) | 2.4 (9.6) | 1.9 (7.6) | 4.3 (17.2) | 2.4 (9.6) | 1.9 (7.6) |

NOTE - All units have a minimum Short Circuit Current Rating (SCCR) of 5000 amps.

NOTE - Extremes of operating range are plus and minus 10% of line voltage.

¹ Approximate field provided charge with 25 ft. line set. Refer to unit installation instructions for detailed charging information. Refer to the Lennox Refrigerant Piping Manual to determine refrigerant charge required with longer length refrigerant lines.

² HACR type circuit breaker or fuse.

³ Refer to National or Canadian Electrical Code manual to determine wire, fuse and disconnect size requirements.

WEIGHT DATA

| Model No. | Net | | Shipping | |
|-----------|------|-----|----------|-----|
| | lbs. | kg | lbs. | kg |
| 072XCSS | 318 | 144 | 338 | 153 |
| 090XCSS | 345 | 157 | 365 | 166 |
| 120XCSS | 452 | 205 | 477 | 216 |
| 120XCSD | 486 | 220 | 511 | 232 |
| 150XCSD | 535 | 243 | 560 | 254 |
| 180XCSD | 784 | 356 | 809 | 367 |
| 240XCSD | 864 | 392 | 889 | 403 |

OPTIONS / ACCESSORIES**COMBINED COIL/HAIL GUARDS**

| | | | | |
|----------|----|----|-----|----|
| 072, 090 | 40 | 18 | 45 | 20 |
| 120 | 45 | 20 | 50 | 23 |
| 150 | 45 | 20 | 50 | 23 |
| 180, 240 | 90 | 41 | 100 | 45 |

OPTIONS / ACCESSORIES

| Item Description | Catalog No. | EL 072 | EL 090 | EL 120 | EL 120 | EL 150 | EL 180 | EL 240 |
|---------------------------|-------------|--------|--------|--------|--------|--------|--------|--------|
| | | XCSS | XCSS | XCSS | XCSD | XCSD | XCSD | XCSD |
| CABINET | | | | | | | | |
| Combined Coil/Hail Guards | 13T29 | X | X | | | | | |
| | 13T30 | | | X | X | | | |
| | 13T32 | | | | | X | | |
| | 13T37 | | | | | | X | X |
| Corrosion Protection | Factory | O | O | O | O | O | O | O |

CONTROLS

| | | | | | | | | |
|--------------------------------|-------|---|---|---|---|---|---|---|
| BACnet® Module | 17A08 | X | X | X | | | | |
| BACnet® Sensor with Display | 97W23 | X | X | X | | | | |
| BACnet® Sensor without Display | 97W24 | X | X | X | | | | |
| Low Ambient Control (0°F) | 16F18 | X | X | | | | | |
| | 16F26 | | | X | | | | |
| | 16F24 | | | | X | | | |
| | 24K11 | | | | | X | | |
| | 16F25 | | | | | | X | X |
| Furnace Twinning Panel | Y3653 | X | X | X | | | | |

ELECTRICAL

| | | | | | | | | | |
|---------------------|---|-------|---|---|---|---|---|---|---|
| GFI Service Outlets | 15 amp non-powered, field-wired (208/230V, 460V only) | 74M70 | X | X | X | X | X | X | X |
| | 20 amp non-powered, field-wired (575V only) | 67E01 | X | X | X | X | X | X | X |

INDOOR AIR QUALITY

| | | | | | | | | |
|--|-------|---|---|---|---|---|---|---|
| Sensor - Wall-mount, off-white plastic cover with LCD display | 77N39 | X | X | X | X | X | X | X |
| Sensor - Wall-mount, off-white plastic cover, no display | 23V86 | X | X | X | X | X | X | X |
| Sensor - Black plastic case with LCD display, rated for plenum mounting | 87N52 | X | X | X | X | X | X | X |
| Sensor - Wall-mount, black plastic case, no display, rated for plenum mounting | 87N54 | X | X | X | X | X | X | X |
| CO ₂ Sensor Duct Mounting Kit | 85L43 | X | X | X | X | X | X | X |
| Aspiration Box - for duct mounting non-plenum rated CO ₂ sensor (77N39) | 90N43 | X | X | X | X | X | X | X |

NOTE - The catalog and model numbers that appear here are for ordering field installed accessories only.

O - Factory Installed with extended lead time.

X - Field Installed

SOUND DATA

| 1 Unit Model | Octave Band Sound Power Levels dBA, re 10 ⁻¹² Watts Center Frequency - HZ | | | | | | | 1 Sound Rating Number (dBA) | 2 Estimated Sound Pressure Level at Distance From Unit (dBA at distance in ft.) | | | | |
|--------------|--|-----|-----|------|------|------|------|-----------------------------|---|----|----|----|----|
| | 125 | 250 | 500 | 1000 | 2000 | 4000 | 8000 | | 3 | 5 | 10 | 15 | 50 |
| EL072XCSS | 65 | 68 | 73 | 76 | 72 | 68 | 63 | 81 | 74 | 69 | 63 | 60 | 49 |
| EL090XCSS | 64 | 69 | 73 | 77 | 74 | 70 | 63 | 81 | 74 | 69 | 63 | 60 | 49 |
| EL120XCSS | 70 | 77 | 82 | 81 | 77 | 75 | 71 | 86 | 79 | 74 | 68 | 65 | 54 |
| EL120XCSD | 71 | 77 | 80 | 80 | 77 | 72 | 67 | 85 | 78 | 73 | 67 | 64 | 53 |
| EL150XCSD | 68 | 77 | 80 | 82 | 78 | 73 | 65 | 86 | 79 | 74 | 68 | 65 | 54 |
| EL180XCSD | 73 | 80 | 83 | 83 | 79 | 74 | 66 | 88 | 81 | 76 | 70 | 67 | 56 |
| EL240XCSD | 73 | 80 | 85 | 84 | 80 | 78 | 74 | 89 | 82 | 77 | 71 | 68 | 57 |

NOTE - The octave sound power data does not include tonal correction.

¹ Tested according to AHRI Standard 270-2008 test conditions. Sound rating Number is the overall A-Weighted Sound Power Level, (LWA), dB (100 Hz to 10,000 Hz).

² Estimated sound pressure level at distance based on AHRI Standard 275-2010 method for equipment located on the ground, roof, or on side of building wall with no adjacent reflective surface within 9.8 feet. Sound pressure levels will increase based on changes to assumptions. For other applications, refer to AHRI Standard 275.

AHRI SYSTEM MATCHES
ONE OUTDOOR UNIT + ONE INDOOR UNIT

| Model | Cooling Btuh | IEER | EER | Air Handler | Expansion Device | AHRI Reference |
|-----------|--------------|-------|-------|-------------|------------------|----------------|
| EL072XCSS | 71,000 | 16.00 | 12.00 | EL072XASS | Factory TXV | 210666000 |
| EL072XCSS | 73,000 | 14.80 | 11.20 | EL090XASD | Factory TXV | 210666001 |
| EL090XCSS | 89,000 | 14.80 | 11.20 | EL090XASD | Factory TXV | 210666002 |
| EL090XCSS | 90,000 | 14.80 | 11.20 | EL120XASD | Factory TXV | 210666003 |
| EL120XCSS | 115,000 | 14.80 | 11.20 | EL120XASD | Factory TXV | 210666004 |
| EL120XCSD | 115,000 | 14.80 | 11.20 | EL120XASD | Factory TXV | 210666005 |
| EL150XCSD | 136,000 | 14.20 | 11.00 | EL150XASD | Factory TXV | 210666006 |
| EL150XCSD | 142,000 | 14.20 | 11.00 | EL180XASD | Factory TXV | 210666007 |
| EL180XCSD | 176,000 | 14.20 | 11.00 | EL180XASD | Factory TXV | 210666008 |
| EL180XCSD | 196,000 | 14.20 | 11.00 | EL240XASD | Factory TXV | 210666009 |
| EL240XCSD | 228,000 | 14.20 | 11.00 | EL240XASD | Factory TXV | 210666010 |

NOTES - Units with capacity of 65,000 Btuh or greater are AHRI Certified to AHRI Standard 340/360: 95°F outdoor air temperature, 80°F db/67°F wb entering evaporator air (minimum external duct static pressure) with 25 ft. of connecting refrigerant lines.

AHRI SYSTEM MATCHES
TWO OUTDOOR UNITS + ONE INDOOR UNIT

| Model | Cooling Btuh | IEER | EER | Indoor Coil or Air Handler | Expansion Device | AHRI Reference |
|---------------|--------------|-------|-------|----------------------------|------------------|----------------|
| (2) EL090XCSS | 170,000 | 14.20 | 11.00 | EL180XASD | Factory TXV | 210666045 |
| (2) EL120XCSS | 232,000 | 14.40 | 11.00 | EL240XASD | Factory TXV | 210666046 |

NOTES - Units with capacity of 65,000 Btuh or greater are AHRI Certified to AHRI Standard 340/360: 95°F outdoor air temperature, 80°F db/67°F wb entering evaporator air (minimum external duct static pressure) with 25 ft. of connecting refrigerant lines.

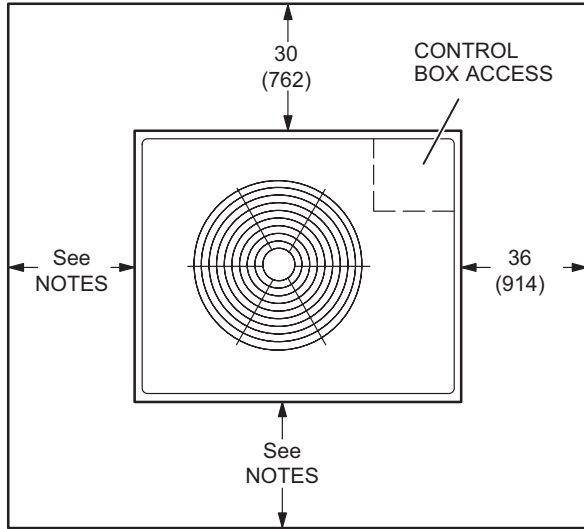
AHRI SYSTEM MATCHES
ONE OUTDOOR UNIT + TWO INDOOR UNITS

| Model | Cooling Btuh | IEER | EER | Indoor Coil or Air Handler | Furnace | Expansion Device | AHRI Reference |
|-----------|--------------|-------|-------|----------------------------|---------------------|------------------------|----------------|
| EL090XCSS | 92,000 | 14.80 | 11.20 | (2) CX35-60D | (2) EL296UH135XE60D | Factory TXV | 210666013 |
| EL090XCSS | 95,000 | 14.80 | 11.20 | (2) CX35-60C | (2) EL280UH110E48C | Factory TXV | 210666014 |
| EL090XCSS | 95,000 | 14.80 | 11.20 | (2) CX35-60C | (2) EL280UH110E60C | Factory TXV | 210691275 |
| EL090XCSS | 95,000 | 14.80 | 11.20 | (2) CX35-60C | (2) EL280UH110XE60C | Factory TXV | 210691276 |
| EL090XCSS | 95,000 | 14.80 | 11.20 | (2) CX35-60C | (2) EL296UH110XE60C | Factory TXV | 210691277 |
| EL120XCSS | 110,000 | 14.80 | 11.20 | (2) CH23-68 | (2) EL280UH110E60C | 12J20 (Order 2) | 210691278 |
| EL120XCSS | 110,000 | 14.80 | 11.20 | (2) CH23-68 | (2) EL280UH110XE60C | 12J20 (Order 2) | 210691279 |
| EL120XCSS | 110,000 | 14.80 | 11.20 | (2) CH23-68 | (2) EL296UH110XE60C | 12J20 (Order 2) | 210666015 |
| EL120XCSS | 110,000 | 14.80 | 11.20 | (2) CX35-60C | (2) EL280UH110E60C | Factory TXV | 210691280 |
| EL120XCSS | 110,000 | 14.80 | 11.20 | (2) CX35-60C | (2) EL280UH110XE60C | Factory TXV | 210691281 |
| EL120XCSS | 110,000 | 14.80 | 11.20 | (2) CX35-60C | (2) EL296UH110XE60C | Factory TXV | 210666016 |
| EL120XCSS | 110,000 | 14.80 | 11.20 | (2) CX35-60D | (2) EL296UH135XE60D | Factory TXV | 210666017 |
| EL180XCSD | 180,000 | 14.20 | 11.00 | (2) EL090XASD | --- | Factory TXV | 210666011 |
| EL240XCSD | 232,000 | 14.20 | 11.00 | (2) EL120XASD | --- | Factory TXV | 210666012 |

NOTES - Units with capacity of 65,000 Btuh or greater are AHRI Certified to AHRI Standard 340/360: 95°F outdoor air temperature, 80°F db/67°F wb entering evaporator air (minimum external duct static pressure) with 25 ft. of connecting refrigerant lines.

UNIT CLEARANCES

EL072 and EL090



NOTES:

Clearance to one of the remaining two sides may be 12 in. (305 mm) and the final side may be 6 in. (152 mm).

A clearance of 24 in. (610 mm) must be maintained between two units.

48 in. (1219 mm) clearance required on top of unit.

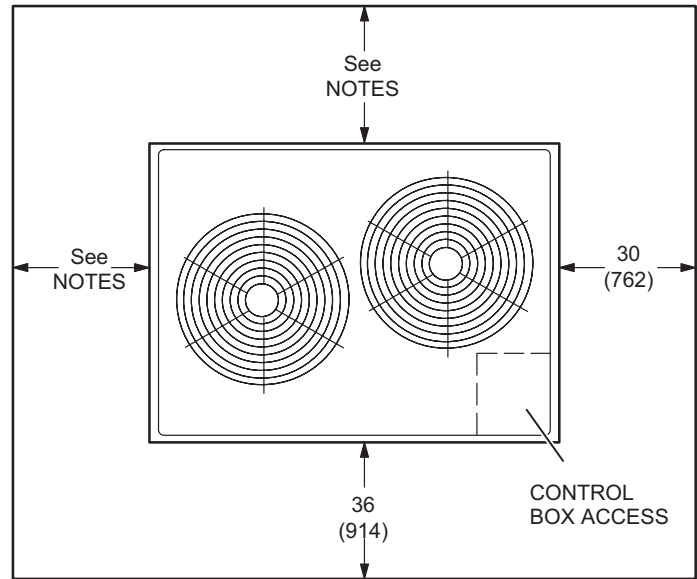
EL120 and EL150

NOTES:

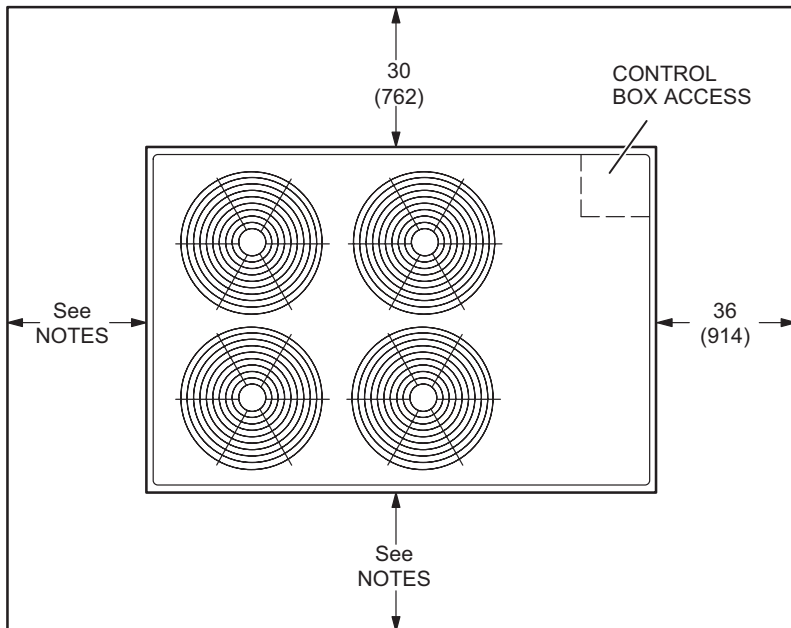
Clearance to one of the remaining two sides may be 12 in. (305 mm) and the final side may be 6 in. (152 mm).

A clearance of 24 in. (610 mm) must be maintained between two units.

48 in. (1219 mm) clearance required on top of unit.



EL180 and EL240



NOTES:

Clearance to one of the remaining two sides may be 12 in. (305 mm) and the final side may be 6 in. (152 mm).

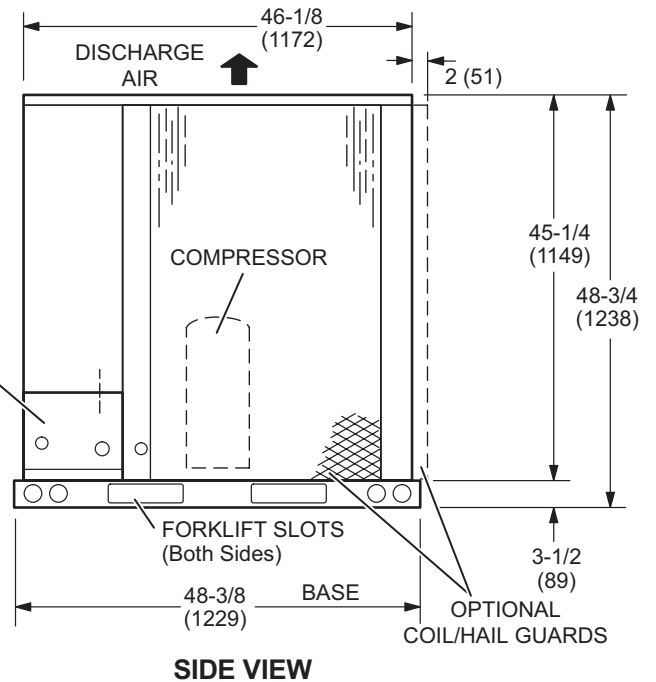
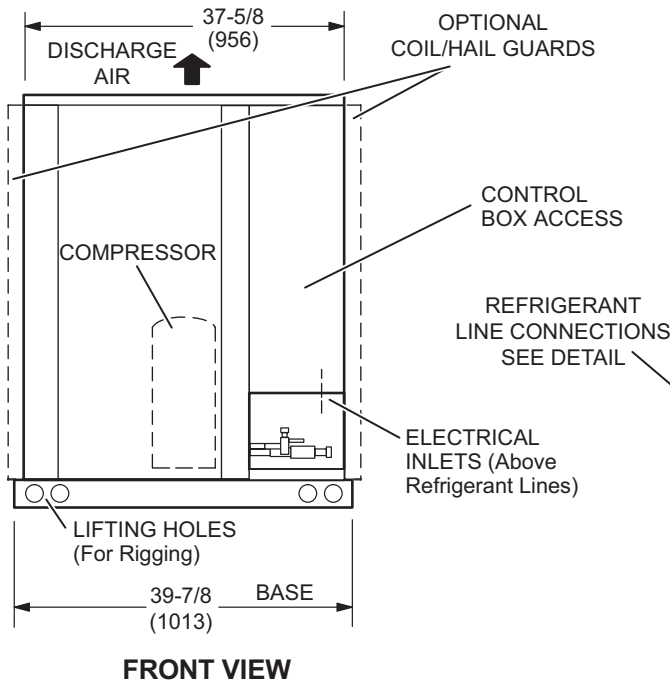
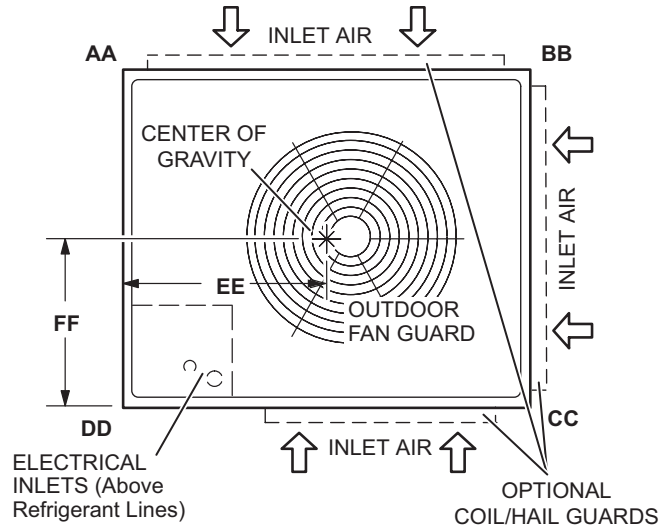
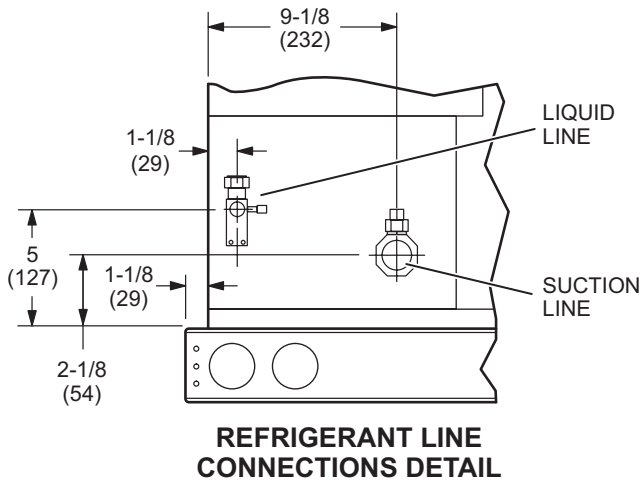
A clearance of 24 in. (610 mm) must be maintained between two units.

48 in. (1219 mm) clearance required on top of unit.

DIMENSIONS

EL072XCSS | EL090XCSS

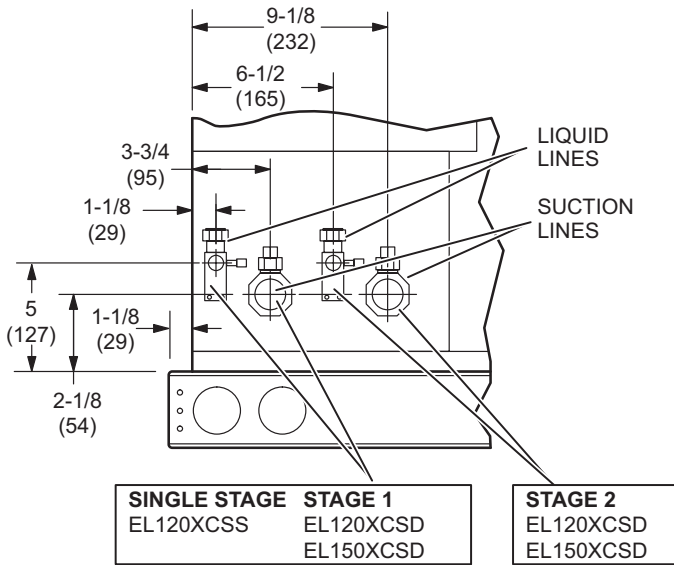
| Model No. | CORNER WEIGHTS | | | | | | | | CENTER OF GRAVITY | | | |
|-----------|----------------|----|------|----|------|----|------|----|-------------------|-----|--------|-----|
| | AA | | BB | | CC | | DD | | EE | | FF | |
| | lbs. | kg | lbs. | kg | lbs. | kg | lbs. | kg | in. | mm | in. | mm |
| EL072XCSS | 66 | 30 | 73 | 33 | 97 | 44 | 82 | 37 | 23-1/4 | 591 | 19-1/4 | 489 |
| EL090XCSS | 75 | 34 | 89 | 40 | 112 | 51 | 88 | 40 | 25 | 635 | 20-1/4 | 514 |



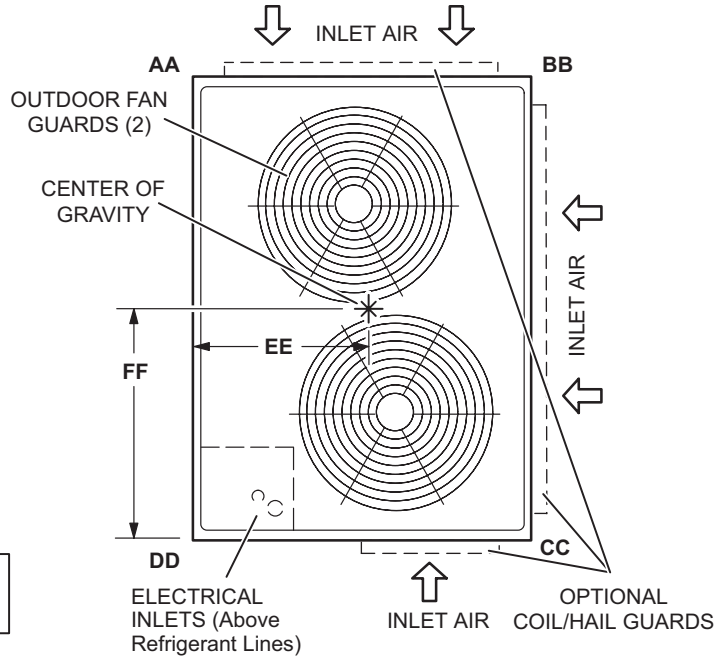
DIMENSIONS

EL120XCSS | EL120XCSD | EL150XCSD

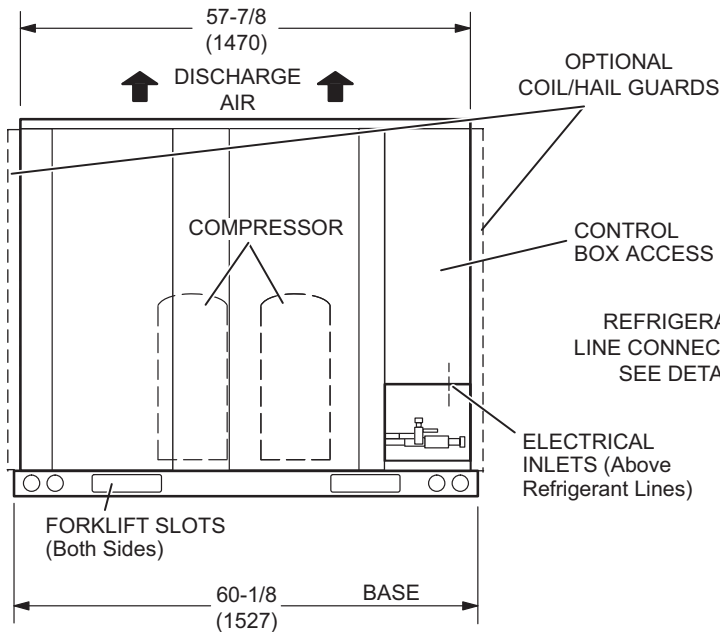
| Model No. | CORNER WEIGHTS | | | | | | | | CENTER OF GRAVITY | | | |
|-----------|----------------|----|------|----|------|----|------|----|-------------------|-----|--------|-----|
| | AA | | BB | | CC | | DD | | EE | | FF | |
| | lbs. | kg | lbs. | kg | lbs. | kg | lbs. | kg | in. | mm | in. | mm |
| EL120XCSS | 130 | 59 | 124 | 56 | 107 | 49 | 111 | 50 | 20-1/2 | 521 | 33-1/2 | 851 |
| EL120XCSD | 122 | 55 | 119 | 54 | 127 | 58 | 131 | 59 | 21 | 533 | 28-1/2 | 724 |
| EL150XCSD | 144 | 66 | 132 | 60 | 133 | 60 | 145 | 66 | 19 | 483 | 30 | 762 |



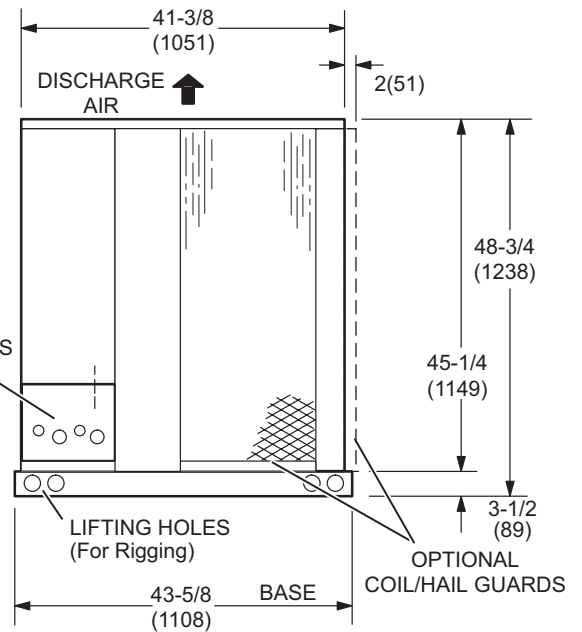
REFRIGERANT LINE CONNECTIONS DETAIL



TOP VIEW



FRONT VIEW

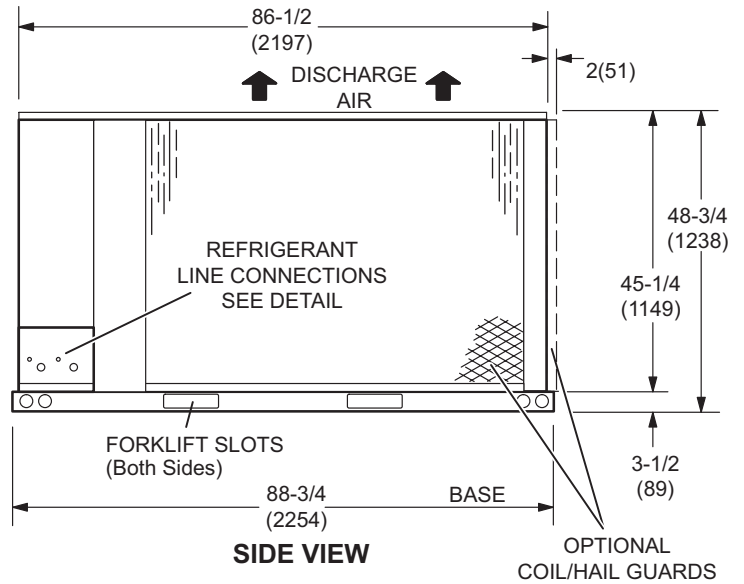
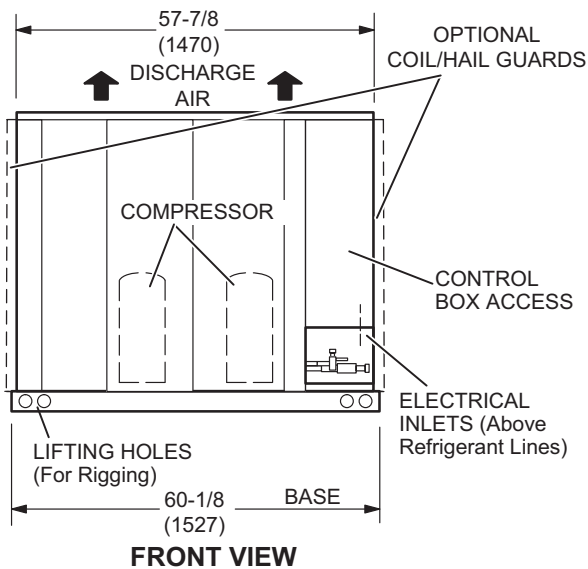
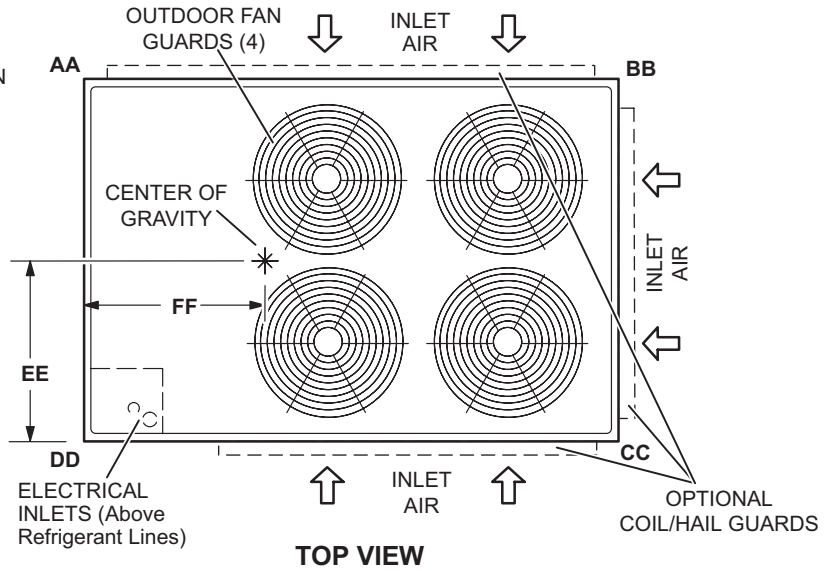
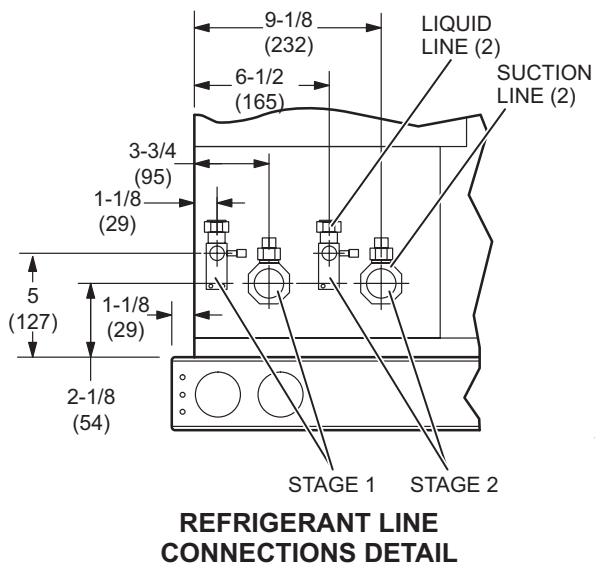


SIDE VIEW

DIMENSIONS

EL180XCSD | EL240XCSD

| Model No. | CORNER WEIGHTS | | | | | | | | CENTER OF GRAVITY | | | |
|-----------|----------------|----|------|----|------|-----|------|-----|-------------------|-----|--------|-----|
| | AA | | BB | | CC | | DD | | EE | | FF | |
| | lbs. | kg | lbs. | kg | lbs. | kg | lbs. | kg | in. | mm | in. | mm |
| EL180XCSD | 181 | 82 | 177 | 81 | 215 | 98 | 221 | 100 | 29 | 737 | 38 | 965 |
| EL240XCSD | 192 | 87 | 189 | 86 | 232 | 105 | 238 | 108 | 29 | 737 | 37-1/2 | 953 |



RATINGS

ONE OUTDOOR UNIT + ONE INDOOR UNIT

NOTE - For Temperatures and Capacities not shown in tables, see bulletin - Cooling Unit Rating Table Correction Factor Data in Miscellaneous Engineering Data section.

EL072XCSS + EL072XASS - 1 COMPRESSOR - PART LOAD

| Entering Wet Bulb Temperature | Total Air Volume | Outdoor Air Temperature Entering Outdoor Coil | | | | | | | | | | | | | | | | | | | |
|-------------------------------|------------------|---|-------------------|-------------------------------|------|-------|-----------------|-------------------|-------------------------------|------|-------|-----------------|-------------------|-------------------------------|------|-------|-----------------|-------------------|-------------------------------|------|------|
| | | 65°F | | | | | 75°F | | | | | 85°F | | | | | 95°F | | | | |
| | | Total Cool Cap. | Comp. Motor Input | Sensible To Total Ratio (S/T) | | | Total Cool Cap. | Comp. Motor Input | Sensible To Total Ratio (S/T) | | | Total Cool Cap. | Comp. Motor Input | Sensible To Total Ratio (S/T) | | | Total Cool Cap. | Comp. Motor Input | Sensible To Total Ratio (S/T) | | |
| | | | | Dry Bulb | | | | | Dry Bulb | | | | | Dry Bulb | | | | | Dry Bulb | | |
| cfm | kBtuh | kW | 75°F | 80°F | 85°F | kBtuh | kW | 75°F | 80°F | 85°F | kBtuh | kW | 75°F | 80°F | 85°F | kBtuh | kW | 75°F | 80°F | 85°F | |
| 63°F | 1280 | 55.3 | 2.15 | 0.7 | 0.81 | 0.92 | 53.1 | 2.53 | 0.71 | 0.83 | 0.94 | 50.5 | 2.93 | 0.72 | 0.84 | 0.96 | 47.8 | 3.39 | 0.73 | 0.86 | 0.99 |
| | 1600 | 58.4 | 2.14 | 0.73 | 0.86 | 0.99 | 56 | 2.52 | 0.75 | 0.88 | 1 | 53.3 | 2.93 | 0.76 | 0.91 | 1 | 50.3 | 3.38 | 0.78 | 0.93 | 1 |
| | 1920 | 60.9 | 2.14 | 0.77 | 0.92 | 1 | 58.3 | 2.51 | 0.79 | 0.94 | 1 | 55.5 | 2.92 | 0.8 | 0.96 | 1 | 52.4 | 3.38 | 0.83 | 0.99 | 1 |
| 67°F | 1280 | 58.6 | 2.14 | 0.56 | 0.67 | 0.78 | 56.3 | 2.52 | 0.56 | 0.68 | 0.79 | 53.7 | 2.93 | 0.57 | 0.69 | 0.81 | 50.8 | 3.39 | 0.58 | 0.71 | 0.83 |
| | 1600 | 62 | 2.13 | 0.58 | 0.71 | 0.83 | 59.5 | 2.51 | 0.59 | 0.72 | 0.85 | 56.7 | 2.92 | 0.6 | 0.73 | 0.87 | 53.6 | 3.38 | 0.61 | 0.75 | 0.9 |
| | 1920 | 64.5 | 2.12 | 0.6 | 0.75 | 0.89 | 61.9 | 2.5 | 0.61 | 0.76 | 0.91 | 58.9 | 2.91 | 0.62 | 0.78 | 0.93 | 55.7 | 3.38 | 0.64 | 0.8 | 0.96 |
| 71°F | 1280 | 61.8 | 2.13 | 0.44 | 0.54 | 0.64 | 59.5 | 2.51 | 0.44 | 0.55 | 0.65 | 56.8 | 2.92 | 0.44 | 0.55 | 0.66 | 53.9 | 3.38 | 0.44 | 0.56 | 0.68 |
| | 1600 | 65.5 | 2.12 | 0.44 | 0.56 | 0.68 | 62.9 | 2.5 | 0.45 | 0.57 | 0.69 | 60 | 2.91 | 0.45 | 0.58 | 0.71 | 56.8 | 3.38 | 0.45 | 0.59 | 0.73 |
| | 1920 | 68.3 | 2.11 | 0.45 | 0.59 | 0.72 | 65.5 | 2.49 | 0.45 | 0.6 | 0.74 | 62.4 | 2.91 | 0.46 | 0.61 | 0.76 | 59 | 3.37 | 0.46 | 0.62 | 0.78 |

EL072XCSS + EL072XASS - 1 COMPRESSOR - FULL LOAD

| Entering Wet Bulb Temperature | Total Air Volume | Outdoor Air Temperature Entering Outdoor Coil | | | | | | | | | | | | | | | | | | | |
|-------------------------------|------------------|---|-------------------|-------------------------------|------|-------|-----------------|-------------------|-------------------------------|------|-------|-----------------|-------------------|-------------------------------|------|-------|-----------------|-------------------|-------------------------------|------|------|
| | | 85°F | | | | | 95°F | | | | | 105°F | | | | | 115°F | | | | |
| | | Total Cool Cap. | Comp. Motor Input | Sensible To Total Ratio (S/T) | | | Total Cool Cap. | Comp. Motor Input | Sensible To Total Ratio (S/T) | | | Total Cool Cap. | Comp. Motor Input | Sensible To Total Ratio (S/T) | | | Total Cool Cap. | Comp. Motor Input | Sensible To Total Ratio (S/T) | | |
| | | | | Dry Bulb | | | | | Dry Bulb | | | | | Dry Bulb | | | | | Dry Bulb | | |
| cfm | kBtuh | kW | 75°F | 80°F | 85°F | kBtuh | kW | 75°F | 80°F | 85°F | kBtuh | kW | 75°F | 80°F | 85°F | kBtuh | kW | 75°F | 80°F | 85°F | |
| 63°F | 1920 | 68.6 | 4.12 | 0.73 | 0.86 | 0.98 | 65.4 | 4.67 | 0.74 | 0.88 | 1 | 62.1 | 5.31 | 0.76 | 0.9 | 1 | 58.4 | 6.02 | 0.78 | 0.93 | 1 |
| | 2400 | 71.7 | 4.15 | 0.78 | 0.93 | 1 | 68.3 | 4.71 | 0.79 | 0.95 | 1 | 64.9 | 5.35 | 0.81 | 0.98 | 1 | 61.1 | 6.06 | 0.84 | 1 | 1 |
| | 2880 | 74.2 | 4.19 | 0.82 | 0.98 | 1 | 70.7 | 4.74 | 0.85 | 1 | 1 | 67.2 | 5.37 | 0.87 | 1 | 1 | 63.8 | 6.1 | 0.9 | 1 | 1 |
| 67°F | 1920 | 72.5 | 4.16 | 0.58 | 0.71 | 0.83 | 69.2 | 4.73 | 0.59 | 0.72 | 0.85 | 65.7 | 5.36 | 0.6 | 0.74 | 0.87 | 61.9 | 6.06 | 0.61 | 0.76 | 0.9 |
| | 2400 | 75.9 | 4.21 | 0.61 | 0.75 | 0.9 | 72.3 | 4.76 | 0.62 | 0.77 | 0.92 | 68.5 | 5.4 | 0.63 | 0.79 | 0.95 | 64.3 | 6.1 | 0.65 | 0.82 | 0.98 |
| | 2880 | 78.4 | 4.24 | 0.64 | 0.8 | 0.96 | 74.6 | 4.8 | 0.65 | 0.82 | 0.98 | 70.5 | 5.43 | 0.66 | 0.85 | 1 | 66.2 | 6.13 | 0.68 | 0.88 | 1 |
| 71°F | 1920 | 76.4 | 4.21 | 0.44 | 0.56 | 0.68 | 72.9 | 4.78 | 0.44 | 0.57 | 0.7 | 69.3 | 5.41 | 0.45 | 0.58 | 0.71 | 65.2 | 6.11 | 0.45 | 0.59 | 0.73 |
| | 2400 | 80 | 4.26 | 0.45 | 0.59 | 0.73 | 76.1 | 4.82 | 0.46 | 0.61 | 0.75 | 72.2 | 5.45 | 0.46 | 0.62 | 0.77 | 68 | 6.17 | 0.47 | 0.64 | 0.79 |
| | 2880 | 82.5 | 4.29 | 0.47 | 0.63 | 0.78 | 78.7 | 4.85 | 0.47 | 0.64 | 0.8 | 74.5 | 5.49 | 0.48 | 0.66 | 0.83 | 69.9 | 6.19 | 0.48 | 0.67 | 0.86 |

EL072XCSS + EL090XASD - 1 COMPRESSOR - PART LOAD

| Entering Wet Bulb Temperature | Total Air Volume | Outdoor Air Temperature Entering Outdoor Coil | | | | | | | | | | | | | | | | | | | |
|-------------------------------|------------------|---|-------------------|-------------------------------|------|-------|-----------------|-------------------|-------------------------------|------|-------|-----------------|-------------------|-------------------------------|------|-------|-----------------|-------------------|-------------------------------|------|------|
| | | 65°F | | | | | 75°F | | | | | 85°F | | | | | 95°F | | | | |
| | | Total Cool Cap. | Comp. Motor Input | Sensible To Total Ratio (S/T) | | | Total Cool Cap. | Comp. Motor Input | Sensible To Total Ratio (S/T) | | | Total Cool Cap. | Comp. Motor Input | Sensible To Total Ratio (S/T) | | | Total Cool Cap. | Comp. Motor Input | Sensible To Total Ratio (S/T) | | |
| | | | | Dry Bulb | | | | | Dry Bulb | | | | | Dry Bulb | | | | | Dry Bulb | | |
| cfm | kBtuh | kW | 75°F | 80°F | 85°F | kBtuh | kW | 75°F | 80°F | 85°F | kBtuh | kW | 75°F | 80°F | 85°F | kBtuh | kW | 75°F | 80°F | 85°F | |
| 63°F | 1280 | 56.8 | 2.15 | 0.7 | 0.82 | 0.93 | 54.5 | 2.52 | 0.71 | 0.83 | 0.95 | 51.8 | 2.93 | 0.72 | 0.85 | 0.97 | 48.9 | 3.39 | 0.73 | 0.87 | 1 |
| | 1600 | 60.1 | 2.14 | 0.74 | 0.88 | 1 | 57.5 | 2.51 | 0.75 | 0.89 | 1 | 54.7 | 2.93 | 0.77 | 0.92 | 1 | 51.6 | 3.38 | 0.79 | 0.95 | 1 |
| | 1920 | 62.4 | 2.13 | 0.78 | 0.94 | 1 | 59.8 | 2.51 | 0.79 | 0.96 | 1 | 57 | 2.92 | 0.81 | 0.98 | 1 | 53.7 | 3.38 | 0.84 | 1 | 1 |
| 67°F | 1280 | 60.5 | 2.14 | 0.56 | 0.67 | 0.78 | 58.1 | 2.51 | 0.56 | 0.68 | 0.79 | 55.3 | 2.92 | 0.57 | 0.69 | 0.81 | 52.4 | 3.38 | 0.58 | 0.71 | 0.84 |
| | 1600 | 63.9 | 2.12 | 0.58 | 0.71 | 0.84 | 61.3 | 2.5 | 0.59 | 0.72 | 0.86 | 58.4 | 2.92 | 0.6 | 0.74 | 0.88 | 55.2 | 3.38 | 0.61 | 0.76 | 0.91 |
| | 1920 | 66.6 | 2.11 | 0.61 | 0.76 | 0.9 | 63.7 | 2.49 | 0.62 | 0.77 | 0.92 | 60.6 | 2.91 | 0.63 | 0.79 | 0.95 | 57.1 | 3.37 | 0.64 | 0.81 | 0.98 |
| 71°F | 1280 | 64.4 | 2.12 | 0.43 | 0.54 | 0.64 | 61.8 | 2.5 | 0.43 | 0.55 | 0.65 | 59 | 2.92 | 0.44 | 0.55 | 0.66 | 55.9 | 3.38 | 0.44 | 0.56 | 0.68 |
| | 1600 | 67.9 | 2.11 | 0.44 | 0.56 | 0.69 | 65.2 | 2.49 | 0.44 | 0.57 | 0.7 | 62.1 | 2.91 | 0.45 | 0.58 | 0.71 | 58.8 | 3.37 | 0.45 | 0.6 | 0.74 |
| | 1920 | 70.6 | 2.1 | 0.45 | 0.59 | 0.73 | 67.7 | 2.48 | 0.45 | 0.6 | 0.74 | 64.4 | 2.9 | 0.46 | 0.62 | 0.77 | 60.8 | 3.37 | 0.46 | 0.62 | 0.78 |

EL072XCSS + EL090XASD - 1 COMPRESSOR - FULL LOAD

| Entering Wet Bulb Temperature | Total Air Volume | Outdoor Air Temperature Entering Outdoor Coil | | | | | | | | | | | | | | | | | | | |
|-------------------------------|------------------|---|-------------------|-------------------------------|------|-------|-----------------|-------------------|-------------------------------|------|-------|-----------------|-------------------|-------------------------------|------|-------|-----------------|-------------------|-------------------------------|------|------|
| | | 85°F | | | | | 95°F | | | | | 105°F | | | | | 115°F | | | | |
| | | Total Cool Cap. | Comp. Motor Input | Sensible To Total Ratio (S/T) | | | Total Cool Cap. | Comp. Motor Input | Sensible To Total Ratio (S/T) | | | Total Cool Cap. | Comp. Motor Input | Sensible To Total Ratio (S/T) | | | Total Cool Cap. | Comp. Motor Input | Sensible To Total Ratio (S/T) | | |
| | | | | Dry Bulb | | | | | Dry Bulb | | | | | Dry Bulb | | | | | Dry Bulb | | |
| cfm | kBtuh | kW | 75°F | 80°F | 85°F | kBtuh | kW | 75°F | 80°F | 85°F | kBtuh | kW | 75°F | 80°F | 85°F | kBtuh | kW | 75°F | 80°F | 85°F | |
| 63°F | 1920 | 70.4 | 4.14 | 0.73 | 0.87 | 1 | 67.1 | 4.69 | 0.75 | 0.89 | 1 | 63.6 | 5.33 | 0.77 | 0.92 | 1 | 59.9 | 6.03 | 0.79 | 0.95 | 1 |
| | 2400 | 73.8 | 4.18 | 0.79 | 0.95 | 1 | 70.1 | 4.74 | 0.81 | 0.97 | 1 | 66.6 | 5.37 | 0.83 | 0.99 | 1 | 62.7 | 6.08 | 0.86 | 1 | 1 |
| | 2880 | 76.5 | 4.21 | 0.85 | 1 | 1 | 73.1 | 4.78 | 0.86 | 1 | 1 | 69.7 | 5.42 | 0.89 | 1 | 1 | 66 | 6.13 | 0.92 | 1 | 1 |
| 67°F | 1920 | 74.9 | 4.19 | 0.58 | 0.71 | 0.84 | 71.4 | 4.76 | 0.59 | 0.73 | 0.86 | 67.5 | 5.38 | 0.6 | 0.74 | 0.88 | 63.6 | 6.1 | 0.61 | 0.77 | 0.92 |
| | 2400 | 78.2 | 4.24 | 0.61 | 0.77 | 0.91 | 74.5 | 4.79 | 0.63 | 0.79 | 0.94 | 70.5 | 5.42 | 0.64 | 0.81 | 0.97 | 65.9 | 6.13 | 0.65 | 0.83 | 0.99 |
| | 2880 | 80.6 | 4.27 | 0.65 | 0.82 | 0.98 | 76.5 | 4.82 | 0.66 | 0.84 | 1 | 72.3 | 5.46 | 0.68 | 0.87 | 1 | 67.6 | 6.16 | 0.69 | 0.9 | 1 |
| 71°F | 1920 | 79.1 | 4.25 | 0.44 | 0.56 | 0.69 | 75.5 | 4.81 | 0.45 | 0.58 | 0.7 | 71.5 | 5.44 | 0.45 | 0.58 | 0.72 | 67.4 | 6.16 | 0.45 | 0.6 | 0.74 |
| | 2400 | 82.7 | 4.3 | 0.45 | 0.6 | 0.74 | 78.8 | 4.86 | 0.46 | 0.61 | 0.76 | 74.5 | 5.49 | 0.46 | 0.63 | 0.79 | 69.7 | 6.19 | 0.47 | 0.64 | 0.81 |
| | 2880 | 85.2 | 4.33 | 0.47 | 0.64 | 0.8 | 80.9 | 4.89 | 0.47 | 0.65 | 0.82 | 76.7 | 5.52 | 0.48 | 0.67 | 0.85 | 71.7 | 6.22 | 0.49 | 0.69 | 0.88 |

RATINGS

ONE OUTDOOR UNIT + ONE INDOOR UNIT

NOTE - For Temperatures and Capacities not shown in tables, see bulletin - Cooling Unit Rating Table Correction Factor Data in Miscellaneous Engineering Data section.

EL090XCSS + EL090XASD - 1 COMPRESSOR - PART LOAD

| Entering Wet Bulb Temperature | Total Air Volume | Outdoor Air Temperature Entering Outdoor Coil | | | | | | | | | | | | | | | | | | | |
|-------------------------------|------------------|---|-------------------|-------------------------------|------|-------|-----------------|-------------------|-------------------------------|------|-------|-----------------|-------------------|-------------------------------|------|-------|-----------------|-------------------|-------------------------------|------|------|
| | | 65°F | | | | | 75°F | | | | | 85°F | | | | | 95°F | | | | |
| | | Total Cool Cap. | Comp. Motor Input | Sensible To Total Ratio (S/T) | | | Total Cool Cap. | Comp. Motor Input | Sensible To Total Ratio (S/T) | | | Total Cool Cap. | Comp. Motor Input | Sensible To Total Ratio (S/T) | | | Total Cool Cap. | Comp. Motor Input | Sensible To Total Ratio (S/T) | | |
| | | | | Dry Bulb | | | | | Dry Bulb | | | | | Dry Bulb | | | | | Dry Bulb | | |
| cfm | kBtuh | kW | 75°F | 80°F | 85°F | kBtuh | kW | 75°F | 80°F | 85°F | kBtuh | kW | 75°F | 80°F | 85°F | kBtuh | kW | 75°F | 80°F | 85°F | |
| 63°F | 1600 | 66.7 | 2.77 | 0.71 | 0.83 | 0.95 | 64 | 3.25 | 0.71 | 0.84 | 0.96 | 61.1 | 3.77 | 0.73 | 0.86 | 0.98 | 58 | 4.34 | 0.74 | 0.88 | 1 |
| | 2000 | 70.5 | 2.77 | 0.75 | 0.89 | 1 | 67.6 | 3.24 | 0.76 | 0.91 | 1 | 64.4 | 3.76 | 0.78 | 0.93 | 1 | 61 | 4.34 | 0.8 | 0.96 | 1 |
| | 2400 | 73.5 | 2.76 | 0.79 | 0.95 | 1 | 70.2 | 3.23 | 0.81 | 0.97 | 1 | 66.9 | 3.75 | 0.82 | 0.99 | 1 | 63.5 | 4.33 | 0.85 | 1 | 1 |
| 67°F | 1600 | 71.2 | 2.77 | 0.56 | 0.68 | 0.79 | 68.4 | 3.24 | 0.57 | 0.69 | 0.81 | 65.3 | 3.76 | 0.58 | 0.7 | 0.82 | 61.9 | 4.33 | 0.58 | 0.71 | 0.85 |
| | 2000 | 75.1 | 2.76 | 0.59 | 0.72 | 0.85 | 72.1 | 3.23 | 0.59 | 0.74 | 0.87 | 68.6 | 3.75 | 0.61 | 0.75 | 0.9 | 64.9 | 4.33 | 0.62 | 0.77 | 0.92 |
| | 2400 | 78.1 | 2.75 | 0.62 | 0.77 | 0.91 | 74.6 | 3.22 | 0.62 | 0.79 | 0.94 | 70.7 | 3.75 | 0.63 | 0.8 | 0.96 | 66.8 | 4.32 | 0.65 | 0.83 | 0.99 |
| 71°F | 1600 | 75.8 | 2.76 | 0.43 | 0.54 | 0.65 | 72.7 | 3.23 | 0.44 | 0.55 | 0.66 | 69.5 | 3.75 | 0.44 | 0.56 | 0.68 | 65.8 | 4.32 | 0.44 | 0.57 | 0.69 |
| | 2000 | 80.1 | 2.75 | 0.44 | 0.58 | 0.7 | 76.4 | 3.22 | 0.45 | 0.58 | 0.71 | 72.8 | 3.74 | 0.45 | 0.59 | 0.73 | 69 | 4.32 | 0.45 | 0.61 | 0.75 |
| | 2400 | 83 | 2.74 | 0.46 | 0.6 | 0.74 | 79.3 | 3.22 | 0.46 | 0.61 | 0.76 | 75.4 | 3.74 | 0.46 | 0.63 | 0.78 | 71.1 | 4.32 | 0.47 | 0.64 | 0.81 |

EL090XCSS + EL090XASD - 1 COMPRESSOR - FULL LOAD

| Entering Wet Bulb Temperature | Total Air Volume | Outdoor Air Temperature Entering Outdoor Coil | | | | | | | | | | | | | | | | | | | |
|-------------------------------|------------------|---|-------------------|-------------------------------|------|-------|-----------------|-------------------|-------------------------------|------|-------|-----------------|-------------------|-------------------------------|------|-------|-----------------|-------------------|-------------------------------|------|------|
| | | 85°F | | | | | 95°F | | | | | 105°F | | | | | 115°F | | | | |
| | | Total Cool Cap. | Comp. Motor Input | Sensible To Total Ratio (S/T) | | | Total Cool Cap. | Comp. Motor Input | Sensible To Total Ratio (S/T) | | | Total Cool Cap. | Comp. Motor Input | Sensible To Total Ratio (S/T) | | | Total Cool Cap. | Comp. Motor Input | Sensible To Total Ratio (S/T) | | |
| | | | | Dry Bulb | | | | | Dry Bulb | | | | | Dry Bulb | | | | | Dry Bulb | | |
| cfm | kBtuh | kW | 75°F | 80°F | 85°F | kBtuh | kW | 75°F | 80°F | 85°F | kBtuh | kW | 75°F | 80°F | 85°F | kBtuh | kW | 75°F | 80°F | 85°F | |
| 63°F | 2400 | 89 | 5.85 | 0.73 | 0.86 | 0.98 | 84.8 | 6.45 | 0.74 | 0.88 | 1 | 80.5 | 7.11 | 0.76 | 0.9 | 1 | 75.6 | 7.83 | 0.78 | 0.93 | 1 |
| | 3000 | 93.5 | 5.96 | 0.78 | 0.93 | 1 | 89.1 | 6.56 | 0.79 | 0.95 | 1 | 84.4 | 7.22 | 0.81 | 0.97 | 1 | 79.2 | 7.94 | 0.84 | 1 | 1 |
| | 3600 | 96.9 | 6.04 | 0.83 | 0.98 | 1 | 92.3 | 6.64 | 0.84 | 1 | 1 | 87.6 | 7.31 | 0.87 | 1 | 1 | 82.7 | 8.05 | 0.9 | 1 | 1 |
| 67°F | 2400 | 94.6 | 5.98 | 0.58 | 0.7 | 0.83 | 90.1 | 6.59 | 0.58 | 0.72 | 0.84 | 85.4 | 7.25 | 0.59 | 0.73 | 0.87 | 80 | 7.97 | 0.61 | 0.75 | 0.9 |
| | 3000 | 99 | 6.09 | 0.61 | 0.75 | 0.89 | 93.9 | 6.69 | 0.62 | 0.77 | 0.92 | 88.9 | 7.35 | 0.63 | 0.79 | 0.94 | 83.3 | 8.07 | 0.65 | 0.82 | 0.97 |
| | 3600 | 102 | 6.17 | 0.64 | 0.8 | 0.96 | 96.9 | 6.77 | 0.65 | 0.82 | 0.98 | 91.6 | 7.43 | 0.67 | 0.85 | 1 | 85.7 | 8.14 | 0.68 | 0.88 | 1 |
| 71°F | 2400 | 100.1 | 6.11 | 0.44 | 0.56 | 0.68 | 95.3 | 6.73 | 0.44 | 0.57 | 0.69 | 90.3 | 7.39 | 0.45 | 0.58 | 0.71 | 85 | 8.12 | 0.46 | 0.59 | 0.73 |
| | 3000 | 104.5 | 6.22 | 0.45 | 0.59 | 0.73 | 99.4 | 6.83 | 0.46 | 0.6 | 0.74 | 94.1 | 7.49 | 0.46 | 0.62 | 0.77 | 88.1 | 8.21 | 0.47 | 0.64 | 0.79 |
| | 3600 | 107.6 | 6.3 | 0.47 | 0.62 | 0.78 | 102.2 | 6.9 | 0.47 | 0.64 | 0.8 | 96.4 | 7.56 | 0.48 | 0.66 | 0.83 | 90.3 | 8.27 | 0.48 | 0.67 | 0.85 |

EL090XCSS + EL120XASD - 1 COMPRESSOR - PART LOAD

| Entering Wet Bulb Temperature | Total Air Volume | Outdoor Air Temperature Entering Outdoor Coil | | | | | | | | | | | | | | | | | | | |
|-------------------------------|------------------|---|-------------------|-------------------------------|------|-------|-----------------|-------------------|-------------------------------|------|-------|-----------------|-------------------|-------------------------------|------|-------|-----------------|-------------------|-------------------------------|------|------|
| | | 65°F | | | | | 75°F | | | | | 85°F | | | | | 95°F | | | | |
| | | Total Cool Cap. | Comp. Motor Input | Sensible To Total Ratio (S/T) | | | Total Cool Cap. | Comp. Motor Input | Sensible To Total Ratio (S/T) | | | Total Cool Cap. | Comp. Motor Input | Sensible To Total Ratio (S/T) | | | Total Cool Cap. | Comp. Motor Input | Sensible To Total Ratio (S/T) | | |
| | | | | Dry Bulb | | | | | Dry Bulb | | | | | Dry Bulb | | | | | Dry Bulb | | |
| cfm | kBtuh | kW | 75°F | 80°F | 85°F | kBtuh | kW | 75°F | 80°F | 85°F | kBtuh | kW | 75°F | 80°F | 85°F | kBtuh | kW | 75°F | 80°F | 85°F | |
| 63°F | 1600 | 67.6 | 2.77 | 0.7 | 0.83 | 0.95 | 64.8 | 3.24 | 0.71 | 0.84 | 0.97 | 61.9 | 3.77 | 0.73 | 0.86 | 0.99 | 58.5 | 4.34 | 0.74 | 0.88 | 1 |
| | 2000 | 71.4 | 2.76 | 0.75 | 0.89 | 1 | 68.4 | 3.24 | 0.76 | 0.91 | 1 | 65.1 | 3.76 | 0.78 | 0.93 | 1 | 61.6 | 4.33 | 0.8 | 0.96 | 1 |
| | 2400 | 74.3 | 2.76 | 0.79 | 0.95 | 1 | 71.2 | 3.23 | 0.81 | 0.97 | 1 | 67.6 | 3.75 | 0.83 | 1 | 1 | 64.3 | 4.33 | 0.85 | 1 | 1 |
| 67°F | 1600 | 72.2 | 2.76 | 0.56 | 0.68 | 0.79 | 69.2 | 3.23 | 0.57 | 0.69 | 0.81 | 66.1 | 3.76 | 0.58 | 0.7 | 0.82 | 62.6 | 4.34 | 0.58 | 0.71 | 0.85 |
| | 2000 | 76.3 | 2.76 | 0.59 | 0.72 | 0.85 | 73.1 | 3.23 | 0.6 | 0.74 | 0.88 | 69.5 | 3.75 | 0.61 | 0.75 | 0.9 | 65.6 | 4.33 | 0.62 | 0.77 | 0.93 |
| | 2400 | 79.3 | 2.75 | 0.62 | 0.77 | 0.92 | 75.5 | 3.22 | 0.62 | 0.78 | 0.94 | 71.9 | 3.75 | 0.64 | 0.81 | 0.96 | 67.7 | 4.32 | 0.65 | 0.82 | 0.99 |
| 71°F | 1600 | 76.9 | 2.75 | 0.43 | 0.54 | 0.65 | 73.7 | 3.22 | 0.44 | 0.55 | 0.66 | 70.2 | 3.75 | 0.44 | 0.56 | 0.68 | 66.5 | 4.33 | 0.44 | 0.56 | 0.69 |
| | 2000 | 81.1 | 2.75 | 0.44 | 0.57 | 0.69 | 77.5 | 3.22 | 0.44 | 0.58 | 0.71 | 73.8 | 3.74 | 0.45 | 0.59 | 0.73 | 69.9 | 4.32 | 0.45 | 0.61 | 0.75 |
| | 2400 | 84.4 | 2.74 | 0.45 | 0.6 | 0.74 | 80.5 | 3.21 | 0.45 | 0.61 | 0.76 | 76.3 | 3.74 | 0.45 | 0.61 | 0.78 | 72.1 | 4.31 | 0.47 | 0.64 | 0.8 |

EL090XCSS + EL120XASD - 1 COMPRESSOR - FULL LOAD

| Entering Wet Bulb Temperature | Total Air Volume | Outdoor Air Temperature Entering Outdoor Coil | | | | | | | | | | | | | | | | | | | |
|-------------------------------|------------------|---|-------------------|-------------------------------|------|-------|-----------------|-------------------|-------------------------------|------|-------|-----------------|-------------------|-------------------------------|------|-------|-----------------|-------------------|-------------------------------|------|------|
| | | 85°F | | | | | 95°F | | | | | 105°F | | | | | 115°F | | | | |
| | | Total Cool Cap. | Comp. Motor Input | Sensible To Total Ratio (S/T) | | | Total Cool Cap. | Comp. Motor Input | Sensible To Total Ratio (S/T) | | | Total Cool Cap. | Comp. Motor Input | Sensible To Total Ratio (S/T) | | | Total Cool Cap. | Comp. Motor Input | Sensible To Total Ratio (S/T) | | |
| | | | | Dry Bulb | | | | | Dry Bulb | | | | | Dry Bulb | | | | | Dry Bulb | | |
| cfm | kBtuh | kW | 75°F | 80°F | 85°F | kBtuh | kW | 75°F | 80°F | 85°F | kBtuh | kW | 75°F | 80°F | 85°F | kBtuh | kW | 75°F | 80°F | 85°F | |
| 63°F | 2400 | 90.6 | 5.88 | 0.73 | 0.86 | 0.98 | 86.2 | 6.49 | 0.74 | 0.88 | 1 | 81.8 | 7.14 | 0.76 | 0.9 | 1 | 76.9 | 7.86 | 0.78 | 0.93 | 1 |
| | 3000 | 95 | 5.99 | 0.77 | 0.93 | 1 | 90.5 | 6.6 | 0.8 | 0.95 | 1 | 85.5 | 7.26 | 0.82 | 0.98 | 1 | 80.3 | 7.97 | 0.84 | 1 | 1 |
| | 3600 | 98.5 | 6.08 | 0.83 | 0.99 | 1 | 93.7 | 6.68 | 0.85 | 1 | 1 | 89.2 | 7.36 | 0.87 | 1 | 1 | 84.6 | 8.1 | 0.9 | 1 | 1 |
| 67°F | 2400 | 96.3 | 6.03 | 0.58 | 0.7 | 0.82 | 91.8 | 6.63 | 0.58 | 0.71 | 0.84 | 86.9 | 7.29 | 0.6 | 0.73 | 0.87 | 81.5 | 8.01 | 0.61 | 0.75 | 0.9 |
| | 3000 | 100.6 | 6.13 | 0.6 | 0.75 | 0.9 | 95.9 | 6.74 | 0.62 | 0.77 | 0.92 | 90.8 | 7.4 | 0.63 | 0.79 | 0.95 | 84.8 | 8.11 | 0.65 | 0.82 | 0.98 |
| | 3600 | 104.2 | 6.22 | 0.64 | 0.81 | 0.96 | 98.6 | 6.82 | 0.65 | 0.83 | 0.99 | 93.1 | 7.47 | 0.67 | 0.85 | 1 | 87.2 | 8.18 | 0.69 | 0.88 | 1 |
| 71°F | 2400 | 101.9 | 6.16 | 0.44 | 0.56 | 0.68 | 97.1 | 6.77 | 0.44 | 0.57 | 0.69 | 92.1 | 7.44 | 0.44 | 0.58 | 0.71 | 86.1 | 8.15 | 0.45 | 0.59 | 0.73 |
| | 3000 | 106.6 | 6.28 | 0.45 | 0.59 | 0.73 | 101.3 | 6.88 | 0.45 | 0.6 | 0.75 | 95.9 | 7.55 | 0.46 | 0.62 | 0.77 | 89.7 | 8.26 | 0.47 | 0.63 | 0.8 |
| | 3600 | 110.1 | 6.36 | 0.46 | 0.62 | 0.78 | 104.5 | 6.97 | 0.47 | 0.64 | 0.81 | 98.2 | 7.62 | 0.48 | 0.65 | 0.83 | 92.1 | 8.33 | 0.49 | 0.67 | 0.86 |

RATINGS

ONE OUTDOOR UNIT + ONE INDOOR UNIT

NOTE - For Temperatures and Capacities not shown in tables, see bulletin - Cooling Unit Rating Table Correction Factor Data in Miscellaneous Engineering Data section.

EL120XCSS + EL120XASD - 1 COMPRESSOR - PART LOAD

| Entering Wet Bulb Temperature | Total Air Volume | Outdoor Air Temperature Entering Outdoor Coil | | | | | | | | | | | | | | | | | | | |
|-------------------------------|------------------|---|-------------------|-------------------------------|------|-------|-----------------|-------------------|-------------------------------|------|-------|-----------------|-------------------|-------------------------------|------|-------|-----------------|-------------------|-------------------------------|------|------|
| | | 65°F | | | | | 75°F | | | | | 85°F | | | | | 95°F | | | | |
| | | Total Cool Cap. | Comp. Motor Input | Sensible To Total Ratio (S/T) | | | Total Cool Cap. | Comp. Motor Input | Sensible To Total Ratio (S/T) | | | Total Cool Cap. | Comp. Motor Input | Sensible To Total Ratio (S/T) | | | Total Cool Cap. | Comp. Motor Input | Sensible To Total Ratio (S/T) | | |
| | | | | Dry Bulb | | | | | Dry Bulb | | | | | Dry Bulb | | | | | Dry Bulb | | |
| cfm | kBtuh | kW | 75°F | 80°F | 85°F | kBtuh | kW | 75°F | 80°F | 85°F | kBtuh | kW | 75°F | 80°F | 85°F | kBtuh | kW | 75°F | 80°F | 85°F | |
| 63°F | 2080 | 82.8 | 3.5 | 0.71 | 0.83 | 0.95 | 79.6 | 4.06 | 0.72 | 0.85 | 0.97 | 75.9 | 4.72 | 0.73 | 0.87 | 0.99 | 71.8 | 5.45 | 0.75 | 0.89 | 1 |
| | 2600 | 87.2 | 3.48 | 0.75 | 0.9 | 1 | 84 | 4.05 | 0.76 | 0.92 | 1 | 80.1 | 4.69 | 0.78 | 0.94 | 1 | 75.7 | 5.43 | 0.81 | 0.97 | 1 |
| | 3120 | 90.7 | 3.48 | 0.8 | 0.96 | 1 | 87.3 | 4.04 | 0.81 | 0.98 | 1 | 83.2 | 4.68 | 0.83 | 1 | 1 | 79.2 | 5.42 | 0.86 | 1 | 1 |
| 67°F | 2080 | 88.2 | 3.48 | 0.57 | 0.68 | 0.8 | 84.9 | 4.04 | 0.57 | 0.69 | 0.81 | 81.1 | 4.69 | 0.58 | 0.7 | 0.83 | 76.8 | 5.41 | 0.59 | 0.72 | 0.85 |
| | 2600 | 92.7 | 3.47 | 0.59 | 0.73 | 0.86 | 89.4 | 4.04 | 0.61 | 0.74 | 0.88 | 85.4 | 4.68 | 0.61 | 0.76 | 0.9 | 80.7 | 5.4 | 0.62 | 0.78 | 0.93 |
| | 3120 | 95.9 | 3.46 | 0.62 | 0.78 | 0.93 | 92.5 | 4.02 | 0.63 | 0.79 | 0.95 | 88.3 | 4.67 | 0.63 | 0.81 | 0.97 | 83.5 | 5.39 | 0.65 | 0.83 | 0.99 |
| 71°F | 2080 | 93.6 | 3.47 | 0.43 | 0.55 | 0.66 | 90.2 | 4.02 | 0.44 | 0.55 | 0.67 | 86.3 | 4.67 | 0.44 | 0.56 | 0.68 | 82.1 | 5.4 | 0.44 | 0.57 | 0.7 |
| | 2600 | 98.2 | 3.46 | 0.45 | 0.58 | 0.7 | 94.6 | 4.02 | 0.45 | 0.58 | 0.72 | 90.7 | 4.65 | 0.45 | 0.6 | 0.73 | 85.9 | 5.38 | 0.46 | 0.61 | 0.75 |
| | 3120 | 101.6 | 3.46 | 0.46 | 0.6 | 0.76 | 98 | 4.01 | 0.46 | 0.62 | 0.77 | 93.6 | 4.65 | 0.47 | 0.63 | 0.78 | 88.7 | 5.37 | 0.47 | 0.64 | 0.8 |

EL120XCSS + EL120XASD - 1 COMPRESSOR - FULL LOAD

| Entering Wet Bulb Temperature | Total Air Volume | Outdoor Air Temperature Entering Outdoor Coil | | | | | | | | | | | | | | | | | | | |
|-------------------------------|------------------|---|-------------------|-------------------------------|------|-------|-----------------|-------------------|-------------------------------|------|-------|-----------------|-------------------|-------------------------------|------|-------|-----------------|-------------------|-------------------------------|------|------|
| | | 85°F | | | | | 95°F | | | | | 105°F | | | | | 115°F | | | | |
| | | Total Cool Cap. | Comp. Motor Input | Sensible To Total Ratio (S/T) | | | Total Cool Cap. | Comp. Motor Input | Sensible To Total Ratio (S/T) | | | Total Cool Cap. | Comp. Motor Input | Sensible To Total Ratio (S/T) | | | Total Cool Cap. | Comp. Motor Input | Sensible To Total Ratio (S/T) | | |
| | | | | Dry Bulb | | | | | Dry Bulb | | | | | Dry Bulb | | | | | Dry Bulb | | |
| cfm | kBtuh | kW | 75°F | 80°F | 85°F | kBtuh | kW | 75°F | 80°F | 85°F | kBtuh | kW | 75°F | 80°F | 85°F | kBtuh | kW | 75°F | 80°F | 85°F | |
| 63°F | 3200 | 114.4 | 7.43 | 0.73 | 0.87 | 0.99 | 109.4 | 8.24 | 0.74 | 0.88 | 1 | 104.1 | 9.18 | 0.76 | 0.91 | 1 | 98.2 | 10.25 | 0.78 | 0.93 | 1 |
| | 4000 | 119.7 | 7.52 | 0.78 | 0.94 | 1 | 114.5 | 8.33 | 0.8 | 0.96 | 1 | 108.5 | 9.26 | 0.82 | 0.98 | 1 | 102.7 | 10.34 | 0.84 | 1 | 1 |
| | 4800 | 124.1 | 7.6 | 0.83 | 0.99 | 1 | 118.8 | 8.41 | 0.85 | 1 | 1 | 113.1 | 9.34 | 0.87 | 1 | 1 | 107.5 | 10.42 | 0.9 | 1 | 1 |
| 67°F | 3200 | 121.2 | 7.55 | 0.58 | 0.71 | 0.83 | 115.8 | 8.35 | 0.59 | 0.72 | 0.85 | 110.3 | 9.29 | 0.59 | 0.73 | 0.87 | 104.1 | 10.37 | 0.61 | 0.76 | 0.9 |
| | 4000 | 126.9 | 7.65 | 0.61 | 0.76 | 0.9 | 120.8 | 8.44 | 0.62 | 0.77 | 0.93 | 114.7 | 9.37 | 0.63 | 0.8 | 0.95 | 108.2 | 10.43 | 0.64 | 0.82 | 0.98 |
| | 4800 | 130.5 | 7.72 | 0.64 | 0.81 | 0.97 | 124.4 | 8.5 | 0.65 | 0.83 | 0.99 | 118.1 | 9.43 | 0.67 | 0.85 | 1 | 111.5 | 10.49 | 0.68 | 0.88 | 1 |
| 71°F | 3200 | 128.4 | 7.68 | 0.44 | 0.56 | 0.68 | 122.7 | 8.48 | 0.44 | 0.57 | 0.7 | 116.7 | 9.4 | 0.45 | 0.58 | 0.71 | 110.3 | 10.46 | 0.45 | 0.6 | 0.73 |
| | 4000 | 134.1 | 7.78 | 0.45 | 0.6 | 0.74 | 127.9 | 8.57 | 0.46 | 0.61 | 0.75 | 121.2 | 9.48 | 0.46 | 0.62 | 0.77 | 114.4 | 10.55 | 0.47 | 0.64 | 0.8 |
| | 4800 | 137.9 | 7.85 | 0.47 | 0.63 | 0.79 | 131.5 | 8.62 | 0.47 | 0.64 | 0.81 | 124.6 | 9.54 | 0.48 | 0.66 | 0.83 | 117.4 | 10.58 | 0.49 | 0.68 | 0.86 |

RATINGS

ONE OUTDOOR UNIT + ONE INDOOR UNIT

NOTE - For Temperatures and Capacities not shown in tables, see bulletin - Cooling Unit Rating Table Correction Factor Data in Miscellaneous Engineering Data section.

EL120XCSD + EL120XASD - 1 COMPRESSOR - PART LOAD

| Entering Wet Bulb Temperature | Total Air Volume | Outdoor Air Temperature Entering Outdoor Coil | | | | | | | | | | | | | | | | | | | |
|-------------------------------|------------------|---|-------------------|-------------------------------|------|-------|-----------------|-------------------|-------------------------------|------|-------|-----------------|-------------------|-------------------------------|------|-------|-----------------|-------------------|-------------------------------|------|------|
| | | 65°F | | | | | 75°F | | | | | 85°F | | | | | 95°F | | | | |
| | | Total Cool Cap. | Comp. Motor Input | Sensible To Total Ratio (S/T) | | | Total Cool Cap. | Comp. Motor Input | Sensible To Total Ratio (S/T) | | | Total Cool Cap. | Comp. Motor Input | Sensible To Total Ratio (S/T) | | | Total Cool Cap. | Comp. Motor Input | Sensible To Total Ratio (S/T) | | |
| | | | | Dry Bulb | | | | | Dry Bulb | | | | | Dry Bulb | | | | | Dry Bulb | | |
| cfm | kBtuh | kW | 75°F | 80°F | 85°F | kBtuh | kW | 75°F | 80°F | 85°F | kBtuh | kW | 75°F | 80°F | 85°F | kBtuh | kW | 75°F | 80°F | 85°F | |
| 63°F | 2080 | 43.9 | 1.87 | 0.69 | 0.82 | 0.93 | 42.2 | 2.17 | 0.71 | 0.83 | 0.95 | 40.1 | 2.50 | 0.72 | 0.85 | 0.97 | 37.7 | 2.87 | 0.74 | 0.87 | 0.99 |
| | 2600 | 46.4 | 1.86 | 0.74 | 0.87 | 1 | 44.5 | 2.16 | 0.75 | 0.89 | 1 | 42.3 | 2.49 | 0.77 | 0.91 | 1 | 39.9 | 2.87 | 0.78 | 0.94 | 1 |
| | 3120 | 48.4 | 1.85 | 0.78 | 0.93 | 1 | 46.4 | 2.15 | 0.79 | 0.95 | 1 | 44.1 | 2.49 | 0.81 | 0.97 | 1 | 41.4 | 2.86 | 0.84 | 1 | 1 |
| 67°F | 2080 | 46.9 | 1.86 | 0.56 | 0.67 | 0.78 | 44.9 | 2.15 | 0.56 | 0.68 | 0.79 | 42.7 | 2.49 | 0.57 | 0.69 | 0.81 | 40.5 | 2.87 | 0.58 | 0.71 | 0.83 |
| | 2600 | 49.5 | 1.85 | 0.58 | 0.71 | 0.84 | 47.4 | 2.15 | 0.59 | 0.72 | 0.85 | 45.1 | 2.48 | 0.6 | 0.74 | 0.88 | 42.5 | 2.86 | 0.61 | 0.76 | 0.91 |
| | 3120 | 51.4 | 1.84 | 0.6 | 0.75 | 0.89 | 49.2 | 2.14 | 0.62 | 0.77 | 0.92 | 46.7 | 2.48 | 0.62 | 0.79 | 0.94 | 43.9 | 2.86 | 0.64 | 0.81 | 0.97 |
| 71°F | 2080 | 49.7 | 1.85 | 0.43 | 0.54 | 0.64 | 47.7 | 2.14 | 0.43 | 0.54 | 0.65 | 45.5 | 2.48 | 0.44 | 0.55 | 0.66 | 43 | 2.86 | 0.44 | 0.56 | 0.68 |
| | 2600 | 52.3 | 1.83 | 0.44 | 0.56 | 0.68 | 50.4 | 2.13 | 0.44 | 0.58 | 0.7 | 47.9 | 2.47 | 0.45 | 0.58 | 0.71 | 45.2 | 2.85 | 0.45 | 0.6 | 0.74 |
| | 3120 | 54.4 | 1.82 | 0.45 | 0.59 | 0.73 | 52.2 | 2.12 | 0.45 | 0.6 | 0.75 | 49.6 | 2.47 | 0.46 | 0.62 | 0.77 | 46.7 | 2.84 | 0.46 | 0.63 | 0.79 |

EL120XCSD + EL120XASD - 2 COMPRESSORS - PART LOAD / PART LOAD

| Entering Wet Bulb Temperature | Total Air Volume | Outdoor Air Temperature Entering Outdoor Coil | | | | | | | | | | | | | | | | | | | |
|-------------------------------|------------------|---|-------------------|-------------------------------|------|-------|-----------------|-------------------|-------------------------------|------|-------|-----------------|-------------------|-------------------------------|------|-------|-----------------|-------------------|-------------------------------|------|------|
| | | 85°F | | | | | 95°F | | | | | 105°F | | | | | 115°F | | | | |
| | | Total Cool Cap. | Comp. Motor Input | Sensible To Total Ratio (S/T) | | | Total Cool Cap. | Comp. Motor Input | Sensible To Total Ratio (S/T) | | | Total Cool Cap. | Comp. Motor Input | Sensible To Total Ratio (S/T) | | | Total Cool Cap. | Comp. Motor Input | Sensible To Total Ratio (S/T) | | |
| | | | | Dry Bulb | | | | | Dry Bulb | | | | | Dry Bulb | | | | | Dry Bulb | | |
| cfm | kBtuh | kW | 75°F | 80°F | 85°F | kBtuh | kW | 75°F | 80°F | 85°F | kBtuh | kW | 75°F | 80°F | 85°F | kBtuh | kW | 75°F | 80°F | 85°F | |
| 63°F | 2400 | 95.8 | 3.69 | 0.72 | 0.85 | 0.97 | 92 | 4.27 | 0.73 | 0.87 | 0.99 | 87.5 | 4.93 | 0.74 | 0.89 | 1 | 82.4 | 5.68 | 0.77 | 0.92 | 1 |
| | 3000 | 100.9 | 3.67 | 0.77 | 0.92 | 1 | 96.8 | 4.25 | 0.78 | 0.94 | 1 | 91.9 | 4.92 | 0.8 | 0.96 | 1 | 86.4 | 5.66 | 0.82 | 0.99 | 1 |
| | 3600 | 104.9 | 3.65 | 0.82 | 0.98 | 1 | 100.2 | 4.24 | 0.83 | 0.99 | 1 | 95.6 | 4.90 | 0.85 | 1 | 1 | 90.9 | 5.65 | 0.88 | 1 | 1 |
| 67°F | 2400 | 102.2 | 3.66 | 0.57 | 0.7 | 0.81 | 97.9 | 4.25 | 0.58 | 0.7 | 0.83 | 93.2 | 4.91 | 0.59 | 0.72 | 0.85 | 87.9 | 5.66 | 0.6 | 0.74 | 0.88 |
| | 3000 | 107 | 3.64 | 0.6 | 0.74 | 0.88 | 102.7 | 4.23 | 0.61 | 0.76 | 0.9 | 97.7 | 4.89 | 0.62 | 0.78 | 0.93 | 91.9 | 5.64 | 0.63 | 0.8 | 0.96 |
| | 3600 | 111 | 3.62 | 0.63 | 0.79 | 0.95 | 106.2 | 4.21 | 0.64 | 0.81 | 0.97 | 100.9 | 4.88 | 0.65 | 0.83 | 0.99 | 94.8 | 5.63 | 0.67 | 0.86 | 1 |
| 71°F | 2400 | 108.3 | 3.63 | 0.44 | 0.55 | 0.67 | 103.9 | 4.22 | 0.44 | 0.56 | 0.68 | 98.9 | 4.89 | 0.44 | 0.57 | 0.7 | 93.2 | 5.64 | 0.45 | 0.58 | 0.71 |
| | 3000 | 113.5 | 3.61 | 0.45 | 0.59 | 0.72 | 108.7 | 4.20 | 0.45 | 0.59 | 0.73 | 103.4 | 4.87 | 0.46 | 0.61 | 0.75 | 97.3 | 5.62 | 0.46 | 0.62 | 0.77 |
| | 3600 | 117.2 | 3.59 | 0.46 | 0.62 | 0.77 | 112.4 | 4.19 | 0.46 | 0.63 | 0.79 | 106.5 | 4.86 | 0.47 | 0.64 | 0.81 | 100.2 | 5.61 | 0.48 | 0.66 | 0.83 |

EL120XCSD + EL120XASD - 2 COMPRESSORS - FULL LOAD

| Entering Wet Bulb Temperature | Total Air Volume | Outdoor Air Temperature Entering Outdoor Coil | | | | | | | | | | | | | | | | | | | |
|-------------------------------|------------------|---|-------------------|-------------------------------|------|-------|-----------------|-------------------|-------------------------------|------|-------|-----------------|-------------------|-------------------------------|------|-------|-----------------|-------------------|-------------------------------|------|------|
| | | 85°F | | | | | 95°F | | | | | 105°F | | | | | 115°F | | | | |
| | | Total Cool Cap. | Comp. Motor Input | Sensible To Total Ratio (S/T) | | | Total Cool Cap. | Comp. Motor Input | Sensible To Total Ratio (S/T) | | | Total Cool Cap. | Comp. Motor Input | Sensible To Total Ratio (S/T) | | | Total Cool Cap. | Comp. Motor Input | Sensible To Total Ratio (S/T) | | |
| | | | | Dry Bulb | | | | | Dry Bulb | | | | | Dry Bulb | | | | | Dry Bulb | | |
| cfm | kBtuh | kW | 75°F | 80°F | 85°F | kBtuh | kW | 75°F | 80°F | 85°F | kBtuh | kW | 75°F | 80°F | 85°F | kBtuh | kW | 75°F | 80°F | 85°F | |
| 63°F | 3200 | 118.1 | 7.24 | 0.74 | 0.87 | 0.99 | 112.9 | 8.08 | 0.75 | 0.89 | 1 | 107.5 | 9.09 | 0.77 | 0.91 | 1 | 101.6 | 10.23 | 0.79 | 0.94 | 1 |
| | 4000 | 124 | 7.31 | 0.79 | 0.94 | 1 | 118.4 | 8.16 | 0.8 | 0.96 | 1 | 112.5 | 9.15 | 0.82 | 0.98 | 1 | 106.3 | 10.30 | 0.85 | 1 | 1 |
| | 4800 | 128.2 | 7.37 | 0.84 | 1 | 1 | 122.6 | 8.22 | 0.86 | 1 | 1 | 117.2 | 9.22 | 0.88 | 1 | 1 | 111.4 | 10.38 | 0.9 | 1 | 1 |
| 67°F | 3200 | 125.4 | 7.33 | 0.58 | 0.71 | 0.84 | 119.7 | 8.18 | 0.59 | 0.72 | 0.85 | 114 | 9.18 | 0.6 | 0.74 | 0.88 | 107.7 | 10.32 | 0.61 | 0.76 | 0.9 |
| | 4000 | 131 | 7.41 | 0.61 | 0.76 | 0.91 | 125 | 8.26 | 0.63 | 0.78 | 0.93 | 118.6 | 9.25 | 0.64 | 0.8 | 0.96 | 112 | 10.39 | 0.65 | 0.82 | 0.98 |
| | 4800 | 135.3 | 7.48 | 0.64 | 0.82 | 0.97 | 128.9 | 8.32 | 0.66 | 0.83 | 0.99 | 122.1 | 9.30 | 0.67 | 0.86 | 1 | 114.9 | 10.44 | 0.68 | 0.89 | 1 |
| 71°F | 3200 | 132.6 | 7.44 | 0.44 | 0.57 | 0.69 | 126.7 | 8.29 | 0.44 | 0.57 | 0.7 | 120.5 | 9.28 | 0.45 | 0.58 | 0.72 | 113.6 | 10.42 | 0.45 | 0.6 | 0.73 |
| | 4000 | 138.4 | 7.52 | 0.46 | 0.6 | 0.74 | 131.9 | 8.37 | 0.46 | 0.61 | 0.76 | 125.2 | 9.35 | 0.46 | 0.62 | 0.78 | 118 | 10.49 | 0.47 | 0.64 | 0.8 |
| | 4800 | 142.5 | 7.59 | 0.46 | 0.63 | 0.79 | 135.9 | 8.43 | 0.47 | 0.65 | 0.81 | 128.6 | 9.41 | 0.48 | 0.66 | 0.84 | 121 | 10.55 | 0.49 | 0.68 | 0.86 |

RATINGS

ONE OUTDOOR UNIT + ONE INDOOR UNIT

NOTE - For Temperatures and Capacities not shown in tables, see bulletin - Cooling Unit Rating Table Correction Factor Data in Miscellaneous Engineering Data section.

EL150XCSD + EL150XASD - PART LOAD (1 COMPRESSOR)

| Entering Wet Bulb Temperature | Total Air Volume | Outdoor Air Temperature Entering Outdoor Coil | | | | | | | | | | | | | | | | | | | |
|-------------------------------|------------------|---|-------------------|-------------------------------|------|-------|-----------------|-------------------|-------------------------------|------|-------|-----------------|-------------------|-------------------------------|------|-------|-----------------|-------------------|-------------------------------|------|------|
| | | 65°F | | | | | 75°F | | | | | 85°F | | | | | 95°F | | | | |
| | | Total Cool Cap. | Comp. Motor Input | Sensible To Total Ratio (S/T) | | | Total Cool Cap. | Comp. Motor Input | Sensible To Total Ratio (S/T) | | | Total Cool Cap. | Comp. Motor Input | Sensible To Total Ratio (S/T) | | | Total Cool Cap. | Comp. Motor Input | Sensible To Total Ratio (S/T) | | |
| | | | | Dry Bulb | | | | | Dry Bulb | | | | | Dry Bulb | | | | | Dry Bulb | | |
| cfm | kBtuh | kW | 75°F | 80°F | 85°F | kBtuh | kW | 75°F | 80°F | 85°F | kBtuh | kW | 75°F | 80°F | 85°F | kBtuh | kW | 75°F | 80°F | 85°F | |
| 63°F | 2640 | 52.2 | 2.29 | 0.71 | 0.83 | 0.95 | 50.5 | 2.65 | 0.72 | 0.84 | 0.97 | 48.3 | 3.06 | 0.73 | 0.86 | 0.98 | 46 | 3.54 | 0.74 | 0.88 | 1 |
| | 3300 | 55.2 | 2.28 | 0.75 | 0.89 | 1 | 53.2 | 2.64 | 0.76 | 0.91 | 1 | 50.9 | 3.05 | 0.78 | 0.93 | 1 | 48.4 | 3.53 | 0.8 | 0.95 | 1 |
| | 3960 | 57.5 | 2.27 | 0.79 | 0.95 | 1 | 55.3 | 2.63 | 0.81 | 0.97 | 1 | 52.9 | 3.05 | 0.83 | 0.99 | 1 | 50.4 | 3.52 | 0.85 | 1 | 1 |
| 67°F | 2640 | 55.9 | 2.27 | 0.56 | 0.68 | 0.79 | 53.9 | 2.64 | 0.57 | 0.69 | 0.81 | 51.6 | 3.05 | 0.57 | 0.7 | 0.82 | 49.2 | 3.53 | 0.58 | 0.71 | 0.84 |
| | 3300 | 59 | 2.26 | 0.59 | 0.72 | 0.86 | 56.8 | 2.62 | 0.6 | 0.74 | 0.87 | 54.3 | 3.04 | 0.6 | 0.75 | 0.89 | 51.7 | 3.52 | 0.62 | 0.77 | 0.92 |
| | 3960 | 61.2 | 2.25 | 0.62 | 0.77 | 0.92 | 58.9 | 2.61 | 0.62 | 0.78 | 0.93 | 56.2 | 3.03 | 0.63 | 0.8 | 0.96 | 53.4 | 3.51 | 0.65 | 0.83 | 0.98 |
| 71°F | 2640 | 59.4 | 2.26 | 0.43 | 0.54 | 0.65 | 57.5 | 2.62 | 0.44 | 0.55 | 0.66 | 55.1 | 3.03 | 0.44 | 0.56 | 0.67 | 52.4 | 3.51 | 0.44 | 0.57 | 0.69 |
| | 3300 | 62.6 | 2.24 | 0.44 | 0.57 | 0.7 | 60.4 | 2.60 | 0.45 | 0.58 | 0.71 | 57.8 | 3.02 | 0.45 | 0.59 | 0.72 | 55 | 3.50 | 0.45 | 0.6 | 0.74 |
| | 3960 | 65 | 2.22 | 0.45 | 0.6 | 0.74 | 62.5 | 2.59 | 0.46 | 0.61 | 0.76 | 59.8 | 3.01 | 0.46 | 0.62 | 0.78 | 56.8 | 3.49 | 0.47 | 0.63 | 0.8 |

EL150XCSD + EL150XASD - 2 COMPRESSORS - PART LOAD / PART LOAD

| Entering Wet Bulb Temperature | Total Air Volume | Outdoor Air Temperature Entering Outdoor Coil | | | | | | | | | | | | | | | | | | | |
|-------------------------------|------------------|---|-------------------|-------------------------------|------|-------|-----------------|-------------------|-------------------------------|------|-------|-----------------|-------------------|-------------------------------|------|-------|-----------------|-------------------|-------------------------------|------|------|
| | | 85°F | | | | | 95°F | | | | | 105°F | | | | | 115°F | | | | |
| | | Total Cool Cap. | Comp. Motor Input | Sensible To Total Ratio (S/T) | | | Total Cool Cap. | Comp. Motor Input | Sensible To Total Ratio (S/T) | | | Total Cool Cap. | Comp. Motor Input | Sensible To Total Ratio (S/T) | | | Total Cool Cap. | Comp. Motor Input | Sensible To Total Ratio (S/T) | | |
| | | | | Dry Bulb | | | | | Dry Bulb | | | | | Dry Bulb | | | | | Dry Bulb | | |
| cfm | kBtuh | kW | 75°F | 80°F | 85°F | kBtuh | kW | 75°F | 80°F | 85°F | kBtuh | kW | 75°F | 80°F | 85°F | kBtuh | kW | 75°F | 80°F | 85°F | |
| 63°F | 3000 | 115.3 | 4.32 | 0.73 | 0.86 | 0.99 | 111.3 | 5.01 | 0.74 | 0.88 | 1 | 106.7 | 5.80 | 0.75 | 0.89 | 1 | 101.6 | 6.70 | 0.77 | 0.92 | 1 |
| | 3750 | 121.5 | 4.30 | 0.78 | 0.93 | 1 | 117 | 4.99 | 0.79 | 0.95 | 1 | 112 | 5.77 | 0.81 | 0.97 | 1 | 106.6 | 6.67 | 0.83 | 0.99 | 1 |
| | 4500 | 126.1 | 4.28 | 0.83 | 0.99 | 1 | 121.4 | 4.96 | 0.85 | 1 | 1 | 116.8 | 5.76 | 0.86 | 1 | 1 | 111.8 | 6.65 | 0.89 | 1 | 1 |
| 67°F | 3000 | 123.2 | 4.29 | 0.58 | 0.7 | 0.83 | 118.9 | 4.98 | 0.58 | 0.72 | 0.84 | 113.9 | 5.77 | 0.59 | 0.73 | 0.86 | 108.2 | 6.66 | 0.6 | 0.74 | 0.88 |
| | 3750 | 129.3 | 4.27 | 0.61 | 0.75 | 0.9 | 124.6 | 4.95 | 0.61 | 0.77 | 0.92 | 119.3 | 5.75 | 0.63 | 0.78 | 0.94 | 113.2 | 6.65 | 0.64 | 0.81 | 0.96 |
| | 4500 | 133.8 | 4.24 | 0.64 | 0.81 | 0.96 | 128.6 | 4.93 | 0.65 | 0.82 | 0.98 | 123 | 5.73 | 0.66 | 0.84 | 1 | 116.8 | 6.63 | 0.67 | 0.86 | 1 |
| 71°F | 3000 | 131 | 4.26 | 0.44 | 0.56 | 0.68 | 126.3 | 4.95 | 0.44 | 0.57 | 0.69 | 121.3 | 5.73 | 0.44 | 0.58 | 0.7 | 115.2 | 6.63 | 0.45 | 0.58 | 0.72 |
| | 3750 | 137.4 | 4.22 | 0.45 | 0.59 | 0.73 | 132.2 | 4.91 | 0.45 | 0.6 | 0.74 | 126.8 | 5.71 | 0.45 | 0.61 | 0.76 | 120.5 | 6.61 | 0.46 | 0.62 | 0.78 |
| | 4500 | 142.1 | 4.19 | 0.46 | 0.63 | 0.78 | 136.8 | 4.89 | 0.47 | 0.64 | 0.79 | 130.8 | 5.68 | 0.47 | 0.65 | 0.82 | 124.1 | 6.59 | 0.48 | 0.66 | 0.84 |

EL150XCSD + EL150XASD - 2 COMPRESSORS - FULL LOAD

| Entering Wet Bulb Temperature | Total Air Volume | Outdoor Air Temperature Entering Outdoor Coil | | | | | | | | | | | | | | | | | | | |
|-------------------------------|------------------|---|-------------------|-------------------------------|------|-------|-----------------|-------------------|-------------------------------|------|-------|-----------------|-------------------|-------------------------------|------|-------|-----------------|-------------------|-------------------------------|------|------|
| | | 85°F | | | | | 95°F | | | | | 105°F | | | | | 115°F | | | | |
| | | Total Cool Cap. | Comp. Motor Input | Sensible To Total Ratio (S/T) | | | Total Cool Cap. | Comp. Motor Input | Sensible To Total Ratio (S/T) | | | Total Cool Cap. | Comp. Motor Input | Sensible To Total Ratio (S/T) | | | Total Cool Cap. | Comp. Motor Input | Sensible To Total Ratio (S/T) | | |
| | | | | Dry Bulb | | | | | Dry Bulb | | | | | Dry Bulb | | | | | Dry Bulb | | |
| cfm | kBtuh | kW | 75°F | 80°F | 85°F | kBtuh | kW | 75°F | 80°F | 85°F | kBtuh | kW | 75°F | 80°F | 85°F | kBtuh | kW | 75°F | 80°F | 85°F | |
| 63°F | 4000 | 139 | 8.31 | 0.75 | 0.89 | 1 | 132.3 | 9.45 | 0.76 | 0.91 | 1 | 125.4 | 10.76 | 0.78 | 0.94 | 1 | 117.7 | 12.29 | 0.81 | 0.97 | 1 |
| | 5000 | 145.1 | 8.35 | 0.8 | 0.96 | 1 | 138 | 9.48 | 0.83 | 0.98 | 1 | 130.6 | 10.80 | 0.85 | 1 | 1 | 123.7 | 12.32 | 0.87 | 1 | 1 |
| | 6000 | 150.2 | 8.39 | 0.86 | 1 | 1 | 143.8 | 9.53 | 0.88 | 1 | 1 | 136.7 | 10.85 | 0.91 | 1 | 1 | 128.9 | 12.35 | 0.94 | 1 | 1 |
| 67°F | 4000 | 147.4 | 8.37 | 0.59 | 0.73 | 0.86 | 140.3 | 9.51 | 0.6 | 0.74 | 0.88 | 133 | 10.82 | 0.61 | 0.76 | 0.91 | 124.7 | 12.32 | 0.62 | 0.78 | 0.94 |
| | 5000 | 153.5 | 8.42 | 0.62 | 0.78 | 0.93 | 145.9 | 9.55 | 0.63 | 0.8 | 0.96 | 137.9 | 10.85 | 0.65 | 0.83 | 0.98 | 129 | 12.35 | 0.67 | 0.85 | 1 |
| | 6000 | 157.8 | 8.46 | 0.66 | 0.84 | 0.99 | 149.7 | 9.58 | 0.67 | 0.86 | 1 | 141.4 | 10.89 | 0.69 | 0.89 | 1 | 132.2 | 12.38 | 0.71 | 0.92 | 1 |
| 71°F | 4000 | 155.7 | 8.44 | 0.44 | 0.58 | 0.7 | 148.3 | 9.58 | 0.44 | 0.59 | 0.72 | 140.5 | 10.87 | 0.45 | 0.6 | 0.74 | 131.9 | 12.38 | 0.46 | 0.61 | 0.76 |
| | 5000 | 162 | 8.49 | 0.46 | 0.61 | 0.76 | 154 | 9.63 | 0.46 | 0.62 | 0.78 | 145.6 | 10.92 | 0.46 | 0.64 | 0.8 | 136.6 | 12.42 | 0.47 | 0.66 | 0.83 |
| | 6000 | 166.4 | 8.54 | 0.47 | 0.65 | 0.82 | 158.1 | 9.67 | 0.48 | 0.66 | 0.84 | 149.5 | 10.96 | 0.48 | 0.68 | 0.87 | 139.8 | 12.44 | 0.49 | 0.7 | 0.9 |

RATINGS

ONE OUTDOOR UNIT + ONE INDOOR UNIT

NOTE - For Temperatures and Capacities not shown in tables, see bulletin - Cooling Unit Rating Table Correction Factor Data in Miscellaneous Engineering Data section.

EL150XCSD + EL180XASD - 1 COMPRESSOR - PART LOAD

| Entering Wet Bulb Temperature | Total Air Volume | Outdoor Air Temperature Entering Outdoor Coil | | | | | | | | | | | | | | | | | | | | |
|-------------------------------|------------------|---|-------------------|-------------------------------|------|-------|-----------------|-------------------|-------------------------------|------|-------|-----------------|-------------------|-------------------------------|------|-------|-----------------|-------------------|-------------------------------|------|------|--|
| | | 65°F | | | | | | 75°F | | | | | 85°F | | | | | 95°F | | | | |
| | | Total Cool Cap. | Comp. Motor Input | Sensible To Total Ratio (S/T) | | | Total Cool Cap. | Comp. Motor Input | Sensible To Total Ratio (S/T) | | | Total Cool Cap. | Comp. Motor Input | Sensible To Total Ratio (S/T) | | | Total Cool Cap. | Comp. Motor Input | Sensible To Total Ratio (S/T) | | | |
| | | | | Dry Bulb | | | | | Dry Bulb | | | | | Dry Bulb | | | | | Dry Bulb | | | |
| cfm | kBtuh | kW | 75°F | 80°F | 85°F | kBtuh | kW | 75°F | 80°F | 85°F | kBtuh | kW | 75°F | 80°F | 85°F | kBtuh | kW | 75°F | 80°F | 85°F | | |
| 63°F | 2640 | 52.3 | 2.29 | 0.7 | 0.82 | 0.94 | 50.6 | 2.65 | 0.71 | 0.84 | 0.96 | 48.5 | 3.06 | 0.72 | 0.85 | 0.98 | 46.2 | 3.54 | 0.74 | 0.87 | 1 | |
| | 3300 | 55.5 | 2.28 | 0.74 | 0.88 | 1 | 53.5 | 2.64 | 0.75 | 0.9 | 1 | 51.2 | 3.05 | 0.77 | 0.92 | 1 | 48.6 | 3.53 | 0.79 | 0.94 | 1 | |
| | 3960 | 57.7 | 2.26 | 0.78 | 0.94 | 1 | 55.6 | 2.63 | 0.8 | 0.96 | 1 | 53.1 | 3.05 | 0.81 | 0.98 | 1 | 50.5 | 3.52 | 0.84 | 1 | 1 | |
| 67°F | 2640 | 55.7 | 2.28 | 0.56 | 0.68 | 0.79 | 53.8 | 2.64 | 0.57 | 0.69 | 0.8 | 51.7 | 3.06 | 0.58 | 0.7 | 0.82 | 49.2 | 3.53 | 0.58 | 0.71 | 0.83 | |
| | 3300 | 59 | 2.26 | 0.59 | 0.72 | 0.85 | 56.8 | 2.62 | 0.59 | 0.73 | 0.86 | 54.5 | 3.03 | 0.6 | 0.74 | 0.88 | 51.8 | 3.52 | 0.61 | 0.76 | 0.9 | |
| | 3960 | 61.4 | 2.24 | 0.61 | 0.76 | 0.9 | 59.1 | 2.61 | 0.62 | 0.77 | 0.92 | 56.7 | 3.03 | 0.63 | 0.79 | 0.95 | 53.7 | 3.51 | 0.64 | 0.81 | 0.97 | |
| 71°F | 2640 | 59 | 2.26 | 0.44 | 0.54 | 0.65 | 56.8 | 2.62 | 0.44 | 0.55 | 0.66 | 54.6 | 3.04 | 0.44 | 0.56 | 0.67 | 52.1 | 3.51 | 0.44 | 0.57 | 0.68 | |
| | 3300 | 62.4 | 2.24 | 0.45 | 0.57 | 0.69 | 60.2 | 2.60 | 0.45 | 0.58 | 0.7 | 57.7 | 3.02 | 0.45 | 0.59 | 0.72 | 55 | 3.50 | 0.46 | 0.6 | 0.73 | |
| | 3960 | 65 | 2.22 | 0.45 | 0.6 | 0.73 | 62.6 | 2.59 | 0.45 | 0.6 | 0.75 | 60 | 3.01 | 0.45 | 0.62 | 0.76 | 57.1 | 3.49 | 0.46 | 0.63 | 0.78 | |

EL150XCSD + EL180XASD - 2 COMPRESSORS - PART LOAD / PART LOAD

| Entering Wet Bulb Temperature | Total Air Volume | Outdoor Air Temperature Entering Outdoor Coil | | | | | | | | | | | | | | | | | | | | |
|-------------------------------|------------------|---|-------------------|-------------------------------|------|-------|-----------------|-------------------|-------------------------------|------|-------|-----------------|-------------------|-------------------------------|------|-------|-----------------|-------------------|-------------------------------|------|------|--|
| | | 85°F | | | | | | 95°F | | | | | 105°F | | | | | 115°F | | | | |
| | | Total Cool Cap. | Comp. Motor Input | Sensible To Total Ratio (S/T) | | | Total Cool Cap. | Comp. Motor Input | Sensible To Total Ratio (S/T) | | | Total Cool Cap. | Comp. Motor Input | Sensible To Total Ratio (S/T) | | | Total Cool Cap. | Comp. Motor Input | Sensible To Total Ratio (S/T) | | | |
| | | | | Dry Bulb | | | | | Dry Bulb | | | | | Dry Bulb | | | | | Dry Bulb | | | |
| cfm | kBtuh | kW | 75°F | 80°F | 85°F | kBtuh | kW | 75°F | 80°F | 85°F | kBtuh | kW | 75°F | 80°F | 85°F | kBtuh | kW | 75°F | 80°F | 85°F | | |
| 63°F | 3000 | 115.2 | 4.33 | 0.72 | 0.85 | 0.98 | 111.1 | 5.01 | 0.73 | 0.87 | 0.99 | 106.6 | 5.80 | 0.75 | 0.89 | 1 | 101.4 | 6.70 | 0.76 | 0.91 | 1 | |
| | 3750 | 121.3 | 4.30 | 0.77 | 0.92 | 1 | 116.9 | 4.99 | 0.78 | 0.94 | 1 | 112 | 5.78 | 0.8 | 0.96 | 1 | 106.5 | 6.68 | 0.82 | 0.98 | 1 | |
| | 4500 | 126 | 4.28 | 0.82 | 0.98 | 1 | 121.4 | 4.97 | 0.83 | 0.99 | 1 | 116.3 | 5.75 | 0.85 | 1 | 1 | 111.4 | 6.66 | 0.87 | 1 | 1 | |
| 67°F | 3000 | 122.4 | 4.29 | 0.57 | 0.7 | 0.82 | 118.1 | 4.98 | 0.58 | 0.71 | 0.83 | 113.5 | 5.77 | 0.59 | 0.72 | 0.85 | 108 | 6.66 | 0.6 | 0.74 | 0.87 | |
| | 3750 | 128.9 | 4.26 | 0.6 | 0.74 | 0.88 | 124.3 | 4.96 | 0.61 | 0.76 | 0.9 | 119.2 | 5.75 | 0.62 | 0.77 | 0.92 | 113.3 | 6.65 | 0.63 | 0.79 | 0.95 | |
| | 4500 | 133.8 | 4.24 | 0.63 | 0.79 | 0.94 | 128.8 | 4.93 | 0.64 | 0.81 | 0.96 | 123 | 5.73 | 0.65 | 0.82 | 0.98 | 117 | 6.63 | 0.67 | 0.85 | 1 | |
| 71°F | 3000 | 129.6 | 4.26 | 0.43 | 0.56 | 0.67 | 125 | 4.95 | 0.44 | 0.56 | 0.68 | 120.3 | 5.74 | 0.43 | 0.57 | 0.7 | 114.6 | 6.64 | 0.43 | 0.58 | 0.71 | |
| | 3750 | 136.5 | 4.22 | 0.45 | 0.58 | 0.72 | 131.5 | 4.92 | 0.44 | 0.59 | 0.73 | 126.1 | 5.71 | 0.44 | 0.6 | 0.75 | 120 | 6.61 | 0.46 | 0.62 | 0.77 | |
| | 4500 | 141.7 | 4.20 | 0.44 | 0.62 | 0.77 | 136.5 | 4.89 | 0.45 | 0.62 | 0.78 | 130.4 | 5.68 | 0.46 | 0.64 | 0.8 | 124 | 6.59 | 0.47 | 0.65 | 0.82 | |

EL150XCSD + EL180XASD - 2 COMPRESSORS - FULL LOAD

| Entering Wet Bulb Temperature | Total Air Volume | Outdoor Air Temperature Entering Outdoor Coil | | | | | | | | | | | | | | | | | | | | |
|-------------------------------|------------------|---|-------------------|-------------------------------|------|-------|-----------------|-------------------|-------------------------------|------|-------|-----------------|-------------------|-------------------------------|------|-------|-----------------|-------------------|-------------------------------|------|------|--|
| | | 85°F | | | | | | 95°F | | | | | 105°F | | | | | 115°F | | | | |
| | | Total Cool Cap. | Comp. Motor Input | Sensible To Total Ratio (S/T) | | | Total Cool Cap. | Comp. Motor Input | Sensible To Total Ratio (S/T) | | | Total Cool Cap. | Comp. Motor Input | Sensible To Total Ratio (S/T) | | | Total Cool Cap. | Comp. Motor Input | Sensible To Total Ratio (S/T) | | | |
| | | | | Dry Bulb | | | | | Dry Bulb | | | | | Dry Bulb | | | | | Dry Bulb | | | |
| cfm | kBtuh | kW | 75°F | 80°F | 85°F | kBtuh | kW | 75°F | 80°F | 85°F | kBtuh | kW | 75°F | 80°F | 85°F | kBtuh | kW | 75°F | 80°F | 85°F | | |
| 63°F | 4000 | 139.6 | 8.31 | 0.74 | 0.88 | 1 | 133 | 9.45 | 0.75 | 0.9 | 1 | 126.1 | 10.77 | 0.77 | 0.92 | 1 | 118.3 | 12.28 | 0.79 | 0.95 | 1 | |
| | 5000 | 145.7 | 8.36 | 0.79 | 0.95 | 1 | 138.8 | 9.50 | 0.81 | 0.97 | 1 | 131.5 | 10.81 | 0.83 | 0.99 | 1 | 123.7 | 12.30 | 0.86 | 1 | 1 | |
| | 6000 | 150.8 | 8.40 | 0.84 | 1 | 1 | 143.9 | 9.54 | 0.86 | 1 | 1 | 136.9 | 10.85 | 0.89 | 1 | 1 | 129.5 | 12.36 | 0.92 | 1 | 1 | |
| 67°F | 4000 | 147.6 | 8.37 | 0.59 | 0.72 | 0.84 | 140.8 | 9.51 | 0.59 | 0.73 | 0.86 | 133.5 | 10.82 | 0.6 | 0.75 | 0.89 | 125.2 | 12.32 | 0.62 | 0.77 | 0.92 | |
| | 5000 | 154 | 8.42 | 0.62 | 0.77 | 0.92 | 146.6 | 9.55 | 0.63 | 0.79 | 0.94 | 138.9 | 10.86 | 0.64 | 0.81 | 0.97 | 130.3 | 12.36 | 0.66 | 0.83 | 0.99 | |
| | 6000 | 158.7 | 8.47 | 0.65 | 0.82 | 0.97 | 150.9 | 9.60 | 0.66 | 0.84 | 1 | 142.8 | 10.90 | 0.67 | 0.87 | 1 | 133.4 | 12.39 | 0.7 | 0.9 | 1 | |
| 71°F | 4000 | 155.2 | 8.43 | 0.44 | 0.57 | 0.69 | 148.2 | 9.57 | 0.44 | 0.58 | 0.71 | 140.5 | 10.88 | 0.44 | 0.59 | 0.73 | 132.1 | 12.38 | 0.45 | 0.6 | 0.75 | |
| | 5000 | 162.2 | 8.50 | 0.45 | 0.6 | 0.74 | 154.3 | 9.63 | 0.45 | 0.61 | 0.76 | 146.1 | 10.93 | 0.47 | 0.63 | 0.79 | 137.2 | 12.43 | 0.47 | 0.65 | 0.81 | |
| | 6000 | 167.3 | 8.55 | 0.45 | 0.63 | 0.8 | 159.2 | 9.68 | 0.47 | 0.65 | 0.82 | 150.5 | 10.97 | 0.48 | 0.67 | 0.84 | 140.7 | 12.45 | 0.49 | 0.69 | 0.88 | |

RATINGS

ONE OUTDOOR UNIT + ONE INDOOR UNIT

NOTE - For Temperatures and Capacities not shown in tables, see bulletin - Cooling Unit Rating Table Correction Factor Data in Miscellaneous Engineering Data section.

EL180XCSD + EL180XASD - 1 COMPRESSOR - PART LOAD

| Entering Wet Bulb Temperature | Total Air Volume | Outdoor Air Temperature Entering Outdoor Coil | | | | | | | | | | | | | | | | | | | |
|-------------------------------|------------------|---|-------------------|-------------------------------|------|-------|-----------------|-------------------|-------------------------------|------|-------|-----------------|-------------------|-------------------------------|------|-------|-----------------|-------------------|-------------------------------|------|------|
| | | 65°F | | | | | 75°F | | | | | 85°F | | | | | 95°F | | | | |
| | | Total Cool Cap. | Comp. Motor Input | Sensible To Total Ratio (S/T) | | | Total Cool Cap. | Comp. Motor Input | Sensible To Total Ratio (S/T) | | | Total Cool Cap. | Comp. Motor Input | Sensible To Total Ratio (S/T) | | | Total Cool Cap. | Comp. Motor Input | Sensible To Total Ratio (S/T) | | |
| | | | | Dry Bulb | | | | | Dry Bulb | | | | | Dry Bulb | | | | | Dry Bulb | | |
| cfm | kBtuh | kW | 75°F | 80°F | 85°F | kBtuh | kW | 75°F | 80°F | 85°F | kBtuh | kW | 75°F | 80°F | 85°F | kBtuh | kW | 75°F | 80°F | 85°F | |
| 63°F | 3200 | 67.0 | 2.60 | 0.7 | 0.82 | 0.94 | 63.8 | 3.06 | 0.71 | 0.84 | 0.96 | 60.4 | 3.57 | 0.73 | 0.86 | 0.98 | 56.7 | 4.14 | 0.75 | 0.89 | 1 |
| | 4000 | 71.0 | 2.57 | 0.74 | 0.88 | 1 | 67.5 | 3.03 | 0.75 | 0.9 | 1 | 63.8 | 3.54 | 0.77 | 0.92 | 1 | 59.8 | 4.12 | 0.8 | 0.96 | 1 |
| | 4800 | 73.9 | 2.54 | 0.78 | 0.93 | 1 | 70.2 | 3.01 | 0.8 | 0.96 | 1 | 66.3 | 3.53 | 0.82 | 0.98 | 1 | 62.2 | 4.10 | 0.85 | 1 | 1 |
| 67°F | 3200 | 71.4 | 2.56 | 0.56 | 0.67 | 0.78 | 68.1 | 3.02 | 0.57 | 0.69 | 0.8 | 64.5 | 3.54 | 0.58 | 0.7 | 0.82 | 60.7 | 4.11 | 0.59 | 0.72 | 0.85 |
| | 4000 | 75.6 | 2.53 | 0.58 | 0.71 | 0.84 | 72.0 | 3.00 | 0.59 | 0.73 | 0.86 | 68.2 | 3.51 | 0.6 | 0.75 | 0.89 | 64.0 | 4.09 | 0.62 | 0.77 | 0.92 |
| | 4800 | 78.7 | 2.50 | 0.61 | 0.75 | 0.89 | 74.9 | 2.97 | 0.62 | 0.77 | 0.92 | 70.8 | 3.49 | 0.63 | 0.79 | 0.95 | 66.4 | 4.07 | 0.65 | 0.82 | 0.98 |
| 71°F | 3200 | 75.5 | 2.53 | 0.44 | 0.54 | 0.65 | 72.1 | 2.99 | 0.44 | 0.55 | 0.66 | 68.5 | 3.51 | 0.44 | 0.56 | 0.67 | 64.5 | 4.08 | 0.44 | 0.57 | 0.69 |
| | 4000 | 79.9 | 2.49 | 0.44 | 0.57 | 0.69 | 76.4 | 2.96 | 0.44 | 0.57 | 0.7 | 72.4 | 3.48 | 0.45 | 0.59 | 0.72 | 68.0 | 4.06 | 0.45 | 0.6 | 0.74 |
| | 4800 | 83.3 | 2.46 | 0.46 | 0.59 | 0.73 | 79.6 | 2.93 | 0.45 | 0.6 | 0.74 | 75.2 | 3.46 | 0.46 | 0.62 | 0.77 | 70.7 | 4.04 | 0.47 | 0.63 | 0.79 |

EL180XCSD + EL180XASD - 2 COMPRESSORS - PART LOAD / PART LOAD

| Entering Wet Bulb Temperature | Total Air Volume | Outdoor Air Temperature Entering Outdoor Coil | | | | | | | | | | | | | | | | | | | |
|-------------------------------|------------------|---|-------------------|-------------------------------|------|-------|-----------------|-------------------|-------------------------------|------|-------|-----------------|-------------------|-------------------------------|------|-------|-----------------|-------------------|-------------------------------|------|------|
| | | 85°F | | | | | 95°F | | | | | 105°F | | | | | 115°F | | | | |
| | | Total Cool Cap. | Comp. Motor Input | Sensible To Total Ratio (S/T) | | | Total Cool Cap. | Comp. Motor Input | Sensible To Total Ratio (S/T) | | | Total Cool Cap. | Comp. Motor Input | Sensible To Total Ratio (S/T) | | | Total Cool Cap. | Comp. Motor Input | Sensible To Total Ratio (S/T) | | |
| | | | | Dry Bulb | | | | | Dry Bulb | | | | | Dry Bulb | | | | | Dry Bulb | | |
| cfm | kBtuh | kW | 75°F | 80°F | 85°F | kBtuh | kW | 75°F | 80°F | 85°F | kBtuh | kW | 75°F | 80°F | 85°F | kBtuh | kW | 75°F | 80°F | 85°F | |
| 63°F | 3600 | 139.0 | 5.38 | 0.71 | 0.84 | 0.96 | 132.8 | 6.31 | 0.73 | 0.86 | 0.98 | 125.8 | 7.37 | 0.74 | 0.88 | 1 | 118.2 | 8.61 | 0.76 | 0.91 | 1 |
| | 4500 | 146.4 | 5.31 | 0.75 | 0.9 | 1 | 139.9 | 6.25 | 0.77 | 0.92 | 1 | 132.5 | 7.32 | 0.79 | 0.95 | 1 | 124.4 | 8.52 | 0.82 | 0.98 | 1 |
| | 5400 | 152.6 | 5.25 | 0.79 | 0.95 | 1 | 145.5 | 6.20 | 0.81 | 0.97 | 1 | 137.9 | 7.25 | 0.84 | 1 | 1 | 130.4 | 8.47 | 0.87 | 1 | 1 |
| 67°F | 3600 | 147.7 | 5.30 | 0.56 | 0.69 | 0.8 | 141.4 | 6.24 | 0.57 | 0.7 | 0.82 | 134.5 | 7.30 | 0.59 | 0.72 | 0.84 | 126.7 | 8.52 | 0.6 | 0.73 | 0.87 |
| | 4500 | 155.0 | 5.21 | 0.59 | 0.73 | 0.86 | 148.9 | 6.15 | 0.6 | 0.75 | 0.88 | 141.4 | 7.23 | 0.61 | 0.76 | 0.91 | 133.2 | 8.43 | 0.63 | 0.79 | 0.94 |
| | 5400 | 160.7 | 5.15 | 0.62 | 0.77 | 0.91 | 154.0 | 6.10 | 0.63 | 0.79 | 0.94 | 146.5 | 7.17 | 0.64 | 0.81 | 0.97 | 137.9 | 8.39 | 0.66 | 0.84 | 1 |
| 71°F | 3600 | 156.0 | 5.19 | 0.42 | 0.55 | 0.66 | 150.6 | 6.14 | 0.43 | 0.55 | 0.67 | 142.8 | 7.22 | 0.44 | 0.57 | 0.69 | 134.8 | 8.41 | 0.45 | 0.58 | 0.71 |
| | 4500 | 162.8 | 5.14 | 0.45 | 0.57 | 0.7 | 157.5 | 6.07 | 0.44 | 0.58 | 0.72 | 150.4 | 7.15 | 0.44 | 0.6 | 0.74 | 141.7 | 8.35 | 0.45 | 0.61 | 0.76 |
| | 5400 | 168.0 | 5.08 | 0.43 | 0.61 | 0.74 | 162.4 | 6.03 | 0.45 | 0.62 | 0.76 | 155.4 | 7.09 | 0.45 | 0.63 | 0.78 | 146.8 | 8.31 | 0.47 | 0.65 | 0.81 |

EL180XCSD + EL180XASD - 2 COMPRESSORS - FULL LOAD

| Entering Wet Bulb Temperature | Total Air Volume | Outdoor Air Temperature Entering Outdoor Coil | | | | | | | | | | | | | | | | | | | |
|-------------------------------|------------------|---|-------------------|-------------------------------|------|-------|-----------------|-------------------|-------------------------------|------|-------|-----------------|-------------------|-------------------------------|------|-------|-----------------|-------------------|-------------------------------|------|------|
| | | 85°F | | | | | 95°F | | | | | 105°F | | | | | 115°F | | | | |
| | | Total Cool Cap. | Comp. Motor Input | Sensible To Total Ratio (S/T) | | | Total Cool Cap. | Comp. Motor Input | Sensible To Total Ratio (S/T) | | | Total Cool Cap. | Comp. Motor Input | Sensible To Total Ratio (S/T) | | | Total Cool Cap. | Comp. Motor Input | Sensible To Total Ratio (S/T) | | |
| | | | | Dry Bulb | | | | | Dry Bulb | | | | | Dry Bulb | | | | | Dry Bulb | | |
| cfm | kBtuh | kW | 75°F | 80°F | 85°F | kBtuh | kW | 75°F | 80°F | 85°F | kBtuh | kW | 75°F | 80°F | 85°F | kBtuh | kW | 75°F | 80°F | 85°F | |
| 63°F | 4800 | 176.4 | 11.18 | 0.72 | 0.85 | 0.97 | 167.3 | 12.56 | 0.73 | 0.87 | 0.99 | 157.6 | 14.14 | 0.75 | 0.89 | 1 | 147.1 | 15.95 | 0.77 | 0.93 | 1 |
| | 6000 | 185.5 | 11.25 | 0.76 | 0.91 | 1 | 175.7 | 12.63 | 0.78 | 0.93 | 1 | 165.1 | 14.19 | 0.8 | 0.96 | 1 | 153.8 | 16.00 | 0.83 | 0.99 | 1 |
| | 7200 | 192.0 | 11.32 | 0.8 | 0.96 | 1 | 181.9 | 12.67 | 0.83 | 0.98 | 1 | 171.4 | 14.26 | 0.85 | 1 | 1 | 160.9 | 16.05 | 0.89 | 1 | 1 |
| 67°F | 4800 | 187.1 | 11.26 | 0.57 | 0.69 | 0.81 | 178.0 | 12.66 | 0.58 | 0.71 | 0.83 | 168.0 | 14.22 | 0.59 | 0.73 | 0.86 | 157.1 | 16.03 | 0.6 | 0.75 | 0.89 |
| | 6000 | 196.7 | 11.35 | 0.6 | 0.74 | 0.87 | 186.8 | 12.73 | 0.61 | 0.76 | 0.9 | 175.8 | 14.29 | 0.62 | 0.78 | 0.93 | 164.0 | 16.09 | 0.64 | 0.81 | 0.96 |
| | 7200 | 203.6 | 11.42 | 0.62 | 0.78 | 0.93 | 193.2 | 12.79 | 0.64 | 0.8 | 0.95 | 181.7 | 14.35 | 0.65 | 0.83 | 0.98 | 168.9 | 16.12 | 0.67 | 0.86 | 1 |
| 71°F | 4800 | 197.7 | 11.36 | 0.43 | 0.55 | 0.67 | 187.9 | 12.73 | 0.45 | 0.57 | 0.68 | 177.9 | 14.31 | 0.45 | 0.57 | 0.7 | 166.6 | 16.11 | 0.45 | 0.59 | 0.72 |
| | 6000 | 207.9 | 11.47 | 0.43 | 0.58 | 0.71 | 197.2 | 12.83 | 0.45 | 0.59 | 0.73 | 186.3 | 14.39 | 0.46 | 0.61 | 0.75 | 174.0 | 16.17 | 0.47 | 0.62 | 0.78 |
| | 7200 | 215.2 | 11.55 | 0.44 | 0.61 | 0.75 | 204.0 | 12.90 | 0.46 | 0.62 | 0.78 | 192.2 | 14.43 | 0.47 | 0.64 | 0.8 | 179.4 | 16.24 | 0.48 | 0.66 | 0.84 |

RATINGS

ONE OUTDOOR UNIT + ONE INDOOR UNIT

NOTE - For Temperatures and Capacities not shown in tables, see bulletin - Cooling Unit Rating Table Correction Factor Data in Miscellaneous Engineering Data section.

EL180XCSD + EL240XASD - 1 COMPRESSOR - PART LOAD

| Entering Wet Bulb Temperature | Total Air Volume | Outdoor Air Temperature Entering Outdoor Coil | | | | | | | | | | | | | | | | | | | | |
|-------------------------------|------------------|---|-------------------|-------------------------------|------|-------|-----------------|-------------------|-------------------------------|------|-------|-----------------|-------------------|-------------------------------|------|-------|-----------------|-------------------|-------------------------------|------|------|--|
| | | 65°F | | | | | | 75°F | | | | | 85°F | | | | | 95°F | | | | |
| | | Total Cool Cap. | Comp. Motor Input | Sensible To Total Ratio (S/T) | | | Total Cool Cap. | Comp. Motor Input | Sensible To Total Ratio (S/T) | | | Total Cool Cap. | Comp. Motor Input | Sensible To Total Ratio (S/T) | | | Total Cool Cap. | Comp. Motor Input | Sensible To Total Ratio (S/T) | | | |
| | | | | Dry Bulb | | | | | Dry Bulb | | | | | Dry Bulb | | | | | Dry Bulb | | | |
| cfm | kBtuh | kW | 75°F | 80°F | 85°F | kBtuh | kW | 75°F | 80°F | 85°F | kBtuh | kW | 75°F | 80°F | 85°F | kBtuh | kW | 75°F | 80°F | 85°F | | |
| 63°F | 3200 | 69.5 | 2.58 | 0.7 | 0.82 | 0.94 | 66.2 | 3.04 | 0.71 | 0.84 | 0.96 | 62.6 | 3.55 | 0.73 | 0.86 | 0.99 | 58.7 | 4.13 | 0.74 | 0.89 | 1 | |
| | 4000 | 73.8 | 2.55 | 0.74 | 0.88 | 1 | 70.0 | 3.01 | 0.76 | 0.9 | 1 | 66.2 | 3.52 | 0.77 | 0.93 | 1 | 62.0 | 4.11 | 0.8 | 0.96 | 1 | |
| | 4800 | 76.6 | 2.52 | 0.78 | 0.94 | 1 | 72.9 | 2.99 | 0.8 | 0.96 | 1 | 68.8 | 3.50 | 0.82 | 0.99 | 1 | 64.9 | 4.08 | 0.85 | 1 | 1 | |
| 67°F | 3200 | 74.5 | 2.54 | 0.56 | 0.67 | 0.78 | 70.9 | 3.00 | 0.57 | 0.68 | 0.8 | 67.1 | 3.52 | 0.57 | 0.7 | 0.82 | 63.2 | 4.09 | 0.58 | 0.72 | 0.85 | |
| | 4000 | 78.9 | 2.50 | 0.58 | 0.71 | 0.84 | 75.0 | 2.97 | 0.59 | 0.73 | 0.86 | 71.0 | 3.49 | 0.6 | 0.75 | 0.89 | 66.6 | 4.07 | 0.61 | 0.77 | 0.92 | |
| | 4800 | 81.9 | 2.48 | 0.61 | 0.75 | 0.9 | 78.0 | 2.95 | 0.62 | 0.77 | 0.93 | 73.6 | 3.47 | 0.63 | 0.8 | 0.96 | 69.0 | 4.05 | 0.65 | 0.82 | 0.99 | |
| 71°F | 3200 | 79.2 | 2.50 | 0.43 | 0.54 | 0.65 | 76.0 | 2.96 | 0.43 | 0.54 | 0.66 | 71.7 | 3.48 | 0.44 | 0.56 | 0.67 | 67.7 | 4.06 | 0.44 | 0.57 | 0.69 | |
| | 4000 | 83.7 | 2.46 | 0.44 | 0.56 | 0.68 | 80.1 | 2.93 | 0.44 | 0.57 | 0.7 | 75.7 | 3.45 | 0.45 | 0.58 | 0.72 | 71.2 | 4.04 | 0.45 | 0.6 | 0.74 | |
| | 4800 | 87.1 | 2.43 | 0.45 | 0.59 | 0.73 | 83.2 | 2.90 | 0.45 | 0.6 | 0.74 | 78.7 | 3.43 | 0.46 | 0.62 | 0.77 | 73.7 | 4.01 | 0.47 | 0.63 | 0.8 | |

EL180XCSS + EL240XASD - 2 COMPRESSORS - PART LOAD / PART LOAD

| Entering Wet Bulb Temperature | Total Air Volume | Outdoor Air Temperature Entering Outdoor Coil | | | | | | | | | | | | | | | | | | | | |
|-------------------------------|------------------|---|-------------------|-------------------------------|------|-------|-----------------|-------------------|-------------------------------|------|-------|-----------------|-------------------|-------------------------------|------|-------|-----------------|-------------------|-------------------------------|------|------|--|
| | | 85°F | | | | | | 95°F | | | | | 105°F | | | | | 115°F | | | | |
| | | Total Cool Cap. | Comp. Motor Input | Sensible To Total Ratio (S/T) | | | Total Cool Cap. | Comp. Motor Input | Sensible To Total Ratio (S/T) | | | Total Cool Cap. | Comp. Motor Input | Sensible To Total Ratio (S/T) | | | Total Cool Cap. | Comp. Motor Input | Sensible To Total Ratio (S/T) | | | |
| | | | | Dry Bulb | | | | | Dry Bulb | | | | | Dry Bulb | | | | | Dry Bulb | | | |
| cfm | kBtuh | kW | 75°F | 80°F | 85°F | kBtuh | kW | 75°F | 80°F | 85°F | kBtuh | kW | 75°F | 80°F | 85°F | kBtuh | kW | 75°F | 80°F | 85°F | | |
| 63°F | 3600 | 145.2 | 5.32 | 0.71 | 0.84 | 0.96 | 138.5 | 6.27 | 0.73 | 0.86 | 0.99 | 131.4 | 7.34 | 0.74 | 0.88 | 1 | 123.4 | 8.54 | 0.76 | 0.92 | 1 | |
| | 4500 | 153.4 | 5.23 | 0.76 | 0.9 | 1 | 146.3 | 6.19 | 0.78 | 0.93 | 1 | 138.4 | 7.26 | 0.8 | 0.96 | 1 | 129.9 | 8.48 | 0.82 | 0.99 | 1 | |
| | 5400 | 159.4 | 5.17 | 0.8 | 0.96 | 1 | 151.9 | 6.13 | 0.82 | 0.99 | 1 | 144.3 | 7.20 | 0.85 | 1 | 1 | 136.9 | 8.42 | 0.88 | 1 | 1 | |
| 67°F | 3600 | 154.6 | 5.22 | 0.56 | 0.68 | 0.8 | 148.2 | 6.17 | 0.57 | 0.7 | 0.82 | 141.1 | 7.25 | 0.59 | 0.72 | 0.84 | 132.9 | 8.45 | 0.6 | 0.74 | 0.87 | |
| | 4500 | 163.1 | 5.14 | 0.59 | 0.73 | 0.86 | 156.1 | 6.09 | 0.61 | 0.75 | 0.89 | 148.3 | 7.17 | 0.61 | 0.77 | 0.92 | 139.5 | 8.38 | 0.63 | 0.8 | 0.95 | |
| | 5400 | 169.0 | 5.07 | 0.61 | 0.77 | 0.92 | 161.5 | 6.05 | 0.63 | 0.79 | 0.95 | 153.0 | 7.10 | 0.64 | 0.82 | 0.98 | 144.0 | 8.32 | 0.66 | 0.85 | 1 | |
| 71°F | 3600 | 164.3 | 5.12 | 0.44 | 0.56 | 0.66 | 158.0 | 6.07 | 0.44 | 0.55 | 0.67 | 150.1 | 7.14 | 0.44 | 0.57 | 0.69 | 142.0 | 8.36 | 0.45 | 0.58 | 0.71 | |
| | 4500 | 171.4 | 5.05 | 0.42 | 0.58 | 0.71 | 165.3 | 6.01 | 0.43 | 0.59 | 0.72 | 158.1 | 7.08 | 0.45 | 0.6 | 0.74 | 148.9 | 8.28 | 0.46 | 0.61 | 0.77 | |
| | 5400 | 176.4 | 4.99 | 0.42 | 0.59 | 0.75 | 170.4 | 5.95 | 0.45 | 0.61 | 0.77 | 162.8 | 7.02 | 0.45 | 0.63 | 0.79 | 153.7 | 8.24 | 0.47 | 0.65 | 0.82 | |

EL180XCSS + EL240XASD - 2 COMPRESSORS - FULL LOAD

| Entering Wet Bulb Temperature | Total Air Volume | Outdoor Air Temperature Entering Outdoor Coil | | | | | | | | | | | | | | | | | | | | |
|-------------------------------|------------------|---|-------------------|-------------------------------|------|-------|-----------------|-------------------|-------------------------------|------|-------|-----------------|-------------------|-------------------------------|------|-------|-----------------|-------------------|-------------------------------|------|------|--|
| | | 85°F | | | | | | 95°F | | | | | 105°F | | | | | 115°F | | | | |
| | | Total Cool Cap. | Comp. Motor Input | Sensible To Total Ratio (S/T) | | | Total Cool Cap. | Comp. Motor Input | Sensible To Total Ratio (S/T) | | | Total Cool Cap. | Comp. Motor Input | Sensible To Total Ratio (S/T) | | | Total Cool Cap. | Comp. Motor Input | Sensible To Total Ratio (S/T) | | | |
| | | | | Dry Bulb | | | | | Dry Bulb | | | | | Dry Bulb | | | | | Dry Bulb | | | |
| cfm | kBtuh | kW | 75°F | 80°F | 85°F | kBtuh | kW | 75°F | 80°F | 85°F | kBtuh | kW | 75°F | 80°F | 85°F | kBtuh | kW | 75°F | 80°F | 85°F | | |
| 63°F | 4800 | 187.8 | 11.28 | 0.72 | 0.85 | 0.97 | 178.2 | 12.65 | 0.73 | 0.87 | 0.99 | 167.5 | 14.21 | 0.75 | 0.89 | 1 | 156.3 | 15.99 | 0.77 | 0.93 | 1 | |
| | 6000 | 197.2 | 11.36 | 0.76 | 0.91 | 1 | 186.9 | 12.73 | 0.78 | 0.94 | 1 | 175.5 | 14.28 | 0.8 | 0.97 | 1 | 163.7 | 16.06 | 0.83 | 1 | 1 | |
| | 7200 | 204.4 | 11.43 | 0.8 | 0.97 | 1 | 193.5 | 12.79 | 0.83 | 0.99 | 1 | 183.3 | 14.37 | 0.86 | 1 | 1 | 172.4 | 16.16 | 0.89 | 1 | 1 | |
| 67°F | 4800 | 199.6 | 11.38 | 0.57 | 0.69 | 0.81 | 190.0 | 12.76 | 0.58 | 0.7 | 0.83 | 179.1 | 14.32 | 0.58 | 0.72 | 0.86 | 167.5 | 16.11 | 0.6 | 0.75 | 0.89 | |
| | 6000 | 209.8 | 11.49 | 0.59 | 0.73 | 0.87 | 199.5 | 12.85 | 0.61 | 0.76 | 0.9 | 187.6 | 14.41 | 0.62 | 0.78 | 0.93 | 174.6 | 16.15 | 0.64 | 0.8 | 0.97 | |
| | 7200 | 217.2 | 11.56 | 0.62 | 0.78 | 0.93 | 206.1 | 12.92 | 0.64 | 0.81 | 0.97 | 193.9 | 14.48 | 0.65 | 0.84 | 0.99 | 180.2 | 16.23 | 0.67 | 0.87 | 1 | |
| 71°F | 4800 | 212.4 | 11.51 | 0.43 | 0.55 | 0.66 | 201.4 | 12.86 | 0.44 | 0.56 | 0.68 | 190.6 | 14.44 | 0.44 | 0.57 | 0.7 | 178.4 | 16.23 | 0.44 | 0.58 | 0.72 | |
| | 6000 | 222.5 | 11.62 | 0.43 | 0.58 | 0.71 | 211.4 | 12.98 | 0.44 | 0.59 | 0.73 | 199.1 | 14.53 | 0.46 | 0.61 | 0.75 | 186.0 | 16.28 | 0.46 | 0.62 | 0.78 | |
| | 7200 | 230.3 | 11.71 | 0.45 | 0.61 | 0.76 | 218.4 | 13.05 | 0.45 | 0.63 | 0.78 | 205.6 | 14.60 | 0.47 | 0.64 | 0.81 | 192.0 | 16.35 | 0.48 | 0.66 | 0.84 | |

RATINGS

ONE OUTDOOR UNIT + ONE INDOOR UNIT

NOTE - For Temperatures and Capacities not shown in tables, see bulletin - Cooling Unit Rating Table Correction Factor Data in Miscellaneous Engineering Data section.

EL240XCSD + EL240XASD - 1 COMPRESSOR - PART LOAD

| Entering Wet Bulb Temperature | Total Air Volume | Outdoor Air Temperature Entering Outdoor Coil | | | | | | | | | | | | | | | | | | | |
|-------------------------------|------------------|---|-------------------|-------------------------------|------|-------|-----------------|-------------------|-------------------------------|------|-------|-----------------|-------------------|-------------------------------|------|-------|-----------------|-------------------|-------------------------------|------|------|
| | | 65°F | | | | | 75°F | | | | | 85°F | | | | | 95°F | | | | |
| | | Total Cool Cap. | Comp. Motor Input | Sensible To Total Ratio (S/T) | | | Total Cool Cap. | Comp. Motor Input | Sensible To Total Ratio (S/T) | | | Total Cool Cap. | Comp. Motor Input | Sensible To Total Ratio (S/T) | | | Total Cool Cap. | Comp. Motor Input | Sensible To Total Ratio (S/T) | | |
| | | | | Dry Bulb | | | | | Dry Bulb | | | | | Dry Bulb | | | | | Dry Bulb | | |
| cfm | kBtuh | kW | 75°F | 80°F | 85°F | kBtuh | kW | 75°F | 80°F | 85°F | kBtuh | kW | 75°F | 80°F | 85°F | kBtuh | kW | 75°F | 80°F | 85°F | |
| 63°F | 4240 | 85 | 3.41 | 0.72 | 0.84 | 0.96 | 81.5 | 3.97 | 0.72 | 0.86 | 0.98 | 77.4 | 4.59 | 0.74 | 0.88 | 1 | 72.8 | 5.29 | 0.76 | 0.9 | 1 |
| | 5300 | 89.4 | 3.4 | 0.76 | 0.9 | 1 | 85.7 | 3.95 | 0.77 | 0.93 | 1 | 81.4 | 4.58 | 0.79 | 0.95 | 1 | 76.4 | 5.28 | 0.82 | 0.98 | 1 |
| | 6360 | 92.7 | 3.4 | 0.81 | 0.97 | 1 | 88.8 | 3.95 | 0.82 | 0.99 | 1 | 84.4 | 4.57 | 0.84 | 1 | 1 | 80.2 | 5.27 | 0.87 | 1 | 1 |
| 67°F | 4240 | 90.5 | 3.4 | 0.57 | 0.69 | 0.81 | 86.9 | 3.95 | 0.57 | 0.7 | 0.82 | 82.8 | 4.57 | 0.58 | 0.71 | 0.84 | 78.1 | 5.27 | 0.59 | 0.73 | 0.87 |
| | 5300 | 95.2 | 3.39 | 0.6 | 0.73 | 0.87 | 91.4 | 3.94 | 0.6 | 0.75 | 0.89 | 86.8 | 4.56 | 0.61 | 0.76 | 0.92 | 81.9 | 5.26 | 0.63 | 0.79 | 0.94 |
| | 6360 | 98.5 | 3.39 | 0.62 | 0.78 | 0.93 | 94.6 | 3.93 | 0.64 | 0.8 | 0.96 | 89.9 | 4.55 | 0.65 | 0.82 | 0.98 | 84.6 | 5.25 | 0.66 | 0.85 | 1 |
| 71°F | 4240 | 95.7 | 3.39 | 0.43 | 0.55 | 0.66 | 92.3 | 3.94 | 0.44 | 0.57 | 0.67 | 88 | 4.56 | 0.44 | 0.56 | 0.68 | 83.2 | 5.25 | 0.44 | 0.57 | 0.7 |
| | 5300 | 100.7 | 3.39 | 0.45 | 0.58 | 0.71 | 96.9 | 3.93 | 0.45 | 0.59 | 0.72 | 92.3 | 4.55 | 0.45 | 0.6 | 0.74 | 87.4 | 5.24 | 0.46 | 0.61 | 0.76 |
| | 6360 | 103.9 | 3.39 | 0.46 | 0.61 | 0.75 | 100 | 3.92 | 0.46 | 0.62 | 0.78 | 95.5 | 4.54 | 0.47 | 0.64 | 0.79 | 90.1 | 5.24 | 0.47 | 0.65 | 0.82 |

EL240XCSD + EL240XASD - 2 COMPRESSORS - PART LOAD / PART LOAD

| Entering Wet Bulb Temperature | Total Air Volume | Outdoor Air Temperature Entering Outdoor Coil | | | | | | | | | | | | | | | | | | | |
|-------------------------------|------------------|---|-------------------|-------------------------------|------|-------|-----------------|-------------------|-------------------------------|------|-------|-----------------|-------------------|-------------------------------|------|-------|-----------------|-------------------|-------------------------------|------|------|
| | | 85°F | | | | | 95°F | | | | | 105°F | | | | | 115°F | | | | |
| | | Total Cool Cap. | Comp. Motor Input | Sensible To Total Ratio (S/T) | | | Total Cool Cap. | Comp. Motor Input | Sensible To Total Ratio (S/T) | | | Total Cool Cap. | Comp. Motor Input | Sensible To Total Ratio (S/T) | | | Total Cool Cap. | Comp. Motor Input | Sensible To Total Ratio (S/T) | | |
| | | | | Dry Bulb | | | | | Dry Bulb | | | | | Dry Bulb | | | | | Dry Bulb | | |
| cfm | kBtuh | kW | 75°F | 80°F | 85°F | kBtuh | kW | 75°F | 80°F | 85°F | kBtuh | kW | 75°F | 80°F | 85°F | kBtuh | kW | 75°F | 80°F | 85°F | |
| 63°F | 4800 | 177 | 6.82 | 0.73 | 0.87 | 1 | 170 | 7.93 | 0.75 | 0.89 | 1 | 161.4 | 9.18 | 0.77 | 0.92 | 1 | 151.9 | 10.58 | 0.79 | 0.95 | 1 |
| | 6000 | 185.6 | 6.81 | 0.78 | 0.94 | 1 | 178.1 | 7.91 | 0.81 | 0.97 | 1 | 169.1 | 9.15 | 0.83 | 0.99 | 1 | 159.7 | 10.56 | 0.85 | 1 | 1 |
| | 7200 | 191.9 | 6.79 | 0.84 | 1 | 1 | 184.9 | 7.89 | 0.86 | 1 | 1 | 177.1 | 9.13 | 0.88 | 1 | 1 | 168.5 | 10.53 | 0.91 | 1 | 1 |
| 67°F | 4800 | 188.4 | 6.8 | 0.58 | 0.71 | 0.84 | 181.4 | 7.9 | 0.59 | 0.72 | 0.85 | 172.7 | 9.14 | 0.6 | 0.74 | 0.88 | 162.6 | 10.54 | 0.61 | 0.76 | 0.91 |
| | 6000 | 197 | 6.79 | 0.61 | 0.76 | 0.91 | 189.7 | 7.88 | 0.62 | 0.78 | 0.93 | 180.5 | 9.12 | 0.64 | 0.8 | 0.96 | 169.8 | 10.52 | 0.65 | 0.83 | 0.99 |
| | 7200 | 203.4 | 6.79 | 0.64 | 0.82 | 0.98 | 195.3 | 7.87 | 0.65 | 0.83 | 0.99 | 185.4 | 9.11 | 0.66 | 0.85 | 1 | 174.6 | 10.5 | 0.69 | 0.89 | 1 |
| 71°F | 4800 | 199.4 | 6.79 | 0.43 | 0.56 | 0.68 | 192 | 7.88 | 0.44 | 0.57 | 0.69 | 183.5 | 9.11 | 0.45 | 0.59 | 0.71 | 173.3 | 10.51 | 0.45 | 0.59 | 0.73 |
| | 6000 | 209 | 6.78 | 0.44 | 0.6 | 0.74 | 200.9 | 7.86 | 0.46 | 0.61 | 0.75 | 191.1 | 9.09 | 0.46 | 0.62 | 0.78 | 180.7 | 10.49 | 0.47 | 0.64 | 0.8 |
| | 7200 | 215.1 | 6.78 | 0.46 | 0.63 | 0.8 | 207 | 7.86 | 0.45 | 0.64 | 0.81 | 196.8 | 9.08 | 0.47 | 0.65 | 0.83 | 186.1 | 10.48 | 0.48 | 0.68 | 0.86 |

EL240XCSD + EL240XASD - 2 COMPRESSORS - FULL LOAD

| Entering Wet Bulb Temperature | Total Air Volume | Outdoor Air Temperature Entering Outdoor Coil | | | | | | | | | | | | | | | | | | | |
|-------------------------------|------------------|---|-------------------|-------------------------------|------|-------|-----------------|-------------------|-------------------------------|------|-------|-----------------|-------------------|-------------------------------|------|-------|-----------------|-------------------|-------------------------------|------|------|
| | | 85°F | | | | | 95°F | | | | | 105°F | | | | | 115°F | | | | |
| | | Total Cool Cap. | Comp. Motor Input | Sensible To Total Ratio (S/T) | | | Total Cool Cap. | Comp. Motor Input | Sensible To Total Ratio (S/T) | | | Total Cool Cap. | Comp. Motor Input | Sensible To Total Ratio (S/T) | | | Total Cool Cap. | Comp. Motor Input | Sensible To Total Ratio (S/T) | | |
| | | | | Dry Bulb | | | | | Dry Bulb | | | | | Dry Bulb | | | | | Dry Bulb | | |
| cfm | kBtuh | kW | 75°F | 80°F | 85°F | kBtuh | kW | 75°F | 80°F | 85°F | kBtuh | kW | 75°F | 80°F | 85°F | kBtuh | kW | 75°F | 80°F | 85°F | |
| 63°F | 6400 | 235 | 14.42 | 0.73 | 0.86 | 0.99 | 224.3 | 15.98 | 0.74 | 0.89 | 1 | 212.6 | 17.75 | 0.76 | 0.91 | 1 | 199.9 | 19.74 | 0.78 | 0.94 | 1 |
| | 8000 | 246 | 14.6 | 0.78 | 0.93 | 1 | 234.1 | 16.14 | 0.8 | 0.96 | 1 | 221.9 | 17.91 | 0.82 | 0.98 | 1 | 208.4 | 19.88 | 0.85 | 1 | 1 |
| | 9600 | 254.1 | 14.74 | 0.83 | 0.99 | 1 | 241.9 | 16.26 | 0.85 | 1 | 1 | 230.2 | 18.04 | 0.87 | 1 | 1 | 218 | 20.06 | 0.9 | 1 | 1 |
| 67°F | 6400 | 249.6 | 14.66 | 0.58 | 0.71 | 0.83 | 238.2 | 16.21 | 0.59 | 0.72 | 0.85 | 225.8 | 17.98 | 0.6 | 0.74 | 0.87 | 212.9 | 19.97 | 0.61 | 0.76 | 0.9 |
| | 8000 | 260.8 | 14.85 | 0.6 | 0.75 | 0.9 | 248.7 | 16.38 | 0.62 | 0.78 | 0.92 | 235 | 18.13 | 0.63 | 0.8 | 0.95 | 221 | 20.11 | 0.65 | 0.82 | 0.98 |
| | 9600 | 268.3 | 14.98 | 0.63 | 0.8 | 0.96 | 255.7 | 16.49 | 0.65 | 0.83 | 0.99 | 242.1 | 18.23 | 0.67 | 0.85 | 1 | 226.8 | 20.2 | 0.68 | 0.88 | 1 |
| 71°F | 6400 | 263.7 | 14.9 | 0.43 | 0.56 | 0.68 | 251.2 | 16.42 | 0.43 | 0.57 | 0.7 | 238.5 | 18.18 | 0.45 | 0.58 | 0.71 | 225.1 | 20.17 | 0.45 | 0.59 | 0.73 |
| | 8000 | 274.8 | 15.08 | 0.43 | 0.59 | 0.73 | 262.8 | 16.61 | 0.44 | 0.6 | 0.75 | 248.1 | 18.34 | 0.46 | 0.62 | 0.77 | 234.1 | 20.32 | 0.47 | 0.64 | 0.8 |
| | 9600 | 283.6 | 15.23 | 0.44 | 0.62 | 0.79 | 270 | 16.73 | 0.46 | 0.64 | 0.8 | 255.8 | 18.46 | 0.47 | 0.66 | 0.83 | 240.3 | 20.42 | 0.47 | 0.67 | 0.86 |

RATINGS

ONE OUTDOOR UNIT + TWO INDOOR UNITS

NOTE - For Temperatures and Capacities not shown in tables, see bulletin - Cooling Unit Rating Table Correction Factor Data in Miscellaneous Engineering Data section.

EL180XCSD - (2) EL090XASD - 1 COMPRESSOR - PART LOAD

| Entering Wet Bulb Temperature | Total Air Volume | Outdoor Air Temperature Entering Outdoor Coil | | | | | | | | | | | | | | | | | | | |
|-------------------------------|------------------|---|-------------------|-------------------------------|------|-------|-----------------|-------------------|-------------------------------|------|-------|-----------------|-------------------|-------------------------------|------|-------|-----------------|-------------------|-------------------------------|------|------|
| | | 65°F | | | | | 75°F | | | | | 85°F | | | | | 95°F | | | | |
| | | Total Cool Cap. | Comp. Motor Input | Sensible To Total Ratio (S/T) | | | Total Cool Cap. | Comp. Motor Input | Sensible To Total Ratio (S/T) | | | Total Cool Cap. | Comp. Motor Input | Sensible To Total Ratio (S/T) | | | Total Cool Cap. | Comp. Motor Input | Sensible To Total Ratio (S/T) | | |
| | | | | Dry Bulb | | | | | Dry Bulb | | | | | Dry Bulb | | | | | Dry Bulb | | |
| cfm | kBtuh | kW | 75°F | 80°F | 85°F | kBtuh | kW | 75°F | 80°F | 85°F | kBtuh | kW | 75°F | 80°F | 85°F | kBtuh | kW | 75°F | 80°F | 85°F | |
| 63°F | 3200 | 68.2 | 2.62 | .74 | .86 | .97 | 65.1 | 3.09 | .75 | .88 | 1.00 | 61.9 | 3.61 | .77 | .90 | 1.00 | 57.8 | 4.19 | .79 | .93 | 1.00 |
| | 4000 | 72.4 | 2.59 | .78 | .92 | 1.00 | 68.9 | 3.06 | .81 | .95 | 1.00 | 64.9 | 3.58 | .83 | .98 | 1.00 | 61.1 | 4.17 | .86 | 1.00 | 1.00 |
| | 4800 | 75.6 | 2.56 | .84 | .99 | 1.00 | 71.9 | 3.03 | .86 | 1.00 | 1.00 | 67.8 | 3.56 | .89 | 1.00 | 1.00 | 64.2 | 4.14 | .92 | 1.00 | 1.00 |
| 67°F | 3200 | 73.2 | 2.58 | .60 | .71 | .82 | 69.9 | 3.05 | .61 | .72 | .84 | 66.1 | 3.57 | .62 | .74 | .87 | 62.3 | 4.16 | .64 | .77 | .90 |
| | 4000 | 77.5 | 2.54 | .63 | .76 | .89 | 74.0 | 3.02 | .65 | .78 | .92 | 69.6 | 3.55 | .66 | .81 | .95 | 65.7 | 4.13 | .68 | .83 | .98 |
| | 4800 | 80.5 | 2.52 | .67 | .82 | .96 | 76.2 | 3.00 | .68 | .84 | .99 | 72.6 | 3.53 | .70 | .86 | 1.00 | 68.0 | 4.11 | .72 | .90 | 1.00 |
| 71°F | 3200 | 78.0 | 2.54 | .48 | .58 | .69 | 74.2 | 3.01 | .48 | .59 | .70 | 70.5 | 3.54 | .49 | .61 | .72 | 66.5 | 4.12 | .50 | .62 | .74 |
| | 4000 | 81.8 | 2.50 | .50 | .61 | .74 | 78.3 | 2.98 | .50 | .63 | .76 | 74.3 | 3.51 | .51 | .65 | .78 | 70.0 | 4.10 | .52 | .67 | .81 |
| | 4800 | 84.7 | 2.47 | .52 | .66 | .80 | 81.4 | 2.95 | .53 | .67 | .82 | 77.2 | 3.49 | .54 | .69 | .84 | 72.6 | 4.07 | .55 | .71 | .88 |

EL180XCSD - (2) EL090XASD - 2 COMPRESSORS - PART LOAD / PART LOAD

| Entering Wet Bulb Temperature | Total Air Volume | Outdoor Air Temperature Entering Outdoor Coil | | | | | | | | | | | | | | | | | | | |
|-------------------------------|------------------|---|-------------------|-------------------------------|------|-------|-----------------|-------------------|-------------------------------|------|-------|-----------------|-------------------|-------------------------------|------|-------|-----------------|-------------------|-------------------------------|------|------|
| | | 85°F | | | | | 95°F | | | | | 105°F | | | | | 115°F | | | | |
| | | Total Cool Cap. | Comp. Motor Input | Sensible To Total Ratio (S/T) | | | Total Cool Cap. | Comp. Motor Input | Sensible To Total Ratio (S/T) | | | Total Cool Cap. | Comp. Motor Input | Sensible To Total Ratio (S/T) | | | Total Cool Cap. | Comp. Motor Input | Sensible To Total Ratio (S/T) | | |
| | | | | Dry Bulb | | | | | Dry Bulb | | | | | Dry Bulb | | | | | Dry Bulb | | |
| cfm | kBtuh | kW | 75°F | 80°F | 85°F | kBtuh | kW | 75°F | 80°F | 85°F | kBtuh | kW | 75°F | 80°F | 85°F | kBtuh | kW | 75°F | 80°F | 85°F | |
| 63°F | 3600 | 140.9 | 5.21 | .76 | .89 | 1.00 | 134.4 | 6.14 | .78 | .91 | 1.00 | 126.8 | 7.19 | .80 | .94 | 1.00 | 118.9 | 8.36 | .82 | .98 | 1.00 |
| | 4500 | 148.8 | 5.14 | .81 | .97 | 1.00 | 141.7 | 6.08 | .84 | .99 | 1.00 | 133.6 | 7.14 | .87 | 1.00 | 1.00 | 125.7 | 8.31 | .90 | 1.00 | 1.00 |
| | 5400 | 154.9 | 5.09 | .88 | 1.00 | 1.00 | 147.1 | 6.04 | .91 | 1.00 | 1.00 | 140.4 | 7.09 | .94 | 1.00 | 1.00 | 132.8 | 8.25 | .97 | 1.00 | 1.00 |
| 67°F | 3600 | 150.9 | 5.12 | .62 | .74 | .86 | 144.2 | 6.06 | .63 | .75 | .88 | 136.0 | 7.12 | .64 | .78 | .91 | 128.6 | 8.28 | .66 | .80 | .94 |
| | 4500 | 158.8 | 5.05 | .66 | .80 | .93 | 150.6 | 6.01 | .67 | .82 | .96 | 143.2 | 7.06 | .69 | .84 | 1.00 | 134.7 | 8.24 | .71 | .87 | 1.00 |
| | 5400 | 164.4 | 4.99 | .70 | .85 | 1.00 | 156.0 | 5.96 | .71 | .89 | 1.00 | 147.9 | 7.02 | .73 | .91 | 1.00 | 138.3 | 8.21 | .76 | .95 | 1.00 |
| 71°F | 3600 | 160.6 | 5.03 | .48 | .60 | .71 | 152.7 | 5.99 | .49 | .61 | .73 | 145.7 | 7.04 | .50 | .63 | .75 | 136.8 | 8.22 | .51 | .64 | .77 |
| | 4500 | 167.6 | 4.96 | .51 | .65 | .78 | 160.7 | 5.92 | .52 | .66 | .80 | 152.5 | 6.98 | .53 | .68 | .82 | 143.2 | 8.16 | .54 | .70 | .85 |
| | 5400 | 172.8 | 4.91 | .54 | .69 | .84 | 165.8 | 5.87 | .55 | .71 | .87 | 157.5 | 6.94 | .56 | .72 | .89 | 148.0 | 8.11 | .57 | .75 | .93 |

EL180XCSD - (2) EL090XASD - 2 COMPRESSORS - FULL LOAD

| Entering Wet Bulb Temperature | Total Air Volume | Outdoor Air Temperature Entering Outdoor Coil | | | | | | | | | | | | | | | | | | | |
|-------------------------------|------------------|---|-------------------|-------------------------------|------|-------|-----------------|-------------------|-------------------------------|------|-------|-----------------|-------------------|-------------------------------|------|-------|-----------------|-------------------|-------------------------------|------|------|
| | | 85°F | | | | | 95°F | | | | | 105°F | | | | | 115°F | | | | |
| | | Total Cool Cap. | Comp. Motor Input | Sensible To Total Ratio (S/T) | | | Total Cool Cap. | Comp. Motor Input | Sensible To Total Ratio (S/T) | | | Total Cool Cap. | Comp. Motor Input | Sensible To Total Ratio (S/T) | | | Total Cool Cap. | Comp. Motor Input | Sensible To Total Ratio (S/T) | | |
| | | | | Dry Bulb | | | | | Dry Bulb | | | | | Dry Bulb | | | | | Dry Bulb | | |
| cfm | kBtuh | kW | 75°F | 80°F | 85°F | kBtuh | kW | 75°F | 80°F | 85°F | kBtuh | kW | 75°F | 80°F | 85°F | kBtuh | kW | 75°F | 80°F | 85°F | |
| 63°F | 4800 | 180.1 | 11.31 | .77 | .90 | 1.00 | 171.3 | 12.66 | .79 | .93 | 1.00 | 160.1 | 14.17 | .81 | .96 | 1.00 | 150.5 | 15.89 | .84 | .99 | 1.00 |
| | 6000 | 190.2 | 11.43 | .83 | .98 | 1.00 | 179.7 | 12.75 | .85 | 1.00 | 1.00 | 168.8 | 14.24 | .88 | 1.00 | 1.00 | 157.9 | 15.96 | .92 | 1.00 | 1.00 |
| | 7200 | 196.6 | 11.49 | .89 | 1.00 | 1.00 | 186.0 | 12.83 | .92 | 1.00 | 1.00 | 176.5 | 14.33 | .95 | 1.00 | 1.00 | 165.5 | 16.05 | .99 | 1.00 | 1.00 |
| 67°F | 4800 | 192.1 | 11.44 | .62 | .75 | .87 | 182.0 | 12.78 | .63 | .77 | .89 | 171.8 | 14.28 | .65 | .79 | .93 | 161.0 | 15.99 | .67 | .81 | .96 |
| | 6000 | 202.0 | 11.56 | .66 | .81 | .95 | 191.3 | 12.88 | .68 | .83 | .98 | 178.2 | 14.35 | .70 | .86 | 1.00 | 166.5 | 16.06 | .72 | .90 | 1.00 |
| | 7200 | 208.0 | 11.62 | .71 | .87 | 1.00 | 196.5 | 12.94 | .72 | .90 | 1.00 | 184.1 | 14.42 | .74 | .94 | 1.00 | 171.9 | 16.11 | .78 | .97 | 1.00 |
| 71°F | 4800 | 204.1 | 11.58 | .49 | .61 | .72 | 193.2 | 12.91 | .50 | .63 | .74 | 182.2 | 14.40 | .51 | .64 | .77 | 170.8 | 16.10 | .52 | .66 | .79 |
| | 6000 | 214.0 | 11.69 | .52 | .65 | .79 | 202.8 | 13.02 | .53 | .67 | .81 | 190.7 | 14.50 | .54 | .69 | .84 | 177.9 | 16.17 | .55 | .72 | .88 |
| | 7200 | 220.5 | 11.78 | .54 | .70 | .85 | 208.7 | 13.09 | .56 | .72 | .88 | 196.3 | 14.56 | .57 | .74 | .92 | 183.3 | 16.23 | .59 | .77 | .96 |

RATINGS

ONE OUTDOOR UNIT + TWO INDOOR UNITS

NOTE - For Temperatures and Capacities not shown in tables, see bulletin - Cooling Unit Rating Table Correction Factor Data in Miscellaneous Engineering Data section.

EL240XCSD - (2) EL120XASD - 1 COMPRESSOR - PART LOAD

| Entering Wet Bulb Temperature | Total Air Volume | Outdoor Air Temperature Entering Outdoor Coil | | | | | | | | | | | | | | | | | | | |
|-------------------------------|------------------|---|-------------------|-------------------------------|------|-------|-----------------|-------------------|-------------------------------|------|-------|-----------------|-------------------|-------------------------------|------|-------|-----------------|-------------------|-------------------------------|------|------|
| | | 65°F | | | | | 75°F | | | | | 85°F | | | | | 95°F | | | | |
| | | Total Cool Cap. | Comp. Motor Input | Sensible To Total Ratio (S/T) | | | Total Cool Cap. | Comp. Motor Input | Sensible To Total Ratio (S/T) | | | Total Cool Cap. | Comp. Motor Input | Sensible To Total Ratio (S/T) | | | Total Cool Cap. | Comp. Motor Input | Sensible To Total Ratio (S/T) | | |
| | | | | Dry Bulb | | | | | Dry Bulb | | | | | Dry Bulb | | | | | Dry Bulb | | |
| cfm | kBtuh | kW | 75°F | 80°F | 85°F | kBtuh | kW | 75°F | 80°F | 85°F | kBtuh | kW | 75°F | 80°F | 85°F | kBtuh | kW | 75°F | 80°F | 85°F | |
| 63°F | 4240 | 85.1 | 3.44 | .76 | .88 | 1.00 | 81.9 | 4.00 | .77 | .90 | 1.00 | 77.5 | 4.64 | .78 | .92 | 1.00 | 73.2 | 5.35 | .80 | .95 | 1.00 |
| | 5300 | 89.8 | 3.43 | .81 | .95 | 1.00 | 85.9 | 3.99 | .83 | .98 | 1.00 | 82.0 | 4.63 | .84 | 1.00 | 1.00 | 77.5 | 5.34 | .87 | 1.00 | 1.00 |
| | 6360 | 93.1 | 3.42 | .87 | 1.00 | 1.00 | 89.5 | 3.98 | .88 | 1.00 | 1.00 | 85.5 | 4.62 | .92 | 1.00 | 1.00 | 81.1 | 5.32 | .94 | 1.00 | 1.00 |
| 67°F | 4240 | 90.6 | 3.42 | .61 | .73 | .85 | 87.1 | 3.99 | .62 | .74 | .86 | 83.2 | 4.62 | .63 | .76 | .89 | 78.7 | 5.33 | .64 | .78 | .91 |
| | 5300 | 94.7 | 3.42 | .65 | .79 | .93 | 91.5 | 3.98 | .66 | .81 | .95 | 87.5 | 4.61 | .67 | .83 | .97 | 82.6 | 5.32 | .69 | .85 | 1.00 |
| | 6360 | 98.0 | 3.41 | .69 | .85 | 1.00 | 94.4 | 3.97 | .70 | .87 | 1.00 | 90.3 | 4.60 | .72 | .89 | 1.00 | 84.9 | 5.31 | .74 | .92 | 1.00 |
| 71°F | 4240 | 95.9 | 3.42 | .48 | .60 | .71 | 92.4 | 3.97 | .49 | .60 | .72 | 88.6 | 4.61 | .49 | .62 | .74 | 83.9 | 5.31 | .50 | .63 | .76 |
| | 5300 | 100.2 | 3.41 | .50 | .64 | .77 | 96.9 | 3.96 | .51 | .65 | .79 | 92.8 | 4.60 | .52 | .66 | .80 | 87.9 | 5.30 | .53 | .68 | .83 |
| | 6360 | 103.6 | 3.41 | .54 | .69 | .83 | 100.1 | 3.96 | .54 | .70 | .85 | 96.0 | 4.59 | .56 | .71 | .88 | 90.3 | 5.29 | .56 | .73 | .90 |

EL240XCSD - (2) EL120XASD - 2 COMPRESSORS - PART LOAD / PART LOAD

| Entering Wet Bulb Temperature | Total Air Volume | Outdoor Air Temperature Entering Outdoor Coil | | | | | | | | | | | | | | | | | | | |
|-------------------------------|------------------|---|-------------------|-------------------------------|------|-------|-----------------|-------------------|-------------------------------|------|-------|-----------------|-------------------|-------------------------------|------|-------|-----------------|-------------------|-------------------------------|------|------|
| | | 85°F | | | | | 95°F | | | | | 105°F | | | | | 115°F | | | | |
| | | Total Cool Cap. | Comp. Motor Input | Sensible To Total Ratio (S/T) | | | Total Cool Cap. | Comp. Motor Input | Sensible To Total Ratio (S/T) | | | Total Cool Cap. | Comp. Motor Input | Sensible To Total Ratio (S/T) | | | Total Cool Cap. | Comp. Motor Input | Sensible To Total Ratio (S/T) | | |
| | | | | Dry Bulb | | | | | Dry Bulb | | | | | Dry Bulb | | | | | Dry Bulb | | |
| cfm | kBtuh | kW | 75°F | 80°F | 85°F | kBtuh | kW | 75°F | 80°F | 85°F | kBtuh | kW | 75°F | 80°F | 85°F | kBtuh | kW | 75°F | 80°F | 85°F | |
| 63°F | 4800 | 178.1 | 6.88 | .78 | .92 | 1.00 | 171.6 | 8.01 | .80 | .94 | 1.00 | 162.3 | 9.28 | .82 | .97 | 1.00 | 153.0 | 10.72 | .84 | 1.00 | 1.00 |
| | 6000 | 186.6 | 6.86 | .85 | 1.00 | 1.00 | 178.8 | 7.99 | .87 | 1.00 | 1.00 | 170.5 | 9.26 | .89 | 1.00 | 1.00 | 161.9 | 10.67 | .92 | 1.00 | 1.00 |
| | 7200 | 193.4 | 6.85 | .91 | 1.00 | 1.00 | 186.8 | 7.97 | .93 | 1.00 | 1.00 | 179.3 | 9.24 | .96 | 1.00 | 1.00 | 170.4 | 10.64 | .99 | 1.00 | 1.00 |
| 67°F | 4800 | 189.5 | 6.85 | .64 | .77 | .89 | 181.8 | 7.98 | .64 | .78 | .91 | 173.8 | 9.25 | .65 | .79 | .93 | 164.0 | 10.67 | .67 | .82 | .96 |
| | 6000 | 196.7 | 6.84 | .67 | .83 | .97 | 189.7 | 7.96 | .69 | .85 | 1.00 | 181.4 | 9.23 | .70 | .87 | 1.00 | 170.9 | 10.64 | .72 | .90 | 1.00 |
| | 7200 | 202.9 | 6.84 | .72 | .89 | 1.00 | 195.6 | 7.95 | .73 | .91 | 1.00 | 186.4 | 9.22 | .75 | .94 | 1.00 | 175.9 | 10.62 | .78 | .98 | 1.00 |
| 71°F | 4800 | 199.6 | 6.84 | .50 | .62 | .74 | 192.5 | 7.95 | .50 | .63 | .76 | 185.6 | 9.22 | .51 | .64 | .77 | 174.6 | 10.63 | .52 | .66 | .80 |
| | 6000 | 207.9 | 6.84 | .52 | .66 | .81 | 200.9 | 7.94 | .53 | .67 | .83 | 193.1 | 9.20 | .54 | .70 | .85 | 182.7 | 10.60 | .54 | .72 | .88 |
| | 7200 | 213.8 | 6.84 | .55 | .72 | .88 | 206.4 | 7.92 | .56 | .73 | .90 | 198.6 | 9.19 | .55 | .75 | .92 | 187.1 | 10.58 | .58 | .79 | .96 |

EL240XCSD - (2) EL120XASD - 2 COMPRESSORS - FULL LOAD

| Entering Wet Bulb Temperature | Total Air Volume | Outdoor Air Temperature Entering Outdoor Coil | | | | | | | | | | | | | | | | | | | |
|-------------------------------|------------------|---|-------------------|-------------------------------|------|-------|-----------------|-------------------|-------------------------------|------|-------|-----------------|-------------------|-------------------------------|------|-------|-----------------|-------------------|-------------------------------|------|------|
| | | 85°F | | | | | 95°F | | | | | 105°F | | | | | 115°F | | | | |
| | | Total Cool Cap. | Comp. Motor Input | Sensible To Total Ratio (S/T) | | | Total Cool Cap. | Comp. Motor Input | Sensible To Total Ratio (S/T) | | | Total Cool Cap. | Comp. Motor Input | Sensible To Total Ratio (S/T) | | | Total Cool Cap. | Comp. Motor Input | Sensible To Total Ratio (S/T) | | |
| | | | | Dry Bulb | | | | | Dry Bulb | | | | | Dry Bulb | | | | | Dry Bulb | | |
| cfm | kBtuh | kW | 75°F | 80°F | 85°F | kBtuh | kW | 75°F | 80°F | 85°F | kBtuh | kW | 75°F | 80°F | 85°F | kBtuh | kW | 75°F | 80°F | 85°F | |
| 63°F | 6400 | 232.9 | 14.59 | .79 | .92 | 1.00 | 220.4 | 16.11 | .80 | .95 | 1.00 | 210.2 | 17.85 | .82 | .97 | 1.00 | 198.2 | 19.80 | .85 | 1.00 | 1.00 |
| | 8000 | 242.6 | 14.77 | .85 | 1.00 | 1.00 | 230.2 | 16.27 | .87 | 1.00 | 1.00 | 218.3 | 17.99 | .90 | 1.00 | 1.00 | 207.0 | 19.95 | .93 | 1.00 | 1.00 |
| | 9600 | 250.5 | 14.91 | .91 | 1.00 | 1.00 | 240.0 | 16.43 | .94 | 1.00 | 1.00 | 229.3 | 18.17 | .96 | 1.00 | 1.00 | 217.8 | 20.12 | 1.00 | 1.00 | 1.00 |
| 67°F | 6400 | 245.4 | 14.82 | .63 | .76 | .89 | 234.0 | 16.34 | .64 | .78 | .92 | 221.7 | 18.05 | .66 | .80 | .94 | 209.4 | 20.00 | .68 | .83 | .97 |
| | 8000 | 256.1 | 14.98 | .68 | .83 | .98 | 244.3 | 16.51 | .69 | .85 | 1.00 | 230.6 | 18.19 | .71 | .88 | 1.00 | 216.7 | 20.11 | .73 | .91 | 1.00 |
| | 9600 | 263.0 | 15.12 | .72 | .90 | 1.00 | 250.6 | 16.61 | .75 | .92 | 1.00 | 237.1 | 18.30 | .76 | .95 | 1.00 | 223.4 | 20.21 | .79 | .99 | 1.00 |
| 71°F | 6400 | 258.6 | 15.05 | .49 | .62 | .74 | 249.3 | 16.58 | .50 | .63 | .76 | 234.9 | 18.26 | .51 | .65 | .78 | 222.3 | 20.19 | .53 | .67 | .81 |
| | 8000 | 270.6 | 15.26 | .52 | .67 | .82 | 258.5 | 16.74 | .53 | .69 | .84 | 245.6 | 18.42 | .54 | .71 | .86 | 229.8 | 20.31 | .55 | .73 | .89 |
| | 9600 | 278.1 | 15.38 | .55 | .72 | .88 | 264.5 | 16.82 | .56 | .73 | .91 | 250.9 | 18.51 | .58 | .76 | .94 | 235.9 | 20.40 | .59 | .78 | .98 |

RATINGS

TWO OUTDOOR UNITS + ONE INDOOR UNIT

NOTE - For Temperatures and Capacities not shown in tables, see bulletin - Cooling Unit Rating Table Correction Factor Data in Miscellaneous Engineering Data section.

(2) EL090XCSS + EL180XASD - 2 COMPRESSOR - PART LOAD (1 Per Unit at Low Stage)

| Entering Wet Bulb Temperature | Total Air Volume | Outdoor Air Temperature Entering Outdoor Coil | | | | | | | | | | | | | | | | | | | |
|-------------------------------|------------------|---|-------------------|-------------------------------|------|-------|-----------------|-------------------|-------------------------------|------|-------|-----------------|-------------------|-------------------------------|------|-------|-----------------|-------------------|-------------------------------|------|------|
| | | 65°F | | | | | 75°F | | | | | 85°F | | | | | 95°F | | | | |
| | | Total Cool Cap. | Comp. Motor Input | Sensible To Total Ratio (S/T) | | | Total Cool Cap. | Comp. Motor Input | Sensible To Total Ratio (S/T) | | | Total Cool Cap. | Comp. Motor Input | Sensible To Total Ratio (S/T) | | | Total Cool Cap. | Comp. Motor Input | Sensible To Total Ratio (S/T) | | |
| | | | | Dry Bulb | | | | | Dry Bulb | | | | | Dry Bulb | | | | | Dry Bulb | | |
| cfm | kBtuh | kW | 75°F | 80°F | 85°F | kBtuh | kW | 75°F | 80°F | 85°F | kBtuh | kW | 75°F | 80°F | 85°F | kBtuh | kW | 75°F | 80°F | 85°F | |
| 63°F | 3200 | 129 | 5.57 | 0.7 | 0.82 | 0.94 | 124.1 | 6.51 | 0.71 | 0.83 | 0.96 | 118.8 | 7.56 | 0.72 | 0.85 | 0.97 | 112.9 | 8.72 | 0.74 | 0.87 | 0.99 |
| | 4000 | 136.3 | 5.55 | 0.74 | 0.88 | 1 | 131 | 6.49 | 0.75 | 0.9 | 1 | 124.9 | 7.54 | 0.77 | 0.92 | 1 | 118.5 | 8.7 | 0.79 | 0.94 | 1 |
| | 4800 | 141.8 | 5.54 | 0.78 | 0.93 | 1 | 136 | 6.48 | 0.79 | 0.95 | 1 | 129.7 | 7.53 | 0.81 | 0.97 | 1 | 123 | 8.69 | 0.83 | 0.99 | 1 |
| 67°F | 3200 | 136.9 | 5.55 | 0.56 | 0.68 | 0.79 | 131.8 | 6.49 | 0.56 | 0.69 | 0.8 | 126 | 7.53 | 0.57 | 0.7 | 0.82 | 119.8 | 8.7 | 0.58 | 0.71 | 0.84 |
| | 4000 | 144.7 | 5.53 | 0.58 | 0.72 | 0.84 | 138.9 | 6.47 | 0.59 | 0.73 | 0.86 | 132.6 | 7.52 | 0.59 | 0.74 | 0.88 | 125.6 | 8.68 | 0.61 | 0.76 | 0.91 |
| | 4800 | 150.6 | 5.52 | 0.6 | 0.76 | 0.9 | 144.2 | 6.46 | 0.61 | 0.77 | 0.92 | 137.5 | 7.51 | 0.62 | 0.79 | 0.94 | 130.1 | 8.67 | 0.64 | 0.81 | 0.97 |
| 71°F | 3200 | 144.9 | 5.53 | 0.42 | 0.54 | 0.65 | 140 | 6.47 | 0.43 | 0.54 | 0.66 | 133.6 | 7.51 | 0.44 | 0.55 | 0.67 | 126.7 | 8.68 | 0.44 | 0.56 | 0.69 |
| | 4000 | 153.9 | 5.51 | 0.43 | 0.56 | 0.69 | 147.4 | 6.46 | 0.43 | 0.57 | 0.7 | 140.7 | 7.51 | 0.43 | 0.58 | 0.72 | 133.1 | 8.67 | 0.44 | 0.59 | 0.74 |
| | 4800 | 159.7 | 5.5 | 0.44 | 0.59 | 0.73 | 152.7 | 6.45 | 0.44 | 0.6 | 0.74 | 145.5 | 7.5 | 0.44 | 0.61 | 0.76 | 137.7 | 8.65 | 0.45 | 0.63 | 0.79 |

(2) EL090XCSS + EL180XASD - 2 COMPRESSORS - FULL LOAD (1 Per Unit at High Stage)

| Entering Wet Bulb Temperature | Total Air Volume | Outdoor Air Temperature Entering Outdoor Coil | | | | | | | | | | | | | | | | | | | |
|-------------------------------|------------------|---|-------------------|-------------------------------|------|-------|-----------------|-------------------|-------------------------------|------|-------|-----------------|-------------------|-------------------------------|------|-------|-----------------|-------------------|-------------------------------|------|------|
| | | 85°F | | | | | 95°F | | | | | 105°F | | | | | 115°F | | | | |
| | | Total Cool Cap. | Comp. Motor Input | Sensible To Total Ratio (S/T) | | | Total Cool Cap. | Comp. Motor Input | Sensible To Total Ratio (S/T) | | | Total Cool Cap. | Comp. Motor Input | Sensible To Total Ratio (S/T) | | | Total Cool Cap. | Comp. Motor Input | Sensible To Total Ratio (S/T) | | |
| | | | | Dry Bulb | | | | | Dry Bulb | | | | | Dry Bulb | | | | | Dry Bulb | | |
| cfm | kBtuh | kW | 75°F | 80°F | 85°F | kBtuh | kW | 75°F | 80°F | 85°F | kBtuh | kW | 75°F | 80°F | 85°F | kBtuh | kW | 75°F | 80°F | 85°F | |
| 63°F | 4800 | 171.9 | 11.54 | 0.72 | 0.85 | 0.97 | 164.3 | 12.76 | 0.73 | 0.87 | 0.99 | 156 | 14.11 | 0.75 | 0.89 | 1 | 146.9 | 15.61 | 0.77 | 0.91 | 1 |
| | 6000 | 180.2 | 11.73 | 0.76 | 0.91 | 1 | 171.6 | 12.94 | 0.78 | 0.93 | 1 | 163 | 14.3 | 0.8 | 0.95 | 1 | 153.6 | 15.8 | 0.82 | 0.98 | 1 |
| | 7200 | 186.3 | 11.88 | 0.81 | 0.96 | 1 | 177.7 | 13.1 | 0.82 | 0.98 | 1 | 168.4 | 14.45 | 0.85 | 1 | 1 | 159.4 | 15.96 | 0.87 | 1 | 1 |
| 67°F | 4800 | 181.6 | 11.77 | 0.57 | 0.7 | 0.81 | 173.7 | 12.99 | 0.57 | 0.71 | 0.83 | 165.1 | 14.35 | 0.58 | 0.72 | 0.85 | 155.4 | 15.85 | 0.59 | 0.74 | 0.88 |
| | 6000 | 190.6 | 11.98 | 0.59 | 0.74 | 0.88 | 181.6 | 13.2 | 0.6 | 0.76 | 0.9 | 172.3 | 14.55 | 0.61 | 0.77 | 0.92 | 162 | 16.03 | 0.63 | 0.8 | 0.95 |
| | 7200 | 196.7 | 12.12 | 0.62 | 0.78 | 0.93 | 187.4 | 13.34 | 0.63 | 0.8 | 0.95 | 177.3 | 14.68 | 0.65 | 0.82 | 0.98 | 166.5 | 16.16 | 0.66 | 0.85 | 1 |
| 71°F | 4800 | 191.8 | 12 | 0.42 | 0.55 | 0.67 | 182.9 | 13.24 | 0.43 | 0.56 | 0.68 | 174.8 | 14.61 | 0.43 | 0.57 | 0.7 | 164.3 | 16.11 | 0.43 | 0.58 | 0.72 |
| | 6000 | 201.2 | 12.23 | 0.43 | 0.58 | 0.72 | 191.8 | 13.45 | 0.43 | 0.59 | 0.73 | 181.8 | 14.81 | 0.44 | 0.6 | 0.75 | 171.3 | 16.3 | 0.45 | 0.62 | 0.77 |
| | 7200 | 207.5 | 12.38 | 0.44 | 0.61 | 0.76 | 197.5 | 13.6 | 0.44 | 0.62 | 0.78 | 187.2 | 14.95 | 0.45 | 0.64 | 0.8 | 175.9 | 16.44 | 0.46 | 0.65 | 0.83 |

(2) EL120XCSS + EL240XASD - 2 COMPRESSORS - PART LOAD (1 Per Unit at Low Stage)

| Entering Wet Bulb Temperature | Total Air Volume | Outdoor Air Temperature Entering Outdoor Coil | | | | | | | | | | | | | | | | | | | |
|-------------------------------|------------------|---|-------------------|-------------------------------|------|-------|-----------------|-------------------|-------------------------------|------|-------|-----------------|-------------------|-------------------------------|------|-------|-----------------|-------------------|-------------------------------|------|------|
| | | 65°F | | | | | 75°F | | | | | 85°F | | | | | 95°F | | | | |
| | | Total Cool Cap. | Comp. Motor Input | Sensible To Total Ratio (S/T) | | | Total Cool Cap. | Comp. Motor Input | Sensible To Total Ratio (S/T) | | | Total Cool Cap. | Comp. Motor Input | Sensible To Total Ratio (S/T) | | | Total Cool Cap. | Comp. Motor Input | Sensible To Total Ratio (S/T) | | |
| | | | | Dry Bulb | | | | | Dry Bulb | | | | | Dry Bulb | | | | | Dry Bulb | | |
| cfm | kBtuh | kW | 75°F | 80°F | 85°F | kBtuh | kW | 75°F | 80°F | 85°F | kBtuh | kW | 75°F | 80°F | 85°F | kBtuh | kW | 75°F | 80°F | 85°F | |
| 63°F | 4160 | 170.1 | 6.96 | 0.71 | 0.83 | 0.95 | 163.5 | 8.09 | 0.72 | 0.85 | 0.97 | 155.8 | 9.37 | 0.73 | 0.86 | 0.99 | 147.2 | 10.81 | 0.75 | 0.89 | 1 |
| | 5200 | 178.9 | 6.94 | 0.75 | 0.89 | 1 | 171.8 | 8.07 | 0.76 | 0.91 | 1 | 163.7 | 9.34 | 0.78 | 0.93 | 1 | 154.8 | 10.78 | 0.8 | 0.96 | 1 |
| | 6240 | 185.6 | 6.93 | 0.8 | 0.96 | 1 | 178.3 | 8.05 | 0.81 | 0.97 | 1 | 170 | 9.33 | 0.83 | 0.99 | 1 | 160.9 | 10.76 | 0.85 | 1 | 1 |
| 67°F | 4160 | 180.5 | 6.94 | 0.56 | 0.68 | 0.8 | 174.1 | 8.06 | 0.57 | 0.69 | 0.81 | 166.2 | 9.33 | 0.58 | 0.7 | 0.83 | 157.7 | 10.77 | 0.59 | 0.72 | 0.85 |
| | 5200 | 190.2 | 6.92 | 0.59 | 0.73 | 0.86 | 183.3 | 8.04 | 0.59 | 0.74 | 0.88 | 174.3 | 9.31 | 0.61 | 0.75 | 0.9 | 165.4 | 10.74 | 0.62 | 0.78 | 0.93 |
| | 6240 | 196.8 | 6.91 | 0.61 | 0.77 | 0.92 | 189.4 | 8.03 | 0.63 | 0.79 | 0.94 | 180.6 | 9.29 | 0.64 | 0.81 | 0.97 | 170.3 | 10.72 | 0.65 | 0.82 | 0.99 |
| 71°F | 4160 | 191.1 | 6.92 | 0.44 | 0.55 | 0.66 | 184.4 | 8.04 | 0.43 | 0.55 | 0.66 | 176.4 | 9.31 | 0.44 | 0.56 | 0.68 | 167.2 | 10.73 | 0.44 | 0.57 | 0.69 |
| | 5200 | 200.9 | 6.91 | 0.44 | 0.57 | 0.7 | 193.8 | 8.02 | 0.44 | 0.58 | 0.72 | 185 | 9.28 | 0.45 | 0.59 | 0.73 | 175.7 | 10.7 | 0.46 | 0.6 | 0.75 |
| | 6240 | 208.4 | 6.91 | 0.45 | 0.6 | 0.75 | 200.4 | 8.01 | 0.45 | 0.61 | 0.77 | 191.4 | 9.27 | 0.46 | 0.62 | 0.78 | 181 | 10.69 | 0.46 | 0.63 | 0.8 |

(2) EL120XCSS + EL240XASD - 2 COMPRESSORS - FULL LOAD (1 Per Unit at High Stage)

| Entering Wet Bulb Temperature | Total Air Volume | Outdoor Air Temperature Entering Outdoor Coil | | | | | | | | | | | | | | | | | | | |
|-------------------------------|------------------|---|-------------------|-------------------------------|------|-------|-----------------|-------------------|-------------------------------|------|-------|-----------------|-------------------|-------------------------------|------|-------|-----------------|-------------------|-------------------------------|------|------|
| | | 85°F | | | | | 95°F | | | | | 105°F | | | | | 115°F | | | | |
| | | Total Cool Cap. | Comp. Motor Input | Sensible To Total Ratio (S/T) | | | Total Cool Cap. | Comp. Motor Input | Sensible To Total Ratio (S/T) | | | Total Cool Cap. | Comp. Motor Input | Sensible To Total Ratio (S/T) | | | Total Cool Cap. | Comp. Motor Input | Sensible To Total Ratio (S/T) | | |
| | | | | Dry Bulb | | | | | Dry Bulb | | | | | Dry Bulb | | | | | Dry Bulb | | |
| cfm | kBtuh | kW | 75°F | 80°F | 85°F | kBtuh | kW | 75°F | 80°F | 85°F | kBtuh | kW | 75°F | 80°F | 85°F | kBtuh | kW | 75°F | 80°F | 85°F | |
| 63°F | 6400 | 233.9 | 14.63 | 0.73 | 0.86 | 0.99 | 223.8 | 16.23 | 0.74 | 0.88 | 1 | 212.7 | 18.04 | 0.75 | 0.9 | 1 | 200.6 | 20.13 | 0.78 | 0.93 | 1 |
| | 8000 | 244.7 | 14.81 | 0.78 | 0.93 | 1 | 233.5 | 16.39 | 0.8 | 0.95 | 1 | 222.1 | 18.21 | 0.81 | 0.98 | 1 | 209.7 | 20.29 | 0.84 | 1 | 1 |
| | 9600 | 252.8 | 14.96 | 0.82 | 0.99 | 1 | 241.2 | 16.53 | 0.85 | 1 | 1 | 230 | 18.34 | 0.87 | 1 | 1 | 218.3 | 20.45 | 0.89 | 1 | 1 |
| 67°F | 6400 | 248.1 | 14.87 | 0.58 | 0.7 | 0.83 | 237.3 | 16.46 | 0.59 | 0.72 | 0.85 | 225.8 | 18.26 | 0.59 | 0.73 | 0.87 | 213.3 | 20.35 | 0.6 | 0.75 | 0.89 |
| | 8000 | 259.2 | 15.07 | 0.6 | 0.75 | 0.9 | 247.9 | 16.63 | 0.62 | 0.77 | 0.92 | 235.3 | 18.44 | 0.63 | 0.79 | 0.95 | 221.9 | 20.5 | 0.64 | 0.81 | 0.98 |
| | 9600 | 267.6 | 15.21 | 0.63 | 0.81 | 0.96 | 255 | 16.75 | 0.64 | 0.82 | 0.99 | 241.5 | 18.54 | 0.66 | 0.85 | 1 | 227.4 | 20.59 | 0.68 | 0.87 | 1 |
| 71°F | 6400 | 262 | 15.12 | 0.42 | 0.56 | 0.68 | 250.3 | 16.67 | 0.44 | 0.57 | 0.69 | 238.3 | 18.48 | 0.44 | 0.58 | 0.71 | 225.2 | 20.56 | 0.43 | 0.59 | 0.72 |
| | 8000 | 273.2 | 15.31 | 0.44 | 0.59 | 0.73 | 261.2 | 16.86 | 0.44 | 0.6 | 0.75 | 247.9 | 18.65 | 0.44 | 0.61 | 0.77 | 234.6 | 20.72 | 0.45 | 0.63 | 0.79 |
| | 9600 | 282.5 | 15.47 | 0.44 | 0.62 | 0.78 | 269.3 | 16.99 | 0.45 | 0.63 | 0.8 | 255.5 | 18.78 | 0.45 | 0.65 | 0.82 | 240.3 | 20.81 | 0.47 | 0.67 | 0.85 |

RATINGS

ONE OUTDOOR UNIT + TWO INDOOR UNITS

NOTE - For Temperatures and Capacities not shown in tables, see bulletin - Cooling Unit Rating Table Correction Factor Data in Miscellaneous Engineering Data section.

EL090XCSS + (2) CX35-60D + (2) EL296UH135XE60D - 1 COMPRESSOR - PART LOAD

| Entering Wet Bulb Temperature | Total Air Volume | Outdoor Air Temperature Entering Outdoor Coil | | | | | | | | | | | | | | | | | | | | | | | |
|-------------------------------|------------------|---|-------------------|-------------------------------|------|-------|-----------------|-------------------|-------------------------------|------|-------|-----------------|-------------------|-------------------------------|------|-------|-----------------|-------------------|-------------------------------|------|------|--|--|--|--|
| | | 65°F | | | | | | 75°F | | | | | | 85°F | | | | | | 95°F | | | | | |
| | | Total Cool Cap. | Comp. Motor Input | Sensible To Total Ratio (S/T) | | | Total Cool Cap. | Comp. Motor Input | Sensible To Total Ratio (S/T) | | | Total Cool Cap. | Comp. Motor Input | Sensible To Total Ratio (S/T) | | | Total Cool Cap. | Comp. Motor Input | Sensible To Total Ratio (S/T) | | | | | | |
| | | | | Dry Bulb | | | | | Dry Bulb | | | | | Dry Bulb | | | | | Dry Bulb | | | | | | |
| cfm | kBtuh | kW | 75°F | 80°F | 85°F | kBtuh | kW | 75°F | 80°F | 85°F | kBtuh | kW | 75°F | 80°F | 85°F | kBtuh | kW | 75°F | 80°F | 85°F | | | | | |
| 63°F | 1600 | 66.1 | 2.78 | .71 | .82 | .94 | 63.6 | 3.25 | .72 | .84 | .96 | 60.8 | 3.77 | .73 | .85 | .98 | 57.8 | 4.35 | .74 | .87 | 1.00 | | | | |
| | 2000 | 70.1 | 2.77 | .74 | .88 | 1.00 | 67.3 | 3.24 | .75 | .90 | 1.00 | 64.1 | 3.76 | .77 | .92 | 1.00 | 60.8 | 4.34 | .79 | .95 | 1.00 | | | | |
| | 2400 | 73.1 | 2.76 | .78 | .93 | 1.00 | 70.1 | 3.23 | .80 | .96 | 1.00 | 66.8 | 3.76 | .82 | .98 | 1.00 | 63.2 | 4.33 | .84 | 1.00 | 1.00 | | | | |
| 67°F | 1600 | 69.9 | 2.77 | .57 | .68 | .79 | 67.2 | 3.24 | .57 | .69 | .80 | 64.3 | 3.76 | .58 | .70 | .82 | 61.0 | 4.34 | .58 | .71 | .84 | | | | |
| | 2000 | 74.2 | 2.76 | .59 | .72 | .84 | 71.2 | 3.23 | .58 | .73 | .86 | 67.8 | 3.75 | .59 | .74 | .88 | 64.3 | 4.33 | .61 | .77 | .91 | | | | |
| | 2400 | 77.4 | 2.75 | .61 | .76 | .90 | 74.1 | 3.22 | .62 | .77 | .92 | 70.6 | 3.75 | .63 | .79 | .95 | 66.8 | 4.33 | .65 | .81 | .97 | | | | |
| 71°F | 1600 | 74.1 | 2.76 | .44 | .55 | .65 | 71.2 | 3.23 | .44 | .55 | .67 | 68.1 | 3.75 | .44 | .56 | .68 | 64.6 | 4.33 | .44 | .57 | .69 | | | | |
| | 2000 | 78.5 | 2.75 | .45 | .57 | .69 | 75.3 | 3.22 | .45 | .58 | .70 | 71.8 | 3.75 | .45 | .59 | .72 | 68.0 | 4.32 | .46 | .60 | .74 | | | | |
| | 2400 | 81.9 | 2.75 | .46 | .60 | .73 | 78.2 | 3.22 | .46 | .61 | .75 | 74.4 | 3.74 | .47 | .62 | .77 | 70.4 | 4.32 | .47 | .63 | .79 | | | | |

EL090XCSS + (2) CX35-60D + (2) EL296UH135XE60D - 1 COMPRESSOR - FULL LOAD

| Entering Wet Bulb Temperature | Total Air Volume | Outdoor Air Temperature Entering Outdoor Coil | | | | | | | | | | | | | | | | | | | | | | | |
|-------------------------------|------------------|---|-------------------|-------------------------------|------|-------|-----------------|-------------------|-------------------------------|------|-------|-----------------|-------------------|-------------------------------|------|-------|-----------------|-------------------|-------------------------------|-------|------|--|--|--|--|
| | | 85°F | | | | | | 95°F | | | | | | 105°F | | | | | | 115°F | | | | | |
| | | Total Cool Cap. | Comp. Motor Input | Sensible To Total Ratio (S/T) | | | Total Cool Cap. | Comp. Motor Input | Sensible To Total Ratio (S/T) | | | Total Cool Cap. | Comp. Motor Input | Sensible To Total Ratio (S/T) | | | Total Cool Cap. | Comp. Motor Input | Sensible To Total Ratio (S/T) | | | | | | |
| | | | | Dry Bulb | | | | | Dry Bulb | | | | | Dry Bulb | | | | | Dry Bulb | | | | | | |
| cfm | kBtuh | kW | 75°F | 80°F | 85°F | kBtuh | kW | 75°F | 80°F | 85°F | kBtuh | kW | 75°F | 80°F | 85°F | kBtuh | kW | 75°F | 80°F | 85°F | | | | | |
| 63°F | 2400 | 89.5 | 5.86 | .72 | .84 | .97 | 85.4 | 6.46 | .73 | .86 | .99 | 81.1 | 7.13 | .75 | .89 | 1.00 | 76.3 | 7.85 | .77 | .91 | 1.00 | | | | |
| | 3000 | 94.1 | 5.97 | .76 | .91 | 1.00 | 89.7 | 6.58 | .78 | .93 | 1.00 | 85.0 | 7.24 | .80 | .96 | 1.00 | 79.9 | 7.96 | .82 | .99 | 1.00 | | | | |
| | 3600 | 97.7 | 6.06 | .81 | .97 | 1.00 | 92.9 | 6.66 | .82 | .99 | 1.00 | 88.0 | 7.33 | .85 | 1.00 | 1.00 | 83.3 | 8.06 | .87 | 1.00 | 1.00 | | | | |
| 67°F | 2400 | 94.1 | 5.98 | .58 | .70 | .81 | 89.8 | 6.58 | .58 | .71 | .83 | 85.5 | 7.25 | .59 | .72 | .85 | 80.5 | 7.97 | .60 | .74 | .88 | | | | |
| | 3000 | 99.2 | 6.09 | .60 | .74 | .87 | 94.6 | 6.70 | .61 | .75 | .90 | 89.6 | 7.37 | .62 | .78 | .92 | 84.2 | 8.09 | .64 | .80 | .96 | | | | |
| | 3600 | 102.9 | 6.19 | .63 | .78 | .94 | 98.0 | 6.79 | .64 | .80 | .96 | 92.6 | 7.45 | .65 | .83 | .99 | 86.8 | 8.17 | .67 | .85 | 1.00 | | | | |
| 71°F | 2400 | 99.7 | 6.11 | .44 | .56 | .67 | 95.1 | 6.72 | .44 | .57 | .68 | 90.2 | 7.39 | .45 | .58 | .70 | 84.9 | 8.11 | .45 | .59 | .72 | | | | |
| | 3000 | 104.8 | 6.23 | .45 | .59 | .72 | 99.8 | 6.84 | .46 | .60 | .73 | 94.4 | 7.50 | .46 | .61 | .75 | 88.5 | 8.22 | .47 | .63 | .78 | | | | |
| | 3600 | 108.3 | 6.32 | .47 | .62 | .76 | 102.9 | 6.92 | .47 | .63 | .78 | 97.2 | 7.59 | .48 | .64 | .80 | 91.1 | 8.30 | .48 | .66 | .83 | | | | |

EL090XCSS + (2) CX35-60C + (2) EL280UH110E48C - 1 COMPRESSOR - PART LOAD

| Entering Wet Bulb Temperature | Total Air Volume | Outdoor Air Temperature Entering Outdoor Coil | | | | | | | | | | | | | | | | | | | | | | | |
|-------------------------------|------------------|---|-------------------|-------------------------------|------|-------|-----------------|-------------------|-------------------------------|------|-------|-----------------|-------------------|-------------------------------|------|-------|-----------------|-------------------|-------------------------------|------|------|--|--|--|--|
| | | 65°F | | | | | | 75°F | | | | | | 85°F | | | | | | 95°F | | | | | |
| | | Total Cool Cap. | Comp. Motor Input | Sensible To Total Ratio (S/T) | | | Total Cool Cap. | Comp. Motor Input | Sensible To Total Ratio (S/T) | | | Total Cool Cap. | Comp. Motor Input | Sensible To Total Ratio (S/T) | | | Total Cool Cap. | Comp. Motor Input | Sensible To Total Ratio (S/T) | | | | | | |
| | | | | Dry Bulb | | | | | Dry Bulb | | | | | Dry Bulb | | | | | Dry Bulb | | | | | | |
| cfm | kBtuh | kW | 75°F | 80°F | 85°F | kBtuh | kW | 75°F | 80°F | 85°F | kBtuh | kW | 75°F | 80°F | 85°F | kBtuh | kW | 75°F | 80°F | 85°F | | | | | |
| 63°F | 1600 | 69.1 | 2.77 | .84 | .95 | 1.00 | 66.2 | 3.24 | .86 | .97 | 1.00 | 63.2 | 3.76 | .88 | 1.00 | 1.00 | 59.9 | 4.34 | .90 | 1.00 | 1.00 | | | | |
| | 2000 | 73.0 | 2.76 | .91 | 1.00 | 1.00 | 69.8 | 3.23 | .93 | 1.00 | 1.00 | 66.4 | 3.76 | .96 | 1.00 | 1.00 | 62.9 | 4.33 | .98 | 1.00 | 1.00 | | | | |
| | 2400 | 76.0 | 2.76 | .98 | 1.00 | 1.00 | 72.6 | 3.23 | 1.00 | 1.00 | 1.00 | 69.6 | 3.75 | 1.00 | 1.00 | 1.00 | 66.2 | 4.33 | 1.00 | 1.00 | 1.00 | | | | |
| 67°F | 1600 | 73.4 | 2.76 | .71 | .82 | .93 | 70.4 | 3.23 | .73 | .84 | .95 | 67.2 | 3.75 | .74 | .86 | .97 | 63.6 | 4.33 | .76 | .89 | 1.00 | | | | |
| | 2000 | 77.5 | 2.75 | .77 | .89 | 1.00 | 74.2 | 3.22 | .79 | .92 | 1.00 | 70.5 | 3.75 | .81 | .94 | 1.00 | 66.6 | 4.33 | .83 | .97 | 1.00 | | | | |
| | 2400 | 80.5 | 2.75 | .82 | .96 | 1.00 | 76.7 | 3.22 | .84 | .99 | 1.00 | 73.0 | 3.74 | .87 | 1.00 | 1.00 | 68.8 | 4.32 | .90 | 1.00 | 1.00 | | | | |
| 71°F | 1600 | 77.7 | 2.75 | .61 | .71 | .80 | 74.4 | 3.22 | .61 | .72 | .82 | 70.9 | 3.75 | .63 | .74 | .85 | 67.1 | 4.32 | .64 | .76 | .87 | | | | |
| | 2000 | 82.0 | 2.74 | .65 | .76 | .88 | 78.4 | 3.22 | .66 | .78 | .91 | 74.5 | 3.74 | .68 | .81 | .93 | 70.5 | 4.32 | .69 | .83 | .96 | | | | |
| | 2400 | 85.3 | 2.74 | .69 | .82 | .95 | 81.4 | 3.21 | .70 | .84 | .98 | 77.2 | 3.74 | .72 | .87 | 1.00 | 72.8 | 4.31 | .75 | .90 | 1.00 | | | | |

EL090XCSS + (2) CX35-60C + (2) EL280UH110E48C - 1 COMPRESSOR - FULL LOAD

| Entering Wet Bulb Temperature | Total Air Volume | Outdoor Air Temperature Entering Outdoor Coil | | | | | | | | | | | | | | | | | | | | | | | |
|-------------------------------|------------------|---|-------------------|-------------------------------|------|-------|-----------------|-------------------|-------------------------------|------|-------|-----------------|-------------------|-------------------------------|------|-------|-----------------|-------------------|-------------------------------|-------|------|--|--|--|--|
| | | 85°F | | | | | | 95°F | | | | | | 105°F | | | | | | 115°F | | | | | |
| | | Total Cool Cap. | Comp. Motor Input | Sensible To Total Ratio (S/T) | | | Total Cool Cap. | Comp. Motor Input | Sensible To Total Ratio (S/T) | | | Total Cool Cap. | Comp. Motor Input | Sensible To Total Ratio (S/T) | | | Total Cool Cap. | Comp. Motor Input | Sensible To Total Ratio (S/T) | | | | | | |
| | | | | Dry Bulb | | | | | Dry Bulb | | | | | Dry Bulb | | | | | Dry Bulb | | | | | | |
| cfm | kBtuh | kW | 75°F | 80°F | 85°F | kBtuh | kW | 75°F | 80°F | 85°F | kBtuh | kW | 75°F | 80°F | 85°F | kBtuh | kW | 75°F | 80°F | 85°F | | | | | |
| 63°F | 2400 | 92.6 | 5.93 | .87 | 1.00 | 1.00 | 88.3 | 6.54 | .89 | 1.00 | 1.00 | 83.6 | 7.20 | .92 | 1.00 | 1.00 | 78.6 | 7.92 | .95 | 1.00 | 1.00 | | | | |
| | 3000 | 97.3 | 6.05 | .95 | 1.00 | 1.00 | 92.5 | 6.65 | .98 | 1.00 | 1.00 | 87.5 | 7.31 | 1.00 | 1.00 | 1.00 | 82.8 | 8.05 | 1.00 | 1.00 | 1.00 | | | | |
| | 3600 | 100.9 | 6.14 | 1.00 | 1.00 | 1.00 | 96.6 | 6.76 | 1.00 | 1.00 | 1.00 | 91.9 | 7.44 | 1.00 | 1.00 | 1.00 | 86.7 | 8.17 | 1.00 | 1.00 | 1.00 | | | | |
| 67°F | 2400 | 98.0 | 6.07 | .74 | .86 | .97 | 93.5 | 6.67 | .76 | .88 | 1.00 | 88.5 | 7.34 | .78 | .91 | 1.00 | 83.0 | 8.05 | .81 | .94 | 1.00 | | | | |
| | 3000 | 102.7 | 6.18 | .81 | .95 | 1.00 | 97.5 | 6.78 | .83 | .97 | 1.00 | 92.1 | 7.44 | .85 | 1.00 | 1.00 | 86.3 | 8.15 | .88 | 1.00 | 1.00 | | | | |
| | 3600 | 105.9 | 6.26 | .87 | 1.00 | 1.00 | 100.4 | 6.86 | .90 | 1.00 | 1.00 | 94.9 | 7.52 | .92 | 1.00 | 1.00 | 88.4 | 8.22 | .96 | 1.00 | 1.00 | | | | |
| 71°F | 2400 | 103.3 | 6.20 | .63 | .74 | .85 | 98.3 | 6.81 | .64 | .76 | .87 | 93.3 | 7.47 | .66 | .78 | .90 | 87.5 | 8.20 | .68 | .81 | .93 | | | | |
| | 3000 | 108.2 | 6.32 | .68 | .81 | .94 | 102.9 | 6.92 | .70 | .83 | .96 | 97.1 | 7.58 | .72 | .86 | .99 | 90.9 | 8.30 | .74 | .89 | 1.00 | | | | |
| | 3600 | 111.6 | 6.40 | .73 | .87 | 1.00 | 105.7 | 7.00 | .75 | .90 | 1.00 | 99.7 | 7.66 | .77 | .93 | 1.00 | 93.3 | 8.37 | .80 | .97 | 1.00 | | | | |

RATINGS

ONE OUTDOOR UNIT + TWO INDOOR UNITS

NOTE - For Temperatures and Capacities not shown in tables, see bulletin - Cooling Unit Rating Table Correction Factor Data in Miscellaneous Engineering Data section.

EL090XCSS + (2) CX35-60C + (2) EL280UH110(X)E60C - 1 COMPRESSOR - PART LOAD

| Entering Wet Bulb Temperature | Total Air Volume | Outdoor Air Temperature Entering Outdoor Coil | | | | | | | | | | | | | | | | | | | |
|-------------------------------|------------------|---|-------------------|-------------------------------|------|-------|-----------------|-------------------|-------------------------------|------|-------|-----------------|-------------------|-------------------------------|------|-------|-----------------|-------------------|-------------------------------|------|------|
| | | 65°F | | | | | 75°F | | | | | 85°F | | | | | 95°F | | | | |
| | | Total Cool Cap. | Comp. Motor Input | Sensible To Total Ratio (S/T) | | | Total Cool Cap. | Comp. Motor Input | Sensible To Total Ratio (S/T) | | | Total Cool Cap. | Comp. Motor Input | Sensible To Total Ratio (S/T) | | | Total Cool Cap. | Comp. Motor Input | Sensible To Total Ratio (S/T) | | |
| | | | | Dry Bulb | | | | | Dry Bulb | | | | | Dry Bulb | | | | | Dry Bulb | | |
| cfm | kBtuh | kW | 75°F | 80°F | 85°F | kBtuh | kW | 75°F | 80°F | 85°F | kBtuh | kW | 75°F | 80°F | 85°F | kBtuh | kW | 75°F | 80°F | 85°F | |
| 63°F | 1600 | 69.1 | 2.77 | .84 | .95 | 1.00 | 66.2 | 3.24 | .86 | .97 | 1.00 | 63.2 | 3.76 | .88 | 1.00 | 1.00 | 59.9 | 4.34 | .90 | 1.00 | 1.00 |
| | 2000 | 73.0 | 2.76 | .91 | 1.00 | 1.00 | 69.8 | 3.23 | .93 | 1.00 | 1.00 | 66.4 | 3.76 | .96 | 1.00 | 1.00 | 62.9 | 4.33 | .98 | 1.00 | 1.00 |
| | 2400 | 76.0 | 2.76 | .98 | 1.00 | 1.00 | 72.6 | 3.23 | 1.00 | 1.00 | 1.00 | 69.6 | 3.75 | 1.00 | 1.00 | 1.00 | 66.2 | 4.33 | 1.00 | 1.00 | 1.00 |
| 67°F | 1600 | 73.4 | 2.76 | .71 | .82 | .93 | 70.4 | 3.23 | .73 | .84 | .95 | 67.2 | 3.75 | .74 | .86 | .97 | 63.6 | 4.33 | .76 | .89 | 1.00 |
| | 2000 | 77.5 | 2.75 | .77 | .89 | 1.00 | 74.2 | 3.22 | .79 | .92 | 1.00 | 70.5 | 3.75 | .81 | .94 | 1.00 | 66.6 | 4.33 | .83 | .97 | 1.00 |
| | 2400 | 80.5 | 2.75 | .82 | .96 | 1.00 | 76.7 | 3.22 | .84 | .99 | 1.00 | 73.0 | 3.74 | .87 | 1.00 | 1.00 | 68.8 | 4.32 | .90 | 1.00 | 1.00 |
| 71°F | 1600 | 77.7 | 2.75 | .61 | .71 | .80 | 74.4 | 3.22 | .61 | .72 | .82 | 70.9 | 3.75 | .63 | .74 | .85 | 67.1 | 4.32 | .64 | .76 | .87 |
| | 2000 | 82.0 | 2.74 | .65 | .76 | .88 | 78.4 | 3.22 | .66 | .78 | .91 | 74.5 | 3.74 | .68 | .81 | .93 | 70.5 | 4.32 | .69 | .83 | .96 |
| | 2400 | 85.3 | 2.74 | .69 | .82 | .95 | 81.4 | 3.21 | .70 | .84 | .98 | 77.2 | 3.74 | .72 | .87 | 1.00 | 72.8 | 4.31 | .75 | .90 | 1.00 |

EL090XCSS + (2) CX35-60C + (2) EL280UH110(X)E60C - 1 COMPRESSOR - FULL LOAD

| Entering Wet Bulb Temperature | Total Air Volume | Outdoor Air Temperature Entering Outdoor Coil | | | | | | | | | | | | | | | | | | | |
|-------------------------------|------------------|---|-------------------|-------------------------------|------|-------|-----------------|-------------------|-------------------------------|------|-------|-----------------|-------------------|-------------------------------|------|-------|-----------------|-------------------|-------------------------------|------|------|
| | | 85°F | | | | | 95°F | | | | | 105°F | | | | | 115°F | | | | |
| | | Total Cool Cap. | Comp. Motor Input | Sensible To Total Ratio (S/T) | | | Total Cool Cap. | Comp. Motor Input | Sensible To Total Ratio (S/T) | | | Total Cool Cap. | Comp. Motor Input | Sensible To Total Ratio (S/T) | | | Total Cool Cap. | Comp. Motor Input | Sensible To Total Ratio (S/T) | | |
| | | | | Dry Bulb | | | | | Dry Bulb | | | | | Dry Bulb | | | | | Dry Bulb | | |
| cfm | kBtuh | kW | 75°F | 80°F | 85°F | kBtuh | kW | 75°F | 80°F | 85°F | kBtuh | kW | 75°F | 80°F | 85°F | kBtuh | kW | 75°F | 80°F | 85°F | |
| 63°F | 2400 | 92.6 | 5.93 | .87 | 1.00 | 1.00 | 88.3 | 6.54 | .89 | 1.00 | 1.00 | 83.6 | 7.20 | .92 | 1.00 | 1.00 | 78.6 | 7.92 | .95 | 1.00 | 1.00 |
| | 3000 | 97.3 | 6.05 | .95 | 1.00 | 1.00 | 92.5 | 6.65 | .98 | 1.00 | 1.00 | 87.5 | 7.31 | 1.00 | 1.00 | 1.00 | 82.8 | 8.05 | 1.00 | 1.00 | 1.00 |
| | 3600 | 100.9 | 6.14 | 1.00 | 1.00 | 1.00 | 96.6 | 6.76 | 1.00 | 1.00 | 1.00 | 91.9 | 7.44 | 1.00 | 1.00 | 1.00 | 86.7 | 8.17 | 1.00 | 1.00 | 1.00 |
| 67°F | 2400 | 98.0 | 6.07 | .74 | .86 | .97 | 93.5 | 6.67 | .76 | .88 | 1.00 | 88.5 | 7.34 | .78 | .91 | 1.00 | 83.0 | 8.05 | .81 | .94 | 1.00 |
| | 3000 | 102.7 | 6.18 | .81 | .95 | 1.00 | 97.5 | 6.78 | .83 | .97 | 1.00 | 92.1 | 7.44 | .85 | 1.00 | 1.00 | 86.3 | 8.15 | .88 | 1.00 | 1.00 |
| | 3600 | 105.9 | 6.26 | .87 | 1.00 | 1.00 | 100.4 | 6.86 | .90 | 1.00 | 1.00 | 94.9 | 7.52 | .92 | 1.00 | 1.00 | 88.4 | 8.22 | .96 | 1.00 | 1.00 |
| 71°F | 2400 | 103.3 | 6.20 | .63 | .74 | .85 | 98.3 | 6.81 | .64 | .76 | .87 | 93.3 | 7.47 | .66 | .78 | .90 | 87.5 | 8.20 | .68 | .81 | .93 |
| | 3000 | 108.2 | 6.32 | .68 | .81 | .94 | 102.9 | 6.92 | .70 | .83 | .96 | 97.1 | 7.58 | .72 | .86 | .99 | 90.9 | 8.30 | .74 | .89 | 1.00 |
| | 3600 | 111.6 | 6.40 | .73 | .87 | 1.00 | 105.7 | 7.00 | .75 | .90 | 1.00 | 99.7 | 7.66 | .77 | .93 | 1.00 | 93.3 | 8.37 | .80 | .97 | 1.00 |

EL090XCSS + (2) CX35-60C + (2) EL296UH110XE60C - 1 COMPRESSOR - PART LOAD

| Entering Wet Bulb Temperature | Total Air Volume | Outdoor Air Temperature Entering Outdoor Coil | | | | | | | | | | | | | | | | | | | |
|-------------------------------|------------------|---|-------------------|-------------------------------|------|-------|-----------------|-------------------|-------------------------------|------|-------|-----------------|-------------------|-------------------------------|------|-------|-----------------|-------------------|-------------------------------|------|------|
| | | 65°F | | | | | 75°F | | | | | 85°F | | | | | 95°F | | | | |
| | | Total Cool Cap. | Comp. Motor Input | Sensible To Total Ratio (S/T) | | | Total Cool Cap. | Comp. Motor Input | Sensible To Total Ratio (S/T) | | | Total Cool Cap. | Comp. Motor Input | Sensible To Total Ratio (S/T) | | | Total Cool Cap. | Comp. Motor Input | Sensible To Total Ratio (S/T) | | |
| | | | | Dry Bulb | | | | | Dry Bulb | | | | | Dry Bulb | | | | | Dry Bulb | | |
| cfm | kBtuh | kW | 75°F | 80°F | 85°F | kBtuh | kW | 75°F | 80°F | 85°F | kBtuh | kW | 75°F | 80°F | 85°F | kBtuh | kW | 75°F | 80°F | 85°F | |
| 63°F | 1600 | 69.1 | 2.77 | .84 | .95 | 1.00 | 66.2 | 3.24 | .86 | .97 | 1.00 | 63.2 | 3.76 | .88 | 1.00 | 1.00 | 59.9 | 4.34 | .90 | 1.00 | 1.00 |
| | 2000 | 73.0 | 2.76 | .91 | 1.00 | 1.00 | 69.8 | 3.23 | .93 | 1.00 | 1.00 | 66.4 | 3.76 | .96 | 1.00 | 1.00 | 62.9 | 4.33 | .98 | 1.00 | 1.00 |
| | 2400 | 76.0 | 2.76 | .98 | 1.00 | 1.00 | 72.6 | 3.23 | 1.00 | 1.00 | 1.00 | 69.6 | 3.75 | 1.00 | 1.00 | 1.00 | 66.2 | 4.33 | 1.00 | 1.00 | 1.00 |
| 67°F | 1600 | 73.4 | 2.76 | .71 | .82 | .93 | 70.4 | 3.23 | .73 | .84 | .95 | 67.2 | 3.75 | .74 | .86 | .97 | 63.6 | 4.33 | .76 | .89 | 1.00 |
| | 2000 | 77.5 | 2.75 | .77 | .89 | 1.00 | 74.2 | 3.22 | .79 | .92 | 1.00 | 70.5 | 3.75 | .81 | .94 | 1.00 | 66.6 | 4.33 | .83 | .97 | 1.00 |
| | 2400 | 80.5 | 2.75 | .82 | .96 | 1.00 | 76.7 | 3.22 | .84 | .99 | 1.00 | 73.0 | 3.74 | .87 | 1.00 | 1.00 | 68.8 | 4.32 | .90 | 1.00 | 1.00 |
| 71°F | 1600 | 77.7 | 2.75 | .61 | .71 | .80 | 74.4 | 3.22 | .61 | .72 | .82 | 70.9 | 3.75 | .63 | .74 | .85 | 67.1 | 4.32 | .64 | .76 | .87 |
| | 2000 | 82.0 | 2.74 | .65 | .76 | .88 | 78.4 | 3.22 | .66 | .78 | .91 | 74.5 | 3.74 | .68 | .81 | .93 | 70.5 | 4.32 | .69 | .83 | .96 |
| | 2400 | 85.3 | 2.74 | .69 | .82 | .95 | 81.4 | 3.21 | .70 | .84 | .98 | 77.2 | 3.74 | .72 | .87 | 1.00 | 72.8 | 4.31 | .75 | .90 | 1.00 |

EL090XCSS + (2) CX35-60C + (2) EL296UH110XE60C - 1 COMPRESSOR - FULL LOAD

| Entering Wet Bulb Temperature | Total Air Volume | Outdoor Air Temperature Entering Outdoor Coil | | | | | | | | | | | | | | | | | | | |
|-------------------------------|------------------|---|-------------------|-------------------------------|------|-------|-----------------|-------------------|-------------------------------|------|-------|-----------------|-------------------|-------------------------------|------|-------|-----------------|-------------------|-------------------------------|------|------|
| | | 85°F | | | | | 95°F | | | | | 105°F | | | | | 115°F | | | | |
| | | Total Cool Cap. | Comp. Motor Input | Sensible To Total Ratio (S/T) | | | Total Cool Cap. | Comp. Motor Input | Sensible To Total Ratio (S/T) | | | Total Cool Cap. | Comp. Motor Input | Sensible To Total Ratio (S/T) | | | Total Cool Cap. | Comp. Motor Input | Sensible To Total Ratio (S/T) | | |
| | | | | Dry Bulb | | | | | Dry Bulb | | | | | Dry Bulb | | | | | Dry Bulb | | |
| cfm | kBtuh | kW | 75°F | 80°F | 85°F | kBtuh | kW | 75°F | 80°F | 85°F | kBtuh | kW | 75°F | 80°F | 85°F | kBtuh | kW | 75°F | 80°F | 85°F | |
| 63°F | 2400 | 92.6 | 5.93 | .87 | 1.00 | 1.00 | 88.3 | 6.54 | .89 | 1.00 | 1.00 | 83.6 | 7.20 | .92 | 1.00 | 1.00 | 78.6 | 7.92 | .95 | 1.00 | 1.00 |
| | 3000 | 97.3 | 6.05 | .95 | 1.00 | 1.00 | 92.5 | 6.65 | .98 | 1.00 | 1.00 | 87.5 | 7.31 | 1.00 | 1.00 | 1.00 | 82.8 | 8.05 | 1.00 | 1.00 | 1.00 |
| | 3600 | 100.9 | 6.14 | 1.00 | 1.00 | 1.00 | 96.6 | 6.76 | 1.00 | 1.00 | 1.00 | 91.9 | 7.44 | 1.00 | 1.00 | 1.00 | 86.7 | 8.17 | 1.00 | 1.00 | 1.00 |
| 67°F | 2400 | 98.0 | 6.07 | .74 | .86 | .97 | 93.5 | 6.67 | .76 | .88 | 1.00 | 88.5 | 7.34 | .78 | .91 | 1.00 | 83.0 | 8.05 | .81 | .94 | 1.00 |
| | 3000 | 102.7 | 6.18 | .81 | .95 | 1.00 | 97.5 | 6.78 | .83 | .97 | 1.00 | 92.1 | 7.44 | .85 | 1.00 | 1.00 | 86.3 | 8.15 | .88 | 1.00 | 1.00 |
| | 3600 | 105.9 | 6.26 | .87 | 1.00 | 1.00 | 100.4 | 6.86 | .90 | 1.00 | 1.00 | 94.9 | 7.52 | .92 | 1.00 | 1.00 | 88.4 | 8.22 | .96 | 1.00 | 1.00 |
| 71°F | 2400 | 103.3 | 6.20 | .63 | .74 | .85 | 98.3 | 6.81 | .64 | .76 | .87 | 93.3 | 7.47 | .66 | .78 | .90 | 87.5 | 8.20 | .68 | .81 | .93 |
| | 3000 | 108.2 | 6.32 | .68 | .81 | .94 | 102.9 | 6.92 | .70 | .83 | .96 | 97.1 | 7.58 | .72 | .86 | .99 | 90.9 | 8.30 | .74 | .89 | 1.00 |
| | 3600 | 111.6 | 6.40 | .73 | .87 | 1.00 | 105.7 | 7.00 | .75 | .90 | 1.00 | 99.7 | 7.66 | .77 | .93 | 1.00 | 93.3 | 8.37 | .80 | .97 | 1.00 |

RATINGS

ONE OUTDOOR UNIT + TWO INDOOR UNITS

NOTE - For Temperatures and Capacities not shown in tables, see bulletin - Cooling Unit Rating Table Correction Factor Data in Miscellaneous Engineering Data section.

EL120XCSS + (2) CH23-68 + (2) EL280UH110(X)E60C - 1 COMPRESSOR - PART LOAD

| Entering Wet Bulb Temperature | Total Air Volume | Outdoor Air Temperature Entering Outdoor Coil | | | | | | | | | | | | | | | | | | | |
|-------------------------------|------------------|---|-------------------|-------------------------------|------|-------|-----------------|-------------------|-------------------------------|------|-------|-----------------|-------------------|-------------------------------|------|-------|-----------------|-------------------|-------------------------------|------|------|
| | | 65°F | | | | | 75°F | | | | | 85°F | | | | | 95°F | | | | |
| | | Total Cool Cap. | Comp. Motor Input | Sensible To Total Ratio (S/T) | | | Total Cool Cap. | Comp. Motor Input | Sensible To Total Ratio (S/T) | | | Total Cool Cap. | Comp. Motor Input | Sensible To Total Ratio (S/T) | | | Total Cool Cap. | Comp. Motor Input | Sensible To Total Ratio (S/T) | | |
| | | | | Dry Bulb | | | | | Dry Bulb | | | | | Dry Bulb | | | | | Dry Bulb | | |
| cfm | kBtuh | kW | 75°F | 80°F | 85°F | kBtuh | kW | 75°F | 80°F | 85°F | kBtuh | kW | 75°F | 80°F | 85°F | kBtuh | kW | 75°F | 80°F | 85°F | |
| 63°F | 2080 | 80.8 | 3.50 | .71 | .83 | .94 | 77.8 | 4.07 | .72 | .84 | .96 | 74.4 | 4.73 | .73 | .86 | .98 | 70.3 | 5.47 | .74 | .88 | 1.00 |
| | 2600 | 85.4 | 3.49 | .75 | .88 | 1.00 | 82.1 | 4.06 | .76 | .90 | 1.00 | 78.3 | 4.70 | .77 | .92 | 1.00 | 73.9 | 5.44 | .79 | .95 | 1.00 |
| | 3120 | 88.5 | 3.48 | .78 | .94 | 1.00 | 85.3 | 4.04 | .80 | .95 | 1.00 | 81.5 | 4.69 | .82 | .98 | 1.00 | 77.3 | 5.42 | .84 | 1.00 | 1.00 |
| 67°F | 2080 | 86.1 | 3.48 | .57 | .68 | .79 | 83.1 | 4.05 | .57 | .69 | .80 | 79.4 | 4.70 | .58 | .70 | .82 | 75.2 | 5.43 | .59 | .72 | .84 |
| | 2600 | 90.8 | 3.47 | .59 | .72 | .85 | 87.4 | 4.04 | .59 | .73 | .87 | 83.6 | 4.68 | .60 | .75 | .88 | 79.1 | 5.41 | .61 | .77 | .91 |
| | 3120 | 94.2 | 3.47 | .61 | .76 | .91 | 90.8 | 4.03 | .62 | .77 | .92 | 86.7 | 4.67 | .63 | .79 | .95 | 81.9 | 5.40 | .65 | .82 | .97 |
| 71°F | 2080 | 91.5 | 3.47 | .43 | .55 | .65 | 88.4 | 4.04 | .44 | .55 | .66 | 84.6 | 4.68 | .44 | .56 | .68 | 80.3 | 5.41 | .44 | .57 | .69 |
| | 2600 | 96.5 | 3.47 | .45 | .57 | .70 | 93.1 | 4.02 | .45 | .58 | .71 | 89.1 | 4.66 | .45 | .59 | .72 | 84.4 | 5.38 | .46 | .60 | .74 |
| | 3120 | 99.8 | 3.46 | .46 | .60 | .74 | 96.4 | 4.02 | .46 | .61 | .75 | 92.1 | 4.65 | .46 | .62 | .77 | 87.2 | 5.37 | .47 | .63 | .79 |

EL120XCSS + (2) CH23-68 + (2) EL280UH110(X)E60C - 1 COMPRESSOR - FULL LOAD

| Entering Wet Bulb Temperature | Total Air Volume | Outdoor Air Temperature Entering Outdoor Coil | | | | | | | | | | | | | | | | | | | |
|-------------------------------|------------------|---|-------------------|-------------------------------|------|-------|-----------------|-------------------|-------------------------------|------|-------|-----------------|-------------------|-------------------------------|------|-------|-----------------|-------------------|-------------------------------|------|------|
| | | 85°F | | | | | 95°F | | | | | 105°F | | | | | 115°F | | | | |
| | | Total Cool Cap. | Comp. Motor Input | Sensible To Total Ratio (S/T) | | | Total Cool Cap. | Comp. Motor Input | Sensible To Total Ratio (S/T) | | | Total Cool Cap. | Comp. Motor Input | Sensible To Total Ratio (S/T) | | | Total Cool Cap. | Comp. Motor Input | Sensible To Total Ratio (S/T) | | |
| | | | | Dry Bulb | | | | | Dry Bulb | | | | | Dry Bulb | | | | | Dry Bulb | | |
| cfm | kBtuh | kW | 75°F | 80°F | 85°F | kBtuh | kW | 75°F | 80°F | 85°F | kBtuh | kW | 75°F | 80°F | 85°F | kBtuh | kW | 75°F | 80°F | 85°F | |
| 63°F | 3200 | 112.9 | 7.41 | .72 | .85 | .97 | 107.8 | 8.22 | .74 | .87 | .99 | 102.9 | 9.16 | .75 | .89 | 1.00 | 97.3 | 10.25 | .77 | .91 | 1.00 |
| | 4000 | 118.3 | 7.50 | .77 | .92 | 1.00 | 113.0 | 8.31 | .78 | .94 | 1.00 | 107.4 | 9.24 | .80 | .96 | 1.00 | 101.7 | 10.31 | .82 | .98 | 1.00 |
| | 4800 | 122.4 | 7.58 | .81 | .97 | 1.00 | 117.1 | 8.38 | .83 | .99 | 1.00 | 111.8 | 9.31 | .85 | 1.00 | 1.00 | 106.4 | 10.41 | .88 | 1.00 | 1.00 |
| 67°F | 3200 | 119.8 | 7.53 | .58 | .70 | .82 | 114.5 | 8.33 | .59 | .71 | .84 | 109.1 | 9.27 | .59 | .73 | .86 | 103.1 | 10.35 | .60 | .74 | .88 |
| | 4000 | 125.4 | 7.62 | .60 | .75 | .89 | 119.8 | 8.42 | .61 | .76 | .91 | 113.9 | 9.35 | .62 | .78 | .93 | 107.4 | 10.42 | .64 | .80 | .96 |
| | 4800 | 129.6 | 7.70 | .63 | .79 | .94 | 123.6 | 8.49 | .64 | .81 | .96 | 117.2 | 9.41 | .66 | .83 | .98 | 110.3 | 10.47 | .67 | .86 | 1.00 |
| 71°F | 3200 | 127.1 | 7.66 | .43 | .56 | .68 | 121.4 | 8.45 | .44 | .57 | .69 | 115.6 | 9.38 | .44 | .58 | .70 | 109.4 | 10.44 | .45 | .59 | .72 |
| | 4000 | 132.8 | 7.75 | .45 | .59 | .72 | 127.0 | 8.55 | .46 | .60 | .74 | 120.6 | 9.47 | .46 | .61 | .76 | 113.8 | 10.53 | .47 | .63 | .78 |
| | 4800 | 137.1 | 7.83 | .46 | .62 | .77 | 130.7 | 8.61 | .46 | .63 | .79 | 123.9 | 9.52 | .48 | .65 | .81 | 116.7 | 10.58 | .47 | .66 | .84 |

EL120XCSS + (2) CH23-68 + (2) EL296UH110XE60C - 1 COMPRESSOR - PART LOAD

| Entering Wet Bulb Temperature | Total Air Volume | Outdoor Air Temperature Entering Outdoor Coil | | | | | | | | | | | | | | | | | | | |
|-------------------------------|------------------|---|-------------------|-------------------------------|------|-------|-----------------|-------------------|-------------------------------|------|-------|-----------------|-------------------|-------------------------------|------|-------|-----------------|-------------------|-------------------------------|------|------|
| | | 65°F | | | | | 75°F | | | | | 85°F | | | | | 95°F | | | | |
| | | Total Cool Cap. | Comp. Motor Input | Sensible To Total Ratio (S/T) | | | Total Cool Cap. | Comp. Motor Input | Sensible To Total Ratio (S/T) | | | Total Cool Cap. | Comp. Motor Input | Sensible To Total Ratio (S/T) | | | Total Cool Cap. | Comp. Motor Input | Sensible To Total Ratio (S/T) | | |
| | | | | Dry Bulb | | | | | Dry Bulb | | | | | Dry Bulb | | | | | Dry Bulb | | |
| cfm | kBtuh | kW | 75°F | 80°F | 85°F | kBtuh | kW | 75°F | 80°F | 85°F | kBtuh | kW | 75°F | 80°F | 85°F | kBtuh | kW | 75°F | 80°F | 85°F | |
| 63°F | 2080 | 80.8 | 3.50 | .71 | .83 | .94 | 77.8 | 4.07 | .72 | .84 | .96 | 74.4 | 4.73 | .73 | .86 | .98 | 70.3 | 5.47 | .74 | .88 | 1.00 |
| | 2600 | 85.4 | 3.49 | .75 | .88 | 1.00 | 82.1 | 4.06 | .76 | .90 | 1.00 | 78.3 | 4.70 | .77 | .92 | 1.00 | 73.9 | 5.44 | .79 | .95 | 1.00 |
| | 3120 | 88.5 | 3.48 | .78 | .94 | 1.00 | 85.3 | 4.04 | .80 | .95 | 1.00 | 81.5 | 4.69 | .82 | .98 | 1.00 | 77.3 | 5.42 | .84 | 1.00 | 1.00 |
| 67°F | 2080 | 86.1 | 3.48 | .57 | .68 | .79 | 83.1 | 4.05 | .57 | .69 | .80 | 79.4 | 4.70 | .58 | .70 | .82 | 75.2 | 5.43 | .59 | .72 | .84 |
| | 2600 | 90.8 | 3.47 | .59 | .72 | .85 | 87.4 | 4.04 | .59 | .73 | .87 | 83.6 | 4.68 | .60 | .75 | .88 | 79.1 | 5.41 | .61 | .77 | .91 |
| | 3120 | 94.2 | 3.47 | .61 | .76 | .91 | 90.8 | 4.03 | .62 | .77 | .92 | 86.7 | 4.67 | .63 | .79 | .95 | 81.9 | 5.40 | .65 | .82 | .97 |
| 71°F | 2080 | 91.5 | 3.47 | .43 | .55 | .65 | 88.4 | 4.04 | .44 | .55 | .66 | 84.6 | 4.68 | .44 | .56 | .68 | 80.3 | 5.41 | .44 | .57 | .69 |
| | 2600 | 96.5 | 3.47 | .45 | .57 | .70 | 93.1 | 4.02 | .45 | .58 | .71 | 89.1 | 4.66 | .45 | .59 | .72 | 84.4 | 5.38 | .46 | .60 | .74 |
| | 3120 | 99.8 | 3.46 | .46 | .60 | .74 | 96.4 | 4.02 | .46 | .61 | .75 | 92.1 | 4.65 | .46 | .62 | .77 | 87.2 | 5.37 | .47 | .63 | .79 |

EL120XCSS + (2) CH23-68 + (2) EL296UH110XE60C - 1 COMPRESSOR - FULL LOAD

| Entering Wet Bulb Temperature | Total Air Volume | Outdoor Air Temperature Entering Outdoor Coil | | | | | | | | | | | | | | | | | | | |
|-------------------------------|------------------|---|-------------------|-------------------------------|------|-------|-----------------|-------------------|-------------------------------|------|-------|-----------------|-------------------|-------------------------------|------|-------|-----------------|-------------------|-------------------------------|------|------|
| | | 85°F | | | | | 95°F | | | | | 105°F | | | | | 115°F | | | | |
| | | Total Cool Cap. | Comp. Motor Input | Sensible To Total Ratio (S/T) | | | Total Cool Cap. | Comp. Motor Input | Sensible To Total Ratio (S/T) | | | Total Cool Cap. | Comp. Motor Input | Sensible To Total Ratio (S/T) | | | Total Cool Cap. | Comp. Motor Input | Sensible To Total Ratio (S/T) | | |
| | | | | Dry Bulb | | | | | Dry Bulb | | | | | Dry Bulb | | | | | Dry Bulb | | |
| cfm | kBtuh | kW | 75°F | 80°F | 85°F | kBtuh | kW | 75°F | 80°F | 85°F | kBtuh | kW | 75°F | 80°F | 85°F | kBtuh | kW | 75°F | 80°F | 85°F | |
| 63°F | 3200 | 112.9 | 7.41 | .72 | .85 | .97 | 107.8 | 8.22 | .74 | .87 | .99 | 102.9 | 9.16 | .75 | .89 | 1.00 | 97.3 | 10.25 | .77 | .91 | 1.00 |
| | 4000 | 118.3 | 7.50 | .77 | .92 | 1.00 | 113.0 | 8.31 | .78 | .94 | 1.00 | 107.4 | 9.24 | .80 | .96 | 1.00 | 101.7 | 10.31 | .82 | .98 | 1.00 |
| | 4800 | 122.4 | 7.58 | .81 | .97 | 1.00 | 117.1 | 8.38 | .83 | .99 | 1.00 | 111.8 | 9.31 | .85 | 1.00 | 1.00 | 106.4 | 10.41 | .88 | 1.00 | 1.00 |
| 67°F | 3200 | 119.8 | 7.53 | .58 | .70 | .82 | 114.5 | 8.33 | .59 | .71 | .84 | 109.1 | 9.27 | .59 | .73 | .86 | 103.1 | 10.35 | .60 | .74 | .88 |
| | 4000 | 125.4 | 7.62 | .60 | .75 | .89 | 119.8 | 8.42 | .61 | .76 | .91 | 113.9 | 9.35 | .62 | .78 | .93 | 107.4 | 10.42 | .64 | .80 | .96 |
| | 4800 | 129.6 | 7.70 | .63 | .79 | .94 | 123.6 | 8.49 | .64 | .81 | .96 | 117.2 | 9.41 | .66 | .83 | .98 | 110.3 | 10.47 | .67 | .86 | 1.00 |
| 71°F | 3200 | 127.1 | 7.66 | .43 | .56 | .68 | 121.4 | 8.45 | .44 | .57 | .69 | 115.6 | 9.38 | .44 | .58 | .70 | 109.4 | 10.44 | .45 | .59 | .72 |
| | 4000 | 132.8 | 7.75 | .45 | .59 | .72 | 127.0 | 8.55 | .46 | .60 | .74 | 120.6 | 9.47 | .46 | .61 | .76 | 113.8 | 10.53 | .47 | .63 | .78 |
| | 4800 | 137.1 | 7.83 | .46 | .62 | .77 | 130.7 | 8.61 | .46 | .63 | .79 | 123.9 | 9.52 | .48 | .65 | .81 | 116.7 | 10.58 | .47 | .66 | .84 |

RATINGS

ONE OUTDOOR UNIT + TWO INDOOR UNITS

NOTE - For Temperatures and Capacities not shown in tables, see bulletin - Cooling Unit Rating Table Correction Factor Data in Miscellaneous Engineering Data section.

EL120XCSS + (2) CX35-60C + (2) EL280UH110(X)E60C - 1 COMPRESSOR - PART LOAD

| Entering Wet Bulb Temperature | Total Air Volume | Outdoor Air Temperature Entering Outdoor Coil | | | | | | | | | | | | | | | | | | | |
|-------------------------------|------------------|---|-------------------|-------------------------------|------|-------|-----------------|-------------------|-------------------------------|------|-------|-----------------|-------------------|-------------------------------|------|-------|-----------------|-------------------|-------------------------------|------|------|
| | | 65°F | | | | | 75°F | | | | | 85°F | | | | | 95°F | | | | |
| | | Total Cool Cap. | Comp. Motor Input | Sensible To Total Ratio (S/T) | | | Total Cool Cap. | Comp. Motor Input | Sensible To Total Ratio (S/T) | | | Total Cool Cap. | Comp. Motor Input | Sensible To Total Ratio (S/T) | | | Total Cool Cap. | Comp. Motor Input | Sensible To Total Ratio (S/T) | | |
| | | | | Dry Bulb | | | | | Dry Bulb | | | | | Dry Bulb | | | | | Dry Bulb | | |
| cfm | kBtuh | kW | 75°F | 80°F | 85°F | kBtuh | kW | 75°F | 80°F | 85°F | kBtuh | kW | 75°F | 80°F | 85°F | kBtuh | kW | 75°F | 80°F | 85°F | |
| 63°F | 2080 | 84.6 | 3.49 | .85 | .96 | 1.00 | 81.4 | 4.06 | .86 | .98 | 1.00 | 77.8 | 4.70 | .88 | 1.00 | 1.00 | 73.5 | 5.43 | .91 | 1.00 | 1.00 |
| | 2600 | 89.1 | 3.48 | .91 | 1.00 | 1.00 | 85.7 | 4.04 | .94 | 1.00 | 1.00 | 81.8 | 4.69 | .96 | 1.00 | 1.00 | 77.3 | 5.42 | .99 | 1.00 | 1.00 |
| | 3120 | 92.6 | 3.47 | .99 | 1.00 | 1.00 | 89.1 | 4.03 | 1.00 | 1.00 | 1.00 | 85.4 | 4.68 | 1.00 | 1.00 | 1.00 | 81.4 | 5.39 | 1.00 | 1.00 | 1.00 |
| 67°F | 2080 | 89.7 | 3.48 | .72 | .83 | .94 | 86.4 | 4.04 | .73 | .84 | .96 | 82.7 | 4.69 | .75 | .87 | .98 | 78.2 | 5.42 | .77 | .89 | 1.00 |
| | 2600 | 94.2 | 3.47 | .78 | .91 | 1.00 | 90.8 | 4.02 | .79 | .92 | 1.00 | 86.7 | 4.67 | .81 | .95 | 1.00 | 81.9 | 5.39 | .83 | .97 | 1.00 |
| | 3120 | 97.3 | 3.46 | .83 | .98 | 1.00 | 93.9 | 4.02 | .85 | 1.00 | 1.00 | 89.8 | 4.66 | .87 | 1.00 | 1.00 | 84.8 | 5.38 | .90 | 1.00 | 1.00 |
| 71°F | 2080 | 94.5 | 3.46 | .61 | .72 | .82 | 91.2 | 4.02 | .62 | .73 | .83 | 87.3 | 4.67 | .63 | .74 | .85 | 82.9 | 5.39 | .65 | .77 | .88 |
| | 2600 | 99.4 | 3.46 | .66 | .78 | .90 | 95.8 | 4.01 | .67 | .79 | .91 | 91.7 | 4.65 | .68 | .81 | .94 | 86.9 | 5.38 | .70 | .84 | .97 |
| | 3120 | 102.8 | 3.46 | .70 | .84 | .97 | 99.1 | 4.01 | .72 | .85 | .99 | 94.7 | 4.64 | .73 | .88 | 1.00 | 89.4 | 5.37 | .75 | .89 | 1.00 |

EL120XCSS + (2) CX35-60C + (2) EL280UH110(X)E60C - 1 COMPRESSOR - FULL LOAD

| Entering Wet Bulb Temperature | Total Air Volume | Outdoor Air Temperature Entering Outdoor Coil | | | | | | | | | | | | | | | | | | | |
|-------------------------------|------------------|---|-------------------|-------------------------------|------|-------|-----------------|-------------------|-------------------------------|------|-------|-----------------|-------------------|-------------------------------|------|-------|-----------------|-------------------|-------------------------------|------|------|
| | | 85°F | | | | | 95°F | | | | | 105°F | | | | | 115°F | | | | |
| | | Total Cool Cap. | Comp. Motor Input | Sensible To Total Ratio (S/T) | | | Total Cool Cap. | Comp. Motor Input | Sensible To Total Ratio (S/T) | | | Total Cool Cap. | Comp. Motor Input | Sensible To Total Ratio (S/T) | | | Total Cool Cap. | Comp. Motor Input | Sensible To Total Ratio (S/T) | | |
| | | | | Dry Bulb | | | | | Dry Bulb | | | | | Dry Bulb | | | | | Dry Bulb | | |
| cfm | kBtuh | kW | 75°F | 80°F | 85°F | kBtuh | kW | 75°F | 80°F | 85°F | kBtuh | kW | 75°F | 80°F | 85°F | kBtuh | kW | 75°F | 80°F | 85°F | |
| 63°F | 3200 | 117.3 | 7.48 | .88 | 1.00 | 1.00 | 112.1 | 8.29 | .90 | 1.00 | 1.00 | 106.7 | 9.22 | .92 | 1.00 | 1.00 | 100.8 | 10.31 | .95 | 1.00 | 1.00 |
| | 4000 | 122.7 | 7.58 | .96 | 1.00 | 1.00 | 117.3 | 8.39 | .98 | 1.00 | 1.00 | 111.4 | 9.31 | 1.00 | 1.00 | 1.00 | 105.5 | 10.37 | 1.00 | 1.00 | 1.00 |
| | 4800 | 127.3 | 7.66 | 1.00 | 1.00 | 1.00 | 121.9 | 8.46 | 1.00 | 1.00 | 1.00 | 116.6 | 9.40 | 1.00 | 1.00 | 1.00 | 110.5 | 10.49 | 1.00 | 1.00 | 1.00 |
| 67°F | 3200 | 124.0 | 7.60 | .75 | .87 | .98 | 118.5 | 8.40 | .77 | .89 | 1.00 | 112.7 | 9.33 | .79 | .91 | 1.00 | 106.4 | 10.40 | .81 | .94 | 1.00 |
| | 4000 | 129.4 | 7.69 | .82 | .95 | 1.00 | 123.4 | 8.49 | .84 | .97 | 1.00 | 116.9 | 9.40 | .86 | 1.00 | 1.00 | 110.4 | 10.46 | .89 | 1.00 | 1.00 |
| | 4800 | 133.4 | 7.77 | .88 | 1.00 | 1.00 | 127.3 | 8.55 | .90 | 1.00 | 1.00 | 120.3 | 9.46 | .93 | 1.00 | 1.00 | 113.5 | 10.52 | .96 | 1.00 | 1.00 |
| 71°F | 3200 | 130.5 | 7.71 | .64 | .75 | .86 | 124.7 | 8.51 | .65 | .77 | .88 | 118.7 | 9.43 | .66 | .79 | .90 | 112.1 | 10.49 | .68 | .81 | .94 |
| | 4000 | 136.4 | 7.82 | .69 | .82 | .94 | 130.1 | 8.60 | .71 | .84 | .97 | 123.4 | 9.52 | .72 | .86 | 1.00 | 116.4 | 10.57 | .75 | .89 | 1.00 |
| | 4800 | 140.4 | 7.89 | .74 | .88 | 1.00 | 133.7 | 8.66 | .76 | .91 | 1.00 | 126.6 | 9.57 | .78 | .94 | 1.00 | 119.0 | 10.60 | .81 | .97 | 1.00 |

EL120XCSS + (2) CX35-60C + (2) EL296UH110XE60C - 1 COMPRESSOR - PART LOAD

| Entering Wet Bulb Temperature | Total Air Volume | Outdoor Air Temperature Entering Outdoor Coil | | | | | | | | | | | | | | | | | | | |
|-------------------------------|------------------|---|-------------------|-------------------------------|------|-------|-----------------|-------------------|-------------------------------|------|-------|-----------------|-------------------|-------------------------------|------|-------|-----------------|-------------------|-------------------------------|------|------|
| | | 65°F | | | | | 75°F | | | | | 85°F | | | | | 95°F | | | | |
| | | Total Cool Cap. | Comp. Motor Input | Sensible To Total Ratio (S/T) | | | Total Cool Cap. | Comp. Motor Input | Sensible To Total Ratio (S/T) | | | Total Cool Cap. | Comp. Motor Input | Sensible To Total Ratio (S/T) | | | Total Cool Cap. | Comp. Motor Input | Sensible To Total Ratio (S/T) | | |
| | | | | Dry Bulb | | | | | Dry Bulb | | | | | Dry Bulb | | | | | Dry Bulb | | |
| cfm | kBtuh | kW | 75°F | 80°F | 85°F | kBtuh | kW | 75°F | 80°F | 85°F | kBtuh | kW | 75°F | 80°F | 85°F | kBtuh | kW | 75°F | 80°F | 85°F | |
| 63°F | 2080 | 84.6 | 3.49 | .85 | .96 | 1.00 | 81.4 | 4.06 | .86 | .98 | 1.00 | 77.8 | 4.70 | .88 | 1.00 | 1.00 | 73.5 | 5.43 | .91 | 1.00 | 1.00 |
| | 2600 | 89.1 | 3.48 | .91 | 1.00 | 1.00 | 85.7 | 4.04 | .94 | 1.00 | 1.00 | 81.8 | 4.69 | .96 | 1.00 | 1.00 | 77.3 | 5.42 | .99 | 1.00 | 1.00 |
| | 3120 | 92.6 | 3.47 | .99 | 1.00 | 1.00 | 89.1 | 4.03 | 1.00 | 1.00 | 1.00 | 85.4 | 4.68 | 1.00 | 1.00 | 1.00 | 81.4 | 5.39 | 1.00 | 1.00 | 1.00 |
| 67°F | 2080 | 89.7 | 3.48 | .72 | .83 | .94 | 86.4 | 4.04 | .73 | .84 | .96 | 82.7 | 4.69 | .75 | .87 | .98 | 78.2 | 5.42 | .77 | .89 | 1.00 |
| | 2600 | 94.2 | 3.47 | .78 | .91 | 1.00 | 90.8 | 4.02 | .79 | .92 | 1.00 | 86.7 | 4.67 | .81 | .95 | 1.00 | 81.9 | 5.39 | .83 | .97 | 1.00 |
| | 3120 | 97.3 | 3.46 | .83 | .98 | 1.00 | 93.9 | 4.02 | .85 | 1.00 | 1.00 | 89.8 | 4.66 | .87 | 1.00 | 1.00 | 84.8 | 5.38 | .90 | 1.00 | 1.00 |
| 71°F | 2080 | 94.5 | 3.46 | .61 | .72 | .82 | 91.2 | 4.02 | .62 | .73 | .83 | 87.3 | 4.67 | .63 | .74 | .85 | 82.9 | 5.39 | .65 | .77 | .88 |
| | 2600 | 99.4 | 3.46 | .66 | .78 | .90 | 95.8 | 4.01 | .67 | .79 | .91 | 91.7 | 4.65 | .68 | .81 | .94 | 86.9 | 5.38 | .70 | .84 | .97 |
| | 3120 | 102.8 | 3.46 | .70 | .84 | .97 | 99.1 | 4.01 | .72 | .85 | .99 | 94.7 | 4.64 | .73 | .88 | 1.00 | 89.4 | 5.37 | .75 | .89 | 1.00 |

EL120XCSS + (2) CX35-60C + (2) EL296UH110XE60C - 1 COMPRESSOR - FULL LOAD

| Entering Wet Bulb Temperature | Total Air Volume | Outdoor Air Temperature Entering Outdoor Coil | | | | | | | | | | | | | | | | | | | |
|-------------------------------|------------------|---|-------------------|-------------------------------|------|-------|-----------------|-------------------|-------------------------------|------|-------|-----------------|-------------------|-------------------------------|------|-------|-----------------|-------------------|-------------------------------|------|------|
| | | 85°F | | | | | 95°F | | | | | 105°F | | | | | 115°F | | | | |
| | | Total Cool Cap. | Comp. Motor Input | Sensible To Total Ratio (S/T) | | | Total Cool Cap. | Comp. Motor Input | Sensible To Total Ratio (S/T) | | | Total Cool Cap. | Comp. Motor Input | Sensible To Total Ratio (S/T) | | | Total Cool Cap. | Comp. Motor Input | Sensible To Total Ratio (S/T) | | |
| | | | | Dry Bulb | | | | | Dry Bulb | | | | | Dry Bulb | | | | | Dry Bulb | | |
| cfm | kBtuh | kW | 75°F | 80°F | 85°F | kBtuh | kW | 75°F | 80°F | 85°F | kBtuh | kW | 75°F | 80°F | 85°F | kBtuh | kW | 75°F | 80°F | 85°F | |
| 63°F | 3200 | 117.3 | 7.48 | .88 | 1.00 | 1.00 | 112.1 | 8.29 | .90 | 1.00 | 1.00 | 106.7 | 9.22 | .92 | 1.00 | 1.00 | 100.8 | 10.31 | .95 | 1.00 | 1.00 |
| | 4000 | 122.7 | 7.58 | .96 | 1.00 | 1.00 | 117.3 | 8.39 | .98 | 1.00 | 1.00 | 111.4 | 9.31 | 1.00 | 1.00 | 1.00 | 105.5 | 10.37 | 1.00 | 1.00 | 1.00 |
| | 4800 | 127.3 | 7.66 | 1.00 | 1.00 | 1.00 | 121.9 | 8.46 | 1.00 | 1.00 | 1.00 | 116.6 | 9.40 | 1.00 | 1.00 | 1.00 | 110.5 | 10.49 | 1.00 | 1.00 | 1.00 |
| 67°F | 3200 | 124.0 | 7.60 | .75 | .87 | .98 | 118.5 | 8.40 | .77 | .89 | 1.00 | 112.7 | 9.33 | .79 | .91 | 1.00 | 106.4 | 10.40 | .81 | .94 | 1.00 |
| | 4000 | 129.4 | 7.69 | .82 | .95 | 1.00 | 123.4 | 8.49 | .84 | .97 | 1.00 | 116.9 | 9.40 | .86 | 1.00 | 1.00 | 110.4 | 10.46 | .89 | 1.00 | 1.00 |
| | 4800 | 133.4 | 7.77 | .88 | 1.00 | 1.00 | 127.3 | 8.55 | .90 | 1.00 | 1.00 | 120.3 | 9.46 | .93 | 1.00 | 1.00 | 113.5 | 10.52 | .96 | 1.00 | 1.00 |
| 71°F | 3200 | 130.5 | 7.71 | .64 | .75 | .86 | 124.7 | 8.51 | .65 | .77 | .88 | 118.7 | 9.43 | .66 | .79 | .90 | 112.1 | 10.49 | .68 | .81 | .94 |
| | 4000 | 136.4 | 7.82 | .69 | .82 | .94 | 130.1 | 8.60 | .71 | .84 | .97 | 123.4 | 9.52 | .72 | .86 | 1.00 | 116.4 | 10.57 | .75 | .89 | 1.00 |
| | 4800 | 140.4 | 7.89 | .74 | .88 | 1.00 | 133.7 | 8.66 | .76 | .91 | 1.00 | 126.6 | 9.57 | .78 | .94 | 1.00 | 119.0 | 10.60 | .81 | .97 | 1.00 |

RATINGS

ONE OUTDOOR UNIT + TWO INDOOR UNITS

NOTE - For Temperatures and Capacities not shown in tables, see bulletin - Cooling Unit Rating Table Correction Factor Data in Miscellaneous Engineering Data section.

EL120XCSS + (2) CX35-60D + (2) EL296UH135XE60D - 1 COMPRESSOR - PART LOAD

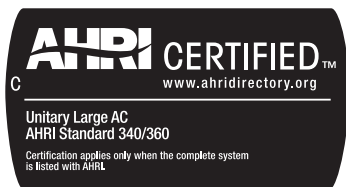
| Entering Wet Bulb Temperature | Total Air Volume | Outdoor Air Temperature Entering Outdoor Coil | | | | | | | | | | | | | | | | | | | | |
|-------------------------------|------------------|---|-------------------|-------------------------------|------|-------|-----------------|-------------------|-------------------------------|------|-------|-----------------|-------------------|-------------------------------|------|-------|-----------------|-------------------|-------------------------------|------|------|--|
| | | 65°F | | | | | | 75°F | | | | | 85°F | | | | | 95°F | | | | |
| | | Total Cool Cap. | Comp. Motor Input | Sensible To Total Ratio (S/T) | | | Total Cool Cap. | Comp. Motor Input | Sensible To Total Ratio (S/T) | | | Total Cool Cap. | Comp. Motor Input | Sensible To Total Ratio (S/T) | | | Total Cool Cap. | Comp. Motor Input | Sensible To Total Ratio (S/T) | | | |
| | | | | Dry Bulb | | | | | Dry Bulb | | | | | Dry Bulb | | | | | Dry Bulb | | | |
| cfm | kBtuh | kW | 75°F | 80°F | 85°F | kBtuh | kW | 75°F | 80°F | 85°F | kBtuh | kW | 75°F | 80°F | 85°F | kBtuh | kW | 75°F | 80°F | 85°F | | |
| 63°F | 2080 | 81.0 | 3.50 | .71 | .82 | .94 | 78.2 | 4.07 | .72 | .84 | .96 | 74.6 | 4.73 | .73 | .86 | .98 | 70.6 | 5.46 | .74 | .88 | 1.00 | |
| | 2600 | 85.7 | 3.49 | .74 | .88 | 1.00 | 82.6 | 4.05 | .75 | .89 | 1.00 | 78.8 | 4.70 | .77 | .92 | 1.00 | 74.6 | 5.43 | .79 | .95 | 1.00 | |
| | 3120 | 89.1 | 3.48 | .78 | .93 | 1.00 | 85.9 | 4.04 | .80 | .95 | 1.00 | 82.2 | 4.69 | .81 | .98 | 1.00 | 77.6 | 5.41 | .83 | 1.00 | 1.00 | |
| 67°F | 2080 | 85.5 | 3.49 | .57 | .68 | .79 | 82.5 | 4.06 | .57 | .69 | .80 | 79.0 | 4.70 | .58 | .70 | .82 | 75.0 | 5.43 | .59 | .72 | .84 | |
| | 2600 | 90.5 | 3.48 | .59 | .72 | .84 | 87.4 | 4.04 | .59 | .73 | .86 | 83.5 | 4.68 | .60 | .74 | .88 | 79.2 | 5.41 | .62 | .77 | .91 | |
| | 3120 | 94.1 | 3.46 | .61 | .76 | .90 | 90.8 | 4.03 | .62 | .77 | .92 | 86.8 | 4.66 | .63 | .79 | .94 | 82.3 | 5.39 | .65 | .81 | .97 | |
| 71°F | 2080 | 90.5 | 3.47 | .44 | .55 | .66 | 87.5 | 4.04 | .44 | .56 | .66 | 83.9 | 4.68 | .44 | .56 | .67 | 79.7 | 5.40 | .44 | .57 | .69 | |
| | 2600 | 95.5 | 3.46 | .45 | .57 | .70 | 92.2 | 4.03 | .45 | .58 | .71 | 88.3 | 4.67 | .45 | .58 | .72 | 83.7 | 5.39 | .46 | .60 | .74 | |
| | 3120 | 99.0 | 3.46 | .46 | .60 | .73 | 95.7 | 4.02 | .46 | .61 | .75 | 91.5 | 4.65 | .47 | .62 | .77 | 86.8 | 5.38 | .47 | .63 | .79 | |

EL120XCSS + (2) CX35-60D + (2) EL296UH135XE60D - 1 COMPRESSOR - FULL LOAD

| Entering Wet Bulb Temperature | Total Air Volume | Outdoor Air Temperature Entering Outdoor Coil | | | | | | | | | | | | | | | | | | | | |
|-------------------------------|------------------|---|-------------------|-------------------------------|------|-------|-----------------|-------------------|-------------------------------|------|-------|-----------------|-------------------|-------------------------------|------|-------|-----------------|-------------------|-------------------------------|------|------|--|
| | | 85°F | | | | | | 95°F | | | | | 105°F | | | | | 115°F | | | | |
| | | Total Cool Cap. | Comp. Motor Input | Sensible To Total Ratio (S/T) | | | Total Cool Cap. | Comp. Motor Input | Sensible To Total Ratio (S/T) | | | Total Cool Cap. | Comp. Motor Input | Sensible To Total Ratio (S/T) | | | Total Cool Cap. | Comp. Motor Input | Sensible To Total Ratio (S/T) | | | |
| | | | | Dry Bulb | | | | | Dry Bulb | | | | | Dry Bulb | | | | | Dry Bulb | | | |
| cfm | kBtuh | kW | 75°F | 80°F | 85°F | kBtuh | kW | 75°F | 80°F | 85°F | kBtuh | kW | 75°F | 80°F | 85°F | kBtuh | kW | 75°F | 80°F | 85°F | | |
| 63°F | 3200 | 113.3 | 7.41 | .72 | .85 | .97 | 108.6 | 8.23 | .73 | .86 | .99 | 103.6 | 9.17 | .75 | .88 | 1.00 | 98.0 | 10.25 | .76 | .91 | 1.00 | |
| | 4000 | 119.1 | 7.52 | .76 | .91 | 1.00 | 113.9 | 8.32 | .78 | .93 | 1.00 | 108.5 | 9.26 | .80 | .95 | 1.00 | 102.6 | 10.34 | .82 | .98 | 1.00 | |
| | 4800 | 123.5 | 7.59 | .80 | .96 | 1.00 | 118.0 | 8.39 | .82 | .99 | 1.00 | 112.1 | 9.32 | .84 | 1.00 | 1.00 | 106.4 | 10.40 | .87 | 1.00 | 1.00 | |
| 67°F | 3200 | 119.4 | 7.52 | .58 | .70 | .81 | 114.2 | 8.33 | .58 | .71 | .83 | 109.0 | 9.25 | .59 | .72 | .85 | 103.3 | 10.34 | .60 | .74 | .87 | |
| | 4000 | 125.5 | 7.62 | .60 | .74 | .87 | 120.0 | 8.43 | .61 | .75 | .89 | 114.2 | 9.36 | .62 | .77 | .92 | 108.0 | 10.44 | .63 | .79 | .95 | |
| | 4800 | 130.0 | 7.71 | .63 | .78 | .93 | 124.3 | 8.50 | .64 | .80 | .96 | 118.1 | 9.42 | .65 | .82 | .98 | 111.2 | 10.47 | .66 | .84 | 1.00 | |
| 71°F | 3200 | 126.4 | 7.64 | .44 | .56 | .67 | 121.0 | 8.45 | .44 | .57 | .69 | 115.3 | 9.37 | .45 | .58 | .70 | 109.2 | 10.45 | .45 | .59 | .72 | |
| | 4000 | 132.5 | 7.75 | .46 | .59 | .72 | 126.6 | 8.54 | .46 | .59 | .73 | 120.3 | 9.46 | .46 | .61 | .75 | 113.5 | 10.52 | .47 | .62 | .77 | |
| | 4800 | 136.6 | 7.82 | .46 | .62 | .76 | 130.3 | 8.60 | .47 | .63 | .78 | 123.9 | 9.53 | .48 | .64 | .80 | 116.9 | 10.59 | .48 | .66 | .82 | |

REVISIONS

| Sections | Description of Change |
|---------------------|---------------------------|
| Options/Accessories | CO2 Sensor usage updated. |



Visit us at www.Lennox.com

For the latest technical information, www.LennoxCommercial.com

Contact us at 1-800-4-LENNOX

NOTE - Due to Lennox' ongoing commitment to quality, Specifications, Ratings and Dimensions subject to change without notice and without incurring liability. Improper installation, adjustment, alteration, service or maintenance can cause property damage or personal injury. Installation and service must be performed by a qualified installer and servicing agency.

©2023 Lennox Industries, Inc.