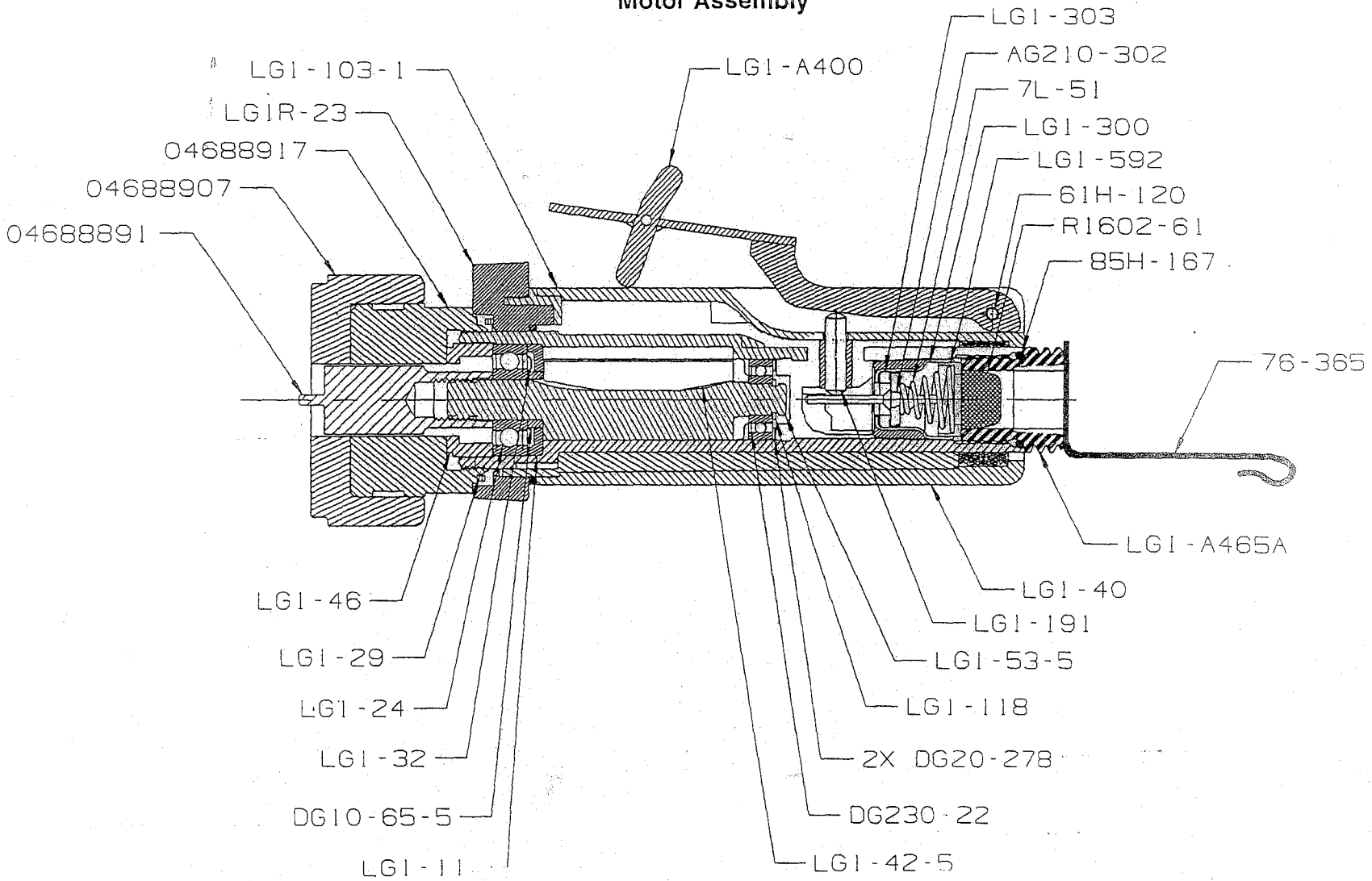


# Motor Assembly



Maimin Technology  
2915 Courtyards Dr., Bldg. B  
Norcross, GA 30071 USA

PARTS LIST

<u>PART NUMBER</u>	<u>DESCRIPTION</u>
LG1-103-1	Flow Ring
LG1R-23	Low Profile Concentric Flange
04688917	Mounting Head
04688907	Mounting Flange
04688891	Driver
LG1-46	Clamp Spacer
LG1-29	Flange Clamp
LG1-24	Front Rotor Bearing
LG1-32	Front Seal Cup
DG10-65-5	Front End Plate Spacer
LG1-11	Front End Plate
LG1-A400	Locking Throttle Lever Assembly
LG1-303	Throttle Valve Seat
AG210-302	Throttle Valve
7L-51	Throttle Valve Spring
LG1-300A	Throttle Valve Case
LG1-592	Throttle Valve Spring Set
61H-120	Throttle Lever Pin
RI602-61	Inlet Screen
85H-167	Inlet Seal
46328	Bail
LG1-A465A	Inlet Assembly
LG1-40	Motor Housing
LG1-191	Throttle Valve Plunger
LG1-53-5	Rotor
LG1-118	Rear Rotor Bearing Retainer
DG20-278	Rear Rotor Bearing Spacer (2)
DG230-22	Rear Rotor Bearing
LG1-42-5	Vane Packet (Set of 5 Vanes)

PARTS NOT ILLUSTRATED

<u>PART NUMBER</u>	<u>DESCRIPTION</u>
10489	Coupling
10490	Connector
10491	Aircóils

MINI-SHERE AIR MOTOR

INSTRUCTIONS

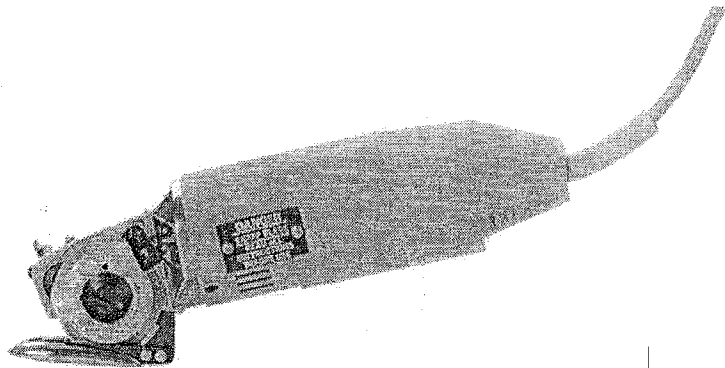
1. To Connect. The Air Motor must be connected to a line using clean, dry air. It is strongly recommended that a Pressure Regulator with Filter and Lubricator be used in the air line. This device ensures that the air is properly filtered, the air pressure is properly regulated, and adequate lubrication is available. It will greatly reduce maintenance and wear of the motor.

2. Motor Characteristics.

Air Pressure:	90 psi (6 Kg/cm <sup>2</sup> )
Air Required:	9.3 cu. ft./min. (250 Liters/min.)
Speed:	25,000 rpm

3. To Lubricate. The pressure Regulator with Filter and Lubricator will automatically deliver the correct amount of lubrication to the moving parts. If this device is not used, put a few drops of high grade 10 weight oil (1.7 - 3.3 E/50 C) into the throttle every 4 - 5 hours of use.

# MAIMIN MINI-SHERE INSTRUCTIONS & PARTS LIST



## I. DESCRIPTION

### 1-1 GENERAL

The Maimin Mini-Shere electric shears is a compact, efficient tool for easily cutting various materials. The Mini-Shere uses a hexagonal knife with either a baseplate or a cutting guide for different cutting purposes as listed below. Lubrication by the rear felt (10390) behind the knife greatly increases life of the gear retainer (10313) and improves the cutting action.

### 1-2 KNIFE

The hexagonal knife (30312) is excellent for cutting all materials such as cloth, synthetics, leather, and plastics.

### 1-3 BASEPLATE/CUTTING GUIDE

- The baseplate (10345) is used for general cutting.
- The cutting guide (10340) is used for trimming, angle cutting, and slitting or cutting knitwear.

## II. OPERATION

### 2-1 TO START

Connect male plug at end of power supply cable to electrical outlet of same voltage as stamped on nameplate. To operate machine, press switch lever (10411). Release lever to stop machine.

The Mini-Shere is double-insulated and requires no grounding. Therefore, it comes equipped with only a two wire electrical cord. The Stretch Mini-Shere is equipped with a three wire electrical cord as it is not double-insulated and must be grounded to the proper electrical outlet.

### 2-2 TO CUT

Maximum cutting height is 5/16" (8mm) but lays should be no higher than machine can cut without strain.

### 2-3 TO SHARPEN KNIFE

Press sharpener (10370) *lightly* for sharpener stone (10378) to grind rotating knife. Always keep knife sharp for clean, accurate cutting.

## III. CARE & MAINTNANCE

### 3-1 MAINTENANCE SCHEDULE

- Daily: Use Mini-Shere oil (10442) to saturate rear felt (10390) whose oil hole is marked in back of gear case (10306).
- Weekly: Grease gears with Mini-Shere grease. Grease hole is in back of gear case(10306).
- Monthly: Blow out air inlets and outlets of motor. Always keep Mini-Shere free of dirt and grease.

### 3-2 TO CHANGE KNIFE

Turn knife until its hole is opposite recess for sharpener, and insert a hex key into hole. Unscrew knife lock screw (10433) with screw driver. Lift knife out. Slip new knife between counter-cutting blade (10341) and cutting guide (10340), and seat it firmly on shoulder of gear (10310). Lock knife with knife lock screw. Clean cutting requires counter-cutting blade brush only edge of knife.

### 3-3 TO CONVERT BASEPLATE TO CUTTING GUIDE

To expose the cutting guide (10340), remove the baseplate (10345) by unscrewing the two screws (10347) holding the baseplate to the cutting guide. Be careful to keep the two screws with the baseplate for reassembly later if desired.

### 3-4 TO CHANGE SHARPENING STONE

Remove knife then sharpening stone (10378) from shaft by unscrewing stone screw (10373). Insert new sharpening stone, and reassemble.

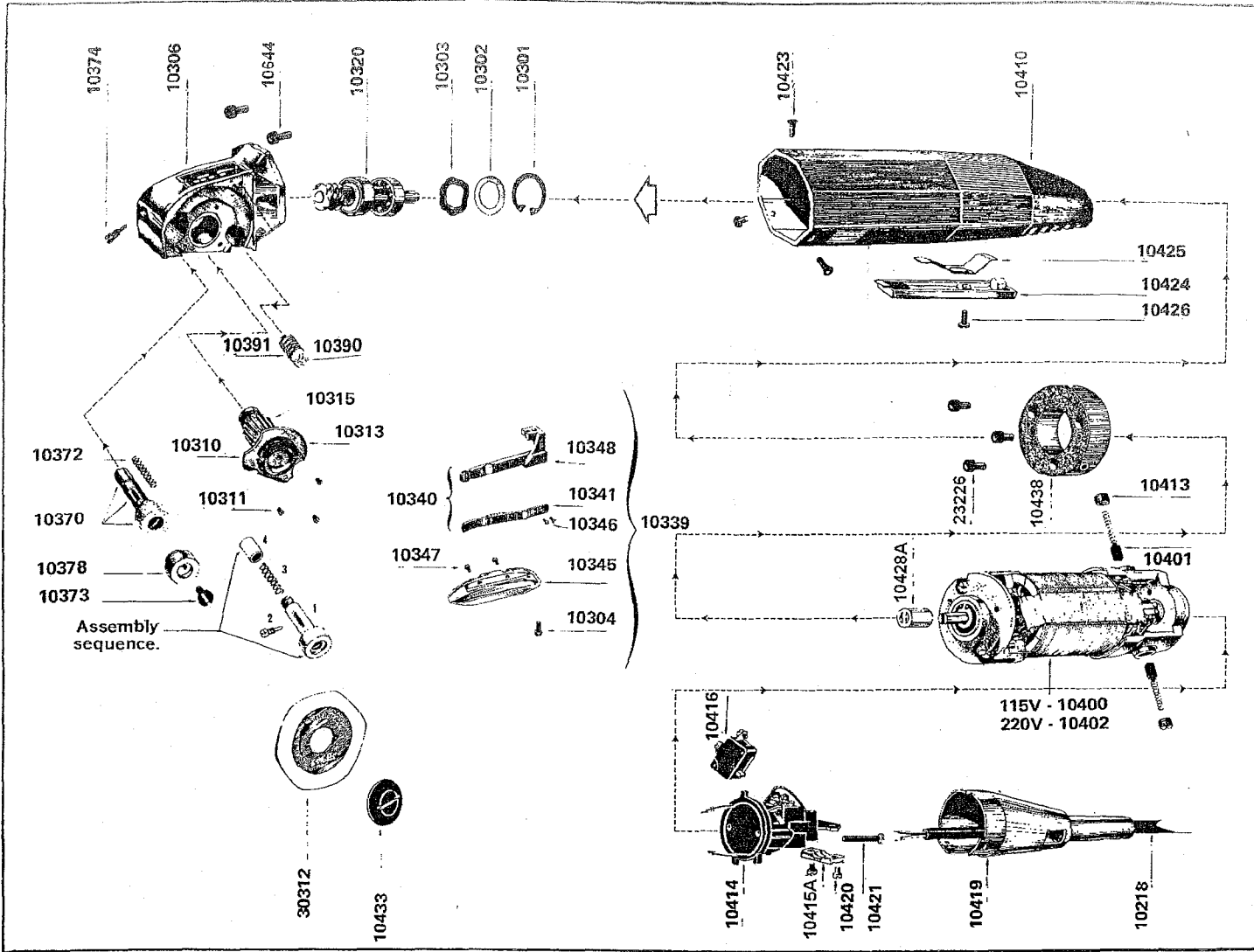
### 3-5 TO CHANGE CARBON BRUSHES

Check carbon brushes (10401) after 200 hours use. Using screwdriver, remove the three Screws (10423) holding motor case (10410). Slide off motor case. Remove brush caps (10413) from the exposed motor, and replace old carbon brushes.

**CAUTION: Disconnect machine from electrical outlet before making adjustments or repairs!**

SEE OTHER SIDE FOR PARTS LIST

# MINI-SHERE PARTS LIST



Part No.	Description	Part No.	Description	Part No.	Description
10218	Power Supply Cable	10372	Spring	10442	Oil
10250	Motor Bearing Front	10373	Stone Screw	10443	Grease
10251	Motor Bearing Back	10374	Shaft Screw	10644	Screw M4 X 10 Cap
10301	Retaining ring	10375	Cap	30312	Hexagonal Blade
10302	Washer	10378	Sharpening Stone		
10303	Undulated Washer	10390	Rear felt		
10304	Screw, M4 X 8 Cap	10391	Spring		
10306	Gear Case	10400	Motor Assembly 110V		
10310	Gear Assembly	10401	Carbon Brush, Each		
10311	Screw, M2.6 X 3	10402	Motor Assembly 220V		
10313	Gear Retainer	10410	Motor Case		
10315	Gear Only	10411	Switch Lever		
10320	Worm Assembly	10413	Brush Cap		
10324	Rollpin 2 X 10	10414	Holder Only		
10325	Retaining Ring	10415A	Clip		
10339	Cutting Guide Assembly	10416	Switch		
10340	Cutting Guide w/Blade	10419	Sheath		
10341	Counter Cutting Blade	10420	Screw 4 X 5/16		
10345	Baseplate	10421	Screw 3 X1-1/16		
10346	Screw, M2.6 X 3	10423	Screw M3 X 8		
10347	Screw, M3 x 6	10425	Spring		
10348	Cutting Guide Only	10426	Screw M3 X 4		
10349	Clamp (Not Shown)	10428A	Shaft Coupling		
10370	Sharpener Assembly	10433	Knife Lock Screw		
		10438	Disc		
		10441	Hex Key M3		

### Stretch Minishere

10328	Motor Adapter Flange
10329	Gear Case Adaptor Flange
10331	Motor Shaft
10333	Screw (Switch Box)
10334	Grip
10336D	Motor Shaft Housing Assembly
10352	Screw, Socket, Cone Pt.
10361	Switch Box
10362	Switch Box Bracket
10407B	Motor Assembly 110V
10409B	Motor Assembly 220V
10428A	Coupling
10717A	Switch
824T	Screw (Switch Box Bracket)