



# ATN200B-N

## 2.0 Megapixel Box IP Camera 1080P Resolution

### Features

- 2MP, 1/2.8" Sony ExmorCMOS sensor
- H.264 video compression and JPEG image capture
- Maximum resolution of 1080P @ 30fps
- Dual encoding streams supported
- Support ICR true Day/Night
- Support C/CS Auto Iris Lens
- Support IOS/Android/Windows Mobile view and control
- Built-in Web server, NVR, CMS

### Specification

<b>Camera</b>		<b>Encode Mode</b>	
<b>Image sensor</b>	2MP, 1/2.8" Sony ExmorCMOS sensor	<b>Video Compression</b>	32K~8Mbps
<b>core processor</b>	ARM9 Architecture processor	<b>code rate</b>	
<b>operating system</b>	Embedded LINUX	<b>Audio Compression</b>	8K~48Kbps
<b>Effective Pixels</b>	2 M	<b>code rate</b>	
<b>Image resolution</b>	Main stream: 1080P(1920*1080); Second stream:D1(704*576)	<b>Others</b>	
<b>Framerate</b>	PAL: 1080P@25 F/S NTSC: 1080P@30 F/S	<b>IE browser</b>	Web server
<b>WDR</b>	100db	<b>Mobile</b>	Support IOS/Android/WindowsMobile
<b>Electronic Shutter</b>	1/25S ~ 1/10000S	<b>Client</b>	≤ 8
<b>Mini. Illumination</b>	Color0.05 Lux @(F1.2, AGC ON) B/W0.01Lux @(F1.2, AGC ON); 0 Lux with IR	<b>Local storage</b>	Support MicroSD card, max 32G
<b>Day/Night</b>	ICR	<b>Network protocol</b>	TCP/UDP/HTTP/MULTICAST/UPnP/DHCP/PPPoE/DDNS/NFS/FTP/NTP/RTP/RTSP
<b>Videoparameters</b>	Contrast, brightness, saturation can be adjusted independently	<b>IP address</b>	Support static state IP address、DDNS
<b>Image processing</b>	Support 3D noise reduction, de-interlace, image enhancement, edge enhancement, backlight compensation, gamma adjustment	<b>OSD character</b>	Support character, time , support max 128 characters
<b>Lens</b>		<b>Authority</b>	4 level、128 users
<b>Lens interface type</b>	C/CS	<b>System clock</b>	Build-in clock, support external synchronization
<b>Interface</b>		<b>Remote management</b>	Remote network upgrade
<b>Video interface</b>	1Vp-p Composite Output ( 75 Ω/BNC )	<b>Intelligent alarm</b>	Motion detection, Port alarm
<b>Audio interface</b>	1 channel input; 1 channel output	<b>General</b>	
<b>Alarm interface</b>	1 channel input	<b>Operating Environment</b>	-30°C ~ 60°C, 0 ~ 95% RHG
<b>Network Port</b>	10/100MEthernet interface RJ45	<b>Power Supply</b>	DC 12V±10%
<b>Protocol</b>	Onvif	<b>Power Consumption</b>	5 W
<b>Encode Mode</b>		<b>Dimension</b>	145mm×71mm×58mm
<b>Video Compression</b>	H.264/MJPEG	<b>Weight</b>	0.6 Kg
<b>Audio Compression</b>	G.711/G.726/ADPCM		
<b>Encode type</b>	BaseLine Profile/ Main Profile		



# ATN130B-N

1.3 Megapixel Box IP Camera  
960P Resolution

## Features

- 1.3 Megapixel 1/3" NIR CMOS Image sensor
- H.264 video compression and JPEG image capture
- Maximum resolution of 960P @ 30fps
- Dual encoding streams supported
- Support ICR true Day/Night
- Support C/CS Auto Iris Lens
- Support IOS/Android/Windows Mobile view and control
- Built-in Web server, NVR, CMS

## Specification

Camera		Encode Mode	
<b>Image sensor</b>	1.3 MP 1/3" Super Low-Lux CMOS sensor	<b>Video Compression</b>	32K~8Mbps
<b>core processor</b>	ARM9 Architecture processor	<b>code rate</b>	
<b>operating system</b>	Embedded LINUX	<b>Audio Compression</b>	8K~48Kbps
<b>Effective Pixels</b>	1.3 M	<b>code rate</b>	
<b>Image resolution</b>	Main stream: 960P(1280*960); Second stream:D1(704*576)	<b>Others</b>	
<b>Framerate</b>	PAL: 960P@25 F/S NTSC: 960P@30 F/S	<b>IE browser</b>	Web server
<b>WDR</b>	100db	<b>Mobile</b>	Support IOS/Android/WindowsMobile
<b>Electronic Shutter</b>	1/25S ~ 1/10000S	<b>Client</b>	≤ 8
<b>Mini. Illumination</b>	Color0.05 Lux @(F1.2, AGC ON) B/W0.01Lux @(F1.2, AGC ON); 0 Lux with IR	<b>Local storage</b>	Support MicroSD card, max 32G
<b>Day/Night</b>	ICR	<b>Network protocol</b>	TCP/UDP/HTTP/MULTICAST/UPnP/DHCP/PPPoE/DDNS/NFS/FTP/NTP/RTP/RTSP
<b>Videoparameters</b>	Contrast, brightness, saturation can be adjusted independently	<b>IP address</b>	Support static state IP address、DDNS
<b>Image processing</b>	Support 3D noise reduction, de-interlace, image enhancement, edge enhancement, backlight compensation, gamma adjustment	<b>OSD character</b>	Support character, time , support max 128 characters
<b>Lens</b>		<b>Authority</b>	4 level、128 users
<b>Lens interface type</b>	C/CS	<b>System clock</b>	Build-in clock, support external synchronization
<b>Interface</b>		<b>Remote management</b>	Remote network upgrade
<b>Video interface</b>	1Vp-p Composite Output ( 75 Ω/BNC )	<b>Intelligent alarm</b>	Motion detection, Port alarm
<b>Audio interface</b>	1 channel input; 1 channel output	<b>General</b>	
<b>Alarm interface</b>	1 channel input	<b>Operating Environment</b>	-30°C ~ 60°C, 0 ~ 95% RHG
<b>Network Port</b>	10/100MEthernet interface RJ45	<b>Power Supply</b>	DC 12V±10%
<b>Protocol</b>	Onvif	<b>Power Consumption</b>	5 W
<b>Encode Mode</b>		<b>Dimension</b>	145mm×71mm×58mm
<b>Video Compression</b>	H.264/MJPEG	<b>Weight</b>	0.6 Kg
<b>Audio Compression</b>	G.711/G.726/ADPCM		
<b>Encode type</b>	BaseLine Profile/ Main Profile		



# ATN200T-V3-IR30

## 2.0 Megapixel IR Bullet IP Camera

### 1080P Resolution

### Features

- 2MP, 1/2.8" Sony ExmorCMOS sensor
- H.264 video compression and JPEG image capture
- Maximum resolution of 1080P @ 30fps
- Dual encoding streams supported
- 2.8-12mm HD Manual Zoom lens, ICR dual filter switch
- 30-50m IR distance
- Support IOS/Android/Windows Mobile view and control
- Built-in Web server, NVR, CMS
- IP66 waterproof; POE power input

### Specification

Camera		Encode Mode	
<b>Image sensor</b>	2MP, 1/2.8" Sony ExmorCMOS sensor	<b>Video Compression</b>	H.264/MJPEG
<b>core processor</b>	ARM9 Architecture processor	<b>Audio Compression</b>	G.711/G.726/ADPCM
<b>operating system</b>	Embedded LINUX	<b>Encode type</b>	BaseLine Profile/ Main Profile
<b>Effective Pixels</b>	2M	<b>Video Compression</b>	32K~8Mbps
<b>Image resolution</b>	Main stream: 1080P(1920*1080); Second stream:D1(704*576)	<b>code rate</b>	
<b>Framerate</b>	PAL: 1080P@25 F/S NTSC: 1080P@30 F/S	<b>Audio Compression</b>	8K~48Kbps
<b>WDR</b>	100db	<b>code rate</b>	
<b>Electronic Shutter</b>	1/25S ~ 1/10000S	Others	
<b>Mini. Illumination</b>	Color0.05 Lux @(F1.2, AGC ON) B/W0.01Lux @(F1.2, AGC ON); 0 Lux with IR	<b>IE browser</b>	Web server
<b>Aperture</b>	DC drive	<b>Mobile</b>	Support IOS/Android/WindowsMobile
<b>Day/Night</b>	ICR	<b>Client</b>	≤ 8
<b>Videoparameters</b>	Contrast, brightness, saturation can be adjusted independently	<b>Local-storage</b>	Support USB extend , upto 32G
<b>Image processing</b>	Support 3D noise reduction, de-interlace, image enhancement, edge enhancement, backlight compensation, gamma adjustment	<b>Network protocol</b>	TCP/UDP/HTTP/MULTICAST/UPnP/DHCP/PPPoE/DDNS/NFS/FTP/NTP/RTP/RTSP
Lens		<b>IP address</b>	Support static state IP address、 DDNS
<b>Lens Mount</b>	2.8-12mm Manual Zoom lens	<b>OSD charactor</b>	Support character, time , support max 128 characters
<b>Lens interface type</b>	M12	<b>Authority</b>	4 level、 128 users
IR LEDs		<b>System clock</b>	Build-in clock, support external synchronization
<b>IR distance</b>	30-50M	<b>Remote</b>	Remote network upgrade
<b>IR Lens</b>	2pcs 3rd generation IR array LEDs	<b>magement</b>	
Interface		<b>Intelligent alarm</b>	Motion detection, Port alarm
<b>Audio interface</b>	1 channel input; 1 channel output	General	
<b>Alarm interface</b>	1 channel input	<b>Ingress Protection</b>	IP66
<b>Network Port</b>	10/100MEthernet interface RJ45	<b>Operating</b>	-30°C ~ 60°C, 0 ~ 95% RHG
<b>Protocol</b>	Onvif	<b>Environment</b>	
		<b>Power Supply</b>	DC 12V±10%
		<b>Power Consumption</b>	5 W (LED OFF)/ 11 W ( LED ON )
		<b>Dimension</b>	220mm×93mm×85mm
		<b>Weight</b>	0.8 Kg



# ATN200T-V7-IR50

## 2.0 Megapixel IR Bullet IP Camera 1080P Resolution

### Features

- 2MP, 1/2.8" Sony ExmorCMOS sensor
- H.264 video compression and JPEG image capture
- Maximum resolution of 1080P @ 30fps
- Dual encoding streams supported
- 7-22mm HD Manual Zoom lens, ICR dual filter switch
- 50-80m IR distance
- Support IOS/Android/Windows Mobile view and control
- Built-in Web server, NVR, CMS
- IP66 waterproof; POE power input

### Specification

Camera		Encode Mode	
<b>Image sensor</b>	2MP, 1/2.8" Sony ExmorCMOS sensor	<b>Video Compression</b>	H.264/MJPEG
<b>core processor</b>	ARM9 Architecture processor	<b>Audio Compression</b>	G.711/G.726/ADPCM
<b>operating system</b>	Embedded LINUX	<b>Encode type</b>	BaseLine Profile/ Main Profile
<b>Effective Pixels</b>	2M	<b>Video Compression</b>	32K~8Mbps
<b>Image resolution</b>	Main stream: 1080P(1920*1080); Second stream:D1(704*576)	<b>code rate</b>	
<b>Framerate</b>	PAL: 1080P@25 F/S NTSC: 1080P@30 F/S	<b>Audio Compression</b>	8K~48Kbps
<b>WDR</b>	100db	<b>code rate</b>	
<b>Electronic Shutter</b>	1/25S ~ 1/10000S	<b>Others</b>	
<b>Mini. Illumination</b>	Color0.05 Lux @(F1.2, AGC ON) B/W0.01Lux @(F1.2, AGC ON); 0 Lux with IR	<b>IE browser</b>	Web server
<b>Aperture</b>	DC drive	<b>Mobile</b>	Support IOS/Android/WindowsMobile
<b>Day/Night</b>	ICR	<b>Client</b>	≤ 8
<b>Videoparameters</b>	Contrast, brightness, saturation can be adjusted independently	<b>Local-storage</b>	Support USB extend , upto 32G
<b>Image processing</b>	Support 3D noise reduction, de-interlace, image enhancement, edge enhancement, backlight compensation, gamma adjustment	<b>Network protocol</b>	TCP/UDP/HTTP/MULTICAST/UPnP/DHCP/PPPoE/DDNS/NFS/FTP/NTP/RTP/RTSP
<b>Lens</b>		<b>IP address</b>	Support static state IP address、DDNS
<b>Lens Mount</b>	7-22mm Manual Zoom lens	<b>OSD charactor</b>	Support character, time , support max 128 characters
<b>Lens interface type</b>	M12	<b>Authority</b>	4 level、128 users
<b>IR LEDs</b>		<b>System clock</b>	Build-in clock, support external synchronization
<b>IR distance</b>	50-80M	<b>Remote</b>	Remote network upgrade
<b>IR Lens</b>	2pcs 3rd generation IR array LEDs	<b>magement</b>	
<b>Interface</b>		<b>Intelligent alarm</b>	Motion detection, Port alarm
<b>Audio interface</b>	1 channel input; 1 channel output	<b>General</b>	
<b>Alarm interface</b>	1 channel input	<b>Ingress Protection</b>	IP66
<b>Network Port</b>	10/100MEthernet interface RJ45	<b>Operating</b>	-30°C ~ 60°C, 0 ~ 95% RHG
<b>Protocol</b>	Onvif	<b>Environment</b>	
		<b>Power Supply</b>	DC 12V±10%
		<b>Power Consumption</b>	5 W (LED OFF)/ 11 W ( LED ON )
		<b>Dimension</b>	220mm×93mm×85mm
		<b>Weight</b>	0.8 Kg



# ATN200T-F6-IR30

## 2.0 Megapixel IR Bullet IP Camera

### 1080P Resolution

### Features

- 2MP, 1/2.8" Sony ExmorCMOS sensor
- H.264 video compression and JPEG image capture
- Maximum resolution of 1080P @ 30fps
- Dual encoding streams supported
- 4mm/6mm/12mm HD fixed focus lens optional, ICR dual filter switch
- 30-50 meters effective IR distance
- Support IOS/Android/Windows Mobile view and control
- Built-in Web server, NVR, CMS
- IP66 waterproof

### Specification

Camera		Encode Mode	
<b>Image sensor</b>	2MP, 1/2.8" Sony ExmorCMOS sensor	<b>Video Compression</b>	H.264/MJPEG
<b>core processor</b>	ARM9 Architecture processor	<b>Audio Compression</b>	G.711/G.726/ADPCM
<b>operating system</b>	Embedded LINUX	<b>Encode type</b>	BaseLine Profile/ Main Profile
<b>Effective Pixels</b>	2M	<b>Video Compression</b>	32K~8Mbps
<b>Image resolution</b>	Main stream: 1080P(1920*1080); Second stream:D1(704*576)	<b>code rate</b>	
<b>Framerate</b>	PAL: 1080P@25 F/S NTSC: 1080P@30 F/S	<b>Audio Compression</b>	8K~48Kbps
<b>WDR</b>	100db	<b>code rate</b>	
<b>Electronic Shutter</b>	1/25S ~ 1/10000S	Others	
<b>Mini. Illumination</b>	Color0.05 Lux @(F1.2, AGC ON) B/W0.01Lux @(F1.2, AGC ON); 0 Lux with IR	<b>IE browser</b>	Web server
<b>Day/Night</b>	ICR	<b>Mobile</b>	Support IOS/Android/WindowsMobile
<b>Videoparameters</b>	Contrast, brightness, saturation can be adjusted independently	<b>Client</b>	≤ 8
<b>Image processing</b>	Support 3D noise reduction, de-interlace, image enhancement, edge enhancement, backlight compensation, gamma adjustment	<b>Network protocol</b>	TCP/UDP/HTTP/MULTICAST/UPnP/DHCP/PPPoE/DDNS/NFS/FTP/NTP/RTP/RTSP
Lens		<b>IP address</b>	Support static state IP address、DDNS
<b>Lens Mount</b>	4mm fixed focus lens/6mm fixed focus lens/12mm fixed focus lens	<b>OSD charactor</b>	Support character, time , support max 128 charactors
<b>Lens interface type</b>	M12	<b>Authority</b>	4 level、128 users
IR LEDs		<b>System clock</b>	Build-in clock, support external synchronization
<b>IR distance</b>	30-50M	<b>Remote</b>	Remote network upgrade
<b>IR Lens</b>	2pcs 3rd generation IR array LEDs	<b>management</b>	
Interface		<b>Intelligent alarm</b>	Motion detection, Port alarm
<b>Network Port</b>	10/100MEthernet interface RJ45	General	
<b>Protocol</b>	Onvif	<b>Ingress Protection</b>	IP66
		<b>Operating</b>	-30°C ~ 60°C, 0 ~ 95% RHG
		<b>Environment</b>	
		<b>Power Supply</b>	DC 12V±10%
		<b>Power Consumption</b>	5 W (LED OFF)/ 11 W ( LED ON )
		<b>Dimension</b>	185mm×92mm×85mm
		<b>Weight</b>	0.8 Kg



# ATN201T-VA-IR120

## 2.0 Megapixel IR Bullet IP Camera 1080P Resolution

### Features

- 2MP, 1/2.8" Sony ExmorCMOS sensor
- H.264 video compression and JPEG image capture
- Maximum resolution of 1080P @ 30fps
- Dual encoding streams supported
- 7-50mm 3Megapixel Manual Zoom lens, ICR dual filter switch
- 120m IR distance
- Support IOS/Android/Windows Mobile view and control
- Built-in Web server, NVR, CMS
- IP68 waterproof

### Specification

Camera		Encode Mode	
<b>Image sensor</b>	2MP, 1/2.8" Sony ExmorCMOS sensor	<b>Video Compression</b>	H.264/MJPEG
<b>core processor</b>	ARM9 Architecture processor	<b>Audio Compression</b>	G.711/G.726/ADPCM
<b>operating system</b>	Embedded LINUX	<b>Encode type</b>	BaseLine Profile/ Main Profile
<b>Effective Pixels</b>	2M	<b>Video Compression</b>	32K~8Mbps
<b>Image resolution</b>	Main stream: 1080P(1920*1080); Second stream:D1(704*576)	<b>code rate</b>	
<b>Framerate</b>	PAL: 1080P@25 F/S NTSC: 1080P@30 F/S	<b>Audio Compression</b>	8K~48Kbps
<b>WDR</b>	100db	<b>code rate</b>	
<b>Electronic Shutter</b>	1/25S ~ 1/10000S	<b>Others</b>	
<b>Mini. Illumination</b>	Color0.05 Lux @(F1.2, AGC ON) B/W0.01Lux @(F1.2, AGC ON); 0 Lux with IR	<b>IE browser</b>	Web server
<b>Aperture</b>	DC drive	<b>Mobile</b>	Support IOS/Android/WindowsMobile
<b>Day/Night</b>	ICR	<b>Client</b>	≤ 8
<b>Videoparameters</b>	Contrast, brightness, saturation can be adjusted independently	<b>Local-storage</b>	Support USB extend , upto 32G
<b>Image processing</b>	Support 3D noise reduction, de-interlace, image enhancement, edge enhancement, backlight compensation, gamma adjustment	<b>Network protocol</b>	TCP/UDP/HTTP/MULTICAST/UPnP/DHCP/ PPPoE/DDNS/NFS/FTP/NTP/RTP/RTSP
<b>Lens</b>		<b>IP address</b>	Support static state IP address、 DDNS
<b>Lens Mount</b>	7-50mm Manual Zoom lens	<b>OSD charactor</b>	Support character, time , support max 128 characters
<b>Lens interface type</b>	CS Mount	<b>Authority</b>	4 level、 128 users
<b>IR LEDs</b>		<b>System clock</b>	Build-in clock, support external synchronization
<b>IR distance</b>	120M	<b>Remote</b>	Remote network upgrade
<b>IR Lens</b>	12pcs High power IR LEDs	<b>magement</b>	
<b>Interface</b>		<b>Intelligent alarm</b>	Motion detection, Port alarm
<b>Audio interface</b>	1 channel input; 1 channel output	<b>General</b>	
<b>Alarm interface</b>	1 channel input	<b>Ingress Protection</b>	IP68
<b>Network Port</b>	10/100MEthernet interface RJ45	<b>Operating</b>	-30°C ~ 60°C, 0 ~ 95% RHG
<b>Protocol</b>	Onvif	<b>Environment</b>	
		<b>Power Supply</b>	AC 90-240V (+/- 10%) OR AC 24V(+/- 10%)
		<b>Power Consumption</b>	60 W Max
		<b>Dimension</b>	425mm×160mm×165mm
		<b>Weight</b>	6.0 Kg





# ATN130T-V3-IR30

## 1.3 Megapixel IR Bullet IP Camera 960P Resolution

### Features

- 1.3 Megapixel 1/3" NIR CMOS Image sensor
- H.264 video compression and JPEG image capture
- Maximum resolution of 960P @ 30fps
- Dual encoding streams supported
- 2.8-12mm HD Manual Zoom lens, ICR dual filter switch
- 30-50m IR distance
- Support IOS/Android/Windows Mobile view and control
- Built-in Web server, NVR, CMS
- IP66 waterproof

### Specification

Camera		Encode Mode	
<b>Image sensor</b>	1.3 MP 1/3" Super Low-Lux CMOS sensor	<b>Video Compression</b>	H.264/MJPEG
<b>core processor</b>	ARM9 Architecture processor	<b>Audio Compression</b>	G.711/G.726/ADPCM
<b>operating system</b>	Embedded LINUX	<b>Encode type</b>	BaseLine Profile/ Main Profile
<b>Effective Pixels</b>	1.3M	<b>Video Compression</b>	32K~8Mbps
<b>Image resolution</b>	Main stream: 960P(1280*960); Second stream:D1(704*576)	<b>code rate</b>	
<b>Framerate</b>	PAL: 960P@25 F/S NTSC: 960P@30 F/S	<b>Audio Compression</b>	8K~48Kbps
<b>WDR</b>	100db	<b>code rate</b>	
<b>Electronic Shutter</b>	1/25S ~ 1/10000S	Others	
<b>Mini. Illumination</b>	Color0.05 Lux @(F1.2, AGC ON) B/W0.01Lux @(F1.2, AGC ON); 0 Lux with IR	<b>IE browser</b>	Web server
<b>Aperture</b>	DC drive	<b>Mobile</b>	Support IOS/Android/WindowsMobile
<b>Day/Night</b>	ICR	<b>Client</b>	≤ 8
<b>Videoparameters</b>	Contrast, brightness, saturation can be adjusted independently	<b>Local-storage</b>	Support USB extend , upto 32G
<b>Image processing</b>	Support 3D noise reduction, de-interlace, image enhancement, edge enhancement, backlight compensation, gamma adjustment	<b>Network protocol</b>	TCP/UDP/HTTP/MULTICAST/UPnP/DHCP/PPPoE/DDNS/NFS/FTP/NTP/RTP/RTSP
Lens		<b>IP address</b>	Support static state IP address、DDNS
<b>Lens Mount</b>	2.8-12mm Manual Zoom lens	<b>OSD character</b>	Support character, time , support max 128 characters
<b>Lens interface type</b>	M12	<b>Authority</b>	4 level、128 users
IR LEDs		<b>System clock</b>	Build-in clock, support external synchronization
<b>IR distance</b>	30-50M	<b>Remote</b>	Remote network upgrade
<b>IR Lens</b>	2pcs 3rd generation IR array LEDs	<b>management</b>	
Interface		<b>Intelligent alarm</b>	Motion detection, Port alarm
<b>Audio interface</b>	1 channel input; 1 channel output	General	
<b>Alarm interface</b>	1 channel input	<b>Ingress Protection</b>	IP66
<b>Network Port</b>	10/100MEthernet interface RJ45	<b>Operating</b>	-30°C ~ 60°C, 0 ~ 95% RHG
<b>Protocol</b>	Onvif	<b>Environment</b>	
		<b>Power Supply</b>	DC 12V±10%
		<b>Power Consumption</b>	5 W (LED OFF)/ 11 W ( LED ON )
		<b>Dimension</b>	220mm×93mm×85mm
		<b>Weight</b>	0.5 Kg



# ATN130T-V7-IR50

## 1.3 Megapixel IR Bullet IP Camera 960P Resolution

### Features

- 1.3 Megapixel 1/3" NIR CMOS Image sensor
- H.264 video compression and JPEG image capture
- Maximum resolution of 960P @ 30fps
- Dual encoding streams supported
- 7-22mm HD Manual Zoom lens, ICR dual filter switch
- 50-80m IR distance
- Support IOS/Android/Windows Mobile view and control
- Built-in Web server, NVR, CMS
- IP66 waterproof

### Specification

Camera		Encode Mode	
<b>Image sensor</b>	1.3 MP 1/3" Super Low-Lux CMOS sensor	<b>Video Compression</b>	H.264/MJPEG
<b>core processor</b>	ARM9 Architecture processor	<b>Audio Compression</b>	G.711/G.726/ADPCM
<b>operating system</b>	Embedded LINUX	<b>Encode type</b>	BaseLine Profile/ Main Profile
<b>Effective Pixels</b>	1.3M	<b>Video Compression</b>	32K~8Mbps
<b>Image resolution</b>	Main stream: 960P(1280*960); Second stream:D1(704*576)	<b>code rate</b>	
<b>Framerate</b>	PAL: 960P@25 F/S NTSC: 960P@30 F/S	<b>Audio Compression</b>	8K~48Kbps
<b>WDR</b>	100db	<b>code rate</b>	
<b>Electronic Shutter</b>	1/25S ~ 1/10000S	Others	
<b>Mini. Illumination</b>	Color0.05 Lux @(F1.2, AGC ON) B/W0.01Lux @(F1.2, AGC ON); 0 Lux with IR	<b>IE browser</b>	Web server
<b>Aperture</b>	DC drive	<b>Mobile</b>	Support IOS/Android/WindowsMobile
<b>Day/Night</b>	ICR	<b>Client</b>	≤ 8
<b>Videoparameters</b>	Contrast, brightness, saturation can be adjusted independently	<b>Local-storage</b>	Support USB extend , upto 32G
<b>Image processing</b>	Support 3D noise reduction, de-interlace, image enhancement, edge enhancement, backlight compensation, gamma adjustment	<b>Network protocol</b>	TCP/UDP/HTTP/MULTICAST/UPnP/DHCP/ PPPoE/DDNS/NFS/FTP/NTP/RTP/RTSP
Lens		<b>IP address</b>	Support static state IP address、 DDNS
<b>Lens Mount</b>	7-22mm Manual Zoom lens	<b>OSD character</b>	Support character, time , support max 128 characters
<b>Lens interface type</b>	M12	<b>Authority</b>	4 level、 128 users
IR LEDs		<b>System clock</b>	Build-in clock, support external synchronization
<b>IR distance</b>	50-80M	<b>Remote</b>	Remote network upgrade
<b>IR Lens</b>	2pcs 3rd generation IR array LEDs	<b>mangement</b>	
Interface		<b>Intelligent alarm</b>	Motion detection, Port alarm
<b>Audio interface</b>	1 channel input; 1 channel output	General	
<b>Alarm interface</b>	1 channel input	<b>Ingress Protection</b>	IP66
<b>Network Port</b>	10/100MEthernet interface RJ45	<b>Operating</b>	-30°C ~ 60°C, 0 ~ 95% RHG
<b>Protocol</b>	Onvif	<b>Environment</b>	
		<b>Power Supply</b>	DC 12V±10%
		<b>Power Consumption</b>	5 W (LED OFF)/ 11 W ( LED ON )
		<b>Dimension</b>	220mm×93mm×85mm
		<b>Weight</b>	0.5 Kg





# ATN130T-F6-IR30

## 1.3 Megapixel IR Bullet IP Camera 960P Resolution

### Features

- 1.3 Megapixel 1/3" NIR CMOS Image sensor
- H.264 video compression and JPEG image capture
- Maximum resolution of 960P @ 30fps
- Dual encoding streams supported
- 4mm/6mm/12mm HD fixed focus lens optional, ICR dual filter switch
- 30-50 meters effective IR distance
- Support IOS/Android/Windows Mobile view and control
- Built-in Web server, NVR, CMS
- IP66 waterproof

### Specification

Camera		Encode Mode	
<b>Image sensor</b>	1.3 MP 1/3" Super Low-Lux CMOS sensor	<b>Video Compression</b>	H.264/MJPEG
<b>core processor</b>	ARM9 Architecture processor	<b>Audio Compression</b>	G.711/G.726/ADPCM
<b>operating system</b>	Embedded LINUX	<b>Encode type</b>	BaseLine Profile/ Main Profile
<b>Effective Pixels</b>	1.3 M	<b>Video Compression</b>	32K~8Mbps
<b>Image resolution</b>	Main stream: 960P(1280*960); Second stream:D1(704*576)	<b>code rate</b>	
<b>Framerate</b>	PAL: 960P@25 F/S NTSC: 960P@30 F/S	<b>Audio Compression</b>	8K~48Kbps
<b>WDR</b>	100db	<b>code rate</b>	
<b>Electronic Shutter</b>	1/25S ~ 1/10000S	Others	
<b>Mini. Illumination</b>	Color0.05 Lux @(F1.2, AGC ON) B/W0.01Lux @(F1.2, AGC ON); 0 Lux with IR	<b>IE browser</b>	Web server
<b>Day/Night</b>	ICR	<b>Mobile</b>	Support IOS/Android/WindowsMobile
<b>Videoparameters</b>	Contrast, brightness, saturation can be adjusted independently	<b>Client</b>	≤ 8
<b>Image processing</b>	Support 3D noise reduction, de-interlace, image enhancement, edge enhancement, backlight compensation, gamma adjustment	<b>Network protocol</b>	TCP/UDP/HTTP/MULTICAST/UPnP/DHCP/PPPoE/DDNS/NFS/FTP/NTP/RTP/RTSP
Lens		<b>IP address</b>	Support static state IP address、DDNS
<b>Lens Mount</b>	4mm fixed focus lens/6mm fixed focus lens/12mm fixed focus lens	<b>OSD charactor</b>	Support character, time , support max 128 charactors
<b>Lens interface type</b>	M12	<b>Authority</b>	4 level、128 users
IR LEDs		<b>System clock</b>	Build-in clock, support external synchronization
<b>IR distance</b>	30-50M	<b>Remote</b>	Remote network upgrade
<b>IR Lens</b>	2pcs 3rd generation IR array LEDs	<b>management</b>	
Interface		<b>Intelligent alarm</b>	Motion detection, Port alarm
<b>Network Port</b>	10/100MEthernet interface RJ45	General	
<b>Protocol</b>	Onvif	<b>Ingress Protection</b>	IP66
		<b>Operating</b>	-30°C ~ 60°C, 0 ~ 95% RHG
		<b>Environment</b>	
		<b>Power Supply</b>	DC 12V±10%
		<b>Power Consumption</b>	5 W (LED OFF)/ 11 W ( LED ON )
		<b>Dimension</b>	185mm×92mm×85mm
		<b>Weight</b>	0.5 Kg



# ATN131T-VA-IR120

## 1.3 Megapixel IR Bullet IP Camera 960P Resolution

### Features

- 1.3 Megapixel 1/3" NIR CMOS Image sensor
- H.264 video compression and JPEG image capture
- Maximum resolution of 960P @ 30fps
- Dual encoding streams supported
- 7-50mm 3Megapixel Manual Zoom lens, ICR dual filter switch
- 120m IR distance
- Support IOS/Android/Windows Mobile view and control
- Built-in Web server, NVR, CMS
- IP68 waterproof

### Specification

Camera		Encode Mode	
<b>Image sensor</b>	1.3 MP 1/3" Super Low-Lux CMOS sensor	<b>Video Compression</b>	H.264/MJPEG
<b>core processor</b>	ARM9 Architecture processor	<b>Audio Compression</b>	G.711/G.726/ADPCM
<b>operating system</b>	Embedded LINUX	<b>Encode type</b>	BaseLine Profile/ Main Profile
<b>Effective Pixels</b>	1.3M	<b>Video Compression</b>	32K~8Mbps
<b>Image resolution</b>	Main stream: 960P(1280*960); Second stream:D1(704*576)	<b>code rate</b>	
<b>Framerate</b>	PAL: 960P@25 F/S NTSC: 960P@30 F/S	<b>Audio Compression</b>	8K~48Kbps
<b>WDR</b>	100db	<b>code rate</b>	
<b>Electronic Shutter</b>	1/25S ~ 1/10000S	Others	
<b>Mini. Illumination</b>	Color0.05 Lux @(F1.2, AGC ON) B/W0.01Lux @(F1.2, AGC ON); 0 Lux with IR	<b>IE browser</b>	Web server
<b>Aperture</b>	DC drive	<b>Mobile</b>	Support IOS/Android/WindowsMobile
<b>Day/Night</b>	ICR	<b>Client</b>	≤ 8
<b>Videoparameters</b>	Contrast, brightness, saturation can be adjusted independently	<b>Local-storage</b>	Support USB extend , upto 32G
<b>Image processing</b>	Support 3D noise reduction, de-interlace, image enhancement, edge enhancement, backlight compensation, gamma adjustment	<b>Network protocol</b>	TCP/UDP/HTTP/MULTICAST/UPnP/DHCP/PPPoE/DDNS/NFS/FTP/NTP/RTP/RTSP
Lens		<b>IP address</b>	Support static state IP address、DDNS
<b>Lens Mount</b>	7-50mm Manual Zoom lens	<b>OSD character</b>	Support character, time , support max 128 characters
<b>Lens interface type</b>	CS Mount	<b>Authority</b>	4 level、 128 users
IR LEDs		<b>System clock</b>	Build-in clock, support external synchronization
<b>IR distance</b>	120M	<b>Remote</b>	Remote network upgrade
<b>IR Lens</b>	12pcs high power IR LEDs	<b>management</b>	
Interface		<b>Intelligent alarm</b>	Motion detection, Port alarm
<b>Audio interface</b>	1 channel input; 1 channel output	General	
<b>Alarm interface</b>	1 channel input	<b>Ingress Protection</b>	IP68
<b>Network Port</b>	10/100MEthernet interface RJ45	<b>Operating</b>	-30°C ~ 60°C, 0 ~ 95% RHG
<b>Protocol</b>	Onvif	<b>Environment</b>	
		<b>Power Supply</b>	AC 90-240V (+/- 10%) OR AC 24V(+/- 10%)
		<b>Power Consumption</b>	60 W Max
		<b>Dimension</b>	425mm×160mm×165mm
		<b>Weight</b>	6.0 Kg



# ATN200D-V2-IR30

## 2.0 Megapixel IR Dome IP Camera

### 1080P Resolution

### Features

- 2MP, 1/2.8" Sony ExmorCMOS sensor
- H.264 video compression and JPEG image capture
- Maximum resolution of 1080P @ 30fps
- Dual encoding streams supported
- 2.8mm-10mm HD varifocal lens, ICR dual filter switch
- 30-50 meters effective IR distance
- Support IOS/Android/Windows Mobile view and control
- Built-in Web server, NVR, CMS
- POE power input

### Specification

Camera		Encode Mode	
<b>Image sensor</b>	2MP, 1/2.8" Sony ExmorCMOS sensor	<b>Video Compression</b>	H.264/MJPEG
<b>core processor</b>	ARM9 Architecture processor	<b>Audio Compression</b>	G.711/G.726/ADPCM
<b>operating system</b>	Embedded LINUX	<b>Encode type</b>	BaseLine Profile/ Main Profile
<b>Effective Pixels</b>	2 M	<b>Video Compression</b>	32K~8Mbps
<b>Image resolution</b>	Main stream: 1080P(1920*1080); Second stream:D1(704*576)	<b>code rate</b>	
<b>Framerate</b>	PAL: 1080P@25 F/S NTSC: 1080P@30 F/S	<b>Audio Compression</b>	8K~48Kbps
<b>WDR</b>	100db	<b>code rate</b>	
<b>Electronic Shutter</b>	1/25S ~ 1/10000S	<b>Others</b>	
<b>Mini. Illumination</b>	Color0.05 Lux @(F1.2, AGC ON) B/W0.01Lux @(F1.2, AGC ON); 0 Lux with IR	<b>IE browser</b>	Web server
<b>Aperture</b>	DC drive	<b>Mobile</b>	Support IOS/Android/WindowsMobile
<b>Day/Night</b>	ICR	<b>Client</b>	≤ 8
<b>Videoparameters</b>	Contrast, brightness, saturation can be adjusted independently	<b>Local storage</b>	Support MicroSD card, max 32G
<b>Image processing</b>	Support 3D noise reduction, de-interlace, image enhancement, edge enhancement, backlight compensation, gamma adjustment	<b>Network protocol</b>	TCP/UDP/HTTP/MULTICAST/UPnP/DHCP/PPPoE/DDNS/NFS/FTP/NTP/RTP/RTSP
<b>Lens</b>		<b>IP address</b>	Support static state IP address、DDNS
<b>Lens Mount</b>	2.8-10mm Manual zoom lens	<b>OSD charactor</b>	Support character, time , support max 128 characters
<b>Lens interface type</b>	M12	<b>Authority</b>	4 level、128 users
<b>IR LEDs</b>		<b>System clock</b>	Build-in clock, support external synchronization
<b>IR distance</b>	30-50M	<b>Remote</b>	Remote network upgrade
<b>IR Lens</b>	31pcs φ 5 IR array LEDs	<b>management</b>	
<b>Interface</b>		<b>Intelligent alarm</b>	Motion detection, Port alarm
<b>Audio interface</b>	1 channel input; 1 channel output	<b>General</b>	
<b>Alarm interface</b>	1 channel input	<b>Operating</b>	-30°C ~ 60°C, 0 ~ 95% RHG
<b>Network Port</b>	10/100MEthernet interface RJ45	<b>Environment</b>	
<b>Protocol</b>	Onvif	<b>Power Supply</b>	DC 12V±10%/POE
		<b>Power Consumption</b>	5 W (LED OFF)/ 11 W ( LED ON )
		<b>Dimension</b>	152mm×152mm×128mm
		<b>Weight</b>	1Kg



# ATN200D-F2-IR20

## 2.0 Megapixel IR Dome IP Camera

### 1080P Resolution

### Features

- 2MP, 1/2.8" Sony ExmorCMOS sensor
- H.264 video compression and JPEG image capture
- Maximum resolution of 1080P @ 30fps
- Dual encoding streams supported
- 2.8mm/4mm/6mm HD fixed focus lens optional, ICR dual filter switch
- 20-30 meters effective IR distance
- Support IOS/Android/Windows Mobile view and control
- Built-in Web server, NVR, CMS

### Specification

Camera		Encode Mode	
<b>Image sensor</b>	2MP, 1/2.8" Sony ExmorCMOS sensor	<b>Video Compression</b>	H.264/MJPEG
<b>core processor</b>	ARM9 Architecture processor	<b>Audio Compression</b>	G.711/G.726/ADPCM
<b>operating system</b>	Embedded LINUX	<b>Encode type</b>	BaseLine Profile/ Main Profile
<b>Effective Pixels</b>	2 M	<b>Video Compression</b>	32K~8Mbps
<b>Image resolution</b>	Main stream: 1080P(1920*1080); Second stream:D1(704*576)	<b>code rate</b>	
<b>Framerate</b>	PAL: 1080P@25 F/S NTSC: 1080P@30 F/S	<b>Audio Compression</b>	8K~48Kbps
<b>WDR</b>	100db	<b>code rate</b>	
<b>Electronic Shutter</b>	1/25S ~ 1/10000S	<b>Others</b>	
<b>Mini. Illumination</b>	Color0.05 Lux @(F1.2, AGC ON) B/W0.01Lux @(F1.2, AGC ON); 0 Lux with IR	<b>IE browser</b>	Web server
<b>Day/Night</b>	ICR	<b>Mobile</b>	Support IOS/Android/WindowsMobile
<b>Videoparameters</b>	Contrast, brightness, saturation can be adjusted independently	<b>Client</b>	≤ 8
<b>Image processing</b>	Support 3D noise reduction, de-interlace, image enhancement, edge enhancement, backlight compensation, gamma adjustment	<b>Network protocol</b>	TCP/UDP/HTTP/MULTICAST/UPnP/DHCP/PPPoE/DDNS/NFS/FTP/NTP/RTP/RTSP
<b>Lens</b>		<b>IP address</b>	Support static state IP address、DDNS
<b>Lens Mount</b>	2.8mm fixed focus lens/4mm fixed focus lens/6mm fixed focus lens	<b>OSD charactor</b>	Support character, time , support max 128 charactors
<b>Lens interface type</b>	M12	<b>Authority</b>	4 level、128 users
<b>IR LEDs</b>		<b>System clock</b>	Build-in clock, support external synchronization
<b>IR distance</b>	20-30M	<b>Remote management</b>	Remote network upgrade
<b>IR Lens</b>	1pcs 3rd generation IR array LEDs	<b>Intelligent alarm</b>	Motion detection, Port alarm
<b>Interface</b>		<b>General</b>	
<b>Network Port</b>	10/100MEthernet interface RJ45	<b>Operating Environment</b>	-30°C ~ 60°C, 0 ~ 95% RHG
<b>Protocol</b>	Onvif	<b>Power Supply</b>	DC 12V±10%
		<b>Power Consumption</b>	5 W (LED OFF)/ 11 W ( LED ON )
		<b>Dimension</b>	137mm×137mm×100mm
		<b>Weight</b>	0.5Kg



# ATN130D-V2-IR30

## 1.3 Megapixel IR Dome IP Camera 960P Resolution

### Features

- 1.3 Megapixel 1/3" NIR CMOS Image sensor
- H.264 video compression and JPEG image capture
- Maximum resolution of 960P @ 30fps
- Dual encoding streams supported
- 2.8mm-10mm HD varifocal lens, ICR dual filter switch
- 30-50 meters effective IR distance
- Support IOS/Android/Windows Mobile view and control
- Built-in Web server, NVR, CMS

### Specification

Camera		Encode Mode	
<b>Image sensor</b>	1.3 MP 1/3" Super Low-Lux CMOS sensor	<b>Video Compression</b>	H.264/MJPEG
<b>core processor</b>	ARM9 Architecture processor	<b>Audio Compression</b>	G.711/G.726/ADPCM
<b>operating system</b>	Embedded LINUX	<b>Encode type</b>	BaseLine Profile/ Main Profile
<b>Effective Pixels</b>	1.3 M	<b>Video Compression</b>	32K~8Mbps
<b>Image resolution</b>	Main stream: 960P(1280*960); Second stream:D1(704*576)	<b>code rate</b>	
<b>Framerate</b>	PAL: 960P@25 F/S NTSC: 960P@30 F/S	<b>Audio Compression</b>	8K~48Kbps
<b>WDR</b>	100db	<b>code rate</b>	
<b>Electronic Shutter</b>	1/25S ~ 1/10000S	Others	
<b>Mini. Illumination</b>	Color0.05 Lux @(F1.2, AGC ON) B/W0.01Lux @(F1.2, AGC ON); 0 Lux with IR	<b>IE browser</b>	Web server
<b>Aperture</b>	DC drive	<b>Mobile</b>	Support IOS/Android/WindowsMobile
<b>Day/Night</b>	ICR	<b>Client</b>	≤ 8
<b>Videoparameters</b>	Contrast, brightness, saturation can be adjusted independently	<b>Local storage</b>	Support USB expand, storage card support max 32G
<b>Image processing</b>	Support 3D noise reduction, de-interlace, image enhancement, edge enhancement, backlight compensation, gamma adjustment	<b>Network protocol</b>	TCP/UDP/HTTP/MULTICAST/UPnP/DHCP/PPPoE/DDNS/NFS/FTP/NTP/RTP/RTSP
Lens		<b>IP address</b>	Support static state IP address、DDNS
<b>Lens Mount</b>	2.8-10mm Manual zoom lens	<b>OSD charactor</b>	Support character, time , support max 128 characters
<b>Lens interface type</b>	M12	<b>Authority</b>	4 level、128 users
IR LEDs		<b>System clock</b>	Build-in clock, support external synchronization
<b>IR distance</b>	30-50M	<b>Remote</b>	Remote network upgrade
<b>IR Lens</b>	31pcs φ 5 IR array LEDs	<b>management</b>	
Interface		<b>Intelligent alarm</b>	Motion detection, Port alarm
<b>Audio interface</b>	1 channel input; 1 channel output	General	
<b>Alarm interface</b>	1 channel input	<b>Operating</b>	-10°C ~ 60°C, 0 ~ 95% RHG
<b>Network Port</b>	10/100MEthernet interface RJ45	<b>Environment</b>	
<b>Protocol</b>	Onvif	<b>Power Supply</b>	DC 12V±10%
		<b>Power Consumption</b>	5 W (LED OFF)/ 11 W ( LED ON )
		<b>Dimension</b>	152mm×152mm×128mm
		<b>Weight</b>	1Kg



# ATN130D-F2-IR20

## 1.3 Megapixel IR Dome IP Camera 960P Resolution

### Features

- 1.3 Megapixel 1/3" NIR CMOS Image sensor
- H.264 video compression and JPEG image capture
- Maximum resolution of 960P @ 30fps
- Dual encoding streams supported
- 2.8mm/4mm/6mm HD fixed focus lens optional, ICR dual filter switch
- 20-30 meters effective IR distance
- Support IOS/Android/Windows Mobile view and control
- Built-in Web server, NVR, CMS

### Specification

<b>Camera</b>		<b>Encode Mode</b>	
<b>Image sensor</b>	1.3 MP 1/3" Super Low-Lux CMOS sensor	<b>Video Compression</b>	H.264/MJPEG
<b>core processor</b>	ARM9 Architecture processor	<b>Audio Compression</b>	G.711/G.726/ADPCM
<b>operating system</b>	Embedded LINUX	<b>Encode type</b>	BaseLine Profile/ Main Profile
<b>Effective Pixels</b>	1.3 M	<b>Video Compression</b>	32K~8Mbps
<b>Image resolution</b>	Main stream: 960P(1280*960); Second stream:D1(704*576)	<b>code rate</b>	
<b>Framerate</b>	PAL: 960P@25 F/S NTSC: 960P@30 F/S	<b>Audio Compression</b>	8K~48Kbps
<b>WDR</b>	100db	<b>code rate</b>	
<b>Electronic Shutter</b>	1/25S ~ 1/10000S	<b>Others</b>	
<b>Mini. Illumination</b>	Color0.05 Lux @(F1.2, AGC ON) B/W0.01Lux @(F1.2, AGC ON); 0 Lux with IR	<b>IE browser</b>	Web server
<b>Day/Night</b>	ICR	<b>Mobile</b>	Support IOS/Android/WindowsMobile
<b>Videoparameters</b>	Contrast, brightness, saturation can be adjusted independently	<b>Client</b>	≤ 8
<b>Image processing</b>	Support 3D noise reduction, de-interlace, image enhancement, edge enhancement, backlight compensation, gamma adjustment	<b>Network protocol</b>	TCP/UDP/HTTP/MULTICAST/UPnP/DHCP/PPPoE/DDNS/NFS/FTP/NTP/RTP/RTSP
<b>Lens</b>		<b>IP address</b>	Support static state IP address, DDNS
<b>Lens Mount</b>	2.8mm fixed focus lens/4mm fixed focus lens/6mm fixed focus lens	<b>OSD charactor</b>	Support character, time , support max 128 characters
<b>Lens interface type</b>	M12	<b>Authority</b>	4 level、128 users
<b>IR LEDs</b>		<b>System clock</b>	Build-in clock, support external synchronization
<b>IR distance</b>	20-30M	<b>Remote management</b>	Remote network upgrade
<b>IR Lens</b>	1pcs 3rd generation IR array LEDs	<b>Intelligent alarm</b>	Motion detection, Port alarm
<b>Interface</b>		<b>General</b>	
<b>Network Port</b>	10/100MEthernet interface RJ45	<b>Operating Environment</b>	-30°C ~ 60°C, 0 ~ 95% RHG
<b>Protocol</b>	Onvif	<b>Power Supply</b>	DC 12V±10%
		<b>Power Consumption</b>	5 W (LED OFF)/ 11 W ( LED ON )
		<b>Dimension</b>	137mm×137mm×100mm
		<b>Weight</b>	0.5Kg





# ATN200P-20S-IR

## 2.0 Megapixel IR PTZ IP Camera

### 1080P Resolution

### Features

- SONY 3.27 Megapixel, Exmor COMS HD camera module
- Max 1080P resolution, support 20X optical zoom and 12X digital zoom
- Manual horizontal control speed, 0.05-400°/s, preset accuracy 0.05°
- 360° continuous pan rotation, -12°~90° tilt rotation
- Built-in Osram efficient IR array LEDs, IR distance up to 150-180M
- Support auto-tracking function, support alarm trigger tracking model.
- Support IOS/Android/Windows Mobile view and control
- Support MicroSD Card for local storage
- IP66

### Specification

Camera module		Interface	
<b>Sensor</b>	3.27MP 1/2.8" SONY Exmor CMOS	<b>Analog video</b>	1.0V[p-p]/75Ω, PAL or NTSC, BNC
<b>Pixel</b>	3.27 Megapixel	<b>API</b>	Onvif2.0
<b>Image resolution</b>	Main code stream : 1080P ( 1920×1080 ) Second code stream : D1 ( 704×576 )	<b>Encode model</b>	
<b>Frame rate</b>	1080P@25 F/S, 1080P@30 F/S	<b>Core processor</b>	Cortex-A9 SoC processor
<b>WDR</b>	ON/OFF/Auto	<b>Operating system</b>	Embedded Linux
<b>Electronic shutter</b>	1/1-1/10,000S	<b>Video compression</b>	H.264/M-JPEG
<b>White balance</b>	Auto/ATW/Indoor/ sodium lamp/Outdoor/ Outdoor Auto/ Manual/ONE PUSH	<b>Audio compression</b>	G.711/G.726/ADPCM
<b>Exposure model</b>	Auto/Manual/shutter priority/aperture priority/ slow exposure/exposure compensation	<b>Audio sample rate</b>	64bit/sample
<b>3D noise reduction</b>	Support	<b>Encode type</b>	BaseLine Profile/Main Profile/High Profile optional
<b>Mini. Illumination</b>	High light model: 0.5lx ( F1.6, 50IRE, ICR off ) 0.095lx ( F1.6, 50IRE, ICR ON ) Normal model: 1.7lx ( F1.6, 50IRE, ICR off ) 0.3lx ( F1.6, 50IRE, ICR ON )	<b>Video compression code rate</b>	32K ~ 16M Bps
<b>Day/Night</b>	Auto(ICR)	<b>Audio compression code rate</b>	8K ~ 48K Bps
<b>Video parameter</b>	set image brightness/contrast/saturation by IE	<b>Transmission model</b>	Dual stream
<b>Camera parameter</b>	Manual adjustment by OSD menu	<b>PTZ</b>	
<b>Lens</b>		<b>Manual speed</b>	0.05° ~ 400°/s ( stepless speed )
<b>Focal length</b>	20X ( f=4.7-94mm )	<b>Max preset speed</b>	400°/s
<b>Horizontal Field</b>	55.4° ( w ) ~ 2.9° ( t )	<b>Preset accuracy</b>	± 0.05°
<b>IR Function</b>		<b>Horizontal rotation range</b>	360° continuous rotation
<b>IR distance</b>	150-180M	<b>Vertical rotation range</b>	-12°~90° auto flip
<b>IR Lens</b>	14pcs Osram IR array LEDs	<b>preset</b>	255
<b>Interface</b>		<b>Auto scan</b>	8
<b>Network interface</b>	10M/100M, RJ45 interface	<b>Auto cruise</b>	8
<b>MicroSD Card</b>	MicroSD ( TF ) Card ( Max 32G ) , support manual recording/alarm recording	<b>Pattern tour</b>	8, each one with 180s memory or 300 orders
<b>Audio interface</b>	1-channel audio input & 1-channel audio output	<b>OSD menu</b>	Support various languages, various functions & parameter adjustment.
<b>Alarm interface</b>	8-channel alarm input & 2-channel alarm output	<b>3D Positioning</b>	Support
		<b>Power off memory function</b>	Support



# ATN200P-20S-IR

## 2.0 Megapixel IR PTZ IP Camera 1080P Resolution

### Specification

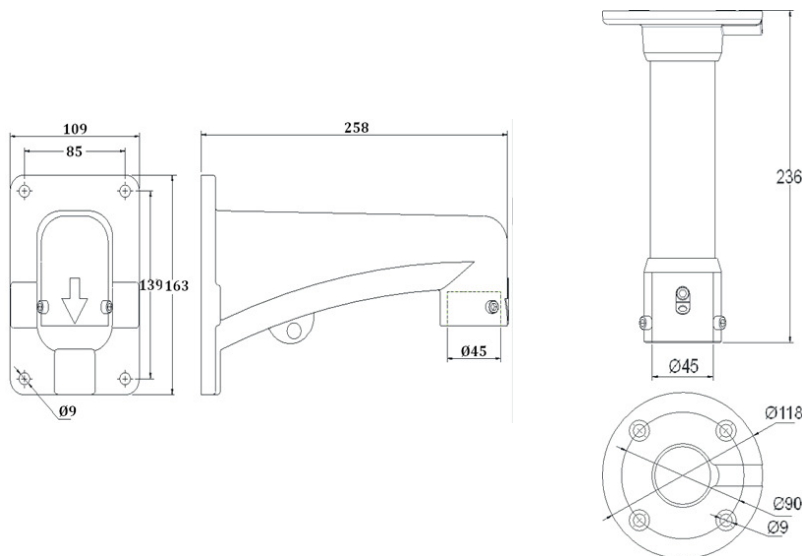
PTZ	
<b>Guard function</b>	Link preset/scan/cruise/pattern
<b>Time task</b>	Preset/scan/cruise/pattern/auto-tracking
<b>Motor</b>	Hybrid high-accuracy stepless motor
<b>Speed setup</b>	Auto rotation speed adjust in accordance with
<b>according to the focal distance,</b>	the lens zoom rate
<b>Protocol</b>	PELCO-P、PELCO-D
<b>Heater</b>	Auto
<b>Wiper</b>	Optional, it can be controled remotely
<b>Auto demist</b>	Support

Others	
<b>Intelligent analysis</b>	Tripwire detection, Object lost&left behind detection
<b>Auto-tracking</b>	Support auto-tracking function, support alarm trigger tracking model
<b>IE browser</b>	Support
<b>Mobile</b>	Support iOS/Android/WindowsMobile
<b>Client</b>	≤ 8

Others	
<b>Network protocol</b>	TCP/UDP/HTTP/MULTICAST/UPnP/DHCP/PPPoE/DDNS/NFS/FTP/NTP/RTP/RTSP
<b>IP address</b>	Support static state IP address、DDNS
<b>OSD character</b>	Support character, time and PTZ angle
<b>Authority</b>	4 level、128 users
<b>System clock</b>	Build-in clock, support external synchronization
<b>Remote management</b>	Remote network upgrade
<b>Intelligent alarm</b>	Motion detection, shield alarm, port alarm, intelligent analysis, auto-tracking

General	
<b>Protection level</b>	IP66、TVS 4000V lightning protection
<b>Working temperature</b>	-40°C ~ 60°C
<b>Working humidity</b>	0 ~ 95% ( No condensation )
<b>Power supply</b>	AC24V 3A/DC24V 5A self-adaption
<b>Power consumption</b>	60W MAX

### Accessory Dimensions





# ATN200P-30L-IR

## 2.0 Megapixel IR PTZ IP Camera 1080P Resolution

### Features

- SONY 3.27 Megapixel, Exmor COMS HD camera module
- Max 1080P resolution, support 30X optical zoom and 12X digital zoom
- Manual horizontal control speed, 0.05-400°/s, preset accuracy 0.05°
- 360° continuous pan rotation, -12°~90° tilt rotation
- Built-in Osram efficient IR array LEDs, IR distance up to 150-180M
- Support auto-tracking function, support alarm trigger tracking model.
- Support IOS/Android/Windows Mobile view and control
- Support MicroSD Card for local storage
- IP66

### Specification

Camera module		Interface	
<b>Sensor</b>	3.27MP 1/2.8" SONY Exmor CMOS	<b>Analog video</b>	1.0V[p-p]/75Ω, PAL or NTSC, BNC
<b>Pixel</b>	3.27Megapixel	<b>API</b>	Onvif2.0
<b>Image resolution</b>	Main code stream : 1080P ( 1920×1080 ) Second code stream : D1 ( 704×576 )	<b>Encode model</b>	
<b>Frame rate</b>	1080P@25 F/S, 1080P@30 F/S	<b>Core processor</b>	Cortex-A9 SoC processor
<b>WDR</b>	ON/OFF/Auto	<b>Operating system</b>	Embedded Linux
<b>Electronic shutter</b>	1/30-1/10,000S	<b>Video compression</b>	H.264/M-JPEG
<b>White balance</b>	Auto/ATW/Manual/ONE PUSH	<b>Audio compression</b>	G.711/G.726/ADPCM
<b>Exposure model</b>	Auto/Manual	<b>Audio sample rate</b>	64bit/sample
<b>3D noise reduction</b>	Support	<b>Encode type</b>	BaseLine Profile/Main Profile/High Profile optional
<b>Anti-fog</b>	Support	<b>Video compression</b>	32K ~ 16M Bps
<b>Image anti-shake</b>	Support	<b>code rate</b>	
<b>Mini. Illumination</b>	Color: 1 Lux ( AGC 30, Sens-up off, F1.6 ) 0.02Lux ( AGC 30, Sens-up x64, F1.6 ) Black&White: 0.1 Lux ( AGC 30, Sens-up off, F1.6 ) 0.00001Lux ( AGC 30, Sens-up x64, F1.6 )	<b>Audio compression</b>	8K ~ 48K Bps
<b>Day/Night</b>	Auto(ICR)	<b>code rate</b>	
<b>Video parameter</b>	set image brightness/contrast/saturation by IE	<b>Transmission model</b>	Dual stream
<b>Camera parameter</b>	Manual adjustment by OSD menu	<b>PTZ</b>	
<b>Lens</b>		<b>Manual speed</b>	0.05° ~ 400°/s ( stepless speed )
<b>Focal length</b>	30X ( f=4.3-129mm )	<b>Max preset speed</b>	400°/s
<b>Horizontal Field</b>	58.9° ( w ) ~ 2.11° ( t )	<b>Preset accuracy</b>	± 0.05°
<b>IR Function</b>		<b>Horizontal rotation</b>	360° continuous rotation
<b>IR distance</b>	150-180M	<b>range</b>	
<b>IR Lens</b>	14pcs Osram IR array LEDs	<b>Vertical rotation</b>	-12°~90° auto flip
<b>Interface</b>		<b>range</b>	
<b>Network interface</b>	10M/100M, RJ45 interface	<b>preset</b>	255
<b>MicroSD Card</b>	MicroSD ( TF ) Card ( Max 32G ) , support manual recording/alarm recording	<b>Auto scan</b>	8
<b>Audio interface</b>	1-channel audio input & 1-channel audio output	<b>Auto cruise</b>	8
<b>Alarm interface</b>	8-channel alarm input & 2-channel alarm output	<b>Pattern tour</b>	8 , each one with 180s memory or 300 orders
		<b>OSD menu</b>	Support various languages, various functions & parameter adjustment.
		<b>3D Positioning</b>	Support
		<b>Power off memory function</b>	Support



# ATN200P-30L-IR

## 2.0 Megapixel IR PTZ IP Camera 1080P Resolution

### Specification

#### PTZ

<b>Guard function</b>	Link preset/scan/cruise/pattern
<b>Time task</b>	Preset/scan/cruise/pattern/auto-tracking
<b>Motor</b>	Hybrid high-accuracy stepless motor
<b>Speed setup</b>	Auto rotation speed adjust in accordance with
<b>according to the focal distance,</b>	the lens zoom rate
<b>Protocol</b>	PELCO-P、PELCO-D
<b>Heater</b>	Auto
<b>Wiper</b>	Optional, it can be controled remotely
<b>Auto demist</b>	Support

#### Others

<b>Intelligent analysis</b>	Tripwire detection, Object lost&left behind detection
<b>Auto-tracking</b>	Support auto-tracking function, support alarm trigger tracking model
<b>IE browser</b>	Support
<b>Mobile</b>	Support iOS/Android/WindowsMobile
<b>Client</b>	≤ 8

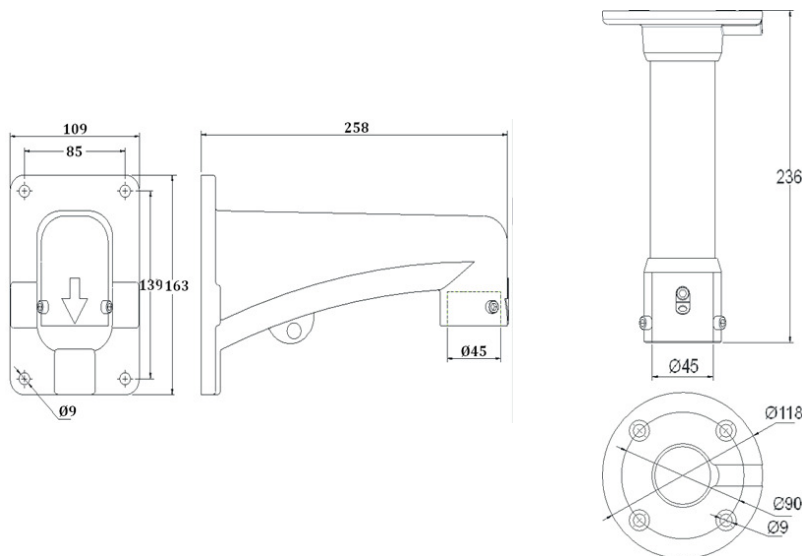
#### Others

<b>Network protocol</b>	TCP/UDP/HTTP/MULTICAST/UPnP/DHCP/PPPoE/DDNS/NFS/FTP/NTP/RTP/RTSP
<b>IP address</b>	Support static state IP address、DDNS
<b>OSD character</b>	Support character, time and PTZ angle
<b>Authority</b>	4 level、128 users
<b>System clock</b>	Build-in clock, support external synchronization
<b>Remote management</b>	Remote network upgrade
<b>Intelligent alarm</b>	Motion detection, shield alarm, port alarm, intelligent analysis, auto-tracking

#### General

<b>Protection level</b>	IP66、TVS 4000V lightning protection
<b>Working temperature</b>	-40°C ~ 60°C
<b>Working humidity</b>	0 ~ 95% ( No condensation )
<b>Power supply</b>	AC24V 3A/DC24V 5A self-adaption
<b>Power consumption</b>	60W MAX

### Accessory Dimensions





# ATN200P-20S

## 2.0 Megapixel PTZ IP Camera

### 1080P Resolution

### Features

SONY 3.27 Megapixel, Exmor COMS HD camera module  
 Max 1080P resolution, support 20X optical zoom and 12X digital zoom  
 Manual horizontal control speed, 0.05-600°/s, preset accuracy 0.05°  
 360° continuous pan rotation, -15°~195° tilt rotation.  
 Support auto-tracking function, support alarm trigger tracking model.  
 Support IOS/Android/Windows Mobile view and control  
 Support MicroSD Card for local storage  
 IP66

### Specification

Camera module		Encode model	
<b>Sensor</b>	3.27MP 1/2.8" SONY Exmor CMOS	<b>Core processor</b>	Cortex-A9 SoC processor
<b>Pixel</b>	3.27Megapixel	<b>Operating system</b>	Embedded Linux
<b>Image resolution</b>	Main code stream : 1080P ( 1920×1080 ) Second code stream : D1 ( 704×576 )	<b>Video compression</b>	H.264/M-JPEG
<b>Frame rate</b>	<a href="#">1080P@25 F/S, 1080P@30 F/S</a>	<b>Audio compression</b>	G.711/G.726/ADPCM
<b>WDR</b>	ON/OFF/Auto	<b>Audio sample rate</b>	64bit/sample
<b>Electronic shutter</b>	1/1-1/10,000S	<b>Encode type</b>	BaseLine Profile/Main Profile/High Profile optional
<b>White balance</b>	Auto/ATW/Indoor/ sodium lamp/Outdoor/ Outdoor Auto/ Manual/ONE PUSH	<b>Video compression</b>	32K ~ 16M Bps
<b>Exposure model</b>	Auto/Manual/shutter priority/aperture priority/ slow exposure/exposure compensation	<b>Audio compression</b>	8K ~ 48K Bps
<b>3D noise reduction</b>	Support	<b>Transmission model</b>	Dual stream
<b>Mini. Illumination</b>	High light model: 0.5lx ( F1.6 , 50IRE , ICR off ) 0.095lx ( F1.6 , 50IRE , ICR ON ) Normal model: 1.7lx ( F1.6 , 50IRE , ICR off ) 0.3lx ( F1.6 , 50IRE , ICR ON )	<b>PTZ</b>	
<b>Day/Night</b>	Auto(ICR)	<b>Manual speed</b>	0.05° ~ 600°/s ( stepless speed )
<b>Video parameter</b>	set image brightness/contrast/saturation by IE	<b>Max preset speed</b>	600°/s
<b>Camera parameter</b>	Manual adjustment by OSD menu	<b>Preset accuracy</b>	± 0.05°
<b>Lens</b>		<b>Horizontal rotation</b>	360° continuous rotation
<b>Focal length</b>	20X ( f=4.7-94mm )	<b>Vertical rotation</b>	-15°~195° auto flip
<b>Horizontal Field</b>	55.4° ( w ) ~ 2.9° ( t )	<b>preset</b>	255
<b>Interface</b>		<b>Auto scan</b>	8
<b>Network interface</b>	10M/100M, RJ45 interface	<b>Auto cruise</b>	8
<b>MicroSD Card</b>	MicroSD ( TF ) Card ( Max 32G ) , support manual recording/alarm recording	<b>Pattern tour</b>	8 , each one with 180s memory or 300 orders
<b>Audio interface</b>	1-channel audio input & 1-channel audio output	<b>OSD menu</b>	Support various languages, various functions & parameter adjustment.
<b>Alarm interface</b>	2-channel alarm input & 2-channel alarm output	<b>3D Positioning</b>	Support
<b>Analog video</b>	1.0V[p-p]/75Ω , PAL or NTSC , BNC	<b>Power off memory</b>	Support
<b>API</b>	Onvif2.0		



# ATN200P-20S

## 2.0 Megapixel PTZ IP Camera 1080P Resolution

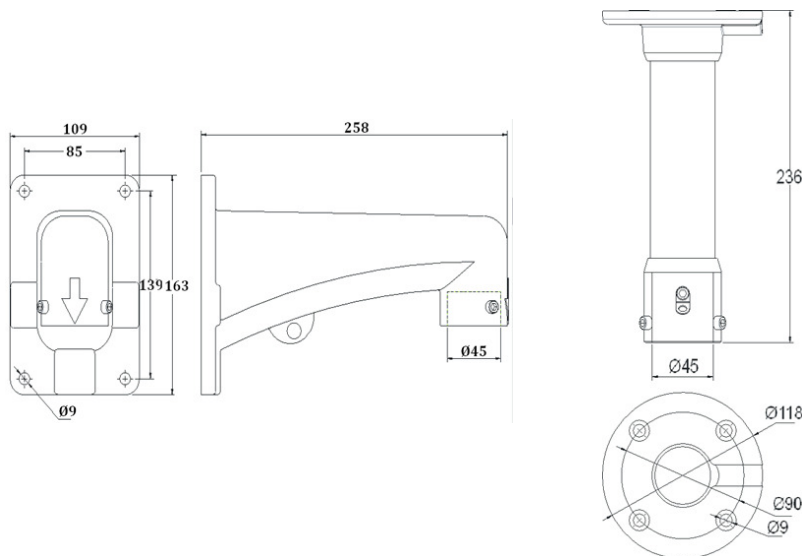
### Specification

PTZ	
<b>Guard function</b>	Link preset/scan/cruise/pattern
<b>Time task</b>	Preset/scan/cruise/pattern/auto-tracking
<b>Motor</b>	Hybrid high-accuracy stepless motor
<b>Speed setup according to the focal distance,</b>	Auto rotation speed adjust in accordance with the lens zoom rate
<b>Protocol</b>	PELCO-P、 PELCO-D
<b>Heater</b>	Auto
<b>Auto demist</b>	Support
Others	
<b>Intelligent analysis</b>	Tripwire detection, Object lost&left behind detection
<b>Auto-tracking</b>	Support auto-tracking function, support alarm trigger tracking model
<b>IE browser</b>	Support
<b>Mobile</b>	Support iOS/Android/WindowsMobile
<b>Client</b>	≤ 8

Others	
<b>Network protocol</b>	TCP/UDP/HTTP/MULTICAST/UPnP/DHCP/PPPoE/DDNS/NFS/FTP/NTP/RTP/RTSP
<b>IP address</b>	Support static state IP address、 DDNS
<b>OSD charactor</b>	Support character, time and PTZ angle
<b>Authority</b>	4 level、 128 users
<b>System clock</b>	Build-in clock, support external synchronization
<b>Remote management</b>	Remote network upgrade
<b>Intelligent alarm</b>	Motion detection, shield alarm, port alarm, intelligent analysis, auto-tracking

General	
<b>Protection level</b>	IP66、 TVS 4000V lightning protection
<b>Working temperature</b>	-40°C ~ 60°C
<b>Working humidity</b>	0 ~ 95% ( No condensation )
<b>Power supply</b>	AC24V 3A
<b>Power consumptionm</b>	50W MAX

### Accessory Dimensions







# ATN200P-30L

## 2.0 Megapixel PTZ IP Camera

### 1080P Resolution

### Features

- SONY 3.27 Megapixel, Exmor COMS HD camera module
- Max 1080P resolution, support 30X optical zoom and 12X digital zoom
- Manual horizontal control speed, 0.05-600°/s, preset accuracy 0.05°
- 360° continuous pan rotation, -15°~195° tilt rotation.
- Support auto-tracking function, support alarm trigger tracking model.
- Support IOS/Android/Windows Mobile view and control
- Support MicroSD Card for local storage
- IP66

### Specification

Camera module		Interface	
<b>Sensor</b>	3.27MP 1/2.8" SONY Exmor CMOS	<b>API</b>	Onvif2.0
<b>Pixel</b>	3.27Megapixel	<b>Encode model</b>	
<b>Image resolution</b>	Main code stream : 1080P ( 1920×1080 ) Second code stream : D1 ( 704×576 )	<b>Core processor</b>	Cortex-A9 SoC processor
<b>Frame rate</b>	1080P@25 F/S, 1080P@30 F/S	<b>Operating system</b>	Embedded Linux
<b>WDR</b>	ON/OFF/Auto	<b>Video compression</b>	H.264/M-JPEG
<b>Electronic shutter</b>	1/30-1/10,000S	<b>Audio compression</b>	G.711/G.726/ADPCM
<b>White balance</b>	Auto/ATW/Manual/ONE PUSH	<b>Audio sample rate</b>	64bit/sample
<b>Exposure model</b>	Auto/Manual	<b>Encode type</b>	BaseLine Profile/Main Profile/High Profile optional
<b>3D noise reduction</b>	Support	<b>Video compression</b>	32K ~ 16M Bps
<b>Anti-fog</b>	Support	<b>Audio compression</b>	8K ~ 48K Bps
<b>Image anti-shake</b>	Support	<b>Transmission model</b>	Dual stream
<b>Mini. Illumination</b>	High light model: 0.5 Lux ( F1.6, 50IRE, ICR OFF ) 0.095Lux ( F1.6, 50IRE, ICR ON ) Normal model: 1.7 Lux ( F1.6, 50IRE, ICR OFF ) 0.31Lux ( F1.6, 50IRE, ICR ON )	<b>PTZ</b>	
<b>Day/Night</b>	Auto(ICR)	<b>Manual speed</b>	0.05° ~ 600°/s ( stepless speed )
<b>Video parameter</b>	set image brightness/contrast/saturation by IE	<b>Max preset speed</b>	600°/s
<b>Camera parameter</b>	Manual adjustment by OSD menu	<b>Preset accuracy</b>	± 0.05°
<b>Lens</b>		<b>Horizontal rotation range</b>	360° continuous rotation
<b>Focal length</b>	30X ( f=4.3-129mm )	<b>Vertical rotation range</b>	-15°~195° auto flip
<b>Horizontal Field</b>	58.9° ( w ) ~2.11° ( t )	<b>preset</b>	255
<b>Interface</b>		<b>Auto scan</b>	8
<b>Network interface</b>	10M/100M, RJ45 interface	<b>Auto cruise</b>	8
<b>MicroSD Card</b>	MicroSD ( TF ) Card ( Max 32G ) , support manual recording/alarm recording	<b>Pattern tour</b>	8 , each one with 180s memory or 300 orders
<b>Audio interface</b>	1-channel audio input & 1-channel audio output	<b>OSD menu</b>	Support various languages, various functions &
<b>Alarm interface</b>	2-channel alarm input & 2-channel alarm output	<b>3D Positioning</b>	Support
<b>Analog video</b>	1.0V[p-p]/75Ω , PAL or NTSC , BNC	<b>Power off memory</b>	Support



# ATN200P-30L

## 2.0 Megapixel PTZ IP Camera 1080P Resolution

### Specification

#### PTZ

<b>Guard function</b>	Link preset/scan/cruise/pattern
<b>Time task</b>	Preset/scan/cruise/pattern/auto-tracking
<b>Motor</b>	Hybrid high-accuracy stepless motor
<b>Speed setup according to the focal distance,</b>	Auto rotation speed adjust in accordance with the lens zoom rate
<b>Protocol</b>	PELCO-P、PELCO-D
<b>Heater</b>	Auto
<b>Auto demist</b>	Support

#### Others

<b>Intelligent analysis</b>	Tripwire detection, Object lost&left behind detection
<b>Auto-tracking</b>	Support auto-tracking function, support alarm
<b>IE browser</b>	Support
<b>Mobile</b>	Support iOS/Android/WindowsMobile
<b>Client</b>	≤ 8

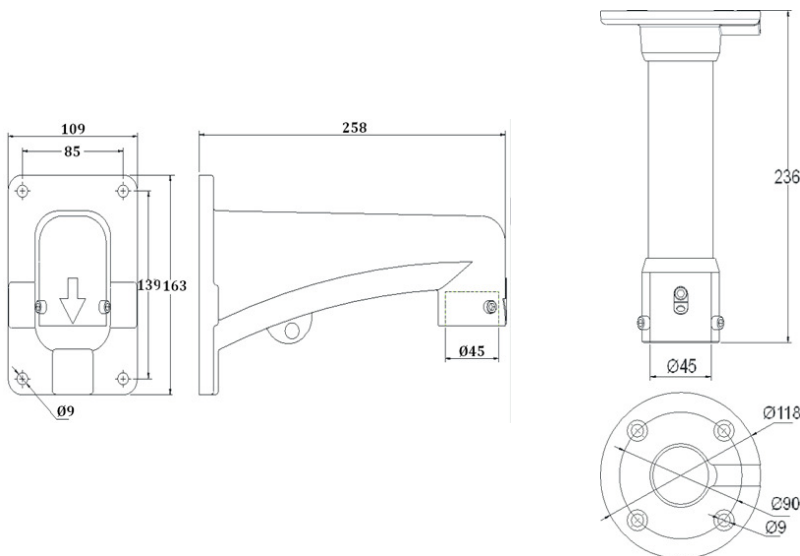
#### Others

<b>Network protocol</b>	TCP/UDP/HTTP/MULTICAST/UPnP/DHCP/PPPoE/DDNS/NFS/FTP/NTP/RTP/RTSP
<b>IP address</b>	Support static state IP address、DDNS
<b>OSD character</b>	Support character, time and PTZ angle
<b>Authority</b>	4 level、128 users
<b>System clock</b>	Build-in clock, support external synchronization
<b>Remote management</b>	Remote network upgrade
<b>Intelligent alarm</b>	Motion detection, shield alarm, port alarm,

#### General

<b>Protection level</b>	IP66、TVS 4000V lightning protection
<b>Working temperature</b>	-40°C ~ 60°C
<b>Working humidity</b>	0 ~ 95% ( No condensation )
<b>Power supply</b>	AC24V 3A
<b>Power consumption</b>	50W MAX

### Accessory Dimensions





# ATN130P-18H-IR

## 1.3 Megapixel IR PTZ IP Camera 960P Resolution

### Features

- 1.3M 1/3" SONY Progressive CCD
- Max 960P resolution, support 18X optical zoom and 12X digital zoom
- Manual horizontal control speed, 0.05-400°/s, preset accuracy 0.05°
- 360° continuous pan rotation, -12°~90° tilt rotation.
- Built-in Osram efficient IR array LEDs, IR distance up to 150-180M
- Support auto-tracking function, support alarm trigger tracking model.
- Support IOS/Android/Windows Mobile view and control
- Support MicroSD Card for local storage
- IP66

### Specification

Camera module		Interface	
<b>Sensor</b>	1.3MP 1/3" SONY Progressive CCD	<b>API</b>	Onvif2.0
<b>Pixel</b>	1.3Megapixel	<b>Encode model</b>	
<b>Image resolution</b>	Main code stream : 960P ( 1280×960 ) /720P ( 1280×720 ) Second code stream : D1 ( 704×576 )	<b>Core processor</b>	Cortex-A9 SoC processor
<b>Frame rate</b>	<a href="#">960P@15 F/S,720P@25 F/S</a>	<b>Operating system</b>	Embedded Linux
<b>WDR</b>	ON/OFF	<b>Video compression</b>	H.264/M-JPEG
<b>Electronic shutter</b>	1/25-1/100,000S	<b>Audio compression</b>	G.711/G.726/ADPCM
<b>White balance</b>	Auto/ Manual	<b>Audio sample rate</b>	64bit/sample
<b>Exposure model</b>	Auto/Manual/shutter priority/aperture priority/brightness priority	<b>Encode type</b>	BaseLine Profile/Main Profile/High Profile optional
<b>3D noise reduction</b>	Support	<b>Video compression code rate</b>	32K ~ 16M Bps
<b>Mini. Illumination</b>	IR-cut ON ( 1/30s ) 1.8lx IR-cut OFF(1/4s) 0.02lx ( 1/4s ) F1.6(W),50 IRE	<b>Audio compression code rate</b>	8K ~ 48K Bps
<b>Day/Night</b>	Auto(ICR)	<b>Transmission model</b>	Dual stream
<b>Video parameter</b>	set image brightness/contrast/saturation by IE	<b>PTZ</b>	
<b>Camera parameter</b>	Manual adjustment by OSD menu	<b>Manual speed</b>	0.05° ~ 400°/s ( stepless speed )
<b>Lens</b>		<b>Max preset speed</b>	400°/s
<b>Focal length</b>	18X ( f=4.7-84.6mm )	<b>Preset accuracy</b>	± 0.05°
<b>Horizontal Field</b>	55.2° ( w ) ~3.2° ( t )	<b>Horizontal rotation range</b>	360° continuous rotation
<b>IR Function</b>		<b>Vertical rotation range</b>	-12°~90° auto flip
<b>IR distance</b>	150-180M	<b>preset</b>	255
<b>IR Lens</b>	14pcs Osram IR array LEDs	<b>Auto scan</b>	8
<b>Interface</b>		<b>Auto cruise</b>	8
<b>Network interface</b>	10M/100M, RJ45 interface	<b>Pattern tour</b>	8 , each one with 180s memory or 300 orders
<b>MicroSD Card</b>	MicroSD ( TF ) Card ( Max 32G ) , support manual recording/alarm recording	<b>OSD menu</b>	Support various languages, various functions & parameter adjustment.
<b>Audio interface</b>	1-channel audio input & 1-channel audio output	<b>3D Positioning</b>	Support
<b>Alarm interface</b>	8-channel alarm input & 2-channel alarm output	<b>Power off memory function</b>	Support
<b>Analog video</b>	1.0V[p-p]/75 Ω , PAL or NTSC , BNC		



# ATN130P-18H-IR

## 1.3 Megapixel IR PTZ IP Camera 960P Resolution

### Specification

#### PTZ

<b>Guard function</b>	Link preset/scan/cruise/pattern
<b>Time task</b>	Preset/scan/cruise/pattern/auto-tracking
<b>Motor</b>	Hybrid high-accuracy stepless motor
<b>Speed setup according to the focal distance,</b>	Auto rotation speed adjust in accordance with the lens zoom rate
<b>Protocol</b>	PELCO-P、 PELCO-D
<b>Heater</b>	Auto
<b>Wiper</b>	Optional, it can be controled remotely
<b>Auto demist</b>	Support

#### Others

<b>Intelligent analysis</b>	Tripwire detection, Object lost&left behind detection
<b>Auto-tracking</b>	Support auto-tracking function, support alarm trigger tracking model
<b>IE browser</b>	Support
<b>Mobile</b>	Support iOS/Android/WindowsMobile
<b>Client</b>	≤ 8

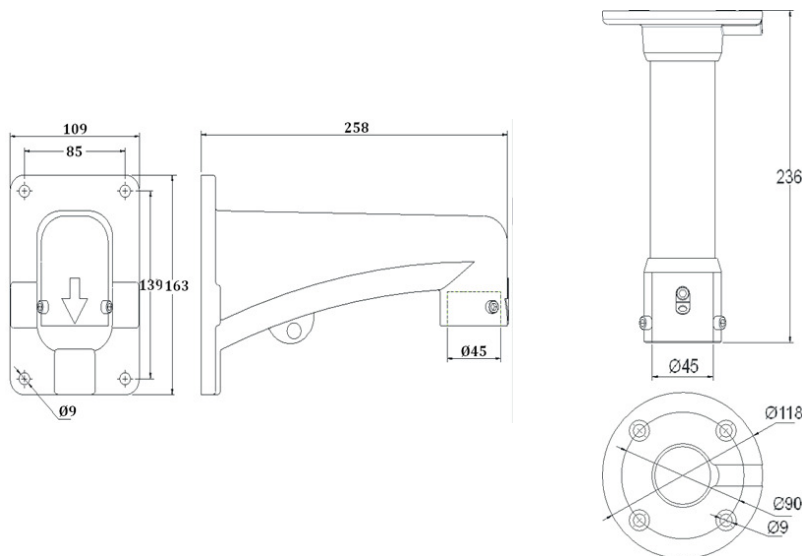
#### Others

<b>Network protocol</b>	TCP/UDP/HTTP/MULTICAST/UPnP/DHCP/PPPoE/DDNS/NFS/FTP/NTP/RTP/RTSP
<b>IP address</b>	Support static state IP address、 DDNS
<b>OSD character</b>	Support character, time and PTZ angle
<b>Authority</b>	4 level、 128 users
<b>System clock</b>	Build-in clock, support external synchronization
<b>Remote management</b>	Remote network upgrade
<b>Intelligent alarm</b>	Motion detection, shield alarm, port alarm, intelligent analysis, auto-tracking

#### General

<b>Protection level</b>	IP66、 TVS 4000V lightning protection
<b>Working temperature</b>	-40°C ~ 60°C
<b>Working humidity</b>	0 ~ 95% ( No condensation )
<b>Power supply</b>	AC24V 3A/DC24V 5A self-adaption
<b>Power consumption</b>	60W MAX

### Accessory Dimensions





# ATN130P-18H

## 1.3 Megapixel PTZ IP Camera 960P Resolution

### Features

- 1.3M 1/3" SONY Progressive CCD
- Max 960P resolution, support 18X optical zoom and 12X digital zoom
- Manual horizontal control speed, 0.05-600°/s, preset accuracy 0.05°
- 360° continuous pan rotation, -15°~195° tilt rotation.
- Support auto-tracking function, support alarm trigger tracking model.
- Support IOS/Android/Windows Mobile view and control
- Support MicroSD Card for local storage
- IP66

### Specification

Camera module		Encode model	
<b>Sensor</b>	1.3MP 1/3" SONY Progressive CCD	<b>Core processor</b>	Cortex-A9 SoC processor
<b>Pixel</b>	1.3Megapixel	<b>Operating system</b>	Embedded Linux
<b>Image resolution</b>	Main code stream : 960P ( 1280×960 ) /720P ( 1280×720 ) Second code stream : D1 ( 704×576 )	<b>Video compression</b>	H.264/M-JPEG
<b>Frame rate</b>	<a href="#">960P@15F/S,720P@25 F/S</a>	<b>Audio compression</b>	G.711/G.726/ADPCM
<b>WDR</b>	ON/OFF	<b>Audio sample rate</b>	64bit/sample
<b>Electronic shutter</b>	1/25-1/100,000S	<b>Encode type</b>	BaseLine Profile/Main Profile/High Profile optional
<b>White balance</b>	Auto/Manual	<b>Video compression code rate</b>	32K ~ 16M Bps
<b>Exposure model</b>	Auto/Manual/shutter priority/aperture priority/ brightness priority	<b>Audio compression code rate</b>	8K ~ 48K Bps
<b>3D noise reduction</b>	Support	<b>Transmission model</b>	Dual stream
<b>Mini. Illumination</b>	IR-cut ON(1/30s) 1.8Lux; IR-cut OFF(1/4s)0.02Lux (1/4s) F1.6(W), 50 IRE	<b>PTZ</b>	
<b>Day/Night</b>	Auto(ICR)	<b>Manual speed</b>	0.05° ~ 600°/s ( stepless speed )
<b>Video parameter</b>	set image brightness/contrast/saturation by IE	<b>Max preset speed</b>	600°/s
<b>Camera parameter</b>	Manual adjustment by OSD menu	<b>Preset accuracy</b>	± 0.05°
<b>Lens</b>		<b>Horizontal rotation range</b>	360° continuous rotation
<b>Focal length</b>	18X ( f=4.7-84.6mm )	<b>Vertical rotation range</b>	-15°~195° auto flip
<b>Horizontal Field</b>	55.2° ( w ) ~3.2° ( t )	<b>Vertical rotation range preset</b>	255
<b>Interface</b>		<b>Auto scan</b>	8
<b>Network interface</b>	10M/100M, RJ45 interface	<b>Auto cruise</b>	8
<b>MicroSD Card</b>	MicroSD ( TF ) Card ( Max 32G ) , support manual recording/alarm recording	<b>Pattern tour</b>	8 , each one with 180s memory or 300 orders
<b>Audio interface</b>	1-channel audio input & 1-channel audio output	<b>OSD menu</b>	Support various languages, various functions & parameter adjustment.
<b>Alarm interface</b>	2-channel alarm input & 2-channel alarm output	<b>3D Positioning</b>	Support
<b>Analog video</b>	1.0V[p-p]/75 Ω , PAL or NTSC , BNC	<b>Power off memory function</b>	Support
<b>API</b>	Onvif2.0		



# ATN130P-18H

## 1.3 Megapixel PTZ IP Camera 960P Resolution

### Specification

#### PTZ

<b>Guard function</b>	Link preset/scan/cruise/pattern
<b>Time task</b>	Preset/scan/cruise/pattern/auto-tracking
<b>Motor</b>	Hybrid high-accuracy stepless motor
<b>Speed setup according to the focal distance,</b>	Auto rotation speed adjust in accordance with the lens zoom rate
<b>Protocol</b>	PELCO-P、PELCO-D
<b>Heater</b>	Auto
<b>Auto demist</b>	Support

#### Others

<b>Intelligent analysis</b>	Tripwire detection, Object lost&left behind detection
<b>Auto-tracking</b>	Support auto-tracking function, support alarm trigger tracking model
<b>IE browser</b>	Support
<b>Mobile</b>	Support iOS/Android/WindowsMobile
<b>Client</b>	≤ 8

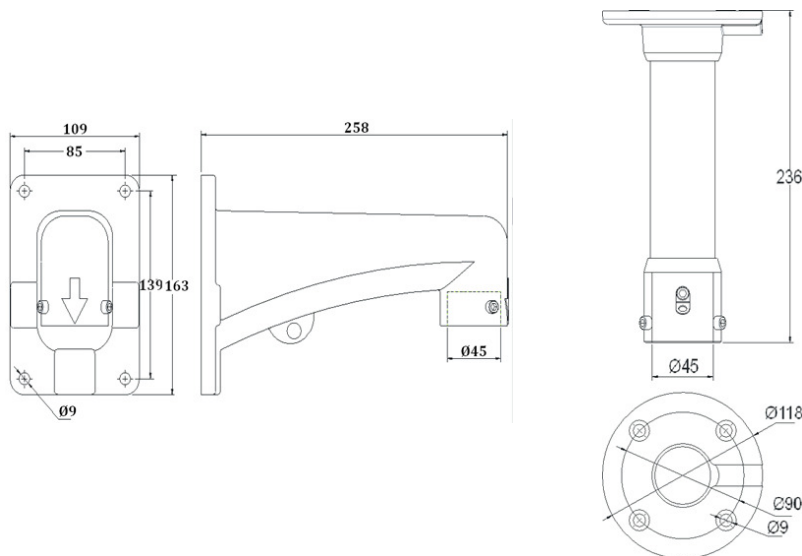
#### Others

<b>Network protocol</b>	TCP/UDP/HTTP/MULTICAST/UPnP/DHCP/PPPoE/DDNS/NFS/FTP/NTP/RTP/RTSP
<b>IP address</b>	Support static state IP address、DDNS
<b>OSD character</b>	Support character, time and PTZ angle
<b>Authority</b>	4 level、128 users
<b>System clock</b>	Build-in clock, support external synchronization
<b>Remote management</b>	Remote network upgrade
<b>Intelligent alarm</b>	Motion detection, shield alarm, port alarm, intelligent analysis, auto-tracking

#### General

<b>Protection level</b>	IP66、TVS 4000V lightning protection
<b>Working temperature</b>	-40°C ~ 60°C
<b>Working humidity</b>	0 ~ 95% ( No condensation )
<b>Power supply</b>	AC24V 3A
<b>Power consumptionm</b>	50W MAX

### Accessory Dimensions







# ATR04HD4M

## 4CH Stand Alone NVR

### Features

- 4CH IP camera input, support 720P, 1080P
- 4CH 720P playback / 1CH 1080P playback
- HDMI and VGA output up to 1080P resolution
- Plug & Play, Smart recording system
- Intelligent Analysis: 4ch camera side IVA
- 1ch Alarm Input, 1ch Audio Output
- 2 SATA slots (Up to 8TB)

### Specification

<b>Video&amp;Audio</b>		<b>Playback&amp;Backup</b>	
<b>IP Camera Input</b>	4ch 720P@3M / 4ch 1080P@4M	<b>Playback Channel</b>	4
<b>Output</b>	1 HDMI, 1VGA, 2 USB 2.0	<b>Search Mode</b>	Time/Date/Alarm
<b>Voice Intercom</b>	1channel 3.5mm interface	<b>Playback Function</b>	Play, Pause, Stop, Rewind, Fast play, Slow play, Next file, Previous file, Next camera, Previous Camera, Full screen, Repeat, Shuffle, Backup selection, Digital Zoom( any size)
<b>Display</b>		<b>Backup Mode</b>	Flash drive/USB HDD/ USB CD&DVD-RW/ eSATA Device/Built-in SATA burner/Network
<b>Display Split</b>	1/4	<b>Network</b>	
<b>Resolution</b>	1920x1080, 1280x720, 1024x768	<b>Ethernet</b>	RJ-45 port(10/100M)
<b>Tour Display</b>	Support	<b>Network Function</b>	HTTP, TCP/IP, UPNP, RTSP, UDP, SMTP, NTP, DHCP, DNS, IP Filter, PPPOE, DDNS, FTP, Alarm Server, IP search
<b>Privacy Masking</b>	Support	<b>Remote Operation</b>	Monitor, PTZ control, Playback, System setting, File download, Log information
<b>OSD</b>	Camera title, motion detection, recording, time. Video loss, camera lock.	<b>Hard Disk</b>	
<b>Recording</b>		<b>Hard Disk</b>	2SATA port, 2HDDs, Up to 8 TB
<b>Video/Audio</b>	H.264/ADPCM-DV14/G.711A/G.711U	<b>Space Occupation</b>	Audio:28.8MB/H, Video:56~3600MB/H
<b>Compression</b>		<b>HDD Management</b>	HDD Group, HDD hibernation technology, HDD faulty alarm
<b>Image Resolution</b>	1080P (1920x1080)/720P(1280x720)/D1 (704x576)	<b>Auxiliary Interface</b>	
<b>Encoding Speed</b>	Max 480fps@D1 / 240fps@720P / 120fps@1080P	<b>USB Interface</b>	2 USB2.0 ports for mouse control & backup
<b>Recording Bit Rate</b>	32~8192Kb/s,	<b>RS232</b>	Keyboard, PC communication
<b>Recording Quality</b>	CBR, VBR	<b>RS485</b>	PTZ control
<b>Recording Mode</b>	Manual, Schedule( Regular(continuous), MD (Video detection: Motion detection, Camera Blank, Video Loss) Alarm), Stop	<b>Environment</b>	
<b>Recording Priority</b>	Manual>Alarm>MD>Regular	<b>Power Supply</b>	DC12V/5A
<b>Recording Interval</b>	10、20、30、60min, Pre-record:10~600 sec, Post-record:5~60sec	<b>Power Consumption</b>	≤ 10W
<b>Detection&amp;Alarm</b>		<b>Working</b>	—10°C - + 55°C/10%~90%RH
<b>Trigger Events</b>	Recording, PTZ movement, Tour, Alarm, FTP.	<b>Environment</b>	
<b>Motion Detection</b>	Zones:396(22x18), Sensitivity:1~6 ( Level 6 is highest )	<b>Dimension</b>	1U, 43.6mm×341mm×268mm
<b>Video Loss&amp;Camera Blank</b>	Support	<b>Weight</b>	≤ 4Kg(without HDD)



# ATR08HD4M

## 8CH Stand Alone NVR

### Features

- 8CH IP camera input, support 720P, 1080P
- 4CH 720P playback / 1CH 1080P playback
- HDMI and VGA output up to 1080P resolution
- Plug & Play, Smart recording system
- Intelligent Analysis: 4ch camera side IVA
- 1ch Alarm Input, 1ch Audio Output
- 2 SATA slots (Up to 8TB)

### Specification

<b>Video&amp;Audio</b>		<b>Playback&amp;Backup</b>	
IP Camera Input	8ch 720P@3M / 8ch 1080P@4M	Playback Channel	8
Output	1 HDMI, 1VGA, 2 USB 2.0	Search Mode	Time/Date/Alarm
Voice Intercom	1channel 3.5mm interface	Playback Function	Play, Pause, Stop, Rewind, Fast play, Slow play, Next file, Previous file, Next camera, Previous Camera, Full screen, Repeat, Shuffle, Backup selection, Digital Zoom( any size)
<b>Display</b>		Backup Mode	Flash drive/USB HDD/ USB CD&DVD-RW/ eSATA Device/Built-in SATA burner/Network
Display Split	1/4/8	<b>Network</b>	
Resolution	1920x1080, 1280x720, 1024x768	Ethernet	RJ-45 port(10/100M)
Tour Display	Support	Network Function	HTTP, TCP/IP, UPNP, RTSP, UDP, SMTP, NTP, DHCP, DNS, IP Filter, PPPOE, DDNS, FTP, Alarm Server, IP search
Privacy Masking	Support	Remote Operation	Monitor, PTZ control, Playback, System setting, File download, Log information
OSD	Camera title, motion detection, recording, time. Video loss, camera lock.	<b>Hard Disk</b>	
<b>Recording</b>		Hard Disk	2SATA port, 2HDDs, Up to 8 TB
Video/Audio	H.264/ADPCM-DV14/G.711A/G.711U	Space Occupation	Audio:28.8MB/H, Video:56~3600MB/H
Compression		HDD Management	HDD Group , HDD hibernation technology , HDD faulty alarm
Image Resolution	1080P ( 1920x1080)/720P(1280x720)/D1 (704x576)	<b>Auxiliary Interface</b>	
Encoding Speed	Max 480fps@D1 / 240fps@720P / 120fps@1080P	USB Interface	2 USB2.0 ports for mouse control & backup
Recording Bit Rate	32~8192Kb/s,	RS232	Keyboard, PC communication
Recording Quality	CBR, VBR	RS485	PTZ control
Recording Mode	Manual, Schedule( Regular(continuous), MD (Video detection: Motion detection, Camera Blank, Video Loss) Alarm), Stop	<b>Environment</b>	
Recording Priority	Manual>Alarm>MD>Regular	Power Supply	DC12V/5A
Recording Interval	10、20、30、60min , Pre-record:10~600 sec, Post-record:5~60sec	Power Consumption	≤ 10W
<b>Detection&amp;Alarm</b>		Working Environment	—10°C - + 55°C/10%-90%RH
Trigger Events	Recording, PTZ movement, Tour, Alarm, FTP.	Dimension	1U , 43.6mm×341mm×268mm
Motion Detection	Zones:396(22x18), Sensitivity:1~6 ( Level 6 is highest )	Weight	≤ 4Kg(without HDD)
Video Loss&Camera Blank	Support		



# ATR16HD8M

## 16CH Stand Alone NVR

### Features

- 16CH IP camera input, support 720P, 1080P
- 8CH 720P playback / 4CH 1080P playback
- HDMI and VGA output up to 1080P resolution
- Plug & Play, Smart recording system
- Intelligent Analysis: 2ch Bulit-in/16ch camera side IVA
- 8ch Alarm Input, 2ch Alarm Output, 1ch Audio Output
- 2 SATA slots (Up to 8TB)

### Specification

#### Video&Audio

IP Camera Input	16ch 720P@3M / 16ch 1080P@4M
Output	1 HDMI, 1VGA, 2 USB 2.0
Voice Intercom	1channel 3.5mm interface

#### Display

Display Split	1\4\9\16
Resolution	1920x1080, 1280x720, 1024x768
Tour Display	Support
Privacy Masking	Support
OSD	Camera title, motion detection, recording, time. Video loss, camera lock.

#### Recording

Video/Audio	H.264/ADPCM-DV14/G.711A/G.711U
Compression	
Image Resolution	1080P ( 1920x1080)/720P(1280x720)/D1 (704x576)
Encoding Speed	Max 480fps@D1 / 240fps@720P / 120fps@1080P
Recording Bit Rate	32~8192Kb/s,
Recording Quality	CBR, VBR
Recording Mode	Manual, Schedule( Regular(continuous),MD (Video detection: Motion detection, Camera Blank, Video Loss) Alarm), Stop
Recording Priority	Manual>Alarm>MD>Regular
Recording Interval	10、20、30、60min , Pre-record:10~600 sec, Post-record:5~60sec

#### Video Detection&Alarm

Trigger Events	Recording, PTZ movement, Tour, Alarm, FTP.
Motion Detection	Zones:396(22x18), Sensitivity:1~6 ( Level 6 is highest )
Video Loss&Camera Blank	Support

#### Playback&Backup

Playback Channel	4/8/16
Search Mode	Time/Date/Alarm
Playback Function	Play, Pause, Stop, Rewind, Fast play, Slow play, Next file, Previous file, Next camera, Previous Camera, Full screen, Repeat, Shuffle, Backup selection, Digital Zoom( any size)
Backup Mode	Flash drive/USB HDD/ USB CD&DVD-RW/ eSATA Device/Built-in SATA burner/Network

#### Network

Ethernet	RJ-45 port(10/100M/1000M)
Network Function	HTTP, TCP/IP, UPNP, RTSP, UDP, SMTP, NTP, DHCP, DNS, IP Filter, PPPOE, DDNS, FTP, Alarm Server, IP search
Remote Operation	Monitor, PTZ control, Playback, System setting, File download, Log information

#### Hard Disk

Hard Disk	2SATA port, 2HDDs, Up to 8 TB
eSATA	1
Space Occupation	Audio:28.8MB/H, Video:56~3600MB/H
HDD Management	HDD Group , HDD hibernation technology , HDD faulty alarm

#### Auxiliary Interface

USB Interface	2 USB2.0 ports for mouse control & backup
RS232	Keyboard, PC communication
RS485	PTZ control

#### Environment

Power Supply	DC12V/5A
Power Consumption	≤ 10W
Working Environment	—10°C - + 55°C/10%-90%RH
Dimension	1U , 43.6mm×341mm×268mm
Weight	≤ 4Kg(without HDD)



# ATR16HD8B

## 16CH Stand Alone NVR

### Features

- 16CH IP camera input, support 720P, 1080P
- 8CH 720P playback / 4CH 1080P playback
- HDMI x 2 and VGA output up to 1080P resolution
- Plug & Play, Smart recording system
- Intelligent Analysis: 2ch Built-in/16ch camera side IVA
- 16ch Alarm Input, 4ch Alarm Output, 1ch Audio Output
- 8 SATA slots (Up to 32TB)

### Specification

#### Video&Audio

IP Camera Input	16ch 720P@3M / 16ch 1080P@4M
Output	2xHDMI,1VGA,2 USB 2.0
Voice Intercom	1channel 3.5mm interface

#### Display

Display Split	1\4\9\16
Resolution	1920x1080,1280x720,1024x768
Tour Display	Support
Privacy Masking	Support
OSD	Camera title, motion detection, recording, time. Video loss, camera lock.

#### Recording

Video/Audio	H.264/ADPCM-DV14/G.711A/G.711U
Compression	
Image Resolution	1080P ( 1920x1080)/720P(1280x720)/D1 (704x576)
Encoding Speed	Max 480fps@D1 / 240fps@720P / 120fps@1080P
Recording Bit Rate	32~8192Kb/s,
Recording Quality	CBR, VBR
Recording Mode	Manual, Schedule( Regular(continuous),MD (Video detection: Motion detection, Camera Blank, Video Loss) Alarm), Stop
Recording Priority	Manual>Alarm>MD>Regular
Recording Interval	10、20、30、60min , Pre-record:10~600 sec, Post-record:5~60sec

#### Video Detection&Alarm

Trigger Events	Recording, PTZ movement, Tour, Alarm, FTP.
Motion Detection	Zones:396(22x18), Sensitivity:1~6 ( Level 6 is highest )
Video Loss&Camera Blank	Support

#### Playback&Backup

Playback Channel	4/8/16
Search Mode	Time/Date/Alarm
Playback Function	Play, Pause, Stop, Rewind, Fast play, Slow play, Next file, Previous file, Next camera, Previous Camera, Full screen, Repeat, Shuffle, Backup selection, Digital Zoom( any size)
Backup Mode	Flash drive/USB HDD/ USB CD&DVD-RW/ eSATA Device/Built-in SATA burner/Network

#### Network

Ethernet	RJ-45 port(10/100M/1000M)
Network Function	HTTP, TCP/IP, UPNP, RTSP, UDP, SMTP, NTP, DHCP, DNS, IP Filter, PPPOE, DDNS, FTP, Alarm Server, IP search
Remote Operation	Monitor, PTZ control, Playback, System setting, File download, Log information

#### Hard Disk

Hard Disk	8SATA port, 8HDDs, Up to 32 TB
eSATA	1
Space Occupation	Audio:28.8MB/H, Video:56~3600MB/H
HDD Management	HDD Group , HDD hibernation technology , HDD faulty alarm

#### Auxiliary Interface

USB Interface	3 USB2.0 ports for mouse control & backup
RS232	Keyboard, PC communication
RS485	PTZcontrol

#### Environment

Power Supply	AC220V,50Hz
Power Consumption	≤ 44W
Working Environment	—10°C - + 55°C/10%-90%RH
Dimension	2U , 90mm×441mm×470mm
Weight	≤ 8Kg(without HDD)



# ATR32HD8B

## 32CH Stand Alone NVR

### Features

- 32CH IP camera input, support 720P, 1080P
- 8CH 720P playback / 4CH 1080P playback
- HDMI x 2 and VGA output up to 1080P resolution
- Plug & Play, Smart recording system
- Intelligent Analysis: 2ch Built-in/32ch camera side IVA
- 16ch Alarm Input, 4ch Alarm Output, 1ch Audio Output
- 8 SATA slots (Up to 32TB)

### Specification

<b>Video&amp;Audio</b>		<b>Playback&amp;Backup</b>	
IP Camera Input	32ch 720P@3M / 24ch 1080P@4M	Playback Channel	4/8/16
Output	2xHDMI,1VGA,1BNC,3USB 2.0	Search Mode	Time/Date/Alarm
Voice Intercom	1channel 3.5mm interface	Playback Function	Play, Pause, Stop, Rewind, Fast play, Slow play, Next file, Previous file, Next camera, Previous Camera, Full screen, Repeat, Shuffle, Backup selection, Digital Zoom( any size)
<b>Display</b>		Backup Mode	Flash drive/USB HDD/ USB CD&DVD-RW/ eSATA Device/Built-in SATA burner/Network
Display Split	1\4\9\16	<b>Network</b>	
Resolution	1920x1080, 1280x720, 1024x768	Ethernet	RJ-45 port(10/100M/1000M)
Tour Display	Support	Network Function	HTTP, TCP/IP, UPNP, RTSP, UDP, SMTP, NTP, DHCP, DNS, IP Filter, PPPOE, DDNS, FTP, Alarm Server, IP search
OSD	Camera title, motion detection, recording, time. Video loss, camera lock.	Remote Operation	Monitor, PTZ control, Playback, System setting, File download, Log information
<b>Recording</b>		<b>Hard Disk</b>	
Video/Audio	H.264/ADPCM-DV14/G.711A/G.711U	Hard Disk	8SATA port, 8HDDs, Up to 32 TB
Compression		eSATA	1
Image Resolution	1080P ( 1920x1080)/720P(1280x720)/D1 (704x576)	Space Occupation	Audio:28.8MB/H, Video:56~3600MB/H
Encoding Speed	Max 480fps@D1 / 240fps@720P / 120fps@1080P	HDD Management	HDD Group , HDD hibernation technology , HDD faulty alarm
Recording Bit Rate	32~8192Kb/s,	<b>Auxiliary Interface</b>	
Recording Quality	CBR, VBR	USB Interface	3 USB2.0 ports for mouse control & backup
Recording Mode	Manual, Schedule( Regular(continuous), MD (Video detection: Motion detection, Camera Blank, Video Loss) Alarm), Stop	RS232	Keyboard, PC communication
Recording Priority	Manual>Alarm>MD>Regular	RS485	PTZcontrol
Recording Interval	10、20、30、60min , Pre-record:10~600 sec, Post-record:5~60sec	<b>Environment</b>	
<b>Video Detection&amp;Alarm</b>		Power Supply	AC220V,50Hz
Trigger Events	Recording, PTZ movement, Tour, Alarm, FTP.	Power Consumption	≤ 44W
Motion Detection	Zones:396(22x18), Sensitivity:1~6 ( Level 6 is highest )	Working Environment	—10°C - + 55°C/10%-90%RH
Video Loss&Camera Blank	Support	Dimension	2U , 90mm×441mm×470mm
		Weight	≤ 8Kg(without HDD)



# AVM-2812DIR-3.0

3.0 Megapixel, 2.8-12mm, F1.4  
DC IRIS, IR-corrected Lens

## Specification

### Optical & Mechanical Specifications

<b>Image Format</b>		1/2.7" & 1/3"
<b>Focal Length</b>		2.8-12mm
<b>Aperture Ratio</b>		F1.4 - 360
<b>Angle of View (1/2.7")</b>	<b>D</b>	99.4° - 40.3°
	<b>H</b>	86.6° - 32.7°
	<b>V</b>	70.5° - 24.8°
<b>Angle of View (1/3")</b>	<b>D</b>	93.9° - 28.1°
	<b>H</b>	81.2° - 22.6°
	<b>V</b>	65.5° - 17.1°
<b>Mount</b>		CS mount

### Optical & Mechanical Specifications

<b>Operation</b>	<b>Iris</b>	DC Auto (F1.4-360)
	<b>Focus</b>	Manual
	<b>Zoom</b>	Manual
<b>Operating Voltage</b>	<b>Open</b>	Less than 4V
	<b>Close</b>	More than 0.5V

### Environment

<b>Operating Temperature</b>	-10C° - +50C°
<b>Dimensions</b>	Φ 30(W) x 44(H) x 38.5(L) mm
<b>Weight</b>	48g
<b>Place of Production</b>	Japan



# AVM-0750DIR-3.0

3.0 Megapixel, 7-50mm, F1.6  
DC IRIS, IR-corrected Lens

## Specification

### Optical & Mechanical Specifications

<b>Image Format</b>		1/2.7" & 1/3"
<b>Focal Length</b>		2.8-12mm
<b>Aperture Ratio</b>		F1.4 - 360
<b>Angle of View (1/2.7")</b>	<b>D</b>	50° - 7.5°
	<b>H</b>	41.3° - 6.5°
	<b>V</b>	31.6° - 3.7°
<b>Angle of View (1/3")</b>	<b>D</b>	46.4° - 6.9°
	<b>H</b>	37.8° - 5.5°
	<b>V</b>	28.8° - 4.1°
<b>Mount</b>		CS mount

### Optical & Mechanical Specifications

<b>Operation</b>	<b>Iris</b>	DC Auto (F1.6-360)
	<b>Focus</b>	Manual
	<b>Zoom</b>	Manual
<b>Operating Voltage</b>	<b>Open</b>	Less than 4V
	<b>Close</b>	More than 0.5V

### Environment

<b>Operating Temperature</b>	-10°C - +50°C
<b>Dimensions</b>	Φ 42(W) x 47(H) x 64.0(L) mm
<b>Weight</b>	123g
<b>Place of Production</b>	Japan





# AVM-3312DIR-2.0

2.0 Megapixel, 3.3-12mm, F1.4  
DC IRIS, IR-corrected Lens

## Specificatio

### Optical & Mechanical Specifications

<b>Image Format</b>		1/2.7" & 1/3"
<b>Focal Length</b>		3.3-12mm
<b>Aperture Ratio</b>		F1.4 - 360
<b>Angle of View (1/2.7")</b>	<b>D</b>	102° - 37.3°
	<b>H</b>	79.3° - 29.8°
	<b>V</b>	59.5° - 22.4°
<b>Angle of View (1/3")</b>	<b>D</b>	90° - 32°
	<b>H</b>	73° - 25.8°
	<b>V</b>	54.6° - 19.4°
<b>Mount</b>		CS mount

### Optical & Mechanical Specifications

<b>Operation</b>	<b>Iris</b>	DC Auto (F1.4-360)
	<b>Focus</b>	Manual
	<b>Zoom</b>	Manual
<b>Operating Voltage</b>	<b>Open</b>	Less than 4V
	<b>Close</b>	More than 0.5V

### Environment

<b>Operating Temperature</b>	-10C <sup>0</sup> - +50C <sup>0</sup>
<b>Dimensions</b>	Φ 29(W) x 42.7(H) x 43(L) mm
<b>Weight</b>	62g
<b>Place of Production</b>	China

# Support and Measured List

## ATR NVR Support IP camera Brands (Onvif)



The names on the list are in alphabetical order

## ATN IP Camera Can Work With Below System (Onvif)



The Open Platform Company

The names on the list are in alphabetical order