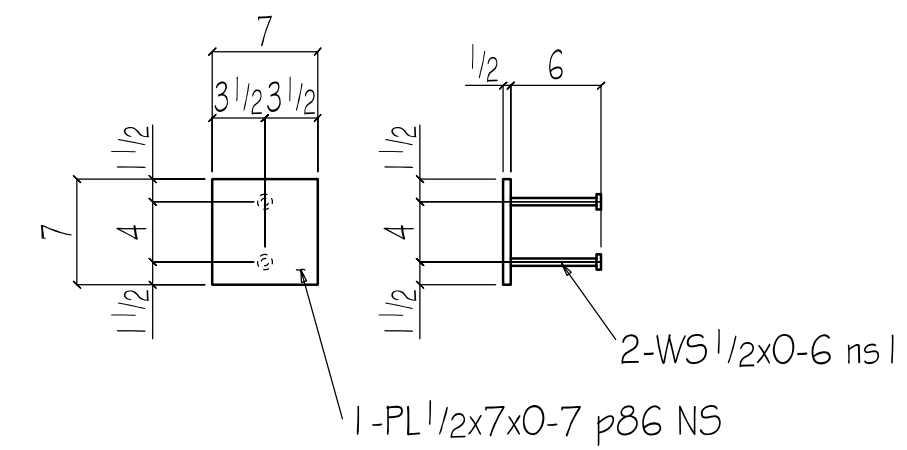
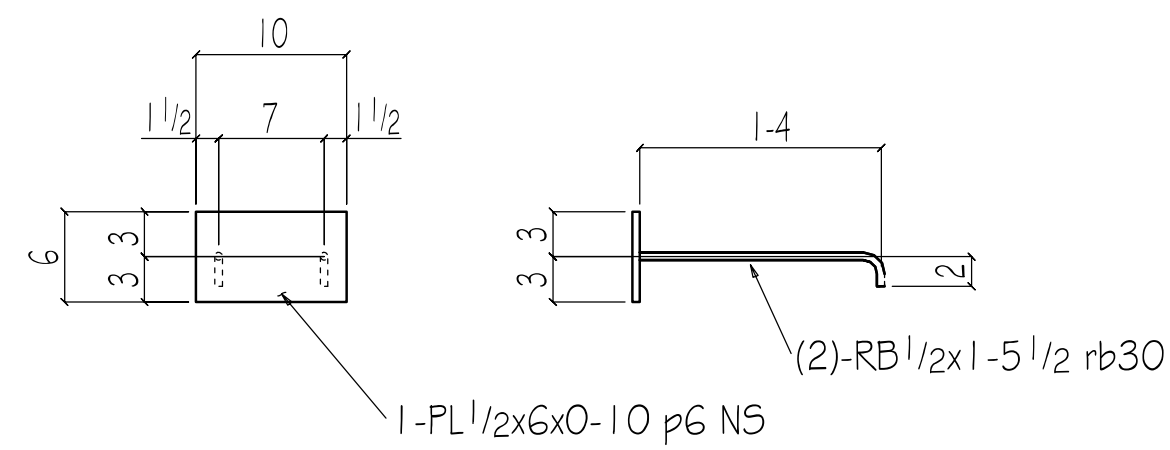


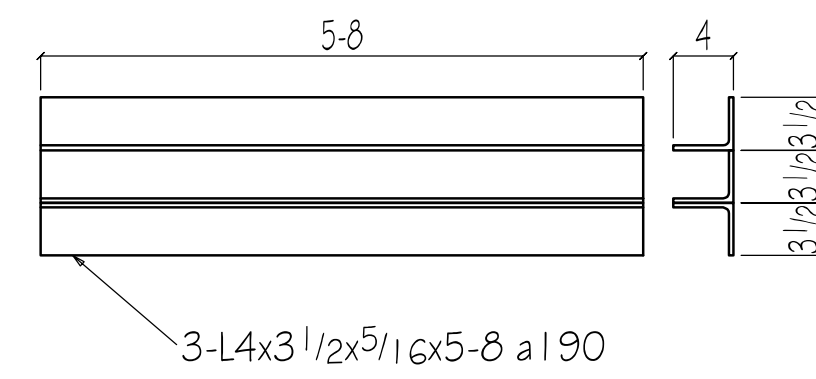
136 JOIST PLATES JP1



30 BRG. PLATES BP4



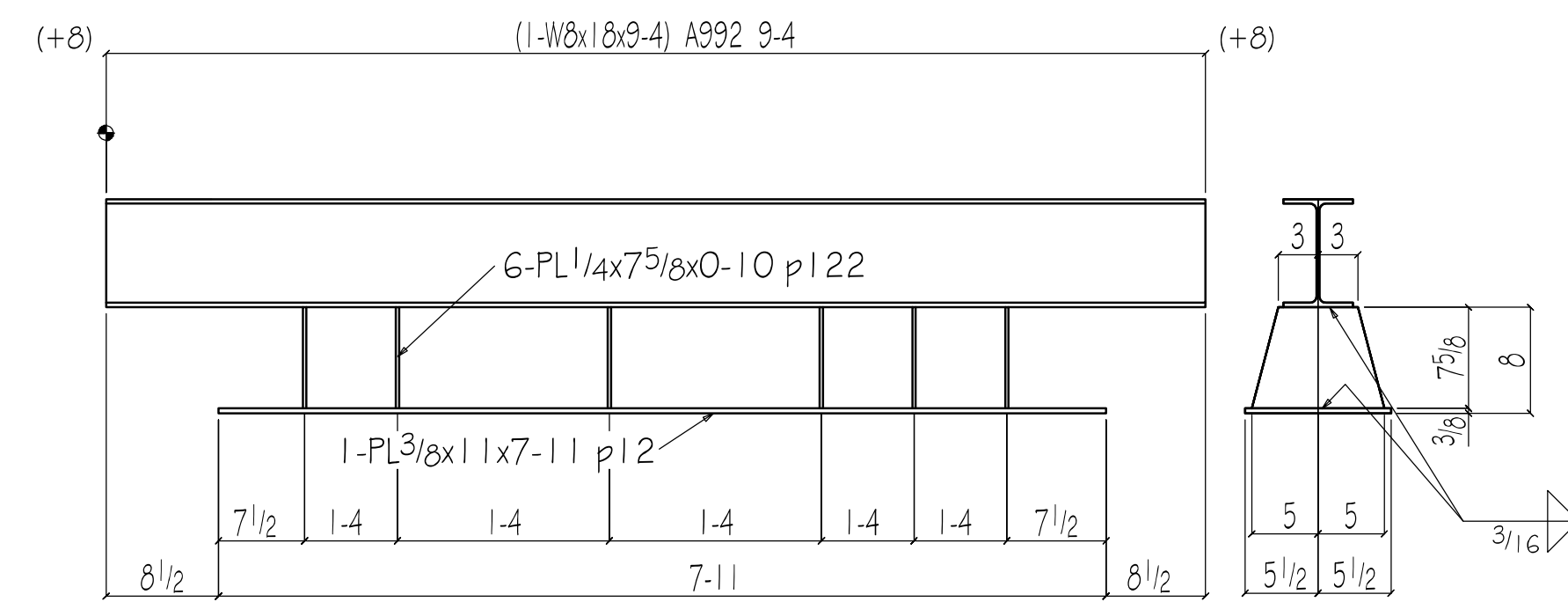
32 JOIST PLATES JP2



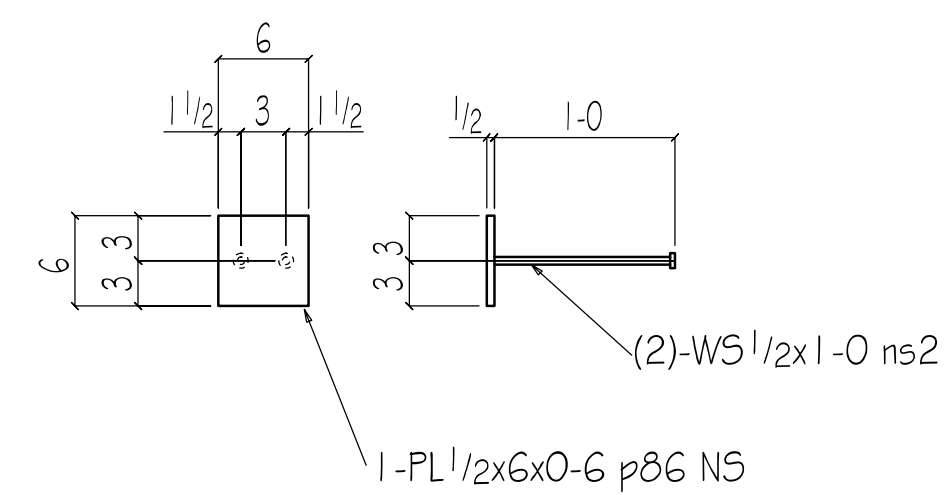
ONE LINTEL L1A

TACK WELD ASSEMBLY

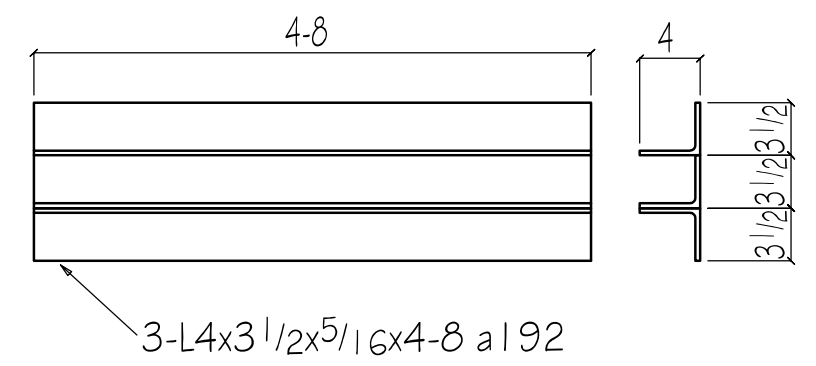
GALVANIZED



ONE BEAM L3A



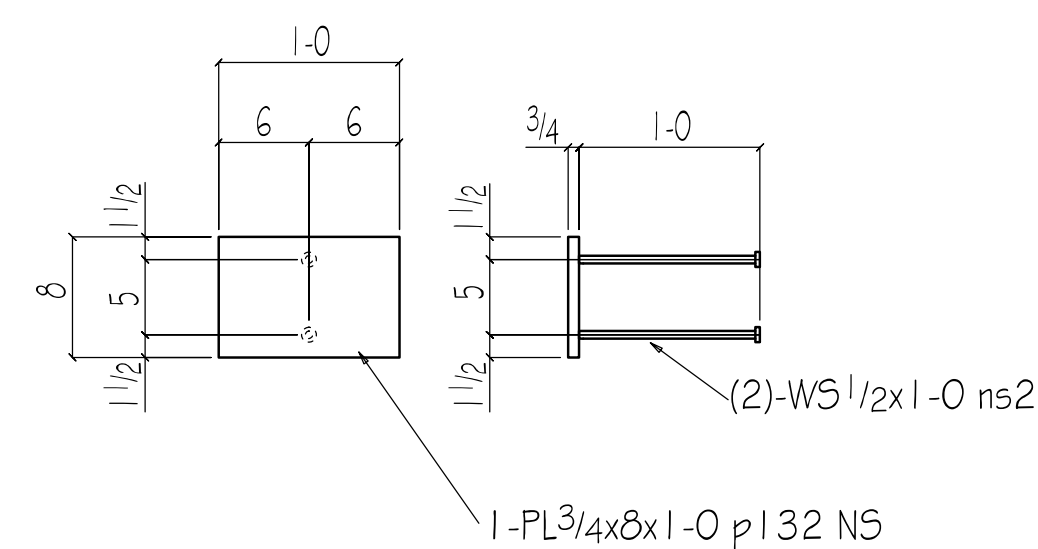
ONE BRG. PLATE BP1



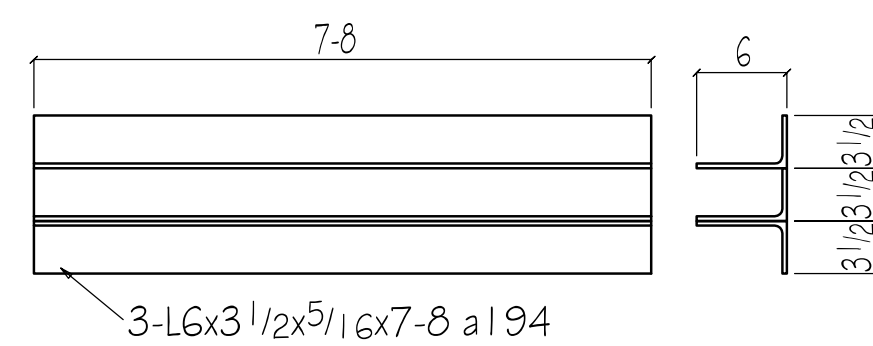
8 LINTELS L1B

TACK WELD ASSEMBLY

GALVANIZED



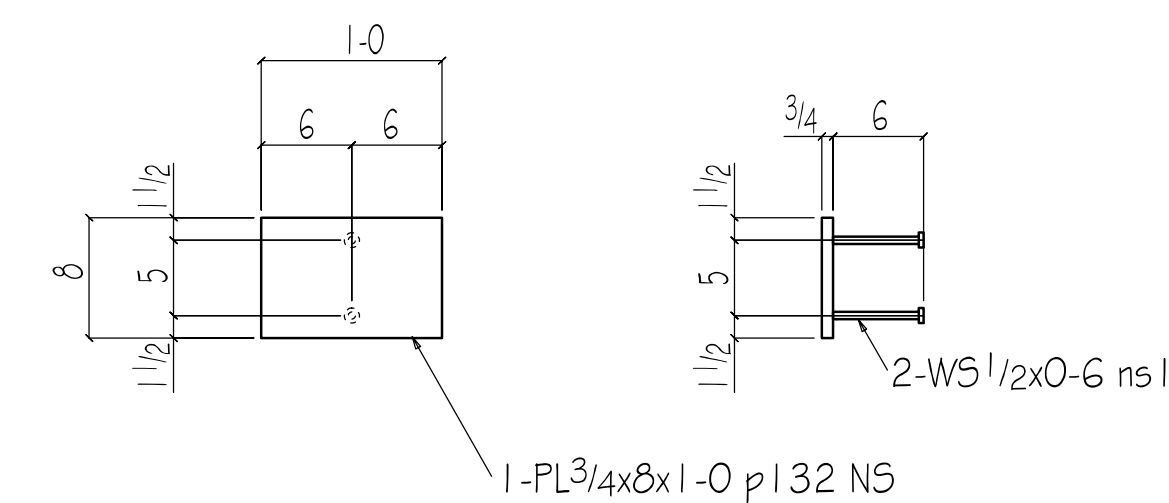
ONE BRG. PLATE BP2



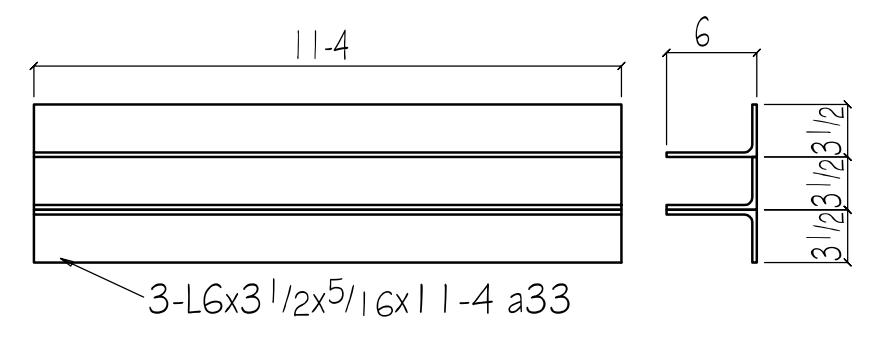
2 LINTELS L2A

TACK WELD ASSEMBLY

GALVANIZED



4 BRG. PLATES BP3



ONE LINTEL L2B

TACK WELD ASSEMBLY

GALVANIZED

BILL OF MATERIAL					
QTY. Total	Piece Mark	Material Description	Length Feet Inches	Steel Grade	Remarks
136	JP1	JOIST PLATE			
136	p2	PL 1/2x4	0 9	A36	
272	rb30	RB 1/2	1 5 1/2	A36	
32	JP2	JOIST PLATE			
32	p6	PL 1/2x6	0 10	A36	
64	rb30	RB 1/2	1 5 1/2	A36	
ONE	BP1	BRG. PLATE			
1	p86	PL 1/2x6	0 6	A36	
2	ns2	WS 1/2	1 0	A108	
ONE	BP2	BRG. PLATE			
1	p132	PL 3/4x8	1 0	A36	
2	ns2	WS 1/2	1 0	A108	
4	BP3	BRG. PLATE			
4	p132	PL 3/4x8	1 0	A36	
8	ns1	WS 1/2	0 6	A108	
30	BP4	BRG. PLATE			
30	p86	PL 1/2x7	0 7	A36	
60	ns1	WS 1/2	0 6	A108	
ONE	L1A	LINTEL			
3	a190	L4x3 1/2x5 1/16	5 8	A36	
8	L1B	LINTEL			
24	a192	L4x3 1/2x5 1/16		A36	
2	L2A	LINTP			HOT DIP GALV
6	a194			A36	
					HOT DIP GALV
			11 4	A36	
		BEAM			
		W8x18	9 4	A992	
1	p12	PL 3/8x11	7 11	A36	
6	p122	PL 1/4x7 5/8	0 10	A36	

Copyright © 2021 Mid-Atlantic Structural Detailing, Inc. - All Rights Reserved. Not for Distribution