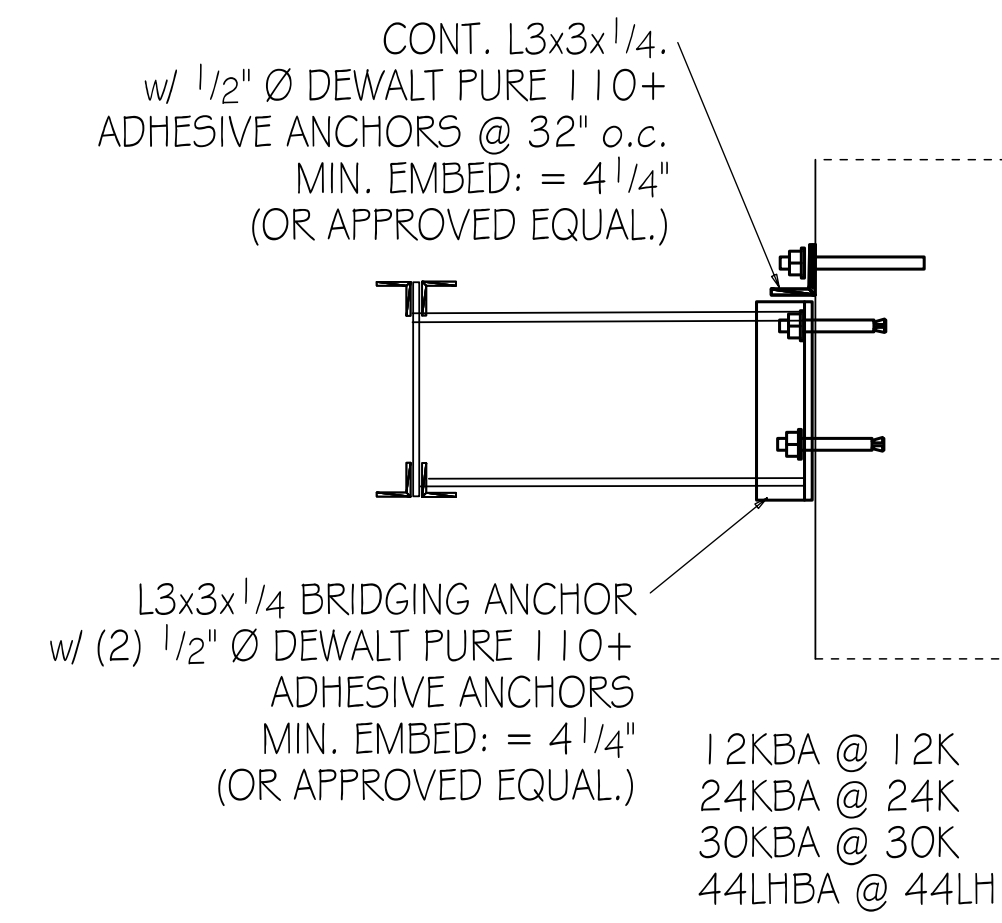
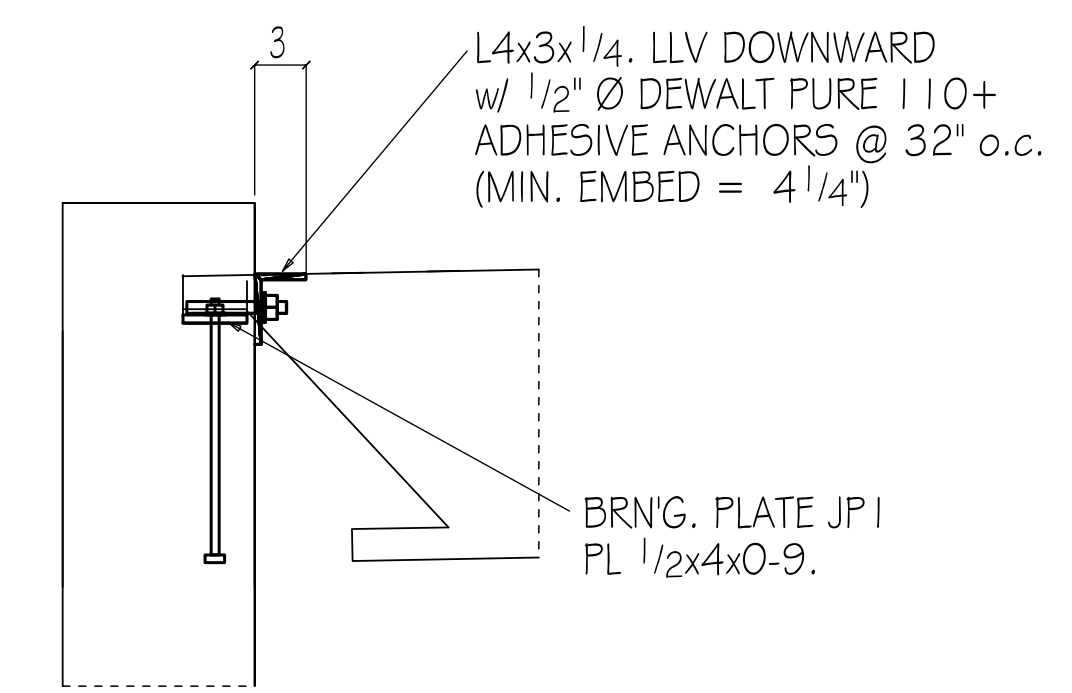


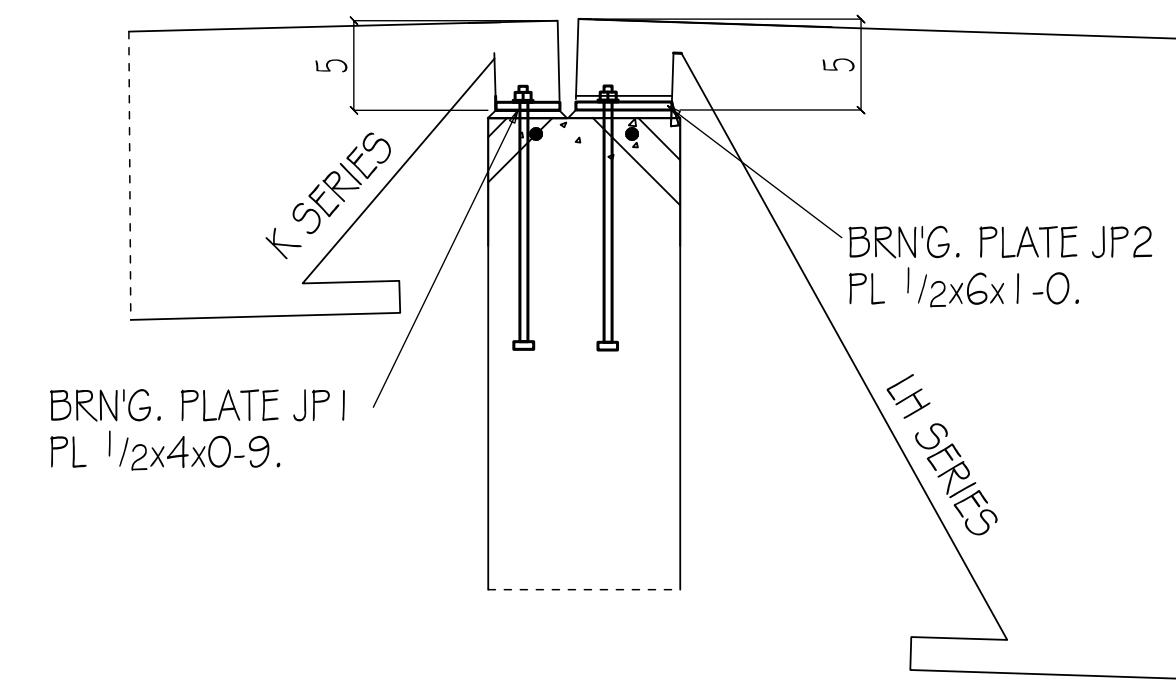
SECTION 1-E15  
13-5303



SECTION 2-E15  
14-5303

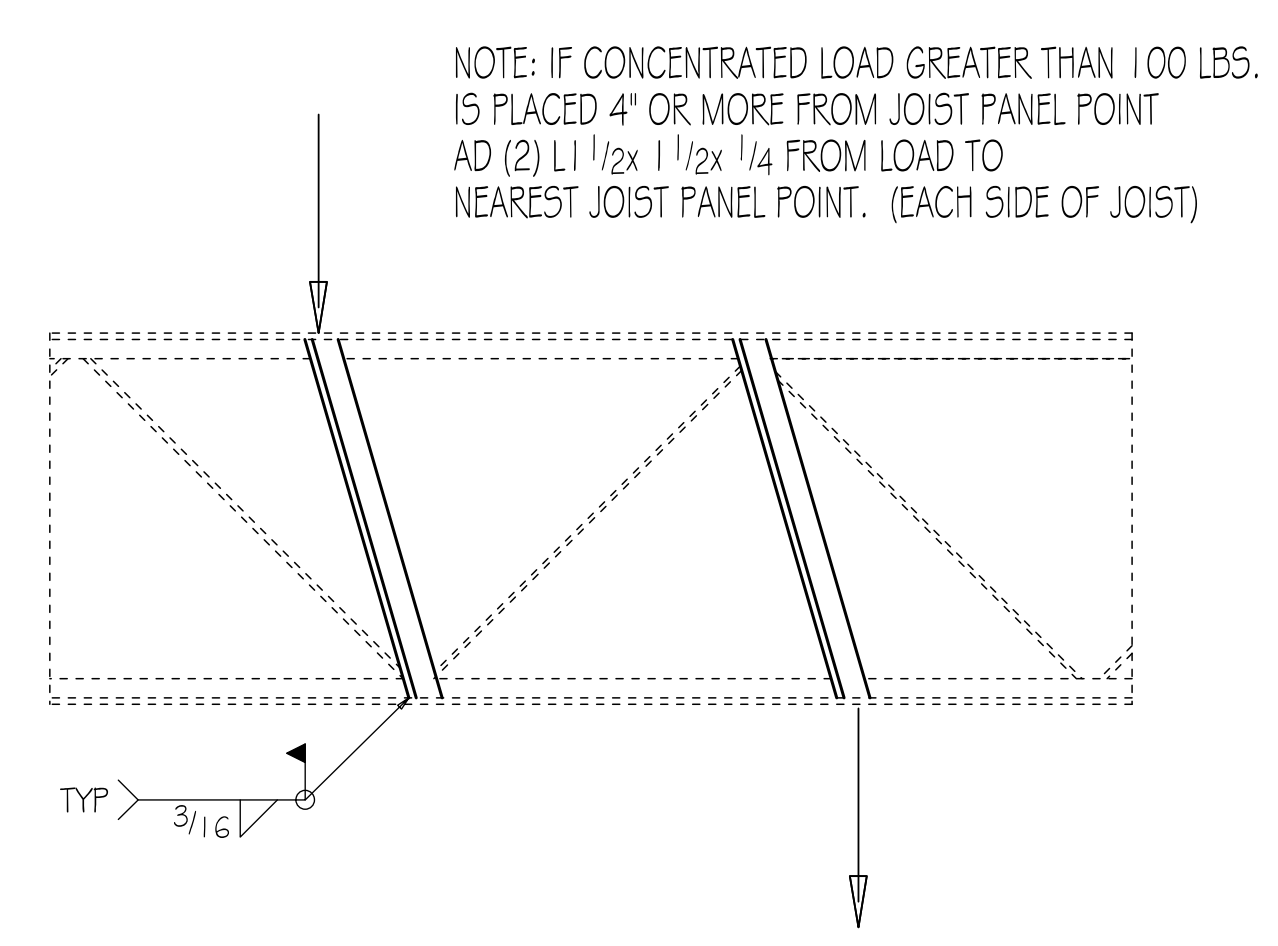


SECTION 3-E15  
6-5303

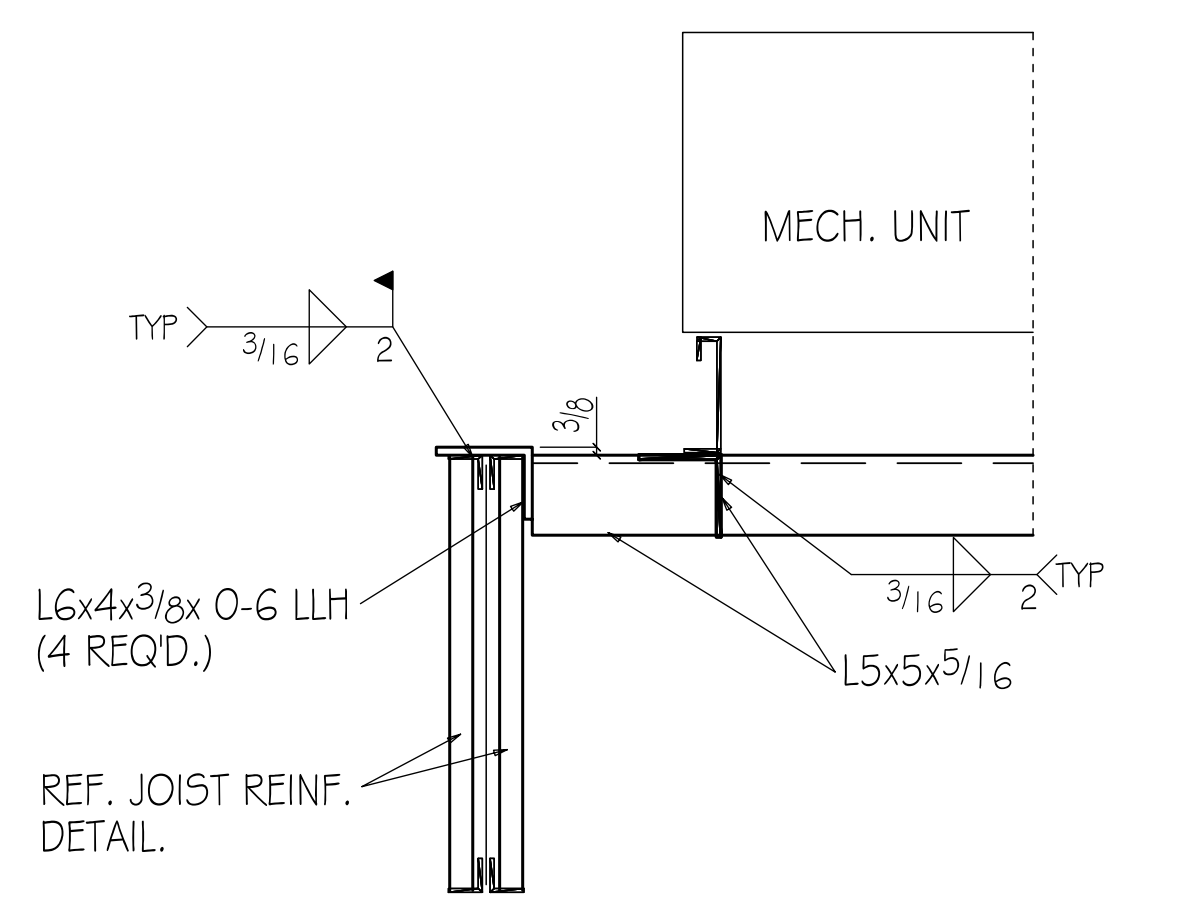


SECTION 4-E15  
7-5303

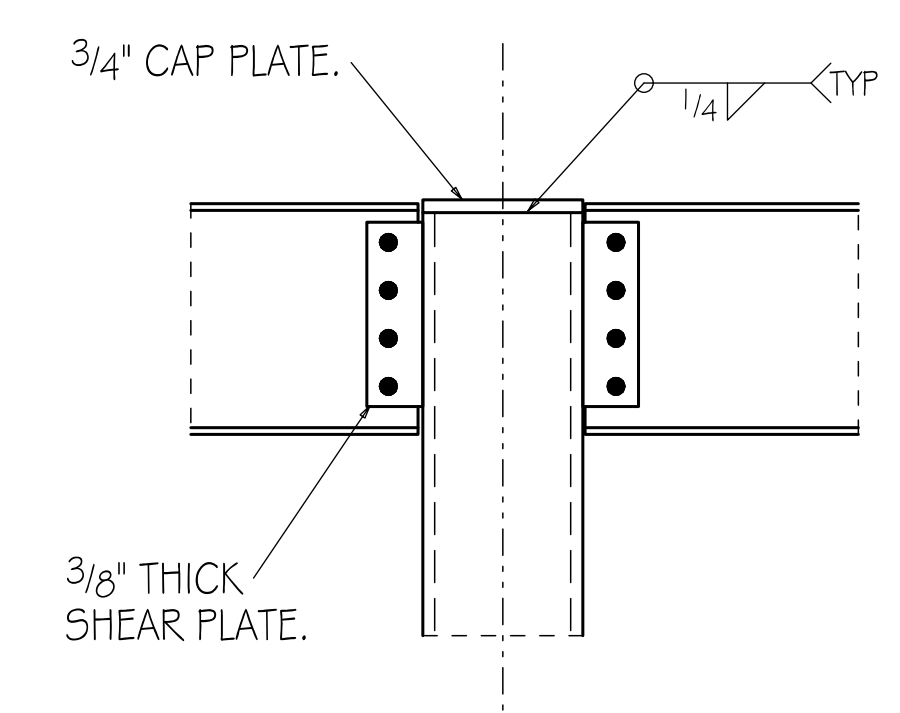
TYPICAL DETAILS AND SECTIONS



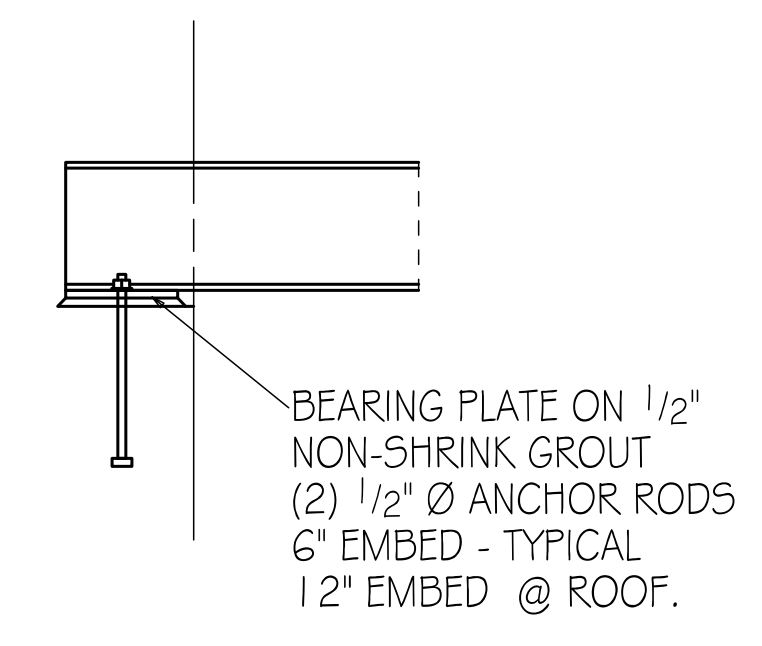
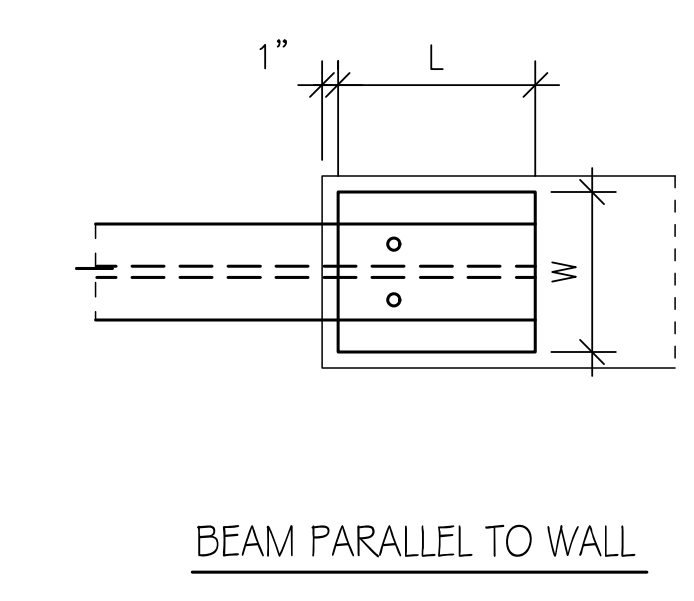
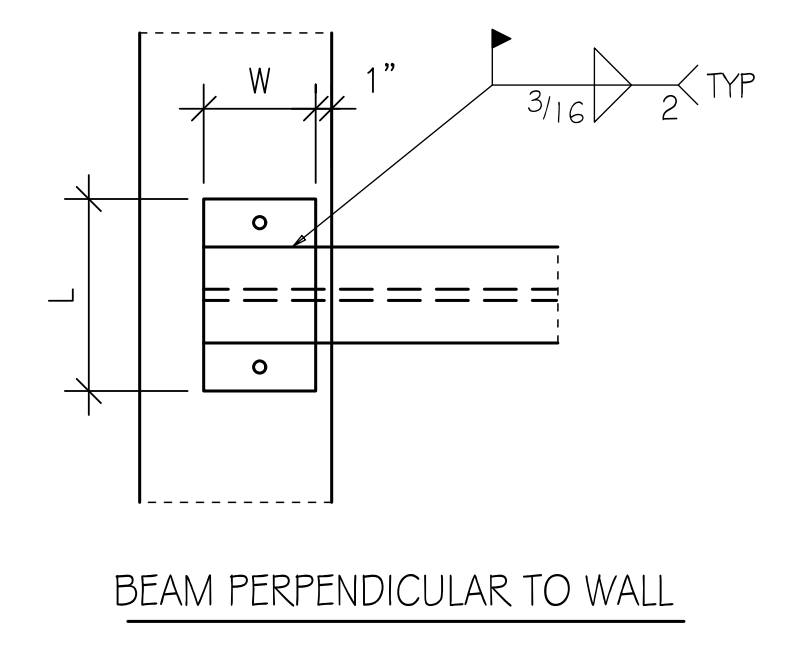
1-E3 JOIST REINFORCEMENT DETAIL  
R-5301



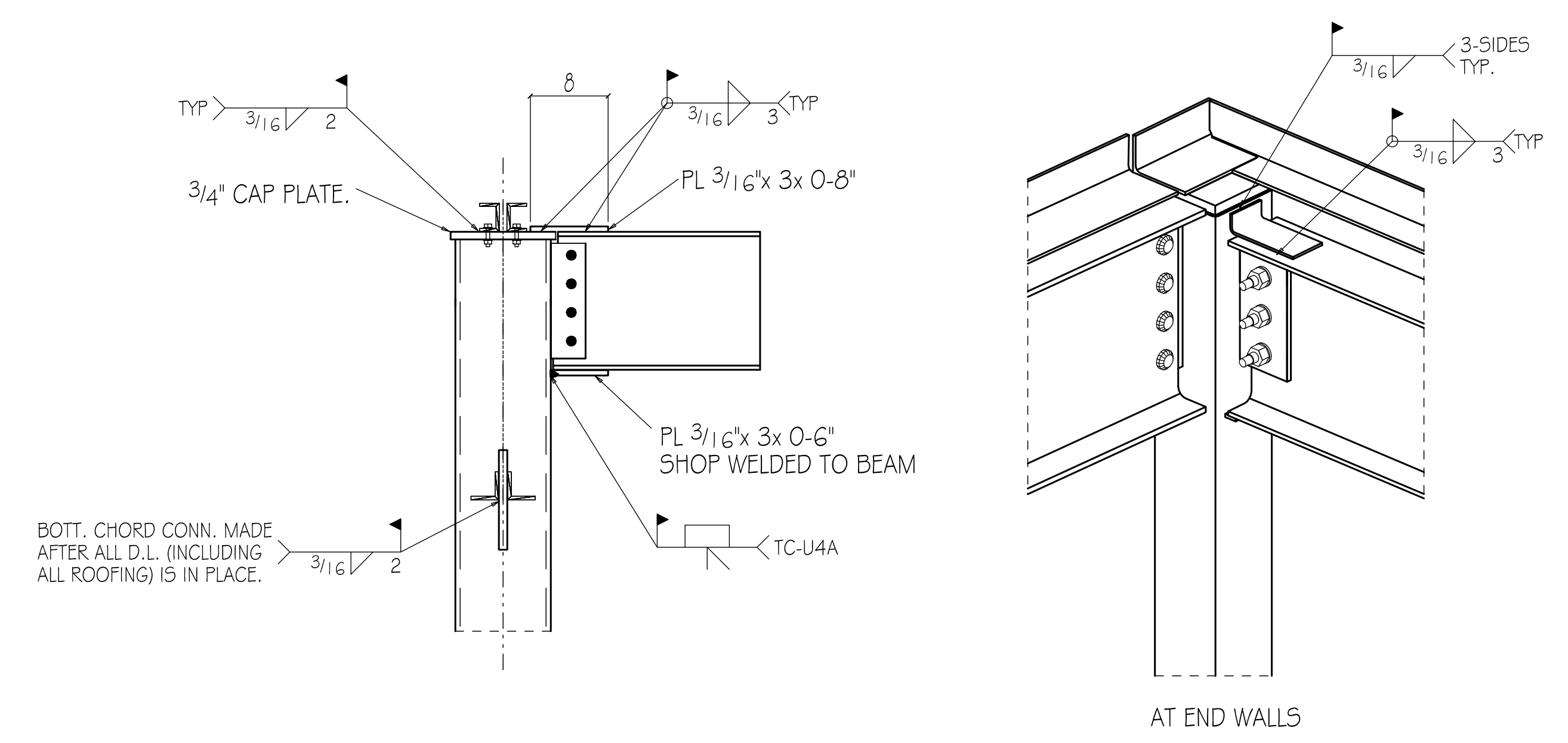
2-E3 ROOF TOP UNIT SUPPORT DETAIL  
S-5301



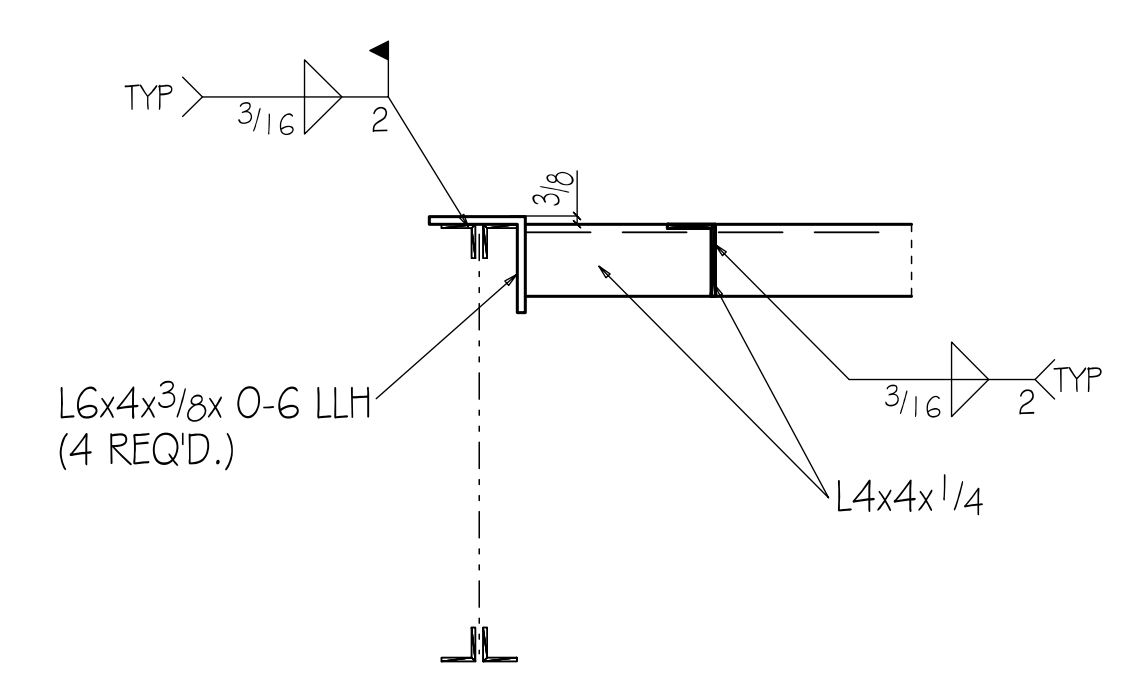
5-E3 TYPICAL BEAM - COLUMN DETAIL  
M-5301



TYPICAL BEAM BEARING DETAILS  
F-5301



6-E3 TYPICAL BEAM - COLUMN DETAIL  
N-5301



3-E3 TYPICAL ROOF  
T-5301

Copyright © 2021 Mid-Atlantic Structural Detailing, Inc. - All Rights Reserved.

Not for Distribution