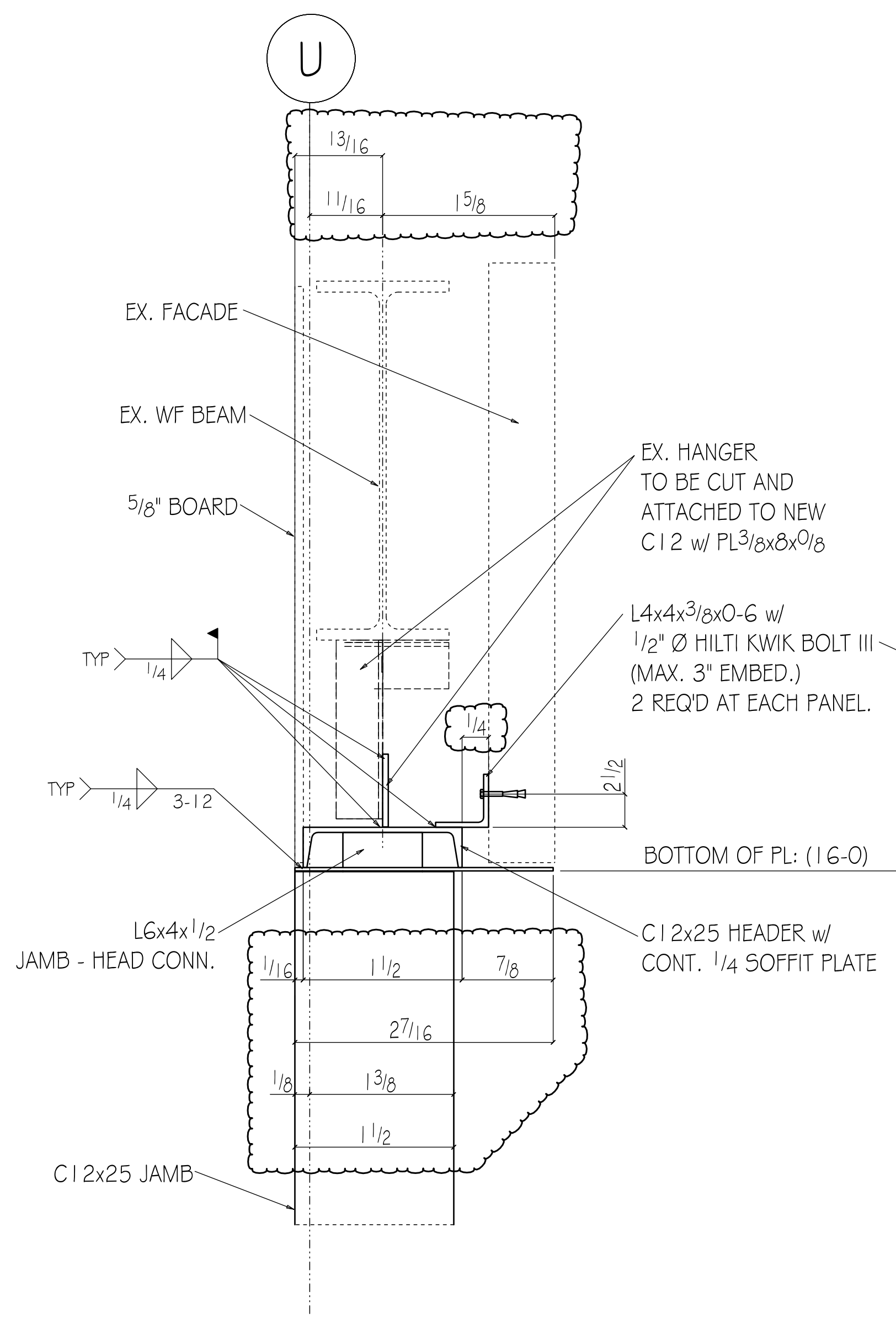
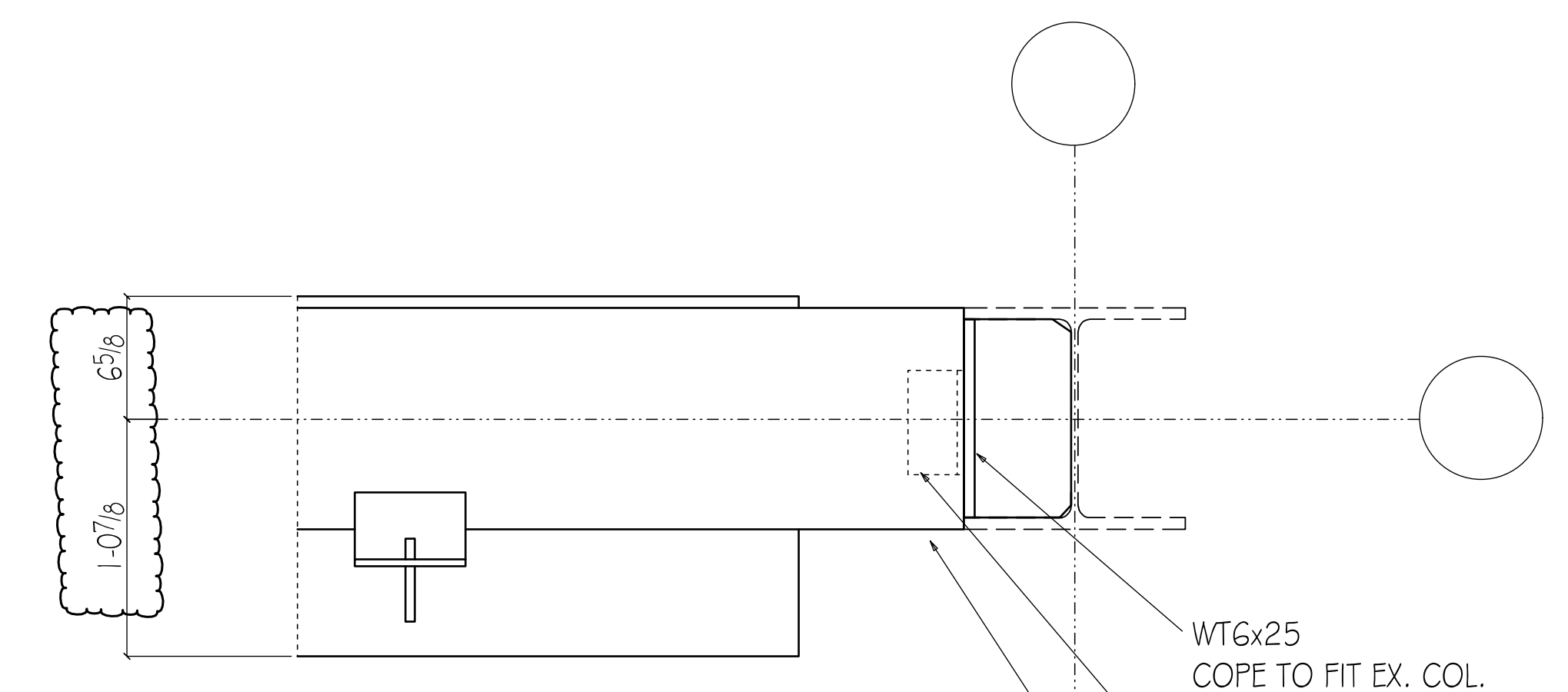


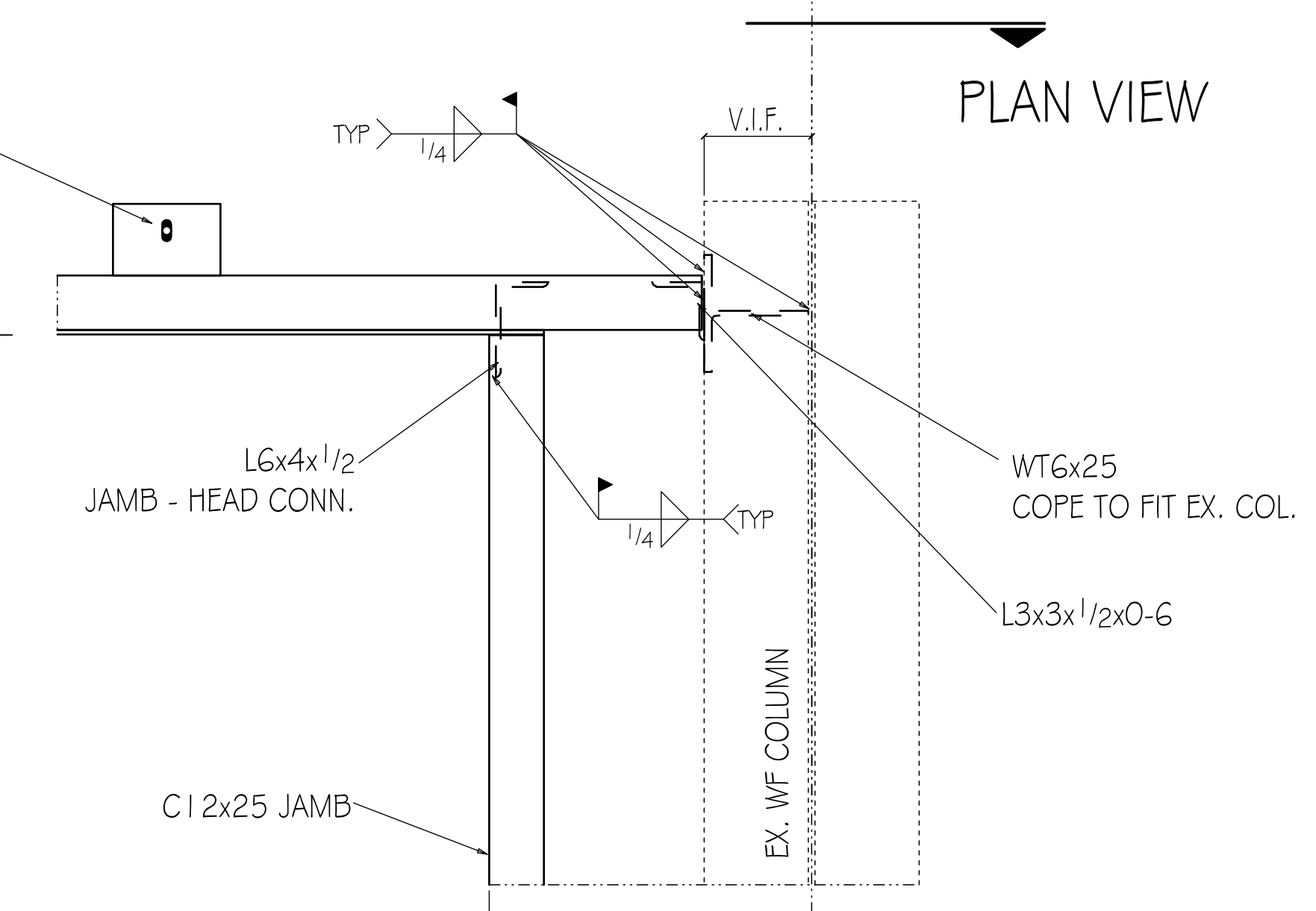
**GENERAL NOTES:**  
 1. ALL CLOUDED AREAS REQUIRE APPROVER REVIEW - COMMENT.  
 2. ALL EXISTING CONDITIONS AND DIMENSIONS MUST BE FIELD VERIFIED PRIOR TO FABRICATION OF STEEL FRAMING.



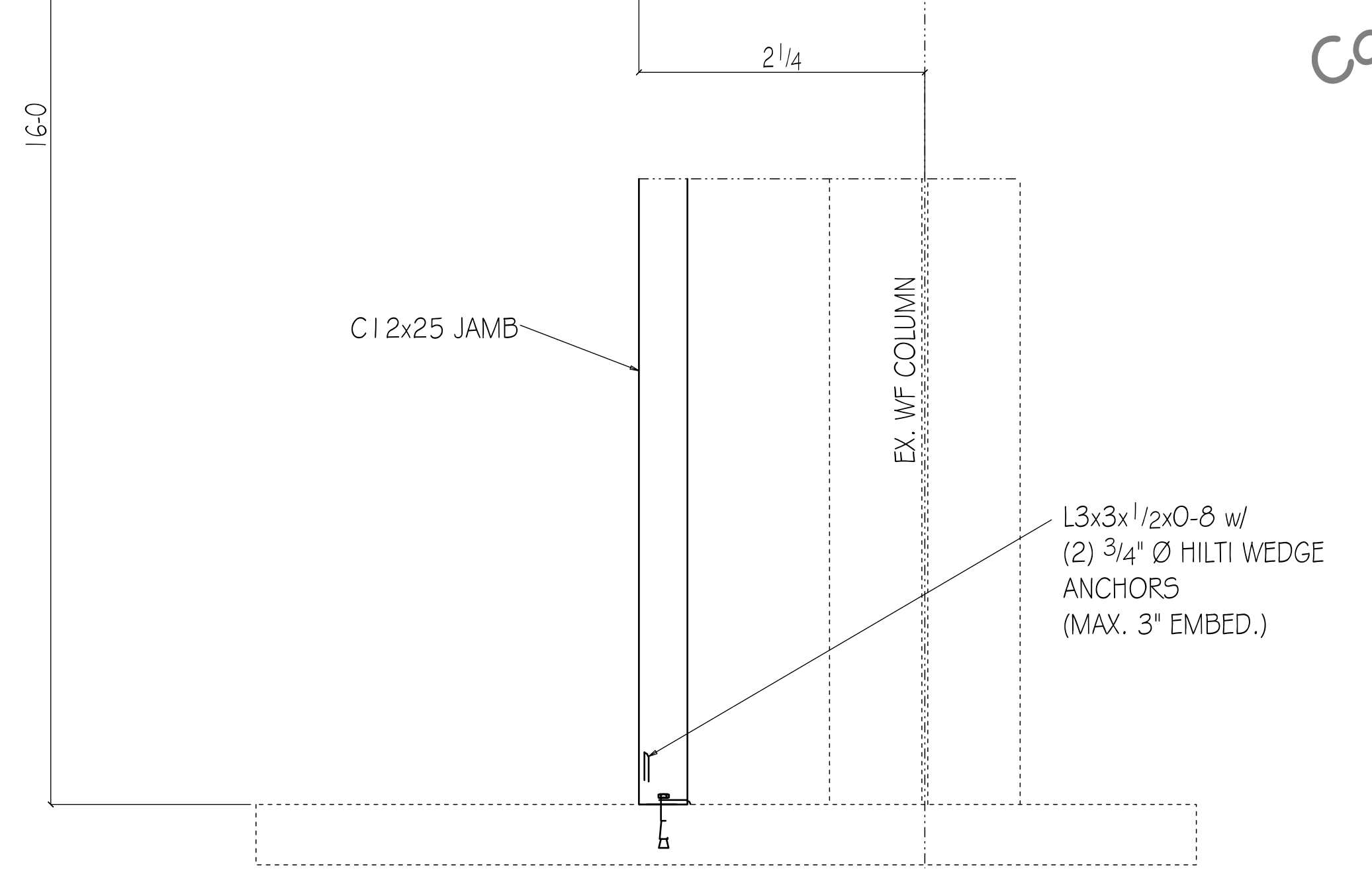
**SECTION 1-E15**



**PLAN VIEW**



**PLAN VIEW**



**SECTION 2-E15**

*Not for Distribution*  
 Copyright © 2021 Mid-Atlantic Structural Detailing, Inc. - All Rights Reserved.

NO.	DATE	REVISION DESCRIPTION	ISSUED BY
B	01-21-2021	PER APPROVAL COMMENTS	MASD
A	12-29-2020	INITIAL SUBMITTAL FOR APPROVAL	MASD