

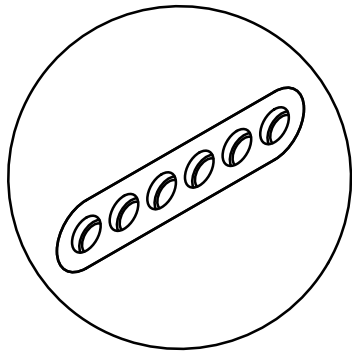
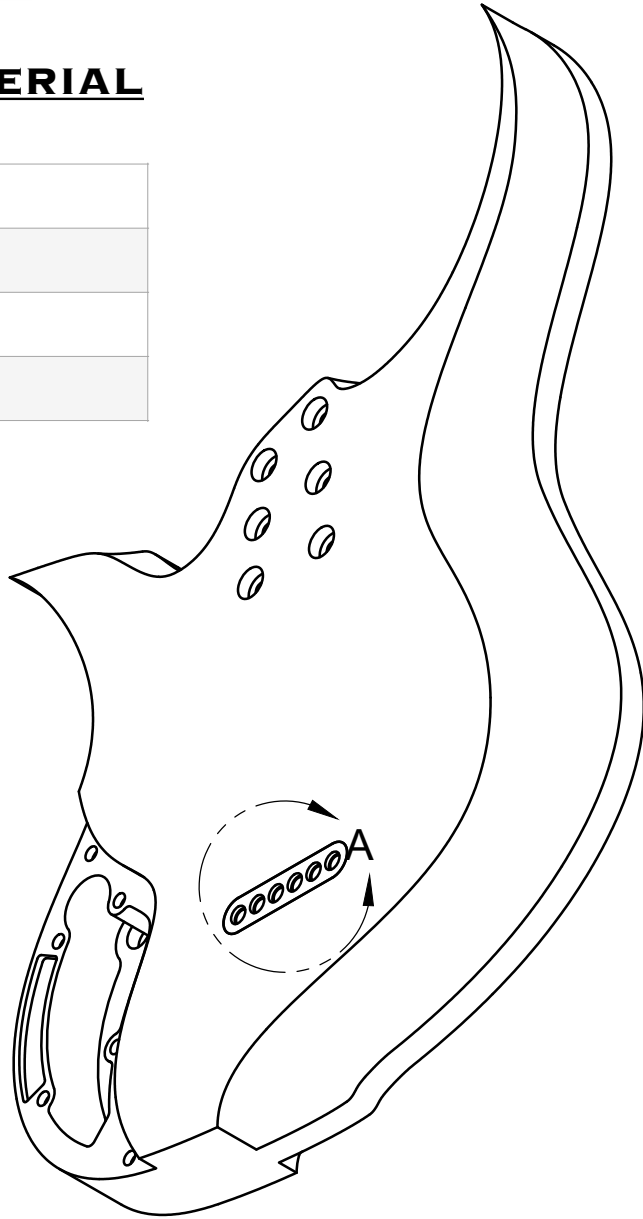


CONTRIVER GUITARS


PLAN TO BE FOLLOWED

ORIGINAL OWNER + SERIAL

NAME	
SOCIAL	
BAND	
EMAIL	



DETAIL A
DEEP EBONY STRING RETAINER
SCALE 1:1

	PROJECT CONTRIVER GUITARS			
	TITLE SIGNATURE 6 BARITONE			
APPROVED	SIZE	CODE	DWG NO	REV
CHECKED	B			
DRAWN Brett Bailey 2024-02-09	SCALE 1:3.25	WEIGHT	SHEET 1/1	

THANK YOU FOR YOUR CONTINUED INTEREST IN OUR WORK!

OUR DESIGNS ARE METICULOUSLY PLANNED AND EXECUTED WITH UNWAVERING DILIGENCE IN PLAYABILITY, SOUND, WEIGHT, APPEARANCE, PHYSICS & ERGONOMICS.

USING OUR SPECIALIZED CAD/CAM SOFTWARE, WE CONSIDER EVERY INTRICATE DETAIL BEFORE THE MANUFACTURING PROCESS IS DEVELOPED.

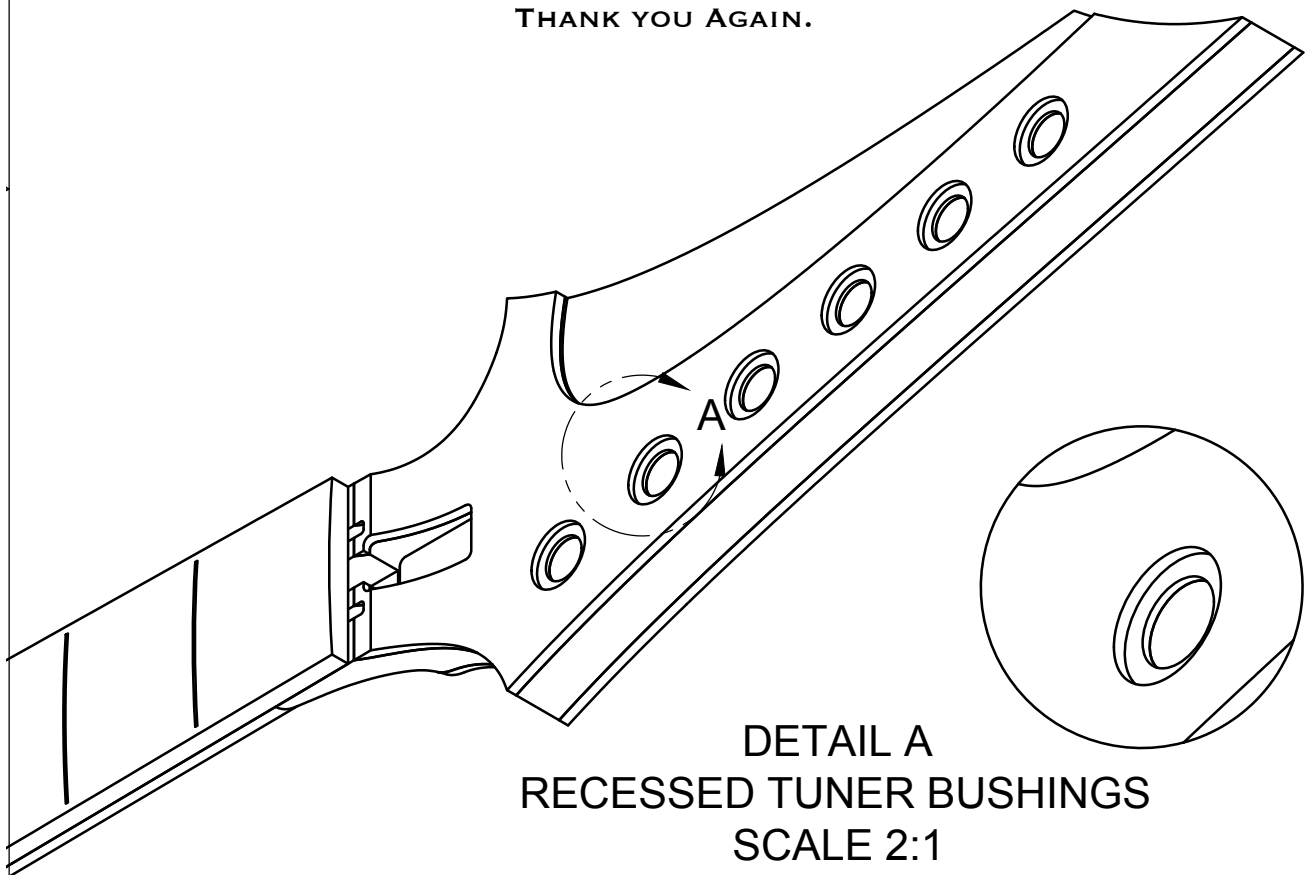
OUR WOOD STOCK IS CAREFULLY HAND SELECTED EMPLOYING A STRICT PROCESS CONSIDERING WEIGHT, GRAIN PATTERN, COLOUR, MOISTURE CONTENT, AND STRUCTURAL INTEGRITY.

NINETY PERCENT OF THE WOOD WE ARE OFFERED IS REJECTED AS UNUSABLE.

AFTER SELECTION, EACH PIECE SPENDS A MINIMUM OF SIX MONTHS IN OUR PROPRIETARY STORING METHOD ALLOWING IT TO ACCLIMATIZE AND DE-STRESS BEFORE PRODUCTION.

UTILIZING OUR CNC MANUFACTURING TECHNIQUES, WE ARRIVE AT THE MOST PRECISE DIMENSIONS POSSIBLE. COMPUTER DRIVEN PRECISION, CAPABLE OF ACHIEVING RESULTS IN A TIMELY, SCALABLE MANNER.

THANK YOU AGAIN.

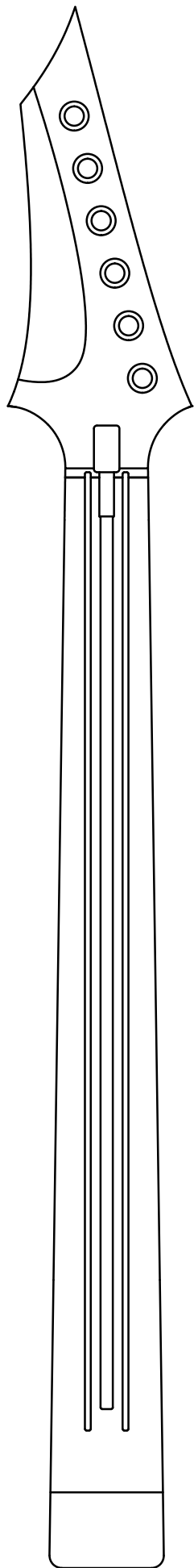


DETAIL A
RECESSED TUNER BUSHINGS
SCALE 2:1




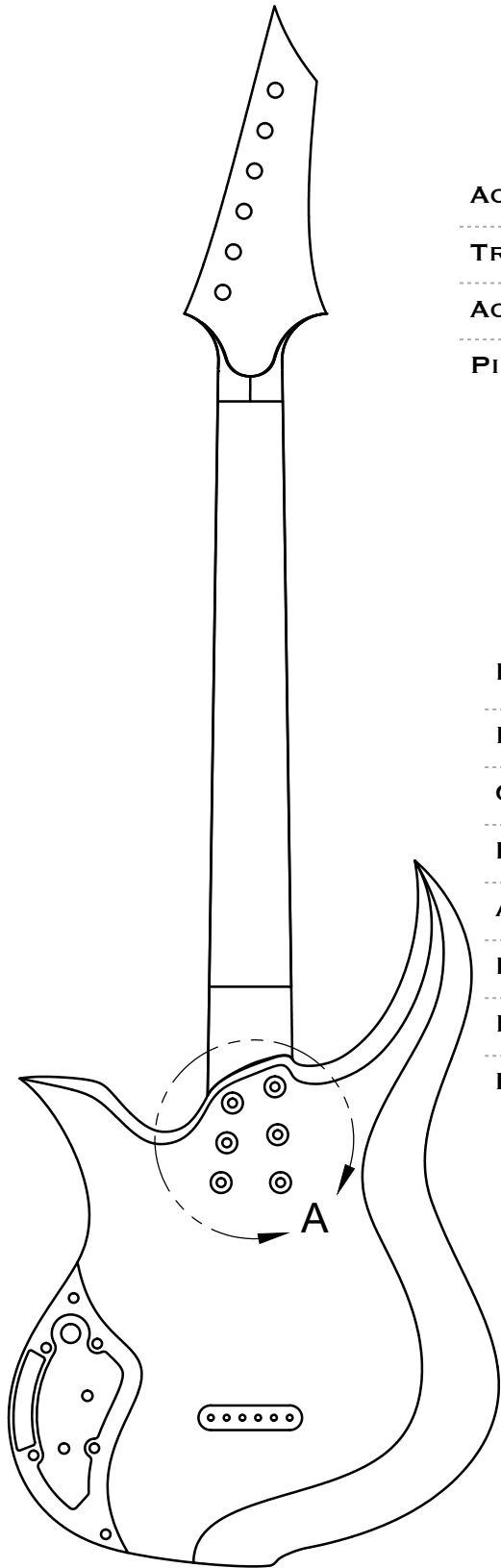
		PROJECT CONTRIVER GUITARS			
		TITLE SIGNATURE 6 BARITONE			
APPROVED	SIZE	CODE	DWG NO	REV	
CHECKED	B				
DRAWN	Brett Bailey	2024-02-09	SCALE 1:10	WEIGHT	
			SHEET 1/1		

BUILD SPECS



MODEL + TIER	
STRING COUNT	
SCALE LENGTH	
COMPOUND RADIUS	
BOLT ON OR SET NECK	
NECK MATERIAL	
FRETBOARD MATERIAL	
HEADSTOCK ACCENT	
FACE DOTS	
TIER 3 INLAY	
SIDE DOTS	
BODY MATERIAL	
TOP MATERIAL	
PICKGUARD	
GRAIN FILL(ASH)	
FINISH	
HARDWARE COLOUR	
BRIDGE	
PICKUPS	
CONTROL LAYOUT	
KNOBS	
TUNING	
OPTION 23	
WEIGHT	

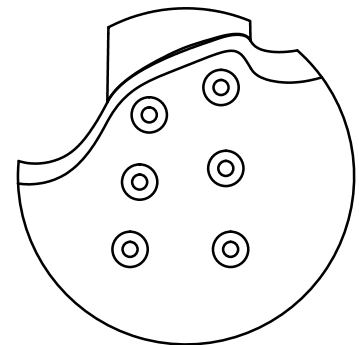
	PROJECT			CONTRIVER GUITARS	
	TITLE			SIGNATURE 6 BARITONE	
APPROVED	SIZE	CODE	DWG NO	REV	
CHECKED	B				
DRAWN	Brett Bailey	2024-02-09	SCALE 1:10	WEIGHT	SHEET 1/1



ACTION AT NUT	0.010"
TRUSS ROD RELIEF AT 7TH	0.030"
ACTION AT 24TH	0.040"
PICKUP HEIGHT TO BOTTOM OF STRING	.0125"

E	0.009"	16.2LBS
B	0.0125"	17.6LBS
G(F#)	0.016"W (0.017"P)	18.1LBS
D	0.024w	18.7LBS
A	0.034w	21.2LBS
E	0.048w	22.4LBS
B	0.064w	23LBS
F#	0.085w	21.6LBS

DETAIL A
6 BOLT PATTERN
SCALE 1:2



PROJECT

CONTRIVER GUITARS

TITLE

SIGNATURE 6 BARITONE

APPROVED

CHECKED

DRAWN Brett Bailey 2024-02-09

SIZE

B

CODE

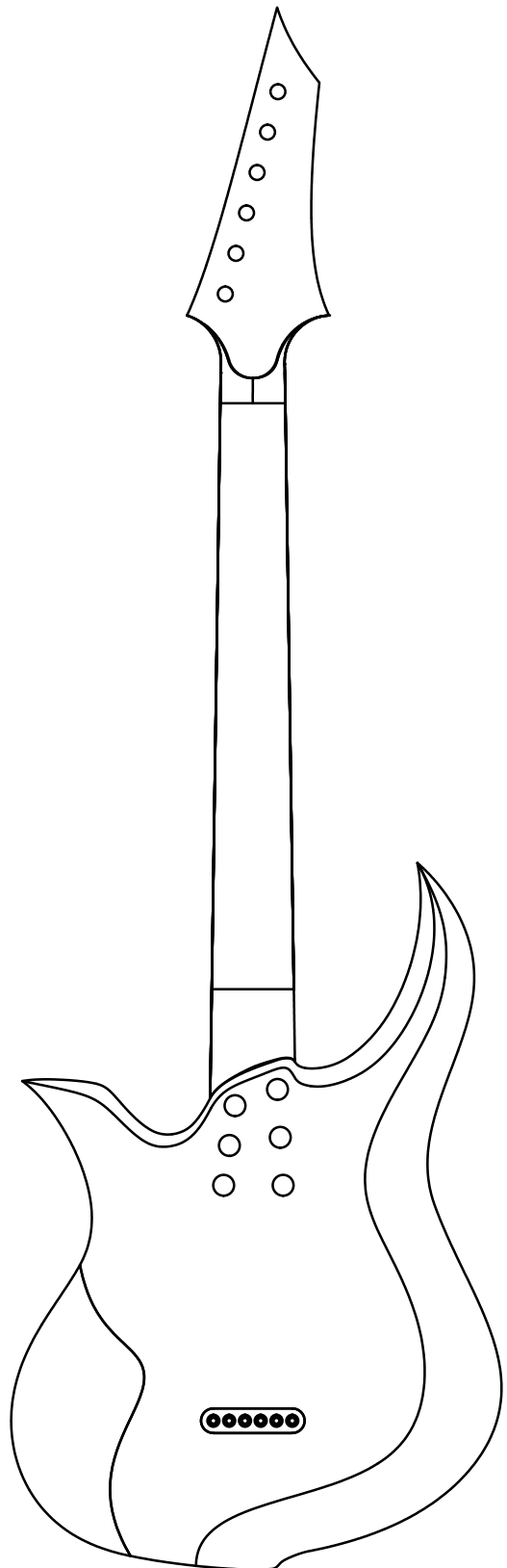
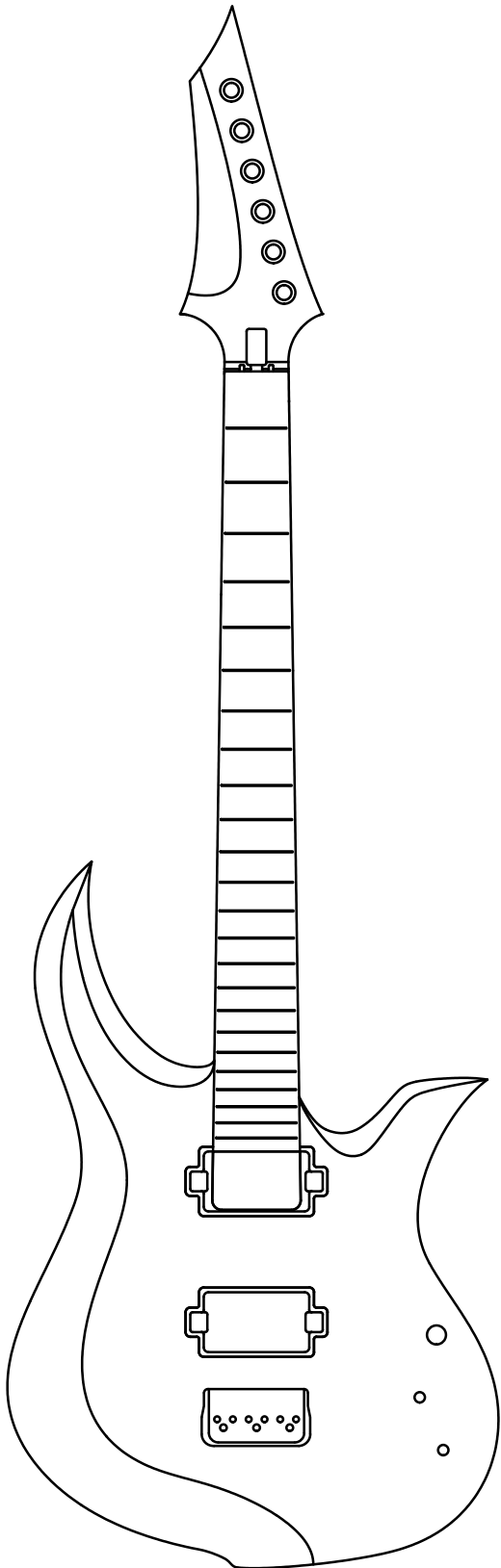
DWG NO

REV

SCALE 1:3.25

WEIGHT

SHEET 1/1



PROJECT

CONTRIVER GUITARS

TITLE

SIGNATURE 6 BARITONE

APPROVED

CHECKED

DRAWN Brett Bailey 2024-02-09

SIZE

B

CODE

DWG NO

REV

SCALE 1:3.5

WEIGHT

SHEET 1/1