

TITUS® TwistLIFT® Security Lock Opening Tool



Product Number: COT30

Design Features:

- 316L Stainless Steel Machined Socket
- Complete Welded Construction
- Powder coated Finish

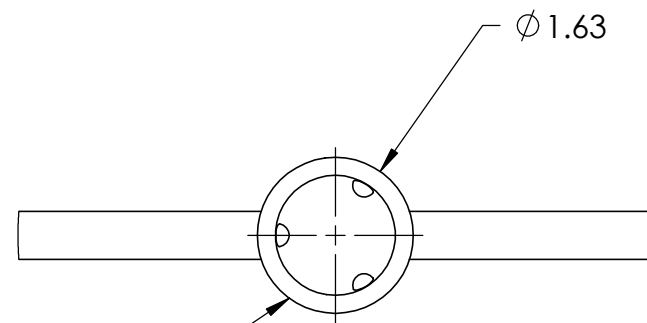
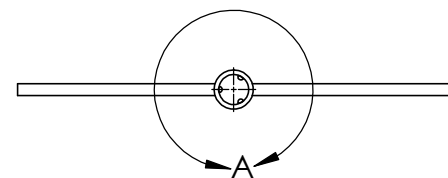
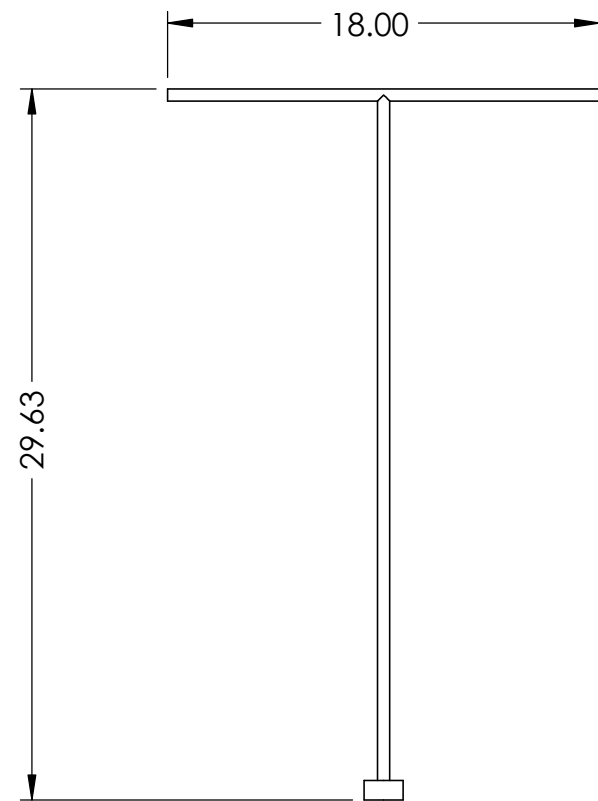
Disclaimer: Weights (4 lbs) dimensions (Inches/mm), are provided for your guidance.

We reserve the right to modify specifications without prior notice.

Confidential: This drawing is the property of TITUS® Industrial Group, Inc. And embodies confidential information, registered trademarks, trade secret information, and/or know that is the property of TITUS® Industrial Group, Inc.



All rights reserved. Do not reproduce in whole or in part without written permission.

Contact:
Office: 877-582-9899
Info@titusig.com
www.titusig.com



This Socket Fits
Titus® TwistLIFT® Security Bolt
Titus® TwistLIFT® Security Lock Handle



TOLERANCES <small>UNLESS OTHERWISE SPECIFIED, ALL DIMENSIONS ARE IN INCHES EXCEPT WHERE NOTED TOLERANCES ARE:</small> DIMENSIONS ARE IN INCHES TOLERANCES: FRACTIONAL ± 1/16" ANGULAR: MACH ± 1 BEND ± 1 ONE PLACE DECIMAL ± .10 TWO PLACE DECIMAL ± .01 THREE PLACE DECIMAL ± .005		 1450 North West Gardner Road Prineville OR 97754 (541) 389-1975	
APPROVAL: _____ DATE: _____ DESIGNER: ELC	TITLE: _____ SIZE: B DWG.: Titus® TwistLIFT® Handle SCALE: 1:8 DO NOT SCALE SHEET: 1 OF 1	APPROVED: _____ DATE: _____	REV.: _____
<small>THIRD ANGLE PROJECTION</small> 			
<small>PROPRIETARY AND CONFIDENTIAL. THIS DOCUMENT CONTAINS CONFIDENTIAL OR PROPRIETARY INFORMATION WHICH IS THE PROPERTY OF TITUS. USE OF THIS DOCUMENT IS LIMITED TO AUTHORIZED CUSTOMERS, VENDORS, OR OTHER AGENTS OF OR FABRICATION LTD. UNAUTHORIZED USE OF THIS DOCUMENT SHALL BE PROSECUTED TO THE FULLEST EXTENT OF THE LAW</small>			