

# **ELECTRIC WIRING ON ELECTRIC BC-3 & BC-5 UNITS (1300 & 2000 units)**

Wiring heat tubes:

Inside of roaster with heat tubes below drum  
(before installing drum) see pictures below:

When wiring gets old it could deteriorate and the fireproof cover could wear off causing the positive and negative wire to touch shorting roaster and even burning up relays. Also when a heat element goes bad the same results could occur. These schematic charts will help you to fix issues.

You may also need to replace the heat button on control panel Is short cause damage to electrical components.

Wiring heat tubes: (5 per roaster)

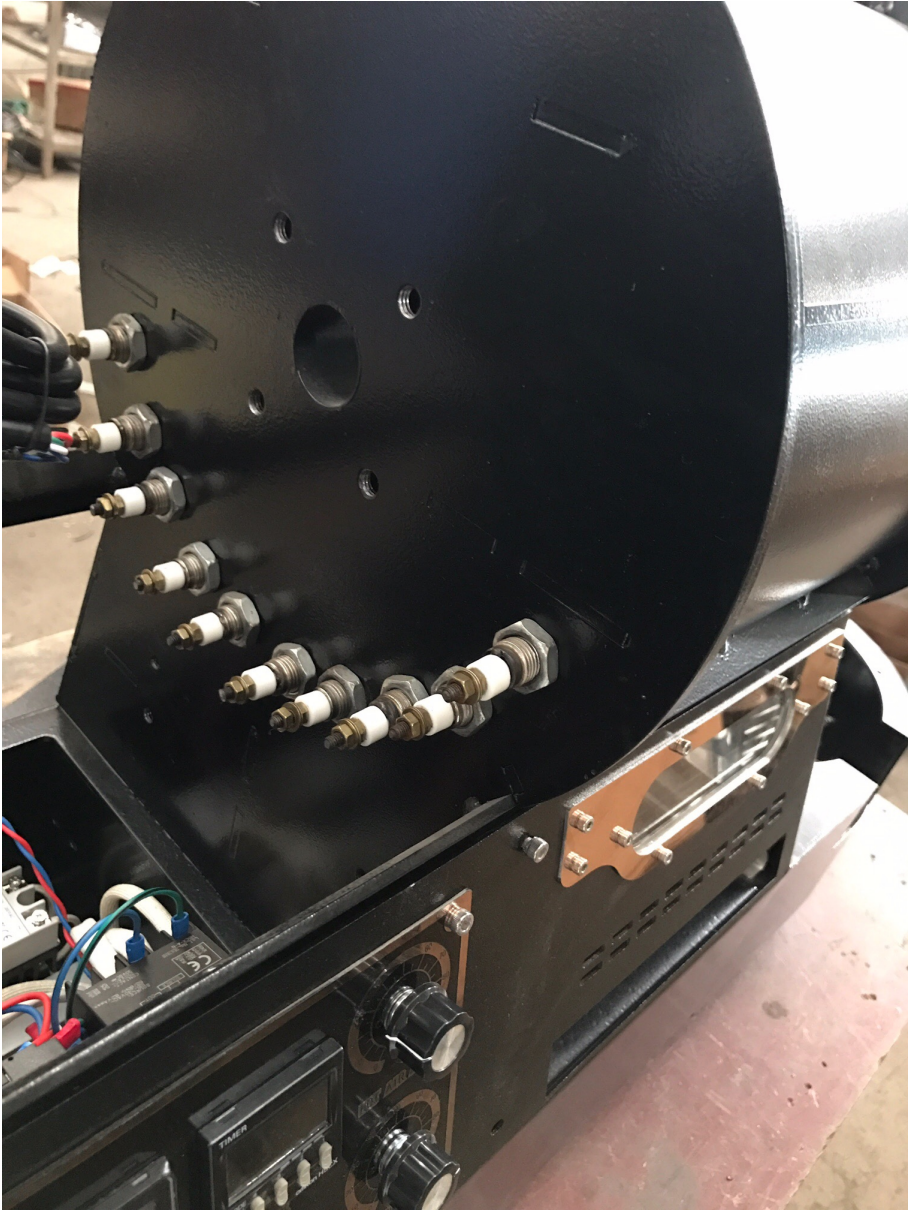
Inside of roaster with heat tubes below drum  
(before installing drum)

BC-3.5 has 5 of the 800W Type and the BC-5 has 5  
of the 1000W size:

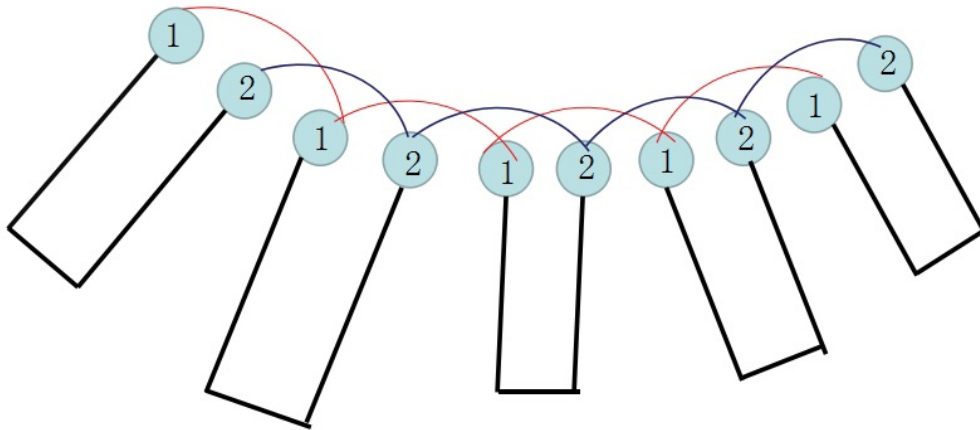
Heat tubes may need replaced every couple years  
as they burn out:



Outside terminals:

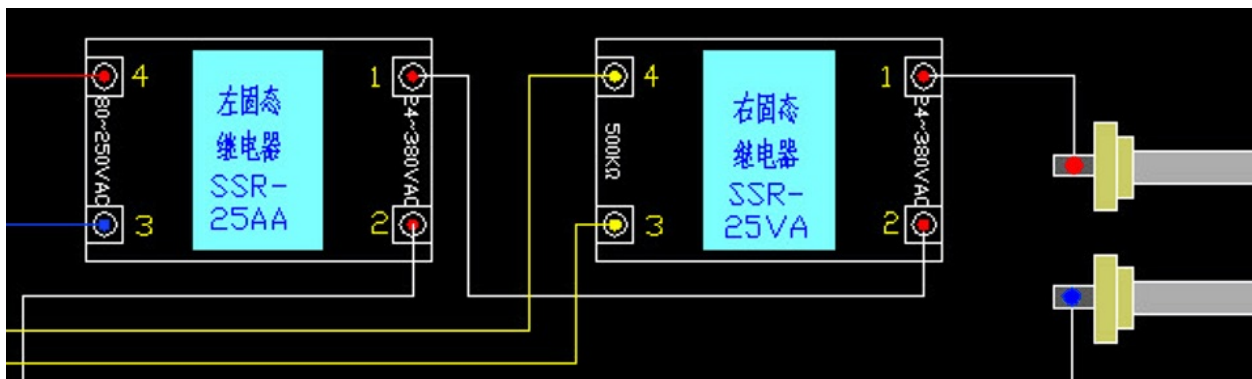


## WIRING SCHEMATICS:



Relays for the heat elements: need SSR-25AA & SSR-25VA RELAYS:

BC-3.5 & BC-5 units may use SSR40AA & SSR40VA and as high as SSR75 Relays.



EXAMPLES OF ACTUAL ELECTRONIC BOARDS SHOWING RELAYS:

# BC ELECTRIC ROASTERS-BASIC ELECTRIC INFORMATION

