

2020 BC-15 DW

BY BCROASTERS.COM

The BC-15 MD or DW comes in single or double wall models. These are great for production roasting for the wholesale or retail coffee business. It can roast from 3lb. to 15lb. per roast and up to 4-5 roasts per hour. The DW Model can roast even smaller sample batches. It will roast well over 400lb. per day. It has all the features most companies charge extra for built into the base price. The only option is if you wish to add a MAG AIRFLOW GAUGE. These models all come with the advanced and precise airflow control via the MDDS (manual damper) system & many new safety features. Solid heavy-duty stainless steel drum and built in profiling system for BT & ET. Direct-Connect chaff unit for efficiency & reduced footprint. Comes in choice of Natural or LPG (propane) gas. **Now in choice of Single or Double Wall models!**



BC-14MD	GAS TYPE
Batch Size	3-14lb.
Roasting Time	12-15 minutes
Production	56lb.hr
Heat Source	NG/LPG
Voltage	220V
Wattage	780W
Drum Motor	200W
Chaff Fan Motor	200W
Cooling Fan Motor	200w
MIXING ARM	90W
BTU	105,000
NG PRESSURE	7-14WC
LPG PRESSURE	MAX. 16-20WC
Gas Consumption	0.8kg/hr
Roaster Dim.	58x24x63"
Roaster Weight	838lb.
Package Dimensions	63x44x61 1017lb.

FEATURES

DRUM TYPE
DATA LOGGING
THERMOCOUPLES
CONTROL PANEL
WARRANTY
PARTS AVAILABLE
110V CONVERTER
TYPE
DATA LOGGING

Single or DW 5mm or Double Wall
2 OMRON CONTROLS w/BT & ET
K-TYPE for BT & ET
BT & ET VEIW ON PANEL
1 YEAR PARTS & INSTRUCTION
10 Year Parts Available Guarantee
Optional 110V Voltage Converter
3000W may be purchased.

SEE OUR NEW COLOR OPTIONS! BLACK, RED & WHITE BODIES!

BCROASTERS.COM TONOPAH, AZ info@BuckeyeCoffee.com 844.522.6333

THE BC-15 MD IS A HEAVY DUTY ROASTER BUILT WITH A CARBON STEEL BODY WITH APPROVED POWDER COAT HIGH TEMPERATURE BODY IN BLACK, RED OR WHITE. THE HOUSINGS COME IN A CHOICE OF 4 COLORS (Gold, Rose Gold, Black Titanium & Stainless) In two type finishes (MIRROR or MATTE) Also New Textured Housings (Checkered)

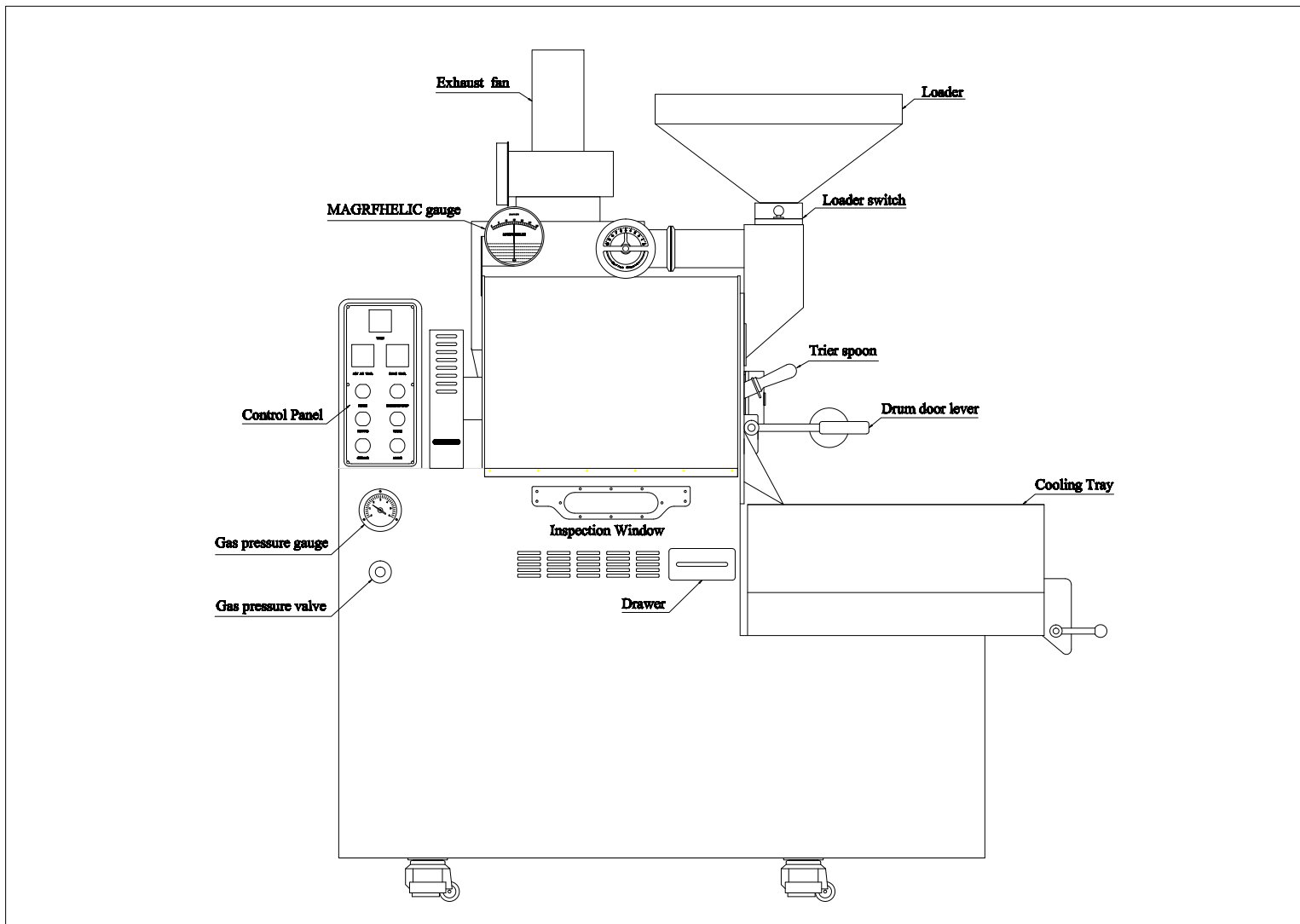
TWO EXHAUST PIPE COMES OFF THE **BC-15 AT 5"** AS SHOWN BELOW AND CAN BE EXHAUSTED SEPARATELY OUT OF BUILDING OR JOINED WITH A BLAST DAMPER OR BACKDRAFT DAMPER ABOVE CHAFF UNIT.

**MDDS SYSTEM FOR
PRECISE AIRFLOW
CONTROL**



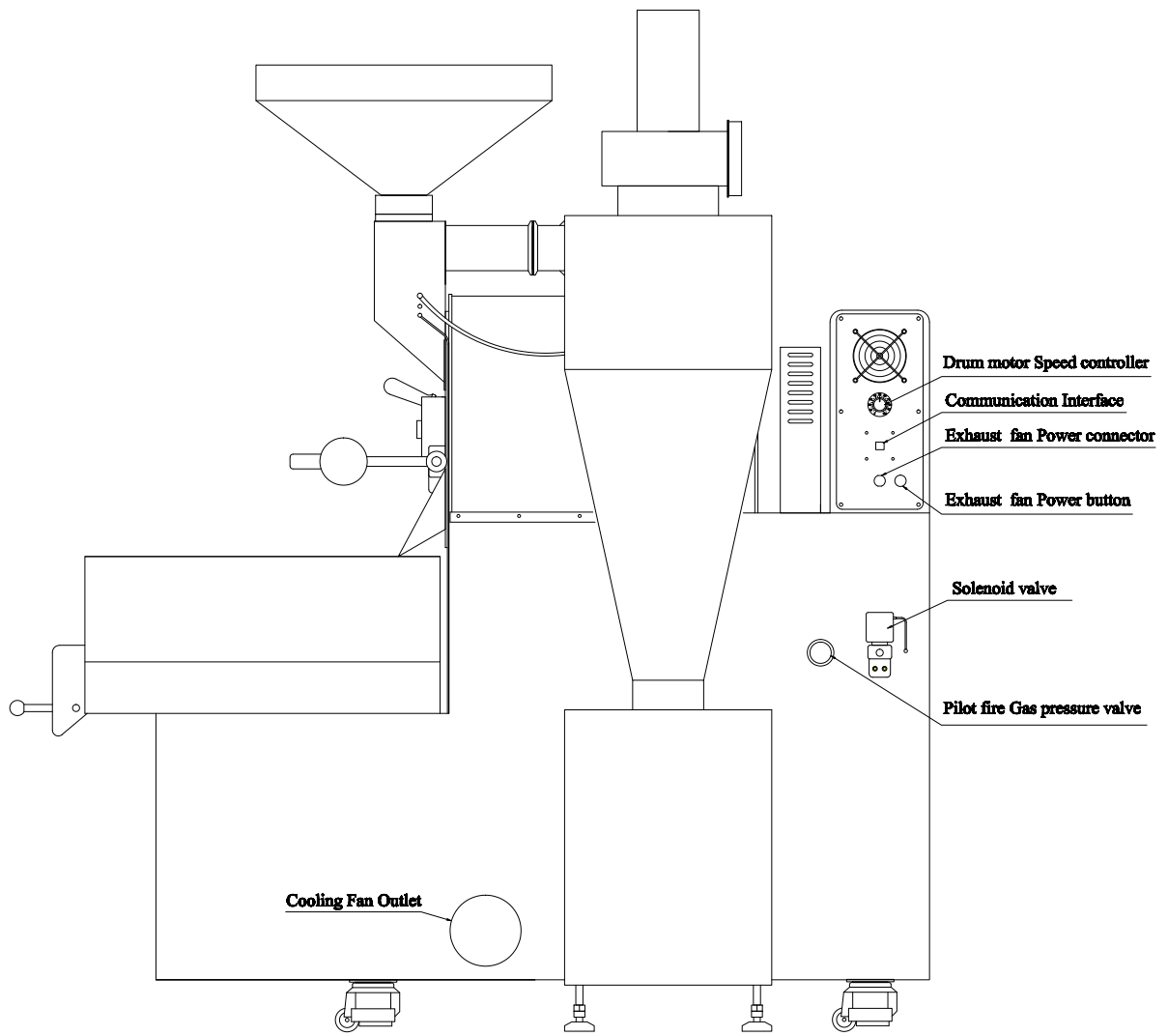
IN WHITE OR RED BODIES

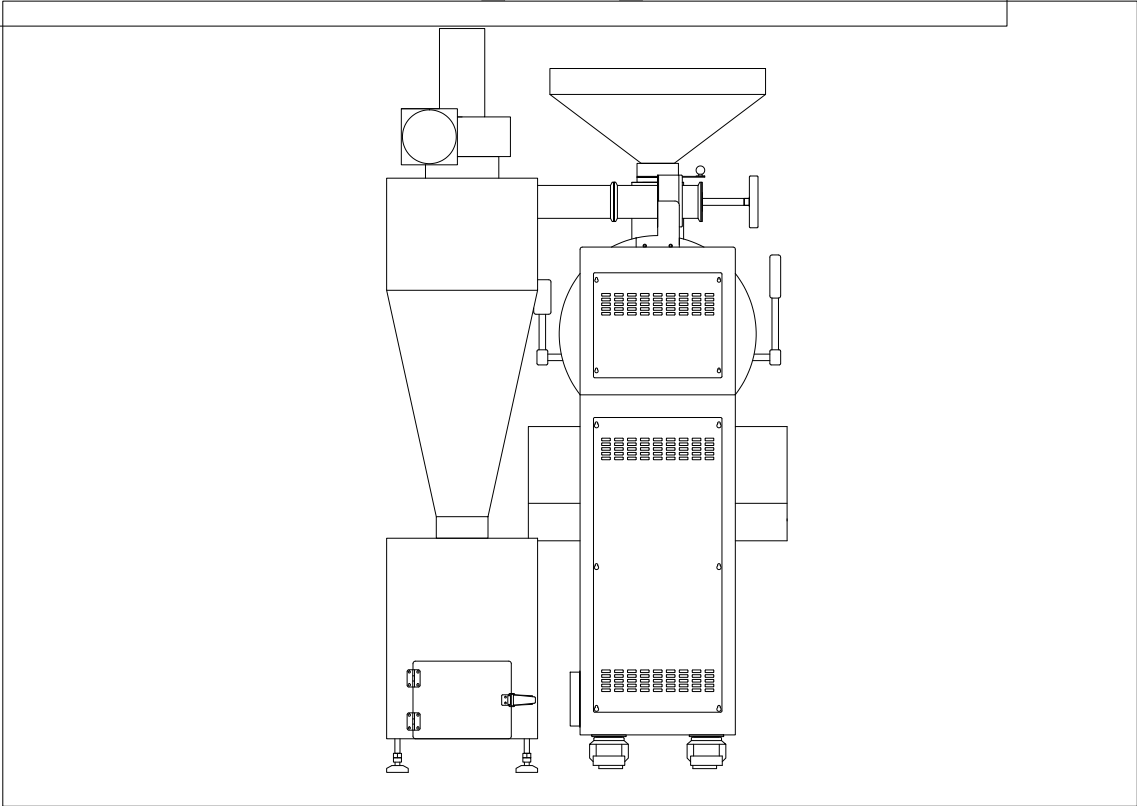
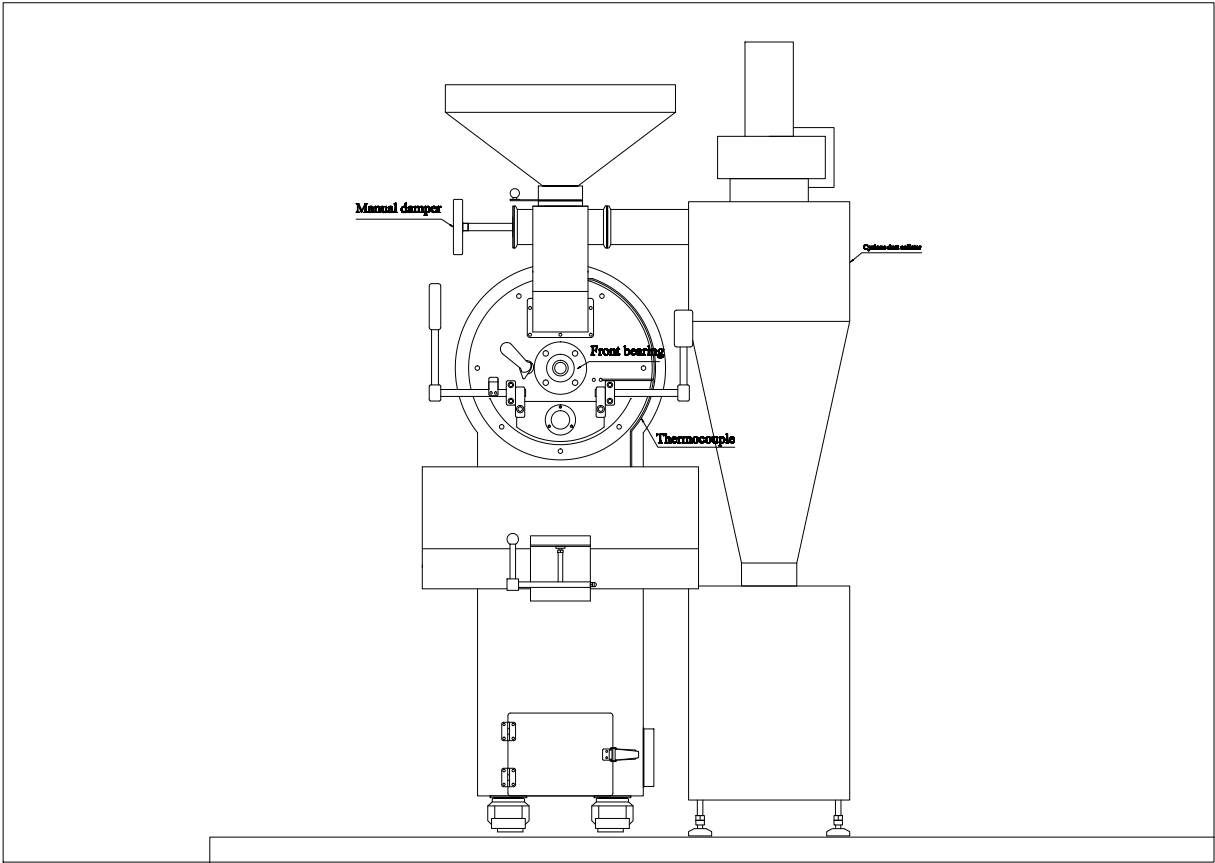




SHOWN IN DRAWING WITH MAG AIRFLOW GAUGE







BC ROASTER COLORS

**BC ROASTERS NOW COME IN 3 BODY COLORS:
BLACK, RED & WHITE**



**BLACK BODY WITH BLACK
CHECKERED HOUSING**



**RED BODY WITH GOLD
CHECKERED HOUSING**



**WHITE BODY WITH
ROSE GOLD HOUSING**

**HOUSING COLORS INCLUDE 3 SOLID COLORS:
ROSE GOLD, BLACK TITANIUM, STAINLESS
(COLORS MAY VARY FROM PICTURES SLIGHTLY)**



ROSE GOLD

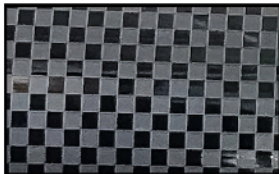


STAINLESS

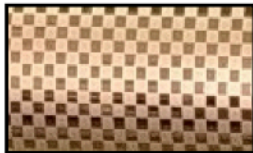


BLACK TITANIUM

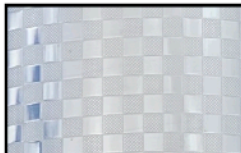
**ALSO HOUSING COLORS IN TEXTURED CHECKERED COLORS:
CHECKERED BLACK, SILVER OR GOLD:**



CHECKERED BLACK



CHECKERED GOLD



CHECKERED SILVER

**BODY COLORS:
BLACK, RED OR WHITE**

**SOLID HOUSING COLORS:
ROSE GOLD, BLACK
TITANIUM, STAINLESS**

**TEXTURE HOUSINGS:
CHECKERED GOLD,
CHECKERED BLACK OR
CHECKERED SILVER**

BC-15 COMMERCIAL COFFEE ROASTER

- *FLOOR MODEL WITH HD CASTER WHEELS
- *DIRECT CONNECT CHAFF UNIT FOR SMALLER FOOTPRINT
- *CHOICE OF ALL ELECTRIC OR GAS MODELS

**SIZE (LxWxH) WITHOUT CHAFF UNIT
SIZE SETUP W/ CHAFF UNIT ATTACHED**

58X24X63" ROASTER ALONE
58X40X63" ROASTER WITH CHAFF UNIT

WEIGHT

838LB

**MINIMUM CLEARANCE FROM COMBUSTABLE
MATERIALS**

18-24"

ROASTING CAPACITY

3-15LB SINGLE WALL
2 TO 15LB DOUBLE WALL

ROAST TIME & ROASTS PER HOUR

9-14 MINUTES (5 ROASTS PER HOUR GAS. 3.5
PER HOUR ELECTRIC)

DRUM INFORMATION

SW DRUM: 5MM SUPERIOR 304SS CONTAINS
18% CHROMIUM AND 8% NICKEL
DW DRUM: HAS TWO LAYERS: ONE OF 3MM &
ONE 2MM 304SS WITH 6MM OF AIR CUSHION. SS
WELDING (11MM TOTAL THICKNESS ON DW)

ELECTRIC STATS:

GAS MODEL: SINGLE PHASE 220V 50/60HZ
780W REQUIRES STANDARD 15A BREAKER

ELECTRICAL PLUG TYPE

GAS MODELS: 20A 250V 3 WIRE NEMA 6-20P

FUEL CHOICES ON GAS MODELS

LPG GAS STANDARD WITH MODELS. NATURAL
GAS CONVERSION KITS OFFERED FOR CUSTOMER
INSTALLATION ONLY.

BURNER INFORMATION ON GAS MODELS

SW & DW BURNERS: 21

BTU REQUIRMENTS

82,000 BTU MINIMUM REQUIRED FOR NG LINE

GAS PRESSURE

LPG: 12-16WC (3-4KPA) MARSHALL 1912/197
REGULATOR RECOMMENDED
NG: 7-14WC

EXHAUST SETUP	
EXHAUST PIPE REQUIREMENTS	POSITIVE PRESSURE EXHAUST VENTING WITH MINIMUM CLEARANCE 18-24" FROM COMBUSTABLE MATERIALS
MAXIMUM VENTING LENGTHS	20-25' FROM CHAFF UNIT. DEDUCT 3-5' FOR 45-90 DEGREE PIPE ELBOWS. IF YOU MUST VENT AT LONGER LENGTHS CONSULT A LOCAL TECHNICIAN ON USE OF POSSIBLE BOOSTER FANS
MAXIMUM EXHAUST TEMPERATURES	425-475F
CHAFF UNIT HIGH TEMP.	300-350F
COOLING TRAY HIGH TEMP.	200F
DATA LOGGING VIA ARTISAN OR CROPSTER	BUILT IN DATA LOGGER ATTACHES TO COMPUTER (PC OR MAC) VIA USB OR BLUETOOTH
K TYPE THERMOCOUPLES	BT & ET WITH TWO ADDITIONAL PREDRILLED CAPPED THREADED HOLES TO ADD OR ADJUST LOCATION OF PROBES
MANUFACTURED IN CHINA FOR BC ROASTERS	CUSTOM BUILT FOR BC SPECS IN USA AND OVER 200 LANDS

FOR MORE INFORMATION SEE:

BCROASTERS.COM

HTTP://WWW.BUCKEYECOFFEE.COM/BC-COFFEE-ROASTERS.HTML

**BC ROASTERS
 BUCKEYE, ARIZONA 85326
 TONOPAH, ARIZONA 85354

 TOLL FREE: 844.522.6333
 INFO@BUCKEYECOFFEE.COM**