



ChillBox™ 115V-Series Fluid Cooled / Heated CW-50 Series (1.5 to 3.0 Tons Capacities)



CW-50 Series Shown

ChillBox™ CW-50 Series are built with the following standard features:

- Direct Drive Blower
- 3 Speed Air-Over Motor
- Sturdy Constructed Cabinet
- Built-In Filter Rack
- Air Purge Valve
- Non-Corrosive Hardware
- 304 Stainless Steel Drain Pan with Primary and Secondary 3/4" Stainless NPT Drain Fittings
- 2 lb. Thermal Acoustic, Anti-Microbial Duct Insulation

Warranty: 1 Year Parts / 2 Year Coils
(When Registered)



Listing # E114799
Complies With UL 1995
Fifth Edition Heating &
Cooling Equipment

EXACT FOOTPRINT REPLACEMENT FOR THE FOLLOWING MANUFACTURER'S EQUIPMENT / First Co. 6/8/10/12 CW-Series

In Keeping With Its Policy Of Continuous Progress And Improvements, JRJ Manufacturing Reserves The Right To Make Changes Without Notice And Incurring Obligation. The customer is responsible for confirming which fan coil models are compatible with select out-door unit(s) and which expansion valves (if any) are required.

JRJ Manufacturing, LLC

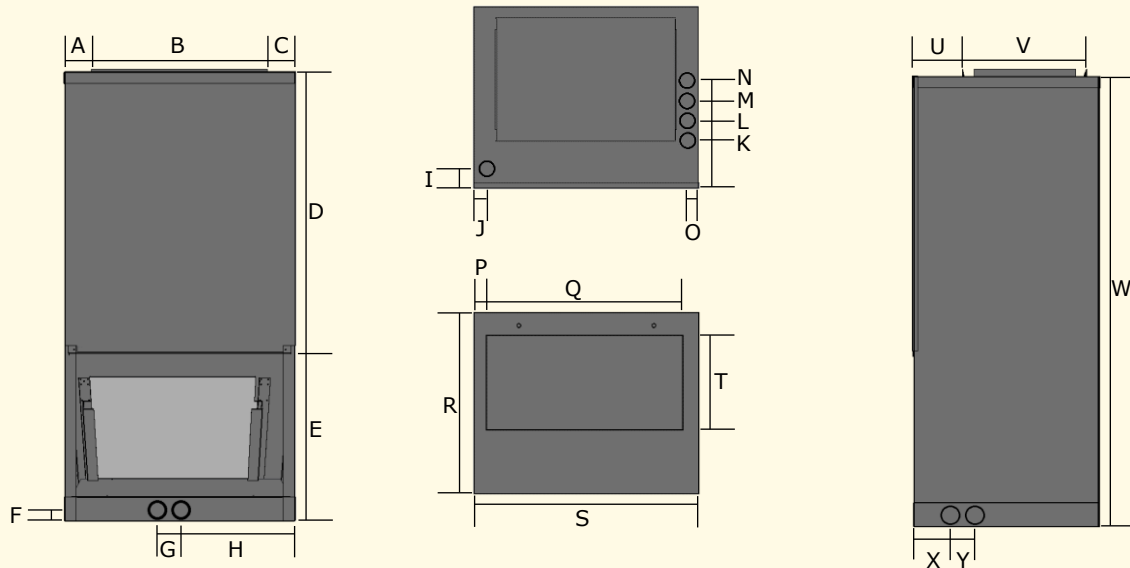
CW-50-R221010

24910 Reservoir Road, Cascade, MD 21719 / Phone: 717-941-1180 / Fax: 717-941-1181

ChillBox™ CW-50 Series Dimensional Data



In Keeping With Its Policy Of Continuous Progress And Improvements, JRJ Manufacturing Reserves The Right To Make Changes Without Notice And Incurring Obligation.



Representative Drawing Only. Some Models May Vary In Appearance.

Model	Weight	Filter Size
CW-1815-50	95 lbs	16" x 16" x 1"
CW-2415-50	95 lbs	16" x 16" x 1"
CW-3015-50	105 lbs	18" x 20" x 1"
CW-3615-50	115 lbs	18" x 20" x 1"



Listing # E114799
Complies With UL 1995
Fifth Edition Heating &
Cooling Equipment

CW-18/24/30/36 50 SERIES					
A	5"	J	1"	S	22"
B	14"	K	2-1/2"	T	7-3/8"
C	3"	L	4-1/2"	U	2-1/4"
D	18-1/2"	M	6-1/2"	V	10-1/2"
E	21-1/2"	N	8-1/2"	W	40"
F	1"	O	1"	X	3"
G	2"	P	1"	Y	1-3/4"
H	10"	Q	20"	Z	--
I	2-1/2"	R	15"		

1.5 Ton Capacity

		Speed			Low	Med	High		
COOLING	CW-1815-50	Standard Pump @ 3.5 GPM With Nominal Airflow							
		80° F D.B. / 67° FW.B.							
	CFM	42°F Entering Water Temperature	45°F Entering Water Temperature	48°F Entering Water Temperature	Airflow	External Static Pressure 0.1	584	725	855
		Total / Sensible	Total / Sensible	Total / Sensible		External Static Pressure 0.2	565	695	810
		600	19,350 / 15,470	17,455 / 14,625		15,716 / 13,926	External Static Pressure 0.3	540	660
				External Static Pressure 0.4		525	620	725	
				External Static Pressure 0.5		505	575	675	
HEATING		Standard Pump @ 3.5 GPM With Nominal Airflow (Air Temperature Leaving The Unit Must Not Exceed 140 °F)							
	CFM	140°F Entering Water Temperature	160°F Entering Water Temperature	180°F Entering Water Temperature	Motor	Amps At 110-115/1/60			
		600	30,700	39,400		48,400	HP		
						Pipe	Coil Connection		
						5/8" ODS			
				Filter	Condensate Drain				
					3/4" SS - NPT Thread				
				Weight	1" Thick (Nominal)				
					16" X 16" X 1"				
					(Unit Only)				
					95 lbs				

Equal To First Co. 6CW

JRJ Manufacturing, LLC

24910 Reservoir Road, Cascade, MD 21719 / Phone: 717-941-1180 / Fax: 717-941-1181

ChillBox™ CW-50 Series Capacity Data



In Keeping With Its Policy Of Continuous Progress And Improvements, JRJ Manufacturing Reserves The Right To Make Changes Without Notice And Incurring Obligation.

2.0 Ton Capacity

COOLING		CW-2415-50 Standard Pump @ 3.5 GPM With Nominal Airflow			Speed		Low	Med	High	
CFM	80° F D.B. / 67° FW.B			Airflow	External Static Pressure	0.1	640	885	1,030	
	42°F Entering Water Temperature	45°F Entering Water Temperature	48°F Entering Water Temperature		External Static Pressure	0.2	635	850	975	
	Total / Sensible				External Static Pressure	0.3	630	815	925	
	Total / Sensible				External Static Pressure	0.4	615	775	870	
800	23,950 / 17,770	21,555 / 16,825	19,216 / 15,927	External Static Pressure	0.5	580	735	815		
HEATING		Standard Pump @ 3.5 GPM With Nominal Airflow (Air Temperature Leaving The Unit Must Not Exceed 140 °F)			Motor		Amps At 110-115/1/60	5.9	4.6	2
CFM	140°F Entering Water Temperature	160°F Entering Water Temperature	180°F Entering Water Temperature	Pipe	HP		1/3	1/3	1/3	
	Total / Sensible				Coil Connection	5/8" ODS				
800	36,100	46,400	56,700	Condensate Drain	3/4" SS - NPT Thread					
				Filter	1" Thick (Nominal)		16" X 16" X 1"			
				Weight	(Unit Only)		95 lbs			

Equal To First Co. 8CW

2.5 Ton Capacity

COOLING		CW-3015-50 Standard Pump @ 3.5 GPM With Nominal Airflow			Speed		Low	Med	High	
CFM	80° F D.B. / 67° FW.B			Airflow	External Static Pressure	0.1	810	1,105	1,290	
	42°F Entering Water Temperature	45°F Entering Water Temperature	48°F Entering Water Temperature		External Static Pressure	0.2	805	1,060	1,220	
	Total / Sensible				External Static Pressure	0.3	800	1,020	1,155	
	Total / Sensible				External Static Pressure	0.4	770	970	1,085	
1,000	29,150 / 21,990	26,285 / 20,775	23,572 / 19,672	External Static Pressure	0.5	730	920	1,015		
HEATING		Standard Pump @ 3.5 GPM With Nominal Airflow (Air Temperature Leaving The Unit Must Not Exceed 140 °F)			Motor		Amps At 110-115/1/60	5.9	4.6	3
CFM	140°F Entering Water Temperature	160°F Entering Water Temperature	180°F Entering Water Temperature	Pipe	HP		1/3	1/3	1/3	
	Total / Sensible				Coil Connection	3/4" ODS				
1,000	46,400	59,600	72,900	Condensate Drain	3/4" SS - NPT Thread					
				Filter	1" Thick (Nominal)		18" X 20" X 1"			
				Weight	(Unit Only)		105 lbs			

Equal To First Co. 10CW

3.0 Ton Capacity

COOLING		CW-3615-50 Standard Pump @ 3.5 GPM With Nominal Airflow			Speed		Low	Med	High	
CFM	80° F D.B. / 67° FW.B			Airflow	External Static Pressure	0.1	810	1,105	1,290	
	42°F Entering Water Temperature	45°F Entering Water Temperature	48°F Entering Water Temperature		External Static Pressure	0.2	805	1,060	1,220	
	Total / Sensible				External Static Pressure	0.3	800	1,020	1,155	
	Total / Sensible				External Static Pressure	0.4	770	970	1,085	
1,200	34,650 / 26,480	33,990 / 26,175	30,387 / 23,452	External Static Pressure	0.5	730	920	1,015		
HEATING		Standard Pump @ 3.5 GPM With Nominal Airflow (Air Temperature Leaving The Unit Must Not Exceed 140 °F)			Motor		Amps At 110-115/1/60	5.9	4.6	3
CFM	140°F Entering Water Temperature	160°F Entering Water Temperature	180°F Entering Water Temperature	Pipe	HP		1/3	1/3	1/3	
	Total / Sensible				Coil Connection	3/4" ODS				
1,200	54,400	66,600	81,400	Condensate Drain	3/4" SS - NPT Thread					
				Filter	1" Thick (Nominal)		18" X 20" X 1"			
				Weight	(Unit Only)		115 lbs			

Equal To First Co. 12CW

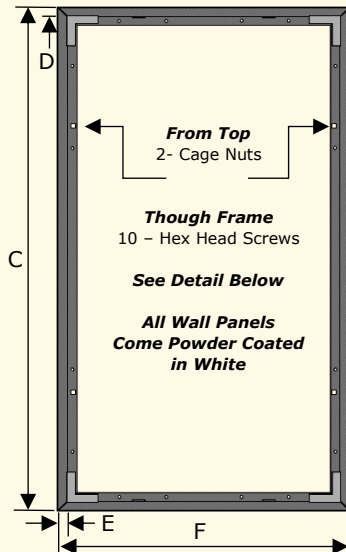
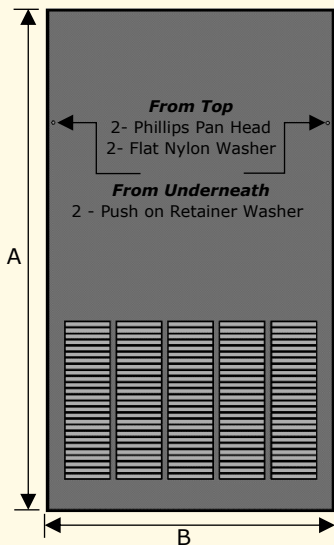
JRJ Manufacturing, LLC

24910 Reservoir Road, Cascade, MD 21719 / Phone: 717-941-1180 / Fax: 717-941-1181

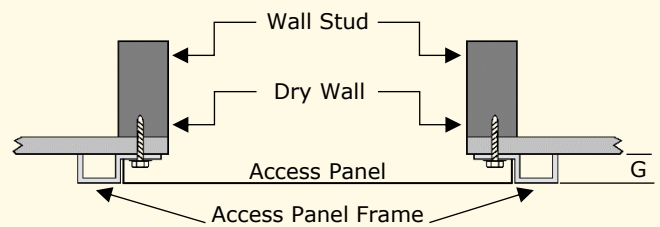


ChillBox™ CW-50 Series Options / Accessories

In Keeping With Its Policy Of Continuous Progress And Improvements, JRJ Manufacturing Reserves The Right To Make Changes Without Notice And Incurring Obligation.



Warranty
1 Year Parts
2 Year Coils
(When Registered)



Replaces Models
First Co. 9PWUC01 & 9PWUC02
Goodman WAD-1 & WAD-2

Representative Drawing Only. Some Models May Vary In Appearance.



WMP-91(L/S)-00					
A	40-3/8"	J	--	S	--
B	22-5/8"	K	--	T	--
C	43-3/8"	L	--	U	--
D	13/16"	M	--	V	--
E	13/16"	N	--	W	--
F	25-5/8"	O	--	X	--
G	11/16"	P	--	Y	--
H	--	Q	--	Z	--
I	--	R	--		

Recommended Wall Panel
CW-1815-50 = WMP-91*-00
CW-2415-50 = WMP-91*-00
CW-3015-50 = WMP-91*-00
CW-3615-50 = WMP-92*-00

*Available In: L = Louvered Wall Panel / S = Solid Wall Panel

WMP-92(L/S)-00					
A	43-3/8"	J	--	S	--
B	22-5/8"	K	--	T	--
C	46-3/8"	L	--	U	--
D	13/16"	M	--	V	--
E	13/16"	N	--	W	--
F	25-5/8"	O	--	X	--
G	11/16"	P	--	Y	--
H	--	Q	--	Z	--
I	--	R	--		

JRJ Manufacturing, LLC

24910 Reservoir Road, Cascade, MD 21719 / Phone: 717-941-1180 / Fax: 717-941-1181