



ChillBox™ 115V-Series DX Cooling / Hot Water Heating WMF-00 Series (1.5 to 3.0 Tons Capacities)

For Replacement only – Not For New Construction



WMF-00 Series Shown With Panels Removed

ChillBox™ WMF-00 Series are built with the following standard features:

- Direct Drive Blower
- 3 Speed Air-Over Motor
- Sturdy Constructed Cabinet
- Built-In Filter Rack
- Door Safety Switch
- Air Purge Valve
- Non-Corrosive Hardware
- Standard Bolt on Piston Design (Field Option TXV)
- 304 Stainless Steel Drain Pan with Primary and Secondary 3/4" Stainless NPT Drain Fittings
- 2 lb. Thermal Acoustic, Anti-Microbial Duct Insulation
- Multi-Function Micro-Processor Circuit Board
- Circulating Water Pump with Check Valve

Warranty: 1 Year Parts / 2 Year Coils (When Registered)

EXACT FOOTPRINT REPLACEMENT FOR THE FOLLOWING MANUFACTURER'S EQUIPMENT / First Co. RAQ-Series Units

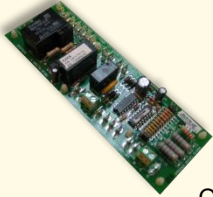
In Keeping With Its Policy Of Continuous Progress And Improvements, JRJ Manufacturing Reserves The Right To Make Changes Without Notice And Incurring Obligation. The customer is responsible for confirming which fan coil models are compatible with select out-door unit(s) and which expansion valves (if any) are required.



ChillBox™ WMF-00 Series Features / Options / Accessories

In Keeping With Its Policy Of Continuous Progress And Improvements, JRJ Manufacturing Reserves The Right To Make Changes Without Notice And Incurring Obligation.

Multi-Function Micro-Processor Circuit Board



- **Automatic Pump Timer:** The circulation pump automatically energizes for 60 seconds every 6 hours (4 times daily) to purge the water from the hot water coil and piping (The pump cycle is skipped when the compressor is operating).
- **Blower-On:** (Heating Mode) Pre-Heats the hot water coil for 45 seconds.
- **Blower-Off:** (Heating & Cooling Mode) Blower continues to operate for 45 seconds after the thermostat is satisfied for increased efficiency.
- 120 Volt / 24 Volt Controls

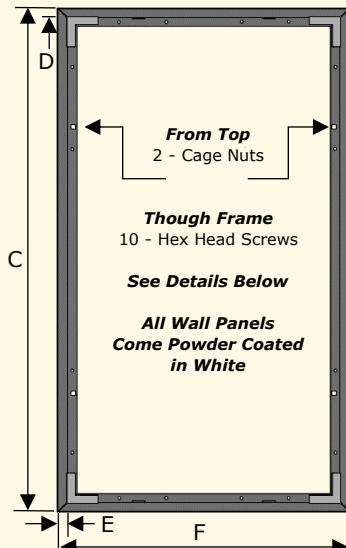
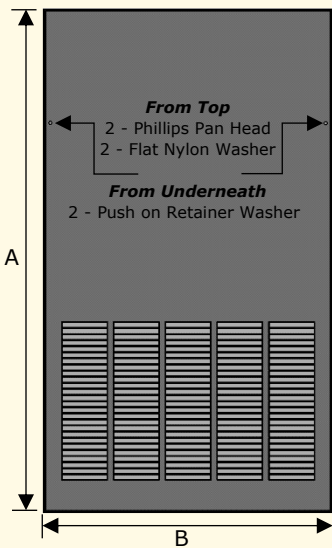
Optional Features:

- (Field Installed) Freeze Protection (Energizes the circulation pump if temperature falls below 40°F)
- (Field Installed) Condensate Overflow Switch

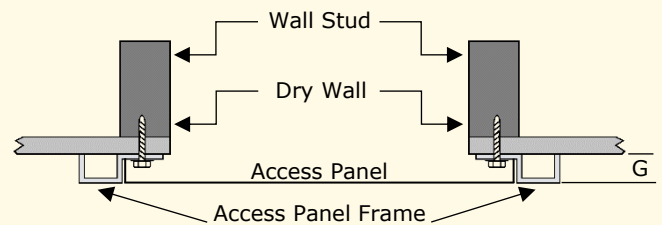
Bolt On Thermal Expansion Valve (Optional / Field Installed)



- Field Installable, Available for 1.5 to 3 Ton (JRJ Part #VL001X-SP).
- Approved for both cooling only (non-heat pump) or heat pump applications.
- Non-Bleed Type (Hard Start Kit May Be Needed)
- Mounts Inside The Cabinet.



Warranty
1 Year Parts
2 Year Coils
(When Registered)



Replaces Models:
First Co. 961 & 962
Goodman WAD-1 & WAD-2

Representative Drawing Only. Some Models May Vary In Appearance.



WMP-61(L/S)-00					
A	41"	J	--	S	--
B	22"	K	--	T	--
C	42-7/8"	L	--	U	--
D	13/16"	M	--	V	--
E	13/16"	N	--	W	--
F	24"	O	--	X	--
G	11/16"	P	--	Y	--
H	--	Q	--	Z	--
I	--	R	--	--	--

Recommended Wall Panel
WMF-2415-00 = WMP-61*-00
WMF-3615-00 = WMP-62*-00
*Available In: L = Louvered Wall Panel / S = Solid Wall Panel

WMP-62(L/S)-00					
A	46"	J	--	S	--
B	26"	K	--	T	--
C	47-15/16"	L	--	U	--
D	13/16"	M	--	V	--
E	13/16"	N	--	W	--
F	28"	O	--	X	--
G	11/16"	P	--	Y	--
H	--	Q	--	Z	--
I	--	R	--	--	--

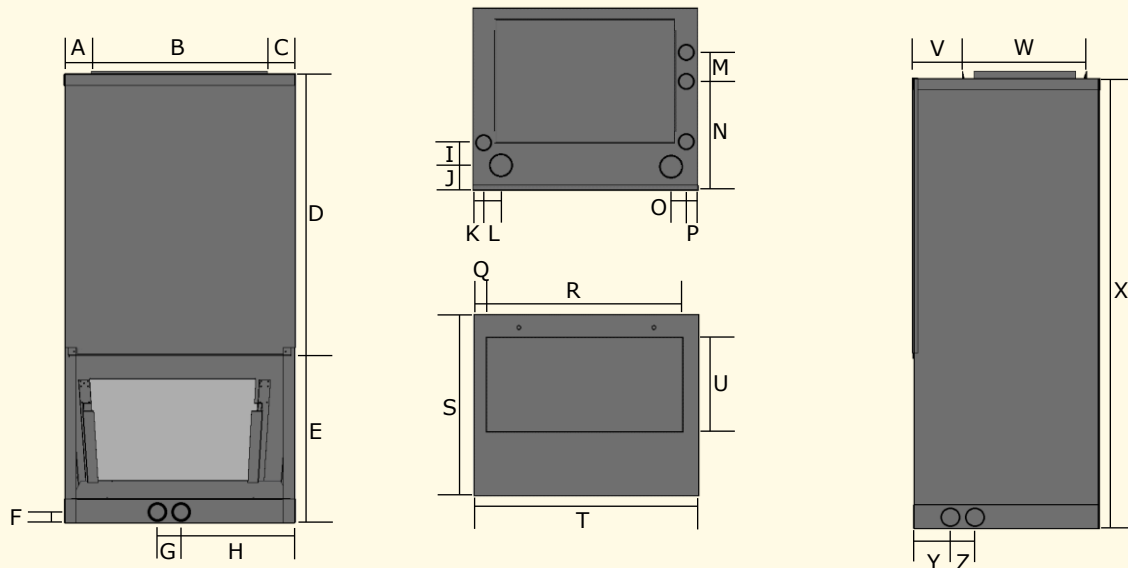
JRJ Manufacturing, LLC

24910 Reservoir Road, Cascade, MD 21719 / Phone: 717-941-1180 / Fax: 717-941-1181

ChillBox™ WMF- 00 Series Dimensional Data



In Keeping With Its Policy Of Continuous Progress And Improvements, JRJ Manufacturing Reserves The Right To Make Changes Without Notice And Incurring Obligation.



Representative Drawing Only. Some Models May Vary In Appearance.

WMF-2415-00					
A	2"	J	2-1/2"	S	16"
B	16"	K	1"	T	20"
C	2"	L	2"	U	--
D	24-1/4"	M	12-1/2"	V	--
E	14-3/4"	N	9"	W	15-1/4"
F	7/8"	O	2-3/8"	X	39"
G	2"	P	1-1/8"	Y	3"
H	10"	Q	1"	Z	4-3/4"
I	5-1/8"	R	18"		

Model	Weight	Filter Size
WMF-2415-00	95 lbs	16" x 16" x 1"
WMF-3615-00	105 lbs	18" x 20" x 1"



Listing # E114799
Complies With UL 1995
Fifth Edition Heating &
Cooling Equipment

WMF-3615-00					
A	1-3/4"	J	2-1/4"	S	21"
B	20"	K	7/8"	T	24"
C	2-1/2"	L	1-3/4"	U	--
D	27-1/2"	M	14-7/8"	V	4-1/4"
E	16-1/2"	N	11-3/8"	W	20-1/4"
F	7/8"	O	2-5/8"	X	44"
G	--	P	1-1/4"	Y	3"
H	--	Q	1"	Z	4-3/4"
I	5"	R	22"		

Electrical Data						
Model	Motor HP (120V)	Speed	AMPS Motor Pump		Min. Circuit Ampacity	Max. Breaker / Fuse Size
WMF-2415-00	1/3	Medium	6.5	0.57	9	15
WMF-3615-00	1/3	High	6.5	0.57	9	15

Model	Pipe Size		All WMF-50 Series Units
	Liquid Line	Suction Line	
WMF-2415-00	3/8" OD	5/8" OD	Heating output will not exceed output of water heater.
WMF-3615-00	3/8" OD	7/8" OD	Heat BTUH is calculated at 70°F entering air temperature.
			180°F data is supplied for boiler applications.
			Approved for installation with 0" clearance to combustible materials.
			All water connection are 7/8" OD

JRJ Manufacturing, LLC

24910 Reservoir Road, Cascade, MD 21719 / Phone: 717-941-1180 / Fax: 717-941-1181

ChillBox™ WMF-00 Series Capacity Data



In Keeping With Its Policy Of Continuous Progress And Improvements, JRJ Manufacturing Reserves The Right To Make Changes Without Notice And Incurring Obligation.

1.5 Ton Capacity

DX Coil Is Compatible with Most Major Brands of Split Condensing Units.

Model Number	Heating and Cooling Performance					Blower Data					
	Nominal Cooling (BTUH)	Ft. Water (Coil Only)	Heating Capacity @ 3.5 GPM Entering Water Temperature			CFM vs. External Static Pressure					
WMF-2415-00 With TXV (Field Installed)			18,000	1.8	120°F	140°F	180°F	0.05	0.1	0.15	0.2
	24,600	35,000			54,800	890	860	840	820	790	760

Exact Footprint Replacement for the First Co. 18RAQ

2.0 Ton Capacity

DX Coil Is Compatible with Most Major Brands of Split Condensing Units.

Model Number	Heating and Cooling Performance					Blower Data					
	Nominal Cooling (BTUH)	Ft. Water (Coil Only)	Heating Capacity @ 3.5 GPM Entering Water Temperature			CFM vs. External Static Pressure					
WMF-2415-00			24,000	1.8	120°F	140°F	180°F	0.05	0.1	0.15	0.2
	24,600	35,000			54,800	890	860	840	820	790	760

Exact Footprint Replacement for the First Co. 24RAQ

2.5 Ton Capacity

DX Coil Is Compatible with Most Major Brands of Split Condensing Units.

Model Number	Heating and Cooling Performance					Blower Data					
	Nominal Cooling (BTUH)	Ft. Water (Coil Only)	Heating Capacity @ 3.5 GPM Entering Water Temperature			CFM vs. External Static Pressure					
WMF-3615-00 With TXV (Field Installed)			30,000	1.8	120°F	140°F	180°F	0.05	0.1	0.15	0.2
	29,700	41,200			65,400	1400	1370	1330	1300	1270	1230

Exact Footprint Replacement for the First Co. 30RAQ

3.0 Ton Capacity

DX Coil Is Compatible with Most Major Brands of Split Condensing Units.

Model Number	Heating and Cooling Performance					Blower Data					
	Nominal Cooling (BTUH)	Ft. Water (Coil Only)	Heating Capacity @ 3.5 GPM Entering Water Temperature			CFM vs. External Static Pressure					
WMF-3615-00			36,000	1.8	120°F	140°F	180°F	0.05	0.1	0.15	0.2
	29,700	41,200			65,400	1400	1370	1330	1300	1270	1230

Exact Footprint Replacement for the First Co. 36RAQ

JRJ Manufacturing, LLC

24910 Reservoir Road, Cascade, MD 21719 / Phone: 717-941-1180 / Fax: 717-941-1181