



## Vehicle History Report™

### 2022 MINI CONVERTIBLE COOPER

VIN: WMW23DL06N3N65035  
CONVERTIBLE  
1.5L I3  
GASOLINE  
FRONT WHEEL DRIVE



Branded Title: Salvage



CARFAX 1-Owner vehicle



Personal vehicle



Last owned in South Carolina



10 Detailed records available



5,730 Last reported odometer reading

This CARFAX Vehicle History Report is based only on information supplied to CARFAX and available as of 6/22/23 at 3:08:54 PM (CDT). Other information about this vehicle, including problems, may not have been reported to CARFAX. Use this report as one important tool, along with a vehicle inspection and test drive, to make a better decision about your next used car.



### Ownership History

The number of owners is estimated

**Owner 1**

Year purchased	2021
Type of owner	Personal
Estimated length of ownership	1 yr. 5 mo.
Owned in the following states/provinces	South Carolina
Estimated miles driven per year	4,517/yr
Last reported odometer reading	5,730



### Title History

CARFAX guarantees the information in this section

**Owner 1**

<b>Damage Brands</b> Salvage   Junk   Rebuilt   Fire   Flood   Hail   Lemon	<b>Alert!</b> Problem Found
<b>Odometer Brands</b> Not Actual Mileage   Exceeds Mechanical Limits	No Problem



**ALERT!** - Severe problems were reported by a state Department of Motor Vehicles (DMV). This vehicle does not qualify for the CARFAX Buyback Guarantee.

<b>CARFAX</b>	<b>Additional History</b>	<b>Owner 1</b>
Not all accidents / issues are reported to CARFAX		
<b>Total Loss</b> Total Loss Reported: 02/05/2023.		<b>Total Loss Reported</b>
<b>Structural Damage</b> CARFAX recommends that you have this vehicle inspected by a collision repair specialist.		<input checked="" type="checkbox"/> <b>No Issues Reported</b>
<b>Airbag Deployment</b> No airbag deployment reported to CARFAX.		<input checked="" type="checkbox"/> <b>No Issues Reported</b>
<b>Odometer Check</b> No indication of an odometer rollback.		<input checked="" type="checkbox"/> <b>No Issues Indicated</b>
<b>Accident / Damage</b> DMV title problems reported. Accident reported: 11/25/2022. Vehicle sold at a salvage auction: 11/25/2022.		<b>Severe Damage</b>
<b>Manufacturer Recall</b> No open recalls reported to CARFAX. Check with an authorized Mini dealer for any open recalls.		<input checked="" type="checkbox"/> <b>No Recalls Reported</b>
<b>Basic Warranty</b> Original manufacturer warranty likely voided by manufacturer.		<b>Warranty Voided</b>



**Detailed History**

<b>Owner 1</b> Purchased: 2021		Personal Vehicle 4,517 mi/yr	
Date	Mileage	Source	Comments
08/19/2021		South Carolina Motor Vehicle Dept.	<b>Vehicle purchase reported</b>
09/22/2021	10	South Carolina Motor Vehicle Dept. Charleston, SC Title #772010410608118	<b>Title issued or updated</b> - Registration issued or renewed - First owner reported - Titled or registered as personal vehicle - Loan or lien reported
10/17/2022		South Carolina Motor Vehicle Dept. Charleston, SC Title #772010410608118	<b>Registration issued or renewed</b>

11/25/2022

Damage Report

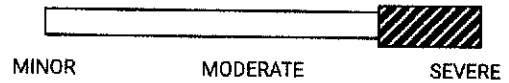


**Accident reported: severe damage with another motor vehicle**

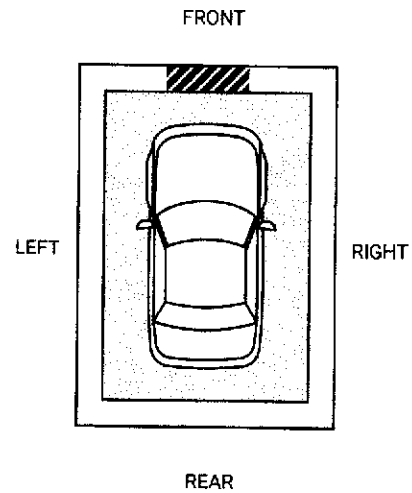
- Damage to front
- Vehicle towed
- Airbags did not deploy



**Damage Severity Scale**



**Damage Location**



11/25/2022 5,730

Damage Report



**Collision damage reported**  
- Sold at salvage auction

12/29/2022

South Carolina  
Motor Vehicle Dept.  
Charleston, SC  
Title #772010410608118

**Title issued or updated**  
- Loan or lien released

01/19/2023

South Carolina  
Motor Vehicle Dept.

**Vehicle purchase reported**

02/05/2023

Damage Report



**TOTAL LOSS VEHICLE**



There are many reasons an insurance company will declare a vehicle a total loss. Have this vehicle inspected by a qualified technician before you buy. [Learn More](#)

02/05/2023

South Carolina  
Motor Vehicle Dept.

**Title or registration issued to insurance company**

02/05/2023

South Carolina  
Motor Vehicle Dept.  
Harleyville, SC  
Title #770760437901290

**SALVAGE TITLE/CERTIFICATE ISSUED**

Have Questions? Please visit our Help Center at [www.carfax.com](http://www.carfax.com).



## Glossary

### Accident Indicator

CARFAX receives information about accidents in all 50 states, the District of Columbia and Canada.

Not every accident is reported to CARFAX. As details about the accident become available, those additional details are added to the CARFAX Vehicle History Report. CARFAX recommends that you have this vehicle inspected by a qualified mechanic.

- According to the National Safety Council, Injury Facts, 2021 edition, 5% of the 276 million registered vehicles in the U.S. were involved in an accident in 2019. Over 77% of these were considered minor or moderate.
- This CARFAX Vehicle History Report is based only on information supplied to CARFAX and available as of 6/22/23 at 3:08:54 PM (CDT). Other information about this vehicle, including problems, may not have been reported to CARFAX. Use this report as one important tool, along with a vehicle inspection and test drive, to make a better decision about your next used car.

### Damage Indicator

Damage can be a result of many different types of events. Examples include contact with objects (other cars, trees, traffic signs, road debris, etc), vandalism, or weather-related events. Not every damage event is reported to CARFAX. As details about the damage event become available, those additional details are added to the CARFAX Vehicle History Report. CARFAX recommends that you have this vehicle inspected by a qualified mechanic.

- This CARFAX Vehicle History Report is based only on information supplied to CARFAX and available as of 6/22/23 at 3:08:54 PM (CDT). Other information about this vehicle, including problems, may not have been reported to CARFAX. Use this report as one important tool, along with a vehicle inspection and test drive, to make a better decision about your next used car.

### Damage Severity

Damage events result in one of the following severity levels:

- **Minor:** Generally, minor damage is cosmetic (including dents or scratches), may only require reconditioning, and typically does not compromise a vehicle's operation and/or safety.
- **Moderate:** Moderate damage may affect multiple components of the vehicle and may impair the vehicle's operation and/or safety.
- **Severe:** Severe damage usually affects multiple components of the vehicle and is likely to compromise the vehicle's operation and/or safety.

CARFAX recommends getting a pre-purchase inspection at a certified collision repair facility.

### First Owner

When the first owner(s) obtains a title from a Department of Motor Vehicles as proof of ownership.

### Ownership History

CARFAX defines an owner as an individual or business that possesses and uses a vehicle. Not all title transactions represent changes in ownership. To provide estimated number of owners, CARFAX proprietary technology analyzes all the events in a vehicle history. Estimated ownership is available for vehicles manufactured after 1991 and titled solely in the US including Puerto Rico. Dealers sometimes opt to take ownership of a vehicle and are required to in the following states: Maine, Massachusetts, New Jersey, Ohio, Oklahoma, Pennsylvania and South Dakota. Please consider this as you review a vehicle's estimated ownership history.

### Salvage Auction Record

Most vehicles sold at Salvage auctions were declared totaled by insurance companies. Most of these vehicles have sustained significant damage but there are some exceptions. For instance, recovered stolen vehicles are often

declared a total loss regardless of the actual damage. Rebuilders and Recyclers purchase these vehicles at auction with intentions to rebuild them or dismantle them for parts.

**Salvage Title**

A Salvage Title is issued on a vehicle damaged to the extent that the cost of repairing the vehicle exceeds approximately 75% of its pre-damage value. This damage threshold may vary by state. Some states treat Junk titles the same as Salvage but the majority use this title to indicate that a vehicle is not road worthy and cannot be titled again in that state. The following eleven states also use Salvage titles to identify stolen vehicles - AZ, FL, GA, IL, MD, MN, NJ, NM, NY, OK and OR.

**Title Issued**

A state issues a title to provide a vehicle owner with proof of ownership. Each title has a unique number. Each title or registration record on a CARFAX report does not necessarily indicate a change in ownership. In Canada, a registration and bill of sale are used as proof of ownership.

**Total Loss Vehicle**

An insurance or fleet company declares a vehicle a total loss when a claim exceeds approximately 75% of its pre-damage value or if the vehicle is stolen and not recovered. This damage threshold varies by company. These companies typically take possession and obtain the title. Not all total loss vehicles result in a DMV-reported branded title. This may occur when an insurance company's definition of a total loss is different than the state DMV's definition for a branded title or when the owner of the vehicle is a self-insured company, like a fleet or rental company.

**Follow Us:**  [facebook.com/CARFAX](https://www.facebook.com/CARFAX)  [@CARFAXinc](https://twitter.com/CARFAXinc)  [About CARFAX](#)

CARFAX DEPENDS ON ITS SOURCES FOR THE ACCURACY AND RELIABILITY OF ITS INFORMATION. THEREFORE, NO RESPONSIBILITY IS ASSUMED BY CARFAX OR ITS AGENTS FOR ERRORS OR OMISSIONS IN THIS REPORT. CARFAX FURTHER EXPRESSLY DISCLAIMS ALL WARRANTIES, EXPRESS OR IMPLIED, INCLUDING ANY IMPLIED WARRANTIES OF MERCHANTABILITY OR FITNESS FOR A PARTICULAR PURPOSE.

© 2023 CARFAX, Inc., part of S&P Global. All rights reserved.  
6/22/23 3:08:54 PM (CDT)