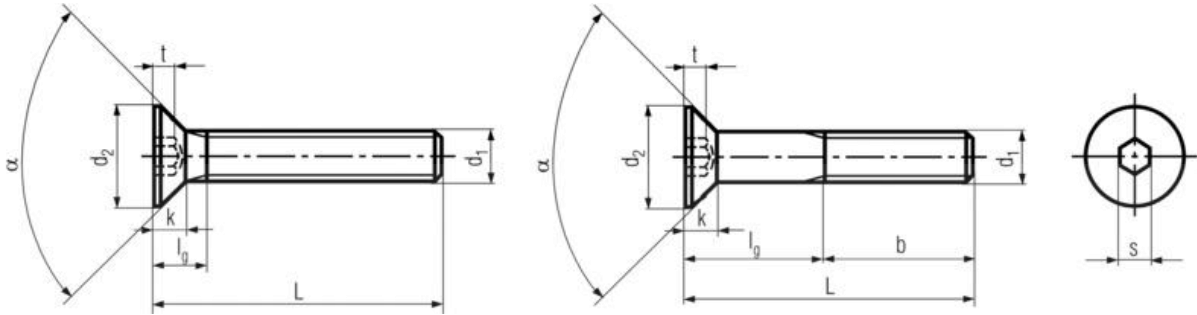


DIN 7991 - Flat Socket Head Cap Screws



All measurements in millimeters (mm)

| d_1 | b | t | s | $k \text{ max}$ | d_2 |
|-------|-----|------|-----|-----------------|-------|
| M3 | 12 | 1.2 | 2 | 1.7 | 6 |
| M4 | 14 | 1.8 | 2.5 | 2.3 | 8 |
| M5 | 16 | 2.3 | 3 | 2.8 | 10 |
| M6 | 18 | 2.5 | 4 | 3.3 | 12 |
| M8 | 22 | 3.5 | 5 | 4.4 | 16 |
| M10 | 26 | 4.4 | 6 | 5.5 | 20 |
| M12 | 30 | 4.6 | 8 | 6.5 | 24 |
| M16 | 38 | 5.3 | 10 | 7.5 | 30 |
| M20 | 46 | 5.9 | 12 | 8.5 | 36 |
| M24 | 54 | 10.3 | 14 | 14 | 39 |

FOR INFORMATION PURPOSES ONLY

©S&G Global Fastening Solutions
 LN Road ,Vadodara (Gujarat) India-390001
 (M) : 8460616032/9601299511
 (E) : info@sgglobal.in
 www.sgglobal.in

Our Global Presence
 India | China | Canada